



CHALMERS
UNIVERSITY OF TECHNOLOGY

Pulsed electron spin resonance of an organic microcrystal by dispersive readout

Downloaded from: <https://research.chalmers.se>, 2021-08-31 11:19 UTC

Citation for the original published paper (version of record):

Keyser, A., Burnett, J., Kubatkin, S. et al (2020)

Pulsed electron spin resonance of an organic microcrystal by dispersive readout

Journal of Magnetic Resonance, 321

<http://dx.doi.org/10.1016/j.jmr.2020.106853>

N.B. When citing this work, cite the original published paper.



Pulsed electron spin resonance of an organic microcrystal by dispersive readout



Ailsa K.V. Keyser^{a,b,*}, Jonathan J. Burnett^a, Sergey E. Kubatkin^c, Andrey V. Danilov^c, Mark Oxborrow^b, Sebastian E. de Graaf^a, Tobias Lindström^a

^a National Physical Laboratory, Hampton Road, Teddington TW11 0LW, UK

^b Imperial College London, Exhibition Road, SW7 2AZ, UK

^c Department of Microtechnology and Nanoscience, MC2, Chalmers University of Technology, SE-41296 Gothenburg, Sweden

ARTICLE INFO

Article history:

Received 4 September 2020

Revised 14 October 2020

Accepted 15 October 2020

Available online 20 October 2020

Keywords:

High sensitivity ESR for small volumes

Dispersive readout

Superconducting resonators

ABSTRACT

We establish a testbed system for the development of high-sensitivity Electron Spin Resonance (ESR) techniques for small samples at cryogenic temperatures. Our system consists of a NbN thin-film planar superconducting microresonator designed to have a concentrated mode volume to couple to a small amount of paramagnetic material, and to be resilient to magnetic fields of up to 400 mT. At 65 mK we measure high-cooperativity coupling ($C \approx 19$) to an organic radical microcrystal containing 10^{12} spins in a pico-litre volume. We detect the spin-lattice decoherence rate via the dispersive frequency shift of the resonator. Techniques such as these could be suitable for applications in quantum information as well as for pulsed ESR interrogation of very few spins to provide insights into the surface chemistry of, for example, the material defects in superconducting quantum processors.

© 2020 Elsevier Inc. All rights reserved.

1. Introduction

Electron Spin Resonance (ESR) is an essential technique for characterising a wide range of paramagnetic materials, but its application to the study of micro-scale samples, as required for many emerging technologies, is beyond the reach of most commercially available systems [1]. A conventional commercial ESR spectrometer [2] typically has a three-dimensional cavity with a low $Q \sim 10^3$ factor and a large mode volume of $\sim 100 \text{ mm}^3$ through which microwave energy is weakly coupled to the (thereby necessarily large number of) electron spins [3]. ESR spectrometers which use as the cavity a superconducting planar microresonator benefit from their combination of higher Q factors $> 10^5$ and smaller mode volumes $\sim 10^{-4} \text{ mm}^3$, as are required to detect small volumes of paramagnetic material [4,5].

Developments in high-sensitivity ESR have occurred in tandem with those made by quantum engineers intent on measuring weak microwave signals from superconducting qubits [6]. Resulting milestones in this new regime of ESR equipment include quantum-limited Josephson Parametric Amplifiers which add no more than the minimum number of noise photons to the signal

from the electron spins [7,8]; Arbitrary Waveform Generators (AWGs) able to shape pulses at picosecond resolution; and high Q superconducting planar microresonators resilient to $> 1 \text{ T}$ magnetic field and capable of producing a uniquely small mode volume for more sensitive ESR experiments at cryogenic temperatures [3,9,10]. So far, a combination of such devices has pushed absolute ESR single-shot spin sensitivity to the inductive-detection of fewer than 10^3 spins [11,12].

As such, it is now becoming possible to measure ultra-small volumes of paramagnetic samples for the first time [13]. This will enable, for instance, the characterisation and chemical identification of individual nanoscale objects, or small spin clusters where anisotropy in the spin Hamiltonian otherwise makes characterisation of the material via large mode volume detectors challenging. Such proof-of-principle experiments also constitute an essential route towards unlocking the use of large numbers of self-assembled molecular spin clusters as high coherence elements for quantum computing [14,15].

Most conventional ESR methodology pertains to the regime of a large number $N > 10^{13}$ of electron spins from which the goal is spin detection and characterisation [1]. Our resonator is for use in the contrasting limit of ESR for small volumes of paramagnetic material. Resonant detection of fewer than 100 spins has recently been achieved [11,12] using high Q superconducting resonators, however, detection is limited to spins with coherence times well

* Corresponding author at: National Physical Laboratory, Hampton Road, Teddington TW11 0LW, UK.

E-mail address: akk916@ic.ac.uk (A.K.V. Keyser).

exceeding the cavity lifetime. The opposite limit of ESR for materials characterisation of a small number of spins with poor coherence times has yet to be demonstrated, and new approaches are needed to address this challenge. Further to this, quantum computing applications using electron spins would require detection of the quantum state of the spins. For this purpose, care must be taken to avoid significant coherent energy exchange between spins and the interrogating cavity. This back-action means that readout of the cavity probe can induce a change in the projected spin states, whereas an ideal repeated measurement should not disturb the states of the measured observable, a concept known as a quantum non-demolition (QND) measurement. To this end new protocols need to be developed for this regime of ESR measurement of small numbers of spins, even with short coherence times, and for quantum computing applications, in order to fully exploit the potential of coherent information storage in spin ensembles. We lastly highlight that the readout of quantum states from high density spin ensembles allows the coupling to be enhanced by factor \sqrt{N} whilst the small volume is beneficial in reducing field inhomogeneity and so implementing coherent control pulses.

Here we demonstrate the use of dispersive readout, a technique commonly used for QND measurements of qubits [16], which allows the resonator to act as a probe of the spin polarisation when the two systems are detuned. In pulsed ESR it has been previously deployed for measurements of macroscopic paramagnetic samples, including Nitrogen-Vacancy (NV) [17,18] or substitutional Nitrogen centres in diamond [19], ferromagnetic resonance [20] and the dispersive detection of NV centres via a transmon qubit [21]. We apply dispersive readout instead to a pico-litre volume of paramagnetic material: a single microcrystal of an organic radical [22] which we characterise here at mK temperatures. The necessarily small mode volume is achieved with a specially-designed high Q superconducting resonator, which can be magnetically coupled to any small solid-state sample (here the $70 \times 6 \times 6 \mu\text{m}^3$ microcrystal) as long as it is carefully aligned within the resonator mode volume.

We present continuous wave (CW) data characterising the high-cooperativity resonator-spin coupling, and use pulsed microwave measurements to measure the spin-lattice decoherence time T_1 dispersively. Whereas previous dispersive readout ESR measurements [17–19] used the resonator to both excite the spins and detect their response, we have two separate microwave lines: one to excite the spins and another to readout the resonator. This enables us to probe the resonator independently of the spin ensemble. While this additional freedom is unusual in ESR experiments, it allows us to explore the resonator dynamics as the spins decay to their ground state.

2. Materials & methods

2.1. Microresonator setup

Central to the spectrometer is a co-planar waveguide resonator, fabricated from a film of superconducting NbN sputtered onto a sapphire substrate and patterned using electron beam lithography into the ‘fractal’ design shown in Fig. 1 (a) [23]. The thicknesses of the NbN and sapphire are 140 nm and 330 nm respectively. The superconductor is $2 \mu\text{m}$ wide and separated by $2 \mu\text{m}$ at the resonator magnetic anti-node meaning that the microwave field B_1 is confined to a micron-scale mode volume as shown in the COMSOL simulation in Fig. 1 (d). The resonator is designed to be resilient to magnetic fields so that its high Q is maintained up to $B_0 \sim 400$ mT. It has the added benefit of a low flux focussing factor, meaning that orientation of B_0 must be broadly within the plane of the superconducting film of the resonator but time-consuming precise align-

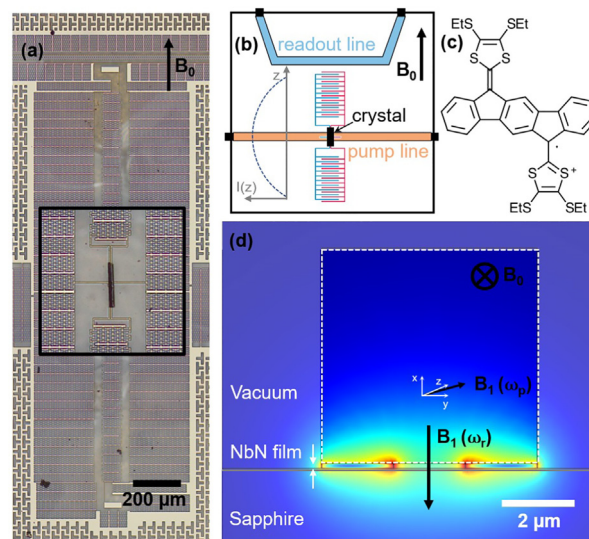


Fig. 1. (a) Details of the fractal resonator design showing the crystal alignment (inset panel is double magnification compared with the rest of the image) and (b) the layout of the chip with a schematic of the resonator and a (co-planar) transmission line used to readout the resonator (coloured blue) and a pump line (coloured orange) on the PCB $330 \mu\text{m}$ below the plane of the resonator. A single (black) microcrystal consisting of the molecular radical shown in (c) is aligned at the magnetic anti-node of the resonator mode as shown by the microwave current distribution $I(z)$ along the resonator length $z \parallel B_0$. The magnitude of the microwave magnetic field $B_1(\omega_r)$ generated by the resonator, in the plane normal to the z -axis, is shown by colour gradient in the COMSOL simulation (d), and the approximate contour of the microcrystal has been highlighted with a white dashed line. The microwave magnetic field $B_1(\omega_p)$ generated by the pump line is shown at some offset angle from z because of flux-focussing effects. In each figure the B_0 field orientation is displayed in the upper right corner. (For interpretation of the references to colour in this figure legend, the reader is referred to the web version of this article.)

ment is unnecessary. The resonator is capacitively coupled to a microwave feedline Fig. 1 (b); the transmission across this line S_{21} is measured to read out the amplitude $|S_{21}|$ and phase $\phi(S_{21})$. The resonator thereby acts as a very narrow notch filter with poor coupling to the spins when off-resonant.

The spin sample is aligned on the resonator surface as shown in the image in Fig. 1 (a) at the magnetic anti-node of the B_1 field. Precise alignment is achieved with the quartz tip of a micro-manipulator and the crystal is secured in place with a small amount of ESR-silent, cryogenic vacuum grease (Apiezon N-type). The sample is mounted on a printed circuit board (PCB) where a second microwave feedline (co-planar waveguide type of central strip width $290 \mu\text{m}$) lies underneath the resonator chip (therefore $330 \mu\text{m}$ below the superconducting film) as demonstrated schematically in Fig. 1(b). This ‘pump’ line serves as a second means of inputting microwave energy to the spin sample on the resonator.

The PCB is mounted in a thermally anchored Cu sample holder which is cooled to 65 mK, the base temperature of our dilution refrigerator. Frequency-swept $S_{21}(\omega)$ transmission measurements are obtained using a vector network analyser (VNA) and a standard fit to the resonator lineshape [24] is used to extract the resonance frequency $\omega_0/2\pi = 5.51$ GHz and quality factor $Q = 3.3 \times 10^4$ at 198 mT [25].

The spin ensemble used in this work consists of a single microcrystal of the organic radical cation shown in Fig. 1(c) with a PF_6^- anion, which can be formed in good yield from electrocrystallisation in PhCl with a Bu_4NPF_6 electrolyte [22]. The spin Hamiltonian for this system is nearly isotropic $g \sim 2$, and each molecule contains a single unpaired electron $S = \frac{1}{2}$ corresponding to a single spin-allowed transition between the $m_s = \pm \frac{1}{2}$ states.

For ESR purposes, this spin sample is unusual in having a narrow linewidth (2.4 MHz full width at half maximum (FWHM) measured at $T = 300$ mK) in spite of its high spin density [22]. This is attributed to the delocalisation of the unpaired electron across the extended π -system of the radical which means that electron–electron interactions are minimised, together with low inhomogeneous broadening because of the crystalline spin environment.

2.2. Microwave circuitry

An overview of the spectrometer setup is shown in Fig. 2 in which the room temperature microwave electronics are connected by a heavily attenuated input line to the readout and pump lines on the resonator chip. A heterodyne circuit is used to detect the amplitude and phase response of resonator at the readout frequency ω_r . Separately, high power pulses are generated at frequency ω_p to probe the spin ensemble.

A microwave generator outputs a local oscillator (LO) signal which is up-converted by 40 MHz to ω_r at a single sideband mixer using a two-channel lock-in amplifier (Zurich Instruments HF2LI). The phase of the output from the lock-in is tuned to select exclusively the lower sideband from the mixer (so that any leakage in the upper sideband is remote from the spins which are at lower frequencies). This input tone receives 60 dB of attenuation before it reaches the sample holder. The transmission signal from the microwave readout line is filtered and then amplified at 4 K by a high-electron-mobility-transistor (HEMT) low noise amplifier. An isolator protects the sample from amplifier thermal radiation and signal reflections. Further amplification at room temperature precedes demodulation at the original LO frequency to produce a down-converted signal at 40 MHz which is digitised, filtered and amplified at the lock-in amplifier. The resulting $I(t)$ and $Q(t)$ quadratures are acquired from an oscilloscope (Keysight model MSO-3014A), and the resonator transmission is then encapsulated in $S_{21}(t) = I(t) + iQ(t)$.

A second microwave generator produces a continuous signal at ω_p . An AWG (Tektronix 5014C) with a nanosecond rise time is used to drive an IQ mixer and thereby modulate this generator output into arbitrary shaped pulses. These pulses are used to manipulate the spins temporally and independently of the resonator detection

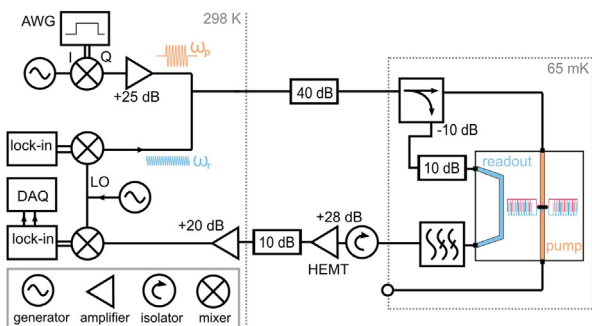


Fig. 2. Schematic of equipment: Heterodyne measurements of the resonator S_{21} are implemented using a continuous wave microwave generator input to a single sideband mixer biased using a two-channel lock-in amplifier (each channel depicted as a separate box) to generate a single up-converted sideband at ω_r . The signal passes along the heavily attenuated fridge input line so that it is thermalised to the 65 mK base temperature stage. It passes along a transmission line on the chip via a -10 dB coupler and further 10 dB of attenuation. The transmission from the chip is filtered and amplified at 4 K and at room temperature before being demodulated by an IQ mixer and the second lock-in amplifier channel, from which data acquisition (DAQ) of the $I(t)$ and $Q(t)$ signals occurs. A second microwave generator produces a higher power tone of frequency ω_p shaped into pulses via an IQ mixer driven with the analog output of an AWG. The higher power used for ω_p means that it generates a significant radial B_1 field at the crystal when it passes along the pump line on the PCB.

circuit. The spin transition frequency is designated ω_s ; pumping the spins resonantly corresponds to $\omega_p = \omega_s$. The pulses are amplified at room temperature, resulting in a power difference at the fridge input between the ω_r and ω_p signals in excess of 55 dB.

The directional coupler immediately prior to the sample holder diverts $\frac{9}{10}$ of the signal along the pump line. The B_1 field resulting from the pump line has a radial dependence and moreover the flux-focussing effect of the patterned superconducting film distorts the field such that there are components from the pump line which are perpendicular to the B_0 as highlighted in Fig. 1 (d). These components are necessary to drive the spins at the Zeeman transition. The magnitude of the field from the pump line is much smaller than that generated by the resonator if the two are compared at resonance ω_0 . However the pump line can be used to probe the spins when the resonator is significantly detuned and in this situation the resonator field resulting from probing the resonator has a negligible impact upon the spins.

2.3. Dispersive readout

In advanced superconducting qubit architectures, dispersive readout is the standard technique for detecting the qubit state via a transmission measurement of the resonator [6,26,27]. When the two systems are detuned from each other by frequency $\Delta/2\pi$ which is greater than both the qubit-cavity coupling g_k and the cavity decay rate κ , $\Delta \gg \{g_k, \kappa\}$, they reach the so-called ‘dispersive regime’ in which the qubit causes a shift in resonator frequency which is dependent on the qubit state *without* a direct exchange of energy between the two systems. This is a QND measurement because the outcome of the measurement is nominally unaltered by the measurement itself. A dispersive frequency shift of $\chi = g_k^2/\Delta$ will be observed so long as the number of photons in the resonator does not exceed the limit set by the critical photon number which scales with the square of the detuning and with the inverse square of the cavity-qubit coupling [6]. This threshold is not the same for an inhomogeneous ensemble of spins, where there is energy diffusion which requires more energy to be pumped into the system before saturation is observed. However, the same principle of dispersive readout in our system means that an S_{21} measurement of the resonator can be used to infer the state and dynamics of the spin ensemble without interfering with the spins themselves. Even so, if the energy used to probe the resonator is too high, the resulting back-action interference with the spins reduces their spin–lattice coherence time [17].

Whereas the Jaynes-Cummings Hamiltonian models the single qubit (or spin)-resonator mode interaction described above [28], for our system this must be extended to encompass an ensemble of N spins coupled to the resonator mode, which is treated by the Tavis-Cummings Hamiltonian [29,30]. Further terms are added to model a pulse of frequency ω_p and amplitude $\eta(t)$ driving the spins. Each spin is described by a frequency ω_k and the Pauli operators $\{\sigma_k^{\pm}, \sigma_k^z\}$; and $a(a^\dagger)$ is the standard annihilation (creation) operator for the cavity mode. It is now the ensemble coupling $g_{\text{ens}} = \sqrt{\sum_k^N g_k^2}$, and the spins’ mean transition frequency ω_s which must be considered. The dispersive approximation [31,32] applied to the Tavis-Cummings model [33] yields a Hamiltonian for the system which is valid if $\Delta = |\omega_0 - \omega_s| \gg \{g_{\text{ens}}, \kappa\}$.

$$H = \hbar a^\dagger a \left(\omega_r + \sum_k^N \frac{g_k^2 \sigma_k^z}{\Delta} \right) + \frac{\hbar}{2} \sum_k^N \left(\omega_k + \frac{g_k^2}{\Delta} \right) \sigma_k^z - i(\eta(t)a^\dagger e^{-i\omega_p t} - \eta(t)^* a e^{i\omega_p t}) \quad (1)$$

From the first term it can be seen that the resonator frequency acquires a shift which is dependent upon the average spin polarisation $\langle \sum_k \sigma_k^z \rangle$. Evaluating the average spin polarisation in response to

the pulsed drive requires numerical evaluation of the cavity-modified Bloch equations [34].

In measurements below, we detect changes to the phase of the resonator transmission in response to the changing spin polarisation in two contrasting situations: firstly a ‘linear’ regime, where the phase of the resonator transmission is proportional to its frequency shift and thereby the spin polarisation; and secondly a ‘non-linear’ regime where a greater dispersive shift means that the measurement of the phase cannot be used to directly infer the resonator frequency shift.

3. Experimental results

3.1. Continuous Wave (CW) ESR

To characterise the coupling between the resonator and the microcrystal, the VNA is connected across the fridge input line and the room temperature amplifier output in Fig. 2. The microwave transmission through the readout line is measured as the magnetic field B_0 is swept to tune the Zeeman transition of the microcrystal spins ω_s through the resonator frequency ω_0 .

We use a probing microwave power of -90 dBm which corresponds to 10^5 microwave photons in the resonator. The resulting plot in Fig. 3(a) displays the avoided crossing which is a signature of coherent coupling between the resonator and the spin ensemble. The spectrum can be calculated in full using the input-output formalism [35]

$$|S_{21}|^2 = \left| 1 + \frac{\kappa_c}{i(\omega - \omega_0) - (\kappa_c + \kappa_i) + \left(\frac{g_{\text{ens}}^2}{i(\omega - \omega_s) - \gamma_s^*/2} \right)} \right|^2 \quad (2)$$

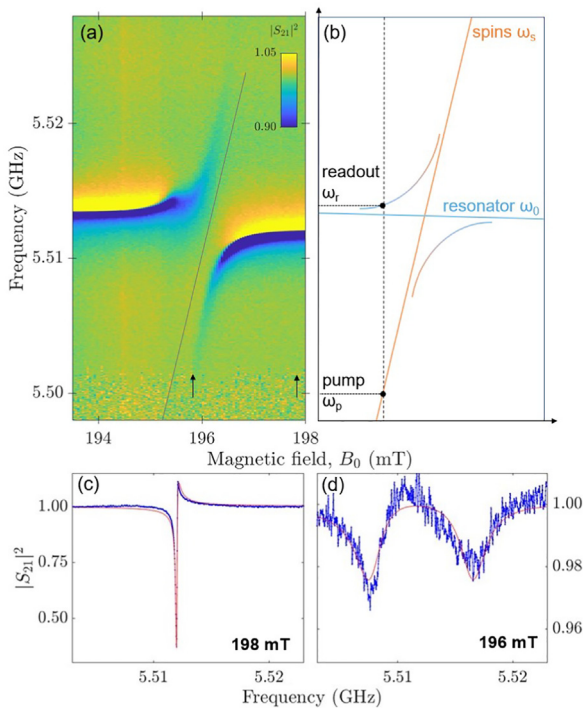


Fig. 3. (a) The CW transmission as a function of magnetic field $|S_{21}(\omega, B_0)|^2$ which displays an avoided crossing where the spins are co-resonant with the resonator and (b) schematically to highlight the pump and readout tones used to interact with the spins and resonator in subsequent pulsed measurements. Line-cuts from (a) show the transmission of the uncoupled resonator at 198 mT (c) with the fit (red) to extract the total cavity decay rate $\kappa/2\pi = (170 \pm 4)$ kHz; and (d) the double-peaked hybrid spectrum at 196 mT and the fit (red) to Eq. (2) to extract $g_{\text{ens}}/2\pi = (4.52 \pm 0.05)$ MHz. (For interpretation of the references to colour in this figure legend, the reader is referred to the web version of this article.)

for a spin ensemble of linewidth γ_s^* where the individual coupling to the spins $g_k \propto B_1$ [36]. Here κ_i and κ_c are the internal and external cavity decay rates respectively. The $|S_{21}|^2$ of the resonator transmission when detuned from the spins is shown in Fig. 3(c) and from the fit [24] we extract the cavity dissipation rate $\kappa = \kappa_i + \kappa_c = \omega_0/Q = 2\pi \times (170 \pm 4)$ kHz. This value is then fixed to fit Eq. (2) to the avoided crossing data at $B_0 = 196$ mT when the resonator and spins are resonant in Fig. 3(d) and so obtain $g_{\text{ens}}/2\pi = (4.52 \pm 0.05)$ MHz. A simulation of the expected resonator-spin coupling yields $g_{\text{ens}}/2\pi = 8$ MHz (average coupling strength per spin $g_0 = 5$ Hz) assuming that the crystal is a cuboid and sits almost flush with the resonator surface as depicted in Fig. 1(d). In fact the crystal is not perfectly cuboid-shaped, and is likely separated from the resonator surface by a small amount of vacuum grease both of which result in a small overestimation of the measured value.

The linewidth is more reliably extracted from the data in Fig. 4 (b) as $\gamma_s^*/2\pi = (6.2 \pm 0.1)$ MHz; the coupling strength and linewidth are comparable and both exceed the resonator dissipation rate. From this we can evaluate the cooperativity $C = g_{\text{ens}}^2/\kappa\gamma_s^* \sim 19 > 1$ i.e. we have high-cooperativity but we do not obtain strong coupling, which requires $g_{\text{ens}} > \{\kappa, \gamma_s^*\}$.

3.2. Pulsed ESR: Dispersive measurements in the linear regime

The VNA measurement characterises the resonator-ensemble interaction as B_0 is incremented. Here we set B_0 to 193.5 mT such that the resonator-spin detuning is $\Delta/2\pi = 76$ MHz $\gg \{g_{\text{ens}}, \kappa\}$. At this point, the resonator frequency shifts a small amount depending on the average spin polarisation. Because the phase of the resonator transmission is proportional to its frequency shift, we refer to this as the ‘linear’ regime. In a traditional setup, the detuning would remove the means of exciting the spins whereas here the pump line allows us that freedom.

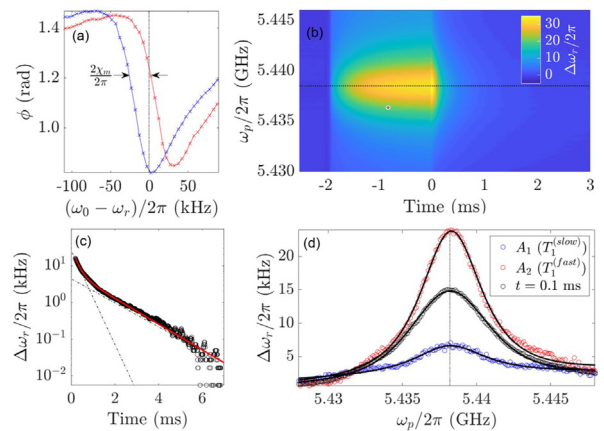


Fig. 4. At $B_0 = 193.5$ mT (a) the resonator $\phi(S_{21})$ undergoes a dispersive shift in response to a high power CW pump tone applied at $\omega_p = \omega_s$ (blue trace) relative to the $\phi(S_{21})$ under a non-resonant pump tone at $\omega_p = \omega_s - 2\pi \times 10$ MHz (red trace) resulting in a measured shift of $\chi_m/2\pi = 15$ kHz where a sensible selection for the probe frequency ω_r is marked with a dashed vertical line and (b) the frequency shift of the resonator $\Delta\omega_r$ in response to a 2 ms pulse applied at frequencies across the range $\omega_s - 10$ MHz $< \omega_p < \omega_s + 10$ MHz. A bi-exponential fit to the saturation recovery at $\omega_p = \omega_s$ after the pulse has terminated (c) extracts the time constants $T_1^{(\text{fast})} = (0.23 \pm 0.04)$ ms and $T_1^{(\text{slow})} = (1.24 \pm 0.05)$ ms. The variation in the amplitude A_1 and A_2 of the two exponential terms as a function of ω_p reveals (d) q-Gaussian and Lorentzian terms from which the linewidths $\gamma_q^{(\text{fast})}/2\pi = 4.9$ MHz ($q = 1.7$) and $\gamma_q^{(\text{slow})}/2\pi = 6.2$ MHz ($q = 2.1$) are extracted; a cross section from (b) at 0.1 ms has linewidth $\gamma_s^*/2\pi = 6.2$ MHz ($q = 1.4$). (For interpretation of the references to colour in this figure legend, the reader is referred to the web version of this article.)

The microwave circuitry described in Fig. 2 supplies two microwave tones. A CW low power tone is applied to the resonator at frequency ω_r whilst simultaneously a CW high power pump tone is applied either at ω_s or $\omega_s - 2\pi \times 10$ MHz. When the pump tone is resonant with the spins, it diminishes their polarisation and causes a dispersive shift in the resonator frequency. As shown in Fig. 4(a), a frequency shift of $\chi_m = 2\pi \times 15$ kHz is observed in the phase response of the resonator when the pump is resonant with the spins (blue trace) as compared with the non-resonant pump (red trace). This is less than the maximum $\chi = g_{\text{ens}}^2/\Delta = 2\pi \times 270$ kHz [37], which suggests that the pump tone is not able to fully saturate the spins and therefore they do not exert the maximum frequency shift upon the resonator. The measurement in Fig. 4(a) is a calibration step, which allows us to infer the frequency shift of the resonator from the phase of the S_{21} . As with qubit measurements, the readout frequency ω_r (marked by vertical dashed line) is chosen at the point where the dependence of the $\phi(S_{21})$ upon the spins' state is at a maximum [31]. It is important that we know the gradient of the phase lineshape, and that there is a linear relation between the resonator phase behaviour and its frequency shift $\Delta\omega_r$ at the chosen readout frequency.

Using this readout frequency, a pulsed measurement is obtained whereby a high-amplitude 2 ms pulse drives the resonant spin transition and a weak readout tone then detects the return to equilibrium polarisation. The pump pulse is swept across the spin linewidth in the range $\omega_p = \omega_s \pm 2\pi \times 10$ MHz. The resulting spectral density plot in Fig. 4(b) shows the temporal response of $\Delta\omega_r$ to the saturating pulse as a function of ω_p . A cross-section in Fig. 4(d) at 0.1 ms after the pulse terminates reveals the spin linewidth to which we find good agreement with a pseudo-Gaussian distribution fit [38] of FWHM $2\pi \times (6.2 \pm 0.1)$ MHz ($q = 1.40$). The dimensionless parameter q describes the lineshape: $q \rightarrow 1$ ($q = 2$) obtains a pure Gaussian (Lorentzian) distribution.

The decay of the polarisation is examined by fitting $\Delta\omega_r(t)$ after the saturating pulse terminates and the spin polarisation is left to return to equilibrium. The decay at $\omega_p = \omega_s$ is shown in Fig. 4(c); it is bi-exponential $A_1 \exp(-t/T_1^{\text{fast}}) + A_2 \exp(-t/T_1^{\text{slow}})$ with time constants (0.23 ± 0.04) ms and (1.24 ± 0.05) ms.

By fitting the polarisation decay to a bi-exponential law at different ω_p in Fig. 4(d) we observe that the amplitude of the decay terms $A_1(\omega_p)$ and $A_2(\omega_p)$ follow two different distributions. For the fast T_1 the linewidth has FWHM (4.9 ± 0.2) MHz ($q = 1.7$), whereas for the slow T_1 there is FWHM of (6.2 ± 0.5) MHz with $q = 2.0$ and thus the distribution is almost Lorentzian. The different lineshape properties could suggest that the two relaxation times originate from different paramagnetic species [19]. However the likely spin contaminant from within the material of the resonator has an entirely different linewidth [39], suggesting that the two observed relaxation times may instead arise from differences within the crystal itself.

3.3. Pulsed ESR: Dispersive measurements in the non-linear regime

Tuning the field to $B_0 = 195$ mT diminishes the resonator-spin detuning to $\Delta/2\pi = 32$ MHz. A higher power ω_p tone is also used; the combined effect is that the maximum possible shift increases $\chi/2\pi = 630$ kHz. Again, due to insufficient power to saturate the spins the observed shift is $\chi_m/2\pi = 120$ kHz. As can be seen in the calibration measurement Fig. 5(b) this means that there is no longer a region where a readout frequency ω_r can be selected such that the change in phase of resonator transmission is linearly proportional to its frequency shift, which we refer to as 'non-linear' in terms of the resonator readout. Being able to use the resonator as a probe to the spins in spite of this increases the range of dispersive measurements which can be taken.

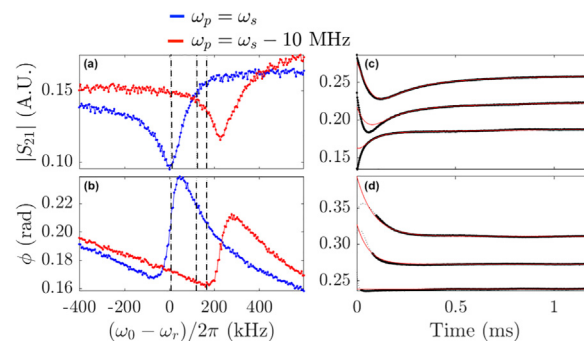


Fig. 5. At 195 mT the resonator mode dispersively shifts by 230 kHz as shown in amplitude (a) and phase (b) data when the pump tone is resonant with the spins $\omega_p = \omega_s = 2\pi \times 5.48$ GHz (blue) compared to when the pump tone is non-resonant (red). When the readout frequency ω_r is fixed to the three values marked by vertical dashed lines in (a) and (b), and the 2 ms pump pulse is set to $\omega_p = \omega_s$, the spin dynamics can be inferred via the amplitude (c) and phase (d) of the resonator S_{21} as the system equilibrates (traces offset for clarity). The amplitude fit at all the measured ω_r extracts $T_1^{\text{slow}} = (1.0 \pm 0.2)$ ms and $T_1^{\text{fast}} = (0.11 \pm 0.05)$ ms. The latter portion of the phase decay tracks a linear region of the resonator lineshape in phase (b) and so a straightforward bi-exponential fit (red) is enforced in (d) using the same time constants. (For interpretation of the references to colour in this figure legend, the reader is referred to the web version of this article.)

Pulsed measurements in the non-linear regime were acquired as before by applying a high-power 2 ms saturating pulse at $\omega_p = \omega_s$ and detecting the decay in the resonator $\phi(S_{21})$ Fig. 5(d) and $|S_{21}|$ Fig. 5(c). To fit the data, Eq. (2) is modified to incorporate the time-dependence of the ensemble polarisation after the saturating pulse has terminated into the coupling term, where P is a fit parameter to account for the incomplete polarisation of the ensemble

$$G(t) = g_{\text{ens}} P \left(1 - A_1 e^{-t/T_1^{\text{fast}}} - A_2 e^{-t/T_1^{\text{slow}}} \right). \quad (3)$$

Inserting this expression into Eq. (2) gives a good fit to $|S_{21}(t)|$, examples of which are shown in Fig. 5(c) and we extract $T_1^{\text{slow}} = (1.0 \pm 0.2)$ ms and $T_1^{\text{fast}} = (0.11 \pm 0.05)$ ms which are in reasonable agreement with the values obtained from the linear regime data. Larger uncertainty is to be expected given the increased number of variables in the fit. Towards the end of the phase decay the resonator dispersive shift will be so sufficiently diminished as to 're-gain' the linear regime; therefore in Fig. 5(d) a bi-exponential fit is enforced to the tail of the decay using the T_1 values from Fig. 5(c).

Even at zero detuning, the spin-lattice relaxation rate 500 kHz is far greater than the Purcell rate for cavity-enhanced spontaneous emission 4 MHz i.e. the system is far from being limited by Purcell emission in this case.

4. Conclusion

We have demonstrated a setup and methodology for dispersive pulsed ESR of a pico-litre organic crystal using a superconducting resonator with high Q and small mode volume. The 4.5 MHz resonator-spin coupling causes the resonator frequency ω_0 to dispersively shift in response to the spin polarisation. A separate pump line enables spin excitation irrespective of the detuning from the resonator frequency. Pulsed ESR saturation recovery measurements to detect the T_1 time of the sample made use of the two-tone dispersive readout. This allowed us to monitor the spin dynamics when the resonator-spin detuning is large (whereas no such detuning is available in conventional ESR), and there is minimal coupling between the spins and the B_1 field of the resonator itself. We show that saturation recovery measurements are consistent whether the resonator frequency is shifted within or beyond

the linear regime, increasing the range of detuning which can be investigated with this method.

The establishment of this measurement protocol brings an additional degree of freedom to ESR measurements: the resonator is a probe of the spin dynamics even when the two are substantially detuned from each other. Not only this but the minimisation of back-action upon the spins, which is inherent to a dispersive measurement, creates the possibility of using this technique to readout the quantum coherent states of the spin ensemble when executing quantum information protocols.

Declaration of Competing Interest

The authors declare that they have no known competing financial interests or personal relationships that could have appeared to influence the work reported in this paper.

Acknowledgements

The authors thank Mogens Brøndsted Nielsen and Christian R. Parker at the University of Copenhagen for providing a sample of the microcrystal used in this work, and Alexander Tzalenchuk for helpful suggestions and comments. This project has received funding from the UK department for Business, Energy and Industrial Strategy through the UK national quantum technologies program. A.K. and M.O. gratefully acknowledge financial support from the EPSRC Training and Skills Hub in Quantum Systems Engineering EP/P510257/1 and the EPSRC Manufacturing Research Fellowship EP/K037390/1 respectively. S.K. and A.D. acknowledge support from the Swedish Research Council (VR) (grant agreements 2016-04828 and 2019-05480), EU H2020 European Microkelvin Platform (grant agreement 824109).

References

- [1] A. Schweiger, G. Jeschke, *Principles of Pulse Electron Paramagnetic Resonance*, Oxford University Press, 2001.
- [2] E. Abe, H. Wu, A. Ardavan, J.J. Morton, Electron spin ensemble strongly coupled to a three-dimensional microwave cavity, *Appl. Phys. Lett.* 98 (25) (2011) 7–10, <https://doi.org/10.1063/1.3601930>.
- [3] J.J. Morton, B. Bertet, Storing quantum information in spins and high-sensitivity ESR, *J. Magn. Reson.* 287 (2018) 128–139, <https://doi.org/10.1016/j.jmr.2017.11.015>.
- [4] A. Blank, E. Dikarov, R. Shklyar, Y. Twig, Induction-detection electron spin resonance with sensitivity of 1000 spins: En route to scalable quantum computations, *Phys. Lett. Sect. A Gen. At. Solid State Phys.* 377 (31–33) (2013) 1937–1942, <https://doi.org/10.1016/j.physleta.2013.05.025>.
- [5] A. Bienfait, *Magnetic Resonance with Quantum Microwaves*, Ph.D. thesis, L'Universite Paris-Saclay, 2016.
- [6] P. Krantz, M. Kjaergaard, F. Yan, T.P. Orlando, S. Gustavsson, W.D. Oliver, A quantum engineer's guide to superconducting qubits, *Appl. Phys. Rev.* 6 (2) (2019) 021318, <https://doi.org/10.1063/1.5089550>.
- [7] O. Yaakobi, L. Friedland, C. Macklin, I. Siddiqi, Parametric amplification in Josephson junction embedded transmission lines, *Phys. Rev. B* 87 (14) (2013) 1–9, <https://doi.org/10.1103/PhysRevB.87.144301>.
- [8] X. Zhou, V. Schmitt, P. Bertet, D. Vion, W. Wustmann, V. Shumeiko, D. Esteve, High-gain weakly nonlinear flux-modulated Josephson parametric amplifier using a SQUID array, *Phys. Rev. B* 89 (21) (2014) 1–6, <https://doi.org/10.1103/PhysRevB.89.214517>.
- [9] S. Mahashabde, E. Otto, D. Montemurro, S. de Graaf, S. Kubatkin, A. Danilov, Fast tunable high Q-factor superconducting microwave resonators, *Phys. Rev. Appl.* 10 (1) (2020) 1–7, <https://doi.org/10.1103/PhysRevApplied.14.044040>.
- [10] N. Samkharadze, A. Bruno, P. Scarlino, G. Zheng, D.P. Divincenzo, L. Dicarlo, L. M. Vandersypen, High-kinetic-inductance superconducting nanowire resonators for circuit QED in a magnetic field, *Phys. Rev. Appl.* 5 (4) (2016) 1–7, <https://doi.org/10.1103/PhysRevApplied.5.044004>.
- [11] C. Eichler, A.J. Sigillito, S.A. Lyon, J.R. Petta, Electron spin resonance at the level of 10^4 spins using low impedance superconducting resonators, *Phys. Rev. Lett.* 118 (3) (2017) 037701, <https://doi.org/10.1103/PhysRevLett.118.037701>.
- [12] S. Probst, A. Bienfait, P. Campagne-Ibarcq, J.J. Pla, B. Albanese, J.F. Da Silva Barbosa, T. Schenkel, D. Vion, D. Esteve, K. Mølmer, J.J.L. Morton, R. Heeres, P. Bertet, Inductive-detection electron-spin resonance spectroscopy with 65 spins/ Hz sensitivity, *Appl. Phys. Lett.* 111 (20) (2017) 202604, <https://doi.org/10.1063/1.5002540>.

- [13] V. Ranjan, S. Probst, B. Albanese, T. Schenkel, D. Vion, D. Esteve, J. Morton, P. Bertet, Electron Spin Resonance spectroscopy with femtoliter detection volume V (2020) 1–6, doi:10.1063/5.0004322.
- [14] A. Gaita-Ariño, F. Luis, S. Hill, E. Coronado, Molecular spins for quantum computation, *Nat. Chem.* 11 (4) (2019) 301–309, <https://doi.org/10.1038/s41557-019-0232-y>.
- [15] A. Ghirri, C. Bonizzoni, F. Troiani, N. Buccheri, L. Beverina, A. Cassinese, M. Affronte, Coherently coupling distinct spin ensembles through a high- T_c superconducting resonator, *Phys. Rev. A* 93 (6) (2016) 1–7, <https://doi.org/10.1103/PhysRevA.93.063855>.
- [16] A. Wallraff, D.I. Schuster, A. Blais, L. Frunzio, R.-S. Huang, J. Majer, S. Kumar, S. M. Girvin, R.J. Schoelkopf, Coherent dynamics of a flux qubit coupled to a harmonic oscillator, *Nature* 431 (7005) (2004) 159–162, <https://doi.org/10.1038/nature02831>.
- [17] R. Amsüss, C. Koller, T. Nöbauer, S. Putz, S. Rotter, K. Sandner, S. Schneider, M. Schramböck, G. Steinhauser, H. Ritsch, J. Schmiedmayer, J. Majer, Cavity QED with magnetically coupled collective spin states, *Phys. Rev. Lett.* 107 (6) (2011) 060502, <https://doi.org/10.1103/PhysRevLett.107.060502>.
- [18] J. Ebel, T. Joas, M. Schalk, A. Angerer, J. Majer, F. Reinhard, Dispersive Readout of Room Temperature Spin Qubits 2 (1) (2020) 3–7. URL <http://arxiv.org/abs/2003.07562>.
- [19] V. Ranjan, G. De Lange, R. Schutjens, T. Debelhoir, J.P. Groen, D. Szombati, D.J. Thoen, T.M. Klapwijk, R. Hanson, L. Dicarlo, Probing dynamics of an electron-spin ensemble via a superconducting resonator, *Phys. Rev. Lett.* 110 (6) (2013) 1–5, <https://doi.org/10.1103/PhysRevLett.110.067004>.
- [20] J.A. Haigh, N.J. Lambert, A.C. Doherty, A.J. Ferguson, Dispersive readout of ferromagnetic resonance for strongly coupled magnons and microwave photons, *Phys. Rev. B* 91 (10) (2015) 1–5, <https://doi.org/10.1103/PhysRevB.91.104410>.
- [21] Y. Hu, Y. Song, L. Duan, Quantum interface between a transmon qubit and spins of nitrogen-vacancy centers, *Phys. Rev. A* 96 (6) (2017) 1–24, <https://doi.org/10.1103/PhysRevA.96.062301>.
- [22] M.A. Christensen, C.R. Parker, T.J. Sørensen, S. de Graaf, T.J. Morsing, T. Brock-Nannestad, J. Bendix, M.M. Haley, P. Rapta, A. Danilov, S. Kubatkin, O. Hammerich, M.B. Nielsen, Mixed valence radical cations and intermolecular complexes derived from indenofluorene-extended tetrathiafulvalenes, *J. Mater. Chem. C* 2 (48) (2014) 10428–10438, <https://doi.org/10.1039/C4TC02178A>.
- [23] S.E. De Graaf, D. Davidovikj, A. Adamyan, S.E. Kubatkin, A.V. Danilov, Galvanically split superconducting microwave resonators for introducing internal voltage bias, *Appl. Phys. Lett.* 104 (5) (2014), <https://doi.org/10.1063/1.4863681>.
- [24] M.S. Khalil, M.J.A. Stoutimore, F.C. Wellstood, K.D. Osborn, An analysis method for asymmetric resonator transmission applied to superconducting devices, *J. Appl. Phys.* 111 (5) (2012).
- [25] A phase rotation factor $e^{i\phi}$ is introduced to account for slight impedance mismatch along the feedline ($\phi = -0.6$ rad gives the best fit to the data).
- [26] F. Arute, K. Arya, R. Babbush, D. Bacon, J.C. Bardin, R. Barends, R. Biswas, S. Boixo, F.G.S.L. Brandao, D.A. Buell, B. Burkett, Y. Chen, Z. Chen, B. Chiaro, R. Collins, W. Courtney, A. Dunsworth, E. Farhi, B. Foxen, A. Fowler, C. Gidney, M. Giustina, R. Graff, K. Guerin, S. Habegger, M.P. Harrigan, M.J. Hartmann, A. Ho, M. Hoffmann, T. Huang, T.S. Humble, S.V. Isakov, E. Jeffrey, Z. Jiang, D. Kafri, K. Kechedzhii, J. Kelly, P.V. Klimov, S. Knysh, A. Korotkov, F. Kostritsa, D. Landhuis, M. Lindmark, E. Lucero, D. Lyakh, S. Mandrà, J.R. McClean, M. McEwen, A. Megrant, X. Mi, K. Michielsen, M. Mohseni, J. Mutus, O. Naaman, M. Neeley, C. Neill, M.Y. Niu, E. Ostby, A. Petukhov, J.C. Platt, C. Quintana, E.G. Rieffel, P. Roushan, N.C. Rubin, D. Sank, K.J. Satzinger, V. Smelyanskiy, K.J. Sung, M.D. Trevithick, A. Vainsencher, B. Villalonga, T. White, Z.J. Yao, P. Yeh, A. Zalcman, H. Neven, J.M. Martinis, Quantum supremacy using a programmable superconducting processor, *Nature* 574 (7779) (2019) 505–510, <https://doi.org/10.1038/s41586-019-1666-5>.
- [27] A. Wallraff, D.I. Schuster, A. Blais, L. Frunzio, J. Majer, M.H. Devoret, S.M. Girvin, R.J. Schoelkopf, Approaching unit visibility for control of a superconducting qubit with dispersive readout, *Phys. Rev. Lett.* 95 (6) (2005) 060501, <https://doi.org/10.1103/PhysRevLett.95.060501>.
- [28] D.F. Walls, G.J. Milburn, *Quantum Opt.* (2008).
- [29] M. Tavis, F.W. Cummings, Exact Solution for an N-Molecule-Radiation-Field Hamiltonian, *Phys. Rev.* 170 (2) (1968).
- [30] B.M. Garraway, The Dicke model in quantum optics: Dicke model revisited, *Philos. Trans. R. Soc. A Math. Phys. Eng. Sci.* 369 (1939) (2011) 1137–1155, <https://doi.org/10.1098/rsta.2010.0333>.
- [31] A. Blais, R.S. Huang, A. Wallraff, S.M. Girvin, R.J. Schoelkopf, Cavity quantum electrodynamics for superconducting electrical circuits: An architecture for quantum computation, *Phys. Rev. A* 69 (6) (2004) 1–14, <https://doi.org/10.1103/PhysRevA.69.062320>.
- [32] A. Blais, S.M. Girvin, W.D. Oliver, Quantum information processing and quantum optics with circuit quantum electrodynamics, *Nat. Phys.* 16 (3) (2020) 247–256, <https://doi.org/10.1038/s41567-020-0806-z>.
- [33] D. Zueco, G.M. Reuther, S. Kohler, P. Hänggi, Qubit-oscillator dynamics in the dispersive regime: Analytical theory beyond the rotating-wave approximation, *Phys. Rev. A - At. Mol. Opt. Phys.* 80 (3) (2009) 1–5, <https://doi.org/10.1103/PhysRevA.80.033846>.
- [34] R. Bianchetti, S. Filipp, M. Baur, J.M. Fink, M. Göppl, P.J. Leek, L. Steffen, A. Blais, A. Wallraff, Dynamics of dispersive single-qubit readout in circuit quantum electrodynamics, *Phys. Rev. A* 80 (4) (2009) 1–8, <https://doi.org/10.1103/PhysRevA.80.043840>.

- [35] A.A. Clerk, M.H. Devoret, S.M. Girvin, F. Marquardt, R.J. Schoelkopf, Introduction to quantum noise, measurement, and amplification, *Rev. Mod. Phys.* 82 (2) (2010) 1155–1208, <https://doi.org/10.1103/RevModPhys.82.1155>.
- [36] As with the non-resonant fit to the resonator lineshape, a phase rotation factor $e^{i\phi}$ is introduced to account for slight impedance mismatch along the feedline ($\phi = -0.6$ rad gives the best fit to the data).
- [37] M. Stammeier, S. Garcia, T. Thiele, J. Deiglmayr, J.A. Agner, H. Schmutz, F. Merkt, A. Wallraff, Measuring the dispersive frequency shift of a rectangular microwave cavity induced by an ensemble of Rydberg atoms, *Phys. Rev. A* 95 (5) (2017) 1–11, <https://doi.org/10.1103/PhysRevA.95.053855>.
- [38] D.O. Krimer, S. Putz, J. Majer, S. Rotter, Non-Markovian dynamics of a single-mode cavity strongly coupled to an inhomogeneously broadened spin ensemble, *Phys. Rev. A* 96 (4) (2014) 043837, <https://doi.org/10.1103/PhysRevA.90.043852>.
- [39] S.E. de Graaf, A.A. Adamyan, T. Lindström, D. Erts, S.E. Kubatkin, A.Y. Tzalenchuk, A.V. Danilov, Direct identification of dilute surface spins on Al_2O_3 : Origin of flux noise in quantum circuits, *Phys. Rev. Lett.* 118 (5) (2016) 057703, <https://doi.org/10.1103/PhysRevLett.118.057703>.