



University of Dundee

Ultrasound mediated delivery of quantum dots from a proof of concept capsule endoscope to the gastrointestinal wall

Stewart, Fraser; Cummins, Gerard; Turcanu, Mihnea V.; Cox, Benjamin F.; Prescott, Alan; Clutton, Eddie

Published in:
Scientific Reports

DOI:
[10.1038/s41598-021-82240-1](https://doi.org/10.1038/s41598-021-82240-1)

Publication date:
2021

Document Version
Publisher's PDF, also known as Version of record

[Link to publication in Discovery Research Portal](#)

Citation for published version (APA):

Stewart, F., Cummins, G., Turcanu, M. V., Cox, B. F., Prescott, A., Clutton, E., Newton, I. P., Desmulliez, M. P. Y., Thanou, M., Mulvana, H., Cochran, S., & N athke, I. (2021). Ultrasound mediated delivery of quantum dots from a proof of concept capsule endoscope to the gastrointestinal wall. *Scientific Reports*, *11*, [2584].
<https://doi.org/10.1038/s41598-021-82240-1>

General rights

Copyright and moral rights for the publications made accessible in Discovery Research Portal are retained by the authors and/or other copyright owners and it is a condition of accessing publications that users recognise and abide by the legal requirements associated with these rights.

- Users may download and print one copy of any publication from Discovery Research Portal for the purpose of private study or research.
- You may not further distribute the material or use it for any profit-making activity or commercial gain.
- You may freely distribute the URL identifying the publication in the public portal.

Take down policy

If you believe that this document breaches copyright please contact us providing details, and we will remove access to the work immediately and investigate your claim.



OPEN

Ultrasound mediated delivery of quantum dots from a proof of concept capsule endoscope to the gastrointestinal wall

Fraser Stewart^{1,2,10}✉, Gerard Cummins^{3,10}✉, Mihnea V. Turcanu⁴, Benjamin F. Cox⁵, Alan Prescott¹, Eddie Clutton⁶, Ian P. Newton¹, Marc P. Y. Desmulliez⁷, Maya Thanou⁸, Helen Mulvana⁹, Sandy Cochran⁴ & Inke Näthke¹

Biologic drugs, defined as therapeutic agents produced from or containing components of a living organism, are of growing importance to the pharmaceutical industry. Though oral delivery of medicine is convenient, biologics require invasive injections because of their poor bioavailability via oral routes. Delivery of biologics to the small intestine using electronic delivery with devices that are similar to capsule endoscopes is a promising means of overcoming this limitation and does not require reformulation of the therapeutic agent. The efficacy of such capsule devices for drug delivery could be further improved by increasing the permeability of the intestinal tract lining with an integrated ultrasound transducer to increase uptake. This paper describes a novel proof of concept capsule device capable of electronic application of focused ultrasound and delivery of therapeutic agents. Fluorescent markers, which were chosen as a model drug, were used to demonstrate *in vivo* delivery in the porcine small intestine with this capsule. We show that the fluorescent markers can penetrate the mucus layer of the small intestine at low acoustic powers when combining microbubbles with focused ultrasound during *in vivo* experiments using porcine models. This study illustrates how such a device could be potentially used for gastrointestinal drug delivery and the challenges to be overcome before focused ultrasound and microbubbles could be used with this device for the oral delivery of biologic therapeutics.

Oral delivery of therapeutic agents is generally the preferred route of administration due to increased patient acceptance¹ and convenience compared to parenteral routes. Many pharmaceuticals, once swallowed, are absorbed in the gastrointestinal (GI) tract, usually in the small intestine, which has greater absorptive capacity than other parts of the GI tract due to factors such as its length and surface area of up to 6 m and 200 m² respectively in adults². However, the challenging environment of the GI tract limits the successful absorption, and the ability to establish sufficient systemic levels of therapeutics. The pH along the GI tract varies widely, and the gut contains many enzymes that reduce the stability, bioavailability, and thus effective delivery of many biomacromolecules^{3,4}. There are also physical barriers to uptake that must be overcome before any biomacromolecular drugs can pass through the walls of the GI tract and reach the desired site in the body. First, the drugs must pass through the mucus that coats the intestinal epithelium⁵. Then, they must breach the barrier provided by the epithelial layer, specifically tight junctions between adjacent epithelial cells. These and other constraints have limited oral drug delivery to small molecules⁴. A more effective GI drug delivery system should achieve efficient delivery of a broader class of therapeutic agents, including biologics, with increased bioavailability and

¹School of Life Sciences, The University of Dundee, Dundee DD1 5EH, UK. ²Department of Electronic and Electrical Engineering, The University of Strathclyde, Glasgow G1 1XQ, UK. ³School of Engineering, The University of Birmingham, Birmingham B15 2TT, UK. ⁴School of Engineering, The University of Glasgow, Glasgow G12 8QQ, UK. ⁵School of Medicine, The University of Dundee, Dundee DD1 5EH, UK. ⁶The Roslin Institute, The University of Edinburgh, Edinburgh EH25 9RG, UK. ⁷School of Engineering and Physical Sciences, Heriot-Watt University, Edinburgh EH14 4AS, UK. ⁸Institute of Pharmaceutical Science, Kings College London, London SE1 1DB, UK. ⁹Department of Biomedical Engineering, The University of Strathclyde, Glasgow G1 1XQ, UK. ¹⁰These authors contributed equally: Fraser Stewart and Gerard Cummins. ✉email: fraser.stewart.101@strath.ac.uk; G.Cummins@bham.ac.uk

minimized toxic side effects and a reduction in the quantity that needs to be administered. Such a system should also remove the need for significant reformulations of the drugs and, for gastrointestinal diseases, enable localized treatment of conditions such as inflammatory bowel disease (IBD)⁶.

Pharmaceutical technologies such as multilayered tablets, hydrogels, and exosomes provide a means of controlling drug delivery in the intestine⁷. However, these methods may require the reformulation of therapeutic agents to guarantee compatibility with the chosen technique and ensure the efficacy of the drug⁸ though these methods are still not useful to ensure effective oral delivery of biologicals as they cannot cross the epithelial barrier and are still exposed to the adverse conditions of the gastrointestinal tract during delivery.

Another strategy for more effective oral drug delivery has emerged from advances in electronic miniaturization, specifically the development of capsule endoscopy. Endoscopic capsules can be swallowed, and they contain a camera and associated electronic subsystems that allow optical imaging of the GI mucosa⁹. Clinical use of such capsules, primarily for the detection of occult GI bleeding, has increased since their introduction in the early 1990s⁹. The ability of capsule endoscopes to transit the entire GI tract makes them particularly suitable for imaging diseases that affect remote sections of the small bowel.

Capsule endoscopy, mainly used for its diagnostic advantages, is also widely recognized as a platform with therapeutic potential for the electronic delivery of commonly ingested drugs³. Capsule endoscopes could transport and release any drug to a region of the GI tract within a specified time after ingestion or upon detection of a change in pH. The clinical potential¹⁰ of such systems is illustrated by positive results obtained from clinical trials with existing drug delivery capsules such as Intellicap¹¹, Intellisite¹², and Enterion¹³. However, the potential of capsule devices for therapeutic applications goes further, as they could also be modified to improve the bioavailability of drugs by actively increasing tissue layer permeability. This approach would enhance the passage of therapeutic agents across tissue barriers to allow more efficacious treatments and reduction in doses that need to be delivered⁴.

Increased and reversible permeabilization of the tissue layers lining the GI tract can be induced through the use of ultrasound (US)^{14,15}. Ultrasound-mediated delivery was first considered in the 1980s as a method for targeting and enhancing therapeutic agent delivery¹⁶. Conventional ultrasound-mediated drug delivery systems typically consist of an extracorporeally situated US transducer coupled to the skin with water or gel and aimed toward a target site¹⁷. Though this approach is not constrained by transducer size or power budget, the presence of bone or gas in the path of the US beam can produce unintended hotspots and shadows, and the patient must remain still to maintain the focus of the beam on the desired target.

US contrast agents, such as microbubbles (MBs), can be used to amplify these biophysical effects, enabling ultrasound-induced reversible permeabilization of cell membranes at low acoustic powers making them attractive for use in transepithelial drug delivery. Microbubbles consist of an inert gas core stabilized by a lipid or polymer shell typically 0.8–10 μm in diameter¹⁸. Several papers have demonstrated the ability of MBs to amplify the biophysical effects of ultrasound, such as cavitation. The gas-filled, compressible core of MBs makes them responsive to ultrasound, causing them to compress and expand alternately. This cyclical behavior can increase cell permeability due to the formation of pores caused by either the interaction between microbubbles and cell membranes at low acoustic pressures, referred to as stable cavitation, or through shockwaves generated by the collapse of microbubbles proximal to the cell membrane under high acoustic pressures, referred to as inertial cavitation¹⁹.

Some of the challenges associated with conventional ultrasound mediated drug delivery, such as those associated with the presence of bone or gas in the beam path, could be solved by placing the US transducer intracorporeally. This approach achieved a tenfold increase in the permeation of the anti-inflammatory drug 5-aminosalicylic acid when administered rectally in a porcine animal model using a single application of 20 kHz ultrasound at 7.5 W/cm² for 1 min with no microbubbles¹⁴. However, in this case, the size of the device limited positioning to the rectum only.

Therapeutic intervention using ultrasound mediated drug delivery along the entire length of the GI tract could be achieved by placing the US source in a device resembling a capsule endoscope. Such a device would also remove limitations caused by patient movement, obstruction by bone or gas associated with extracorporeal US. The ability to release drugs at specific locations along the GI tract through this capsule format would allow targeted drug delivery; this intracorporeal ultrasound-mediated targeted drug delivery (UmTDD) requires the miniaturization of the US transducer. This miniaturization results in a lower US intensity being generated that can adversely affect the therapeutic efficiency of the treatment. However, the extent of these effects can potentially be mitigated using MBs. The ability to increase cell permeability at low acoustic pressures due to the interaction between MBs and the cells is essential for the successful operation of an UmTDD capsule.

Following previous work^{20–22}, this paper describes the design, manufacture, and assessment of a proof of concept, therapeutic capsule for ultrasound-mediated delivery of agents with and without the use of MBs. Previous work demonstrated that MBs, in conjunction with focused US reduced barrier function, as measured by changes in transepithelial electrical resistance (TEER), more effectively than insonation or MBs alone in Caco-2 cell monolayers²². Importantly, the decrease in TEER was temporary, and TEER normal values were restored 5 to 6 min after insonation stopped. New results present the design of a new and more effective ultrasound-mediated delivery capsule that can successfully deliver fluorescent particles with and without MBs and insonation to *ex vivo* and *in vivo* tissues. The results of the *in vivo* experiments with MBs demonstrate that fluorescent markers can penetrate the mucus layer lining the small intestine, but further delivery to and across the epithelial layer is hindered by retention of fluorescent particles by the mucus. However, these results illustrate the potential of the device in GI drug delivery, but further work is needed to sufficiently optimise the capsule design to be capable of transepithelial drug delivery.

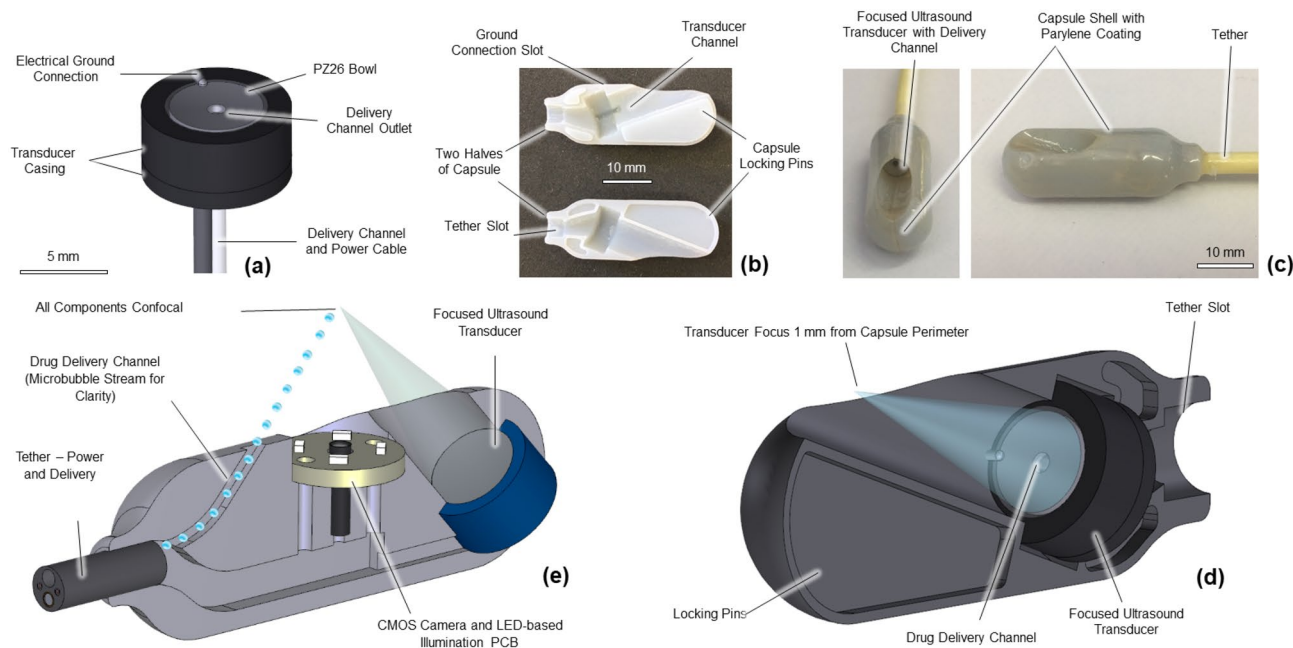


Figure 1. (a) Schematic of ultrasound transducer used in delivery capsule. (b) Locking mechanism for aligning capsule. (c) External view of capsule for in vivo drug delivery. (d) Cross-sectional image of in vivo delivery capsule²⁸ (e) Cross-sectional image of original prototype capsule²².

Voltage (V_{pp})	W_{IN} (mW)	W_{OUT} (mW)	Efficiency (%)	Acoustic pressure (kPa)	IAC (Wcm^{-2})
3	20.1	9.6 ± 0.7	47.8 ± 0.7	344.5 ± 065.5	1.4 ± 0.0
4	35.8	20.2 ± 3.2	56.4 ± 3.2	443.4 ± 084.2	1.6 ± 0.1
5	55.9	31.3 ± 4.2	56.0 ± 4.2	544.7 ± 103.5	2.3 ± 0.1
6	80.5	42.4 ± 3.0	52.7 ± 3.0	636.3 ± 120.9	3.0 ± 0.2
7	109.6	56.8 ± 4.0	51.8 ± 4.0	741.3 ± 140.8	3.4 ± 0.2
8	143.1	76.6 ± 5.4	53.5 ± 5.4	826.8 ± 157.1	4.3 ± 0.3
9	181.1	92.5 ± 6.5	51.1 ± 6.5	917.4 ± 174.3	4.8 ± 0.4
10	223.6	115.1 ± 8.1	51.5 ± 8.1	1016.2 ± 193.1	6.1 ± 0.5

Table 1. Output parameters of the miniature focused ultrasound transducer used for the *ex-vivo* tissue experiments.

Results

Ultrasound transducer physical characteristics. A spherically focused US transducer with an outer diameter of 5 mm, a radius of curvature of 15 mm, and a central hole 1 mm in diameter was created using PZ26 piezoceramic material (Fig. 1a). The US was focused to create bioeffects in the focal region of the transducer, which was 15 mm from the transducer. The central hole facilitated the integration of the MB/drug delivery channel and simplified this new capsule design²¹.

Ultrasound transducer fabrication and characterisation. Electrical impedance spectroscopy with a 4395A Impedance Analyzer (Keysight Technologies, Santa Clara, CA, USA) established that the central operating frequency of the two transducers, one used for the benchtop and the other in vivo experiments, when submerged in water, was 3.98 MHz. The magnitude of the electrical impedance at this frequency was within 10% of the electrical impedance of the attached power cable; therefore, no electrical matching was required. Acoustic output power measurements were performed at a distance of 1 mm from the capsule surface with an input power (W_{IN}) in the range of 20.1 mW to 223.6 mW. Results are shown in Tables 1 and 2 for the transducers used for the *ex vivo* tissue and in vivo porcine experiments respectively, with a minimal difference in output power (W_{OUT}) for the two transducers. The error bars associated with the measurements shown in Tables 1 and 2 were due to measurement uncertainty and the standard deviation of three repeats per measurement. The beam diameter of the transducer at -6 dB was measured using a commercial US field mapping (USFM) measurement system (Precision Acoustics Ltd., Dorchester, England).

Acoustic pressure generated by the focused US transducer at a distance of 1 mm from the capsule surface ranged from 308 ± 58.5 kPa to 1100 ± 209.1 kPa, and the beam diameter at -6 dB was 1.38 mm. Output power

Voltage (V_{pp})	W_{IN} (mW)	W_{OUT} (mW)	Efficiency (%)	Acoustic pressure (kPa)	IAC (Wcm^{-2})
3	20.1	12.8 ± 1.0	63.7 ± 1.0	308.1 ± 058.5	1.0 ± 0.1
4	35.8	20.2 ± 3.2	56.4 ± 3.2	409.4 ± 077.8	1.4 ± 0.2
5	55.9	30.8 ± 4.2	55.1 ± 4.2	512.9 ± 097.5	2.2 ± 0.3
6	80.5	40.5 ± 4.0	50.3 ± 4.0	627.2 ± 119.2	2.9 ± 0.3
7	109.6	57.8 ± 4.3	52.7 ± 4.3	744.7 ± 141.5	4.2 ± 0.3
8	143.1	76.6 ± 5.6	53.5 ± 5.6	858.6 ± 163.1	5.4 ± 0.4
9	181.1	92.5 ± 6.6	51.1 ± 6.6	953.8 ± 181.2	6.5 ± 0.5
10	223.6	115.2 ± 8.1	51.5 ± 8.1	1100.4 ± 209.1	7.8 ± 0.6

Table 2. Output parameters of the miniature focused ultrasound transducer used for the in vivo capsule.

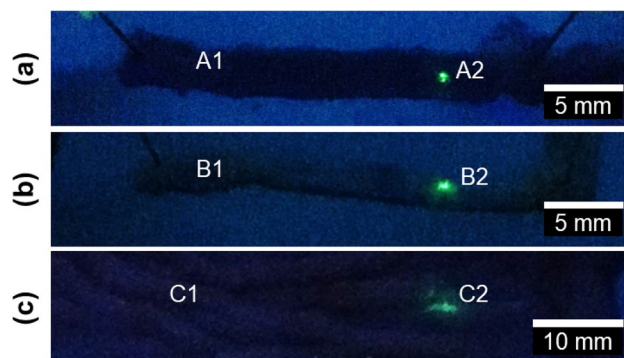


Figure 2. (a) Regions of wild type murine (b) APC/Min + murine and (c) porcine intestine that were not-insonated near the points A1, B1, C1 or insonated near points A2, B2, C2. In all cases tissue was exposed to Quantum dots. Quantum dots were clearly visible only when tissue was insonated near points A2, B2 and C2. Images were taken after insonation.

(W_{OUT}) generated by the transducer ranged from 12.8 ± 1.0 to 115 ± 8.1 mW. The efficiency of the transducer ranged from 50.0 ± 5.0 to $64.0 \pm 5.2\%$, with an average of 54.2% . It is assumed that the power lost is converted into heat that is dissipated into the surrounding environment. Focal plane intensities (IAC) were measured to range between $1.0 \pm 0.1 Wcm^{-2}$ and $7.8 \pm 0.5 Wcm^{-2}$.

Benchtop testing of ultrasound-mediated delivery transducers in ex vivo tissue. Previous work demonstrated that uptake of Quantum dots (QDs) by monolayers of Caco-2 cells could be enhanced by insonation²⁰. Measuring the efficacy of this method in tissue is a crucial step towards its deployment in vivo. As in the earlier work with cells, QDs²⁰ were chosen as the particles used to measure uptake/delivery. Quantum dots are fluorescent semiconductor nanocrystals and are frequently used in imaging. They have broad excitation spectra, narrow emission spectra, exhibit almost no photobleaching, and have long fluorescence lifetimes²³.

The small intestine was isolated from wild type (WT), and $Apc^{Min/+}$ mice and QDs were delivered to the tissue *post mortem*. $Apc^{Min/+}$ mice are heterozygous for mutations in the adenomatous polyposis coli gene (*Apc*) and are a well-established model of human familial adenomatous polyposis (FAP). FAP patients are also heterozygous for mutations in *Apc* and develop numerous polyps in their intestinal tract that progress to cancers if left untreated²⁴. $Apc^{Min/+}$ mice thus present a precancerous state. They also have reduced mucus production²⁵, and any differences between WT and $Apc^{Min/+}$ tissues could reflect differences in the mucus layer and/or changes associated with the epithelium in precancerous tissue²⁶. The presence of QDs was compared in the samples with and without insonation and between healthy and precancerous excised tissues.

Successful delivery of QDs was recorded when the fluorescence emitted by the QDs was detected in the insonated area. In 11 of the 14 WT samples, fluorescence consistent with the accumulation of QDs within insonated areas was observed (Fig. 2a), corresponding to a success rate of 79%. Accumulation of QDs was detectable in only 50% of the 14 $Apc^{Min/+}$ samples (Fig. 2b). It is likely that the reduction in the efficacy of ultrasound-mediated delivery observed in $Apc^{Min/+}$ samples was due to less mucus in this tissue to capture the QDs. This is thought to have led to many of those QDs to be washed away by buffer (PBS) after 2 h.

Experiments were also conducted on sections of WT porcine small intestine *post mortem*. These tissue samples were obtained and used within 20 min of death to minimize tissue degradation. Inspection of the porcine bowel samples exposed to QDs showed that QDs were detected only in insonated areas of bowel tissue and not in control areas (Fig. 2c). Of the 16 WT porcine samples, 12 were observed to emit fluorescence within insonated areas but not control areas reflecting a success rate of 75% for ex vivo porcine samples. A reason for the difference

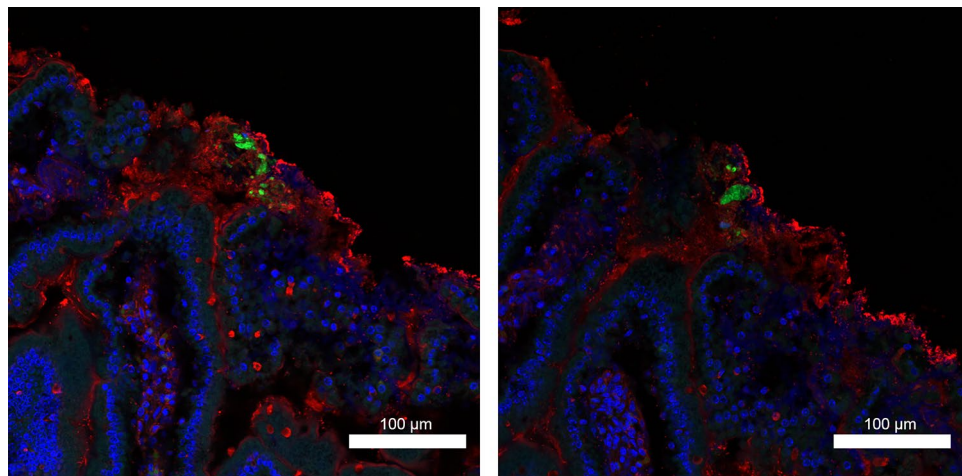


Figure 3. Example cross-sections of a PFA fixed murine small intestine after insonation with QDs and MBs. Images show QDs (green) are lodged in the mucus (stained with WGA, red) after insonation and did not penetrate the underlying intestinal tissue (marked by DNA stain to show nuclei, blue).

in the shape and distribution of the QDs between Fig. 2a–c is as yet unknown but may have been due to fluidic disturbances of the QD stream.

Microbubbles were added to the QD solution during further WT murine experiments to measure the depth of penetration of the QDs in the US insonated region and examine whether their addition could drive the QDs into the underlying epithelium. Cross-sections were taken wherever fluorescence was detected along the length of the excised fixed murine intestinal tissue using Carnoys or PFA²⁷. Fluorescence was not detected in the samples fixed with Carnoys after staining. Processing of the tissue for staining caused the loss of much of the mucin, and only a few QDs remained with an occasional QD inside folds of villi where mucin may also have been trapped (Supplementary Fig. 3). Laser scanning confocal microscopy of the cross-sections of murine intestinal tissue fixed with PFA was used to determine the depth of penetration of QDs after insonation with MBs. QDs (Fig. 3, green) were enveloped in the mucus layer (Fig. 3, red), but were not present in the cells in the underlying intestinal epithelial tissue (Fig. 3, nuclei stained blue). This demonstrated that insonation was sufficient only to drive the QDs into the mucus layer. This was further confirmed by examining the three sections of insonated excised tissue taken from one animal, which covered a length of 41,400 μm and failing to find QDs inside cells. Despite the loss of some of much of the mucin due to staining, this examination further confirmed that the QDs do not penetrate the epithelial tissue.

In vivo testing of ultrasound-mediated delivery capsule. Though the ex vivo experiments already showed that MBs do not amplify ultrasound alone, at least not when mucus is present, in vivo testing of the ultrasound mediated delivery capsule was carried out for two purposes of equal importance. First, MBs were used in combination with ultrasound during the in vivo trial to determine if uptake and retention of QDs was comparable. Secondly, *in-vivo* work with MBs was also useful in determining whether the delivery of MBs by such means compromised coupling issues between transducer and tissue or other adverse effects. To determine the ability of our system to deliver reagents in live animals, five tissue samples were collected from three pigs. Two additional samples from a fourth pig were excluded because these cases, debris consumed naturally by the animal before the experimental period was found lodged in the transducer channel when the capsule was removed from the small intestine. Such debris can impede US and QD delivery and produce artificial results. As shown previously²⁸, fluorescence associated with QD was detected in samples subjected to the MB/QD solution and US in the insonated regions (Fig. 4a) in four of the five samples, while no fluorescence was associated with those samples subjected to just insonation (Fig. 4b) or QDs (Fig. 4c). Regions insonated in conjunction with MB/QD delivery were positive for fluorescence, and non-insonated controls were negative, corresponding to a success rate of 80%. High-resolution immunofluorescence imaging suggested that the QDs were lodged in the mucus layer based on the similarity between images obtained from murine and porcine benchtop trials (ex vivo tissue) (Fig. 4d,e).

Discussion

Our results significantly expand on this first demonstration of in vivo ultrasound-mediated delivery of QDs in the small bowel using a proof-of-concept tethered capsule endoscope. This work highlights that capsule-based ultrasound mediated delivery can successfully drive fluorescent QDs into the mucus of the mucosal layer of the porcine small intestine when applying ultrasonic insonation together with MBs. Earlier, post mortem work on murine tissue, showing higher success rate for delivery to WT murine tissue (79%) than to $Apc^{\text{Min/+}}$ tissue (50%) suggests that the lower mucus production in the latter does not facilitate delivery across the mucus layer. This post-mortem work highlighted that insonation alone was enough to drive QDs into the mucus and that MBs

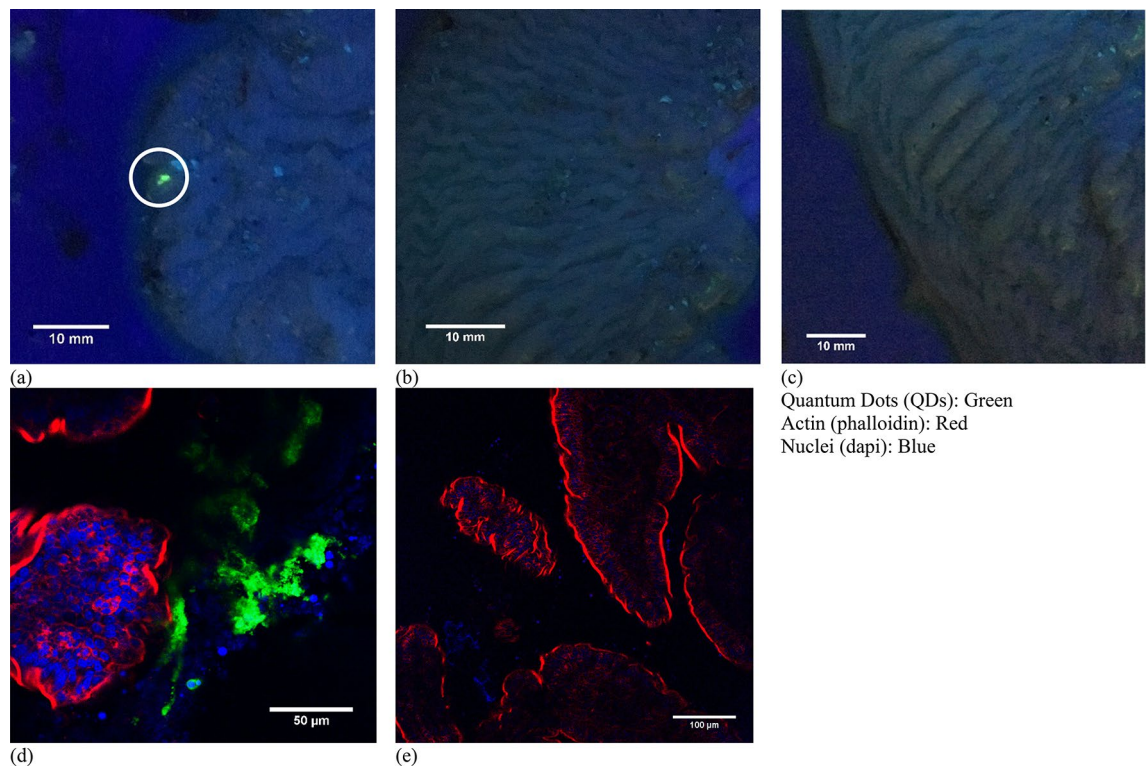


Figure 4. (a–c) Tissue from animal 20170921-P1. (a) Tissue sections exposed to insonation and QDs (white circle). (b) Tissue from area exposed to insonation only (no QDs). (c) Tissue from area exposed to QDs only. (d,e) Immunofluorescent staining of samples (a,c). The QDs were never detected inside epithelial cells marked by F-actin (red), which is highly concentrated in the apical brush border. Images a, b and c are reproduced with permission from²⁸.

were insufficient to overcome QD retention by the mucus. Further work is needed to ascertain whether this finding from $Apc^{Min/+}$ murine tissue with lower mucus production is replicated in vivo using a suitable porcine animal model, and whether the duration that the fluorescent particles persist in the mucosa will be affected by the rate of continual mucus secretion and mucosal cell shedding. Additionally, future studies will be needed to be conducted to ascertain in greater detail whether MBs reduce QD retention in mucus by driving QDs further into the mucus compared to insonation alone. If retention of mucus in the small intestine cannot be overcome then it may also necessitate the digestion or removal of the mucus layer before insonation to measure if MBs can amplify the effects of ultrasound to facilitate QD uptake into tissue.

Further studies are needed to optimise the delivery of the QDs into the mucus and beyond. The 80%, 79% and 50% success rates experienced in the in vivo porcine trial, WT murine and $Apc^{Min/+}$ tissue suggest there is further room for improvement. The reason for the low success of the $Apc^{Min/+}$ tissue relative to the WT murine and porcine trials suggest that lower mucus production plays a role. However, other factors, especially in the in vivo porcine trial, may limit the QD delivery and transfer through the mucus in all cases. These factors may include the orientation of the capsule relative to the intestinal tissue, and the tether causing the capsule to be located outside of the transducer focal zone. It is also noted that microbubbles float upwards, which may result in a change in concentration and size distribution of the microbubbles between entering and exiting the tether. One or more of these factors may be the reason for the spherical and cylindrical QD patterns observed in Fig. 2a,c respectively. The effect of this change on the efficacy of ultrasound mediated delivery with this system should be investigated in future studies as this may also lead to improved success rates. The role that all these factors potentially play in the success of QD delivery can only be confirmed by future studies incorporating simultaneous in vivo imaging of the delivery process as it occurs. Further work is also needed to confirm whether the device leads to a localised increase in temperature and the magnitude of this temperature rise due to the potential implications for safety. If a localised increase in temperature is recorded, then the US intensity will be reduced and the amplifying effects of MBs, if they can overcome the mucus barrier, will be crucial.

Further work is also needed to determine for how long the particles remain embedded in the mucus before diffusing away and whether this residence time varies along the GI tract²⁹. MBs can attenuate and scatter ultrasound, making them effective as ultrasound imaging contrast agents³⁰. Though it will be challenging, further work is also needed to fully characterise the relationship between drug uptake in tissue, incident ultrasonic energy and the local concentration of MBs due to their ability to attenuate and scatter the incident ultrasound. This work complements previous attempts to deliver material to the mucosa with UmTDD, which were limited to the rectum due to the size of the system employed¹⁴. Furthermore, this work demonstrates the potential of

capsule-based, UmTDD devices for accessing the small bowel and transfer exogenous agents without requiring needles³¹, gases³², or other mechanisms¹⁰.

Delivery of therapeutics to the cells in the tissue will require UmTDD to facilitate transit through the mucus layer³³. This could be achieved with mucus-penetrating particles (MPPs), which mimic essential surface properties of viruses that prevent muco-adhesion^{29,34}. Combining drugs with MPPs could facilitate their passage through the mucus layer, and insonation could further enhance drug uptake into cells and/or through intercellular junctions. Similarly, the inclusion of mucolytic agents in the capsule is another alternative approach to facilitate the delivery of drugs into cells and tissue. Furthermore, the delivery of therapeutic agents in pathological areas such as inflamed tissue may be sufficient with this method³⁵.

Our results demonstrated that locations of interest to clinicians along the GI tract could be marked using focused US. Marking tissue to help target subsequent interventions to a specific site is a potentially useful approach to deliver treatment to a diseased site with a second follow-up capsule or surgically³⁶. A capsule-based system could potentially locate diseased regions with microultrasound imaging³⁷, and mark them with fluorescent particles in a US-mediated process. The fluorescently-marked (diseased) regions could then be readily identified during surgery or with a second capsule capable of fluorescence imaging^{38,39}. Such a secondary capsule could also deliver therapeutic agents to the diseased site.

Methods

Ultrasound transducer design and fabrication. A previously described prototype tethered capsule (Fig. 1e) contained a focused US transducer, white light imaging camera, LED-based illumination, and a drug delivery channel^{20–22}. This capsule was unsuitable for use *in vivo* as the tether was too short and inflexible, and the capsule could not be made biocompatible. Additionally, because of the diameter of the capsule relative to that of the porcine small bowel, the capsule will inevitably be in contact with the mucosa, which required it to be redesigned to allow the US focus to be at the mucosa and not below it, deeper in the tissue. This was achieved by recessing the transducer into the capsule, positioning the focus 1 mm from the capsule perimeter, instead of 4 mm as in previous designs. The additional space required for the recess meant that the new capsule (Fig. 1d), could contain only a focused US transducer and drug delivery channel, and no camera or illumination. Importantly, the dimensions of the capsule (11 mm diameter, 3 mm length), remained comparable to those that are used clinically for visual diagnosis such as the PillCam SB (Medtronic Inc., Minneapolis, MN, USA) and PillCam Colon (Medtronic Inc., Minneapolis, MN, USA).

The transducer was produced using a curved PZ26 piezoceramic bowl (Meggit A/S, Kvistgaard, Denmark) intended for US transmission. Each bowl had a stated transmission frequency, $f = 4$ MHz, an outer diameter of 5 mm, a radius of curvature of 15 mm, and an inner hole diameter of 1 mm. The hole accommodates the delivery channel used for introducing therapeutic agents. The bowl was contained in a case providing structural support that was created from VeroWhite material using the Object Connex (Stratasys Ltd., Eden Prairie, MN, USA) additive manufacturing system. The case was constrained to fit within the shell of an ingestible capsule, with shell dimensions no more than 11 mm in diameter and 30 mm in length. The case was designed in two parts to facilitate assembly and insertion of the transducer. The first part was the main body that provided support for the piezoceramic bowl and a supportive backing layer, with an outer diameter of 8 mm, and a length of 3 mm. The second part was a cap attached to the rear of the main body with an outer diameter of 8 mm, a thickness of 1 mm, and an inner hole diameter of 2 mm to allow the power cable and delivery tube for exogenous agents to pass through.

The silver electrode on the rear of the PZ26 bowl, as supplied by the manufacturer, was connected to the inner conductor of a coaxial cable (813–3426, RS Components, Corby, UK) with outer diameter of 1.17 mm, and length of 3.5 m, using conductive Ag-filled epoxy (G3349, Agar Scientific, Stansted, UK). The distal end of the coaxial cable inner connector was attached to the central pin of a cable-mount SMA connector (468–3075, RS Components, Corby, UK) using conductive Ag-filled epoxy which was subsequently cured in an oven at 80 °C for 15 min. The backing layer was a very low acoustic impedance mixture of glass microbubbles (K1, 3 M, Maplewood, MN, USA) and epoxy (EpoFix, Struers A/S, Ballerup, Denmark) at a mass ratio of 1:3 intended to provide physical support with minimal ultrasonic damping. The backing layer was applied to the rear surface of the PZ26 bowl inside the transducer case, and this was transferred to an oven to cure for 15 min at 70 °C. Once cured, a hole of approximate diameter 1 mm was drilled through the backing layer using a 1 mm diameter drill bit to allow the delivery channel to pass through it. Polythene tubing (Smith Medical Ltd., Cumbernauld, Scotland, UK) with an outer diameter of 0.96 mm, an inner diameter of 0.58 mm, and a length of 3.5 m was used as the delivery channel. The delivery channel tubing was passed through the backing layer and PZ26 bowl until it was level with the front surface of the bowl and then fixed in place using EpoFix epoxy.

The second part of the transducer casing was attached to the rear of the main case using EpoFix epoxy. The coaxial cable and delivery channel were passed through the central hole in the case. The electrical ground connection was supplied by the outer connector of the coaxial cable attached to the front surface electrode of the PZ26 bowl using conductive Ag-filled epoxy. This connector was passed through a groove in the external surface of the case. The distal end of the outer coaxial cable was attached to the outside of the cable mount SMA connector using conductive Ag-filled epoxy and cured in an oven for 15 min at 80 °C.

Ultrasound field mapping. The spatial distribution of the US field produced by the focused US transducers was mapped using a commercial US field mapping (USFM) measurement system (Precision Acoustics Ltd., Dorchester, UK). The USFM system, as shown in Supplementary Fig. 1, consisted of a needle hydrophone (Precision Acoustics Ltd., Dorchester, UK) moved throughout the acoustic field, including the focal region, to quantify the acoustic pressure distribution. The USFM system allows motion along x , y , and z axes with a resolution of

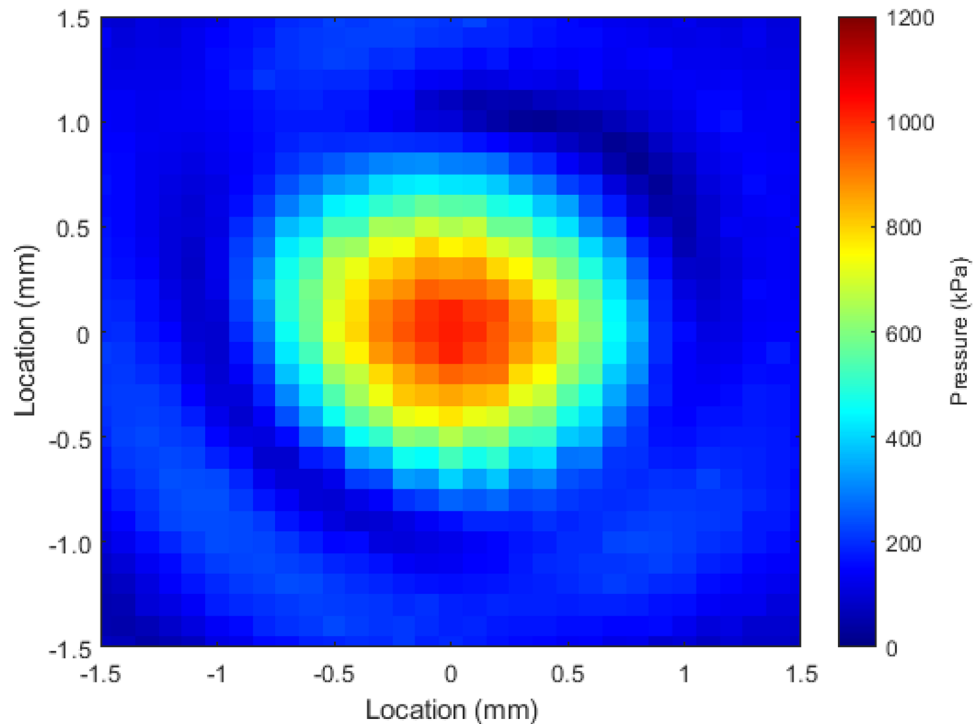


Figure 5. Surface plot of the pressure distribution of a focussed ultrasound transducer operated at 10 Vpp.

3.8 μm . The system was controlled, and data captured by a dedicated computer program produced with LabVIEW (National Instruments, Austin, TX, USA). A focused US transducer was placed facing downwards in the USFM water tank containing degassed water. The needle hydrophone that was used (Precision Acoustics Ltd., Dorchester, UK) had a sensitive area of diameter $\varnothing = 0.2$ mm and was positioned perpendicular to the transducers' active element, and the motion step size was set to be 0.1 mm, approximately 1/3 of the wavelength. During USFM measurement, the focused US transducers were driven at the central frequency by a 33210A signal generator (Keysight Technologies, Santa Rosa, CA, USA), and the input was a continuous sine wave, varied from 1 to 10 Vpp, in 1 Vpp increments. A continuous sine wave was used to promote cavitation effects. The peak-to-peak output voltage (Vpp) was recorded from the hydrophone and analyzed offline for pressure conversion using code produced with MATLAB (The MathWorks Inc., Natick, MA, USA). The USFM code was used to also produce surface plots of the pressure distribution, as shown in Fig. 5, and calculated the beam diameter at -6 dB. The uncertainty in measurement at the appropriate frequency range is ± 1.5 dB.

Acoustic power measurement of transducers. Output acoustic power from the focused US transducers was measured using a commercial radiation force balance (RFB) (Precision Acoustics Ltd., Dorchester, UK) set up with a conical acoustic absorbing target. The power range of the system was 10 mW–100 W, and the frequency range was 1–10 MHz. The absorbing target was suspended in a tank of degassed water, and the transducer was mounted on a stand facing downwards toward the absorbing target. The transducer was lowered until the distance between the transducer and acoustic absorber was equal to the geometric focal distance of the transducer. The transducer was powered by a 33210A signal generator (Keysight Technologies, Santa Rosa, CA, USA). Due to the high sensitivity of the RFB system, it was encased in a draught shield to prevent airflow disturbances and minimize variation. The RFB was connected to a dedicated computer running LabVIEW software (National Instruments, Austin, TX, USA) for data acquisition and analysis. The program directly provides acoustic output power W_{OUT} , considering factors such as frequency, transducer geometry, and water temperature when analyzing the data. The uncertainty in measurement at the appropriate frequency range is $\pm 7\%$. The linearity, efficiency, and intensity were calculated using W_{OUT} . The linearity was obtained by comparing W_{OUT} measured by the RFB with the electrical input power, W_{IN} , driving the transducer. W_{IN} was calculated using Eq. (1).

$$W_{\text{IN}} = \frac{V_{\text{RMS}}^2}{z} = \frac{(V_{\text{PP}}/2\sqrt{2})^2}{Z} \quad (1)$$

where V_{RMS} is the root mean square input voltage, and Z is the electrical impedance magnitude at the relevant frequency. The efficiency was calculated using Eq. (2), where W_{OUT} is the average US output power,

$$\text{Efficiency} = \frac{W_{OUT}}{W_{IN}} \quad (2)$$

The acoustic intensity was then calculated using Eq. (3):

$$I = W_{OUT}/A/A \quad (3)$$

where A is the beam area at the transducer focal plane, taken at -6 dB.

Testing of ultrasound-mediated delivery transducers in ex vivo tissue. 14 CL57BL/6 wild type and 14 $Apc^{Min/+}$ mice, with ages in the range of 50–110 days for WT (mean 85) and 55 and 95 days (mean 70) for $Apc^{Min/+}$, with 12/14 and 10/14 female for WT and $Apc^{Min/+}$, respectively, were sacrificed by cervical dislocation. All experiments involving mice were performed in accordance with UK Home Office approved guidelines and were approved by the Home Office Licensing committee (Project license P3800598E), which operates in accordance with the Animals (Scientific Procedures) Act 1986 (ASPA). The entire intestine was excised via abdominal laparotomy and immediately placed in PBS at 4 °C to maintain tissue quality. The lumen was flushed with cold PBS with a syringe (Becton, Dickson and Company, Franklin Lakes, NJ, USA). The small intestine was divided into sections measuring 80–100 mm and cut along the long axis to expose the mucosa. Each sample was pinned to the acoustic absorber (shown in Supplementary Fig. 2) using 25-gauge hypodermic needles (Becton, Dickson and Company, Franklin Lakes, NJ, USA), with the mucosa facing upwards. The correct orientation of the tissue was confirmed through inspection with a dissection microscope. The tissue pinned to the acoustic absorber was placed into the insonation tank (Supplementary Fig. 2) and submerged in 250 ml PBS at 37 °C. The tank was then transferred to the insonation system and transducer position and orientation fixed using a bracket produced by additive manufacturing (MakerBot, New York City,

NY, USA) attached to a Labview controlled stage carriage for each axes (Velmex Inc., New York City, NY, USA) with functional length $LF = 350$ mm.

Quantum dots (product no. 753866, Sigma-Aldrich Corporation, St. Louis, MO, USA) with a diameter of 6 nm, and an emission wavelength, $\lambda_{EM} = 540$ nm, were prepared in solution with PBS at a concentration of 100 $\mu\text{g}/\text{ml}$. The QD solution was transferred to a 5 mL syringe (Becton, Dickson and Company, Franklin Lakes, NJ, USA) and placed in the insonation system syringe driver. This QD only solution was introduced through the transducer delivery channel at a rate of 1 mL/min for 60 s. A 10 V_{pp} continuous sinusoidal waveform was applied to the transducer for 60 s per sample, producing the specific acoustic parameters presented in Table 1. Control samples consisted of a QD solution transferred onto tissue under the same conditions as above but without insonation. Additionally, the order of insonated and control samples was alternated in different experiments to account for any changes introduced by possible tissue degradation during experiments. Immediately after sonication, tissue was clamped and prepared for fixation.

Additional ex vivo experiments were also conducted on sections of the small intestine obtained from WT pigs, where the acoustic parameters shown in Table 2 were measured to be generated by the same 10 V_{pp} continuous sinusoidal waveform. Sixteen small intestine sections were obtained from 9 pigs, aged 4–6 months and weighing 40–60 kg. Before death, the animals were used in GI experiments related to the testing of other capsules and killed using pentobarbital. No signs of tissue damage were observed due to the testing of these and other capsules³⁷ during *post mortem* examination. *Post mortem* samples were obtained from these animals and used within 20 min to minimize tissue degradation. The small intestine section was excised via abdominal laparotomy and placed in PBS at 4 °C immediately. The section was cut along the long axis to expose the mucosa and washed three times with PBS at 37 °C. It was then cut into smaller sections, 50–75 mm in length and pinned to the acoustic absorber using 25-gauge hypodermic needles (Becton, Dickson and Company, Franklin Lakes, NJ, USA), mucosa facing up. The remaining length of the small intestine was stored at 4 °C in PBS until insonation. The pinned tissue section was placed in the insonation tank, and a solution of 250 ml PBS at 37 °C was added. The remainder of the experiment followed the protocol described for the murine samples.

Immediately post insonation/QD exposure, samples were washed with 37 °C PBS using gentle agitation and rinsed using a syringe containing 37 °C PBS, whilst taking care not to damage the mucosa. Samples were viewed under a 350 nm ultraviolet (UV) lamp (UVGL-58, UVP LLC, Upland, CA, USA) to assess QD uptake, and images were recorded with a digital camera (iPhone 6 s, Apple, Cupertino, CA, USA). Post imaging, the method used to fix the tissue samples varied.

For immunofluorescence staining to determine the location of the QDs in murine tissue, the protocol detailed above for murine tissue was repeated but in this case, instead of a solution only containing QDs, a MB/QD solution was used. The MBs (SonoVue MBs (Bracco Imaging, Milan, Italy) were prepared according to the manufacturer's instructions, which, as per their details, is expected to produce a final concentration of $1-5 \times 10^8$ bubbles/ml saline with MBs of a mean diameter 2.5 μm , and ranging in size from 0.7 to 10 μm . The QD solution prepared by adding 200 μg of QDs to 0.1 mL of PBS. Finally, the QD and MB solutions were added to 1.8 ml of PBS, such that the constituent ratio of the final suspension by volume was 5:5:90 (QD:MB:PBS). This MD/QD solution was introduced through the transducer delivery channel at a rate of 1 mL/min for 60 s. A 10 V_{pp} continuous sinusoidal waveform was applied to the transducer for 90 s per sample. Control samples were also produced whereby the MB/QD solution was provided through the transducer delivery channel at the same rate but without the presence of ultrasound. The order of control and insonated samples was varied to account for the effects of tissue degradation during the experiment. After the experiment, the small intestine samples were placed into either 4% PFA in PBS (Sigma-Aldrich Corporation, St. Louis, MO, USA) or Carnoy's fixative, which are better able to preserve the mucus layer by fixing the mucin²⁷, and were cryoprotected overnight in a solution of 30% sucrose in PBS. The tissue was cut into 1 mm pieces and placed in cryomolds before being

Probe	Laser excitation (μm)	Emission collected (μm)
F actin	594	599–691
Q dots	488	493–604
DAPI	405	410–508

Table 3. Excitation wavelengths of lasers used for laser confocal microscopy detection of probes.

left to incubate in 361603E OCT (VWR International, Radnor, PA, USA) for 30 min. The tissue was placed in the Leica CM1860UV cryostat (Leica Biosystems Nußloch GmbH, Nußloch, Germany) at $-20\text{ }^{\circ}\text{C}$ and left to freeze before being mounted on microtome chucks using OCT. The small intestine was cut into 10–12 μm sections, with 2–3 sections placed onto Leica X-tra adhesive microscope slides (Leica Biosystems Nussloch GmbH, Nußloch, Germany) and left to air dry for 10 min and stored at $-20\text{ }^{\circ}\text{C}$. The edges of the section were blocked with a PAP pen and washed in PBS. The sections were incubated in Texas Red conjugated WGA (10 $\mu\text{g}/\text{ml}$) with Hoechst (1 $\mu\text{g}/\text{ml}$) for 60 min before being mounted using Vectashield anti-fade non-setting mounting agent and imaged using a Zeiss LSM 710 or LSM 880 laser scanning confocal microscopy (Carl Zeiss AG, Oberkochen, Germany). All channels were collected independently. Details of the lasers are provided in Table 3. All sections were visually inspected by an observer for QDs in the tissue as image analysis is not necessary to accentuate the QDs since their fluorescence intensity was several orders of magnitude above background autofluorescence of the tissue. For the small intestine, two areas were sectioned and examined along the entire length of the section (area Q1 = 5400 μm , Q2 = 22,500 μm).

Design and fabrication of ultrasound-mediated delivery capsule. The capsule shell was designed in two parts, with pins locking the two halves together (Fig. 1b). The capsule had a port to attach the tether and provide extra attachment strength. The transducer slot was at an angle such that the focus of the transducer was 1 mm radially distant from the capsule perimeter. This means that the transducer was focused on the luminal surface of the gut wall when the capsule was in contact with the wall of the GI tract³⁷. The capsule was constructed in VeroWhite material using an Objet Connex 500 printer (Stratasys Ltd., Eden Prairie, MN, USA).

A tether was necessary to house the transducer power cable and the delivery channel. The tether had to be flexible enough to prevent distention of the small intestinal wall, which could potentially affect results but also be stiff enough to allow it to be used to push the capsule²¹ into the small intestine. One lesson learned from the earlier capsule is that the tether, a repurposed vascular catheter, was too stiff to be used in the GI tract in vivo. Instead, the tether for the present capsule was a nasoenteric feeding tube (Corpak Medsystems Inc., Alpharetta, GA, USA) with an outer diameter of 3.3 mm, an inner diameter of 2.5 mm, and length of 1.4 m. This tube was flexible but stiff enough to allow the capsule to be pushed into and along the small intestine. The tubing had a graduated scale printed on the outside and was marked every 1 cm, making it possible to determine approximately how far the capsule had been inserted. This tubing allowed the capsule to be inserted up to 1.4 m into the porcine GI tract, thus leaving a further 2.0 m of an external transducer power cable and delivery channel connecting to control equipment. The extra cable ensured adequate space between the pig and measurement equipment during the in vivo experiments.

Medical grade epoxy (EP42HT-2MED, Master Bond Inc., Hackensack, NJ, USA) was manually dispensed by a syringe into the transducer and tether slot in one half of the capsule shell. The transducer and tether were secured in the slot (Fig. 1b), and the epoxy was left to cure overnight at room temperature. The same medical-grade epoxy was also used to join both parts of the capsule shell together and left to cure overnight at room temperature. The fully assembled capsules (Fig. 1c) were visually inspected for voids, and then medical grade epoxy was applied to the interfaces and left to cure at room temperature overnight.

As VeroWhite is not biocompatible, an 8 μm thick conformal coating of Parylene C was applied to the assembled capsule to not only ensure biocompatibility but also to reduce friction between the capsule and the wall of the GI tract. Parylene C was deposited using a vacuum deposition tool (SCS PDS 2010, Specialty Coating Systems, IN, USA). The surfaces were primed with A174 silane adhesion promoter before deposition. Parylene C is a USP Class VI polymer that is commonly used for coating medical devices such as surgical instruments, implants, and medical electronics⁴⁰.

In vivo testing of ultrasound-mediated delivery capsule. The in vivo study has been reported to be compliant with the ARRIVE Guidelines^{41,42} except where stated. Numbers stated in brackets refer to the relevant part of the version of these guidelines that were current when these experiments were conducted⁴¹. The performance of the capsule was measured using in vivo porcine models. Being monogastric and omnivorous makes pigs the optimal, size-relevant species for translational gastrointestinal research [3a]. The tests were conducted in collaboration with the Wellcome Trust Critical Care Laboratory for Large Animals (Roslin Institute, Roslin, Scotland, UK) under license from the UK Home Office (PPL 70/8812). The studies were approved by the Animal Welfare and Ethical Review Board of the Roslin Institute and were carried out in compliance with the terms of the Home Office license and the Animals (Scientific Procedures) Act 1986 (ASPAs).

The in vivo testing primarily aimed to establish capsule safety and function and did not involve formal hypothesis testing. Consequently, a prospective power analysis to determine animal number requirements was not conducted, a control group was not established, nor were steps taken to minimize subjective bias [6]. Four female (Large White X Duroc X Pietrain [8a]) pigs aged between 3 and 6 months and weighing between 40 and

Pig identification number	Age (Months)	Weight (kg)	Maximum depth of insertion (cm)
20170921-P1	3–4	40.0	55.0
20170921-P2	3–4	40.0	40.0
20171109-P1	6	55.0	75.0
20171109-P2	6	52.0	55.0

Table 4. Detailed description of the four pigs used for in vivo delivery. Age, weight and the maximum depth of insertion achieved by the capsule through the stoma are displayed.

55 kg (Table 4) were studied [8a]. Animals were obtained from a high-health herd [8b] maintained by the Scottish Agricultural College (Easter Howgate, Midlothian, Scotland; EH25 9RG). Here, environmental (pen size, bedding material, ambient temperature, ventilation, lighting cycles) and husbandry conditions were maintained according to the Home Office "Code of Practice for the Housing and Care of Animals Bred, Supplied or Used for Scientific Purposes Presented to Parliament according to section 21 (5) of the Animals (Scientific Procedures) Act 1986. For full details of requirements see: Code of Practice: Animals (publishing.service.gov.uk)⁴³ [9a,b, and c]. Specific details pertaining to the current study may be obtained from the corresponding author.

After a clinical veterinary examination to confirm each animal's suitability [9c], animals were delivered to the licensed establishment (Roslin Institute) on the morning of study, and without acclimatization. Concentrated feed (ABN Pig Rearer Pellets; ABN Feeds, Cupar, UK) which had previously been offered twice daily was withheld from 18:00 h on the day before the study, although water was available ad libitum.

The anaesthetic was chosen based on previous experience and published information [7]. Pre-anesthetic medication was midazolam (0.25 mg/kg; Hypnovel; Roche, Welwyn Garden City, UK), morphine (0.25 mg/kg; morphine sulphate; Martindale Pharma, Brentwood, UK), medetomidine (7 µg/kg; Medetor; Dechra, Shrewsbury, UK) and ketamine (7 mg/kg; Ketamidor; Chanelle Pharma, Loughrea, Ireland) administered by the intramuscular route. Anesthesia was induced with isoflurane (IsoFlo; Abbot, Maidenhead, UK), vaporized in a 2:1 nitrous oxide and oxygen, and administered using a Hall-pattern mask connected to a Bain breathing system. A cannula was inserted into the auricular vein and the trachea was intubated with a cuffed endotracheal tube. Anesthesia was maintained with isoflurane delivered according to requirements: vaporizer settings ranged from 2.0 to 3.5%. Lactated Ringer's solution (Aquapharm No. 11, Animalcare UK Ltd., North Yorkshire, UK) was administered throughout the study at 10 ml/kg/h. Normocapnia (PaCO₂ 35–42 mm Hg) was maintained with mechanical lung ventilation of the porcine lungs. Vital signs were continuously monitored through the duration of the experiment by an experienced veterinary anaesthetist. A stoma was surgically created using the full aseptic, in-house technique to allow direct access to the small intestine from the abdomen, bypassing the esophagus and stomach. The small intestine was flushed with PBS through the stoma. Lubrication to facilitate capsule insertion was provided by a saline drip (0.9% by weight, 1–2 drops/s) at the stoma entrance.

The transducer power cable was connected to a DG4102 signal generator (RIGOL Technologies, Beijing, China) and the capsule delivery channel was connected to a NE-1000 syringe driver (New Era Pump Systems Inc., New York City, NY, USA) containing a syringe with a MB/QD solution made prior to the test was estimated to comprise of 50 µg/ml QDs (753866, Sigma Aldrich Corporation, St. Louis, MO, USA) and 1 × 10⁶ MBs/mL (SonoVue MBs (Bracco Imaging, Milan, Italy) MB mean diameter 1.5–2.5 µm) in the provided physiological saline, as shown in the system diagram in Fig. 6. The MB concentration in the purchased vial was between 1.5 and 5.6 × 10⁸ MBs/ml. For the purposes of the syringe solution, the MB concentration was calculated based on the assumption of 3 × 10⁸ MBs/ml, which may have introduced some variation between syringe solutions. The tether was purged immediately prior to each experiment to remove any MB/QD solution from the preceding experiment that may have altered the concentration and size distribution of the solution delivered to the small intestine. Additionally, the time between the adding new MB/QD solution and treatment was kept as short as possible to mitigate the risk of MBs floating that would have also altered the concentration and size distribution of the delivered solution.

Each capsule was inserted through the stoma to a maximum distance at which it was difficult to manipulate the tether through the looping intestine. The distances achieved ranged from 40 to 75 cm (Table 4) as measured from the stoma using the graduated tether. The capsule was then removed from the stoma and cleaned with PBS. This step was necessary to assess the level of bowel preparation. A poorly cleaned bowel impeded capsule advancement and adversely affected insonation results. The capsule was primed before re-insertion by running a 2 ml MB/QD solution through the delivery channel to ensure it was not obstructed. The capsule was re-inserted into the small intestine to the maximum distance achievable and pulled back towards the stoma in positional increments of 10 cm, measured using the scale on the tether, with 'treatment' was delivered at each position. Different insonation/control parameters were applied at each incremental position to deliver the QDs, with the final location 10 cm from the stoma (Table 5). The change from a 10 Vpp voltage applied to the transducer during ex-vivo tests to the 8 Vpp used during the in-vivo tests was necessary to ensure the same acoustic outputs due to variances between the two transducers used. This would result in 66.5 mW of lost power due to the efficiency of the transducers. If this has been converted primarily into heat, it is still less than the 100 mW threshold that will cause temperature rises above 43 °C that will lead to tissue damage³⁷. To test each set of parameters required 30 cm of small intestine. Therefore, the maximum number of experimental sets achievable per pig was two due to the maximum penetration depth achieved.

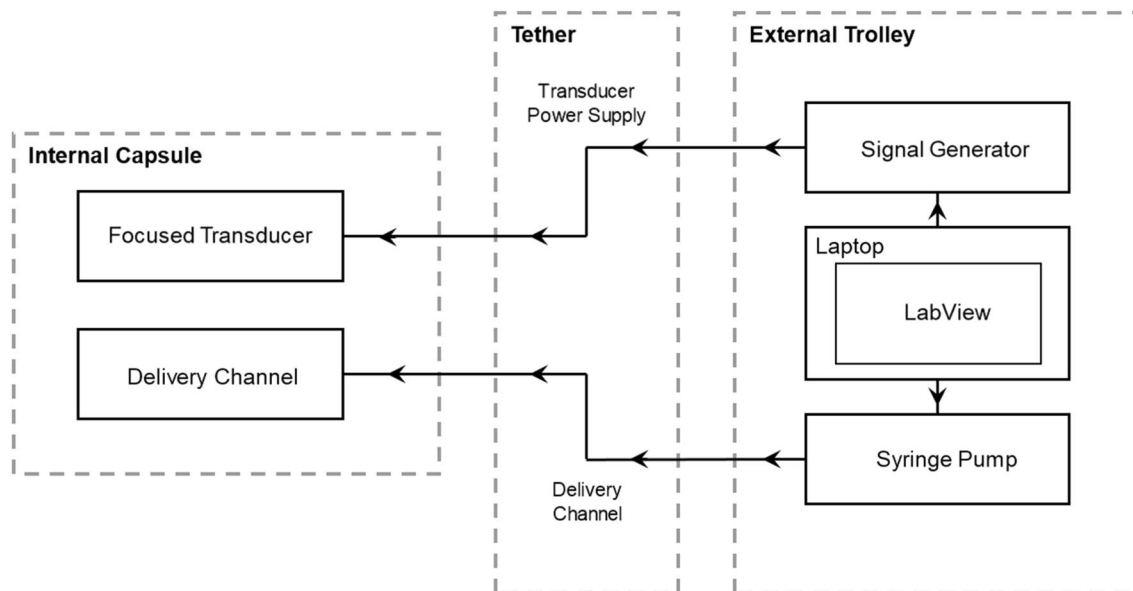


Figure 6. Schematic diagram of the capsule setup for the in vivo trial.

	Ultrasound sine wave parameters			QD/MB flow parameters	
	Frequency (MHz)	Amplitude (V_{pp})	Duration (s)	Flow rate (mL/hr)	Duration (s, $t_0 = 30$ s)
Insonation	3.98	8.0	90.0	60.0	60.0
Control	3.98	8.0	90.0	NA	
Control	NA	NA	NA	60.0	60.0

Table 5. In vivo porcine experimental parameters.

Material	Source	Cat. no	Excitation	Emission	Label/dye	Dilution or concentration
Phalloidin	Invitrogen	A12380	578	600	Alexa Fluor 568	1:40
DAPI	Sigma-Aldrich	D9542	340	488	–	1:5000
WGA	Invitrogen	W21405	595	615	Texas Red-X	10 μ g/ml

Table 6. List of Immunofluorescent stains used.

No important adverse events relating to the animals, the anaesthetics, and the surgical preparation were encountered in any of the studies [17a]. No methodological changes were introduced during the study [17b]. Once all studies were completed, animals were euthanized while anesthetized using pentobarbital (Pentobarbital 20%; Animalcare, York, UK) without recovery from anaesthesia.

Mucosal analysis. Once death was confirmed, small intestine sections were removed via abdominal laparotomy. The sections that had been sonicated were identified by measuring the distance from the stoma. Sections were cut along the long axis and placed on a tray, mucosa facing upward. These sections were placed in PBS at 4 °C immediately. The tissue was washed three times with PBS at 37 °C, taking care not to damage the mucosa. The tissue was taken to a dark room and visualized under 350 nm UV light using a UV lamp (UVGL-58, UVP LLC, Upland, CA, USA). The images were acquired using the digital camera of an iPhone 6 due to expediency and convenience during the time critical nature of this step after the tissue had been excised. Post-imaging, tissue samples were fixed in freshly prepared 4% PFA, pre-warmed to 37 °C, for 10 min. After fixing, tissue was cut with a sterile scalpel into a 10 mm \times 10 mm region around the treated area. Care was taken not to disturb the insonated area. The tissue permeabilized with 1 ml permeabilization buffer (2% TX100 in PBS) in a 2 ml Eppendorf tube for 2 h on a rocking table (Stuart Scientific 3D Rocking Platform, STR9 set to 35 rev min⁻¹) before washing (3 \times 20 min) in PBS. 1 ml of staining solution consisting of phalloidin and DAPI (Table 6) was added. PBS was added to each sample in a 2 ml Eppendorf tube wrapped in foil and due to the relative thickness of the porcine tissue compared to the murine tissue previously stained the foiled wrapped sample was left for 72 h on a rocking table at 4 °C. After staining, samples were washed 3 \times 20 min in PBS on a rocking table. Samples were

imaged using a Zeiss 710 confocal microscope (Carl Zeiss AG, Oberkochen, Germany) and Z-stacks were taken at the appropriate locations for each sample.

Received: 28 January 2020; Accepted: 14 January 2021

Published online: 28 January 2021

References

1. Borner, M. *et al.* Patient preference and pharmacokinetics of oral modulated UFT versus intravenous fluorouracil and leucovorin. *Eur. J. Cancer* **38**, 349–358 (2002).
2. Wilson, C. G. & Crowley, P. J. *Controlled Release in Oral Drug Delivery*. (Springer US, 2011). doi:<https://doi.org/10.1007/978-1-4614-1004-1>.
3. Vllasaliu, D., Thanou, M., Stolnik, S. & Fowler, R. Recent advances in oral delivery of biologics: nanomedicine and physical modes of delivery. *Expert Opin. Drug Deliv.* **15**, 759–770 (2018).
4. Moroz, E., Matorri, S. & Leroux, J.-C. Oral delivery of macromolecular drugs: where we are after almost 100 years of attempts. *Adv. Drug Deliv. Rev.* **101**, 108–121 (2016).
5. Goldberg, M. & Gomez-Orellana, I. Challenges for the oral delivery of macromolecules. *Nat. Rev. Drug Discov.* **2**, 289–295 (2003).
6. Podolsky, D. K. Inflammatory bowel disease. *N. Engl. J. Med.* **325**, 928–937 (1991).
7. Kaur, G., Arora, M. & Ravi Kumar, M. N. V. Oral drug delivery technologies—a decade of developments. *J. Pharmacol. Exp. Ther.* **370**, 529–543 (2019).
8. Traverso, G. *et al.* Microneedles for drug delivery via the gastrointestinal tract. *J. Pharm. Sci.* **104**, 362–367 (2015).
9. Cummins, G. *et al.* Gastrointestinal diagnosis using non-white light imaging capsule endoscopy. *Nat. Rev. Gastroenterol. Hepatol.* **16**, 429–447 (2019).
10. Steiger, C. *et al.* Ingestible electronics for diagnostics and therapy. *Nat. Rev. Mater.* **4**, 83–98 (2019).
11. van der Schaar, P. J. *et al.* A novel ingestible electronic drug delivery and monitoring device. *Gastrointest. Endosc.* **78**, 520–528 (2013).
12. Parr, A. F. *et al.* Evaluation of the feasibility and use of a prototype remote drug delivery capsule (RDDC) for non-invasive regional drug absorption studies in the GI tract of man and beagle dog. *Pharm. Res.* **16**, 266–271 (1999).
13. Wilding, I. *et al.* Development of a new engineering-based capsule for human drug absorption studies. *Pharm. Sci. Technol. Today* **3**, 385–392 (2000).
14. Schoellhammer, C. M. *et al.* Ultrasound-mediated gastrointestinal drug delivery. *Sci. Transl. Med.* **7**, 310ra168 (2015).
15. Fix, S. M. *et al.* Ultrasound-stimulated phase-change contrast agents for transepithelial delivery of macromolecules, toward gastrointestinal drug delivery. *Ultrasound Med. Biol.* **45**, 1762–1776 (2019).
16. Escoffre, J.-M. & Bouakaz, A. *Therapeutic Ultrasound* (Springer, Berlin, 2016). <https://doi.org/10.1007/978-3-319-22536-4>.
17. Chen, H. & Hwang, J. Ultrasound-targeted microbubble destruction for chemotherapeutic drug delivery to solid tumors. *J. Ther. Ultrasound* **1**, 10 (2013).
18. Sirsi, S. R. & Borden, M. A. Microbubble compositions, properties and biomedical applications. *Bubble Sci. Eng. Technol.* **1**, 3–17 (2009).
19. Lentacker, I., De Cock, I., Deckers, R., De Smedt, S. C. & Moonen, C. T. W. Understanding ultrasound induced sonoporation: definitions and underlying mechanisms. *Adv. Drug Deliv. Rev.* **72**, 49–64 (2014).
20. Stewart, F. *et al.* Development of a therapeutic capsule endoscope for treatment in the gastrointestinal Tract: bench testing to translational trial. In *2017 IEEE International Ultrasonics Symposium (IUS)* 1–1 (IEEE, 2017). <https://doi.org/10.1109/ULTSYM.2017.8092467>.
21. Stewart, F. *et al.* A prototype therapeutic capsule endoscope for ultrasound-mediated targeted drug delivery. *J. Med. Robot. Res.* **03**, 1840001 (2018).
22. Stewart, F. R. *et al.* Acoustic sensing and ultrasonic drug delivery in multimodal theranostic capsule endoscopy. *Sensors* **17**, 1553 (2017).
23. Barroso, M. M. Quantum dots in cell biology. *J. Histochem. Cytochem.* <https://doi.org/10.1369/0022155411398487> (2011).
24. Rosenberg, D. W., Giardina, C. & Tanaka, T. Mouse models for the study of colon carcinogenesis. *Carcinogenesis* <https://doi.org/10.1093/carcin/bgn267> (2009).
25. Grivennikov, S. I. *et al.* Adenoma-linked barrier defects and microbial products drive IL-23/IL-17-mediated tumour growth. *Nature* **491**, 254–258 (2012).
26. Fatehullah, A. *et al.* Increased variability in ApcMin/+ intestinal tissue can be measured with microultrasound. *Sci. Rep.* **6**, 29570 (2016).
27. Hasegawa, Y., Mark Welch, J. L., Rossetti, B. J. & Borisy, G. G. Preservation of three-dimensional spatial structure in the gut microbiome. *PLoS ONE* <https://doi.org/10.1371/journal.pone.0188257> (2017).
28. Turcanu, M. V. *et al.* Ultrasound and Microbubbles Promote the Retention of Fluorescent Compounds in the Small Intestine. In *2018 IEEE International Ultrasonics Symposium (IUS)* 1–4 (IEEE, 2018). <https://doi.org/10.1109/ULTSYM.2018.8580036>.
29. Lai, S. K., Wang, Y.-Y. & Hanes, J. Mucus-penetrating nanoparticles for drug and gene delivery to mucosal tissues. *Adv. Drug Deliv. Rev.* **61**, 158–171 (2009).
30. Stride, E. P. & Coussios, C. C. Cavitation and contrast: The use of bubbles in ultrasound imaging and therapy. *Proc. Inst. Mech. Eng. H J. Eng. Med.* <https://doi.org/10.1243/09544119JEIM622> (2010).
31. Abramson, A. *et al.* An ingestible self-orienting system for oral delivery of macromolecules. *Science (80-)* **363**, 611–615 (2019).
32. Groening, R. & Bensmann, H. High frequency controlled capsules with integrated gas producing cells. *Eur. J. Pharm. Biopharm.* **72**, 282–284 (2009).
33. Boegh, M. & Nielsen, H. M. Mucus as a barrier to drug delivery—understanding and mimicking the barrier properties. *Basic Clin. Pharmacol. Toxicol.* **116**, 179–186 (2015).
34. Ensign, L. M., Cone, R. & Hanes, J. Oral drug delivery with polymeric nanoparticles: the gastrointestinal mucus barriers. *Adv. Drug Deliv. Rev.* **64**, 557–570 (2012).
35. Michielan, A. & D’Inca, R. Intestinal permeability in inflammatory bowel disease: pathogenesis, clinical evaluation, and therapy of leaky gut. *Mediat. Inflamm.* <https://doi.org/10.1155/2015/628157> (2015).
36. Cox, B. F., Stewart, F., Huang, Z., Nathke, I. S. & Cochran, S. Ultrasound facilitated marking of gastrointestinal tissue with fluorescent material. In *2016 IEEE International Ultrasonics Symposium (IUS)* 1–4 (IEEE, 2016). <https://doi.org/10.1109/ULTSYM.2016.7728782>.
37. Lay, H. *et al.* In-vivo evaluation of microultrasound and thermometric capsule endoscopes. *IEEE Trans. Biomed. Eng.* **66**, 632–639 (2018).
38. Al-Rawhani, M. A., Beeley, J. & Cumming, D. R. S. Wireless fluorescence capsule for endoscopy using single photon-based detection. *Sci. Rep.* **5**, 18591 (2015).

39. Beeley, J. *et al.* Imaging fluorophore-labelled intestinal tissue via fluorescence endoscope capsule. *Proceedings* **2**, 766 (2018).
40. Kuppasami, S. & Oskouei, R. H. Parylene coatings in medical devices and implants: a review. *Univ. J. Biomed. Eng.* <https://doi.org/10.13189/ujbe.2015.030201> (2015).
41. Kilkenny, C., Browne, W. J., Cuthill, I. C., Emerson, M. & Altman, D. G. Improving bioscience research reporting: the ARRIVE guidelines for reporting animal research. *PLoS Biol.* **8**, e1000412 (2010).
42. Kilkenny, C. & Altman, D. G. Improving bioscience research reporting: ARRIVE-ing at a solution. *Lab. Anim.* **44**, 377–378 (2010).
43. Her Majesty's Government. Code of practice for the housing and care of animals bred, supplied or used for scientific purposes. https://assets.publishing.service.gov.uk/government/uploads/system/uploads/attachment_data/file/388535/CoPanimalsWeb.pdf (2014).

Acknowledgements

Financial support is gratefully acknowledged from the UK Engineering and Physical Sciences Research Council (EPSRC), Grant EP/K034537 (Sonopill Programme), and the Biotechnology and Biological Sciences Research Council (BBSRC), Grant BB/M017079/1. Microscope access was provided by the Dundee Imaging Facility; the Zeiss LSM 880 Airyscan microscope was funded by an MRC Grant to the Protein Phosphorylation and Ubiquitylation Unit.

Author contributions

F.S. conceived and conducted most experiments, designed and built the capsule, and analyzed results. G.C. contributed to the design, manufacturing, and assembly of the capsule as well as drafting the initial manuscript. M.T. conducted some of the experiments using mouse tissue; and contributed to the design of experiments and analysis of results. B.C. prepared the mouse and tissue for sonication, contributed to the design of experiments, conducted the *in vivo* experiments, and analyzed the results. A.P. processed, imaged, and analyzed the results of the cross-sectional imaging of murine intestinal mucosa. I.P.N. conducted preliminary murine experiments, helped with data acquisition from murine studies, and contributed to the design and running of those experiments. E.C. contributed to the design of the *in vivo* experiments and conducted them. M.Y.P.D. contributed to the writing of the manuscript and provision of resources for the manufacturing and assembly of capsules. M.T. contributed to the supervision and planning of all aspects of this work. H.M. contributed to the planning and supervision of microbubble experiments and UmTDD delivery, provision of equipment, and discussion of the results. S.C. contributed to the supervision and planning of all aspects of this work, analysis of the experimental results, and provision of resources required for the experiments. I.N. contributed to experiments, the writing of the manuscript, provision of resources for biological experiments, and supervision of all aspects of this work. All authors reviewed the manuscript.

Competing interests

The authors declare no competing interests.

Additional information

Supplementary Information The online version contains supplementary material available at <https://doi.org/10.1038/s41598-021-82240-1>.

Correspondence and requests for materials should be addressed to F.S. or G.C.

Reprints and permissions information is available at www.nature.com/reprints.

Publisher's note Springer Nature remains neutral with regard to jurisdictional claims in published maps and institutional affiliations.



Open Access This article is licensed under a Creative Commons Attribution 4.0 International License, which permits use, sharing, adaptation, distribution and reproduction in any medium or format, as long as you give appropriate credit to the original author(s) and the source, provide a link to the Creative Commons licence, and indicate if changes were made. The images or other third party material in this article are included in the article's Creative Commons licence, unless indicated otherwise in a credit line to the material. If material is not included in the article's Creative Commons licence and your intended use is not permitted by statutory regulation or exceeds the permitted use, you will need to obtain permission directly from the copyright holder. To view a copy of this licence, visit <http://creativecommons.org/licenses/by/4.0/>.

© The Author(s) 2021