



<b>Title</b>	<b>Configurable Architectures For Multi-mode Floating Point Adders</b>
<b>Author(s)</b>	<b>Jaiswal, MK; Bogaraju, SV; So, HKH; Balakrishnan, M; Paul, K; Cheung, RCC</b>
<b>Citation</b>	<b>IEEE Transactions On Circuits And Systems I: Regular Papers, 2015, v. 62, p. 2079-2090</b>
<b>Issued Date</b>	<b>2015</b>
<b>URL</b>	<b><a href="http://hdl.handle.net/10722/214166">http://hdl.handle.net/10722/214166</a></b>
<b>Rights</b>	<b>Creative Commons: Attribution 3.0 Hong Kong License</b>

# Configurable Architectures for Multi-Mode Floating Point Adders

Manish Kumar Jaiswal, B. Sharat Chandra Varma, Hayden K.-H. So, M. Balakrishnan, Kolin Paul, and Ray C. C. Cheung

**Abstract**—This paper presents two architectures for floating point (FP) adders, which operates in multi-mode configuration with multi-precision support. First architecture (named QPdDP) works in dual-mode which can operate either for quadruple precision or two-parallel double precision. The second architecture (named QPdDPqSP) works in tri-mode which is able to compute either of a quadruple precision, two-parallel double precision and four-parallel single precision computations. The architectures are based on the standard state-of-the-art flow for FP adder which supports the computation of normal and sub-normal operands, along with the support for the exceptional case handling. The key components in the architecture, such as comparator, swap, dynamic shifters, leading-one-detector (LOD), mantissa adders/subtractors, and rounding circuit, are re-designed and optimized for multi-mode computation, to enable efficient resource sharing for multi-precision operands. The data-path in each multi-mode architecture is tuned for multi-precision support with minimal multiplexing circuitry overhead. These proposed architectures provide multi-precision SIMD support for lower precision operands, along with high precision computational support, and thus, have a better resource utilization. A fully pipelined version of both adder architectures are presented. The proposed adder architectures are synthesized using UMC 90 nm technology ASIC implementation. The proposed architectures are compared with the best available literature works, and have shown better design metrics in terms of area, delay and  $area \times period$ , along with more computational support.

**Index Terms**—ASIC, configurable architecture, digital arithmetic, floating point addition, multi-mode multi-precision arithmetic, SIMD.

## I. INTRODUCTION

THE FLOATING point (FP) number system [1], due to its wide dynamic range, is a common choice for a large set of scientific, engineering and numerical processing computations. Generally, the performance of these computations greatly depends on the underlying floating point arithmetic processing unit. Several contemporary general purpose processors provide SIMD support for parallel floating point arithmetic computation. This is achieved by using multiple units of single precision and double precision arithmetic hardware.

Manuscript received February 25, 2015; revised May 04, 2015; accepted May 31, 2015. Date of current version July 24, 2015. This work is partly supported by the The University of Hong Kong grant (Project Code. 201409176200), the Research Grants Council of Hong Kong (Project ECS 720012E), and the Croucher Innovation Award 2013. This paper was recommended by Associate Editor S. Ghosh.

M. K. Jaiswal, B. S. C. Varma, and H. K.-H. So are with Department of EEE, the University of Hong Kong, Hong Kong, China (e-mail: manishkj@eee.hku.hk; varma@eee.hku.hk; hso@eee.hku.hk).

M. Balakrishnan and K. Paul are with Department of CSE, Indian Institute of Technology, Delhi, India (e-mail: mbala@cse.iitd.ernet.in; kolin@cse.iitd.ernet.in).

R. C. C. Cheung is with Department of EE, City University of Hong Kong, Hong Kong, China (e-mail: r.cheung@cityu.edu.hk).

Digital Object Identifier 10.1109/TCSI.2015.2452351

To provide much higher floating point computational support, several custom high performance computing machines from major semiconductor companies like Intel, IBM, ARM, and Nvidia, provide huge multi-core computing systems. Each core in these generally contains a larger vector floating point unit (VFU). The VFU units in these computing system cores contain separate vector processing arrays of single precision and double precision computational units. Like the Synergetic Processing Element (SPE), in Cell-BE processor [2] from IBM, contains a vector array of 4 single precision and an array of 2 double precision. The ARM VFU coprocessor (VFU9-S) [3] provides a vector array of 16 single precision FP units and 8 double precision vector array. Like wise, the Intel has developed a 60 core Xeon Phi<sup>TM</sup> computing machine, in which each core contains an array of 16 single precision units and an array of 8 double precision units. Similarly, the Nvidia's next generation CUDA<sup>TM</sup> architecture: Kepler<sup>TM</sup> GK110 [4] contains 15 Streaming Multiprocessor (SMX), in which each SMX contains 192 single precision core and 64 double precision core. Generally, these processing systems contain separate units/arrays for single precision and double precision computations. However, if a unified dynamically configurable computational unit can support a double precision with dual/two-parallel single precision (DPdSP) arithmetic, or quadruple precision with dual/two-parallel double precision (QPdDP) arithmetic, it can save a large silicon area in the above computing machines.

Furthermore, the availability for double precision arithmetic computation is not enough and the demand for high precision arithmetic is increasing in many application areas [5], [6]. In this view, this paper is aimed towards the configurable multi-mode multi-precision floating arithmetic architecture design, currently aiming towards the addition/subtraction arithmetic, with high precision support.

Some literature have focused on the standard cell based ASIC architectures for configurable dual-mode multi-precision floating point arithmetic, included with quadruple precision support [7]–[17]. Many of these works [7]–[11] are dedicated to the dual-mode multiplier design, and [12] proposed a dual-mode FMA architecture. Isseven *et al.* [14] proposed a dual-mode division architecture. Some literature [15]–[17] have proposed dual-mode architectures for adder. These works have tried to improve the resource utilization for the hardware with multi-precision computational support. However, the overhead of extra hardware, and unoptimized data-path and resource sharing lead to large overhead of area and delay metrics. Furthermore, they have limited support only for normal operands. The dual-mode adder architectures of [15], [16] used a large number of multiplexers (to support dual mode) at various level of architecture, and have less tuned data path for

dual mode operation. Further the extra use of resources (like more adders/subtractors for exponent and mantissa, relatively larger dual shifters, extra mantissa normalizing shifters for dual mode support) made their area and delay overhead larger. Some recent literature by [18], [19] have also worked on the dual-mode DPdSP addition and division architectures.

This work is built on top of the work proposed by Jaiswal *et al.* [18] for dual-mode DPdSP adder architecture. This paper is extending the idea of dual-mode DPdSP adder architecture to the dual-mode QPddP (quadruple precision with dual/two-parallel double precision) adder architecture. Furthermore, this paper also proposes a new tri-mode QPddPqSP (quadruple precision with dual/two-parallel with quad/four-parallel single precision) adder architecture. The tri-mode adder architecture is a fresh proposal. The computational components of the floating point adder arithmetic are constructed for the on-the-fly or configurable multi-mode multi-precision support. The data-path is tuned for better resource sharing and to minimize the multiplexing circuitry. All the proposed architectures are provided with the full supports for normal as well as sub-normal operands computation, exceptional case handling, and with round-to-nearest rounding method. Other rounding methods can also be easily included. Both architectures are designed with 4-stage pipeline and synthesized for a 90 nm standard cell based ASIC implementation. The proposed architectures are compared with the best optimized implementations available in the literature. The main contributions of this work can be summarized as follows:

- A dual-mode QPddP adder architecture is proposed which can process either a Quadruple Precision or dual (two parallel) Double Precision addition/subtraction. An architecture for tri-mode QPddPqSP adder is also proposed, which can process either a Quadruple Precision or dual (two parallel) Double Precision or quad (four parallel) Single Precision additions/subtractions.
- Both proposed architectures provide high precision computational support as well as SIMD support for the lower precision computations.
- The architectural sub-components and data-path are constructed for the configurable multi-mode operation, which enables efficient resource utilization with multi-precision support.
- The proposed dual-mode QPddP architecture has smaller *area × period* metric in comparison with the best available literature. Moreover, the proposal on tri-mode QPddPqSP architecture also shows a promising design metrics, and stand as a fresh contribution on tri-mode adder architecture.

This manuscript is organized as follows. Section II briefly discusses the basic algorithmic flow of the floating point adder arithmetic, which is used in current context for multi-mode processing. Section III describes the proposed dual-mode QPddP adder architecture and Section IV discusses the proposed tri-mode QPddPqSP adder architecture. The detail implementation results and related comparisons with previous literature work are presented in the Section V. Finally, the manuscript is concluded in Section VI.

## II. BACKGROUND

The present work on the multi-mode floating point adder architecture follows the basic single-path algorithm for this com-

putation. A floating point arithmetic computation involves computing separately the sign, exponent and mantissa part of the operands, and later combine them after rounding and normalization [1]. The standard format for floating point numbers are as follows:

$$\begin{array}{l}
 \text{Sign} \quad \text{Exponent} \quad \text{Mantissa} \\
 SP : \overbrace{1}^{1\text{-bit}} \overbrace{8}^{8\text{-bit}} \overbrace{23}^{23\text{-bit}} \\
 \text{Sign} \quad \text{Exponent} \quad \text{Mantissa} \\
 DP : \overbrace{1}^{1\text{-bit}} \overbrace{11}^{11\text{-bit}} \overbrace{52}^{52\text{-bit}} \\
 \text{Sign} \quad \text{Exponent} \quad \text{Mantissa} \\
 QP : \overbrace{1}^{1\text{-bit}} \overbrace{15}^{15\text{-bit}} \overbrace{112}^{112\text{-bit}}
 \end{array}$$

A basic state-of-the-art computational flow of the floating point adder is shown in the Algorithm 1. Here, steps 6–7 and step-22 require for sub-normal processing. Sub-normals represents the numbers whose magnitude fall beyond the minimum normal format value. The sub-normal representation helps in preserving the underflow result of a computation, which can not be represented by a valid normal number. The unification of these normal and sub-normal number in floating point representation, generally, makes the floating point computation a tough task. In present work of multi-mode multi-precision architectures, each steps of the flow are constructed for the support of the multi-mode operation with resource sharing and tuned data-path with minimum multiplexing circuitry.

---

### Algorithm 1 FP Adder Computational Flow [1]

---

```

1: (IN1, IN2) Input Operands;
2: Data Extraction & Exceptional Check-up:
3: {S1 (Sign1), E1 (Exponent1), M1 (Mantissa1)} ← IN1
4: {S2, E2, M2} ← IN2
5: Check for INFINITY, NAN
6: Check for SUB-NORMALS
7: Update Exponents & Mantissa's MSB for SUB-NORMALS
8: COMPARE, SWAP & Dynamic Right SHIFT:
9: IN1_gt_IN2 ← {E1, M1} > {E2, M2}
10: Large_E, M ← IN1_gt_IN2 ? E1, M1 : E2, M2
11: Small_E, M ← IN1_gt_IN2 ? E2, M2 : E1, M1
12: Right_Shift ← Large_E - Small_E
13: Small_M ← Small_M ≫ Right_Shift
14: Mantissa Computation:
15: OP ← S1 ⊕ S2
16: if OP == 1 then
17:   Add_M ← Large_M + Small_M
18: else
19:   Add_M ← Large_M - Small_M
20: Leading-One-Detection & Dynamic Left SHIFT:
21: Left_Shift ← LOD (Add_M)
22: Left_Shift ← Adjustment for SUB-NORMAL or Underflow
23: Add_M ← Add_M ≪ Left_Shift
24: Normalization & Rounding:
25: Mantissa Normalization & Compute Rounding ULP based on Guard, Round & Sticky Bit
26: Add_M ← Add_M + ULP
27: Large_E ← Large_E + Add_M [MSB] - Left_Shift
28: Finalizing Output:
29: Update Exponent & Mantissa for Exceptional Cases
30: Determine Final Output

```

---

## III. CONFIGURABLE QUADRUPLE PRECISION/DUAL (TWO-PARALLEL) DOUBLE PRECISION (QPDDP) ADDER ARCHITECTURE

The architecture for proposed QPddP adder is presented here to provide the higher precision requirements of the applications, with dual-mode support. The computational flow of the QPddP

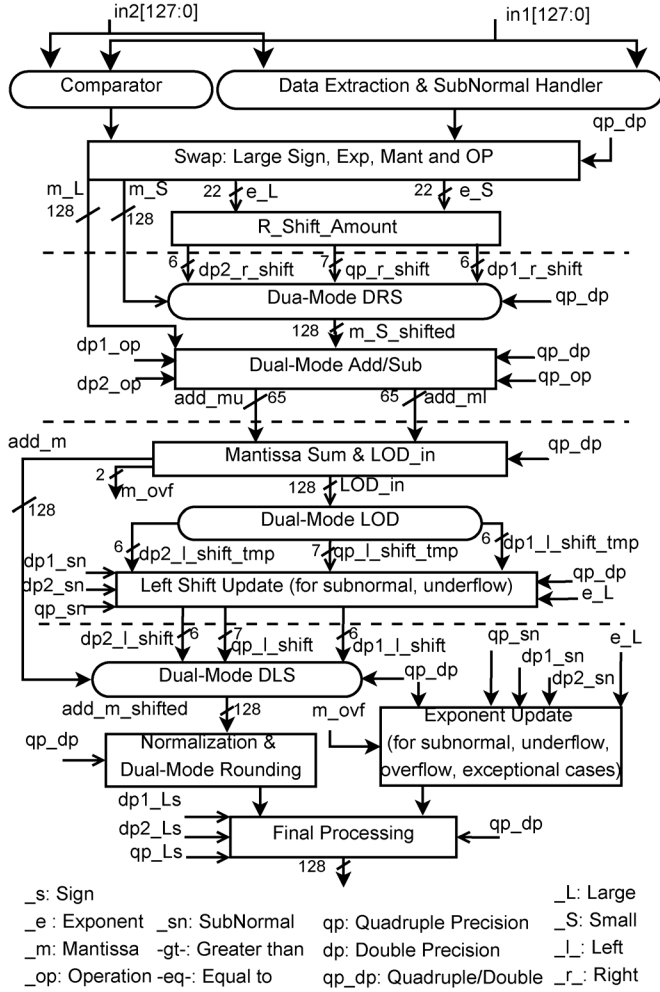


Fig. 1. QPdDP adder architecture.

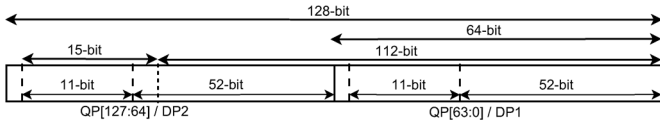


Fig. 2. QPdDP adder: Input/output register format.

adder architecture is based on the Algorithm 1 and the architecture is shown in Fig. 1. The input/output register for this architecture is assumed as shown in Fig. 2. The two 128-bit input operands, contain either 1 set of quadruple precision or 2 sets of double precision operands. Based on the mode deciding control signal ( $qp\_dp$ ), the dual-mode architecture switched to either quadruple precision or dual (two-parallel) double precision computation mode ( $qp\_dp$ : 1  $\rightarrow$  QP Mode,  $qp\_dp$ : 0  $\rightarrow$  Dual DP Mode). All the computational steps in QPdDP dual mode adder are discussed below in detail.

The data-extraction, sub-normal, and exceptional handling are shown in the Fig. 3. Based on the precision format, the sign, exponent and mantissa parts of the operands are extracted for both, the quadruple precision and double precision.

As appeared in Fig. 2 that the exponent portion of QP and second DP (DP-2) operand are overlapped.

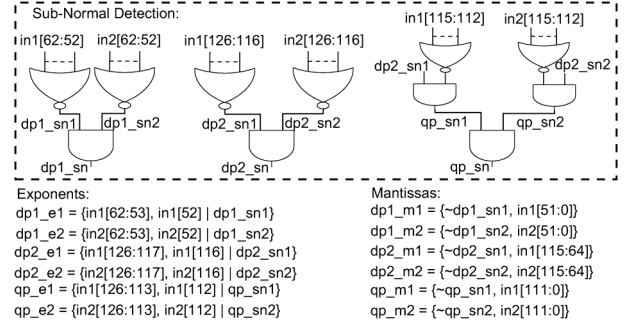
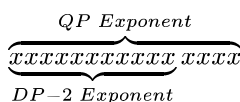
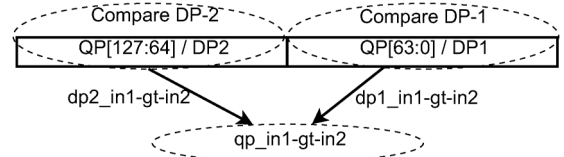


Fig. 3. QPdDP adder: Data extraction and subnormal handler.



DP-Comparisons:

$$dp1\_in1-gt-in2 = (in1[62:0] > in2[62:0]) ? 1 : 0$$

$$dp2\_in1-gt-in2 = (in1[127:64] > in2[127:64]) ? 1 : 0$$

QP-Comparison:

$$dp2\_in1-eq-in2 = (in1[126:64] == in2[126:64]) ? 1 : 0$$

$$qp\_in1-gt-in2 = dp2\_in1-gt-in2 \mid (dp2\_in1-eq-in2 \ \& \ ((in1[63] \ \& \ \sim in2[63]) \ \mid \ (in1[63] \ \sim in2[63]) \ \& \ dp1\_in1-gt-in2))$$

Fig. 4. QPdDP adder: Comparator.

This scenario is used to share the resources related to sub-normal, infinity, and NaN detection of QP and second DP operands. The detection of sub-normals are shown in the Fig. 3, which detects the zero value of corresponding exponent. Similarly, the checks for infinity and NaN are handled (which detects the maximum binary value of corresponding exponent). After these exceptional checks the exponent and mantissa are updated accordingly, as shown in Fig. 3. In comparison to only QP computation, this unit requires extra related resources for first DP (DP-1) operands.

The dual-mode comparator unit for dual-mode QPdDP adder is shown in Fig. 4. The comparator unit determines which operand is large and which one is small. This unit is shared among the QP and both DP operands. It is comprised of two comparator units for both DPs operands, which generates their corresponding comparison results. These DP results are further combined to form QP comparison. The individual “greater-than” and “equivalent” functions are designed using following Boolean functions:

$$\begin{aligned}
 (in1 > in2) &= \overline{in1_n \cdot in2_n} + \overline{(in1_n \oplus in2_n) \cdot in1_{n-1} \cdot in2_{n-1}} + \dots \\
 &\dots + \overline{(in1_n \oplus in2_n)} \dots \overline{(in1_1 \oplus in2_1) \cdot in1_0 \cdot in2_0} \\
 (in1 == in2) &= \overline{(in1_n \oplus in2_n)} \dots \dots \overline{(in1_0 \oplus in2_0)}
 \end{aligned}$$

In terms of resources, this dual-mode comparator unit requires similar resources as needed in only QP comparator, and there is no area overhead in this unit.

The next computational unit in this architecture is the Dual-Mode SWAP, which generates large sign (effectively output sign-bit), small and large exponents, small and large mantissas and effective operations (to be performed between large and small mantissas). This computational unit is shown in Fig. 5. For SWAP, in general to handle both DPs and QP, it needs four 11-bit (for both DP exponents), two 15-bit (for QP

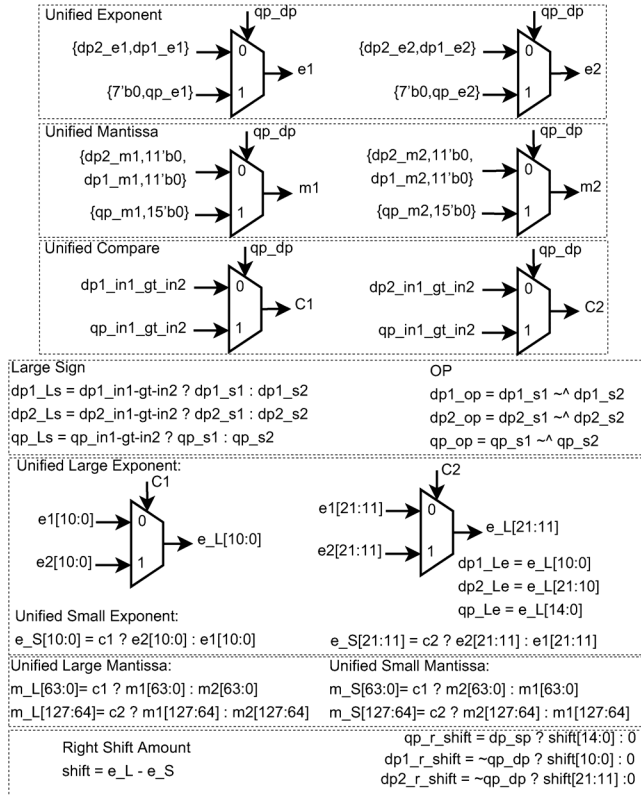


Fig. 5. QPdpDP Adder: SWAP—Large sign, exponent, mantissa, and operation; right shift amount.

exponents), four 53-bit (for both DP mantissas) and two 113-bit (for QP mantissa) SWAP components for all the computations of this section. However, to minimize the swapping overhead, the unified exponents, mantissas, and greater-than control signals are generated by multiplexing either of the quadruple precision or both double precision operands (as shown in Fig. 5).

This is an important step included in the dual-mode QPdpDP architectural flow, which helps to design a tuned data-path computation in later stages, with reduced multiplexing circuitry. Using these unified exponents, mantissas and greater-than control signals, it requires only four 11-bit (for exponents) and four 64-bit (for mantissas) SWAP circuitry for entire processing. Effectively, it needs SWAP components slightly more than it requires for only QP (only QP requires two 15-bit SWAP for exponents and two 113-bit SWAP for mantissas), along with extra multiplexing circuitry needed to generate unified signals, however, facilitates the tuned data-path processing. Further, among extra appended LSB ZEROs in mantissa multiplexing (for  $m_1$  and  $m_2$ ), 3-bit are for Guard, Round, and Sticky bit computations in rounding phase, and remaining can provide extended precision support to the operands.

The basic functional component in SWAP unit is 2:1 MUX (for unified data generation) and few  $xn\text{or}$  gates (for effective operation, OP). The 2:1 MUX is implemented using simple Boolean logic as  $(y = sel.A + \overline{sel}.B)$ . The  $m_L$  contains mantissa of either large QP operand or both of large DP operands. Similarly,  $m_S$  contains small mantissas. Likewise,  $e_L$  contains large exponent, and  $e_S$  contains small exponents, either of QP or both DP operands.

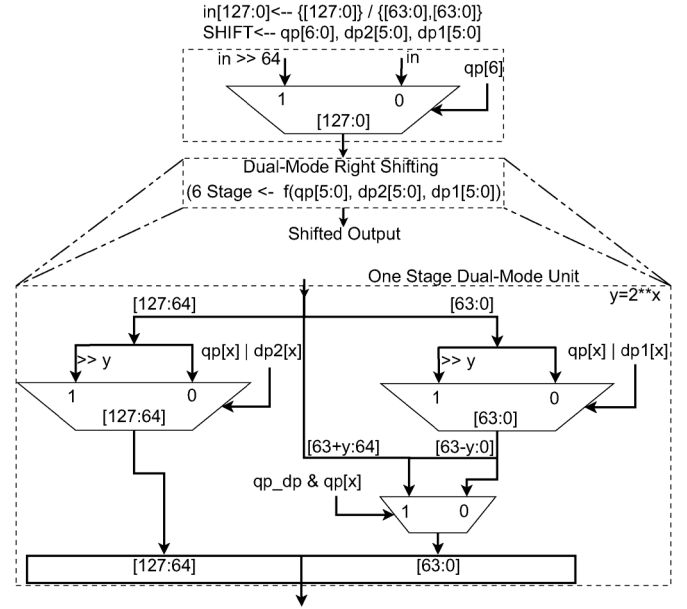


Fig. 6. QPdpDP dual mode dynamic right shifter (DRS).

Now, the small mantissa needs right shifting by the difference of large and small exponents. The right shift amount for small mantissas are determined using the component shown in Fig. 5. In general, it requires two 11-bit subtractors for both double precision and one 15-bit subtractor for quadruple precision. However, because of effective multiplexing of operands in SWAP section, it needs only one, a 22-bit subtractor. A subtraction of unified large exponent ( $e_L$ ) and unified small exponent ( $e_S$ ) will produce right shift amount either for quadruple precision or for both double precision. For right shift amount, compared to only quadruple precision, it requires extra resources for 7-bit subtraction. Other processing in this section are bit-wise operations, and are done separately for all operands.

For right shifting of small mantissas of quadruple and both double precision operands, a dual-mode dynamic right shifter (DRS) is designed. The QPdpDP dual-mode dynamic right shifter is shown in Fig. 6, which is used to right-shift the small mantissas of either QP or both DPs. The initial step in it right-shifts the operand by 64-bit in case of QP mode with its true shift bit. The later 6-stages in it works in dual mode, either for QP or for both DPs operands. Each dual-mode stage contains two shifters for each of 64-bit blocks, which right-shifts their inputs corresponding to their shifting bit (either for quadruple or double precision). Each of the stage also includes one multiplexer which selects between lower shifting output or their combination with primary input to the stage, based on the mode of the operation. The root functional component in this unit is 2:1 MUX which is implemented with  $(y = sel.A + \overline{sel}.B)$  logic.

Further to the right shifting of small mantissas, the core operation of mantissa addition/subtraction fall in the computational flow. The large mantissas and right-shifted small mantissas undergo addition/subtraction based on their effective operation. This computation is performed in dual-mode using two 64-bit integer adder-subtraction unit (implemented using Carry-look-ahead method), which individually works for each double precision, and collectively works for quadruple precision computation (as shown in Fig. 7). This unit generates the lower

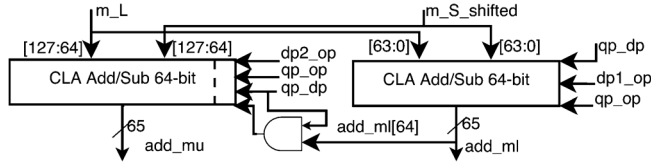


Fig. 7. QPdp adder: Dual mode mantissa addition/subtraction.

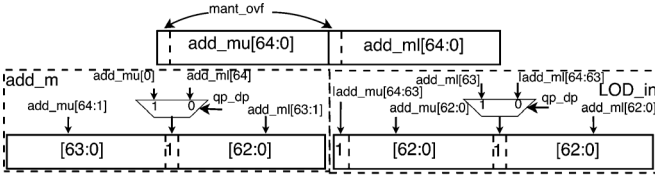


Fig. 8. QPdp dual mode mantissa SUM and LOD\_in.

and upper parts of addition/subtraction separately. This component requires effectively similar resources as present in only QP adder.

The lower and upper mantissa addition/subtraction results generated in previous unit combined in “Mantissa SUM and LOD\_in unit,” to provide the actual sum (either for QP or both DPs), mantissa overflow, and the input for next level unit, leading-one-detector (LOD). It requires a couple of 2:1 MUX and OR-gates. This unit is shown in Fig. 8.

The mantissa sum now requires to check for any underflow, which requires a leading-one-detector (LOD), and further a dynamic left shifter for mantissa. This situation occurs when two very close mantissa undergoes subtraction operation. The LOD requires to compute the left-shift amount. In present context, the dual-mode leading-one-detector for QPdp processing is shown in Fig. 9. The input of LOD is either a QP LOD\_in or two DP LOD\_in. The dual mode LOD is designed in a hierarchical manner (using basic unit of LOD\_2:1, which consists of a AND, OR and NOT gate), which leads to 64-bit LOD. It is comprised of two 64-bit LOD. The individual 64-bit LOD provides left shift information for both DP operands, and collectively for QP operand. It effectively requires resources equivalent to that of only QP LOD.

The left shift amount, thus generated from LOD, is then updated for sub-normal input cases (both sub-normal input operands) and underflow cases (if left shift amount exceeds or is equal to the corresponding large exponent). For both sub-normal input operand case, the corresponding left shift is forced to zero, and for the underflow case, the corresponding left shift will be equal to corresponding large exponent decremented by one. For the exponent decrements, one of the related subtractor is shared for the QP and first DP, as done in the case of computation of right shift amount. This becomes possible because the required LSBs of  $e_L$  are shared among the exponents of QP and first DP. This exponent decrements requires one 7-bit (shared for QP and a DP) and one 6-bit (for another DP) decrement. All other computations, related to left shift update need to be computed separately for QP and both DPs. With true  $qp\_dp$ , both DPs' left shift are set to zero, and for false  $qp\_dp$  the QP left shift is forced to zero.

The mantissa sum is then shifted left using a dual-mode dynamic left shifter (DLS) (Fig. 10). The basic concept for this architecture is similar to the dual-mode dynamic right shifter, except that there is change in the shifting direction. The first stage

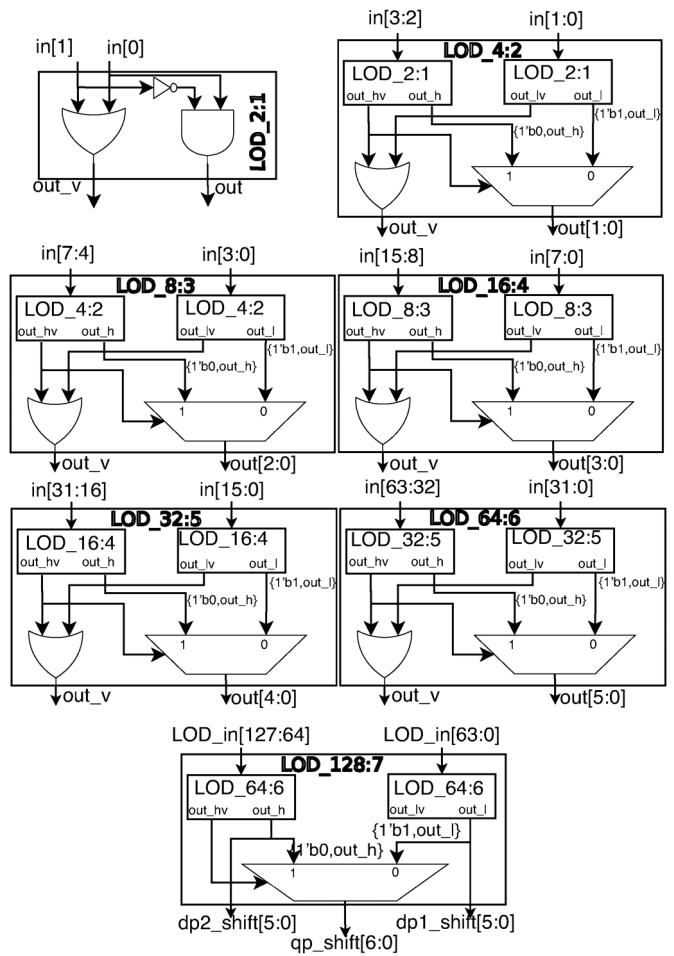


Fig. 9. QPdp dual mode leading-one-detector.

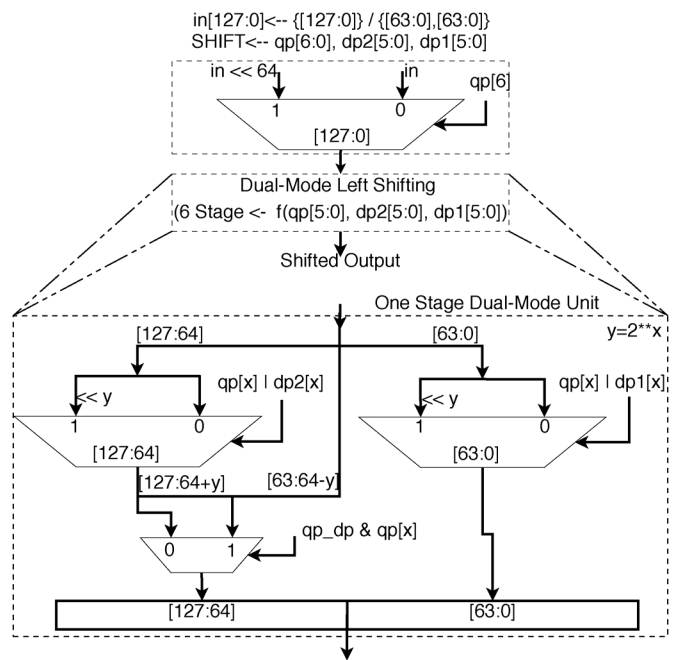


Fig. 10. QPdp dual mode dynamic left shifter (DLS).

works in single mode only for QP shifting, and later 6-stages works in dual-mode either for QP or both DP.

TABLE I  
RESOURCE SHARING IN QPDDPQSP ADDER SUB-COMPONENTS

Architectural Components	QPdDP Adder Architecture		QPdDPqSP Adder Architecture	
	Shared Resources	Extra resource over Only QP	Shared Resources	Extra resource over Only QP
Data Extraction and Sub-normal Handler	“Subnormal, infinity, and NAN” checks of QP and one DP	For one DP	“Subnormal, infinity, and NAN” check of QP, DP-2 and SP-4	For one DP, and two SPs
Comparator, Dynamic Shifters, LOD	Shared QP and both DP	Nil	Shared QP, both DP and all SPs	Nil
SWAP: Large Sign, Exp, Mant and OP	Shared SWAP of QP and both DP	Two 150-bit MUX, Control Logic	Shared SWAP of QP, both DP and all SPs	Two 160-bit 3:1 MUX, Control Logic
Right Shift Amount	Subtraction for QP and both DP	7-bit sub, some bit-wise ANDing	Subtraction for QP, both DP and all SPs	17-bit sub, some bit-wise ANDing
Mantissa Add/Sub, Sum Normalization	Shared QP and both DP	two 1-bit 2:1 MUX and small control logic	Shared QP, both DP and all SPs	four 1-bit 3:1 MUX and small control logic
Left Shift Update	Exponent difference of QP and one DP	Remaining computation of both DP	Exponent difference of QP, one DP, and one SP	Remaining computation of both DP and two SPs
1-bit Left Shifter	Shared QP and both DP	two 1-bit 2:1 MUX	Shared QP, both DP and all SPs	Six 1-bit 2:1 MUX and one 1-bit 3:1 MUX
Rounding	ULP addition shared among QP and both DP	ULP-computation of both DP	ULP addition shared among QP, both DP and all SPs	ULP-computation of both DP and all SPs
Exponent Update	Shared the update of QP and one DP	Exponent Subtractor for one DP and a 7-bit MUX	Shared the update of QP, one DP and one SP	Exponent Subtractor for one DP and two SP, and three 7-bit MUX
Final Processing	Post Round Update of Exponent and Mantissa	Remaining processing of both DP, one 128-bit MUX to discharge final output	Post Round Update of Exponent and Mantissa	Remaining processing of both DP and all SPs, one 128-bit 3:1 MUX to discharge final output

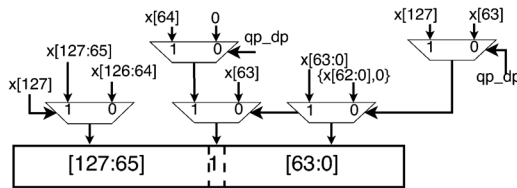


Fig. 11. QPdDP dual mode 1-bit left shifter.

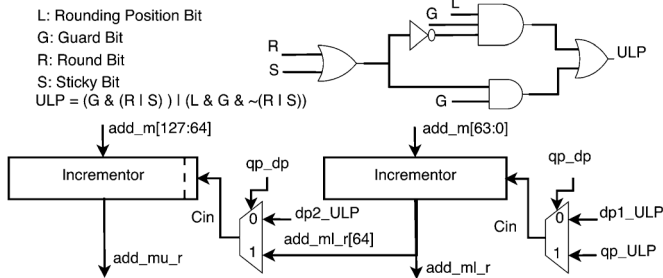


Fig. 12. ULP generation and QPdDP dual mode ULP addition.

The output of dual-mode DLS then undergoes 1-bit left shifting (normalization), in-case of mantissa overflow in mantissa-addition. The dual-mode 1-bit left-shifter unit is shown in Fig. 11. It either performs a 1-bit left shifting for QP mode, or carries out 1-bit left-shifting for both DPs, with-respect-to their corresponding mantissa overflow. The lowest functional component required here is 2:1 MUX. The resource requirement for this shifter-unit is similar to that of a only QP 1-bit shifter, except two 1-bit 2:1 MUX.

The output from 1-bit left shifter is further processed for rounding computation and ULP-addition (Fig. 12). In present work, the round-to-nearest method is included, however, other method can be included easily. The rounding ULP computations are done based on LSB precision bit, Guard bit, Round bit, and Sticky bit. Here, the ULP computation is implemented separately for each of QP and both DPs. However, the ULP-addition is shared among both, as shown in Fig. 12.

Parallel to above mantissa processing, in Exponent-update unit, the exponents are updated for mantissa overflow and mantissa underflow. In this, the large exponents need to

be incremented by one or decremented by left shift amount ( $LargeExp + mant\_ovf - LeftShift$ ). Since large exponent ( $e_L$ ) either contains large QP exponent or both DPs exponents, this update is shared for the QP and DP-1, by sharing a subtractor, similar to left shift update computation. In effect it requires a 15-bit shared subtractor and a 11-bit subtractor for DP-2. Thus it needs an extra 11-bit subtractor for DP-2 processing, and a 7-bit multiplexer for left shift amount multiplexing for the shared subtractor, as an overhead over only QP processing.

Finally, the exponents and mantissas are updated for underflow, overflow, sub-normal, and exceptional cases to produce the final output, and each requires separate units for QP and both DPs. For overflow, the exponent will be set to infinity and mantissa will be set to zero, and for underflow case exponent will be set to zero and mantissa will take its related computed value. The computed signs, exponents and mantissas of quadruple precision and both double precision are finally multiplexed to produce the final 128-bit output, which either contains a QP output or two DP outputs. A qualitative resource sharing and overhead of dual mode QPdDP over only QP adder is shown in Table I.

#### IV. CONFIGURABLE QUADRUPLE PRECISION/DUAL (TWO-PARALLEL) DOUBLE PRECISION/QUAD (FOUR-PARALLEL) SINGLE PRECISION (QPDDPQSP) ADDER ARCHITECTURE

Based on the idea of proposed dual-mode adder architecture and with further investigation, an architecture for QPdDPqSP adder is proposed here to have a tri-mode multi-precision adder computation. This architecture works in three modes: Quadruple/Dual (Two-Parallel) Double/Quad (Four-Parallel) Single Precision. This architecture is devised by, replacing double precision components of the earlier dual-mode QPdDP adder architecture, by a dual-mode DPdSP (double precision with dual/two-parallel single precision) adder component. This key idea, along with some related reconstruction, facilitates the tri-mode operation. The computational flow of the QPdDPqSP adder architecture is again based on the computational flow of Algorithm 1.

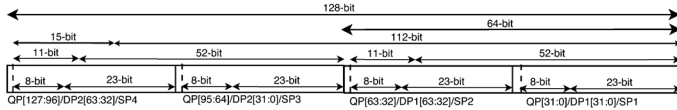


Fig. 13. QPdDPqSP adder: Input/output register format.

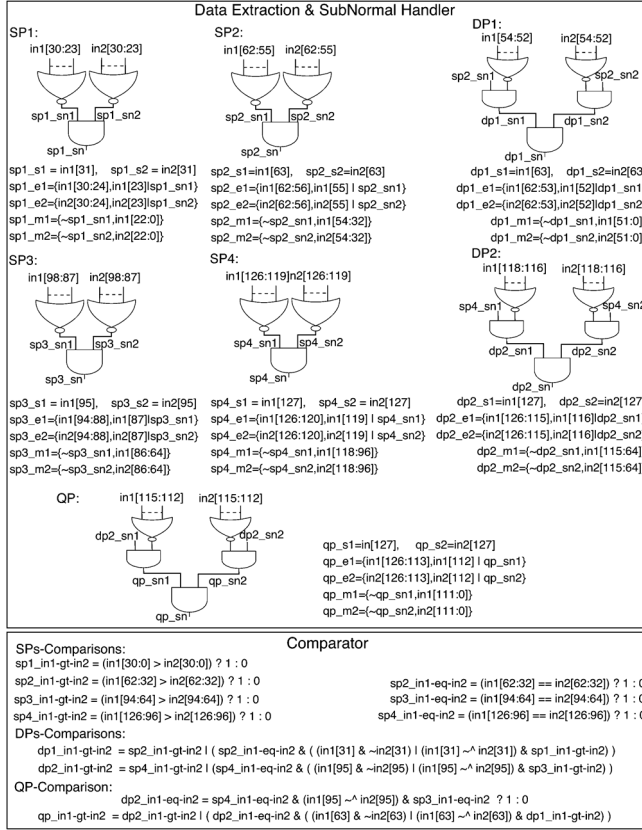


Fig. 14. QPdDPqSP adder: Data extraction and subnormal handler; comparator.

The input/output register for the tri-mode architecture is assumed as shown in Fig. 13. The 128-bit input operands, contain either 1 set of quadruple precision or 2 sets of double precision or 4 sets of single precision operands. Based on the two-bit control signal  $qp\_dp\_sp[1:0]$ , it can be dynamically switched to either quadruple precision or dual double precision or quad single precision mode as follows

$$\begin{aligned} qp\_dp\_sp : 2'b11 &\rightarrow QP \text{ Mode} \\ qp\_dp\_sp : 2'b10 &\rightarrow DP \text{ Mode} \\ qp\_dp\_sp : 2'b0x &\rightarrow SP \text{ Mode} \end{aligned}$$

All the computational steps in QPdDPqSP tri-mode adder are discussed below with their architectural details.

Similar to QPdp, in its data extraction unit, the sub-normal, infinity and NaN checks are shared for QP, second DP and fourth SP operands. It is also shared for first DP and second SP (Fig. 14). The tri-mode comparator unit is also shown in Fig. 14, which first compares all the SPs' operands, and then combines them to produce for both DPs' operands comparison. The DPs' comparator outcomes are combined to produce QP comparison result. This unit effectively requires similar resources as in only QP comparator.

The SWAP unit of QPdDPqSP adder architecture is shown in Fig. 15. Based on the mode of the operation, it initially gen-

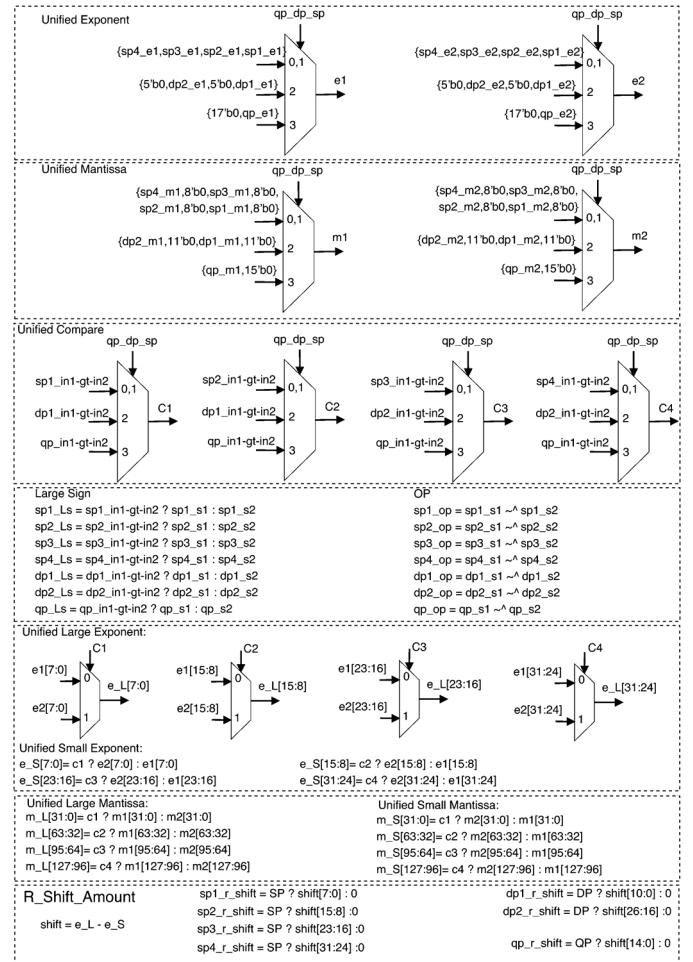


Fig. 15. QPdDPqSP adder: Swap: Large sign, exponent, mantissa, and operation; right shift amount.

erates effective unified “greater than” signals ( $c1$ ,  $c2$ ,  $c3$ , and  $c4$ ). The exponents of QP, both DPs and all SPs are then multiplexed in to unified 32-bit exponents  $e1$  (first exponent) and  $e2$  (second exponent). Each 8-bit of these  $e1$  and  $e2$  acts as SPs' exponents, or each 16-bit acts as DPs' exponents, or it will act for QP as a whole. Similarly, the mantissas are multiplexed in to unified 128-bit  $m1$  and  $m2$ . These unified exponents and unified mantissas helps to have a tuned data-path flow in the architecture, and enables to minimize the multiplexing circuitry. Based on the effective “greater than” signals ( $c1$ ,  $c2$ ,  $c3$ , and  $c4$ ), unified exponents ( $e1$  and  $e2$ ) and unified mantissas ( $m1$  and  $m2$ ), the small and large exponents, and small and large mantissas are derived, which serves the purpose for either of QP or DPs or SPs. Furthermore, the large sign and effective operation are computed for each mode's operands.

The next unit, also shown in Fig. 15, computes the right shift amount for smaller mantissas. The shift amount is computed by a 32-bit subtraction of unified large exponent  $e_L$  and unified small exponent  $e_S$ . This serves the purpose for the right shift amount of either of QP, or both DPs or all SPs, as shown in Fig. 15.

The small mantissa is then right shifted by the tri-mode dynamic right shifter unit (Fig. 16). The first stage of this shifter unit right shifts the input by 64-bit, and works for QP purpose. The second stage works in dual mode fashion, as in case



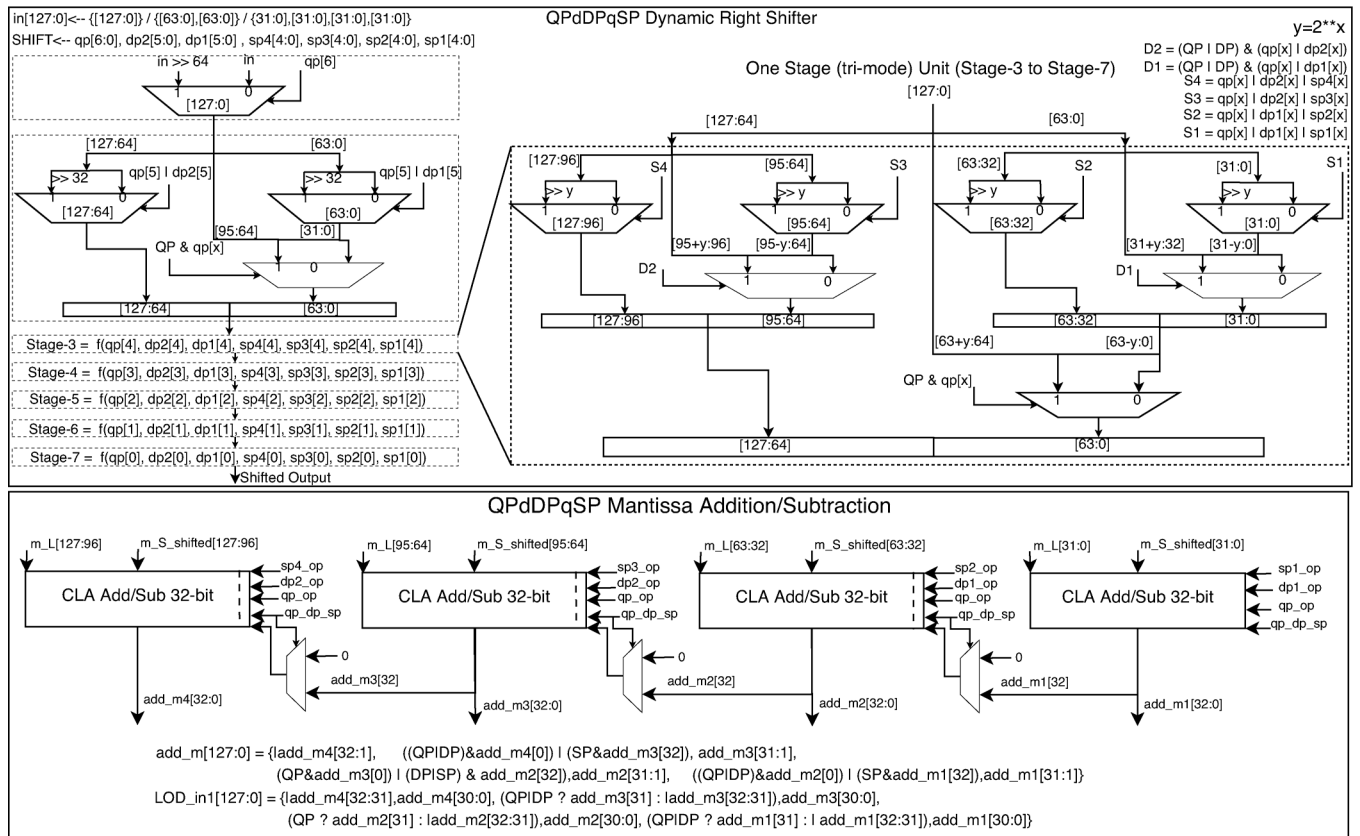


Fig. 16. QPdpPqSP tri-mode dynamic right shifter and mantissa add/sub.

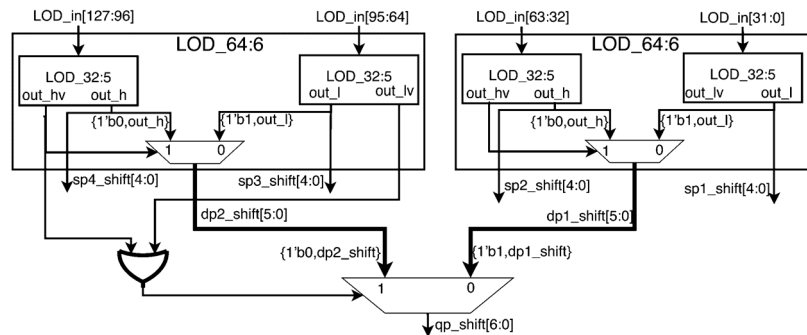


Fig. 17. QPdpPqSP tri-mode leading-one-detector.

on QPdpP, either for both DP or collectively for QP. The remaining stages (stage 3–7) of this unit are formed by combining the two dual mode stage of DPdpSP shifter, which collectively works in tri-mode, either for QP or both DPs or four SPs, based on the effective mode of the operation. Fig. 16 further shows the tri-mode mantissa addition/subtraction module. It uses four 32-bit add/sub units with control logic to accomplish this task. By combining their outputs, this unit later generates the unified effective mantissa addition/subtraction result  $add\_m$  and input  $LOD\_in$  for the leading-one-detector, which contains the data either for QP, or both DPs or all four SPs.

The  $LOD\_in$  is then fed in to the unified QPdpPqSP tri-mode leading-one-detector, as shown in Fig. 17. The tri-mode LOD contains two 64:6 LOD, each of which contains two 32:5 LOD. The output of each 32:5 LOD gives the left shift amount for each SPs, which combines to produce left shift amount for both DPs and QPs. The same size LOD is effectively required to accomplish the requirement of LOD for only QP computation.

The left shift amount is then updated for sub-normal input cases, underflow cases (if left shift amount exceeds or equal to the corresponding large exponent). The underflow case requires the left shift amount equate to exponent decrement by one. Since the large exponents for all mode is shared, the exponent decrement is shared among the operands. One 7-bit decrement is shared for QP, first DP and first SP, and one 6-bit decrement is shared for second DP and third SP. Remaining SPs' decrements are done separately.

Now, to shift the mantissa addition/subtraction result  $add\_m$  by left shift amount, the QPdpPqSP tri-mode dynamic left shifter is used (as shown in Fig. 18). The working principle of tri-mode dynamic left shifter is similar to that of tri-mode dynamic right shifter. Its first stage works for only QP, second stage works in dual mode (either for QP or both DPs), and remaining stages perform in tri-mode (either for QPs or both DPs or all four SPs).

After left shifting of mantissa result, rounding is performed. As in case of QPdpP, the ULP computation requires separate

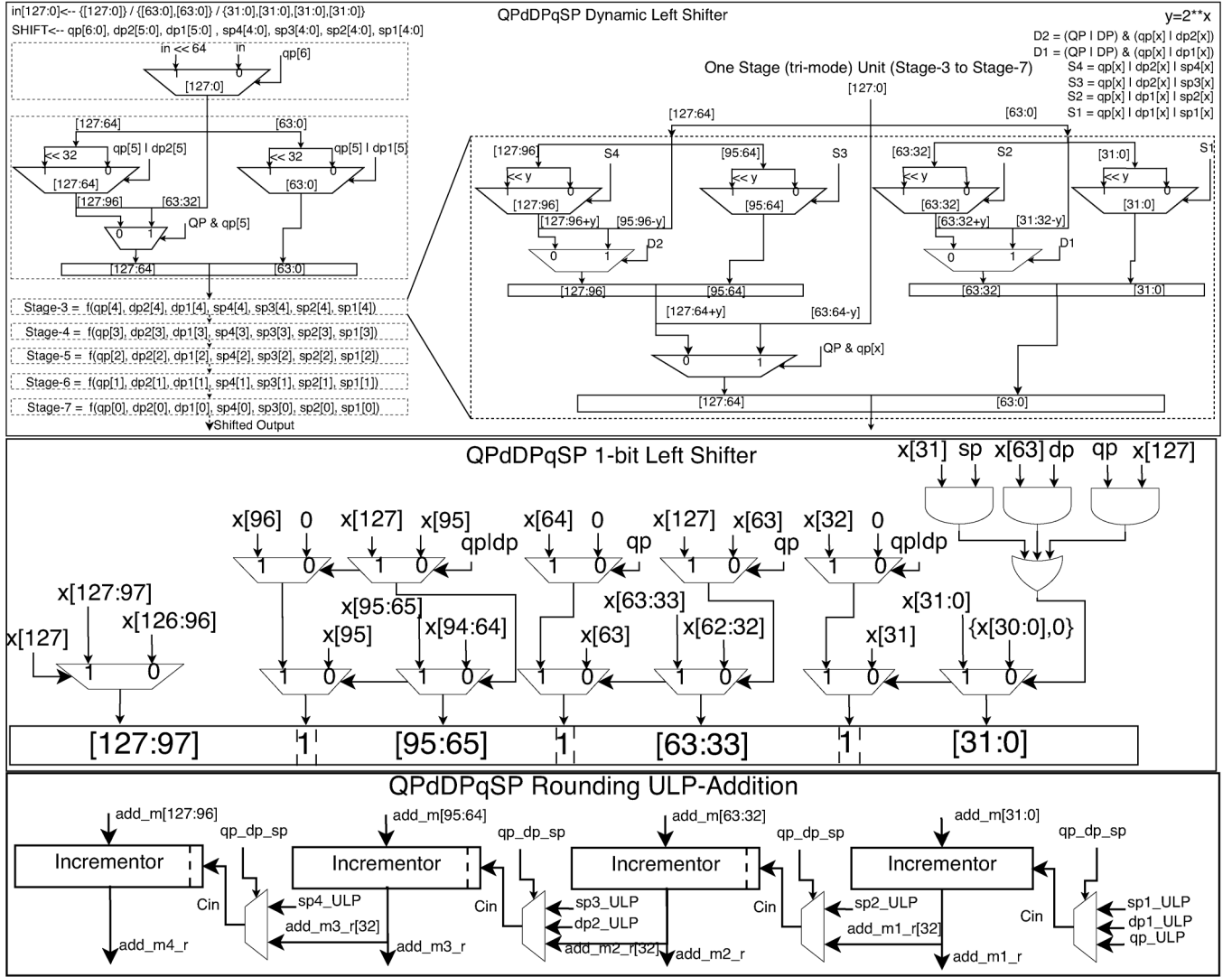


Fig. 18. QPdDPqSP tri-mode dynamic left shifter; 1-bit left shifter; and ULP addition.

units for each of QP, DPs and SPs as shown in Fig. 12. The ULP addition is shared among all mode of the operation, as shown in Fig. 18. Then each exponent is updated for corresponding mantissa's overflow or underflow, which needs them to be either incremented by one or decremented by left shift amount. This portion is shared as discussed for left shift update. In the end, final normalization, and, exponents and mantissas updates for exceptional cases are performed, and output are multiplexed for a 128-bit output for given mode of the operation. The resource overhead of QPdDPqSP adder over only QP adder is shown in the Table I.

The detailed implementation results of the dual mode QPddP and tri-mode QPddPqSP adder architectures are shown in the Section V. It also discusses the comparisons with the previous work available in the literature, along with the improvements in the proposed architectures.

## V. IMPLEMENTATION RESULTS AND COMPARISONS

Both of the proposed dual-mode QPddP and tri-mode QPddPqSP architectures are implemented and synthesized for standard-cell based ASIC platform. Synthesis is performed

TABLE II  
ASIC IMPLEMENTATION DETAILS

	SP	DP	QP	QPdDP	QPdDPqSP
Latency	4	4	4	4	4
Area( $\mu\text{m}^2$ )	16911	31863	76779	90116	91971
Area(gates)	5637	10621	25593	30038	30657
Period(ns)	0.78	0.95	1.1	1.16	1.45
Period(FO4)	17.33	21.11	24.44	25.78	32.22
Power(mw)	5.20	7.26	12.87	16.23	16.85

using the UMC90 nm technology, using Synopsys Design Compiler. An architecture for QP only adder is also designed (using similar data path computational flow) and synthesized for area and delay overhead measurements. These architectures are designed with four pipeline stages (as shown in Fig. 1). Similar architectures for DP only and SP only adders also synthesized, using same computational flow. The implementation details are shown in Table II. Each module is synthesized with the options of best possible clock-period, minimum-area, and medium-effort for synthesis. Second pipeline stage in all the architectures appears in critical path, and decides the clock-period. The proposed architectures are functionally verified for 5 million random test cases in each mode, with different pairs of

TABLE III  
COMPARISON OF QPDDP ARCHITECTURE WITH RELATED WORK

	QPDDP Architecture					QPdDPqSP Architecture
	[15] 250nm		[16] 110nm		Proposed 90nm	Proposed 90nm
Latency	3	6	3	5	4	4
Area OH <sup>1</sup>	15.3%	14.01%	35.80%	27.31%	17.37%	19.78%
Period OH <sup>1</sup>	14.12%	8.71%	18.65%	10.11%	5.45%	31.81%
Scaled Area <sup>2</sup>	-	-	239250	199723	90116	91971
Gate Count <sup>3</sup>	26967	33702	-	-	30038	30657
Period (FO4) <sup>4</sup>	65.28	35.92	28.9	17.81	25.78	32.22
Scaled-Area <sup>2</sup> × FO4-Period <sup>4</sup> (10 <sup>6</sup> )	-	-	6.91	3.55	2.32	2.96
Gate-Count <sup>3</sup> × FO4-Period <sup>4</sup> (10 <sup>6</sup> )	1.76	1.21	-	-	0.77	0.98

<sup>1</sup> Area/Period OH = (QPdDP – QP)/QP,

<sup>2</sup> in  $\mu\text{m}^2@90\text{ nm} = (\text{Area}@110\text{ nm}) * (90/110)^2$

<sup>3</sup> Based on minimum size inverter

<sup>4</sup> 1 FO4 (ns)  $\approx$  (Tech. in  $\mu\text{m})/2$

operands, like normal-normal, subnormal-normal, normal-subnormal, and subnormal-subnormal; all mixed with exceptional cases.

The proposed dual-mode QPDDP adder architecture requires approximately 17% more hardware resources and roughly 5.45% extra period than only QP adder. Furthermore, the proposed QPDDP adder requires approximately 35.86% smaller area when compared with the combination of a QP only and two-units of DP only adder ((QP+2\*DP-QPDDP)/(QP+2\*DP)).

Similarly, the tri-mode QPDDPqSP adder architectures requires roughly 19.78% extra hardware and 31.81% large period when compared to corresponding only QP adder. However, when compared with the combination of a QP only, two-units of DP only and four-units of SP only adder, the QPDDPqSP adder requires roughly 55.81% smaller area ((QP+2\*DP+4\*SP-QPDDPqSP)/(QP+2\*DP+4\*SP)).

Literature contains very limited work on the dual-mode QPDDP architecture, whereas the proposed tri-mode QPDDPqSP adder architecture stands as a fresh proposal. A comparison of dual-mode QPDDP architecture with previous works is shown in Table III. The related information for tri-mode QPDDPqSP architecture are also included in Table III, to show its merit. The comparisons are carried out in terms of % area and period/delay overhead over corresponding only QP adder. This is to avoid different synthesis technologies of earlier reported work. Moreover, the area is compared in terms of gate-equivalent or scaled area equivalent, delay/period is compared in terms of ‘‘Fan-Out-of-4’’ (FO4) delay parameter, and a unified comparison of  $\text{area} \times \text{period}$  is performed, all for a technology independent comparison. A. Akkas [15] has proposed dual-mode architectures for QPDDP and DPdSP adder with 250 nm technology. These architectures were presented for two sets of pipelining: 3-stage pipeline and 6-stage pipeline. For their QPDDP architecture with 3-stage pipeline they requires 15.3% more hardware and 14.12% more period than their only QP design; and with 6-stage pipeline, the area-overhead is 14% and period-overhead is 8.7%. Compared to this architecture, the proposed QPDDP architecture has similar area-overhead, but smaller delay-period overhead. Moreover, the  $\text{area} \times \text{period}$  of proposed architecture is much smaller than QPDDP adder of [15]. Furthermore, the architectures shown in [15] supports computation of only normalized operands only, and it does not support sub-normal operands computation and exceptional case handling.

Similarly, [16] has proposed dual-mode DPdSP and QPDDP adder architectures, with two pipeline versions, 3-stage and 5-stage pipelines. These architectures do not provide computational support for sub-normal operands and without any exceptional case handling. These were synthesized with 110 nm standard-cell ASIC library. For its 3-stage pipeline QPDDP design it has 35.8% area-overhead and 18.65% period overhead, however, for its 5-stage design the area-overhead is 27.31% and period-overhead is 10.11%. Compared to this work, the proposed dual-mode QPDDP architecture outperforms them in terms of design overheads, as well as in terms of design metrics: the area, period, and  $\text{area} \times \text{period}$ .

Thus, compared to previous works, the proposed dual-mode QPDDP adder architecture has smaller area-overhead and delay-overhead when compared to only QP adder. The proposed QPDDP architecture shows an improvement of approximately 50% in terms of unified metrics  $\text{area} \times \text{period}$  product. Furthermore, the proposed tri-mode QPDDPqSP architecture also shows a promising design metrics, when compared to dual-mode architectures, while being more computationally strong. The proposed multi-mode architectures provides full computational support to normal and sub-normal operands, along with relevant exceptional case handling.

## VI. CONCLUSIONS

This paper has presented two dynamically-configurable multi-mode architectures for floating point adder, with on-the-fly multi-precision support. The presented dual-mode QPDDP and tri-mode QPDDPqSP architectures provides normal and sub-normal computational support and exceptional case handling. Both architectures are presented in fully pipelined format, with 4-stages pipeline. The data path in both architectures has been tuned with minimal required multiplexing circuitry. The individual components of the architectures have been constructed for on-the-fly multi-mode computation, with minimum required multiplexing. The dual-mode QPDDP adder architecture needs approximately 17% more resources and 5.45% more delay-period than the QP only adder. Similarly, the tri-mode QPDDPqSP adder architecture has approximately 20% area overhead and 32% delay overhead over QP only adder. In comparison to previous works in literature, the proposed dual-mode QPDDP design has approximately 50% smaller  $\text{area} \times \text{period}$  product, and has smaller area and delay

overhead when compared to only QP, and provide more computational support. Moreover, the proposed tri-mode QPdDPqSP adder architecture stands as a fresh proposal, while showing a promising design parameters when compared with dual-mode QPdDP architectures. Our future work is targeted towards the architectural exploration of multi-mode fused multiplier adder (FMA) arithmetic unit.

## REFERENCES

- [1] "IEEE standard for floating-point arithmetic," Tech. Rep., Aug. 2008.
- [2] H.-J. Oh, S. Mueller, C. Jacobi, K. Tran, S. Cottier, B. Michael, H. Nishikawa, Y. Totsuka, T. Namatame, N. Yano, T. Machida, and S. H. Dhong, "A fully pipelined single-precision floating-point unit in the synergistic processor element of a cell processor," *IEEE J. Solid-State Circuits*, vol. 41, no. 4, pp. 759–771, 2006.
- [3] NXP Semiconductors, "AN10902: Using the LPC32xx VFP," Application Note Feb. 2010 [Online]. Available: [www.nxp.com/documents/application\\_note/AN10902.pdf](http://www.nxp.com/documents/application_note/AN10902.pdf)
- [4] Nvidia, "NVIDIA's next generation CUDA<sup>TM</sup> compute architecture: Kepler<sup>TM</sup> GK110," White Paper 2014 [Online]. Available: [www.nvidia.com/content/PDF/kepler/NVIDIA-Kepler-GK110-Architecture-Whitepaper.pdf](http://www.nvidia.com/content/PDF/kepler/NVIDIA-Kepler-GK110-Architecture-Whitepaper.pdf)
- [5] F. de Dinechin and G. Villard, "High precision numerical accuracy in physics research," *Nuclear Instrum. Methods Phys. Res. A: Accelerators, Spectrometers, Detectors, Assoc. Equip.*, vol. 559, no. 1, pp. 207–210, 2006.
- [6] D. H. Bailey, R. Barrio, and J. M. Borwein, "High-precision computation: Mathematical physics and dynamics," *Appl. Math. Comput.*, vol. 218, no. 20, pp. 10 106–10 121, 2012.
- [7] A. Baluni, F. Merchant, S. K. Nandy, and S. Balakrishnan, "A fully pipelined modular multiple precision floating point multiplier with vector support," in *Proc. Int. Symp. Electron. Syst. Design (ISED)*, 2011, pp. 45–50.
- [8] K. Manolopoulos, D. Reisis, and V. Chouliaras, "An efficient multiple precision floating-point multiplier," in *Proc. 18th IEEE Int. Conf. Electron. Circuits, Syst. (ICECS)*, 2011, pp. 153–156.
- [9] A. Akkas and M. J. Schulte, "A quadruple precision and dual double precision floating-point multiplier," in *Proc. Euromicro Symp. Digit. Syst. Design ser. DSD '03*, pp. 76–81.
- [10] A. Akkas and M. J. Schulte, "Dual-mode floating-point multiplier architectures with parallel operations," *J. Syst. Archit.*, vol. 52, no. 10, pp. 549–562, Oct. 2006.
- [11] D. Tan, C. E. Lemonds, and M. J. Schulte, "Low-power multiple-precision iterative floating-point multiplier with simd support," *IEEE Trans. Comput.*, vol. 58, no. 2, pp. 175–187, Feb. 2009.
- [12] L. Huang, L. Shen, K. Dai, and Z. Wang, "A new architecture for multiple-precision floating-point multiply-add fused unit design," in *Proc. 18th IEEE Symp. Comput. Arith. (ARITH '07)*, pp. 69–76.
- [13] M. Gök and M. M. Özbilen, "Multi-functional floating-point maf designs with dot product support," *Microelectron. J.*, vol. 39, no. 1, pp. 30–43, Jan. 2008.
- [14] A. Isseven and A. Akkas, "A dual-mode quadruple precision floating-point divider," in *Proc. 40th Asilomar Conf. Signals, Syst., Comput. (ACSSC '06)*, pp. 1697–1701.
- [15] A. Akkas, "Dual-mode quadruple precision floating-point adder," in *Proc. Euromicro Symp. Digit. Syst. Design*, 2006, pp. 211–220.
- [16] A. Akkas, "Dual-mode floating-point adder architectures," *J. Syst. Archit.*, vol. 54, no. 12, pp. 1129–1142, Dec. 2008.
- [17] M. Özbilen and M. Gok, "A multi-precision floating-point adder," in *Proc. 2008 PhD Research in Microelectronics and Electronics*, pp. 117–120.
- [18] M. Jaiswal, R. Cheung, M. Balakrishnan, and K. Paul, "Unified architecture for double/two-parallel single precision floating point adder," *IEEE Trans. Circuits Syst. II, Exp. Briefs*, vol. 61, no. 7, pp. 521–525, Jul. 2014.
- [19] M. Jaiswal, R. Cheung, M. Balakrishnan, and K. Paul, "Configurable architecture for double/two-parallel single precision floating point division," in *Proc. IEEE Comput. Soc. Annu. Symp. VLSI (ISVLSI)*, Jul. 2014, pp. 332–337.



**Manish Kumar Jaiswal** (S'12–M'14) received his B.Sc. and M.Sc. degrees in electronics from D.D.U. Gorakhpur University, Gorakhpur, India, in 2002 and 2004, respectively. He obtained his M.S.(By Research) from EE Department—I.I.T. Madras in 2009 and Ph.D. from EE Department—City University of Hong Kong, China, in 2014. He is currently a Post-Doctorate Fellow in Department of EEE at The University of Hong Kong. He received an Outstanding Academic Performance award during his Ph.D. at CityU-HK. He worked as a Lecturer in the Department of Electronics at D.D.U. Gorakhpur University for a year (2005–2006), and as a Faculty Member in Department of EE at the ICFAI University, Dehradun, India, for two years (2009–2011). He also spent 6 months in IBM India Pvt. Ltd. Bangalore in 2008, as a Project Intern. His research interest includes Digital VLSI Design, Reconfigurable Computing, ASIC/FPGA SoC Design, VLSI Implementation of DSP, Biomedical VLSI, and High-Performance Algorithmic Synthesis.



**B. Sharat Chandra Varma** received his B.Eng. degree in electronics and communications engineering from Viswesvaraya Technological University, India, the M.S. degree in VLSI-CAD from Manipal University, India, and his Ph.D. from Amarnath and Shashi Khosla School of Information Technology at the Indian Institute of Technology, Delhi, India in January 2015. He is a Postdoctoral Research Fellow at the Department of Electronic and Electrical Engineering in the University of Hong Kong, China. He has also worked as a Software Engineer with QuickLogic India Pvt. Ltd. for one year, where he developed CAD tools for QuickLogic FPGAs. His research interests include FPGA, hardware accelerators, hardware-software codesign, and VLSI.



(Team) in 2012, as well as the Faculty Best Teacher Award in 2011.

**Hayden K.-H. So** (S'03–M'07) received the B.S., M.S., and Ph.D. degrees in electrical engineering and computer sciences from University of California, Berkeley, CA, USA, in 1998, 2000, and 2007 respectively. He is currently an Assistant Professor of in the Department of Electrical and Electronic Engineering at the University of Hong Kong, China. He received the Croucher Innovation Award in 2013 for his work in power-efficient high-performance heterogeneous computing system. He was also awarded the University Outstanding Teaching Award



design automation and embedded systems. He has supervised 10 Ph.D. students, 3 MSR students, 145 M.Tech/B.Tech projects, and published nearly 100 conference and journal papers. Further, he has held visiting positions in universities in Canada, the United States, and Germany. At IIT Delhi, he has been the Philips Chair Professor, Head of the Department of Computer Science and Engineering, Dean of Post Graduate Studies and Research at IIT Delhi and Deputy Director (Faculty) at IIT Delhi. His research interests include embedded systems design, low power, and system level design. Currently he is involved in developing a number of assistive devices for the visually impaired.

**M. Balakrishnan** received his B.E. (Hons.) degree in electronics and electrical engineering from BITS Pilani, India, in 1977 and the Ph.D. from the Electrical Engineering Department, IIT Delhi, India, in 1985. He is a Professor in the Department of Computer Science and Engineering at IIT Delhi. He worked as a Scientist in CARE, IIT Delhi, from 1977 to 1985 where he was involved in designing and implementing real-time DSP systems. For the last 27 years, he is involved in teaching and research in the areas of digital systems design, electronic



**Kolin Paul** received his B.E. degree in Electronics and Telecommunication Engineering from NIT Silchar, India, in 1992 and Ph.D. in Computer Science from BE College (DU), Shibpore, India, in 2002. He is an Associate Professor in the Department of Computer Science and Engineering at IIT Delhi, India. During 2002-2003 he did his postdoctoral studies at Colorado State University, Fort Collins, CO, USA. He has previously worked at IBM Software Labs. His last appointment was as a Lecturer in the Department of Computer Science at the University of Bristol, U.K. His research interests are in understanding high performance architectures and compilation systems. In particular he works in the area of adaptive/reconfigurable computing trying to understand its use and implications in embedded systems.



**Ray C. C. Cheung (M'07)** received the B.Eng. and M.Phil. degrees in computer engineering and computer science and engineering at the Chinese University of Hong Kong (CUHK), Hong Kong, China, in 1999 and 2001, respectively, and the Ph.D. degree in computing at Imperial College London, London, U.K., in 2007. In 2009, he worked as a Visiting Research Fellow in the Department of Electrical Engineering, Princeton University. He is currently an assistant professor at City University of Hong Kong (CityU). His research team, CityU Architecture Lab for Arithmetic and Security (CALAS) focuses on the following research topics: reconfigurable trusted computing, SoC VLSI designs, cryptography, and embedded biomedical VLSI designs.