



Citation for published version:

Dandi, Y, Das, A, Singhal, S, Namboodiri, VP & Rai, P 2020, Jointly trained image and video generation using residual vectors. in *Proceedings - 2020 IEEE Winter Conference on Applications of Computer Vision, WACV 2020.*, 9093308, Proceedings - 2020 IEEE Winter Conference on Applications of Computer Vision, WACV 2020, IEEE, pp. 3017-3031, 2020 IEEE/CVF Winter Conference on Applications of Computer Vision, WACV 2020, Snowmass Village, USA United States, 1/03/20. <https://doi.org/10.1109/WACV45572.2020.9093308>

DOI:

[10.1109/WACV45572.2020.9093308](https://doi.org/10.1109/WACV45572.2020.9093308)

Publication date:

2020

Document Version

Peer reviewed version

[Link to publication](#)

© 2020 IEEE. Personal use of this material is permitted. Permission from IEEE must be obtained for all other users, including reprinting/ republishing this material for advertising or promotional purposes, creating new collective works for resale or redistribution to servers or lists, or reuse of any copyrighted components of this work in other works.

University of Bath

Alternative formats

If you require this document in an alternative format, please contact:
openaccess@bath.ac.uk

General rights

Copyright and moral rights for the publications made accessible in the public portal are retained by the authors and/or other copyright owners and it is a condition of accessing publications that users recognise and abide by the legal requirements associated with these rights.

Take down policy

If you believe that this document breaches copyright please contact us providing details, and we will remove access to the work immediately and investigate your claim.

Jointly Trained Image and Video Generation using Residual Vectors

Yatin Dandi Aniket Das Soumye Singhal Vinay P. Namboodiri Piyush Rai
Indian Institute of Technology, Kanpur

{yatind, aniketd}@iitk.ac.in, singhalsoumye@gmail.com, {vinaypn, piyush}@cse.iitk.ac.in

Abstract

In this work, we propose a modeling technique for jointly training image and video generation models by simultaneously learning to map latent variables with a fixed prior onto real images and interpolate over images to generate videos. The proposed approach models the variations in representations using residual vectors encoding the change at each time step over a summary vector for the entire video. We utilize the technique to jointly train an image generation model with a fixed prior along with a video generation model lacking constraints such as disentanglement. The joint training enables the image generator to exploit temporal information while the video generation model learns to flexibly share information across frames. Moreover, experimental results verify our approach’s compatibility with pre-training on videos or images and training on datasets containing a mixture of both. A comprehensive set of quantitative and qualitative evaluations reveal the improvements in sample quality and diversity over both video generation and image generation baselines. We further demonstrate the technique’s capabilities of exploiting similarity in features across frames by applying it to a model based on decomposing the video into motion and content. The proposed model allows minor variations in content across frames while maintaining the temporal dependence through latent vectors encoding the pose or motion features.

1. Introduction

The success of deep generative models in recent years has been most visible and profound in the task of image generation. Two of the prominent approaches have been Generative Adversarial Networks [7] and Variational Auto-Encoders [14]. These models involve mapping low-dimensional latent variables to images using a Convolutional Neural Network. In image generation models, a single latent variable for an image with an Isotropic Gaussian prior is often sufficient to capture the underlying factors of variation. Generation and unsupervised representation learning of videos, however, poses additional difficul-

ties due to the inherently high stochasticity and the need to capture temporal dependence across frames. This suggests that modeling of the generation (and inference model for the case of VAEs) can play a crucial role in determining the model’s performance. Moreover, careful design of the prior can lead to representations with specific interpretations and uses in downstream tasks.

A common approach has been to model the process as a sequential generation of the image representations for the individual frames. In such models, the temporal dependence across the latent variables for individual frames is often captured through an RNN [6, 16, 24, 17, 15, 3, 18, 26, 5]. While this approach provides the flexibility to generate videos, it prohibits direct access to the distribution of images in latent space as the generation of the images in their full extent of variation must proceed through the computationally expensive generation of entire videos. This may be avoided in datasets where any arbitrary image corresponds to the first frame of a video, but in most cases, attributes such as actions are expressed in the later frames. We propose an approach to learn video generation while simultaneously imposing a fixed chosen prior on the image latent vectors. The proposed approach confers the following advantages over other baselines such as MoCoGAN [24]:

1. Training the model on a set of videos results in an image generator having superior sample quality than a baseline generator trained only on images due to the ability to exploit temporal information to improve sample quality during the learning process. The image generator doesn’t require the computational overhead of the video generation process.
2. The approach allows the model to retain the advantages provided by an image-only generator and directly borrow modifications and downstream uses from the large body of work in image generation relying on a fixed, known prior [10, 4, 12].
3. The ability to enforce a fixed prior in the image latent space makes the proposed video generation models compatible with pre-training on images or videos as well as training on datasets containing a mixture of

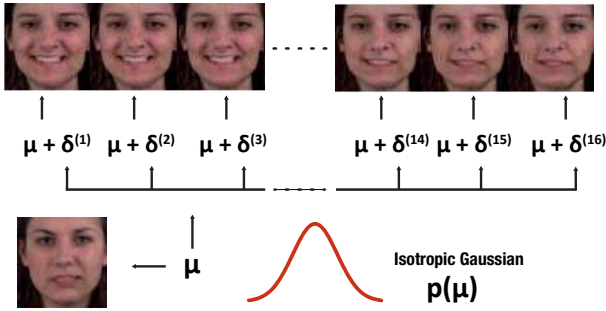


Figure 1. The proposed approach for joint image and video generation. The first step of the video generation process involves sampling a summary vector μ which encodes an image capturing the shared factors of variation across frames. Subsequently, an RNN is used to generate the entire video by interpolating over μ in the image latent space.

both. This compatibility is especially important in the present times, considering the relatively large abundance of image data compared to videos.

4. Interpolation in video space can be performed using the standard techniques for interpolation in image latent space. (Figure 10 and 11 in Appendix)

Apart from the dependence of the current frame on the previous frames, another common property of most natural and synthetic video datasets is the presence of the same set of objects across all the frames within a video which undergo motion following certain rules of dynamics. Thus, in a dataset of human action videos, variations within a video are limited to changes in the person’s pose while his overall appearance remains nearly constant, which implies that most of the image level features are shared across frames within a video. In such datasets, even a single frame can significantly reduce the uncertainty by providing information about factors of variation shared across frames, such as the person’s appearance, background, and even the action being performed. We propose to utilize these properties by modeling the generation process in a hierarchical fashion. Our proposed model first draws a vector encoding a summary frame for the entire video from a fixed prior in the image latent space and subsequently uses an RNN to add variations to it at each time step. The variations over the summary vector are represented as vector additions, which reduce the task of the RNN to performing learned interpolations in the image latent space. Experimental results in both VAE and GAN based models demonstrate that the residual framework ends up mapping the summary vectors to real images, which allows the image generation model to function independently of the computationally expensive RNN. The two-stage generation process, illustrated in Figure 1, thus allows performing interpolations in summary frames

through a known image latent space to obtain the corresponding variations in videos.

The property of shared content across frames with temporal dependence in the pose can be further exploited by disentangling the underlying factors for video generation into content and motion. A number of prior works achieve this by factorizing each frame’s representation into content, and the time-varying component or pose [24, 17, 26, 5]. In this work, we focus on disentanglement into motion and content purely by the design of the probabilistic model without additional loss terms. Two recent approaches, MoCoGAN [24] and Disentangled Sequential Autoencoder [17] achieved this in the case of VAEs and GANs, respectively. Both the models enforce the content representation to remain fixed across all the frames within a video while the pose or motion vectors vary across frames with temporal dependence.

We argue that while there is certainly a fixed notion of the objects present in the entire video, it is not reflected exactly in the visual features of individual frames. The temporally dependent pose features govern the variations of different aspects of the appearances of objects to different extents. Thus, a more flexible way to model the disentanglement would be to allow for minor variations in the static attributes even across frames within a video while leaving the temporal dependence to the pose features. We achieve this by using the residual vector technique to encode the content summary for the entire video and subsequently add variations to it at each time step conditioned on the pose vectors. We test the effectiveness of the technique by applying it to MoCoGAN, where it leads to improvement in sample quality while retaining the property of disentanglement.

2. Related Work

A number of prior works have explored the use of deep generative models for the related tasks of video generation and prediction. Unlike unsupervised video generation, the goal of video prediction models is to generate future frames given a number of prior context frames. Both the tasks suffer from high inherent uncertainty and could thus benefit from incorporating knowledge about the properties of video datasets into the model design.

Ranzato et al. [20] adapted language models to video prediction using a dictionary of quantized image patches. Srivastava et al. [23] used deterministic LSTM encoder-decoder based models for video prediction and unsupervised learning of a fixed-length representation. A number of other approaches focused on deterministic video prediction with a mean squared error loss [23, 19]. Mathieu et al. [18] propose learning strategies to avoid blurry predictions produced by deterministic models trained on mean squared loss, which end up averaging the frames of possible outcomes.

SV2P [2] proposed a VAE based model for video prediction without a time-varying distribution of latent variables in the generation and inference. SVG [6] improved upon this by using a Variational Recurrent Neural Network based model with a learned prior to flexibly model the dependencies across the latent variables corresponding to the different frames. SAVP [16] used VAE-GAN hybrid based models to improve the sharpness of the future frame predictions.

Prior efforts on video generation in the absence of past frames have largely been based on Generative Adversarial Networks. VGAN [27] used spatio-temporal 3D convolutions to generate videos with a single latent variable to represent the entire video. TGAN [21] proposed to model the temporal variations by using one-dimensional deconvolutions to generate separate latent variables for individual frames from a single latent variable for the entire video. MoCoGAN [24] separately encoded the motion and content of a video by dividing each frame’s representation into a fixed and a temporally varying part. Disentangled Sequential Autoencoder proposed an analogous model based on VAEs. We further review the details of MoCoGAN and Disentangled Sequential Autoencoder in Section 3. Villegas et al. [26] separated content and motion representations by using two different encoders, with the motion encoder inferring the representation from the difference of successive frames. Denton et al. [5] used adversarial and similarity inducing loss terms to disentangle each frame into pose and content. FHVAE[11] proposed a hierarchical VAE based model for disentangling representations of speech data into sequence-level and segment-level attributes. He et al. [9] used a VAE-based model with structured latent space to allow semi-supervised learning and conditional generation. Our approach focuses on flexibly sharing information across frames without putting constraints on the image latent space.

3. Preliminaries: MoCoGAN and Disentangled Sequential Autoencoder

The architectures of the proposed GAN and VAE based models are based on MoCoGAN and Disentangled Sequential Autoencoder respectively, for a fair comparison with these prior works. By demonstrating the effectiveness of the technique on two families of generative models, we aim to emphasize its general applicability and the resulting interpretation.

Both MoCoGAN and Disentangled Sequential Autoencoder generate a sequence of image representations, one for each frame within the video. Each frame’s representation is composed of two random vectors, encoding the content and pose information in the corresponding image separately. The content vector is drawn once from a fixed Isotropic Gaussian prior and remains fixed across all the frames within the video whereas the pose vectors are gener-

ated in a sequential manner using a GRU in MoCoGAN and an LSTM in Disentangled Sequential Autoencoder. Finally, a CNN based image generator (denoted by G_I in MoCoGAN and our work) is used to map each frame’s representation to the corresponding image. In MoCoGAN, an input Gaussian noise is fed at each time step into the GRU to generate the pose vectors having a learnt arbitrary distribution whereas in Disentangled Sequential Autoencoder, the pose vectors are assumed to have an Isotropic Gaussian distribution conditioned on the pose vectors of the previous frames, whose mean and variance are output at each step from the LSTM.

MoCoGAN uses two separate discriminators, D_V and D_I , to judge fixed length video clips and individual frames respectively. The video-discriminator D_V is based on spatio-temporal convolutions and evaluates both, the temporal coherence and quality of the video while the image discriminator D_I solely provides feedback to the image generator G_I based on the realism of images. Disentangled Sequential Autoencoder proposed two inference models, named full and factorized, which differed only in the relationship between the content and pose vectors. In the original work, both the models were reported to produce results of similar quality. We thus perform comparisons of our proposed model only with the factorized version.

4. Approach

The central components of the proposed technique are the learning of interpolations in the latent space instead of generation of the entire representation at each step and imposition of an independent fixed prior on the latent vectors. To jointly enforce both the aspects, at each time step, the proposed models add a learned residual vector to a base representation, which we name the summary vector. In section 4.1, we present GAN and VAE video generation models based upon the proposed approach, where the model flexibly exploits similarity across frames without constraining each frame’s representation to be disentangled. In section 4.2, we apply the technique to flexibly achieve disentanglement of each frame’s representation into content and motion parts. In both sections, we derive the architecture and notations from the respective baselines, i.e., MoCoGAN and Disentangled Sequential Autoencoder discussed in section 3.

4.1. Summary Frame-Based Models

In the proposed models, named RJGAN and RJVAE for Residual Joint GAN and Residual Joint VAE, respectively, the generation of a video involves first drawing a summary vector in the image latent space, denoted by μ and then successively sampling the residual vectors $\{\delta^{(t)}\}_{t=1}^T$ conditioned on μ as well as the residual vectors of the previous generated frames. The frame level latent variable corre-

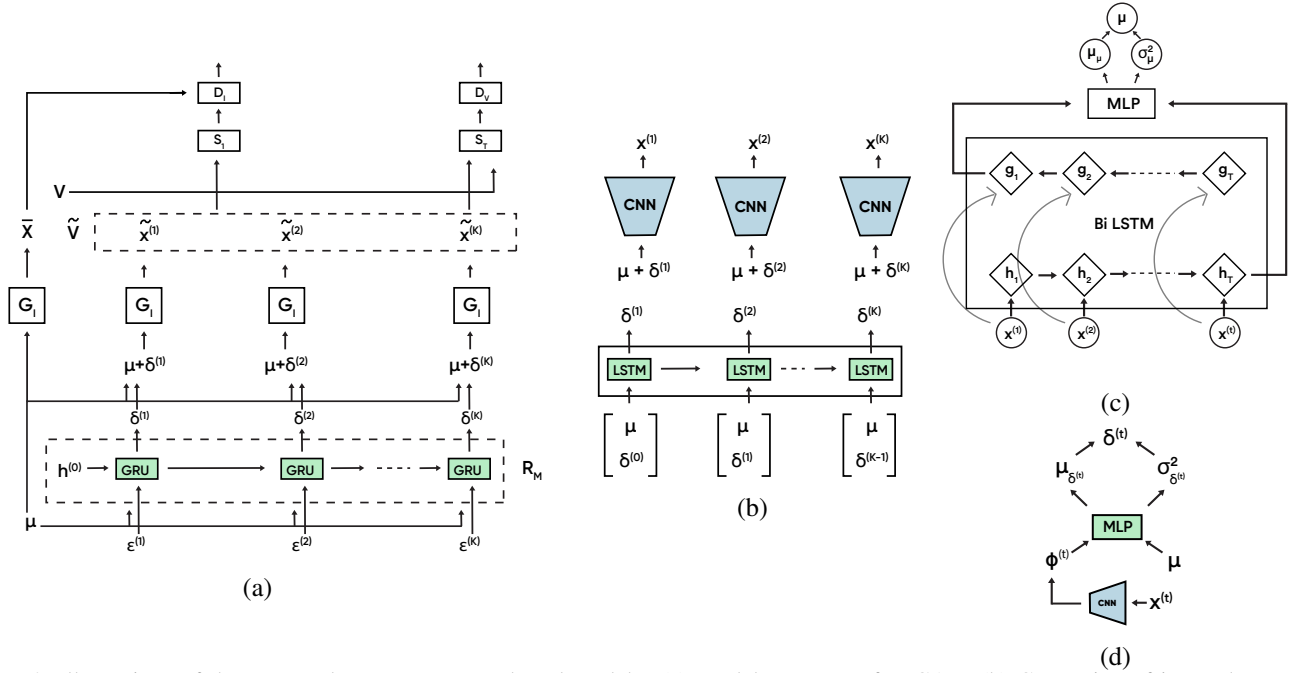


Figure 2. Illustrations of the proposed summary vector based models: (a) Model structure of RJGAN; (b) Generation of image latent vectors in RJVAE; (c) Inference of summary vector in RJVAE; (d) Inference of image latent vectors in RJVAE

sponding to the t^{th} frame, denoted by $\mathbf{z}^{(t)}$ is then given by $\boldsymbol{\mu} + \boldsymbol{\delta}^{(t)}$. As illustrated in Figure 2 (a) and (b), the temporal dependence across residual vectors in RJGAN and RJVAE is realized in the prior through a GRU (denoted by R_M) and an LSTM network respectively following the respective baselines. The prior for $\boldsymbol{\mu}$, which is drawn once for each video, is chosen to be Isotropic Gaussian $\mathcal{N}(\mathbf{0}, \sigma^2 \mathbf{I})$. At each time step in the generation process, the conditional distribution of the residual vector $p(\boldsymbol{\delta}^{(t)} | \boldsymbol{\delta}^{(<t)}, \boldsymbol{\mu})$ for RJVAE Figure(2 (b)) is a Multivariate Diagonal Gaussian parameterized by an LSTM cell that receives $\boldsymbol{\mu}$ as well as the residual vector of the previous frame $\boldsymbol{\delta}^{(t-1)}$ as input while for the RJGAN, Figure(2 (a)) $\boldsymbol{\delta}^{(t)}$ is the output of a GRU cell that receives as input a noise vector $\boldsymbol{\varepsilon}^{(t)}$ and $\boldsymbol{\mu}$. Each frame $\mathbf{x}^{(t)}$ is generated independently from $\mathbf{z}^{(t)}$ using a convolutional decoder(denoted by G_I in the RJGAN). The image corresponding to $\boldsymbol{\mu}$ is denoted by $\bar{\mathbf{x}}$ and called the summary frame for the video.

As in MoCoGAN, two separate discriminators D_V and D_I are used in RJGAN with inputs as fixed length video clips and individual frames respectively. The inference model for RJVAE, consists of a bi-LSTM network, as shown in Figure 2 (c), encoding $q(\boldsymbol{\mu} | \mathbf{x}^{(1:T)})$ which learns to extract the factors of variation affecting all the frames and a CNN based encoder, as shown in Figure 2 (d), modeling $q(\boldsymbol{\delta}^{(t)} | \mathbf{x}^{(t)}, \boldsymbol{\mu})$ which extracts the frame specific variation at each time step. The full probabilistic model and derivations of the ELBO are provided in the Appendix.

The samples obtained in experiments demonstrate that the summary vectors end up encoding realistic images and exhibit the full range of variations in the various images across videos. Thus, as in image generation models, the learning process automatically ends up imposing the fixed chosen prior on the image representations. The corresponding videos generated by the sequential network end up containing images that share visual features with the summary vector. Moreover, the model also learns to extract information pertaining to temporal factors of variation such as the action being performed from the corresponding summary frame.

In MoCoGAN, a video is generated by sampling a length κ from a discrete distribution estimated from the data and subsequently running the GRU network R_M for κ steps. The minimax objective is then constructed by considering the sampling of random frames and random fixed length clips for D_I and D_V respectively. The sampling mechanisms for D_I and D_V are represented by functions S_I and S_T respectively which both take as input either a video $\tilde{\mathbf{v}}$ generated by the model or a real video \mathbf{v} present in the dataset and output random frames and fixed length clips respectively. The gradient update algorithm updates the set of discriminators D_I and D_V , and the combined generator (G_I and R_M) in an alternating manner. While following the above training procedure for RJGAN is sufficient to enforce the fixed prior on the image latent space and generate videos of superior quality, we further improve the model's perfor-

mance by periodically inputting the images corresponding to the summary vector μ to the image discriminator D_I . Thus we modify the objective function by adding a term corresponding to the discriminator of an image generation model. Denoting real and generated videos by \mathbf{v} and $\tilde{\mathbf{v}}$ respectively, the modified objective function is given by:

$$\begin{aligned} & \mathbb{E}_{\mathbf{v}}[-\log D_I(S_1(\mathbf{v}))] + \mathbb{E}_{\tilde{\mathbf{v}}}[-\log(1 - D_I(S_1(\tilde{\mathbf{v}})))] + \\ & \mathbb{E}_{\mathbf{v}}[-\log D_V(S_T(\mathbf{v}))] + \mathbb{E}_{\tilde{\mathbf{v}}}[-\log(1 - D_V(S_T(\tilde{\mathbf{v}})))] + \\ & \mathbb{E}_{\mathbf{v}}[-\log D_I(S_1(\mathbf{v}))] + \mathbb{E}_{\mu}[-\log(1 - D_I(G_I(\mu)))] \end{aligned} \quad (1)$$

This modification explicitly enforces the images sampled from the fixed prior to be realistic, following standard image generation models. Evaluation results indicate that this joint sampling of images from videos and the fixed prior leads to improvements in the quality and diversity of both, the generated videos and the sampled images from the fixed prior.

4.2. Models with Disentanglement

The approach based on residual vectors described in the above section can be generalized to any set of vectors with high similarity and shared factors of variation. The major explanatory factors of variation can be captured in a summary vector, while inherent stochastic variations can be represented through residual vectors. In this section, we apply the technique to decompose a video into content and motion without imposing hard constraints of constancy on the image representations. Both MoCoGAN and Disentangled Sequential Autoencoder enforce the content representation to remain constant across the frames within a video. Imposing such a hard constraint of zero variation within a video on certain features of the image representations can hamper the generation capability of the model. For example, in a video of facial expressions, certain visual components such as the appearance of the person’s nose can change both within and across videos, albeit to a much different extent. Often, the differentiating factor between the content and pose features is that the pose features are completely responsible for the temporal dependence across frames.

We propose to model the minor variations in the content representation across frames using the residual vector technique. We apply the modification to MoCoGAN to obtain a flexible video generation model capable of disentanglement denoted by RMoCoGAN (Residual MoCoGAN). For the proposed model, we follow the notation and architecture of MoCoGAN. The video generation process, illustrated in Figure 13 (Appendix), consists of first sampling the content summary vector \mathbf{z}_C from a fixed Gaussian distribution $\mathcal{N}(\mathbf{0}, \sigma^2 \mathbf{I})$ and subsequently generating a sequence of motion vectors using the GRU network independent of the content summary. Unlike the baseline, the content representation differs at each time step and is obtained by adding a

residual vector $\delta_C^{(t)}$ to the content summary. The generation of $\delta_C^{(t)}$ is conditioned only on the content summary vector and the motion vector at the t^{th} step. Thus the temporal dependence is captured only through the motion vectors while both, the content and the motion parts of the frames’ representations are allowed to vary. Thus the content summary captures the factors of variation independent of temporal dependence and motion while the motion or pose vectors capture the factors affecting the variation over time. Quantitative and qualitative evaluations reveal the improvements obtained by RMoCoGAN in sample quality along with its ability to achieve disentanglement.

5. Experiments

We evaluate the performance of our proposed models on the tasks of video generation (RJGAN and RMoCoGAN), image generation (RJGAN), and the capability of disentangling motion and content (RMoCoGAN). We evaluate our models through human evaluation on 2-AFC (Two Alternative Forced Choice) Tasks, for both image and video generation. For metric based evaluation, we report the Inception Score for image generation and the FVD score for video generation. In addition to the details pertaining to the architecture, hyperparameters, and training conditions of all our models, we provide the specific details of the experiment settings on Amazon Turk, including the question posed, the description provided and the layout in the Appendix. In order to obtain reliable guarantees of performance improvement, we evaluate our proposed models on three different datasets namely, MUG Facial Expressions, Oulu CASIA NIR & VIS and Weizmann Action Database. Detailed descriptions of the datasets are provided in the Appendix.

5.1. Video Generation Performance

Human Evaluation Like [24], we perform human evaluation on 2AFC (Two-alternative Forced Choice) tasks for a quantitative comparison of our approaches with MoCoGAN. For each model under consideration, we randomly generate 128 video sequences for each task and randomly pair the videos for each of our proposed models with that of MoCoGAN, forming 128 2AFC tasks for each pair of models. The videos from two competing models are presented side by side, with the positions randomized in each task to ensure a fair comparison, such that there is an equal probability for a video to occupy the left or right position. The workers are then asked to choose the more realistic video. Each pair of videos is compared by 5 different workers. To ensure the integrity of our results, we selected only the workers that possess a Masters Qualification, obtained by demonstrating continued excellence across a wide range of tasks, and have a lifetime HIT (Human Intelligent Task) approval rate of 95 %. We report the Mean Worker Preference

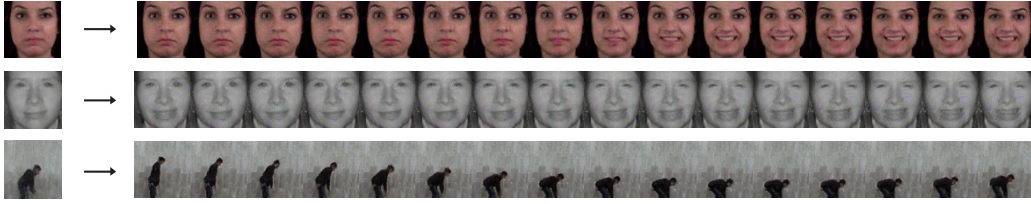


Figure 3. Visualization of summary frames and videos generated by RJGAN



Figure 4. Video Generation Samples at 1K iterations from MoCoGAN (top) and RJGAN with Pre-training (bottom)

Scores or the number of times an algorithm is preferred over its competitor, averaged over the number of workers times the number of tasks. As summarised in Table 1, we observe that both RJGAN and RMoCoGAN outperform MoCoGAN on both the datasets. Compared to MoCoGAN, RMoCoGAN achieves a worker preference score of 59.1 % and 54.7 % on the MUG and NIR Facial Expressions Dataset respectively, while RJGAN achieves a preference score of 67.2 % and 57.3 % respectively.

Worker Preference %	MUG	NIR
MoCoGAN / RMoCoGAN	40.9 / 59.1	45.2 / 54.8
MoCoGAN / RJGAN	32.8 / 67.2	42.7 / 57.3

Table 1. Worker Preference Scores for Video Generation

Metric Based Evaluation We use the recently proposed metric Frechet Video Distance (FVD) [25] to quantitatively evaluate the quality and diversity of the generated videos. A lower score indicates a higher similarity of the distribution of generated videos with the training data distribution. For both datasets, we compute the score by drawing 624 videos each from the real and generated data distributions.

Dataset	MoCoGAN	RMoCoGAN	RJGAN
MUG	134.8	104.4	99.9
NIR	125.7	118.7	105.5

Table 2. FVD Scores for Video Generation

Pre-Training and Training on Mixed Datasets We modify the MUG training dataset by disintegrating half of the videos into individual frames. This results in a dataset

consisting of a mixture of images and videos with nearly a 1 : 1 split according to the number of images. We verify our model’s capability of pre-training in both directions, i.e., training on the set of images first and subsequently training on videos and vice-versa. The latter is verified in Section 5.2 as training the model only on videos leads to improved image generation performance compared to a baseline trained only on images. We test the former quantitatively by comparing the FVD scores after training for 1000 iterations on the set of videos for RJGAN with pre-training, RJGAN without pretraining, and MoCoGAN without pre-training. Due to the disentanglement constraints, MoCoGAN is incompatible with a pre-trained image generator; as such a generator cannot incorporate constraints specific to videos. Figure 4 illustrates qualitative comparison between RJGAN at 1000 iterations after pre-training and MoCoGAN.

	MoCoGAN	RJGAN	RJGAN with pre-training
FVD after 1K iterations	445.3	438.7	199.6

Table 3. FVD Scores for Evaluation of Pre-training Capabilities

We further evaluate RJGAN by training it simultaneously on the 1:1 mixture of videos and images. The Image Discriminator is fed images from both the sets while the Video Discriminator obtains only videos. The model achieves an FVD score of 115.6, surpassing the MoCoGAN model trained on the full set of videos which obtains a score of 134.8. Unlike MoCoGAN, RJGAN’s Image discriminator is not constrained to input images only through the generated videos. The shared enforcement of the fixed prior by the image and video generators allows it to cover the entire distribution of images and account for the missing set of videos.

Visualization We randomly generate 128 videos from RJGAN, and, for each video, visualize the video frames along with the image corresponding to the summary vector, called the summary frame, obtained by providing μ as input to G_I . We observe that this image captures important information shared across the video frames, such as



Figure 5. Visualization of disentanglement in RMoCoGAN: each half corresponds to a pair of videos generated by fixing the content vector \mathbf{z}_C and varying the set of motion vectors \mathbf{z}_M .

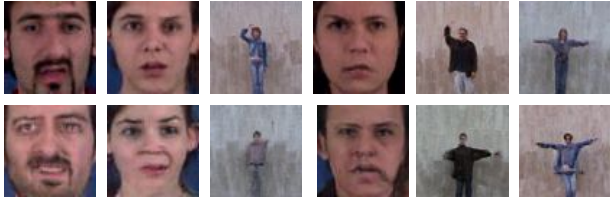


Figure 6. Image Generation Samples from RJGAN (top) and Baseline (bottom)

the facial identity in case of the MUG and NIR datasets, and the background, actor identity and action performed in the Weizmann Action dataset. Thus interpolations in image space can be used to obtain the corresponding changes in video space. We also observe that the individual frames of the video depict variations over this summary frame modeled by the additive variations over μ in the frame level representations ($\mathbf{z}^{(t)} = \mu + \delta^{(t)}$) We present one such illustration each for the MUG, Oulu Casia NIR, and Weizmann Actions datasets in Figure 3, and more examples in the Appendix.

5.2. Image Generation Performance

We demonstrate the improved image generation capabilities of RJGAN by comparing it with a suitable image generation baseline. The baseline image generator has the same architecture as G_I in RJGAN and is trained to generate individual frames of a video, in an adversarial fashion, using an image discriminator having the same architecture as that of D_I used in RJGAN and MoCoGAN. The image samples from RJGAN are generated by sampling a summary vector μ from the Isotropic Gaussian Prior and feeding it to its image generator G_I as input. The proposed technique for image generation is appropriate for benchmarking solely the image generation ability of RJGAN, as it uses only the G_I network without interacting with R_M in any manner. For a fair comparison, both the models are trained under the same conditions, details being described in the Appendix. Qualitative and Quantitative results obtained demonstrate that the joint image and video generation paradigm results in improvements in both video generation and image generation tasks, and that supplementing the image generator’s learning with temporal information (represented by the additive variations $\delta^{(t)}$) during training time, leads to improved test time performance.

Human Evaluation Similar to the previous section, we

perform human evaluation on the image samples generated by our baseline and RJGAN. The complete configuration of the experiment setup, including the reward, workers per task, worker qualifications, and randomization steps, is completely identical to that of the previous sections, except the users are presented two random samples of facial images drawn from RJGAN and the baseline respectively, and asked to choose the more realistic facial image. As summarised in Table 2, we observed that RJGAN outperforms the baseline with a preference score of 64.5 % on the MUG Facial Expression Dataset.

Worker Preference %	MUG
MoCoGAN / RJGAN	35.5 / 64.5

Table 4. Worker Preference Scores for Image Generation

Metric Based Evaluation We train a classifier having the same architecture as the Image Discriminator D_I in MoCoGAN and RJGAN, to classify the facial expression from individual, randomly chosen, frames of a video, on the MUG Facial Expression Dataset and use it to calculate the Inception Score as defined in [22]. We calculate the mean of the Inception Scores averaged over 10 different batches having a batch size of 128, and report the observations and the error estimates in Table 3. We observe that RJGAN obtains a higher Inception Score of 4.50, compared to the baseline, which has an Inception Score of 4.24.

Dataset	Baseline	RJGAN
MUG	4.24 \pm 0.02	4.50 \pm 0.01

Table 5. Inception Scores for Image Generation

Visualization We present some randomly sampled images from RJGAN, on the MUG Facial Expressions and Weizmann Actions datasets in Figure 6, and provide more such illustrations in the Appendix. The samples displayed for MUG are a random subset of the summary frames of the videos used during human evaluation.

5.3. Disentanglement

We perform a qualitative evaluation of the approximate disentanglement of motion and content in RMoCoGAN by first sampling a fixed content representation \mathbf{z}_C , and then randomly sampling the sequence of motion vectors \mathbf{z}_M for a

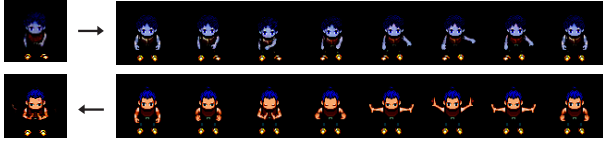


Figure 7. Summary frames along with the corresponding videos obtained by generation from the prior (top) and inference from a real video (bottom) in RJVAE

fixed number of iterations. In each iteration, a video is generated by first recomputing the sequence of residual vectors δ_C and subsequently generating each frame $x^{(t)}$ by providing $[\mathbf{z}_C + \delta_C^{(t)}, \mathbf{z}_M^{(t)}]$ to G_I as input.

Figure 13 illustrates one such example for four different pairs of \mathbf{z}_C and \mathbf{z}_M . We observe that the time-invariant aspects such as the facial identity of the person remain constant for a fixed \mathbf{z}_C and varying \mathbf{z}_M only affects the facial expression. The qualitative evaluation of disentanglement, along with the improved Worker Preference Scores of RMoCoGAN over MoCoGAN in Table 1, leads us to conclude that RMoCoGAN improves upon the video generation capabilities of MoCoGAN while still retaining the ability to disentangle content from motion in videos.

5.4. VAE Based Models

We evaluate the video generation capabilities of RJVAE and Disentangled Sequential Autoencoder on the Sprites Dataset, which was used for the latter’s evaluation in [17]. The dataset consists of animated characters with labeled controlled variations in the appearance, in terms of the skin color, tops, pants, and hairstyles (6 varieties for each), as well as the actions, namely walking, spellcasting, and slashing, each present in 3 viewing angles. We use the version of this dataset made publicly available by the authors of [17], and use the same train-test split used by them to train and evaluate the models.

Human Evaluation We benchmark RJVAE and the factorized version of Disentangled Sequential Autoencoder by human evaluation on 2-AFC tasks similar to the ones performed in Section 5.1 for MoCoGAN, RMoCoGAN, and RJGAN, except in this case we present the complete frames of the video stacked horizontally, as shown in Figure 7. This is done due to the small number of frames present in each video and the minute hand movements, which are not clearly visible if an animated video is presented. The procedures followed for the random pairing of the video frames, and the randomization of the position occupied by the videos in the experiment layout is the same as that described in Section 5.1 We provide the workers a short description of the dataset and ask them to choose the video that appears more realistic. We calculate the Mean Worker Preference Scores as defined in Section 5.1 and report them in Table 4 (where Disentangled Sequential Autoencoder is

abbreviated as DSA). We find that RJVAE outperforms Disentangled Sequential Autoencoder with a score of 57.7 % on the Sprites Dataset.

Worker Preference %	Sprites
DSA / RJVAE	42.3 / 57.7

Table 6. Worker Preference Scores for Video Generation in VAE Models

Visualization We provide a visualization of both, the generative model and the inference model in RJVAE in Figure 7. The top Figure is a sample from the generative model, generated by drawing $\mu \sim p(\mu)$ followed by subsequent sequential sampling of the residual vectors $\delta^{(t)} \sim p(\delta^{(t-1)}, \mu)$ and the video frames $x^{(1:T)}$, while the bottom figure is a sample from the inference model which draws a random video $x^{(1:T)}$ from the dataset and samples μ from the approximate posterior distribution $q(\mu|x^{(1:T)})$. The summary frame displayed is generated by passing μ as input to the CNN generator that maps $\mu + \delta^{(t)}$ to a video frame $x^{(t)}$. Similar to the visualization in Section 5.1, we observe that the summary frame successfully captures the time-invariant features of the entire video, such as the character identity and clothing, and also indicates the action being performed.

6. Conclusions and Future Work

We introduced a novel approach for generating a set of related vectors by encoding the shared information in a summary vector and modeling individual variations as residual vector additions. In the context of video generation, this leads to the design of models wherein image generation is combined with interpolation in the image latent space to generate videos. Experimental evaluations demonstrate improvements in both video and image generation over baselines. Application of the approach to previous models based on disentanglement of video into content and motion leads to increased flexibility in the encoding of images and improved sample quality while retaining the disentanglement capabilities.

Some of the promising directions for future work are (1) applying the proposed technique to datasets involving a mixture of videos and images, (2) pretraining the image generator on large image datasets for subsequent use in videos, (3) generalizing the learned interpolation framework to other transitions in image space such as object rotations and (4) investigating the application of the approach to other domains such as speech and text.

Acknowledgements: PR acknowledges support from Visvesvaraya Young Faculty Fellowship and Research-I Foundation.

References

- [1] N. Aifanti, C. Papachristou, and A. Delopoulos. The mug facial expression database. *Proc. 11th Int. Workshop on Image Analysis for Multimedia Interactive Services (WIAMIS)*, 2010.
- [2] M. Babaeizadeh, C. Finn, D. Erhan, R. H. Campbell, and S. Levine. Stochastic variational video prediction. *arXiv preprint arXiv:171011252*, 2017.
- [3] L. Castrejon, N. Ballas, and A. Courville. Improved conditional vrns for video prediction. *arXiv preprint arXiv:190412165*, 2019.
- [4] X. Chen, Y. Duan, R. Houthoofd, J. Schulman, I. Sutskever, and P. Abbeel. Infogan: Interpretable representation learning by information maximizing generative adversarial nets. *Advances in Neural Information Processing Systems (NeurIPS)*, 2016.
- [5] E. Denton and V. Birodkar. Unsupervised learning of disentangled representations from video. *Advances in Neural Information Processing Systems (NeurIPS)*, 2017.
- [6] E. Denton and R. Fergus. Stochastic video generation with a learned prior. *International Conference on Machine Learning (ICML)*, 2018.
- [7] I. Goodfellow, J. Pouget-Abadie, M. Mirza, B. Xu, D. Warde-Farley, S. Ozair, A. Courville, and Y. Bengio. Generative adversarial nets. In *Advances in Neural Information Processing Systems (NeurIPS)*, 2014.
- [8] L. Gorelick, M. Blank, E. Shechtman, M. Irani, and R. Basri. Actions as space-time shapes. *IEEE International Conference on Computer Vision (ICCV)*, 2005.
- [9] J. He, A. Lehrmann, J. Marino, G. Mori, and L. Sigal. Probabilistic video generation using holistic attribute control. *Proceedings of the European Conference on Computer Vision (ECCV)*, 2018.
- [10] I. Higgins, L. Matthey, A. Pal, C. Burgess, X. Glorot, M. Botvinick, S. Mohamed, and A. Lerchner. β -vae: learning basic visual concepts with a constrained variational framework. *Proceedings of the International Conference on Learning Representations (ICLR)*, 2017.
- [11] W.-N. Hsu, Y. Zhang, and J. Glass. Unsupervised learning of disentangled and interpretable representations from sequential data. *Advances in Neural Information Processing Systems (NeurIPS)*, 2017.
- [12] T. Karras, S. Laine, and T. Aila. A style-based generator architecture for generative adversarial networks. *IEEE Conference on Computer Vision and Pattern Recognition (CVPR)*, 2019.
- [13] D. E. King. Dlib-ml: A machine learning toolkit. *The Journal of Machine Learning Research*, 10:17551758, 2009.
- [14] D. P. Kingma and M. Welling. Auto-encoding variational bayes. *International Conference on Learning Representations (ICLR)*, 2013.
- [15] M. Kumar, M. Babaeizadeh, D. Erhan, C. Finn, S. Levine, L. Dinh, and D. Kingma. Videoflow: A flow-based generative model for video. *arXiv preprint arXiv:190301434*, 2019.
- [16] A. X. Lee, R. Zhang, F. Ebert, P. Abbeel, C. Finn, and S. Levine. Stochastic adversarial video prediction. *arXiv preprint arXiv:180401523*, 2018.
- [17] Y. Li and S. Mandt. Disentangled sequential autoencoder. *International Conference on Machine Learning (ICML)*, 2018.
- [18] M. Mathieu, C. Couprie, and Y. LeCun. Deep multi-scale video prediction beyond mean square error. *International Conference on Learning Representations (ICLR)*, 2016.
- [19] J. Oh, X. Guo, H. Lee, R. Lewis, and S. Singh. Action-conditional video prediction using deep networks in atari. *Advances in Neural Information Processing Systems (NeurIPS)*, 2015.
- [20] M. Ranzato, A. Szlam, J. Bruna, M. Mathieu, R. Collobert, and S. Chopra. Video (language) modeling: a baseline for generative models of natural videos. *arXiv preprint arXiv:14126604*, 2014.
- [21] M. Saito, E. Matsumoto, and S. Saito. Temporal generative adversarial nets with singular value clipping. *IEEE International Conference on Computer Vision (ICCV)*, 2017.
- [22] T. Salimans, I. Goodfellow, W. Zaremba, V. Cheung, A. Radford, and X. Chen. Improved techniques for training gans. *Advances in Neural Information Processing Systems (NeurIPS)*, 2016.
- [23] N. Srivastava, E. Mansimov, and R. Salakhudinov. Unsupervised learning of video representations using lstms. *International Conference On Machine Learning (ICML) pages 843-852*, 2015.
- [24] S. Tulyakov, M. Liu, X. Yang, and J. Kautz. Mocogan: Decomposing motion and content for video generation. *IEEE Conference on Computer Vision and Pattern Recognition (CVPR)*, 2018.
- [25] T. Unterthiner, S. van Steenkiste, K. K. R. Marinier, M. Michalski, and S. Gelly. Towards accurate generative models of video: A new metric and challenges. *arXiv preprint arXiv:1812.01717*, 2018.
- [26] R. Villegas, J. Yang, S. Hong, X. Lin, and H. Lee. Decomposing motion and content for natural video sequence prediction. *International Conference on Learning Representations (ICLR)*, 2017.

- [27] C. Vondrick, H. Pirsaviash, and A. Torralba. Generating videos with scene dynamics. *Advances in Neural Information Processing Systems (NeurIPS)*, 2016.
- [28] G. Zhao, X. Huang, M. Taini, S. Z. Li, and M. Pietikinen. Facial expression recognition from near-infrared videos. *Image and Vision Computing*, 29(9):607-619, 2011.