

Research Article

Improvement in Brightness Uniformity by Compensating for the Threshold Voltages of Both the Driving Thin-Film Transistor and the Organic Light-Emitting Diode for Active-Matrix Organic Light-Emitting Diode Displays

Ching-Lin Fan,^{1,2} Hao-Wei Chen,² Hui-Lung Lai,¹ Bo-Liang Guo,¹ and Bohr-Ran Huang^{1,2}

¹ Department of Electronic and Computer Engineering, National Taiwan University of Science and Technology, Taipei 106, Taiwan

² Graduate Institute of Electro-Optical Engineering, National Taiwan University of Science and Technology, Taipei 106, Taiwan

Correspondence should be addressed to Ching-Lin Fan; clfan@mail.ntust.edu.tw

Received 14 February 2014; Revised 18 April 2014; Accepted 29 April 2014; Published 24 June 2014

Academic Editor: Liang-Sheng Liao

Copyright © 2014 Ching-Lin Fan et al. This is an open access article distributed under the Creative Commons Attribution License, which permits unrestricted use, distribution, and reproduction in any medium, provided the original work is properly cited.

This paper proposes a novel pixel circuit design and driving method for active-matrix organic light-emitting diode (AM-OLED) displays that use low-temperature polycrystalline-silicon thin-film transistors (LTPS-TFTs) as driving element. The automatic integrated circuit modeling simulation program with integrated circuit emphasis (AIM-SPICE) simulator was used to verify that the proposed pixel circuit, which comprises five transistors and one capacitor, can supply uniform output current. The voltage programming method of the proposed pixel circuit comprises three periods: reset, compensation with data input, and emission periods. The simulated results reflected excellent performance. For instance, when $\Delta V_{TH} = \pm 0.33$ V, the average error rate of the OLED current variation was low ($< 0.8\%$), and when $\Delta V_{TH, OLED} = +0.33$ V, the error rate of the OLED current variation was 4.7%. Moreover, when the $I \times R$ (current \times resistance) drop voltage of a power line was 0.3 V, the error rate of the OLED current variation was 5.8%. The simulated results indicated that the proposed pixel circuit exhibits high immunity to the threshold voltage deviation of both the driving poly-Si TFTs and OLEDs, and simultaneously compensates for the $I \times R$ drop voltage of a power line.

1. Introduction

The most critical advantage of organic light-emitting diode (OLED) displays over conventional liquid crystal displays (LCD) is that OLED displays do not require backlight module systems. OLED displays can exhibit high contrast, wide viewing angle, fast response time, and low power consumption. Moreover, OLED panels can be thinner and lighter than LCD panels [1–3]. OLED displays are currently designed to use passive-matrix (PM) or active-matrix (AM) modes. PM-OLED displays use a grid to supply charges to a pixel, and AM-OLED displays use low-temperature polycrystalline-silicon thin-film transistors (LTPS-TFTs) to provide a driving current. AM-OLED displays are becoming increasingly popular because they provide more favorable high image contrast and performance than PM-OLED displays do [1]. Moreover,

AM-OLEDs have the advantage of using less driving current compared with PM-OLEDs, which can increase the lifetime of OLED materials [1].

AM-OLEDs differ from LCDs because the value of the current flowing through the lighting element controls the luminance of each lighting element; that is, AM-OLEDs use current-controlled lighting elements. Thus, the brightness of an OLED is proportional to the amount of current passing through the diode. To obtain a uniform distribution of brightness, AM-OLED displays must uniformly deliver current to the OLED. However, the inevitable variation in the excimer laser annealing (ELA) process, which is used to form the poly-Si channel, causes a wide variety of electrical characteristics in individual LTPS-TFTs, resulting in a nonuniform driving current [4]. Furthermore, electrical performance degradation of AM-OLEDs caused by long-term operation decreases their

brightness, which can be the threshold voltage degradation of driving TFTs (DTFTs) and OLEDs in a pixel circuit [5, 6]. The voltage drop across the parasitic resistance of a power line, called $I \times R$ (current \times resistance) drop voltage, also causes nonuniform brightness in AM-OLED panels [7]. These differences in the threshold voltages of DTFTs and OLEDs and the $I \times R$ drop voltage of a power line cause different currents flowing into the OLED among the pixels. Tightening the threshold voltage variation and preventing the luminance degradation of OLEDs are very crucial to AM-OLED technology. It is reported that the two-TFT and one-capacitor (2T1C) pixel circuit suffers from pixel-to-pixel luminance nonuniformity because of the threshold voltage variation of DTFTs (shown in Figure 1). This issue is exacerbated as the size of a display increases. Instead of improving TFT processes, several studies have attempted to reduce the brightness variation across display panels by altering pixel circuit designs, which can use voltage driving, current driving, and digital driving compensation approaches [8–15]. The current driving method can minimize the shift in the DTFT threshold voltage; however, it requires a longer pixel charging time than that of voltage driving method because of the high parasitic capacitance of a data line. The digital compensation has two methods, such as area ratio grayscale method and time ratio grayscale method. These two methods have an advantage that OLED current can be partly uniform against the variation of the DTFT characteristic. However, the grayscale numbers of area ratio grayscale method and time ratio grayscale method are limited by the subarea number and the subframe number, respectively. Nowadays, the grayscale of display has already become a huge amount, so the digital methods were not suitable for application on the high resolution for AMOLED [15]. The voltage driving method can effectively manage the threshold voltage shift and also solve the nonuniform brightness problem. However, most studies have not simultaneously compensated for the threshold voltage variation of DTFTs and OLEDs and the $I \times R$ drop voltage [8–15].

This paper proposes a novel voltage programming AM-OLED pixel circuit to produce displays with uniform brightness. The proposed pixel circuit, which comprises five n-type LTPS-TFTs and one capacitor, can compensate for the nonuniformity of OLED currents caused by the threshold voltage variations of DTFTs and OLEDs. The pixel circuit can also simultaneously compensate for the OLED luminance degradation caused by the $I \times R$ drop voltage of a power line. The simulation results indicated that the proposed pixel circuit successfully supplies a highly stable OLED current and is suitable for larger AM-OLED displays.

2. Operation of the New Proposed Voltage Programming Pixel Circuit

To achieve a stable OLED current even through the DTFTs and OLEDs producing threshold voltage variations, a five-TFT and one-capacitor pixel circuit was designed. Figure 2(a) shows a schematic of the proposed pixel circuit, which includes one DTFT, four switching TFTs (Sw1 to Sw4), one

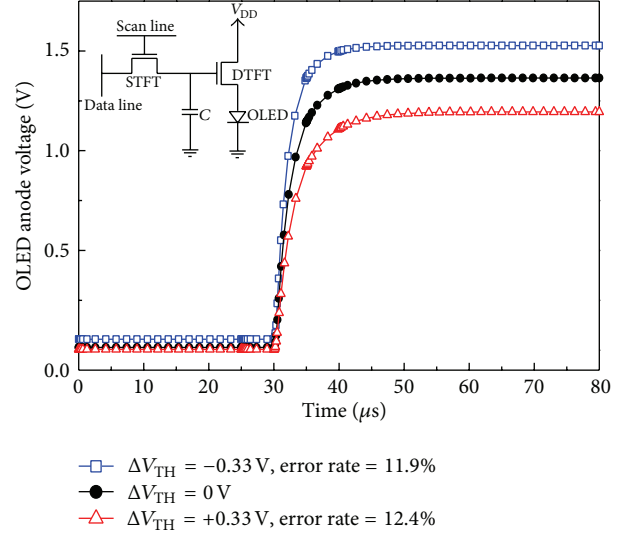


FIGURE 1: Anode voltages of OLEDs at various DTFT threshold voltage shifts ($\Delta V_{TH} = -0.33, 0, \text{ and } +0.33 \text{ V}$) for the conventional two-TFT driving scheme when $V_{DATA} = 3 \text{ V}$.

storage capacitor (C_{ST}), one OLED, and three signal lines (V_{SCAN1} , V_{SCAN2} , and V_{DATA}). Sw1 is used to turn the DTFT into a diode-connected structure; Sw2 detects the voltage between the gate and the drain (V_{GD}) in the DTFT; Sw3 controls the emission stage of the OLED; Sw4 is used to control data input. V_{SCAN1} and V_{SCAN2} are the control signals used to turn the switching TFTs (Sw1 to Sw4) on or off. V_{DATA} represents a data-voltage signal and V_{DD} refers to a constant-voltage source. The control-signal timing diagram for the proposed circuit is divided into three stages, as shown in Figure 2(b). The three circuit operations stages are Periods ①, ②, and ③, which refer to a reset period, a compensation period with data input, and an emission period, respectively. The equivalent circuits at each operation stage are shown in Figure 3. The operational method and compensation principle that apply to the proposed pixel circuit are described as follows.

2.1. Reset Period. The functions in this stage are precharging and resetting the voltage stored in C_{ST} . V_{SCAN1} and V_{SCAN2} are high and V_{DATA} is low; therefore, Sw1, Sw2, Sw3, and Sw4 are turned on. The voltage located at Node A is charged to V_{RESET} through Sw1 and Sw2. The voltage previously stored in C_{ST} is reset; therefore, the gate voltage of the DTFT connected to C_{ST} is also reset for initialization. This stage can be used to reset gate voltage of DTFT which is composed of the V_{DATA} and the compensated voltage in the previous emission period. In addition, the charging current will flow through the OLED in the reset period to cause the decreased contrast ratio except that extra scan lines for switch TFTs are added in the circuit [11, 16].

2.2. Compensation Period with Data Input. In this stage, the threshold voltage of the DTFT (V_{TH}) is detected by the

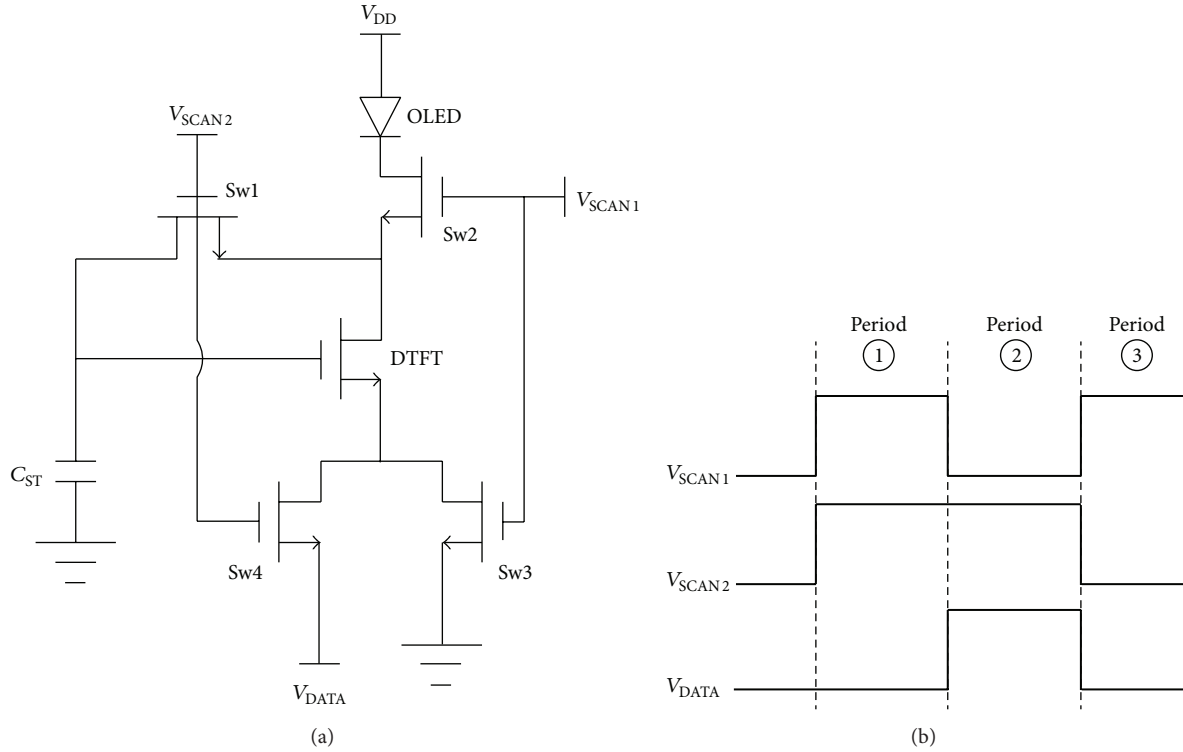


FIGURE 2: (a) Schematic diagram of the proposed pixel circuit and (b) its control-signal timing diagram.

compensation operation. When V_{SCAN1} returns to a low value, Sw2 and Sw3 are turned off. When V_{SCAN2} remains high, Sw1 and Sw4 stay on. At this moment, when a data voltage (V_{DATA}) is applied, the voltage at the source electrode of DTFT becomes V_{DATA} and the gate electrode of DTFT is charged to a higher potential, which is sufficiently high not to interfere with the compensation operation at this stage. Hence, the gate voltage of DTFT (V_A) is discharged through Sw1, DTFT, and Sw4 until the DTFT is turned off. The gate voltage of DTFT that has a diode-connect structure reaches $V_{DATA} + V_{TH}$, where V_{TH} is the DTFT threshold voltage. Because Node B is set to ground, the voltage across C_{ST} can be written as $V_A - V_B = V_{DATA} + V_{TH}$.

2.3. Emission Period. During the emission stage, when V_{SCAN1} becomes high, this turns on Sw2 and Sw3. V_{SCAN2} then returns to a low value, Sw1 and Sw4 are turned off, and V_{DATA} also decreases to a low value. Capacitor C_{ST} maintains the gate voltage of DTFT ($V_{DATA} + V_{TH}$) until the reset stage of next operation cycle. The OLED current (I_{OLED}), which equals the drain current of DTFT in the saturation region, can be written as

$$\begin{aligned}
 I_{OLED} &= \frac{1}{2} K_{DTFT} (V_{GS_DTFT} - V_{TH})^2 \\
 &= \frac{1}{2} K_{DTFT} ((V_{DATA} + V_{TH}) - V_{TH})^2 \\
 &= \frac{1}{2} K_{DTFT} (V_{DATA})^2,
 \end{aligned} \quad (1)$$

where

$$K_{DTFT} = \mu C_{ox} \frac{W}{L}. \quad (2)$$

Thus, I_{OLED} is independent of the DTFT and OLED threshold voltages and is only affected by the data voltage (V_{DATA}). The proposed pixel circuit effectively compensates for both the DTFT and OLED threshold voltage shifts and improves the display image quality for AM-OLED displays.

3. Simulation Result and Discussion

AIM-SPICE was used to simulate the proposed pixel circuit to investigate the compensation capability of the threshold voltage shifts of DTFTs and OLEDs. The AIM-SPICE poly-Si TFT model, poly-Si TFT model PSIA2 (level 16), was used in the simulation. The OLED was modeled using a diode-connected poly-Si TFT and a capacitor. Table 1 shows the simulation parameters. The simulated I - V curves of the poly-Si TFT (DTFT) and OLED with the parameters of Table 1 are shown in Figures 4(a) and 4(b), respectively.

Figure 5 shows the transient waveforms of each DTFT node when the data voltage (V_{DATA}) is 3 V. At the compensation stage with data input (Period ②), the DTFT gate voltage is discharged to $V_{DATA} + V_{TH} = 4$ V, where V_{TH} is the DTFT threshold voltage. During the emission stage (Period ③), the DTFT gate voltage is maintained at 4 V ($V_{DATA} + V_{TH}$) as the DTFT V_{GS} . Thus, the proposed circuit successfully compensates for the threshold voltage degradation of DTFTs

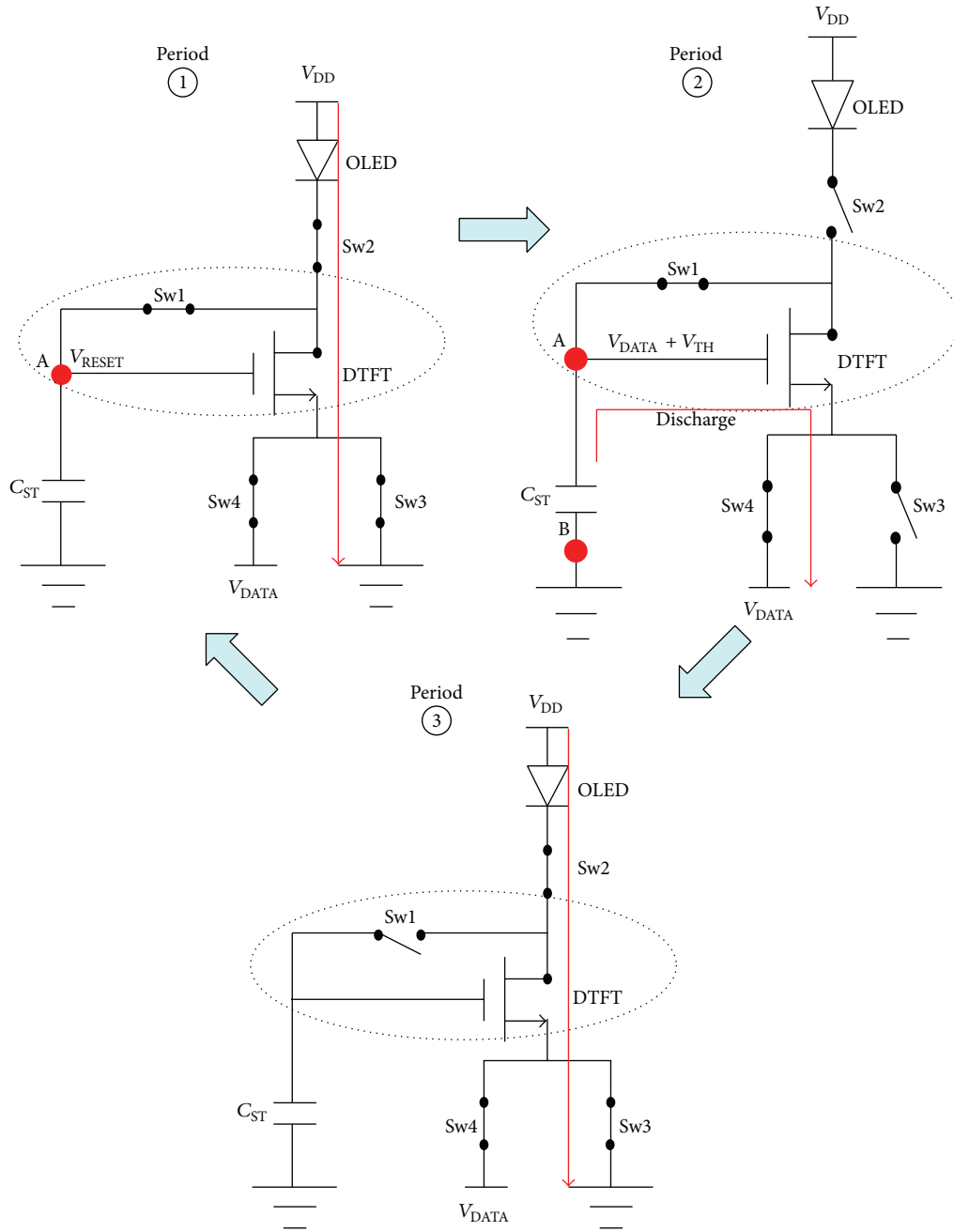


FIGURE 3: Equivalent circuits at each operation stage.

TABLE 1: Simulation parameters of the proposed pixel circuit.

Devices			
W/L (Sw1~Sw4) (μm)	8/2	V_{TH} (DTFT) (V)	1
W/L (DTFT) (μm)	12/2	$V_{TH,OLED}$ (OLED) (V)	1
C_{ST} (pF)	0.35	C_{OLED} (pF)	1
μ_{FET} (cm^2/Vs)		51.48	
Signal line			
V_{SCAN1} (V)	-3 to 15	V_{DATA} (V)	1 to 4.5
V_{SCAN2} (V)	-3 to 15	V_{DD} (V)	12

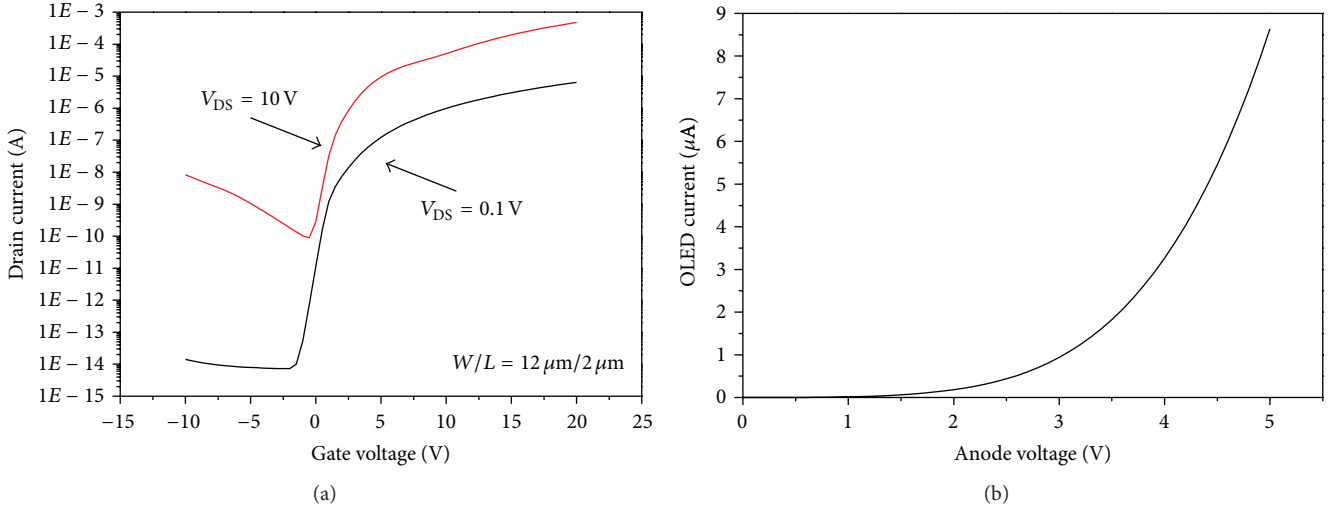


FIGURE 4: (a) The simulated I_{DS} - V_{GS} curves of the poly-Si TFT (DTFT) and (b) the I - V curve of the OLED.

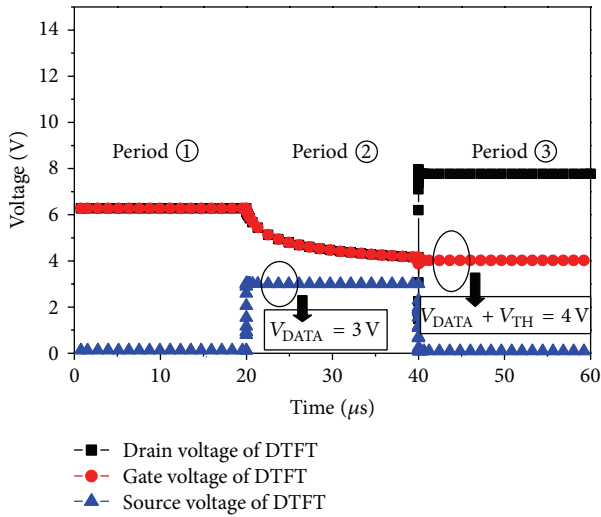


FIGURE 5: Gate, source, and drain voltages of DTFTs during different operation stages.

and OLEDs. Figure 6 shows the simulated transient results obtained by varying the DTFT threshold voltage ($\Delta V_{TH} = -0.33, 0, \text{ and } +0.33$ V). The OLED cathode voltage was insensitive to the DTFT threshold voltage deviation. The error rates of the OLED cathode voltage when $\Delta V_{TH} = 0$ and ± 0.33 V were all below 0.03%. Therefore, the current flowing through the OLED was uniform. Thus, the proposed pixel circuit reduced the effect of DTFT and OLED threshold voltage deviations.

The OLED driving current affects the OLED luminance and represents the display brightness. The simulation results indicated that the DTFT threshold voltage deviation caused

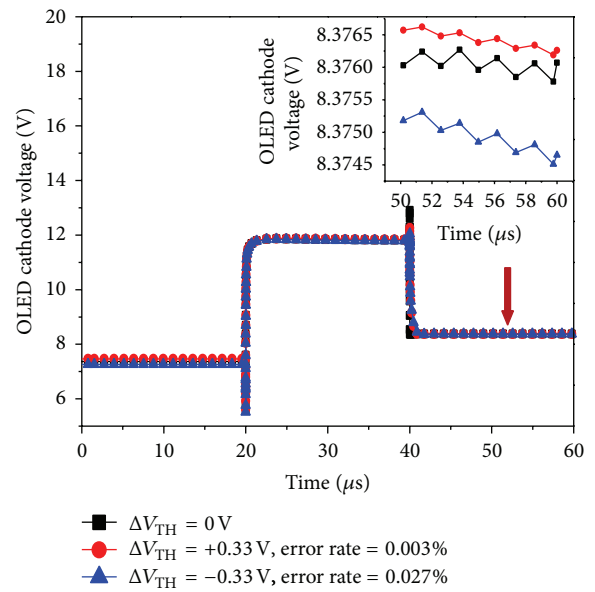
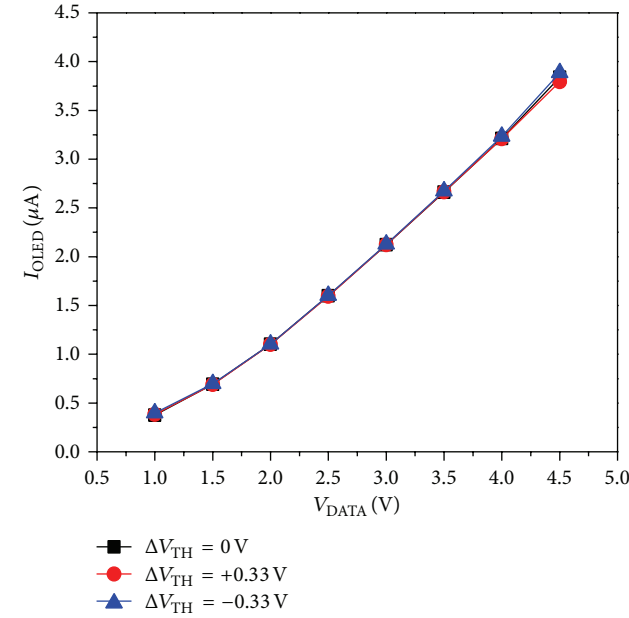


FIGURE 6: Cathode voltages of OLEDs at various DTFT threshold voltage shifts ($\Delta V_{TH} = -0.33, 0, \text{ and } +0.33$ V). The inset indicates that the variation is less than 0.005 V during the emission period.

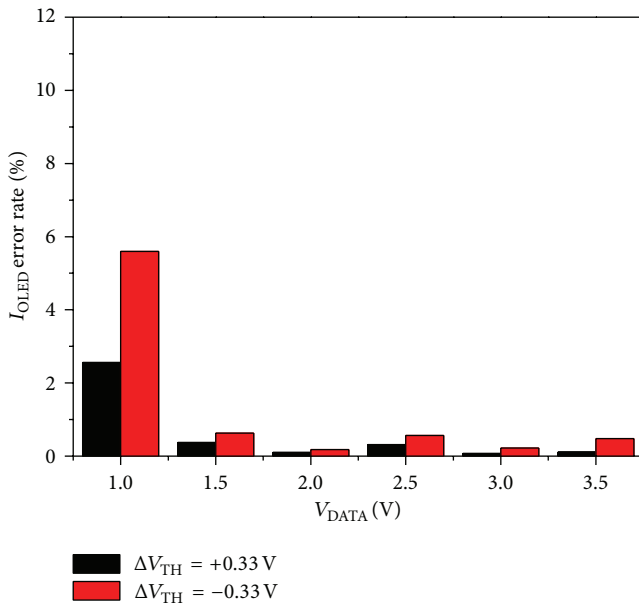
the OLED current variation. The error rate of the OLED current (I_{OLED}) is defined as the difference between the shifted OLED driving current ($\Delta V_{TH} = \pm 0.33$ V) and the normal OLED current ($\Delta V_{TH} = 0$ V), as shown in the following equation:

Error rate

$$= \frac{I_{OLED}(\Delta V_{TH} = \pm 0.33 \text{ V}) - I_{OLED}(\Delta V_{TH} = 0 \text{ V})}{I_{OLED}(\Delta V_{TH} = 0 \text{ V})} \quad (3)$$



(a)



(b)

FIGURE 7: (a) OLED current (I_{OLED}) and (b) I_{OLED} error rate when $\Delta V_{\text{TH}} = \pm 0.33$ V at various data voltage.

Figures 7(a) and 7(b) present the OLED currents (I_{OLED}) and their error rates when $\Delta V_{\text{TH}} = \pm 0.33$ V at various data voltage, respectively. The figures clearly indicate that the average I_{OLED} error rate is below 0.8% for the proposed circuit. The average error rates of conventional 2T1C and other published pixel circuits are approximately 30% and 5%, respectively [10–12]. Therefore, the display image quality of panels that use the proposed pixel circuit will be more uniform than conventional 2T1C and reported pixel circuits.

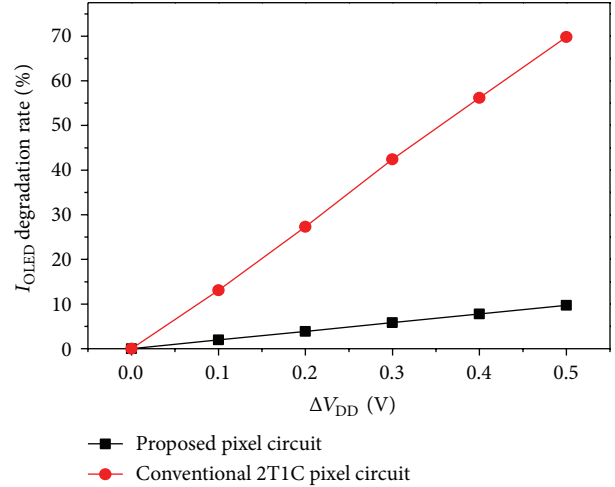


FIGURE 8: Proposed pixel circuit I_{OLED} degradation rate, compared with the degradation rate of conventional 2T1C pixel circuit, when the range of the $I \times R$ drop voltage of a power line (ΔV_{DD}) is 0.5 V.

Figure 8 presents the simulation results of the I_{OLED} degradation rates of the proposed circuit and the conventional 2T1C pixel circuit when the range of the $I \times R$ drop voltage of a power line (ΔV_{DD}) is 0.5 V. The initial V_{DD} value was set to 12 V and the $I \times R$ drop voltage (ΔV_{DD}) was set to 0.5 V; that is, the V_{DD} decayed from 12 V to 11.5 V. In conventional 2T1C pixel circuit, the I_{OLED} degradation rate is approximately 70% to 80%. The proposed pixel circuit can improve the I_{OLED} degradation rate caused by the $I \times R$ drop voltage of a power line. In addition, the I_{OLED} degradation rate when ΔV_{DD} was 0.3 V improved to approximately 5.8%. This demonstrates that the proposed pixel circuit can effectively solve the issue of $I \times R$ drop voltage.

Figures 9(a) and 9(b) present the I_{OLED} value and its error rate when the degradation of the OLED threshold voltage ($\Delta V_{\text{TH, OLED}}$) is +0.33 V at a range of data voltages between 1 V and 4.5 V, respectively. After long-term operation, the OLED threshold voltage ($V_{\text{TH, OLED}}$) increases, causing the brightness and quality of the display to deteriorate. As shown in Figure 9(b), the proposed pixel circuit can compensate for OLED degradation and the average I_{OLED} error rate was 4.7%. Therefore, the display image uniformity improved as a result of the decreased I_{OLED} error rate.

4. Conclusions

This study proposed a voltage programming pixel circuit for AM-OLED displays and verified the circuit using the AIM-SPIICE simulator. The proposed circuit was composed of five TFTs and one capacitor and it simultaneously compensated for the threshold voltage variations of DTFTs and OLEDs and the $I \times R$ drop voltage of a power line. The simulation results demonstrated that the average error rates of the OLED current when $\Delta V_{\text{TH}} = \pm 0.33$ V for DTFTs and $\Delta V_{\text{TH, OLED}} = +0.33$ V for the OLEDs were less than 1% and 5%, respectively. The average error rate was also less sensitive to the $I \times R$ drop voltage of a power line. Therefore, the proposed circuit

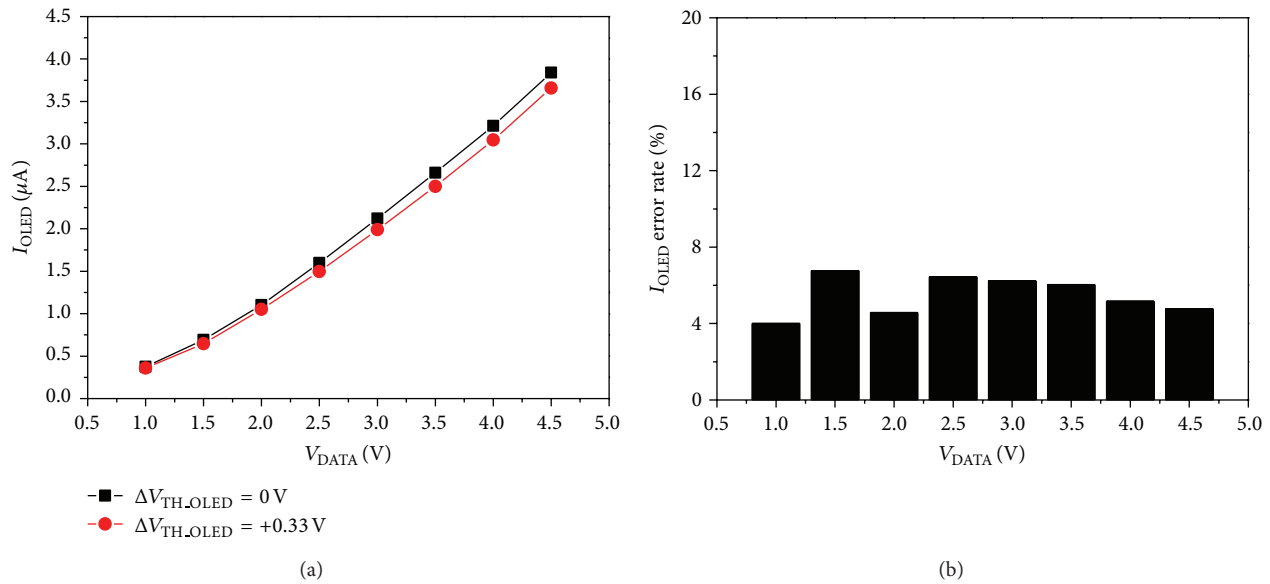


FIGURE 9: (a) I_{OLED} and (b) I_{OLED} error rate when the degradation of the OLED threshold voltage ($\Delta V_{\text{TH,OLED}}$) is +0.33 V, with a voltage range between 1 V and 4.5 V.

exhibited high immunity to the threshold voltage deviation of both DTFTs and OLEDs and improved the brightness uniformity of AM-OLED displays.

Conflict of Interests

The authors declare that there is no conflict of interests regarding the publication of this paper.

Acknowledgments

The authors would like to acknowledge the financial support of the National Science Council of Taiwan under Contract nos. NSC 101-2221-E-011-070 and NSC 102-2221-E-011-112-MY2 and of the Taiwan Building Technology Center (TBTC) of National Taiwan University of Science and Technology (NTUST).

References

- [1] M. Stewart, R. S. Howell, L. Pires, M. K. Hatalis, W. Howard, and O. Prache, "Polysilicon VGA active matrix OLED displays—technology and performance," in *Proceedings of IEEE International Electron Device Meeting (IEDM '98)*, pp. 871–874, December 1998.
- [2] T. Funamoto, Y. Matsueda, O. Yokoyama, A. Tsuda, H. Takeshita, and S. Miyashita, "A 130-ppi, full-color polymer OLED display fabricated using an ink-jet process," in *Proceedings of the SID Symposium Digest of Technical Papers*, pp. 899–901, 2002.
- [3] H. Lee, B. H. You, W. J. Nam, H. J. Lee, and M. K. Han, "A new a-Si:H TFT pixel design compensating threshold voltage degradation of TFT and OLED," in *Proceedings of the SID Symposium Digest of Technical Papers*, pp. 264–267, 2004.
- [4] C. L. Fan, Y. Y. Lin, B. S. Lin, J. Y. Chang, C. L. Fan, and H. C. Chang, "New pixel circuit compensating poly-si TFT threshold-voltage shift for a driving AMOLED," *Journal of the Korean Physical Society*, vol. 56, no. 4, pp. 1185–1189, 2010.
- [5] H. Aziz, "Degradation mechanism of small molecule-based organic light-emitting devices," *Science*, vol. 283, no. 5409, pp. 1900–1902, 1999.
- [6] J. Zhou, M. Wang, and M. Wong, "Two-stage degradation of p-channel poly-Si thin-film transistors under dynamic negative bias temperature stress," *IEEE Transactions on Electron Devices*, vol. 58, no. 9, pp. 3034–3041, 2011.
- [7] S.-H. Jung, W.-J. Nam, and M.-K. Han, "A new voltage-modulated AMOLED pixel design compensating for threshold voltage variation in Poly-Si TFTs," *IEEE Electron Device Letters*, vol. 25, no. 10, pp. 690–692, 2004.
- [8] A. Nathan, G. R. Chaji, and S. J. Ashtiani, "Driving schemes for a-Si and LTPS AMOLED displays," *IEEE/OSA Journal of Display Technology*, vol. 1, no. 2, pp. 267–277, 2005.
- [9] Yumoto, M. Asano, H. Hasegawa, and M. Sekiya, "Pixel-driving methods for large-sized poly-Si AM-OLED displays," in *Proceedings of International Display Workshops*, pp. 1395–1398, 2001.
- [10] C.-L. Fan, Y.-Y. Lin, J.-Y. Chang, B.-J. Sun, and Y.-W. Liu, "A new low temperature polycrystalline silicon thin film transistor pixel circuit for active matrix organic light emitting diode," *Japanese Journal of Applied Physics*, vol. 49, no. 6, pp. 0642011–0642015, 2010.
- [11] C.-L. Lin and Y.-C. Chen, "A novel LTPS-TFT pixel circuit compensating for TFT threshold-voltage shift and OLED degradation for AMOLED," *IEEE Electron Device Letters*, vol. 28, no. 2, pp. 129–131, 2007.
- [12] H.-J. In and O.-K. Kwon, "External compensation of non-uniform electrical characteristics of thin-film transistors and degradation of OLED devices in AMOLED displays," *IEEE Electron Device Letters*, vol. 30, no. 4, pp. 377–379, 2009.

- [13] W.-J. Wu, L. Zhou, R.-H. Yao, and J.-B. Peng, "A new voltage-programmed pixel circuit for enhancing the uniformity of AMOLED displays," *IEEE Electron Device Letters*, vol. 32, no. 7, pp. 931–933, 2011.
- [14] W.-J. Wu, L. Zhou, M. Xu, L.-R. Zhang, R.-H. Yao, and J.-B. Peng, "An AC driving pixel circuit compensating for tfts threshold-voltage shift and oled degradation for amoled," *IEEE/OSA Journal of Display Technology*, vol. 9, no. 7, pp. 572–576, 2013.
- [15] M. Kimura, Y. Hara, H. Hara, T. Okuyama, S. Inoue, and T. Shimoda, "Classification of driving methods for TFT-OLEDs and novel proposal using time ratio grayscale and current uniformization," *IEICE Transactions on Electronics*, vol. E88-C, no. 11, pp. 2043–2050, 2005.
- [16] C.-L. Lin, C.-C. Hung, W.-Y. Chang, M.-H. Cheng, P.-Y. Kuo, and Y.-C. Chen, "Voltage driving scheme using three TFTs and one capacitor for active-matrix organic light-emitting diode pixel circuits," *IEEE/OSA Journal of Display Technology*, vol. 8, no. 10, pp. 602–608, 2012.



Hindawi

Submit your manuscripts at
<http://www.hindawi.com>

