

WIND-TUNNEL STUDY OF
MAIN PLACE HOTEL, DALLAS

by
J. A. Peterka* and J. E. Cermak**

for

Hellmuth, Obata & Kassabaum, Inc.
First International Building, Suite 5453
1201 Elm Street
Dallas, Texas 75270

Fluid Mechanics and Wind Engineering Program
Fluid Dynamics and Diffusion Laboratory
Department of Civil Engineering
Colorado State University
Fort Collins, Colorado 80523

March 1979

*Associate Professor
**Professor-in-Charge, Fluid Mechanics
and Wind Engineering Program

CER78-79JAP-JEC44

TABLE OF CONTENTS

<u>Chapter</u>	<u>Page</u>
LIST OF TABLES	iii
LIST OF FIGURES	iv
LIST OF SYMBOLS	v
1 INTRODUCTION	1
1.1 General	1
1.2 The Wind Tunnel Test	2
2 EXPERIMENTAL CONFIGURATION	5
2.1 Wind Tunnel	5
2.2 Model	5
3 INSTRUMENTATION AND DATA ACQUISITION	8
3.1 Flow Visualization	8
3.2 Pressures	8
3.3 Velocity	10
4 RESULTS	12
4.1 Flow Visualization	12
4.2 Velocity	12
4.3 Pressures	15
4.4 Force and Moment Coefficients	19
5 DISCUSSION	21
5.1 Flow Visualization	21
5.2 Pedestrian Winds	21
5.3 Pressures	23
REFERENCES	24
FIGURES	25
TABLES	61
APPENDIX A	134

LIST OF TABLES

<u>Table</u>		<u>Page</u>
1	Motion Picture Scene Guide	61
2	Pedestrian Wind Velocities and Turbulence Intensities	62
3	Annual Percentage Frequencies of Wind Direction and Speed	67
4	Summary of Wind Effects on People	68
5	Calculation of Reference Pressure	69
6	Maximum Pressure Coefficients and Loads in PSF	70
7	Force and Moment Coefficients and Loads	84

LIST OF FIGURES

<u>Figure</u>		<u>Page</u>
1	Fluid Dynamics and Diffusion Laboratory	25
2	Wind Tunnel Configuration	26
3	Pressure Tap Locations	27
4	Building Location and Pedestrian Wind Velocity Measuring Positions	35
5	Completed Model in Wind Tunnel	37
6	Data Sampling Time Verification	38
7	Mean Velocity and Turbulence Profiles Approaching the Model	39
8	Mean Velocities and Turbulence Intensities at Pedestrian Locations	40
9	Wind Velocity Probabilities for Pedestrian Locations . .	49
10	Peak-Pressure Contours on the Building for Glass Loads .	55

LIST OF SYMBOLS

<u>Symbol</u>	<u>Definition</u>
U	Local mean velocity
D	Characteristic dimension (building height, width, etc.)
ν, ρ	Kinematic viscosity and density of approach flow
$\frac{UD}{\nu}$	Reynolds number
E	Mean voltage
A, B, n	Constants
U_{rms}	Root-mean-square of fluctuating velocity
E_{rms}	Root-mean-square of fluctuating voltage
U_{∞}	Reference mean velocity outside the boundary layer
X, Y	Horizontal coordinates
Z	Height above surface
δ	Height of boundary layer
T_u	Turbulence intensity $\frac{U_{rms}}{U_{\infty}}$ or $\frac{U_{rms}}{U}$
$C_{P_{mean}}$	Mean pressure coefficient, $\frac{(p-p_{\infty})_{mean}}{0.5 \rho U_{\infty}^2}$
$C_{P_{rms}}$	Root-mean-square pressure coefficient, $\frac{((p-p_{\infty})-(p-p_{\infty})_{mean})_{rms}}{0.5 \rho U_{\infty}^2}$
$C_{P_{max}}$	Peak maximum pressure coefficient, $\frac{(p-p_{\infty})_{max}}{0.5 \rho U_{\infty}^2}$
$C_{P_{min}}$	Peak minimum pressure coefficient, $\frac{(p-p_{\infty})_{min}}{0.5 \rho U_{\infty}^2}$
() _{min}	Minimum value during data record
() _{max}	Maximum value during data record
p	Fluctuating pressure at a pressure tap on the structure
p_{∞}	Static pressure in the wind tunnel above the model

<u>Symbol</u>	<u>Definition</u>	
F_x, F_y	Forces in X, Y direction	
M_x, M_y, M_z	Moments about X, Y, Z axes	
A_R	Reference Area	
L_R	Reference Length	
CF_X	Force coefficient, X direction,	$\frac{F_x}{A_R 0.5\rho U_\infty^2}$
CF_Y	Force coefficient, Y direction,	$\frac{F_y}{A_R 0.5\rho U_\infty^2}$
CM_X	Moment coefficient, X axis,	$\frac{M_x}{A_R H_R 0.5\rho U_\infty^2}$
CM_Y	Moment coefficient, Y axis,	$\frac{M_y}{A_R H_R 0.5\rho U_\infty^2}$
CM_Z	Moment coefficient, Z axis,	$\frac{M_z}{A_R H_R 0.5\rho U_\infty^2}$

1. INTRODUCTION

1.1 General

A significant characteristic of modern building design is lighter cladding and more flexible frames. These features produce an increased vulnerability of glass and cladding to wind damage and result in larger deflections of the building frame. In addition, increased use of pedestrian plazas at the base of the buildings has brought about a need to consider the effects of wind and gustiness in the design of these areas.

The building geometry itself may increase or decrease wind loading on the structure. Wind forces may be modified by nearby structures which can produce beneficial shielding or adverse increases in loading. Overestimating loads results in uneconomical design; underestimating may result in cladding or window failures. Tall structures have historically produced unpleasant wind and turbulence conditions at their bases. The intensity and frequency of objectionable winds in pedestrian areas is influenced both by the structure shape and by the shape and position of adjacent structures.

Techniques have been developed during the past decade for wind tunnel modeling of proposed structures which allow the prediction of wind pressures on cladding and windows, overall structural loading, and also wind velocities and gusts in pedestrian areas adjacent to the building. Information on sidewalk-level gustiness allows plaza areas to be protected by design changes before the structure is constructed. Accurate knowledge of the intensity and distribution of the pressures on the structure permits adequate but economical selection of window strength to meet selected maximum design winds and overall wind loads for the design of the frame for flexural control.

Modeling of the aerodynamic loading on a structure requires special consideration of flow conditions in order to guarantee similitude between model and prototype. A detailed discussion of the similarity requirements and their wind tunnel implementation can be found in References (1), (2), and (3). In general, the requirements are that the model and prototype be geometrically similar, that the approach mean velocity at the building site have a vertical profile shape similar to the full-scale flow, that the turbulence characteristics of the flows be similar, and that the Reynolds number for the model and prototype be equal.

These criteria are satisfied by constructing a scale model of the structure and its surroundings and performing the wind tests in a wind tunnel specifically designed to model atmospheric boundary-layer flows. Reynolds number similarity requires that the quantity UD/ν be similar for model and prototype. Since ν , the kinematic viscosity of air, is identical for both, Reynolds numbers cannot be made precisely equal with reasonable wind velocities. To accomplish this the air velocity in the wind tunnel would have to be as large as the model scale factor times the prototype wind velocity, a velocity which would introduce unacceptable compressibility effects. However, for sufficiently high Reynolds numbers ($>2 \times 10^4$) the pressure coefficient at any location on the structure will be essentially constant for a large range of Reynolds numbers. Typical values encountered are 10^7 - 10^8 for the full-scale and 10^5 - 10^6 for the wind-tunnel model. In this range acceptable flow similarity is achieved without precise Reynolds number equality.

1.2 The Wind Tunnel Test

The wind-engineering study is performed on a building or building group modeled at scales ranging from 1:150 to 1:400. The building model

is constructed of clear plastic fastened together with screws. The structure is modeled in detail to provide accurate flow patterns in the wind passing over the building surfaces. The building under test is often located in a surrounding where nearby buildings or terrain may provide beneficial shielding or adverse wind loading. To achieve similarity in wind effects the area surrounding the test building is also modeled. A flow visualization study is first made (smoke is used to make the air currents visible) to define overall flow patterns and identify regions where local flow features might cause difficulties in building curtain-wall design or produce pedestrian discomfort.

The test model, equipped with pressure taps (200 to 600 or more), is exposed to an appropriately modeled atmospheric wind in the wind tunnel and the fluctuating pressure at each tap measured electronically. The model, and the modeled area, are rotated 15 degrees and another set of data recorded for each pressure tap. Normally, 24 sets of data (360 degrees of turning) are taken; however, when flow visualization or recorded data indicate high pressure regions of small azimuthal extent, data is obtained in smaller azimuthal steps.

Data are recorded, analyzed and processed by an on-line computerized data-acquisition system. Pressure coefficients of several types are calculated by the computer for each reading on each piezometer tap and are printed in tabular form as computer readout. Using wind data applicable to the building site, representative wind velocities are selected for combination with measured pressures on the building model. Integration of test data with wind data results in prediction of peak local wind pressures for design of glass or cladding and may include overall forces and moments on the structure (by floor if desired) for design of

the structural frame. Pressure contours are drawn on the developed building surfaces showing the intensity and distribution of peak wind loads on the building. These results may be used to divide the building into zones where lighter or heavier cladding or glass may be desirable.

Based on the visualization (smoke) tests and on a knowledge of heavy pedestrian use areas, a dozen or more locations may be chosen at the base of the building where wind velocities can be measured to determine the relative comfort or discomfort of pedestrians in plaza areas, near building entrances, near building corners, or on sidewalks.

Usually a reference pedestrian position is also tested to determine whether the wind environment in the building area is better or worse than the environment a block or so away in an undisturbed area.

The following pages discuss in greater detail the procedures followed and the equipment and data collecting and processing methods used. In addition, the data presentation format is explained and the implications of the data are discussed.

2. EXPERIMENTAL CONFIGURATION

2.1 Wind Tunnel

Wind-engineering studies are performed in the Fluid Dynamics and Diffusion Laboratory at Colorado State University (Figure 1). Three large wind tunnels are available for wind loading studies depending on the detailed requirements of the study. The wind tunnel used for this investigation is shown in Figure 2. All tunnels have a flexible roof adjustable in height to maintain a zero pressure gradient along the test section. The mean velocity can be adjusted continuously in each tunnel to the maximum velocity available.

2.2 Model

In order to obtain an accurate assessment of local pressures using piezometer taps, models are constructed to the largest scale that does not produce significant blockage in the wind-tunnel test section. The models are constructed of 1/2 in. thick Lucite plastic and fastened together with metal screws. Significant variations in the building surface, such as mullions, are machined into the plastic surface. Piezometer taps (1/16 in. dia) are drilled normal to the exterior vertical surfaces in rows at several or more elevations between the bottom and top of the building. Similarly, taps are placed in the roof and on any sloping, protruding, or otherwise distinctive features of the building that might need investigation.

Pressure tap locations are chosen so that the entire surface of the building can be investigated for pressure loading and at the same time permit critical examination of areas where experience has shown that maximum wind effects may be expected to occur. Locations of the pressure taps for this study are shown in Figure 3. Dimensions are given both for

full-scale building (in ft) and for model (in in.). The pressure tap numbers are shown adjacent to the taps.

The pressure tests are sometimes made in two stages. In the first stage measurements are made on the initial distribution of pressure taps. If it becomes apparent from the data that the loading on the building is being influenced by some unsuspected geometry of the building or adjacent structures, additional pressure taps are installed in the critical areas. The locations of the taps are selected so that the maximum loading can be detected and the area over which this loading is acting can be defined. Any added taps are also shown in Figure 3.

A circular area 750 to 2000 ft in radius depending on model scale and characteristics of the surrounding buildings and terrain is modeled in detail. Structures within the modeled region are made from styrofoam and cut to the individual building geometries. They are mounted on the turntable in their proper locations. Significant terrain features are included as needed. The model is mounted on a turntable (Figure 2) near the downwind end of the test section. Any buildings or terrain features which do not fit on the turntable are placed on removable pieces which are placed upwind of the turntable for appropriate wind directions. A plan view of the building and its surroundings is shown in Figure 4. The turntable is calibrated to indicate azimuthal orientation to 0.1 degree.

The region upstream from the modeled area is covered with a randomized roughness constructed using various sized cubes placed on the floor of the wind tunnel. Different roughness sizes may be used for different wind directions. Spires are installed at the test-section entrance to provide a thicker boundary-layer than would otherwise be available. The

thicker boundary-layer permits a somewhat larger scale model than would otherwise be possible. The spires are approximately triangularly shaped pieces of 1/2 in. thick plywood 6 in. wide at the base and 1 in. wide at the top, extending from the floor to the top of the test section. They are placed so that the broad side intercepts the flow. A barrier approximately 8 in. high is placed on the test-section floor downstream of the spires to aid in development of the boundary-layer flow.

The distribution of the roughness cubes and the spires in the roughened area was designed to provide a boundary-layer thickness of approximately 4 ft, a velocity profile power-law exponent similar to that expected to occur in the region approaching the modeled area for each wind direction (a number of wind directions may have the same approach roughness). A photograph of the completed model in the wind tunnel is shown in Figure 5. The wind-tunnel ceiling is adjusted after placement of the model to obtain a zero pressure gradient along the test section.

3. INSTRUMENTATION AND DATA ACQUISITION

3.1 Flow Visualization

Making the air flow visible in the vicinity of the model is helpful (a) in understanding and interpreting mean and fluctuating pressures, (b) in defining zones of separated flow and reattachment and zones of vortex formation where pressure coefficients may be expected to be high and (c) in indicating areas where pedestrian discomfort may be a problem. Titanium tetrachloride smoke is released from sources on and near the model to make the flow lines visible to the eye and to make it possible to obtain motion picture records of the tests. Conclusions obtained from these smoke studies are discussed in Sections 4.1 and 5.1.

3.2 Pressures

Mean and fluctuating pressures are measured at each of the pressure taps on the model structure. Data are obtained for 24 wind directions, rotating the entire model assembly in a complete circle. Seventy-six pieces of 1/16 in. I.D. plastic tubing each 18 in. long are used to connect 76 pressure ports at a time to an 80 tap pressure switch mounted inside the model. The switch was designed and fabricated in the Fluid Dynamics and Diffusion Laboratory to minimize the attenuation of pressure fluctuations across the switch. Each of the 76 measurement ports is directed in turn by the switch to one of four pressure transducers mounted close to the switch. The four pressure input taps not used for transmitting building surface pressures are connected to a common tube leading outside the wind tunnel. This arrangement provides both a means of performing in-place calibration of the transducers and, by connecting this tube to a pitot tube mounted inside the wind tunnel, a means of automatically monitoring the tunnel speed. The switch is operated by

means of a shaft projecting through the floor of the wind tunnel. A computer-controlled stopping motor steps the switch into each of the 20 required positions. The computer keeps track of switch position but a digital readout of position is provided at the wind tunnel.

The pressure transducers used are Statham differential strain gage transducers (Model PM 283TC) with a 0.15 psid range. They were selected because of their stability and linearity in the required working range. The resonant frequency of the transducers is approximately 2,000 Hz. This is sufficiently high that transducer resonance effects on the measured pressures can be ignored. Reference pressures are obtained by connecting the reference sides of the four transducers, using plastic tubing, to the static side of a pitot tube mounted in the wind tunnel free stream above the model building. In this way the transducer measures the instantaneous difference between the local pressures on the surface of the building and the static pressure in the free stream above the model.

Each pressure transducer contains a built-in bridge similar to a Wheatstone Bridge. The bridge is monitored by a Honeywell Accudata 118 Gage Control/Amplifier unit which provides excitation to the transducer bridge and amplifies the bridge output. These instruments are characterized by a very stable excitation voltage and amplifier gain. Output from the Honeywell signal conditioners is fed to an on-line data acquisition system consisting of a Hewlett-Packard 21 MX computer, disk unit, card reader, printer, Digi-Data digital tape drive and a Preston Scientific analog-to-digital convertor. The data are processed immediately into pressure coefficient form as described in Section 4.3 and stored for printout or further analysis.

All four transducers are recorded simultaneously for 16 seconds at a 250 sample per second rate. The results of an experiment to determine the length of record required to obtain stable mean and rms (root-mean-square) pressures and to determine the overall accuracy of the pressure data acquisition system is shown in Figure 6. A typical pressure port record was integrated for a number of different time periods to obtain the data shown. Examination of a large number of pressure taps showed that the overall accuracy for a 16 second period is, in pressure coefficient form, 0.03 for mean pressures, 0.1 for peak pressures, and 0.01 for rms pressures. Pressure coefficients are defined in Section 4.3.

3.3 Velocity

Mean velocity and turbulence intensity profiles are measured upstream of the model to determine that an approach boundary-layer flow appropriate to the site has been established. Tests are made at one wind velocity in the tunnel. This velocity is well above that required to produce Reynolds number similarity between the model and the prototype as discussed in Section 1.1.

In addition, mean velocity and turbulence intensity measurements are made 5 to 7 feet (prototype) above the surface at a dozen or more locations on and near the building for 16 wind directions. The measurement locations are shown on Figure 4. The surface measurements are indicative of the wind environment to which a pedestrian at the measurement location would be subjected. The locations are chosen to determine the degree of pedestrian comfort or discomfort at the building corners where relatively severe conditions frequently are found, near building entrances and on adjacent sidewalks where pedestrian traffic is heavy, and in open plaza areas. In most studies a reference pedestrian position,

located about a block away, is also tested. These data are helpful in evaluating the degree of pedestrian comfort or discomfort in the proposed plaza area in terms of the undisturbed environment in the immediate vicinity.

Measurements are made with a single hot-wire anemometer mounted with its axis vertical. The instrumentation used is a Thermo Systems constant temperature anemometer (Model 1050) with a 0.001 in. dia platinum film sensing element 0.020 in. long. Output is read from a digital voltmeter with a time-constant circuit for mean voltage and a DISA RMS meter (Model 55035) for rms voltage.

Calibration of the hot-wire anemometer is performed using a Thermo Systems calibrator (Model 1125). The calibration data are fit to a variable exponent King's Law relationship of the form

$$E^2 = A + BU^n$$

where E is the hot-wire output voltage, U the velocity and A , B , and n are coefficients selected to fit the data. The above relationship was used to determine the mean velocity at measurement points using the measured mean voltage. The fluctuating velocity in the form U_{rms} (root-mean-square velocity) was obtained from

$$U_{\text{rms}} = \frac{2 E E_{\text{rms}}}{B n U^{n-1}}$$

where E_{rms} is the root-mean-square voltage output from the anemometer. For interpretation all turbulence measurements were divided by the mean velocity outside the boundary-layer U_{∞} .

4. RESULTS

4.1 Flow Visualization

A film is included as part of this report showing the characteristics of flow about the structure using smoke to make the flow visible. A listing of the contents of the film is shown in Table 1. Several features can be noted from the visualization. As with all large structures, wind approaching the building is deflected down to the plaza level, up over the structure and around the sides. A description of the smoke test results emphasizing flow patterns of concern relative to possible high-wind load areas and pedestrian comfort is given in Section 5.1.

4.2 Velocity

Velocity and turbulence profiles are shown in Figures 7a and 7b. These profiles were taken upstream from the model and are characteristic of the boundary-layer approaching the model. As shown in Figure 7a, the boundary-layer thickness, δ , was 50 in. The corresponding prototype value of δ for this study is shown in Figure 7a. This value was established as a reasonable height for this study. The mean velocity profile has the form

$$\frac{U}{U_{\infty}} = \left(\frac{z}{\delta}\right)^n .$$

The exponent n for the approach flow established for this study is shown in Figure 7a.

The profile of longitudinal turbulence intensity is shown in Figure 7b. The turbulence intensities are appropriate for the approach mean velocity profile selected. For the purpose of this report, turbulence intensity is defined as the root-mean-square about the mean of the longitudinal velocity fluctuations divided by the reference mean velocity

U_{∞} at the outer edge of the boundary layer,

$$Tu = \frac{U_{rms}}{U_{\infty}} .$$

A 'peak' velocity representing roughly the largest effective gust velocity was calculated,

$$U_{pk} = \frac{U + 3U_{rms}}{U_{\infty}} .$$

Mean velocity U/U_{∞} , turbulence intensity U_{rms}/U_{∞} , and largest effective gust at the pedestrian measuring positions shown in Figure 4 are listed in Table 2 for 16 wind directions and are plotted in polar form in Figures 8a, 8b, etc. Measurements were taken 5 to 7 ft above the ground surface. A site map is superimposed on the polar plots to aid in visualization of the effects of the nearby structures on the velocity and turbulence magnitudes. An analysis of these wind data is given in Section 5.2.

To enable a quantitative assessment of the wind environment, the wind-tunnel data were combined with wind frequency and direction information obtained at the local airport. Table 3 shows wind frequency by direction and magnitude obtained from summaries published by the National Weather Service. These data, usually obtained at an elevation of about 30 to 40 ft, were converted to velocities at the reference velocity height for the wind tunnel measurements and combined with the wind tunnel data to obtain cumulative probability distributions (percent time a given velocity is exceeded) for wind velocity at each measuring location. The percentage times were summed by wind direction to obtain a percent time exceeded at each measuring position independent of wind direction (but accounting for the fact that the wind blows from different directions with varying frequency). These results are plotted in Figure 9a, 9b, etc.

Interpretation of Figure 9 is aided by a description of the effects of wind of various magnitudes on people. The earliest quantitative description of wind effects was established by Sir Francis Beaufort in 1806 for use at sea and is still in use today. Several recent investigators have added to the knowledge of wind effects on pedestrians. These investigations along with suggested criteria for acceptance have been summarized by Penwarden and Wise (4). The Beaufort scale, based on mean velocity only, is reproduced as Table 4 including qualitative descriptions of wind effects. Table 4 suggests that mean wind speeds below 12 mph are of minor concern and that mean speeds above 24 mph are definitely inconvenient. Included in Section 5.2 is an analysis of the percent of time that the 12 and 24 mph magnitude are exceeded by mean winds and implications for pedestrian comfort.

The peak gust values require a somewhat different interpretation. The peak gust curves shown in Figure 9 are the percent of time during which a short gust of the stated magnitude could occur (say less than one of these gusts per hour). Evidence suggests that gusts greater than about 35 mph in magnitude can be a major impediment to pedestrians, particularly the elderly. Most measuring locations experience winds in which gusts of 35 mph or higher occur much less frequently than the 24 mph mean winds. Implications of these data are presented in Section 5.2.

Because some pedestrian wind measuring positions are purposely chosen at sites where the smoke tests showed large velocities of small spacial extent, the general wind environment about the structure may be less severe than one might infer from a strict analysis of Table 2 and Figure 9.

4.3 Pressures

For each of the pressure taps examined at each wind direction, the data record is analyzed to obtain four separate pressure coefficients.

The first is the mean pressure coefficient

$$C_{P_{\text{mean}}} = \frac{(p-p_{\infty})_{\text{mean}}}{0.5 \rho U_{\infty}^2}$$

where the symbols are as defined in the List of Symbols. It represents the mean of the instantaneous pressure difference between the building pressure tap and the static pressure in the wind tunnel above the building model, nondimensionalized by the dynamic pressure

$$0.5 \rho U_{\infty}^2$$

at the reference velocity position. This relationship produces a dimensionless coefficient which indicates that the mean pressure difference between building and ambient wind at a given point on the structure is some fraction less or some fraction greater than the undisturbed wind dynamic pressure near the upper edge of the boundary layer. Using the measured coefficient, prototype mean pressure values for any wind velocity may then be calculated.

The magnitude of the fluctuating pressure is obtained by the rms pressure coefficient

$$C_{P_{\text{rms}}} = \frac{\left((p-p_{\infty}) - (p-p_{\infty})_{\text{mean}} \right)_{\text{rms}}}{0.5 \rho U_{\infty}^2}$$

in which the numerator is the root-mean-square of the instantaneous pressure difference about the mean.

If the pressure fluctuations followed a Gaussian probability distribution, no additional data would be required to predict the

frequency with which any given pressure level would be observed. However, the pressure fluctuations do not follow a Gaussian probability distribution so that additional information is required to show the extreme values of pressure expected. The peak maximum and peak minimum pressure coefficients are used to determine these values:

$$C_{p_{\max}} = \frac{(p-p_{\infty})_{\max}}{0.5 \rho U_{\infty}^2}$$

$$C_{p_{\min}} = \frac{(p-p_{\infty})_{\min}}{0.5 \rho U_{\infty}^2}$$

The values of $p-p_{\infty}$ which were digitized at 250 samples per second for 16 seconds, representing about one hour of time in the full scale, are examined individually by the computer to obtain the most positive and most negative values during the 16 second period. These are converted to $C_{p_{\max}}$ and $C_{p_{\min}}$ by nondimensionalizing with the free stream dynamic pressure.

The four pressure coefficients are calculated by the on-line data acquisition system computer and tabulated along with the approach wind azimuth in degrees from true north. The list of coefficients is included as Appendix A. The pressure tap code numbers used in the appendix are explained in Figure 3.

To determine the largest peak loads acting at any point on the structure for cladding design purposes, the pressure coefficients for all wind directions were searched to obtain, at each pressure tap, the largest absolute value of peak pressure coefficient. Table 6 provides these pressure coefficients and associated wind directions. Included in

Section 5.3 is an analysis of the coefficients of Table 6 including the maximum values obtained and where they occurred on the building.

The pressure coefficients of Table 6 can be converted to full-scale loads by multiplication by a suitable reference pressure selected for the field site. This reference pressure is represented in the equations for pressure coefficients by the $0.5 \rho U_{\infty}^2$ denominator. This value is the dynamic pressure associated with an hourly mean wind at the reference velocity measurement position at the edge of the boundary layer. In general, the method of arriving at a design reference pressure for a particular site involves selection of a design wind velocity, translation of the velocity to an hourly mean wind at the reference velocity location and conversion to a reference pressure. Selection of the design velocity can be made from statistical analysis of extreme wind data or selected from wind maps contained in the proposed wind loading code ANSI A58.1 of the American National Standards Institute (5). The calculation of reference pressure for this study is shown in Table 5. The factor used in Table 5 to reduce gust winds to hourly mean winds is given in reference (6).

The reference pressure associated with the design hourly mean velocity at the reference velocity location can be used directly with the peak-pressure coefficients to obtain peak local design wind loads for cladding design. For glass design pressures, a glass load factor is used to account for the different duration of measured peak pressures and the one minute loading used in glass design charts. Recent research (6) indicates that the period of application of the peak pressures reported herein is about 5-10 seconds or less. If a glass design is based on these peak values, then a glass strength associated with this

duration load is indicated. If the glass design is based on some alternate load duration--say one minute--then some reduction in peak loads should be made. An estimate of a load reduction factor can be obtained from an empirical relation of glass strength as a function of load duration (8). A glass load factor of 0.73 on the reference pressure was used to convert the short 5-10 second pressure peaks to one minute loads typically cited in glass selection charts.

Local, instantaneous peak loads on the full-scale building suitable for cladding design were computed by multiplying the reference pressure of Table 5 by the peak coefficients of Table 6. Loadings appropriate for glass design were computed by multiplying the reference pressure by the peak coefficients of Table 6 with application of the 0.73 load factor. Table 6 shows both of these results. The maximum psf load given at each tap location is the absolute value of the maximum value found in the tests, irrespective of its algebraic sign. For ease in visualizing the loads on the structure, contours of equal peak pressures for glass design shown in Table 6 have been plotted on developed elevation views of the structure, Figure 10. Loads appropriate for design of mullions or other cladding elements can be obtained by using the loads of Table 6 or multiplying the loads of Figure 10 by 1.37.

4.4 Force and Moment Coefficients

Force coefficients in the horizontal X and Y directions and moment coefficients about the X, Y and Z axes with the origin at ground level at the base of the building with Z axis vertical may be computed for the 24 wind directions tested by integration of mean pressures on the building. Overall forces and moments acting on the full-scale building due to wind loading may be obtained from use of these coefficients which is useful in designing the structural framing of the proposed building.

Force and moment coefficients were computed using the equations shown below.

$$CF_X = \frac{F_X}{A_R 0.5\rho U_\infty^2}$$

$$CF_Y = \frac{F_Y}{A_R 0.5\rho U_\infty^2}$$

$$CM_X = \frac{M_X}{A_R H_R 0.5\rho U_\infty^2}$$

$$CM_Y = \frac{M_Y}{A_R H_R 0.5\rho U_\infty^2}$$

$$CM_Z = \frac{M_Z}{A_R H_R 0.5\rho U_\infty^2}$$

Terms and symbols used in the equations are defined in the List of Symbols and the axes are defined for the building in Figure 3. Force coefficients CF_X and CF_Y were computed for the horizontal forces acting along the X and Y axes, and moment coefficients CM_X , CM_Y and CM_Z were computed for moments M_X , M_Y and M_Z acting about the X, Y and Z axes. A_R and H_R represent a constant reference area and reference length for nondimensionalization of the forces and moments. Values of A_R and H_R are given in Table 7. The signs on the moments are determined by application of the right-hand rule. The force and

moment coefficients were computed using the mean pressure coefficient at each pressure tap. The resulting force and moment coefficients are shown in Table 7 for the 24 wind directions tested in the wind tunnel. Data are presented for the building as a whole and by floor if requested.

The total forces and moments acting on the building for each wind direction may be computed by multiplying the above coefficients by the reference pressure of Table 5 and a gust load factor selected for an appropriate wind gust duration. The gust load factor, shown in Table 5, was selected to increase the loads from an hourly mean load to that of a gust whose duration would be sufficient for its effect to be fully felt by the structure. Forces and moments calculated by application of the reference pressure and load factor are shown in Table 7. A table of gust load factors for various gust durations is incorporated in Table 5 so that the data of Table 7 may be adjusted to a different load duration if desired.

5. DISCUSSION

5.1 Flow Visualization

Flow patterns about the Main Place Hotel showed that flow separation characteristic of high negative pressures occurred on the upper portions of the two narrow sides facing east and south (sides 1 and 7 on Figure 3). The addition of the two proposed buildings on blocks to the south and southeast (Figure 4b) appeared to increase the flow velocity near side 1 for critical wind directions which might tend to increase magnitudes of negative pressures.

Flow visualization in pedestrian areas showed two areas of concern. Velocities on the roof near locations 17 and 18 showed high velocities for northerly winds. The wind in the region of pedestrian locations 10 and 11 (Figure 4b) appeared high for northwesterly through northeasterly winds, particularly for the configuration A without future buildings included. Winds in the street level plaza area were generally moderate.

5.2 Pedestrian Winds

As shown in Figure 4b, data was obtained at 18 pedestrian locations including one for reference purposes (location 1) and two on rooftop locations (17, 18). Table 2 and Figure 8 show that the largest mean velocities measured occurred at locations 17 and 18 with mean velocities of 85 and 74 percent of U_{∞} respectively for a north wind. The reference location 1 showed a maximum mean velocity of 61 percent of U_{∞} , again for a north wind.

The largest value of fluctuating velocity, $U_{\text{rms}}/U_{\infty}$, was found at location 18 with a U_{rms} value of 30 percent of U_{∞} .

Locations 17 and 18 showed U_{rms} values above 20 percent for 5 or 6 of the wind directions measured indicating a gusty environment. The largest values of peak gust were 148 percent of U_{∞} measured at locations 17 and 18 for a north wind. For comparison, reference location 1 had a largest U_{rms} value of 20 percent at U_{rms} and a peak gust of 116 percent of U_{∞} .

Velocity data integrated with local wind data is shown in Figure 9. Based on that data, mean winds will be above 12 mph, the level where wind effects become significant, for about 12-13 percent of the time at locations 17 and 18, 11 percent for location 6 and 10 percent for reference location 10. Other locations showed lower values. Locations 17 and 18 should experience mean winds above 24 mph about 0.7 to 0.8 percent of the time with other locations expecting mean winds of this magnitude less than 0.4 percent of the time.

The largest percentage of time when peak gusts are likely to be greater than 24 mph occurred at locations 17 and 18 with about 20 percent, a rather high percentage. Reference location 1 showed a value of 10 percent. The largest percentage of time when peak gusts are likely to be above 35 mph is 3 to 5 percent of the time.

The velocity data at locations 17 and 18 were obtained with the rooftop clear of any fences, plantings or other obstructions to wind flow. In this condition, that rooftop area would not be a pleasant environment for people for a significant percentage of the time. If the rooftop area is to be used, the roof area should be broken up with plantings or baffles to reduce wind velocities.

Predominant wind direction on the rooftop area are from the north, south and east (wind flowing down the west face and out onto the roof). Other pedestrian areas about the structure appear to be no more windy than the reference location 1 and will not likely need remedial action.

5.3 Pressures

Table 6 shows the largest pressure coefficients and loads measured on the building. The largest pressure coefficients measured were 3.47 and 3.63 for configurations A (without adjacent buildings) and B (with adjacent buildings) respectively at tap 555 on the northwest corner of the roof for wind direction 300. The instantaneous psf loads represented by these coefficients are 94 and 98 psf using the reference pressure of Table 5 corresponding to a 50 year recurrence wind.

The largest pressure coefficients measured on the sides of the building were near 2.9 for both configurations A and B at tap 21 for wind direction 30. This corresponds to a mullion load of 78 psf and a one minute glass load of 58 psf. Most peak pressure coefficients were between 1.0 and 2.0 with relatively few coefficients above 2.0.

REFERENCES

1. Cermak, J. E., "Laboratory Simulation of the Atmospheric Boundary Layer," AIAA Jl., Vol. 9, September 1971.
2. Cermak, J. E., "Applications of Fluid Mechanics to Wind Engineering," A Freeman Scholar Lecture, ASME Jl. of Fluids Engineering, Vol. 97, No. 1, March 1975.
3. Cermak, J. E., "Aerodynamics of Buildings," Annual Review of Fluid Mechanics, Vol. 8, 1976, pp. 75-106.
4. Penwarden, A. D., and Wise, A. F. E., "Wind Environment Around Buildings," Building Research Establishment Report, HMSO, 1975.
5. American National Standards Institute, "American National Standard Building Code Requirements for Minimum Design Loads in Buildings and Other Structures," ANSI Standard A58.1, 1972.
6. Vellozzi, J., and Cohen, C., "Gust Response Factors," Jl. Structural Div., ASCE, Proc. Paper No. 5980, Vol. 94, No. ST6, 1968.
7. Peterka, J. A., and Cermak, J. E., "Peak-Pressure Duration in Separated Regions on a Structure," U.S.-Japan Research Seminar on Wind Effects on Structures, Kyoto, Japan, 9-13 September 1974; Report CEP74-75JAP-JEC8, Fluid Mechanics Program, Colorado State University, September 1974.
8. Architectural Glass Products, Pittsburgh Plate Glass Industries, January 1975.

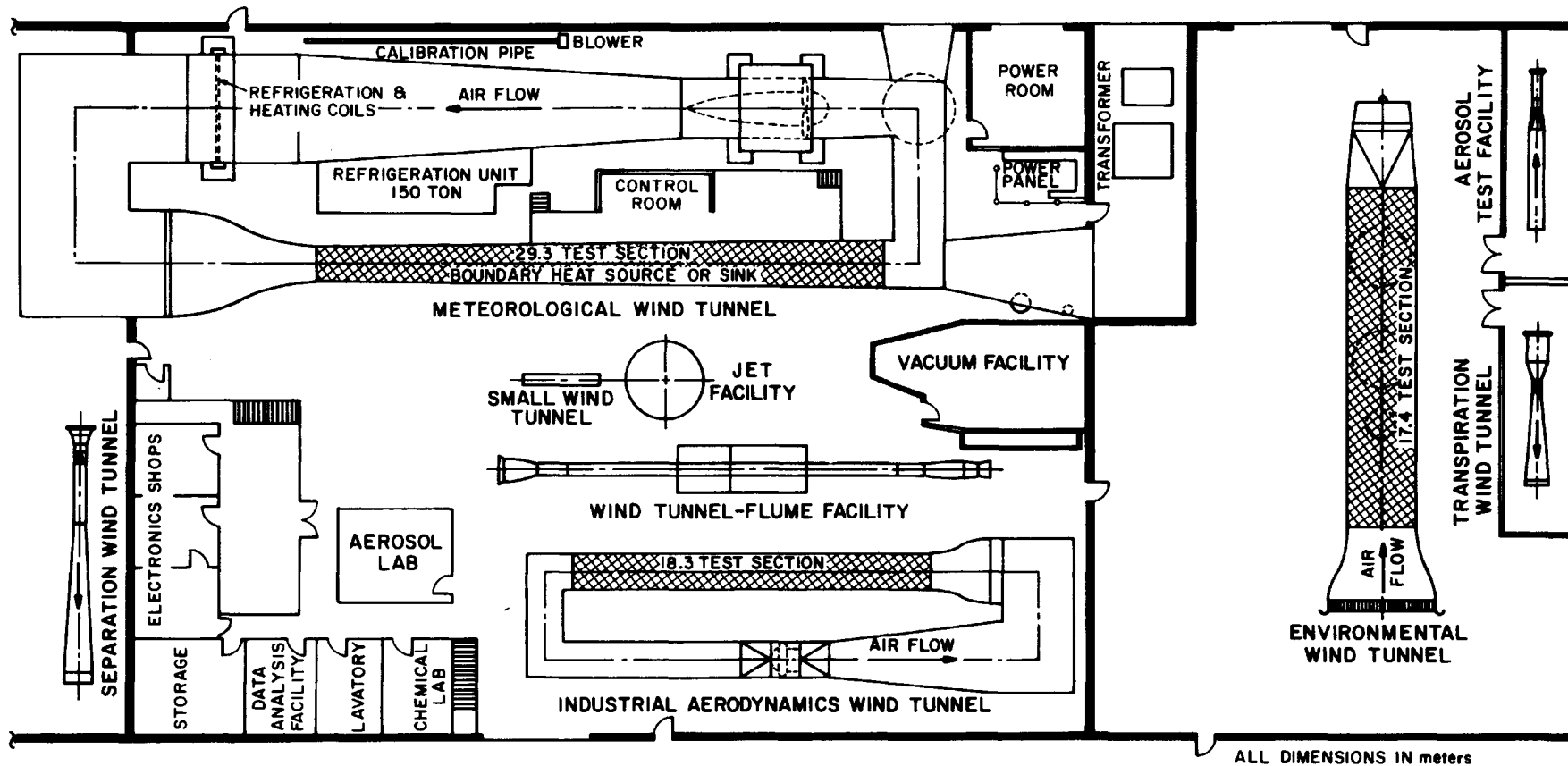
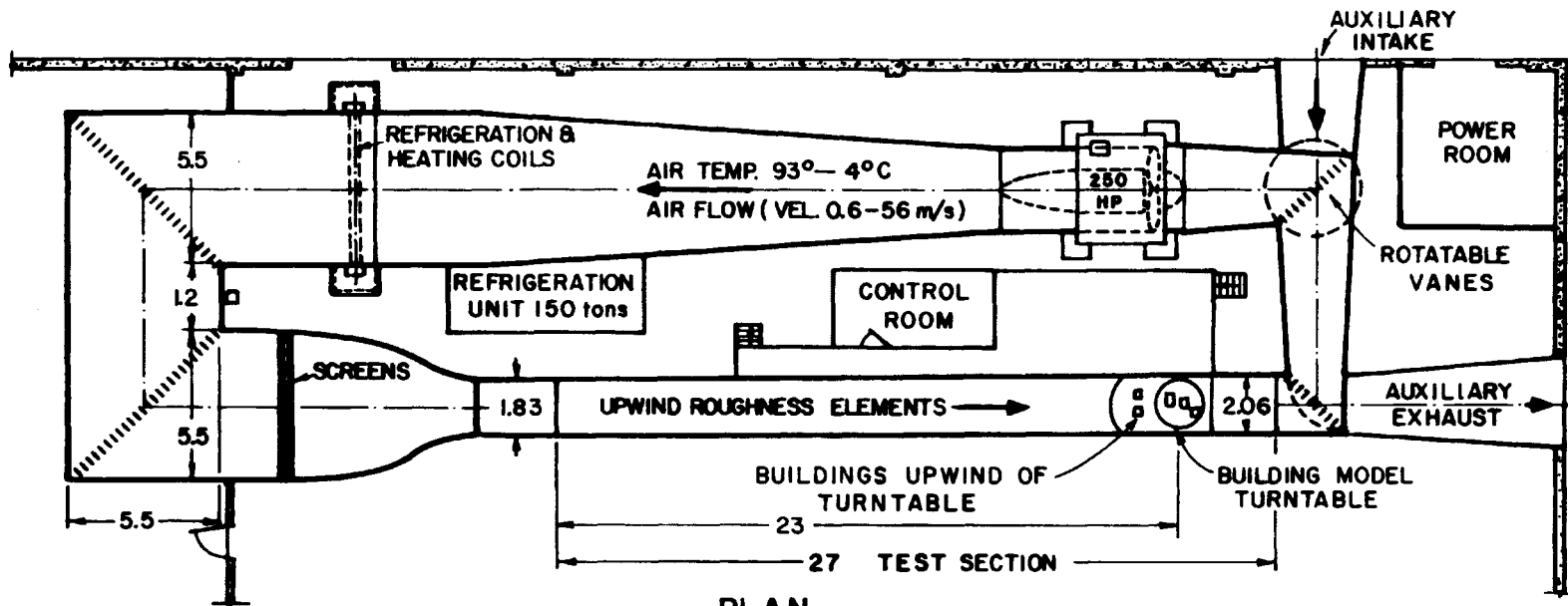
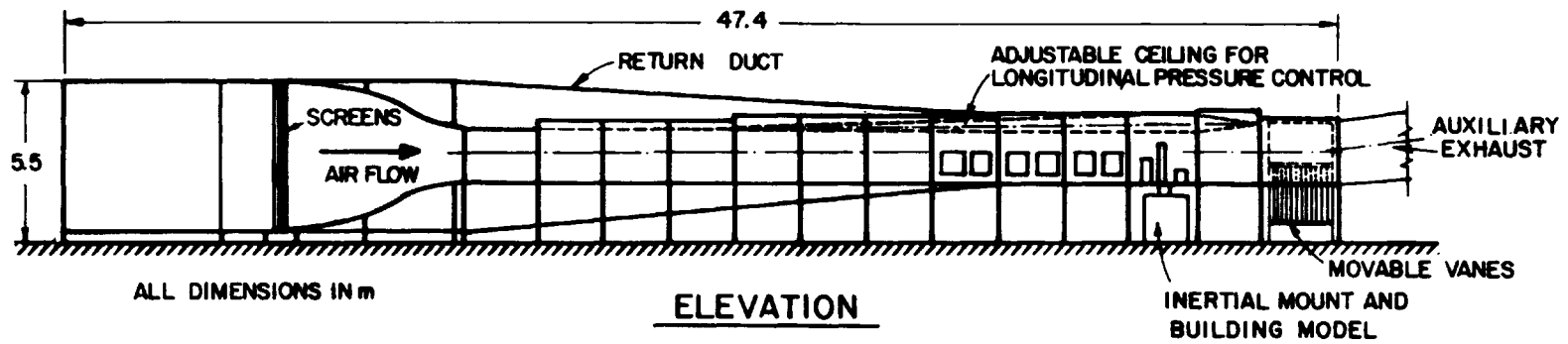


FIGURE 1 - FLUID DYNAMICS AND DIFFUSION LABORATORY
 COLORADO STATE UNIVERSITY



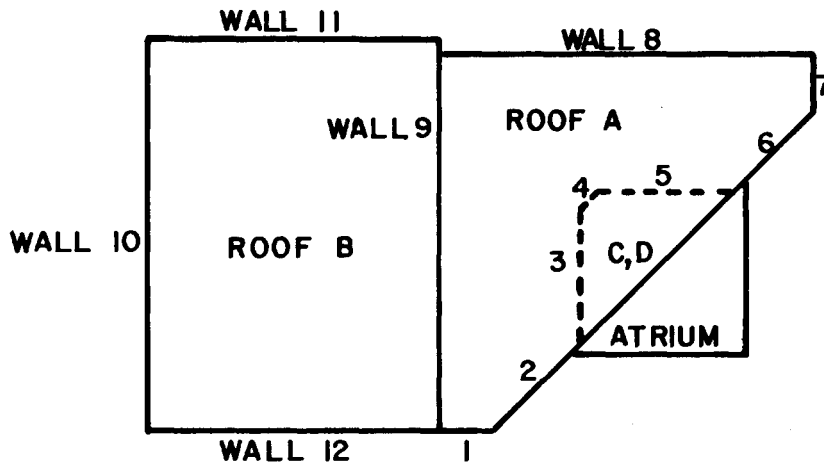
PLAN



ELEVATION

METEOROLOGICAL WIND TUNNEL

Figure 2 - Wind Tunnel Configuration



MODEL SCALE 1:300
TOTAL TAPS 498
DIMENSIONS IN FULL SCALE FT.
AND MODEL INCHES.

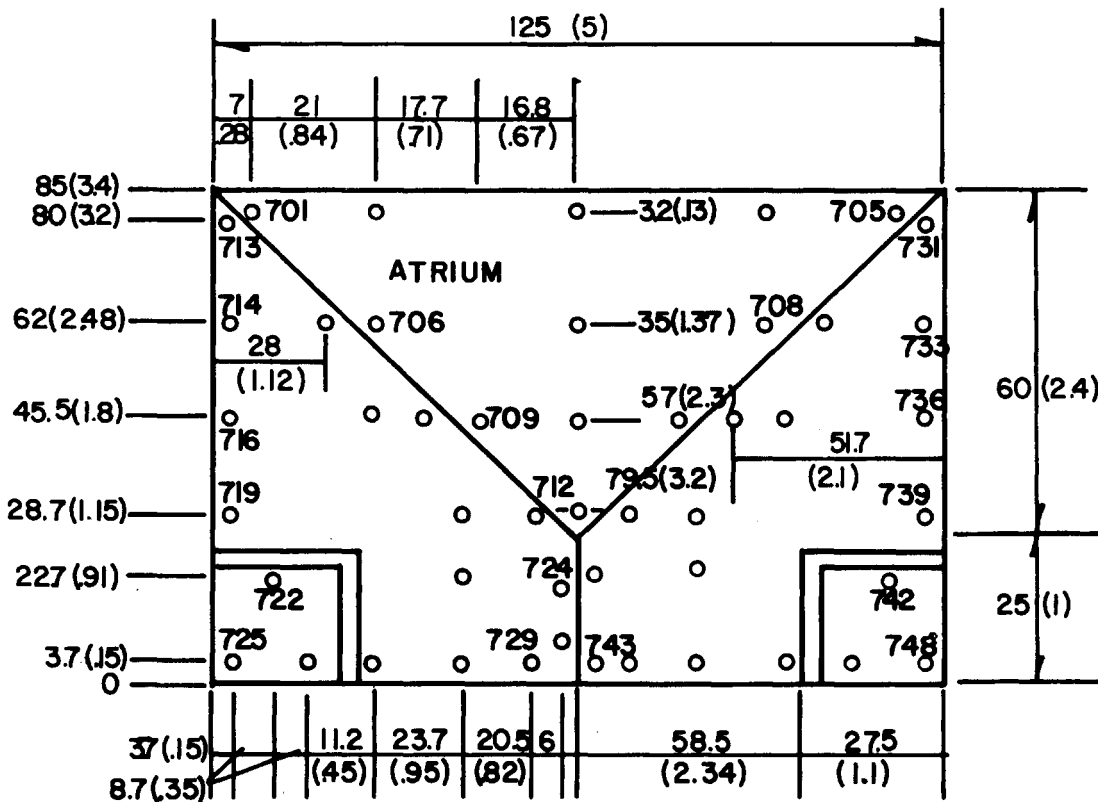


FIGURE 3a. PRESSURE TAP LOCATIONS

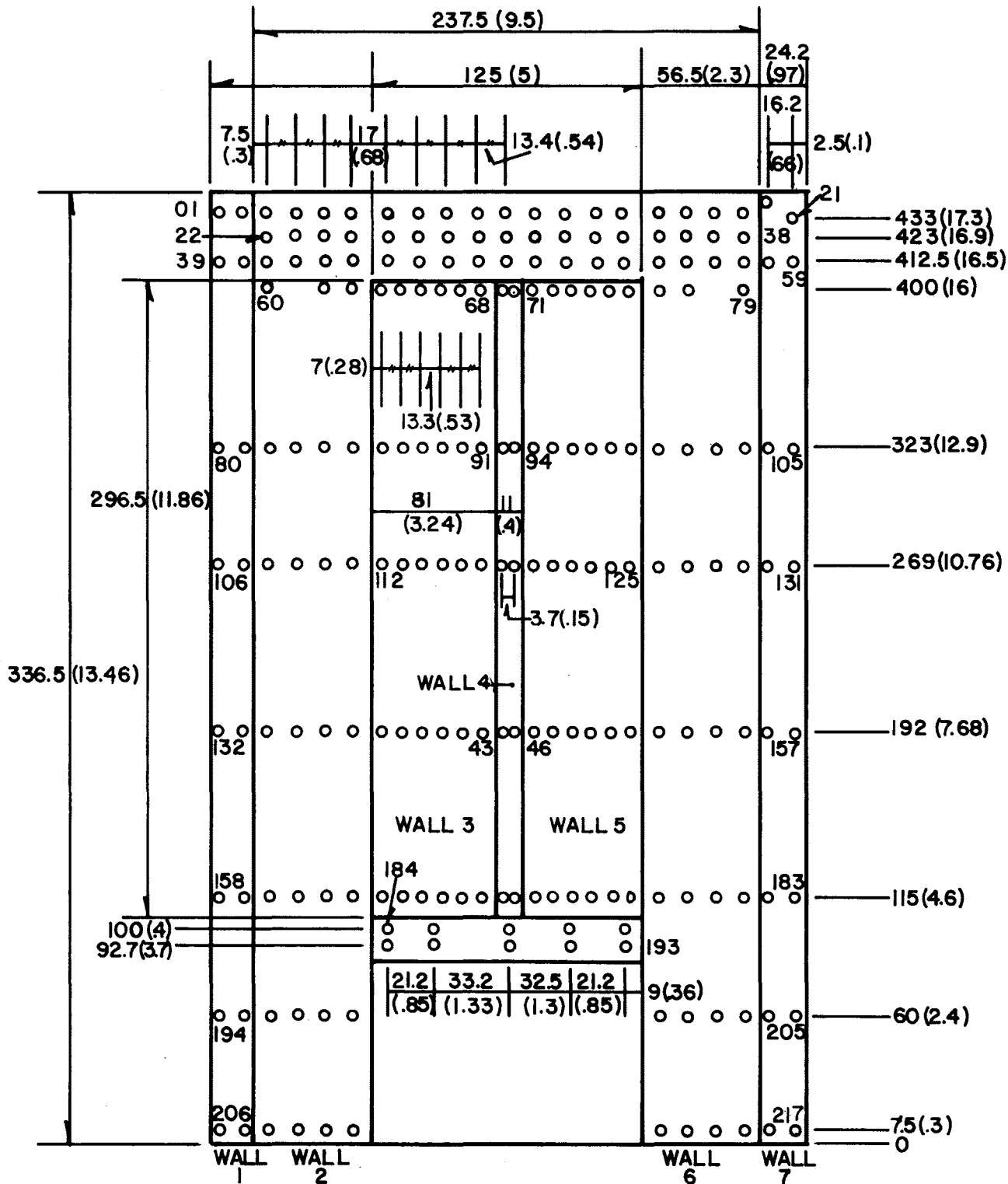


FIGURE 3b. PRESSURE TAP LOCATIONS

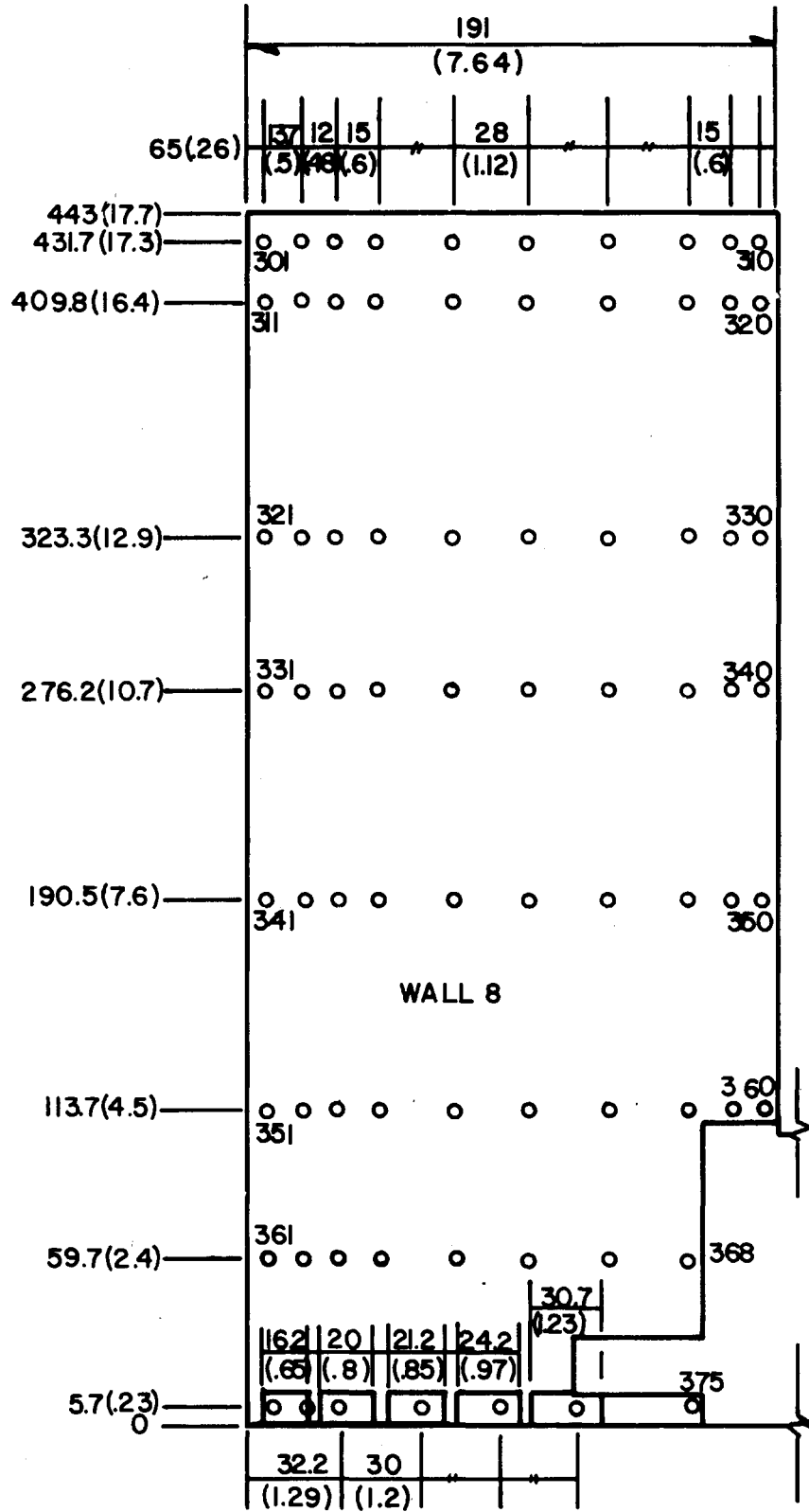


FIGURE 3c. PRESSURE TAP LOCATIONS

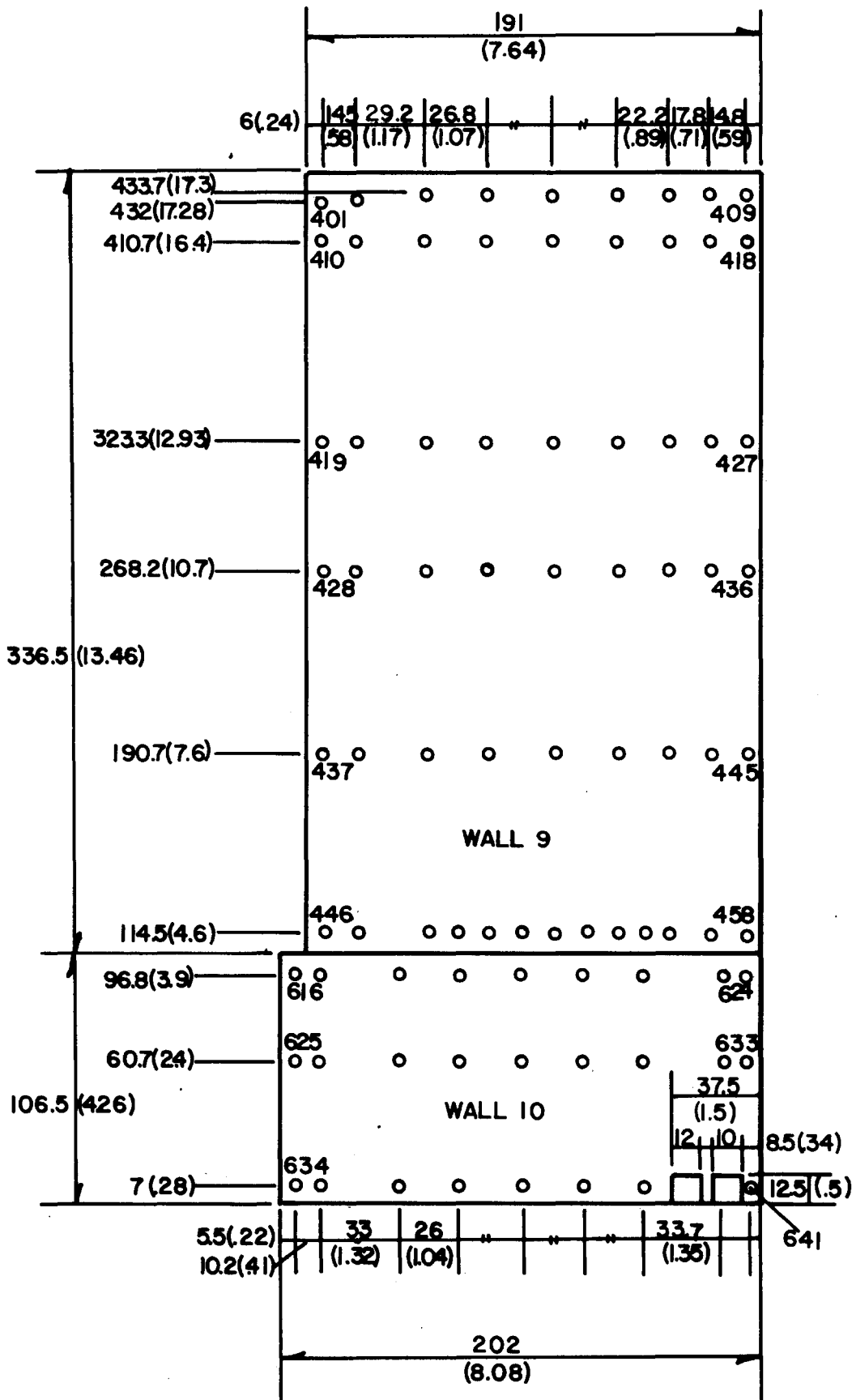


FIGURE 3d. PRESSURE TAP LOCATIONS

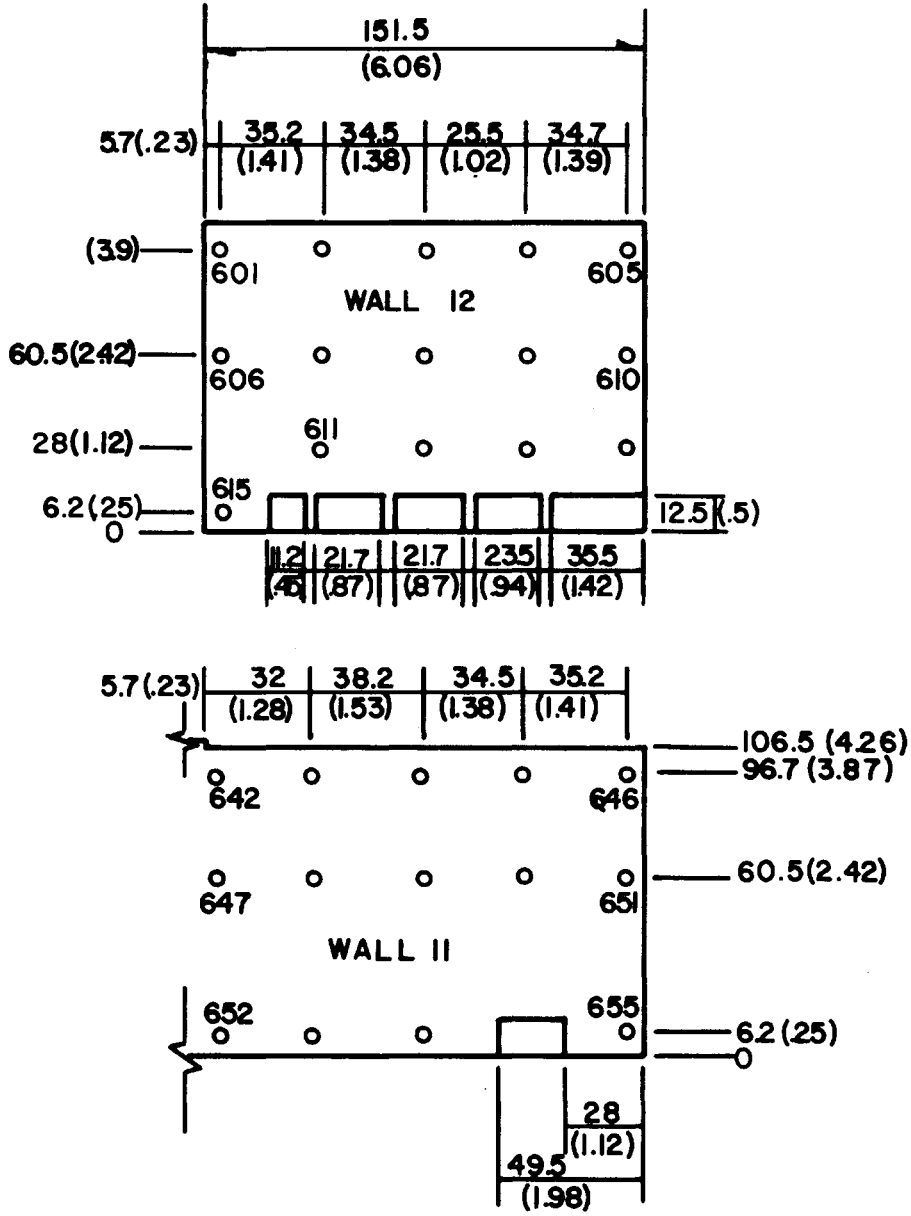


FIGURE 3a. PRESSURE TAP LOCATIONS

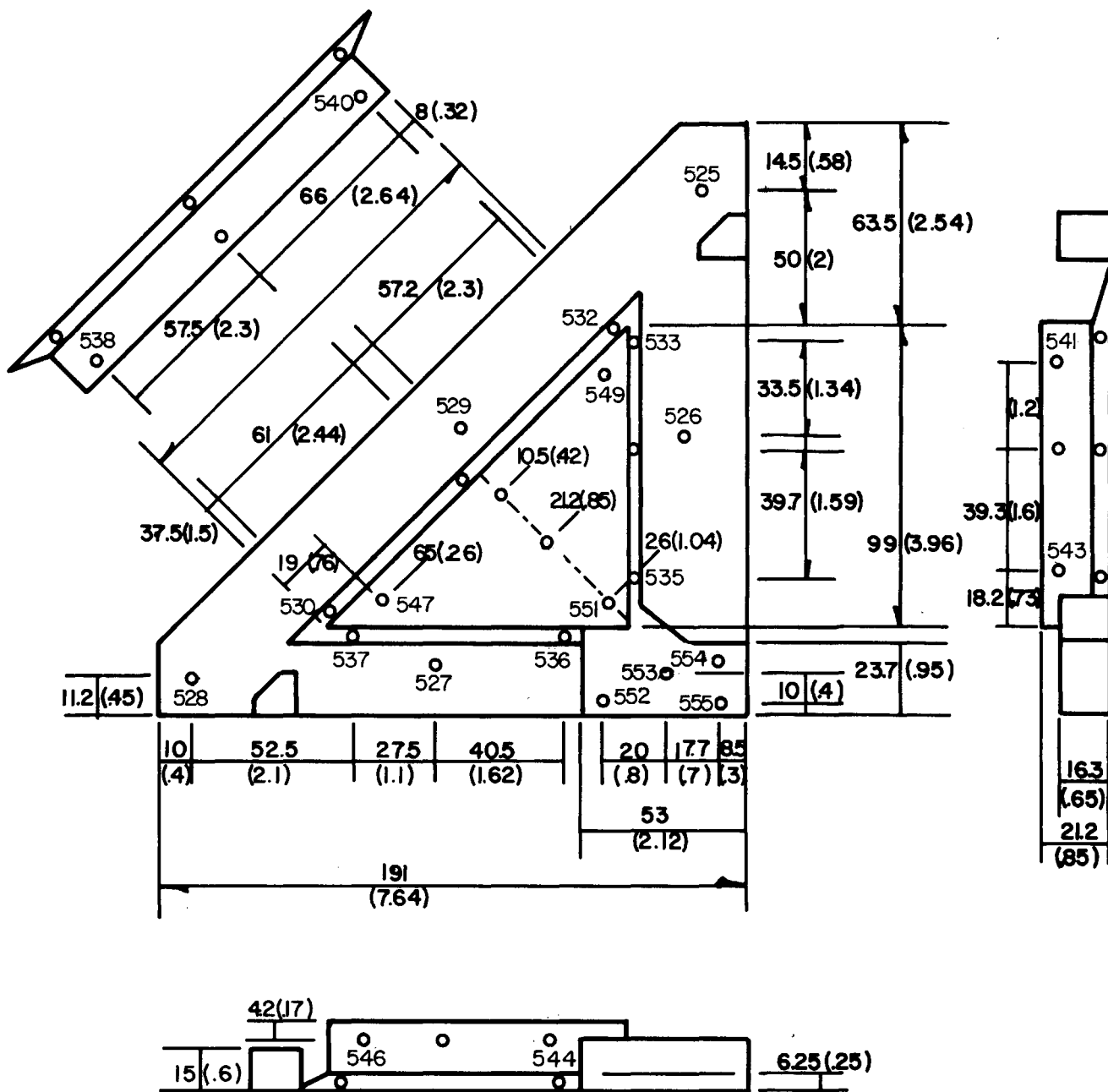


FIGURE 3f. PRESSURE TAP LOCATIONS

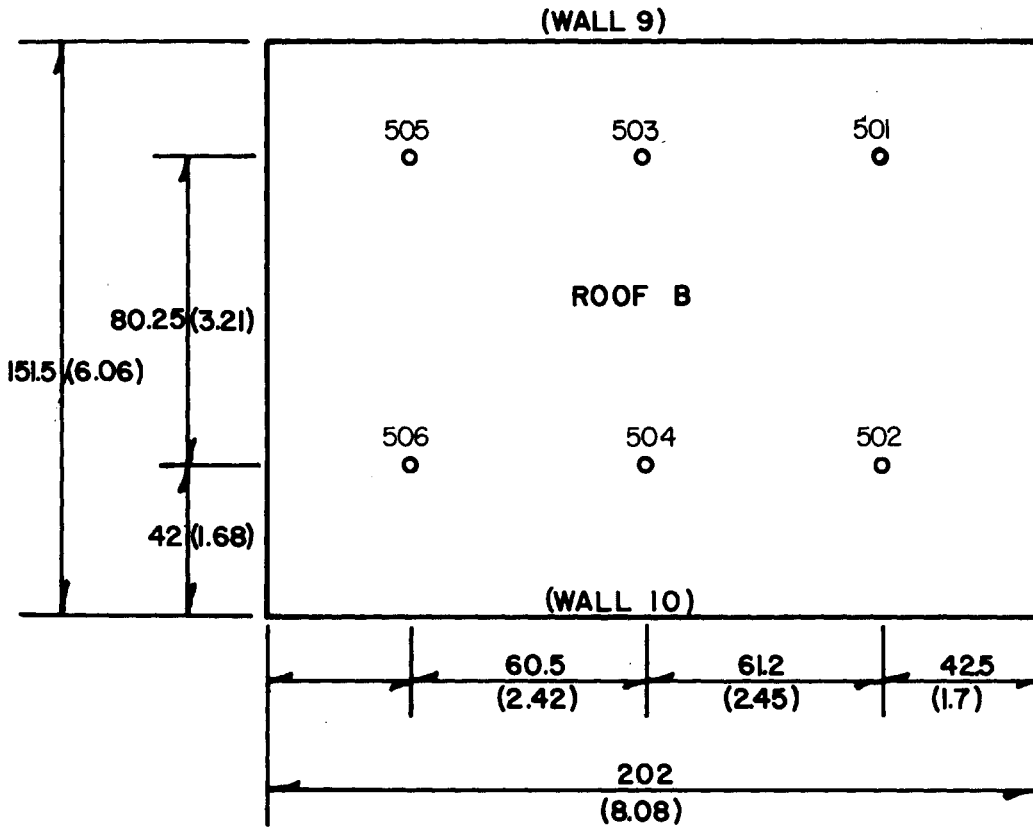
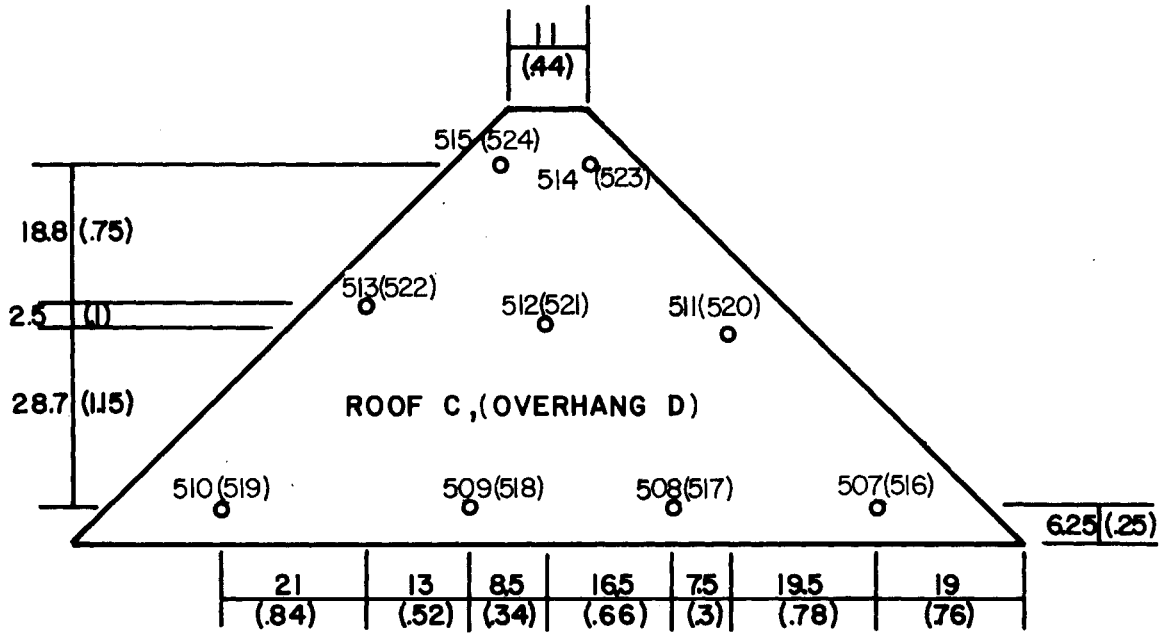


FIGURE 3g. PRESSURE TAP LOCATIONS

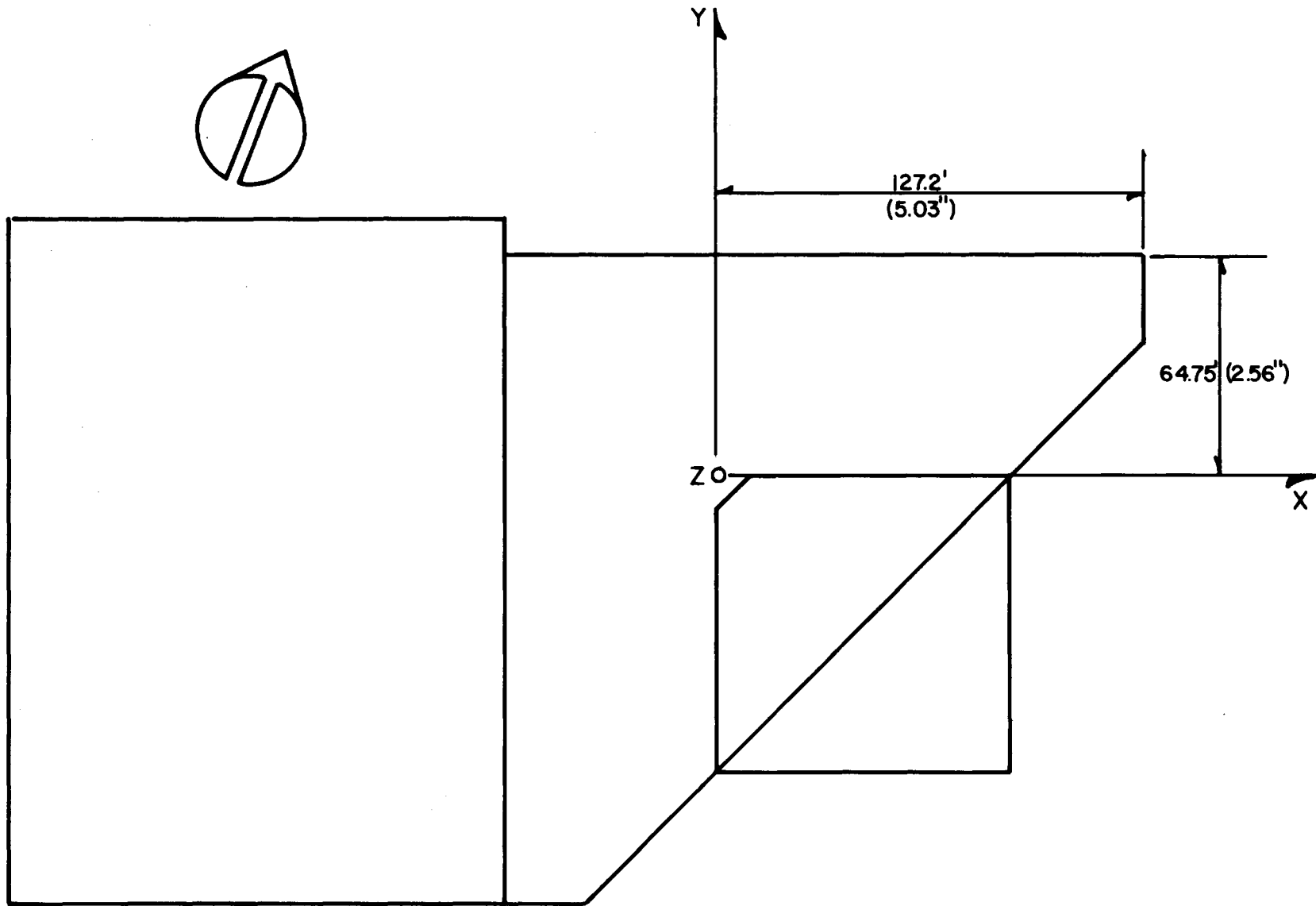


FIGURE 3h. FORCE AND MOMENT COORDINATE SYSTEM

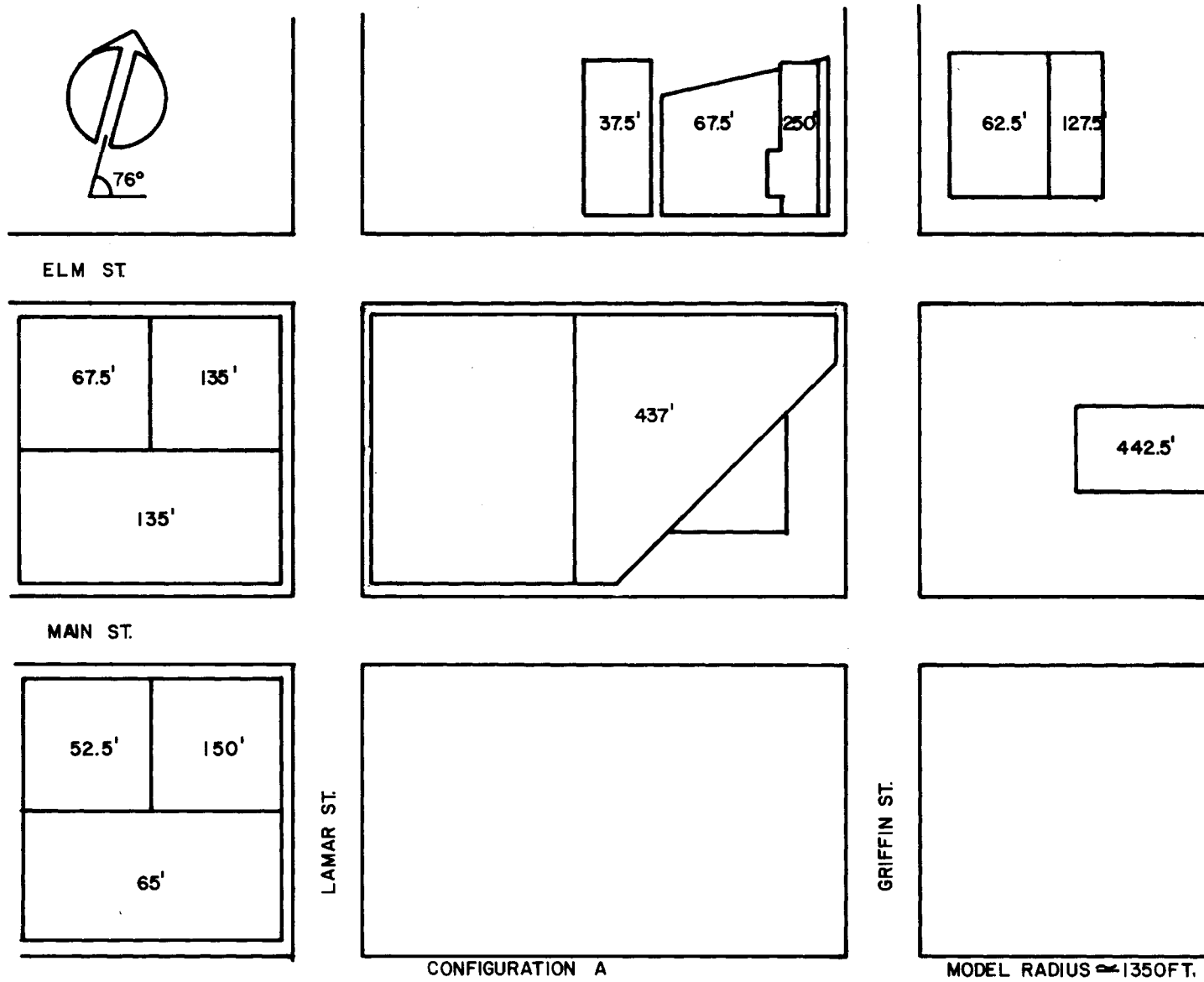


FIGURE 4a. BUILDING LOCATION AND PEDESTRIAN WIND VELOCITY MEASURING POSITIONS

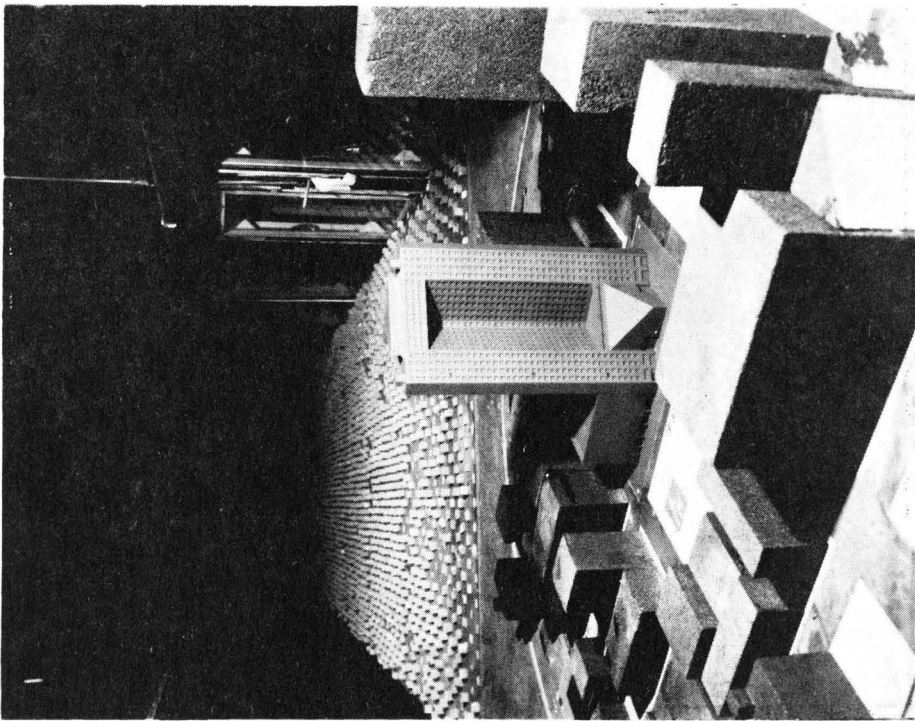
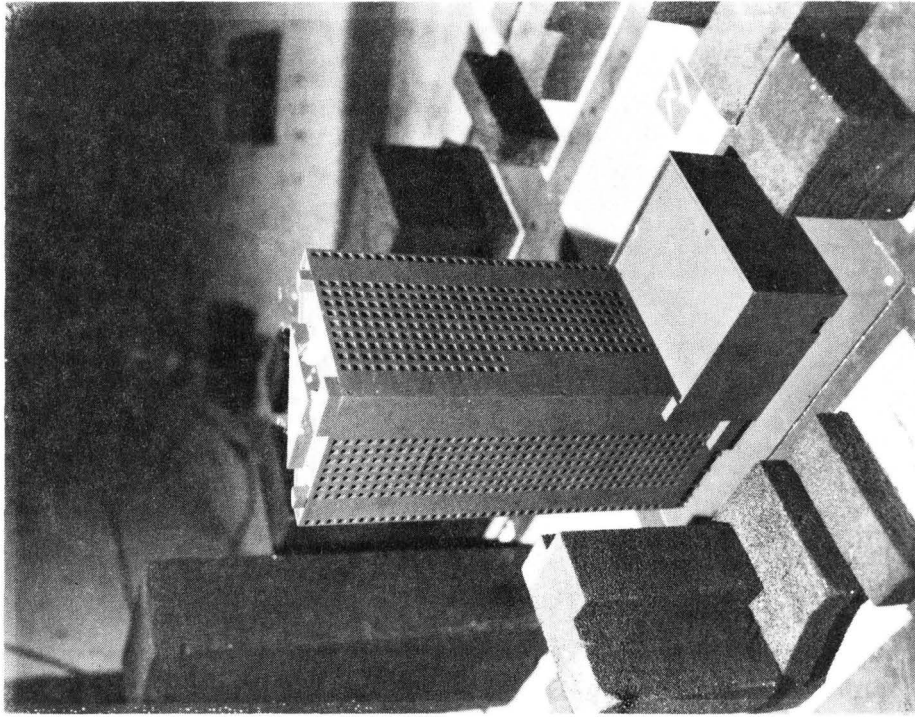


Figure 5. Completed Model in Wind Tunnel

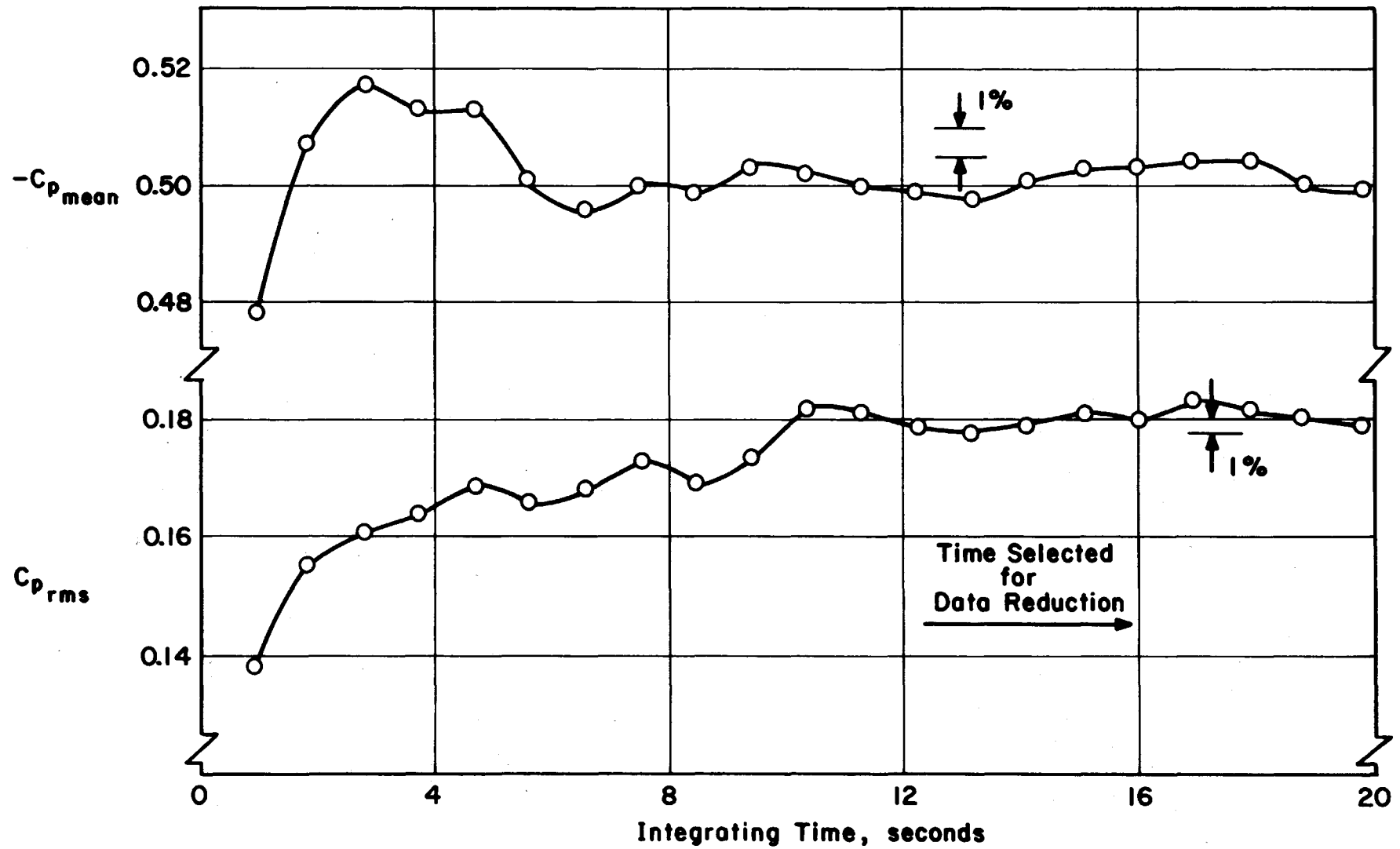


Figure 6 - Data Sampling Time Verification

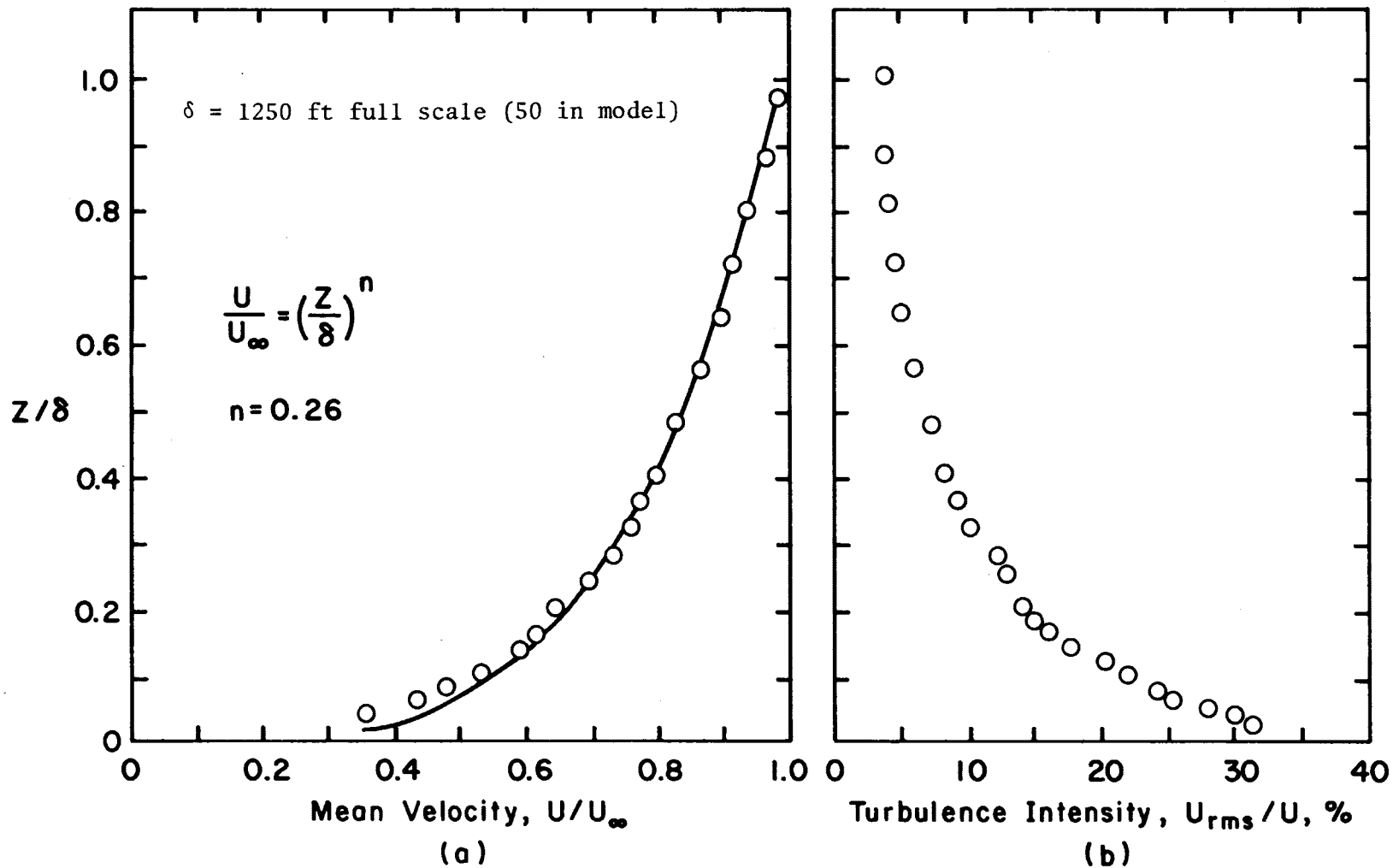


Figure 7 - Velocity and Turbulence Profiles Approaching the Model

40

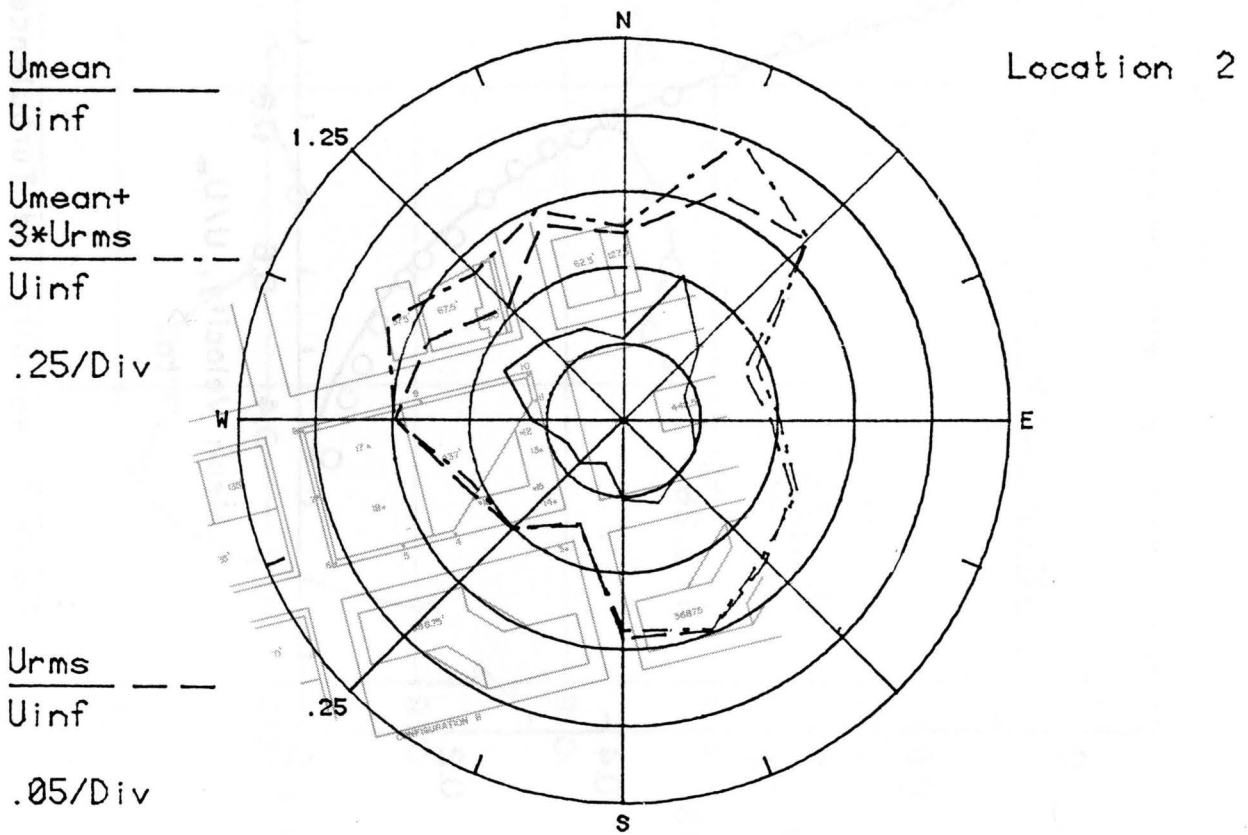
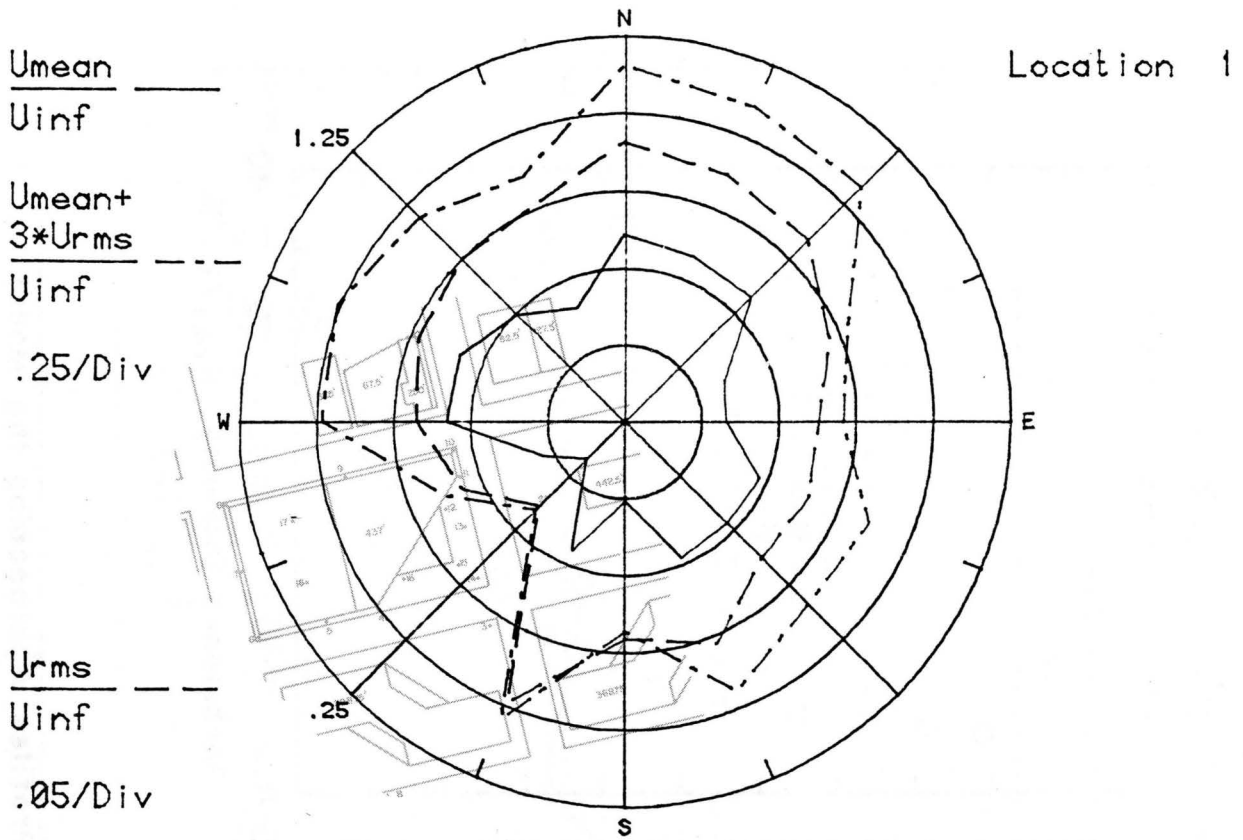


Figure 8a. Mean Velocities and Turbulence Intensities at Pedestrian Locations 1 and 2

$\frac{U_{mean}}{U_{inf}}$ _____

U_{inf}

$\frac{U_{mean} + 3*U_{rms}}{U_{inf}}$ - - - - -

U_{inf}

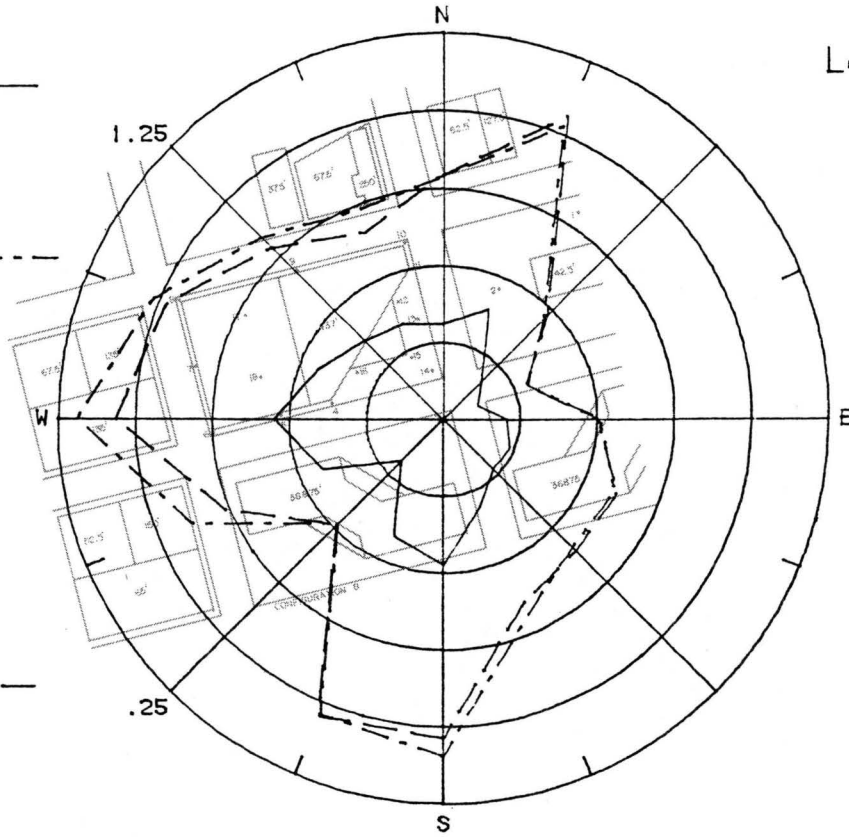
.25/Div

$\frac{U_{rms}}{U_{inf}}$ - - - - -

U_{inf}

.05/Div

Location 3



$\frac{U_{mean}}{U_{inf}}$ _____

U_{inf}

$\frac{U_{mean} + 3*U_{rms}}{U_{inf}}$ - - - - -

U_{inf}

.25/Div

$\frac{U_{rms}}{U_{inf}}$ - - - - -

U_{inf}

.05/Div

Location 4

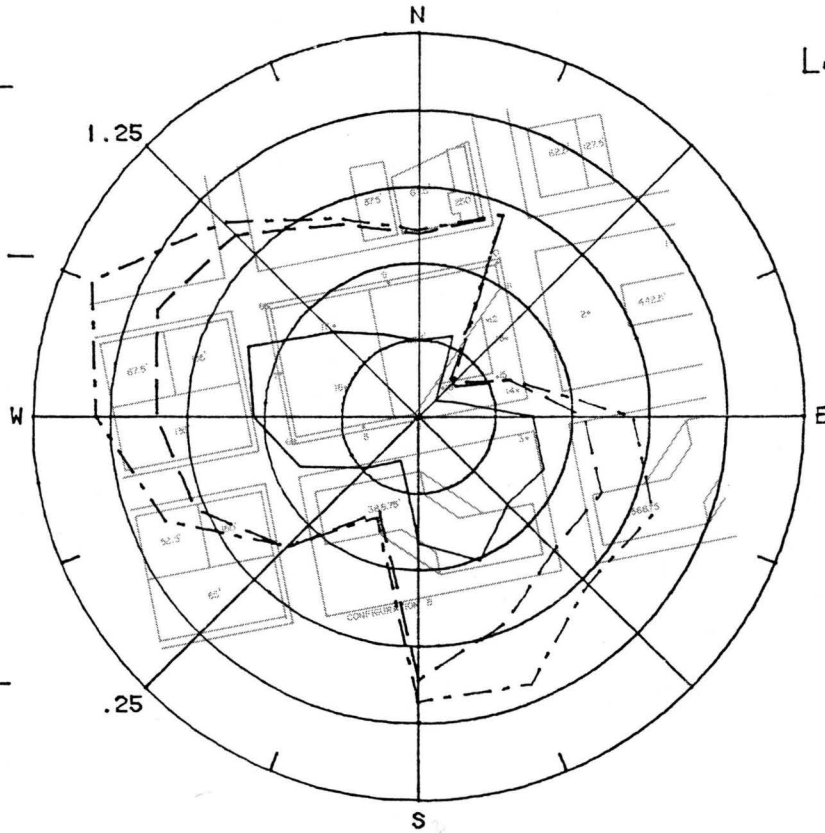


Figure 8b. Mean Velocities and Turbulence Intensities at Pedestrian Locations 3 and 4

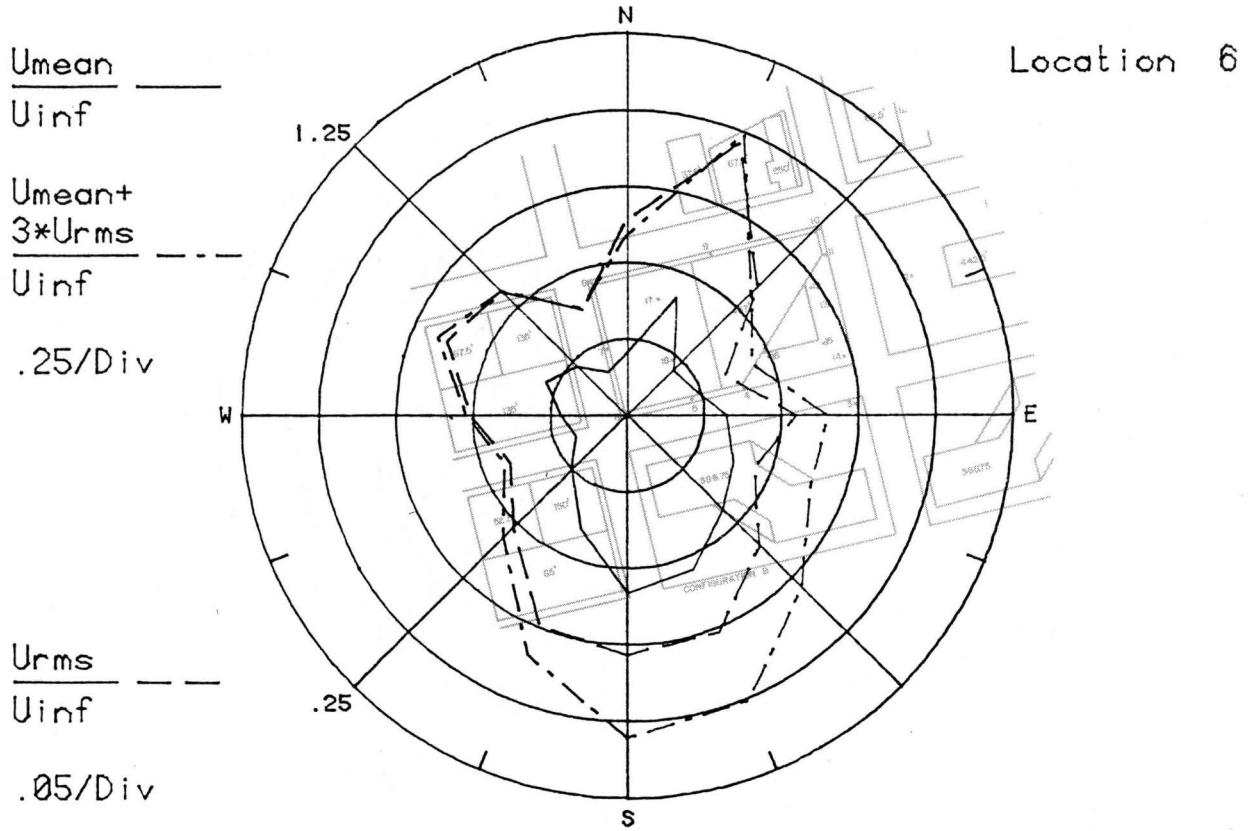
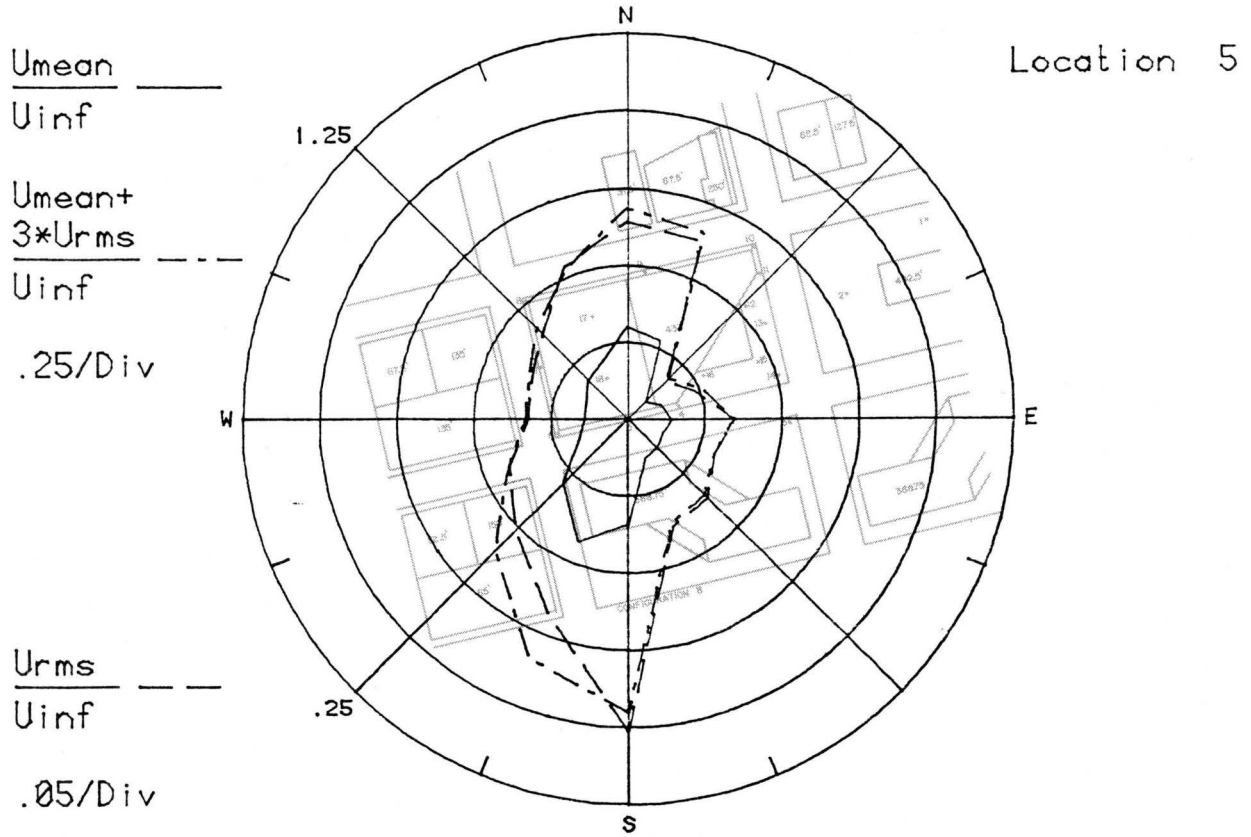


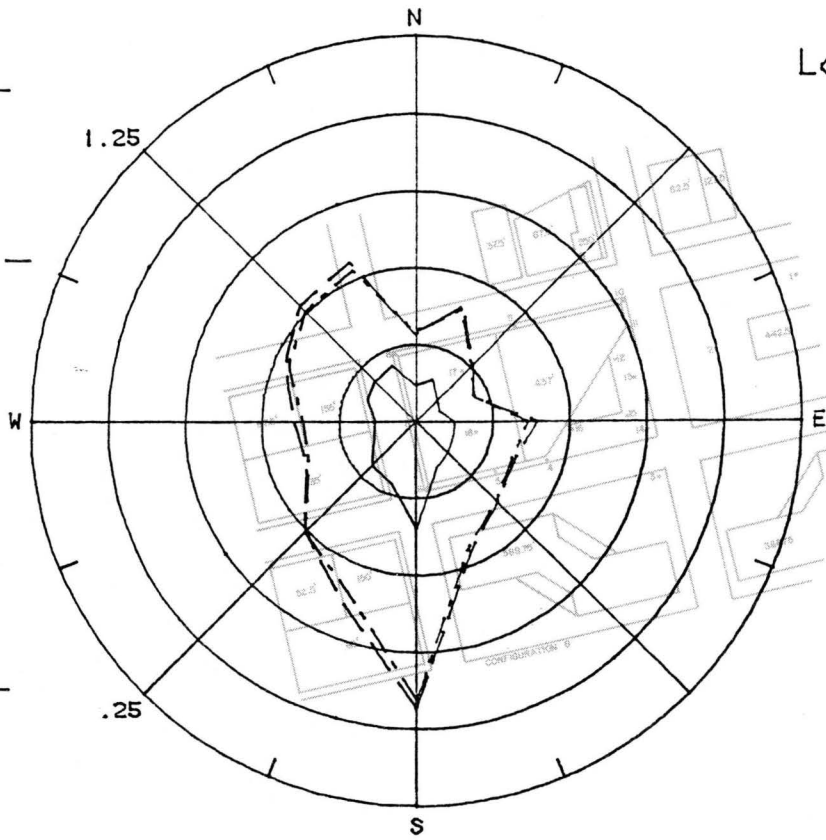
Figure 8c. Mean Velocities and Turbulence Intensities at Pedestrian Locations 5 and 6

$\frac{U_{mean}}{U_{inf}}$ ———

Location 7

$\frac{U_{mean} + 3 \cdot U_{rms}}{U_{inf}}$ - - - -

.25/Div



$\frac{U_{rms}}{U_{inf}}$ - - - -

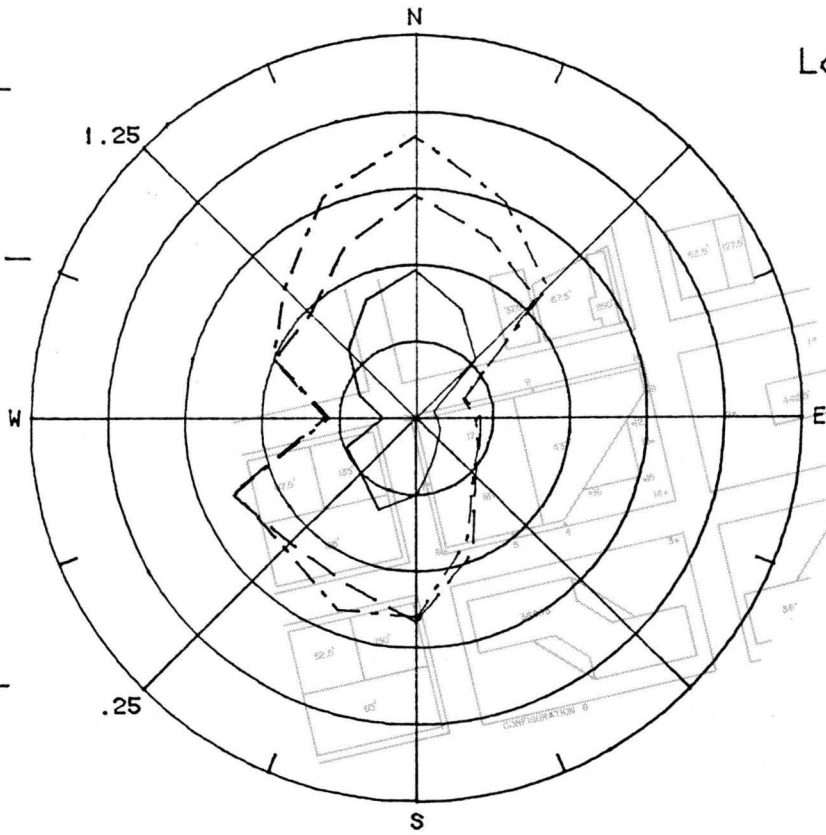
.05/Div

$\frac{U_{mean}}{U_{inf}}$ ———

Location 8

$\frac{U_{mean} + 3 \cdot U_{rms}}{U_{inf}}$ - - - -

.25/Div



$\frac{U_{rms}}{U_{inf}}$ - - - -

.05/Div

Figure 8d. Mean Velocities and Turbulence Intensities at Pedestrian Locations 7 and 8

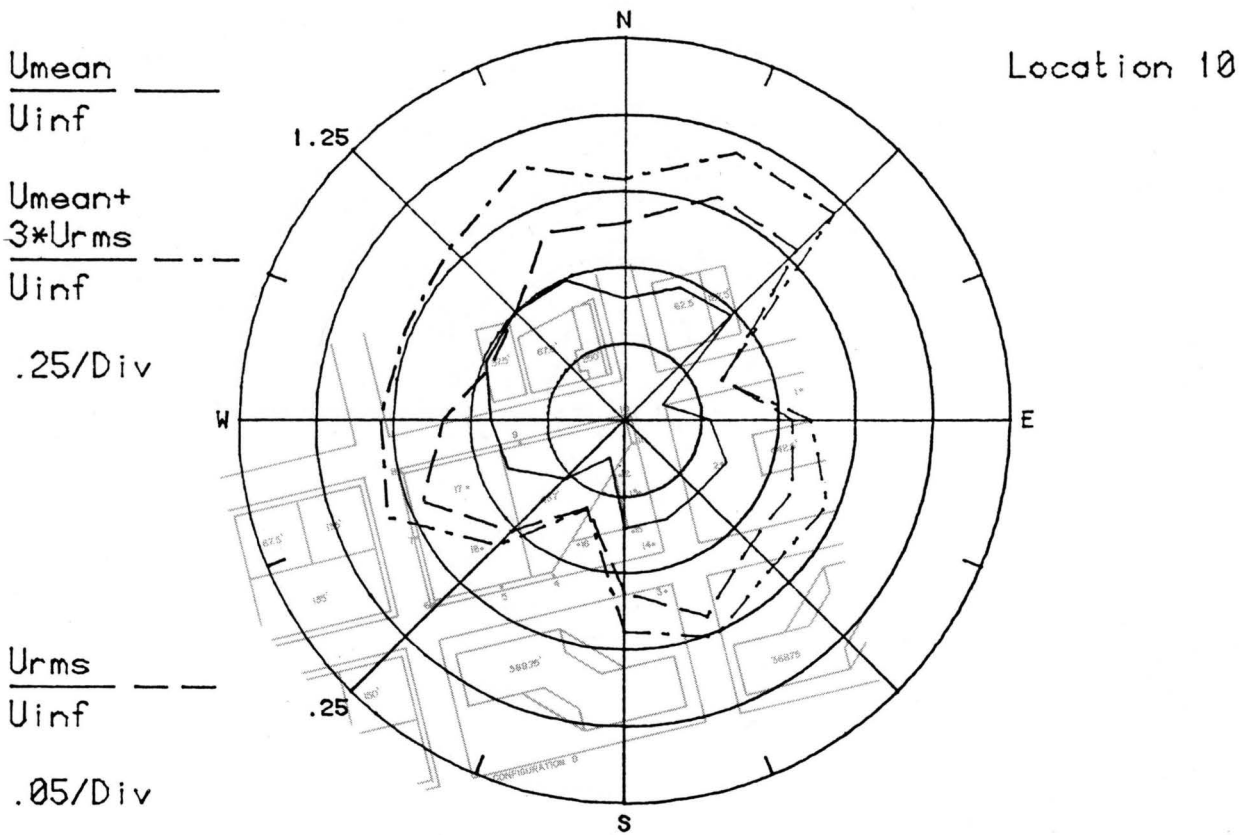
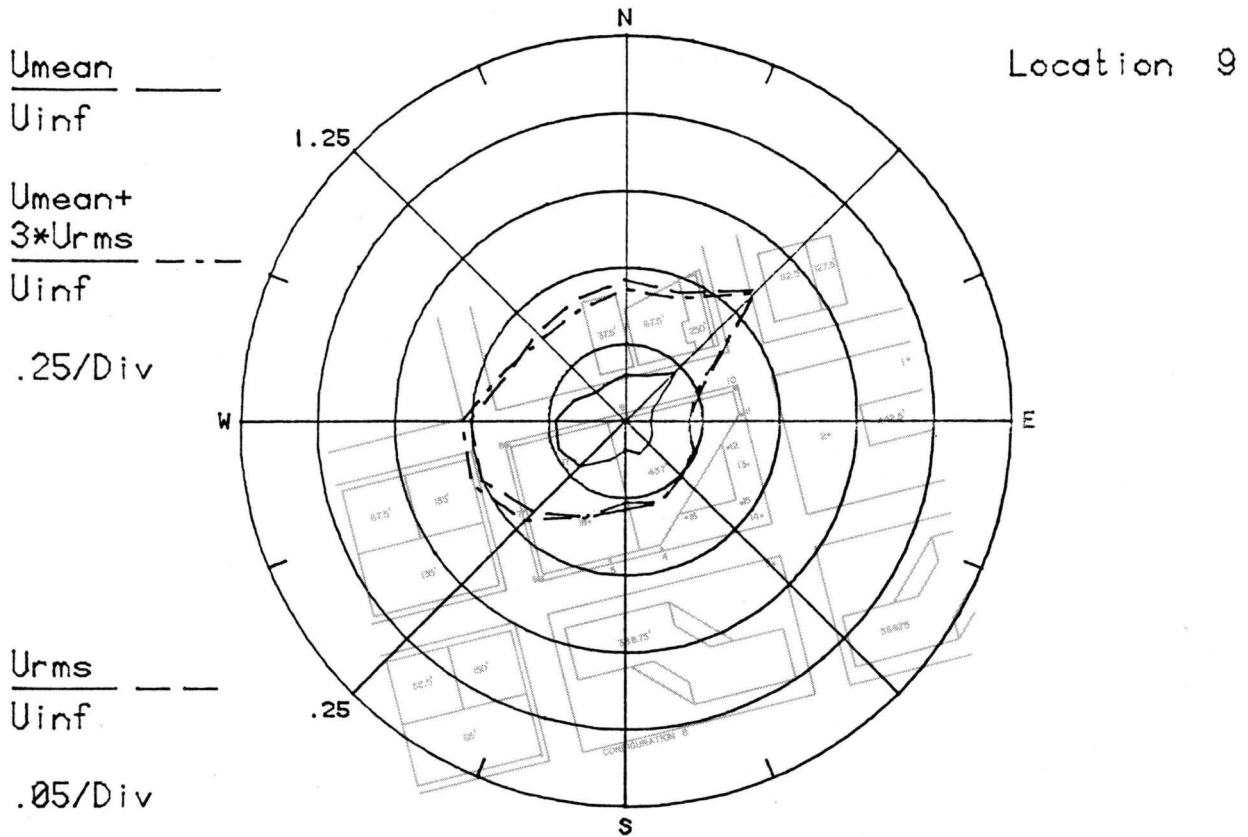


Figure 8e. Mean Velocities and Turbulence Intensities at Pedestrian Locations 9 and 10

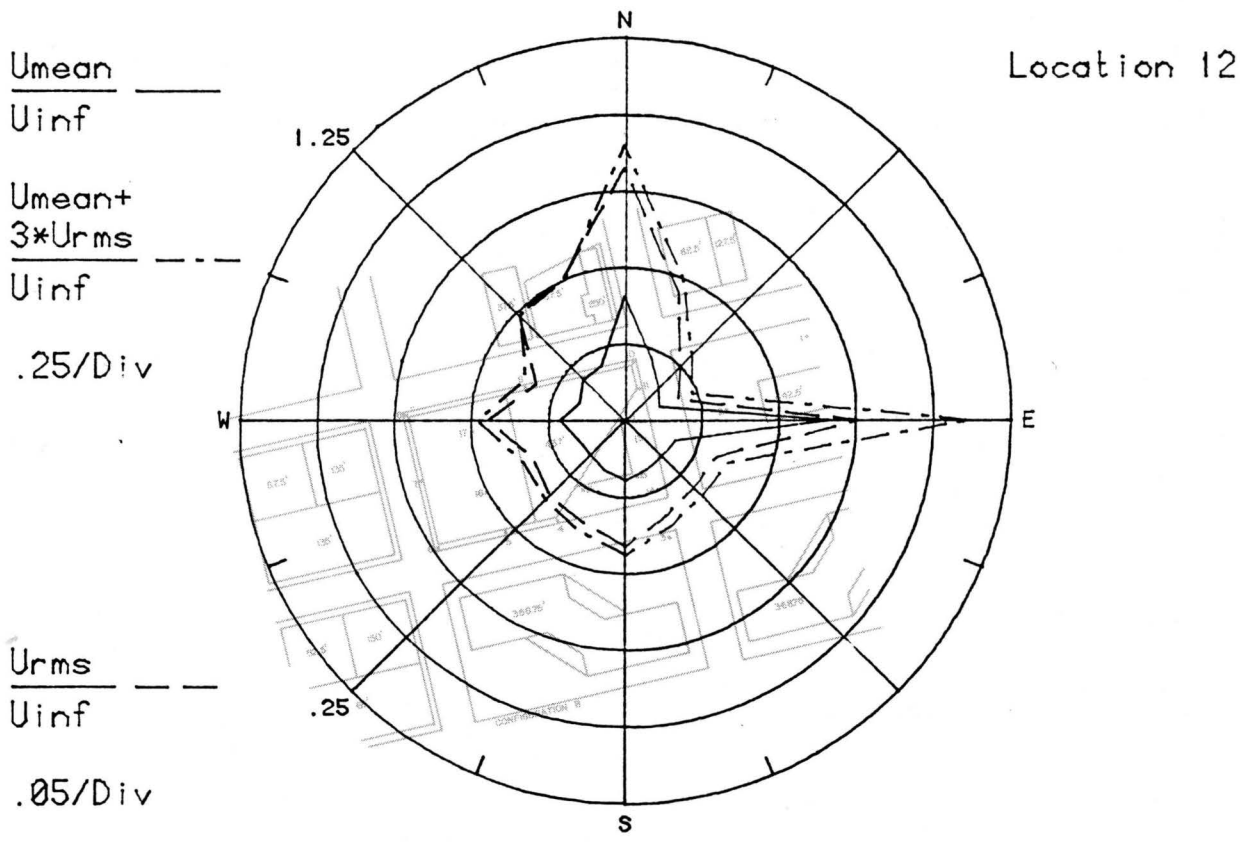
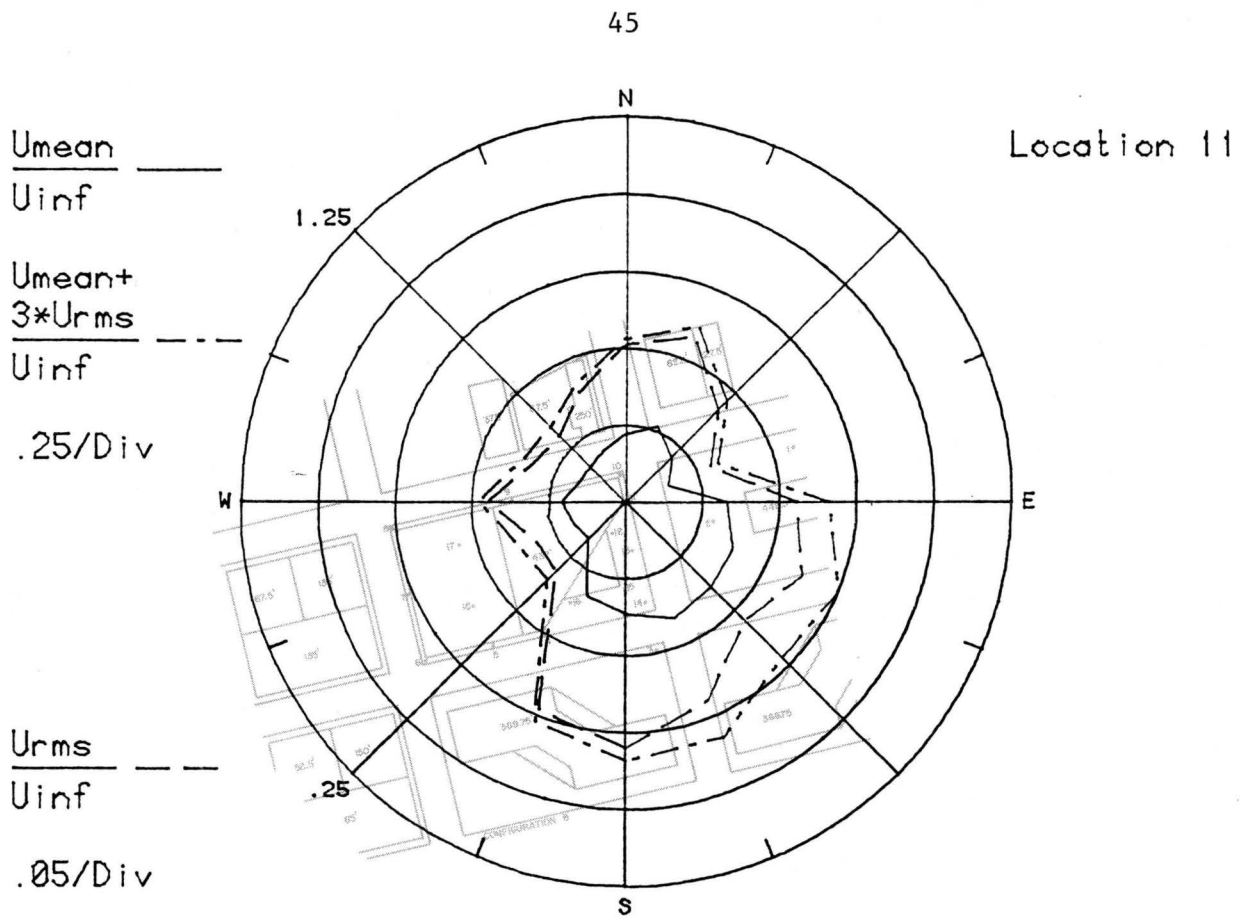


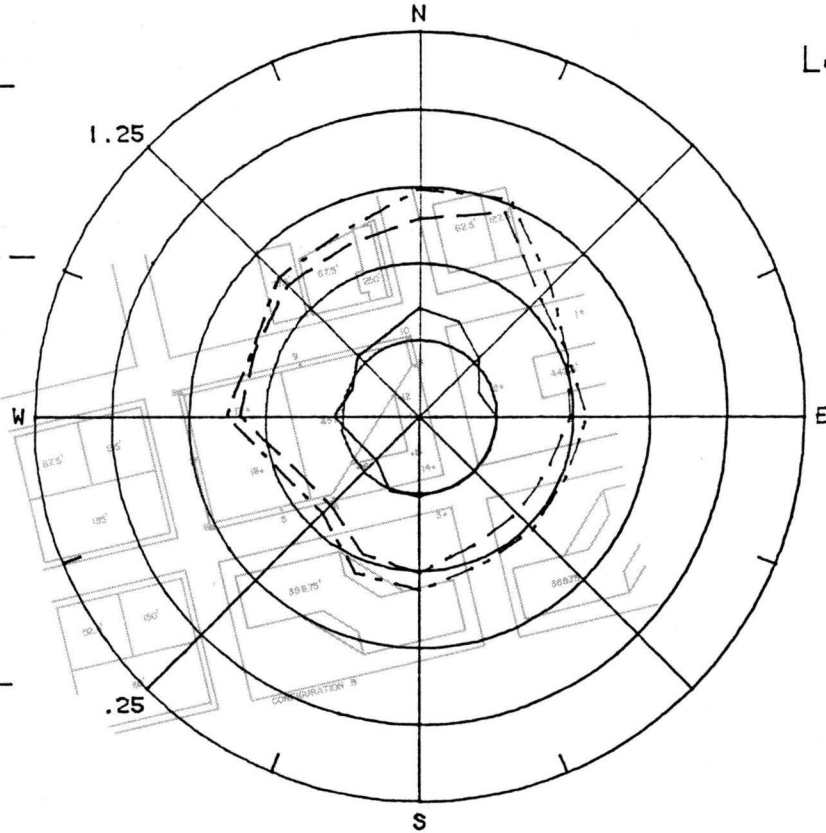
Figure 8f. Mean Velocities and Turbulence Intensities at Pedestrian Locations 11 and 12

$\frac{U_{mean}}{U_{inf}}$ ———

Location 13

$\frac{U_{mean} + 3 \cdot U_{rms}}{U_{inf}}$ - - - -

.25/Div



$\frac{U_{rms}}{U_{inf}}$ - - - -

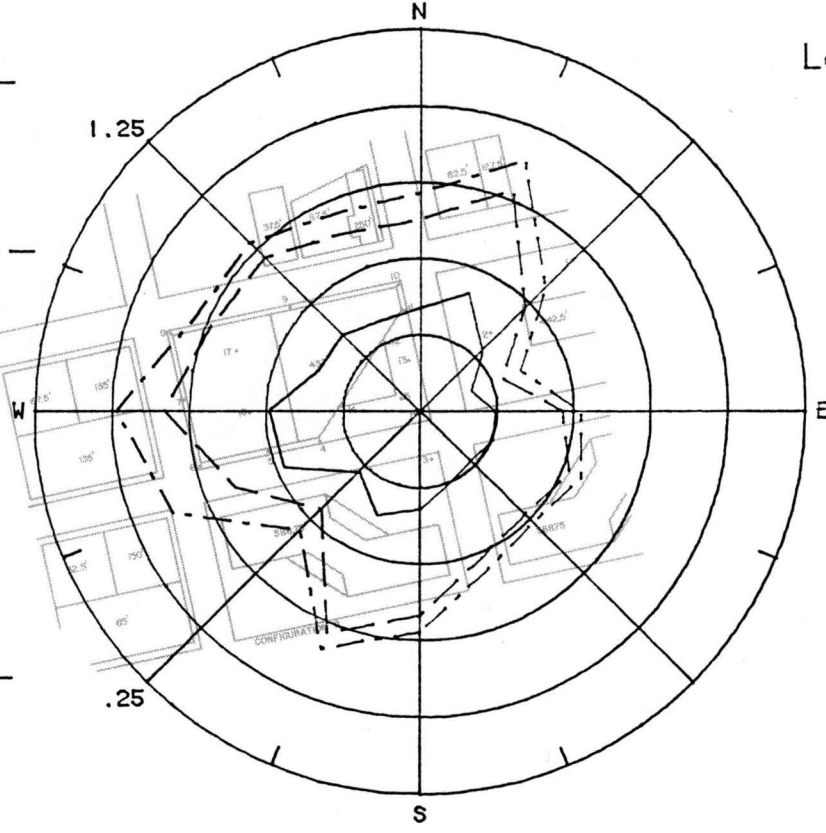
.05/Div

$\frac{U_{mean}}{U_{inf}}$ ———

Location 14

$\frac{U_{mean} + 3 \cdot U_{rms}}{U_{inf}}$ - - - -

.25/Div



$\frac{U_{rms}}{U_{inf}}$ - - - -

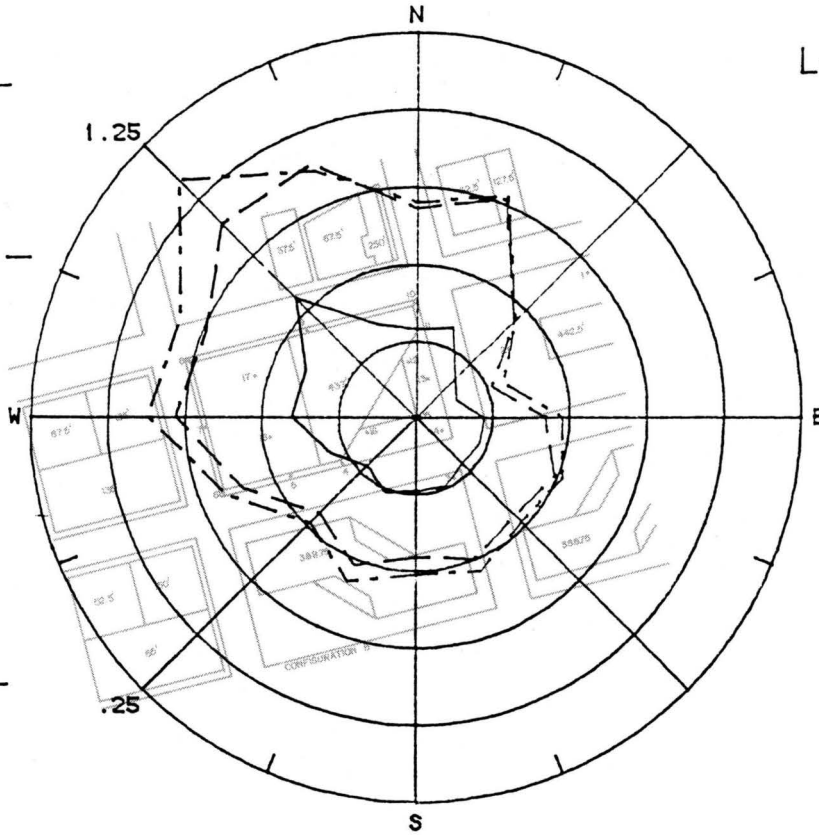
.05/Div

Figure 8g. Mean Velocities and Turbulence Intensities at Pedestrian Locations 13 and 14

$\frac{U_{mean}}{U_{inf}}$ ———
 U_{inf}

Location 15

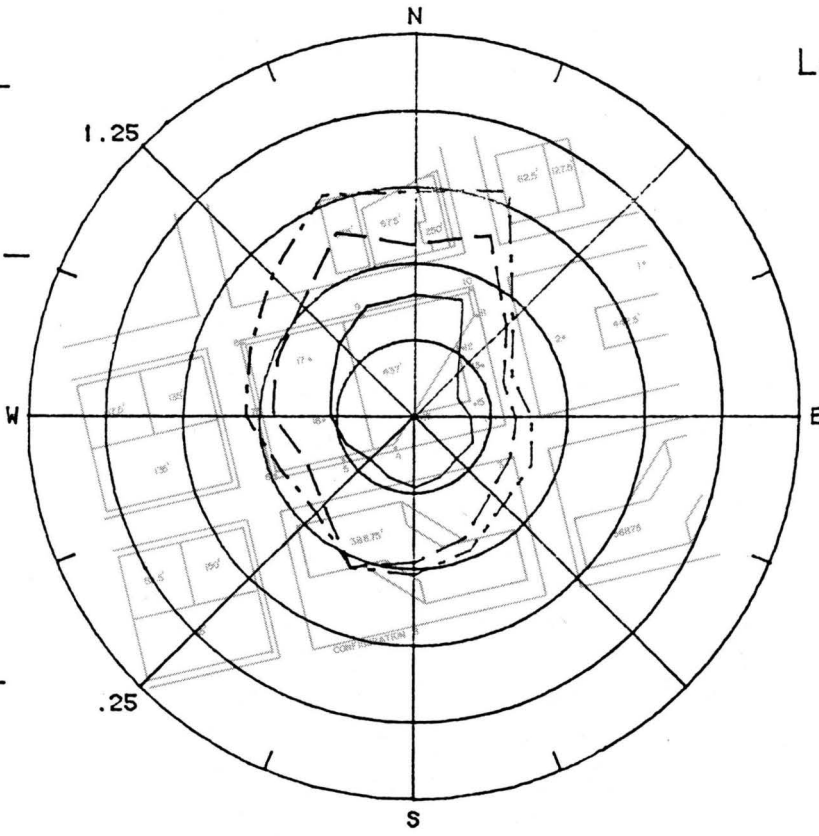
$\frac{U_{mean} + 3 * U_{rms}}{U_{inf}}$ - - - -
 U_{inf}
 .25/Div



$\frac{U_{rms}}{U_{inf}}$ - - - -
 U_{inf}
 .05/Div

$\frac{U_{mean}}{U_{inf}}$ ———
 U_{inf}

Location 16



$\frac{U_{rms}}{U_{inf}}$ - - - -
 U_{inf}
 .05/Div

Figure 8h. Mean Velocities and Turbulence Intensities at Pedestrian Locations 15 and 16

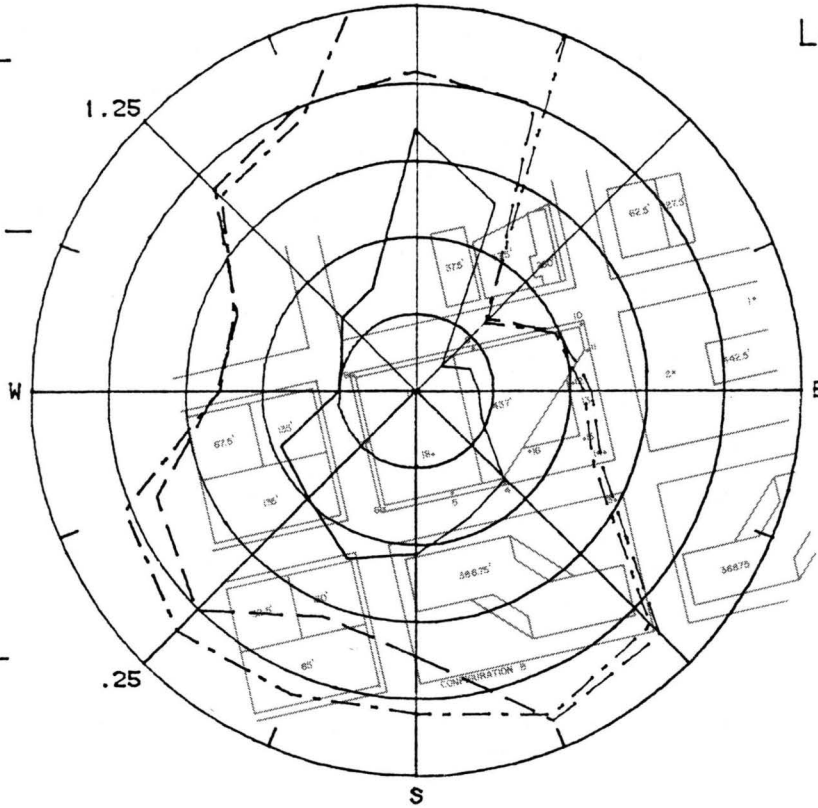
$\frac{U_{mean}}{U_{inf}}$ ———

U_{inf}

Location 17

$\frac{U_{mean} + 3*U_{rms}}{U_{inf}}$ - - - -

$.25/Div$



$\frac{U_{rms}}{U_{inf}}$ - - - -

$.05/Div$

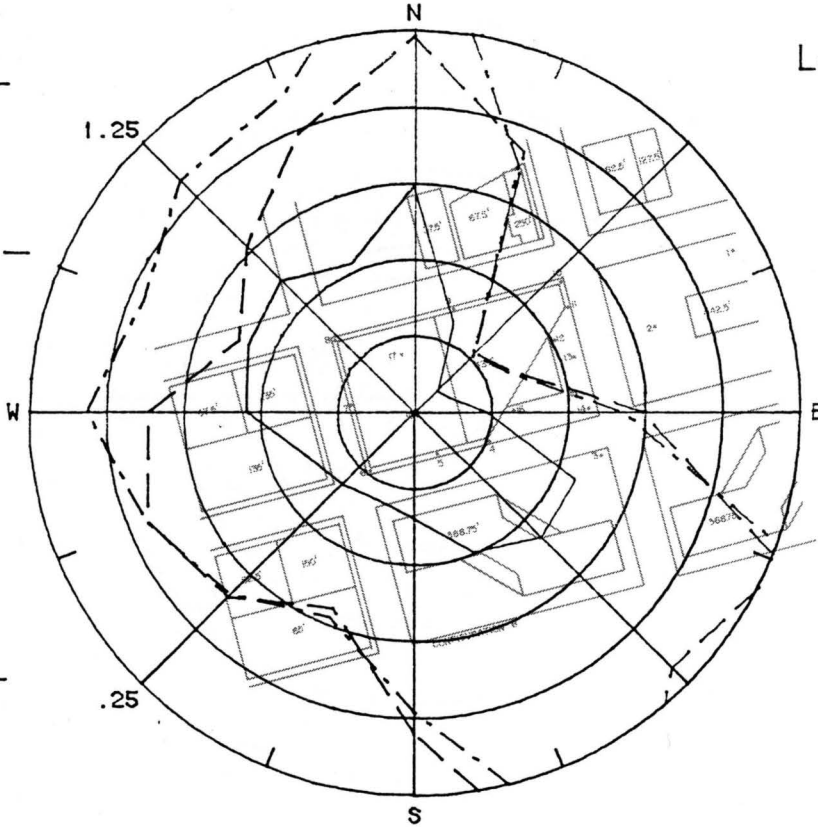
$\frac{U_{mean}}{U_{inf}}$ ———

U_{inf}

Location 18

$\frac{U_{mean} + 3*U_{rms}}{U_{inf}}$ - - - -

$.25/Div$



$\frac{U_{rms}}{U_{inf}}$ - - - -

$.05/Div$

Figure 8i. Mean Velocities and Turbulence Intensities at Pedestrian Locations 17 and 18

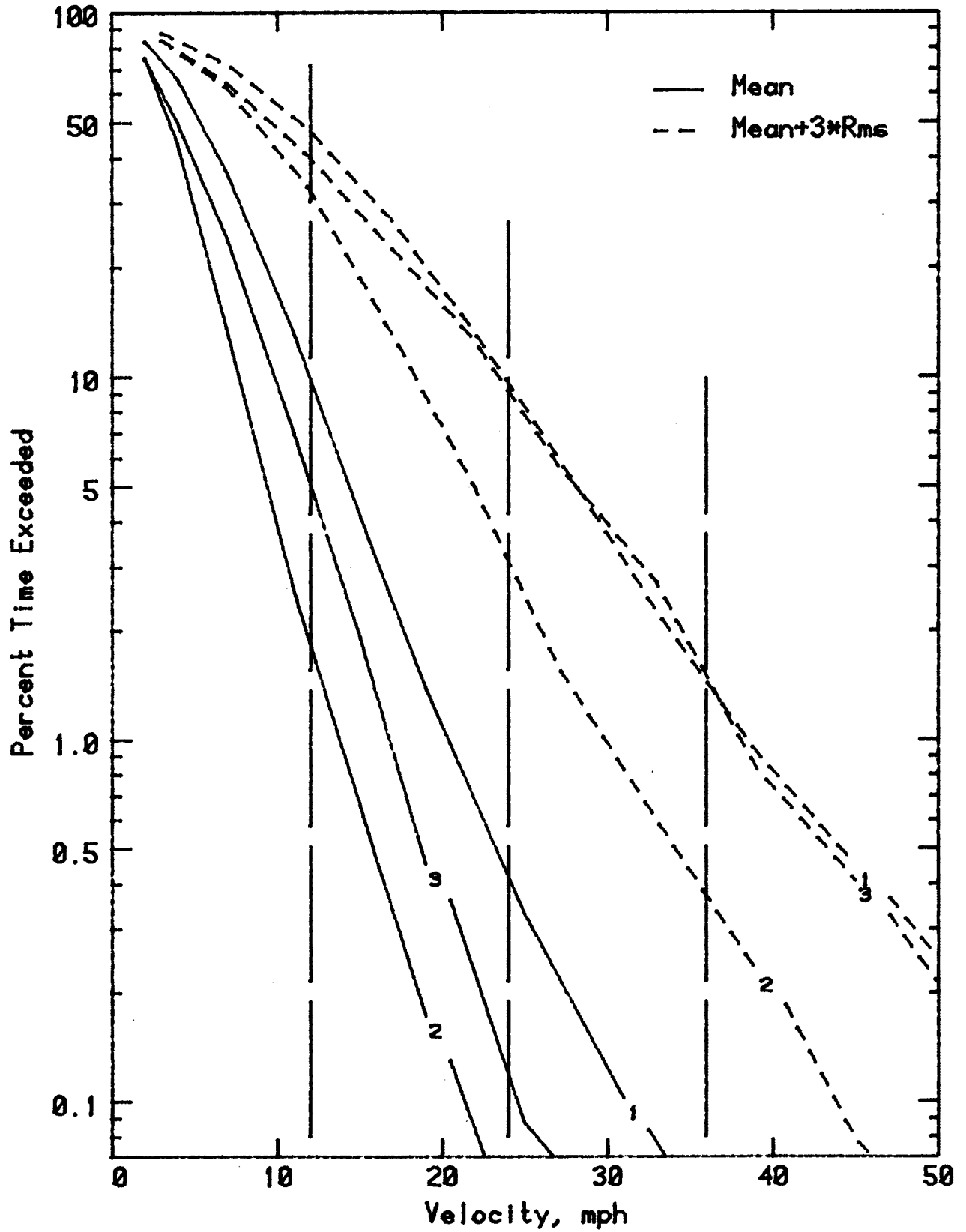


Figure 9a. Wind Velocity Probabilities
for Pedestrian Locations 1, 2, 3

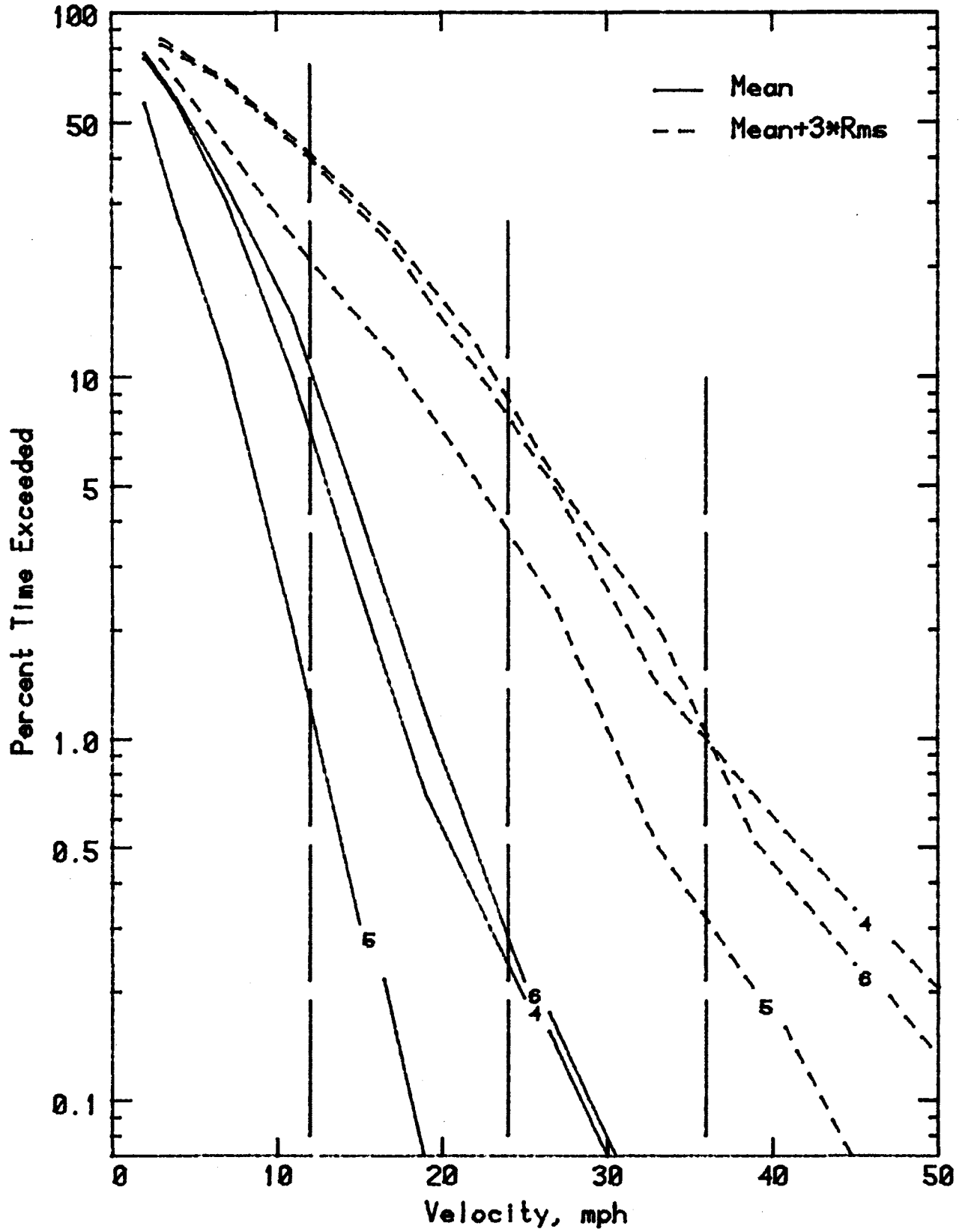


Figure 9b. Wind Velocity Probabilities
for Pedestrian Locations 4, 5, 6

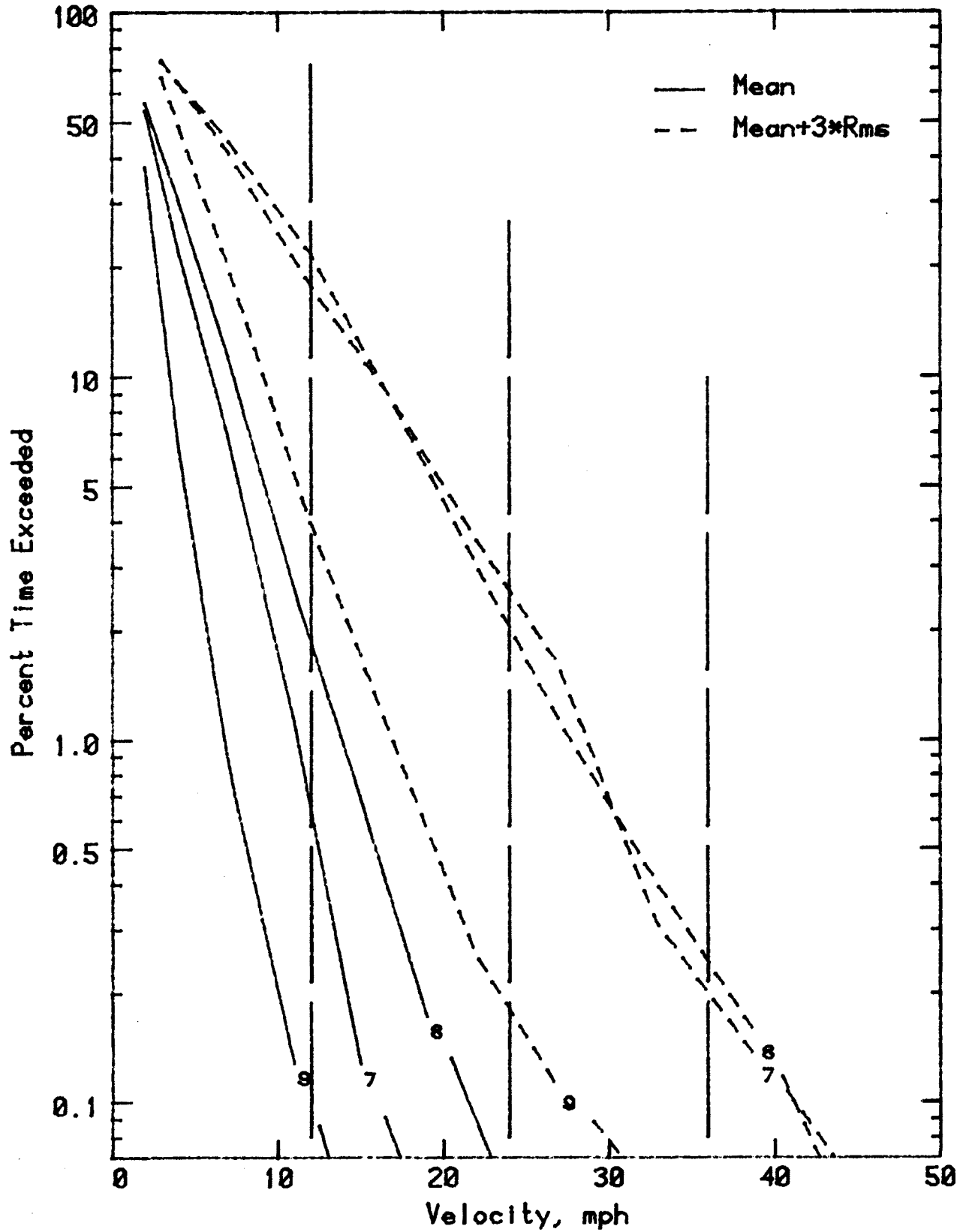


Figure 9c. Wind Velocity Probabilities
for Pedestrian Locations 7, 8, 9

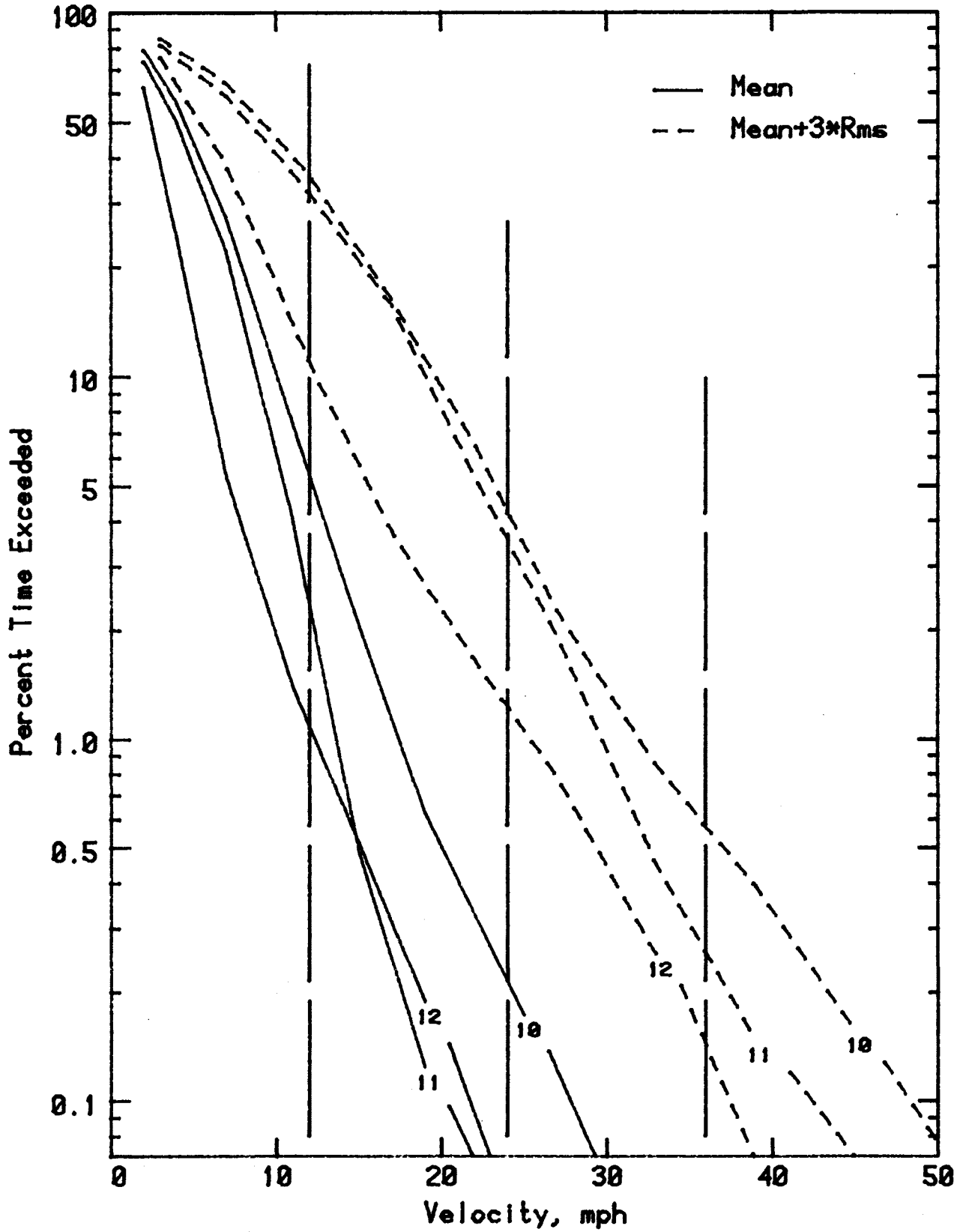


Figure 9d. Wind Velocity Probabilities
for Pedestrian Locations 10, 11, 12

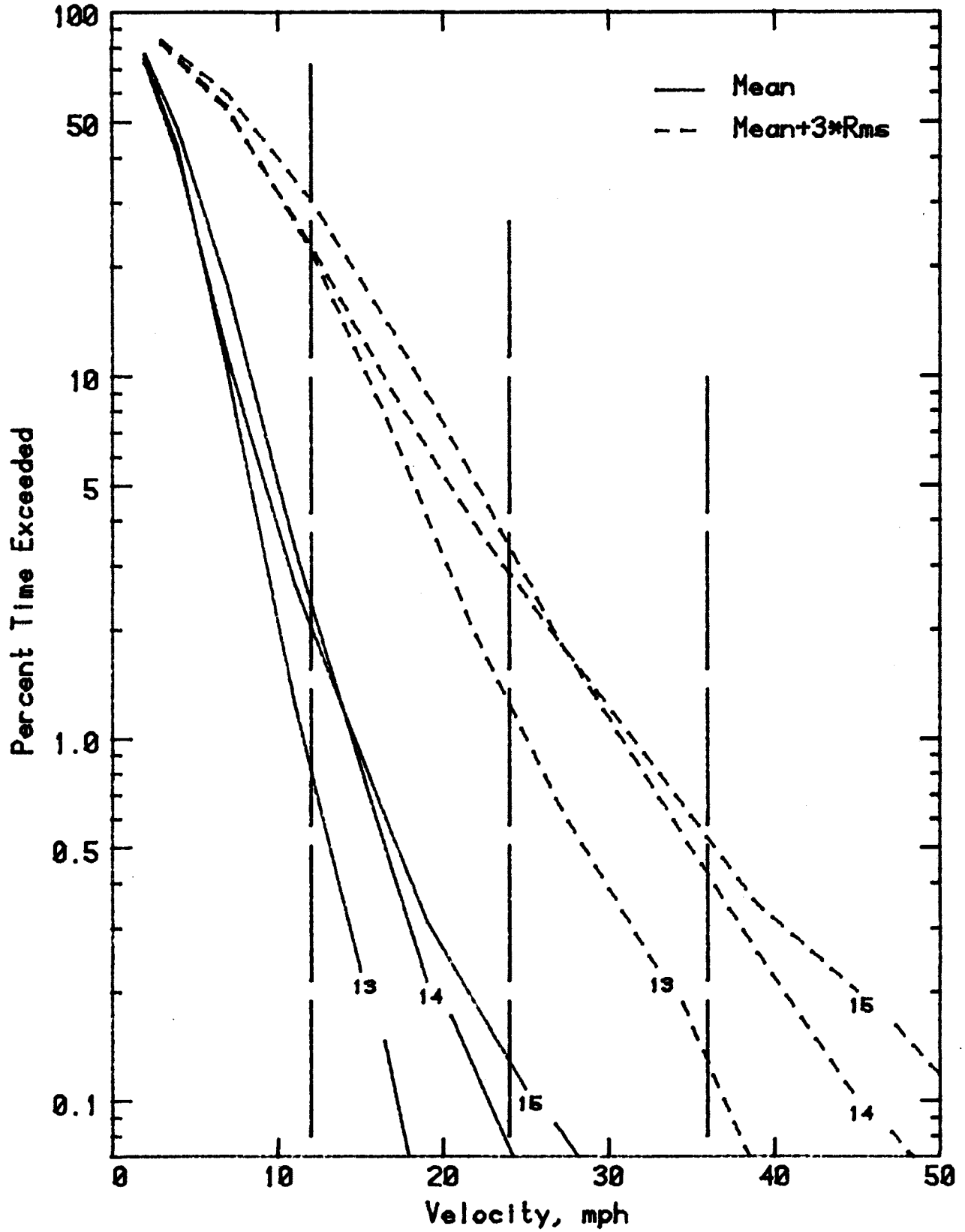


Figure 9e. Wind Velocity Probabilities
for Pedestrian Locations 13, 14, 15

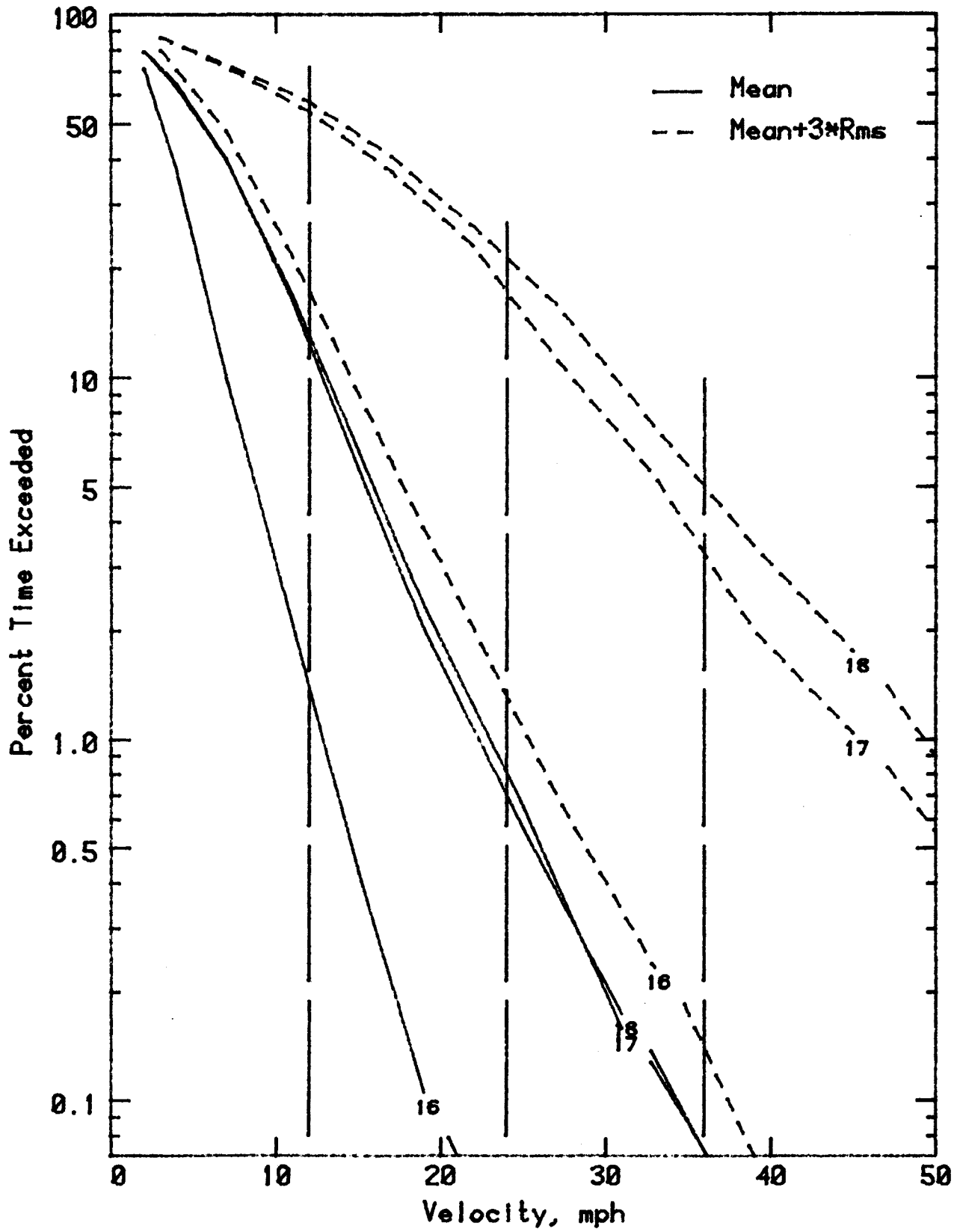
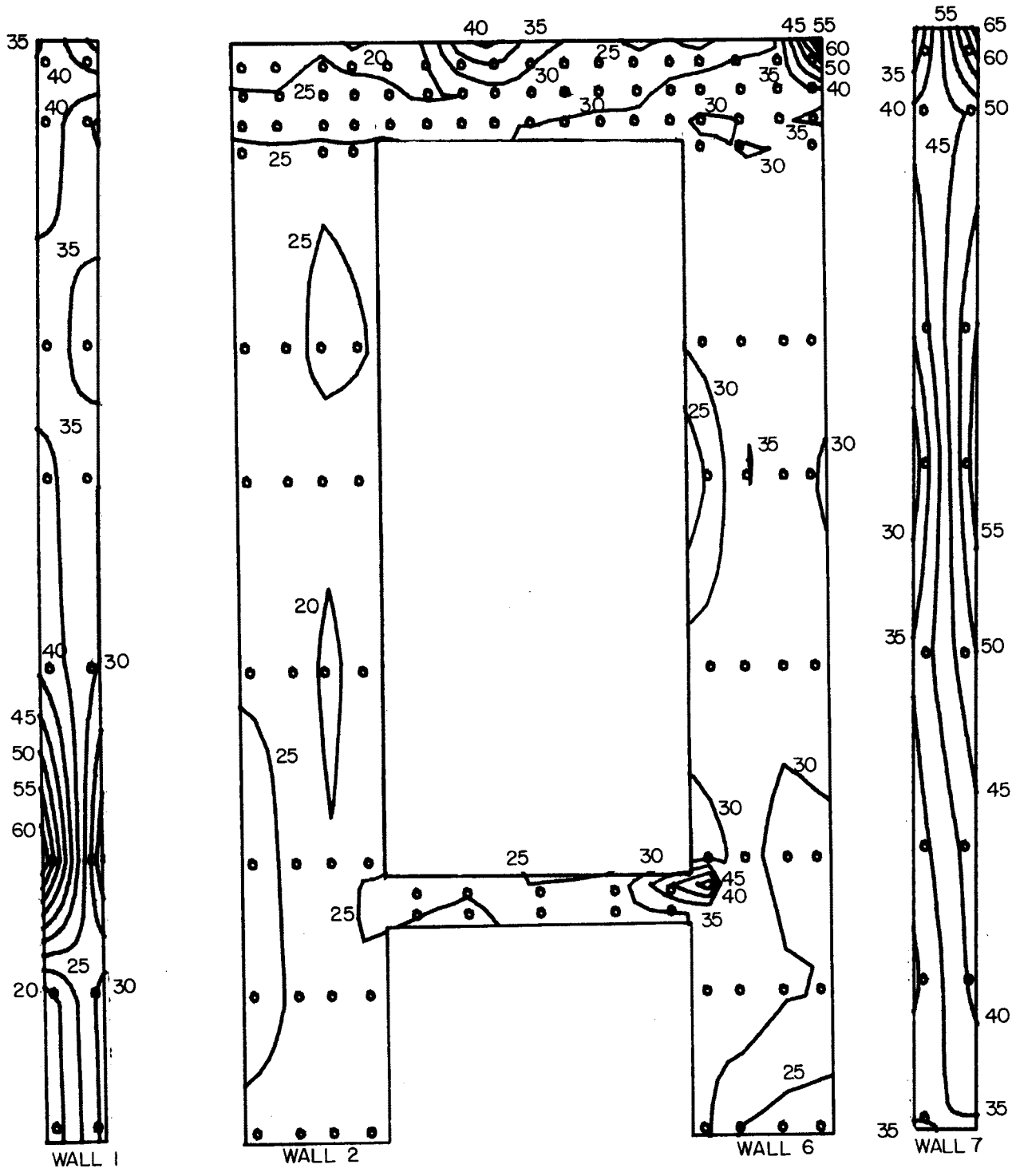
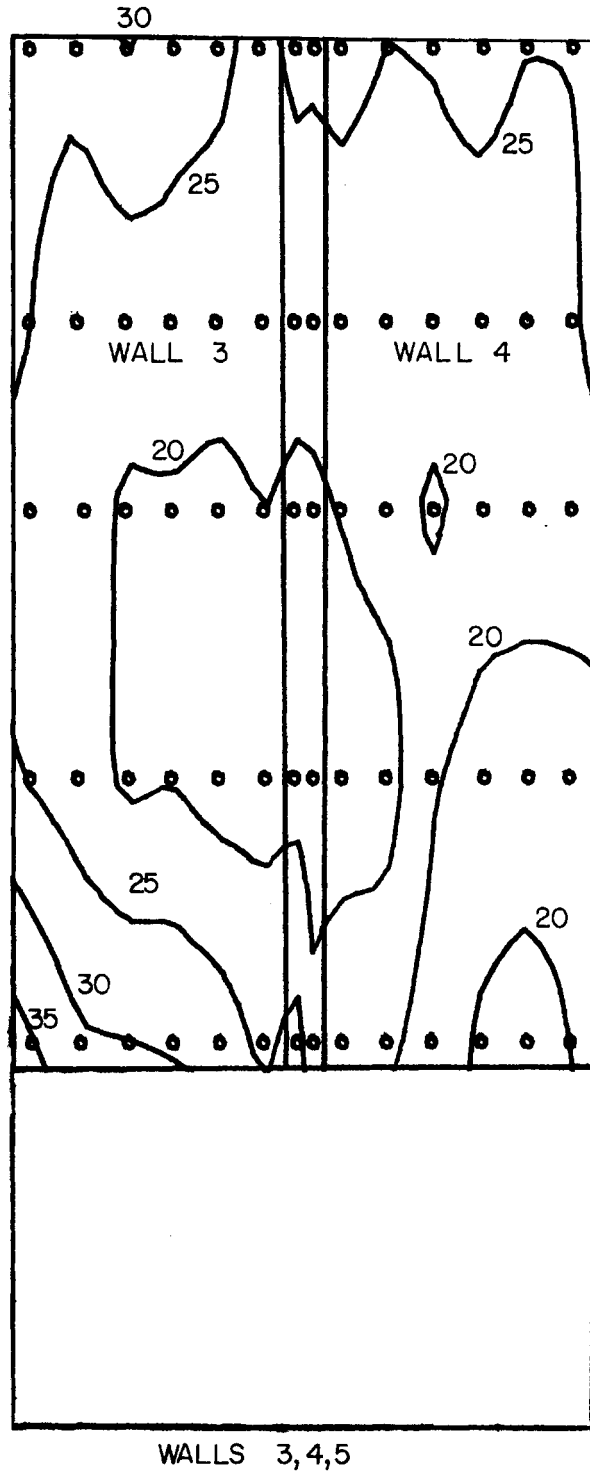


Figure 9f. Wind Velocity Probabilities
for Pedestrian Locations 16, 17, 18



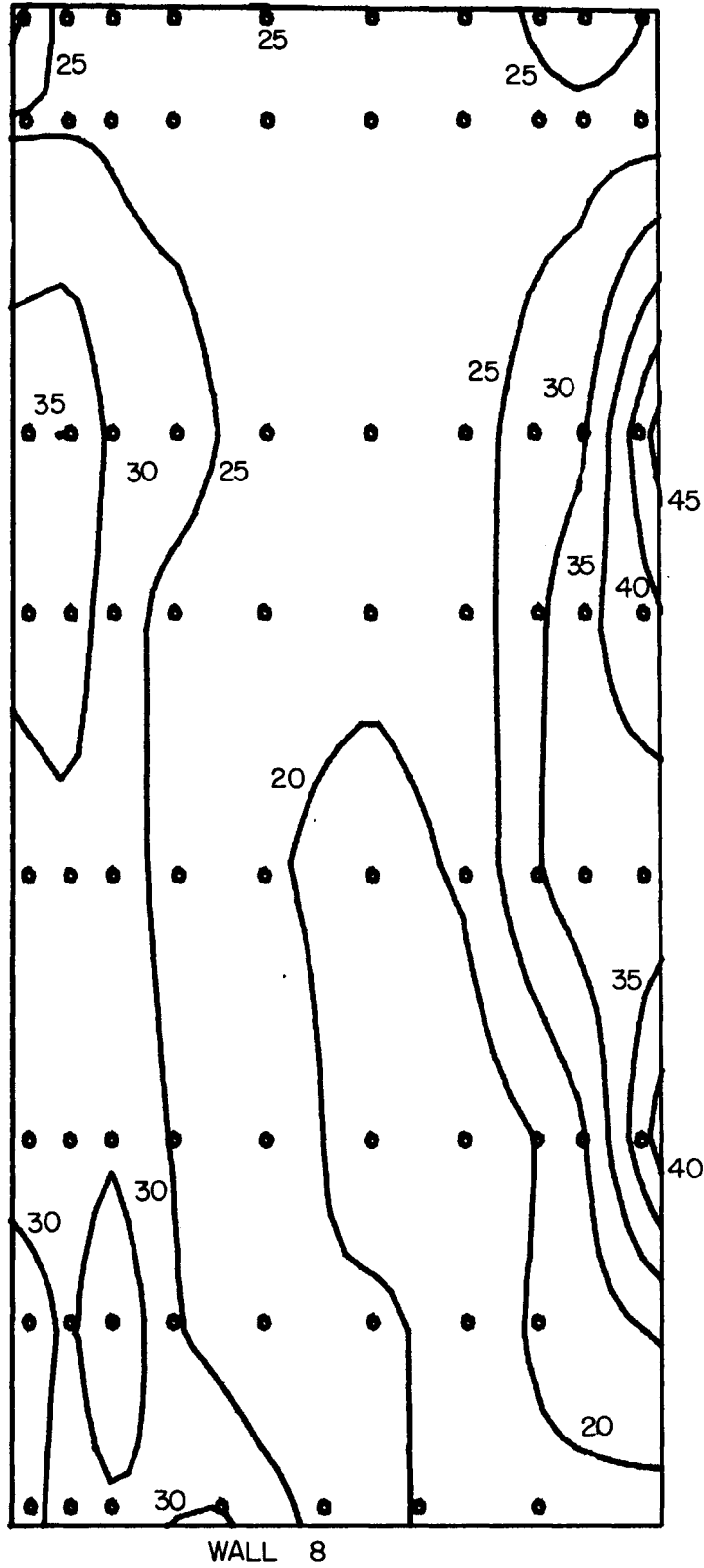
CONFIGURATION A
REFERENCE PRESSURE = 27psf
GLASS LOAD FACTOR = 0.73

Figure 10a. Peak-Pressure Contours on the Building for Glass Loads



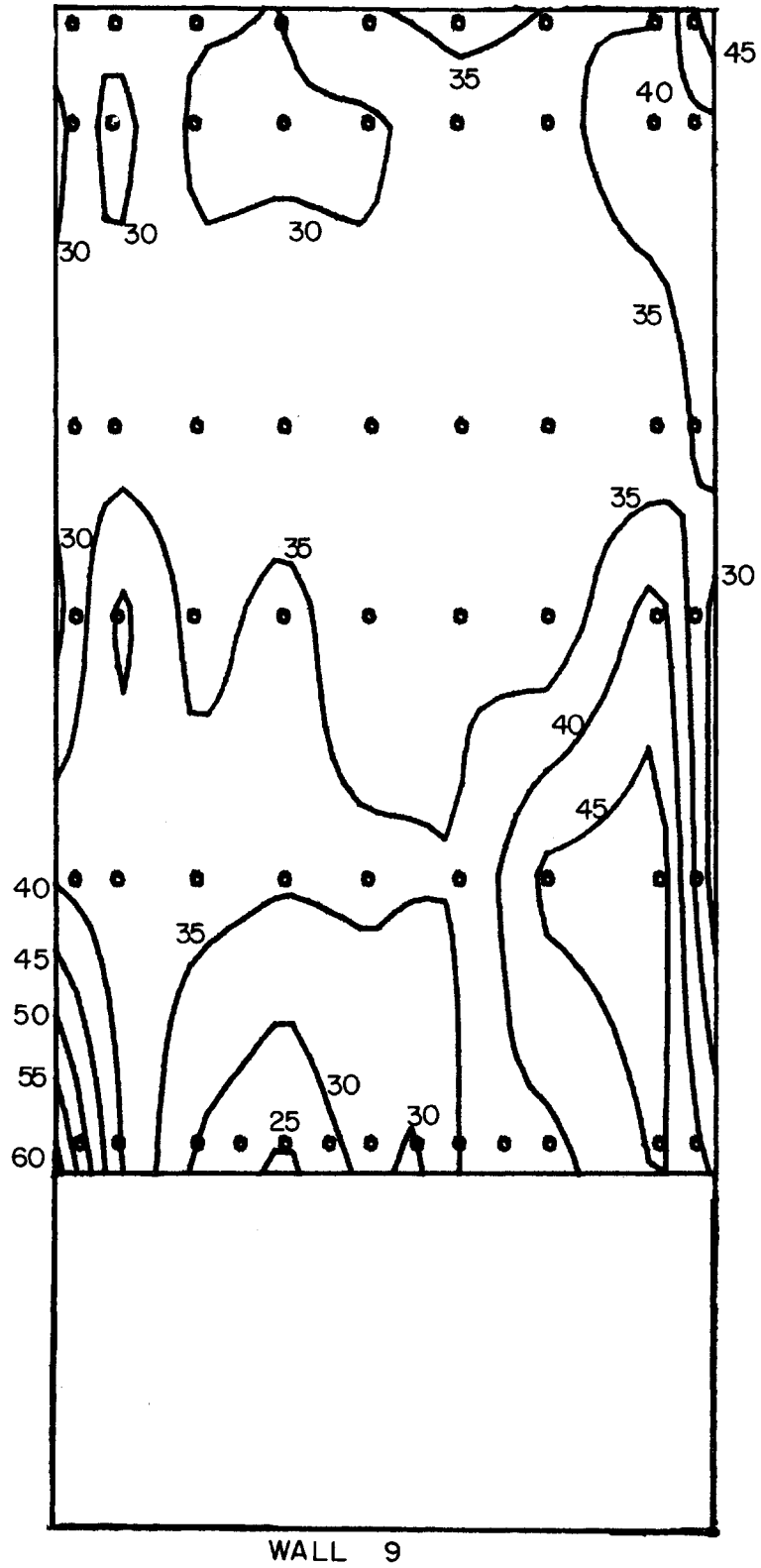
CONFIGURATION A
REFERENCE PRESSURE = 27psf
GLASS LOAD FACTOR = 0.73

Figure 10b. Peak-Pressure Contours on the Building for Glass Loads



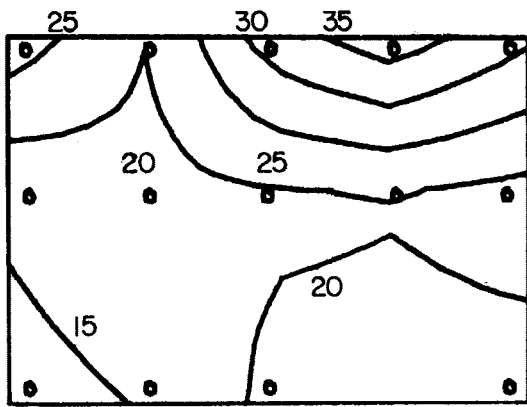
CONFIGURATION A
REFERENCE PRESSURE = 27psf
GLASS LOAD FACTOR = 0.73

Figure 10c. Peak-Pressure Contours on the Building for Glass Loads

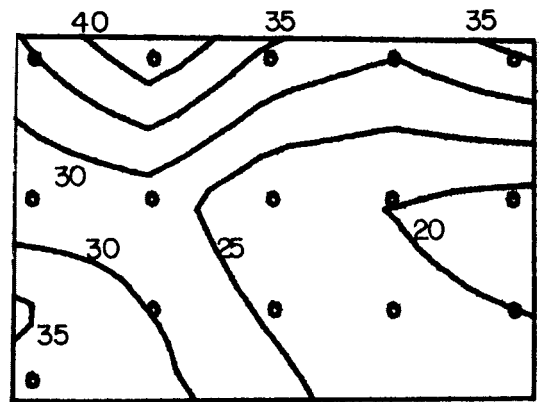


CONFIGURATION A
REFERENCE PRESSURE = 27psf
GLASS LOAD FACTOR = 0.73

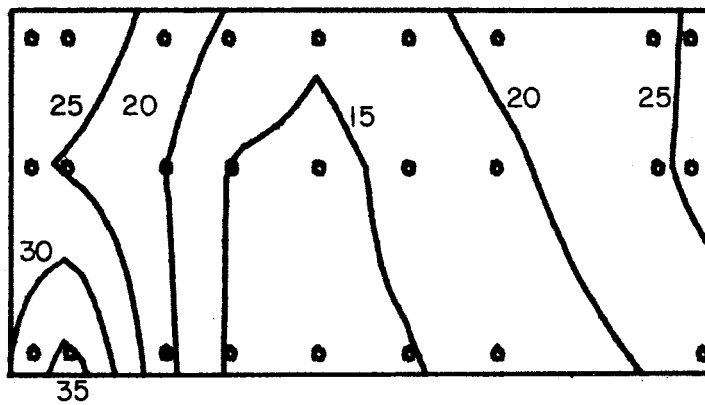
Figure 10d. Peak-Pressure Contours on the Building for Glass Loads



WALL 11



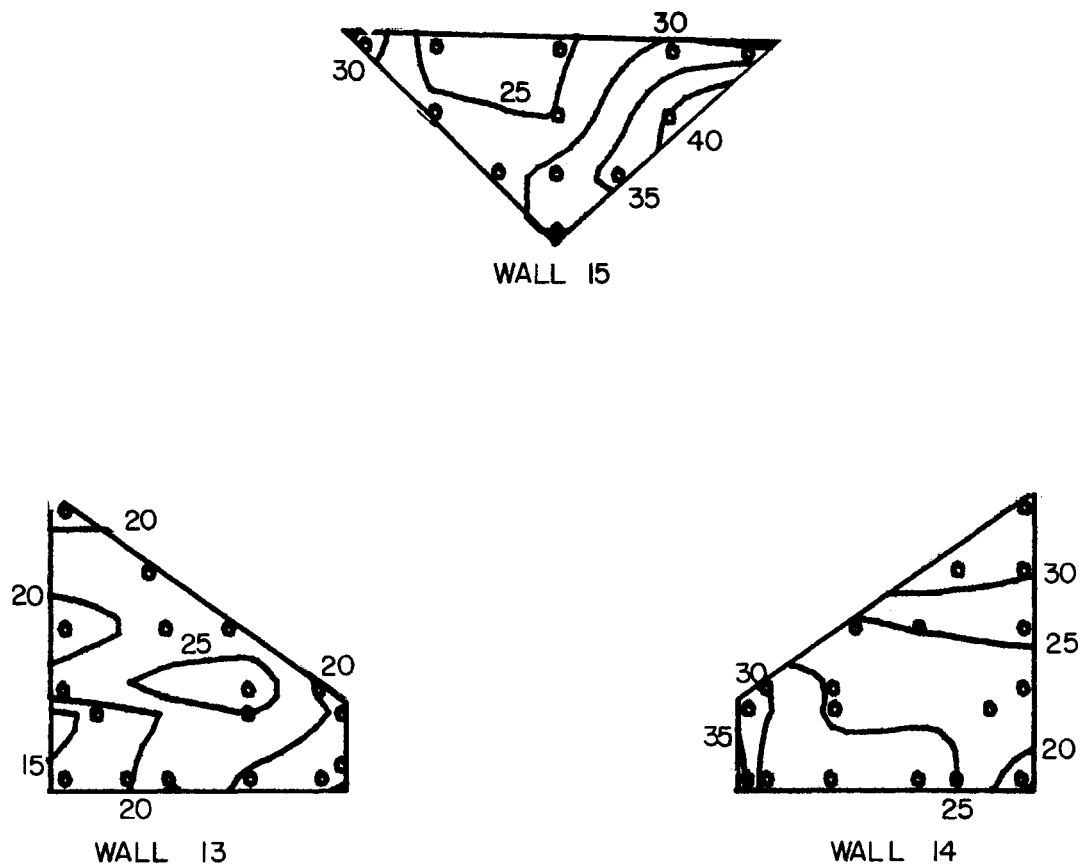
WALL 12



WALL 10

CONFIGURATION A
 REFERENCE PRESSURE = 27psf
 GLASS LOAD FACTOR = 0.73

Figure 10e. Peak-Pressure Contours on the Building for Glass Loads



CONFIGURATION A
 REFERENCE PRESSURE = 27psf
 GLASS LOAD FACTOR = 0.73

Figure 10f. Peak-Pressure Contours on the Building for Glass Loads

TABLE 1. MOTION PICTURE SCENE GUIDE -- MAIN PLACE HOTEL

Run	Wind Azimuth
1	0°
2	15°
3	30°
4	45°
5	60°
6	75°
7	90°
8	105°
9	120°
10	135°
11	150°
12	165°
13	180°
14	195°
15	210°
16	225°
17	240°
18	255°
19	270°
20	285°
21	300°
22	315°
23	330°
24	345°

Each run consists of a series of shots, first from downwind, then upwind, with the camera inside the tunnel.

Length \approx 1580 ft
Running Time \approx 44 min

TABLE 2--PEDESTRIAN WIND VELOCITIES AND TURBULENCE INTENSITIES
 MAIN PLACE HOTEL, DALLAS--CONFIGURATION B

LOCATION 1				LOCATION 2			
WIND AZIMUTH	UMEAN/UINF (PERCENT)	URMS/UINF (PERCENT)	UMEAN+3*URMS/UINF (PERCENT)	WIND AZIMUTH	UMEAN/UINF (PERCENT)	URMS/UINF (PERCENT)	UMEAN+3*URMS/UINF (PERCENT)
22.00	61.1	18.2	115.6	22.00	26.7	12.2	63.4
22.50	58.3	17.3	110.3	22.50	51.0	16.1	99.2
45.00	57.8	16.8	108.1	45.00	34.4	16.7	84.5
67.50	34.7	14.3	77.8	67.50	21.3	8.4	46.6
90.00	33.0	12.5	70.6	90.00	22.1	9.6	50.8
112.50	47.1	12.8	85.6	112.50	25.4	11.8	60.9
135.00	46.4	12.5	83.8	135.00	24.3	13.0	63.3
157.50	47.7	15.6	94.5	157.50	29.5	14.9	74.1
180.00	25.8	14.1	68.0	180.00	26.6	14.3	68.9
202.50	45.2	19.7	104.4	202.50	15.3	7.4	37.4
225.00	17.0	7.8	40.4	225.00	20.1	10.1	50.4
247.50	28.8	11.4	63.0	247.50	19.7	11.2	53.4
270.00	57.5	13.5	98.1	270.00	29.8	14.8	74.1
292.50	57.4	14.4	100.7	292.50	41.9	13.6	82.8
315.00	49.3	14.9	94.1	315.00	26.3	10.5	67.8
337.50	40.4	15.3	86.2	337.50	32.6	13.8	74.0

LOCATION 3				LOCATION 4			
WIND AZIMUTH	UMEAN/UINF (PERCENT)	URMS/UINF (PERCENT)	UMEAN+3*URMS/UINF (PERCENT)	WIND AZIMUTH	UMEAN/UINF (PERCENT)	URMS/UINF (PERCENT)	UMEAN+3*URMS/UINF (PERCENT)
22.00	31.1	15.8	78.6	22.00	25.0	11.9	60.8
22.50	38.9	21.2	102.6	22.50	28.6	14.2	71.2
45.00	17.4	9.5	46.0	45.00	7.5	2.7	15.7
67.50	12.0	5.8	29.4	67.50	12.7	6.4	31.8
90.00	20.9	10.1	51.1	90.00	37.2	10.8	69.6
112.50	23.4	12.2	60.1	112.50	43.9	12.8	82.4
135.00	22.5	12.1	58.9	135.00	40.3	12.3	77.2
157.50	30.5	13.1	69.9	157.50	50.9	14.6	94.6
180.00	47.4	20.7	109.6	180.00	41.4	17.2	93.0
202.50	41.2	20.9	103.9	202.50	15.4	6.7	35.4
225.00	18.7	9.7	47.8	225.00	23.7	12.1	60.0
247.50	42.4	15.5	88.4	247.50	41.9	15.7	88.9
270.00	54.9	21.2	118.4	270.00	53.6	17.0	104.6
292.50	43.4	19.4	101.7	292.50	60.0	18.2	114.7
315.00	36.1	15.8	83.4	315.00	39.2	16.7	89.4
337.50	33.8	13.1	73.2	337.50	29.1	13.6	69.9

TABLE 2--PEDESTRIAN WIND VELOCITIES AND TURBULENCE INTENSITIES
 MAIN PLACE HOTEL, DALLAS--CONFIGURATION B

LOCATION 5

WIND AZIMUTH	UMEAN/UINF (PERCENT)	URMS/UINF (PERCENT)	UMEAN+3*URMS/UINF (PERCENT)
00	30.0	12.8	68.8
2	27.7	12.5	65.8
4	7.9	3.5	18.5
6	11.7	4.7	25.5
8	11.7	6.6	33.5
10	14.4	6.6	33.5
11	11.1	6.6	33.5
12	13.3	7.7	36.6
13	34.3	20.3	95.6
14	43.2	13.7	84.7
15	29.8	10.3	60.3
16	16.8	8.3	41.7
17	13.7	6.6	33.5
18	14.4	6.6	33.5
19	17.9	7.7	41.7
20	20.3	10.7	52.3

LOCATION 6

WIND AZIMUTH	UMEAN/UINF (PERCENT)	URMS/UINF (PERCENT)	UMEAN+3*URMS/UINF (PERCENT)
00	20.4	12.7	58.7
2	41.6	19.2	99.4
4	21.1	11.9	56.9
6	23.3	6.9	43.3
8	32.0	10.9	64.8
10	37.7	9.9	75.3
11	32.0	9.9	64.8
12	43.3	12.7	84.4
13	54.7	14.4	100.9
14	58.3	17.7	115.8
15	40.1	14.9	88.4
16	25.5	10.4	58.7
17	18.0	8.4	44.5
18	21.1	10.8	55.1
19	28.6	12.2	73.7
20	23.0	11.1	62.2
21	15.3	7.4	43.6

LOCATION 7

WIND AZIMUTH	UMEAN/UINF (PERCENT)	URMS/UINF (PERCENT)	UMEAN+3*URMS/UINF (PERCENT)
00	11.9	5.6	28.9
2	14.8	8.1	39.1
4	9.9	5.3	25.5
6	8.5	4.0	20.5
8	12.6	7.9	33.6
10	12.6	6.8	33.6
11	14.3	7.4	36.6
12	16.5	9.2	44.6
13	34.7	18.6	90.6
14	21.5	12.6	59.6
15	20.0	10.6	55.6
16	14.5	7.9	41.7
17	13.1	7.7	39.1
18	17.0	9.1	44.4
19	18.7	10.6	50.3
20	19.8	11.1	53.2

LOCATION 8

WIND AZIMUTH	UMEAN/UINF (PERCENT)	URMS/UINF (PERCENT)	UMEAN+3*URMS/UINF (PERCENT)
00	48.2	14.5	91.9
2	38.4	12.6	76.3
4	27.2	11.0	60.6
6	6.1	3.4	18.5
8	6.8	4.4	21.9
10	8.4	4.4	22.1
11	9.7	5.4	25.5
12	14.2	9.3	38.4
13	25.1	13.3	66.6
14	32.3	11.1	75.3
15	25.5	11.1	66.6
16	24.7	10.8	64.8
17	10.6	9.9	43.3
18	20.0	9.9	55.1
19	31.0	12.6	73.7
20	42.0	12.1	88.2

TABLE 2--PEDESTRIAN WIND VELOCITIES AND TURBULENCE INTENSITIES
 MAIN PLACE HOTEL, DALLAS--CONFIGURATION B

LOCATION 9

WIND AZIMUTH	UMEAN/UINF (PERCENT)	URMS/UINF (PERCENT)	UMEAN+3*URMS/UINF (PERCENT)
00	15.2	9.2	42.7
22.50	16.1	9.0	43.1
45.00	22.5	11.2	50.6
67.50	9.2	10.5	24.9
90.00	8.0	4.4	20.1
112.50	9.4	4.0	20.9
135.00	10.9	3.1	22.7
157.50	11.3	3.0	22.8
180.00	9.9	3.6	22.5
202.50	13.7	6.0	34.0
225.00	21.0	4.4	46.1
247.50	23.7	10.1	54.0
270.00	23.2	10.0	53.0
292.50	17.2	10.1	43.3
315.00	13.0	8.0	37.7
337.50	13.4	8.5	39.0

LOCATION 10

WIND AZIMUTH	UMEAN/UINF (PERCENT)	URMS/UINF (PERCENT)	UMEAN+3*URMS/UINF (PERCENT)
00	39.9	12.9	78.7
22.50	47.0	15.8	94.5
45.00	48.4	15.8	95.6
67.50	13.2	6.8	33.8
90.00	27.8	10.9	60.5
112.50	35.7	11.8	71.2
135.00	35.2	11.4	67.9
157.50	35.0	13.9	76.7
180.00	35.3	11.3	69.3
202.50	33.0	6.2	31.6
225.00	27.0	10.3	57.9
247.50	40.9	14.0	83.0
270.00	43.7	11.7	78.9
292.50	40.8	9.3	76.7
315.00	40.0	9.9	79.7
337.50	49.6	13.2	89.3

LOCATION 11

WIND AZIMUTH	UMEAN/UINF (PERCENT)	URMS/UINF (PERCENT)	UMEAN+3*URMS/UINF (PERCENT)
00	22.2	10.2	52.9
22.50	26.9	11.7	61.8
45.00	20.0	10.8	46.4
67.50	14.4	10.9	32.3
90.00	33.2	11.1	62.2
112.50	37.7	12.4	74.9
135.00	38.9	10.9	71.7
157.50	41.4	14.0	82.9
180.00	36.3	14.0	74.3
202.50	33.7	14.6	68.1
225.00	16.6	14.4	33.9
247.50	18.6	16.6	44.4
270.00	20.0	16.0	46.7
292.50	16.6	16.4	40.6
315.00	16.2	16.6	44.3
337.50	18.2	17.7	44.4

LOCATION 12

WIND AZIMUTH	UMEAN/UINF (PERCENT)	URMS/UINF (PERCENT)	UMEAN+3*URMS/UINF (PERCENT)
00	40.6	16.5	90.0
22.50	22.3	9.1	49.6
45.00	15.4	5.1	30.6
67.50	12.1	3.7	23.1
90.00	17.2	15.1	112.4
112.50	17.1	6.3	36.1
135.00	16.4	6.2	34.9
157.50	17.2	6.7	37.3
180.00	19.4	8.2	44.0
202.50	17.5	7.7	39.0
225.00	15.9	6.9	36.6
247.50	15.4	6.5	35.5
270.00	14.4	6.0	34.7
292.50	14.1	6.0	34.7
315.00	19.9	9.7	48.8
337.50	19.6	10.2	50.3

TABLE 2--PEDESTRIAN WIND VELOCITIES AND TURBULENCE INTENSITIES
MAIN PLACE HOTEL, DALLAS--CONFIGURATION B

LOCATION 13

WIND AZIMUTH	UMEAN/UINF (PERCENT)	URMS/UINF (PERCENT)	UMEAN+3*URMS/UINF (PERCENT)
.00	35.4	12.9	74.1
22.50	33.5	14.4	76.8
45.00	27.2	11.0	60.4
67.50	20.9	10.4	52.2
90.00	24.9	9.8	54.2
112.50	24.9	8.9	51.3
135.00	25.0	8.9	51.9
157.50	25.0	9.1	52.2
180.00	26.0	10.2	56.5
202.50	25.9	9.7	54.9
225.00	20.0	8.2	44.5
247.50	21.7	8.8	48.1
270.00	27.7	11.6	62.5
292.50	23.6	11.5	58.0
315.00	28.8	12.1	64.2
337.50	28.8	12.1	65.1

LOCATION 14

WIND AZIMUTH	UMEAN/UINF (PERCENT)	URMS/UINF (PERCENT)	UMEAN+3*URMS/UINF (PERCENT)
.00	33.8	12.5	71.3
22.50	42.0	15.7	89.0
45.00	28.7	9.6	57.6
67.50	18.0	5.7	35.1
90.00	24.3	9.3	52.1
112.50	23.2	10.5	56.7
135.00	23.9	9.5	51.5
157.50	25.0	10.4	56.3
180.00	33.3	13.4	72.4
202.50	36.9	15.7	84.1
225.00	27.9	9.0	55.1
247.50	47.9	13.0	86.8
270.00	48.8	16.5	98.4
292.50	33.3	14.6	78.9
315.00	35.5	14.2	77.7
337.50	32.5	12.6	70.2

LOCATION 15

WIND AZIMUTH	UMEAN/UINF (PERCENT)	URMS/UINF (PERCENT)	UMEAN+3*URMS/UINF (PERCENT)
.00	29.2	13.6	70.0
22.50	31.9	15.4	78.0
45.00	18.6	9.0	45.6
67.50	14.6	5.3	30.5
90.00	22.3	8.4	47.5
112.50	22.1	9.8	51.4
135.00	21.1	9.0	48.1
157.50	24.3	10.0	54.3
180.00	23.9	9.1	51.2
202.50	26.5	10.4	57.8
225.00	22.1	8.8	48.5
247.50	30.0	12.1	66.4
270.00	40.1	15.6	86.9
292.50	38.6	14.7	82.7
315.00	55.5	17.7	108.8
337.50	33.2	17.8	86.5

LOCATION 16

WIND AZIMUTH	UMEAN/UINF (PERCENT)	URMS/UINF (PERCENT)	UMEAN+3*URMS/UINF (PERCENT)
.00	39.9	11.2	73.5
22.50	41.2	12.8	79.8
45.00	19.9	8.5	45.3
67.50	15.5	6.2	34.1
90.00	18.6	6.6	38.4
112.50	20.9	6.7	41.1
135.00	19.3	7.1	40.6
157.50	21.7	8.6	47.6
180.00	23.1	9.6	51.9
202.50	21.6	10.7	53.7
225.00	20.1	8.2	44.8
247.50	23.6	7.6	46.5
270.00	28.9	9.1	54.2
292.50	28.4	9.5	57.0
315.00	34.0	10.3	64.9
337.50	39.3	13.0	78.2

TABLE 2--PEDESTRIAN WIND VELOCITIES AND TURBULENCE INTENSITIES
 MAIN PLACE HOTEL, DALLAS--CONFIGURATION B

LOCATION 17

WIND AZIMUTH	UMEAN/UINF (PERCENT)	URMS/UINF (PERCENT)	UMEAN+3*URMS/UINF (PERCENT)
.00	85.2	20.8	147.6
22.50	66.1	20.1	126.5
45.00	11.5	6.5	31.1
67.50	18.8	10.0	48.8
90.00	20.4	11.4	54.5
112.50	22.9	13.1	62.2
135.00	40.0	22.4	107.5
157.50	44.5	23.1	113.9
180.00	33.3	17.2	104.8
202.50	49.9	15.9	106.7
225.00	49.5	20.2	110.0
247.50	47.5	18.2	102.2
270.00	55.1	12.8	63.6
292.50	36.7	12.5	63.3
315.00	33.7	18.6	89.3
337.50	66.2	20.0	96.3

LOCATION 18

WIND AZIMUTH	UMEAN/UINF (PERCENT)	URMS/UINF (PERCENT)	UMEAN+3*URMS/UINF (PERCENT)
.00	74.4	24.6	148.1
22.50	32.5	18.5	88.0
45.00	10.2	5.4	26.5
67.50	12.5	6.9	33.3
90.00	23.4	14.8	67.9
112.50	56.1	25.4	132.2
135.00	57.7	23.4	128.3
157.50	49.5	30.5	141.0
180.00	35.0	21.0	98.0
202.50	30.9	13.9	72.5
225.00	33.1	17.1	84.3
247.50	37.6	18.7	93.8
270.00	54.6	17.2	106.3
292.50	58.0	12.0	94.9
315.00	61.2	15.0	107.2
337.50	52.9	19.7	112.0

TABLE 3

ANNUAL PERCENTAGE FREQUENCIES OF WIND DIRECTION AND SPEED

Based on Summary of Hourly Observations

Love Field, Dallas

1951-1960

Anemometer Elevation = 45 ft above ground

Annual Hourly Observations of Wind Speed - Miles Per Hour

<u>Direction</u>	<u>0-3</u>	<u>4-7</u>	<u>8-12</u>	<u>13-18</u>	<u>19-24</u>	<u>25-31</u>	<u>32-38</u>	<u>39-46</u>	<u>Total</u>
N	0.6	1.5	1.9	1.5	0.5	0.1	0.0		6.1
NNE	0.5	1.4	1.5	1.1	0.3	0.1			4.9
NE	0.7	2.2	1.6	0.7	0.3	0.0		0.0	5.5
ENE	0.3	1.1	1.4	0.6	0.2	0.0			3.6
E	0.4	1.3	1.5	0.5	0.2	0.0			4.0
ESE	0.3	1.3	2.2	0.9	0.3	0.1			5.0
SE	0.6	2.9	5.4	3.3	0.5	0.1	0.0		12.8
SSE	0.3	1.7	5.2	6.4	1.7	0.2	0.1	0.0	15.7
S	0.6	1.9	4.9	6.0	2.1	0.3	0.1	0.0	15.8
SSW	0.3	0.9	1.5	2.0	0.7	0.1	0.0		5.5
SW	0.6	1.1	1.2	0.9	0.3	0.1	0.0	0.0	4.2
WSW	0.2	0.4	0.3	0.4	0.2	0.0	0.0	0.0	1.4
W	0.3	0.6	0.5	0.3	0.2	0.1	0.0	0.0	2.0
WNW	0.3	0.5	0.6	0.5	0.3	0.1	0.0		2.3
NW	0.5	1.1	1.1	1.1	0.5	0.1	0.1	0.0	4.5
NNW	0.4	1.1	1.5	1.4	0.6	0.1	0.1		5.1
CALM	1.8								1.8
Total	8.5	20.9	32.2	27.7	8.8	1.3	0.4	0.2	100

Note: 0.0 indicates values less than 0.05

TABLE 4
SUMMARY OF WIND EFFECTS ON PEOPLE

	<u>Beaufort number</u>	<u>Speed (mph)</u>	<u>Effects</u>
Calm, light air	0,1	0- 3	Calm, no noticeable wind
Light breeze	2	4- 7	Wind felt on face
Gentle breeze	3	8-12	Wind extends light flag Hair is disturbed Clothing flaps
Moderate breeze	4	13-18	Raises dust, dry soil and loose paper Hair disarranged
Fresh breeze	5	19-24	Force of wind felt on body Drifting snow becomes airborne Limit of agreeable wind on land
Strong breeze	6	25-31	Umbrellas used with difficulty Hair blown straight Difficult to walk steadily Wind noise on ears unpleasant Windborne snow above head height (blizzard)
Near gale	7	32-38	Inconvenience felt when walking
Gale	8	39-46	Generally impedes progress Great difficulty with balance in gusts
Strong gale	9	47-54	People blown over by gusts

Note: Table from Reference 4, p. 40

TABLE 5
CALCULATION OF REFERENCE PRESSURE

1. Basic wind speed from ANSI A58.1 (Ref. 5):

50-yr fastest mile at 30 ft = 70 mph

$$\text{Mean hourly wind speed} = \frac{75}{1.25} = 56.0 \text{ mph}$$

$$\text{Mean hourly gradient wind speed} = 56.0 \left(\frac{1000}{30}\right)^{.17} = 101.6 \text{ mph}$$

Mean hourly wind at ref location U_{∞} = gradient wind

$$\text{Reference pressure} = 0.5 \rho U_{\infty}^2 = (0.00256) (101.6)^2 = 26.5 \text{ psf}$$

$$\text{Use reference pressure} = \underline{\underline{27 \text{ psf}}}$$

2. Reduction of cladding peak pressures to 1 minute equivalent load for glass: multiply by glass load factor = 0.73 (Ref. 8)
3. Loads for 100-yr recurrence wind:
100-yr fastest mile at 30 ft = 70 mph (Ref. 5)
no change in load.
4. Gust load factors to convert hourly mean integrated loads to various gust durations (see Sect. 4.4):

<u>Gust Duration, sec</u>	<u>Gust Load Factor</u>
10-15	$(1.4)^2 = 1.96$
30	$(1.32)^2 = 1.74$
45	$(1.26)^2 = 1.59$

30 sec duration load factor was used in Table 7 resulting in equivalent reference pressure of $(1.74) (26.5) = 46 \text{ psf}$

TABLE 6 -- PEAK LOADS-- CONFIGURATION A -- MAIN PLACE HOTEL -- DALLAS , TEXAS
 LARGEST VALUE OF ABS(CPMAX) OR ABS(CPMIN) AND PSF LOAD FOR REFERENCE PRESSURE = 27 PSF, GLASS LOAD FACTOR = 0.73

TAP	AZI- MUTH	PRESS COEFF	PSF LOAD	TAP	AZI- MUTH	PRESS COEFF	PSF LOAD	TAP	AZI- MUTH	PRESS COEFF	PSF LOAD	TAP	AZI- MUTH	PRESS COEFF	PSF LOAD
1	225	1.82	36.4	51	15	1.53	32.6	101	30	1.72	34.3	151	15	1.33	26.5
2	120	2.06	41.1	52	15	1.56	31.1	102	15	1.69	33.9	152	15	1.62	32.5
3	345	1.17	23.4	53	30	1.63	32.6	103	30	1.67	33.5	153	30	1.58	31.6
4	225	1.15	23.1	54	30	1.43	28.5	104	30	1.99	39.8	154	15	1.58	31.5
5	15	1.31	26.2	55	30	1.49	29.8	105	30	2.59	51.8	155	345	1.62	32.4
6	15	1.17	23.4	56	15	1.74	34.8	106	225	1.81	36.2	156	30	1.94	38.8
7	15	1.21	24.2	57	15	1.79	35.8	107	120	1.56	31.2	157	30	2.37	47.4
8	15	1.22	24.4	58	30	1.11	22.4	108	225	1.12	22.4	158	30	2.82	56.4
9	15	1.63	32.6	59	30	1.27	25.5	109	225	1.11	22.3	159	120	1.16	23.2
10	15	1.77	35.4	60	15	1.15	23.1	110	225	1.07	21.5	160	15	1.41	28.3
11	15	1.51	30.3	61	120	1.19	23.8	111	240	1.12	22.5	161	15	1.14	22.7
12	15	1.37	27.7	62	15	1.18	23.6	112	15	1.12	22.4	162	15	1.02	20.3
13	15	1.35	27.7	63	30	1.33	26.6	113	15	1.08	21.6	163	15	1.14	22.8
14	15	1.11	22.5	64	30	1.11	22.6	114	225	.97	19.4	164	15	1.77	35.3
15	30	1.48	29.8	65	15	1.11	22.6	115	225	.97	19.3	165	15	1.53	30.6
16	30	1.11	22.5	66	15	1.11	22.6	116	120	.93	18.7	166	15	1.51	30.1
17	30	1.11	22.5	67	15	1.11	22.6	117	120	1.00	20.0	167	15	1.47	29.4
18	15	1.11	22.5	68	120	1.11	22.6	118	120	.96	19.3	168	15	1.40	28.0
19	30	2.22	44.4	69	120	1.11	22.6	119	120	.97	19.4	169	15	1.19	23.7
20	30	1.11	22.5	70	120	1.33	26.6	120	120	1.01	20.1	170	15	1.35	27.0
21	30	2.22	44.4	71	120	1.33	26.6	121	135	1.11	22.1	171	150	1.06	21.2
22	345	1.11	22.5	72	120	1.11	22.5	122	165	.95	19.1	172	150	1.16	23.1
23	15	1.11	22.5	73	30	1.11	22.5	123	180	1.10	22.0	173	120	1.19	23.8
24	15	1.11	22.5	74	30	1.11	22.5	124	30	1.13	22.6	174	15	1.36	27.2
25	15	1.11	22.5	75	30	1.11	22.5	125	30	1.17	23.4	175	15	1.22	24.5
26	15	1.11	22.5	76	120	1.11	22.5	126	15	1.26	25.2	176	15	1.15	23.0
27	15	1.11	22.5	77	15	1.11	22.5	127	30	1.77	35.5	177	15	1.25	25.0
28	15	1.11	22.5	78	30	1.11	22.5	128	15	1.66	33.2	178	15	1.44	28.7
29	15	1.11	22.5	79	15	1.11	22.5	129	15	1.52	30.5	179	15	1.55	31.1
30	15	1.11	22.5	80	225	1.11	22.5	130	15	1.62	32.4	180	15	1.42	28.4
31	15	1.11	22.5	81	120	1.11	22.5	131	30	2.70	53.9	181	15	1.44	28.7
32	15	1.11	22.5	82	240	1.11	22.5	132	225	1.86	37.1	182	30	1.71	34.1
33	15	1.11	22.5	83	240	1.11	22.5	133	120	1.56	31.1	183	15	2.05	41.0
34	15	1.11	22.5	84	240	1.11	22.5	134	225	1.20	24.1	184	165	1.31	26.2
35	15	1.11	22.5	85	40	1.11	22.5	135	225	1.22	24.4	185	15	1.28	25.5
36	15	1.11	22.5	86	15	1.11	22.5	136	225	.91	18.3	186	15	1.40	28.0
37	30	1.11	22.5	87	120	1.11	22.5	137	2	1.11	22.2	187	15	1.40	27.9
38	30	1.11	22.5	88	120	1.11	22.5	138	15	1.23	24.2	188	15	2.08	41.7
39	225	1.11	22.5	89	120	1.16	23.1	139	15	1.11	22.3	189	15	1.26	25.3
40	105	1.11	22.5	90	120	1.10	22.1	140	15	.95	18.9	190	15	1.19	23.8
41	0	1.11	22.5	91	120	1.10	22.2	141	30	.99	19.9	191	15	1.41	28.1
42	240	1.11	22.5	92	150	1.05	21.1	142	30	.88	17.7	192	15	1.43	28.6
43	15	1.11	22.5	93	135	1.07	21.3	143	120	.90	17.9	193	15	1.48	29.7
44	15	1.11	22.5	94	150	1.09	21.1	144	165	.90	18.1	194	315	1.94	38.8
45	225	1.11	22.5	95	150	1.09	21.1	145	165	.88	17.6	195	150	1.50	30.1
46	15	1.11	22.5	96	165	1.14	22.2	146	165	.87	17.4	196	15	1.42	28.4
47	225	1.11	22.5	97	30	1.11	22.2	147	165	.87	17.4	197	240	1.18	23.5
48	225	1.11	22.5	98	30	1.08	21.7	148	15	1.22	24.5	198	240	1.09	21.8
49	15	1.11	22.5	99	30	1.23	24.4	149	15	1.37	27.3	199	240	1.04	20.8
50	15	1.11	22.5	100	30	1.39	31.7	150	15	1.38	27.6	200	15	1.58	31.5

TABLE 6 -- PEAK LOADS-- CONFIGURATION A -- MAIN PLACE HOTEL -- DALLAS , TEXAS
 LARGEST VALUE OF ABS(CPMAX) OR ABS(CPMIN) AND PSF LOAD FOR REFERENCE PRESSURE = 27 PSF, GLASS LOAD FACTOR = 0.73

TAP	AZI-MUTH	PRESS COEFF	PSF LOAD	TAP	AZI-MUTH	PRESS COEFF	PSF LOAD	TAP	AZI-MUTH	PRESS COEFF	PSF LOAD	TAP	AZI-MUTH	PRESS COEFF	PSF LOAD
201	0	1.73	34.6	335	255	1.07	21.4	410	330	1.55	31.0	502	30	1.59	31.8
202	15	1.53	30.7	336	255	1.07	21.4	411	330	1.87	37.5	503	165	2.25	44.9
203	15	1.53	30.7	337	255	1.10	22.1	412	345	1.45	29.0	504	90	1.14	22.7
204	15	1.53	30.7	338	255	1.46	29.2	413	1500	1.47	29.4	505	90	1.14	22.7
205	15	2.03	40.6	339	255	1.70	33.9	414	1500	1.43	29.0	506	165	1.40	29.9
206	315	1.91	18.2	340	255	1.91	38.3	415	165	1.65	33.0	507	240	1.19	23.8
207	120	1.49	22.8	341	120	1.41	28.2	416	165	1.65	33.1	508	210	1.49	29.3
208	15	1.13	22.6	342	90	1.44	28.9	417	180	1.95	38.9	509	15	1.93	38.8
209	15	1.14	22.9	343	105	1.36	27.2	418	180	1.94	38.9	510	15	2.84	56.6
210	120	1.18	23.3	344	135	1.15	23.0	419	345	1.63	32.6	511	15	1.74	34.7
211	120	1.09	21.8	345	135	1.11	23.0	420	330	1.60	32.0	512	15	2.25	45.0
212	15	1.55	31.0	346	111	1.89	17.8	421	345	1.60	32.0	513	15	1.54	30.8
213	15	1.55	31.0	347	111	1.89	17.8	422	345	1.61	32.1	514	120	1.52	30.6
214	15	1.16	22.0	348	225	1.00	30.0	423	165	1.60	32.0	515	120	1.53	30.6
215	15	1.12	22.4	349	225	1.00	30.0	424	165	1.52	30.4	516	15	1.55	30.0
216	165	1.74	32.4	350	225	1.00	30.0	425	165	1.63	32.6	517	15	1.60	32.0
301	90	1.49	22.9	351	15	1.33	27.3	426	15	1.51	30.2	518	30	2.53	52.6
302	90	1.13	22.2	352	15	1.33	27.3	427	15	1.77	33.5	519	15	2.70	54.4
303	90	1.17	23.3	353	150	1.45	28.9	428	330	1.63	32.7	520	15	1.25	22.5
304	105	1.20	24.4	354	135	1.33	24.5	429	330	2.09	41.8	521	30	1.58	30.6
305	120	1.23	24.6	355	111	1.24	24.8	430	345	1.67	33.4	522	15	1.42	25.5
306	120	1.09	22.4	356	111	1.24	24.8	431	345	1.83	36.5	523	15	1.23	22.3
307	120	1.09	22.4	357	111	1.24	24.8	432	165	1.72	34.4	524	15	1.18	22.0
308	270	1.32	22.6	358	40	1.99	19.9	433	165	1.72	34.4	525	15	1.52	30.4
309	270	1.11	22.6	359	40	1.99	19.9	434	180	1.53	30.6	526	345	1.48	29.6
310	120	1.26	23.3	360	240	1.90	24.0	435	165	2.14	42.7	527	30	1.66	33.3
311	90	1.22	24.4	361	150	1.60	32.0	436	180	1.66	33.2	528	30	1.80	33.5
312	90	1.22	24.4	362	150	1.46	29.1	437	345	1.93	38.6	529	30	1.54	25.0
313	90	1.21	24.4	363	150	1.77	35.3	438	345	1.85	36.9	530	150	1.51	28.8
314	0	1.11	22.2	364	150	2.27	25.5	439	345	1.86	37.2	531	165	1.41	25.1
315	0	1.03	20.7	365	135	1.00	20.0	440	0	1.78	35.6	532	150	1.53	25.5
316	345	1.01	22.2	366	165	1.00	21.1	441	16	1.80	35.9	533	0	1.29	22.9
317	345	1.07	22.1	367	165	1.00	21.1	442	165	1.75	35.0	534	0	1.29	22.9
318	345	1.15	22.3	368	240	1.00	22.0	443	165	2.33	46.6	535	345	1.18	22.7
319	270	1.16	23.2	369	150	1.33	31.3	444	165	2.42	48.3	536	345	1.33	26.6
320	315	1.12	22.2	370	150	1.38	27.6	445	165	1.72	34.4	537	30	1.84	36.8
321	90	1.71	34.2	371	150	1.46	29.3	446	345	2.62	52.4	538	150	1.65	33.3
322	105	1.77	35.5	372	150	1.50	30.1	447	345	2.01	40.1	539	165	1.36	27.1
323	105	1.43	28.7	373	165	1.15	22.9	448	345	1.48	29.6	540	345	1.49	29.9
324	105	1.42	28.8	374	165	1.09	19.7	449	15	1.37	27.4	541	345	2.14	42.8
325	0	1.05	21.1	375	0	1.95	19.1	450	15	1.23	24.6	542	345	1.47	25.9
326	225	1.06	21.3	401	33	1.11	11.4	451	15	1.46	29.2	543	345	1.68	33.5
327	270	1.15	22.3	402	33	1.06	10.7	452	15	1.59	31.7	544	345	1.26	22.2
328	270	1.35	27.0	403	34	1.33	30.4	453	165	1.47	29.3	545	15	1.79	33.0
329	270	1.43	28.8	404	34	1.43	29.8	4534	165	1.76	35.1	546	30	1.54	25.0
330	165	2.12	42.3	405	34	1.11	11.0	455	165	1.94	38.7	547	15	1.63	32.7
331	90	1.58	31.6	406	345	1.81	36.1	456	165	1.94	38.8	548	0	1.18	23.3
332	105	1.62	32.4	407	165	1.74	34.7	457	165	2.30	45.9	549	150	1.27	25.4
333	120	1.37	27.5	408	165	1.74	34.8	458	165	2.04	40.8	550	345	1.50	30.0
334	0	1.14	22.9	409	180	2.18	43.6	501	165	1.94	38.8	551	345	1.53	30.5

TABLE 6 -- PEAK LOADS-- CONFIGURATION A -- MAIN PLACE HOTEL -- DALLAS , TEXAS
 LARGEST VALUE OF ABS(CPMAX) OR ABS(CPMIN) AND PSF LOAD FOR REFERENCE PRESSURE = 27 PSF, GLASS LOAD FACTOR = 0.73

TAP	AZI-MUTH	PRESS COEFF	PSF LOAD	TAP	AZI-MUTH	PRESS COEFF	PSF LOAD	TAP	AZI-MUTH	PRESS COEFF	PSF LOAD	TAP	AZI-MUTH	PRESS COEFF	PSF LOAD
552	30	1.88	37.6	624	165	1.29	25.8	651	180	.93	18.5	723	120	1.25	25.0
553	315	1.86	37.1	625	165	1.28	25.6	652	180	.69	13.8	724	345	.97	19.3
554	330	1.85	33.1	626	345	1.22	24.4	653	180	.78	15.5	725	165	.83	16.8
555	300	3.47	69.4	627	345	1.00	20.1	654	180	1.05	21.0	726	165	.96	19.3
601	2270	1.74	34.7	628	0	.73	14.5	655	180	1.07	21.4	727	15	1.26	23.1
602	2270	2.15	42.9	629	30	.68	13.5	701	15	1.64	32.7	728	15	.95	19.0
603	2270	1.67	33.4	630	120	.82	16.3	702	15	1.11	22.3	729	0	.83	16.6
604	2270	1.49	29.8	631	120	.94	18.8	703	30	1.20	24.1	730	15	.88	17.6
605	2270	1.71	34.2	632	150	1.21	24.1	704	15	1.61	32.2	731	15	1.61	32.1
606	2270	1.29	25.8	633	150	1.31	26.1	705	135	1.60	32.1	732	15	1.62	32.4
607	2270	1.27	25.4	634	150	1.31	26.1	706	300	1.30	26.0	733	15	1.54	30.7
608	345	1.02	20.7	635	345	1.82	36.4	707	15	1.22	24.4	734	15	1.33	22.5
609	345	1.93	38.5	636	345	1.05	21.0	708	15	2.04	40.8	735	15	1.29	25.8
610	345	1.90	38.3	637	345	.72	14.4	709	15	1.40	28.1	736	15	1.51	30.8
611	345	1.48	29.6	638	345	.71	14.1	710	15	1.60	31.9	737	315	1.51	30.3
612	345	1.20	23.9	639	1344	.74	14.7	711	15	1.86	37.3	738	330	1.23	24.0
613	345	1.03	20.6	640	150	.85	17.0	712	330	1.50	30.0	739	15	1.13	23.0
614	345	1.00	20.0	641	150	1.09	21.7	713	30	.95	19.0	740	330	1.63	32.5
615	345	1.68	33.6	642	270	1.31	26.1	715	120	1.11	22.3	741	345	1.18	23.6
616	345	1.44	28.8	643	150	1.99	19.7	716	180	.84	16.9	742	15	1.25	25.1
617	345	1.44	28.8	644	0	1.58	31.5	717	135	1.09	21.8	743	315	1.71	34.3
618	345	1.33	22.6	645	0	1.54	30.6	718	120	1.05	20.9	744	0	1.33	22.6
619	15	.94	18.9	646	0	1.99	30.9	719	120	1.17	23.4	745	0	1.40	23.7
620	0	.78	15.2	647	240	.81	16.2	720	150	1.51	30.2	746	0	1.35	22.9
621	285	.92	18.3	648	240	.92	18.5	721	15	.96	19.2	747	330	1.26	23.1
622	150	1.05	21.0	649	180	.96	19.2	722	180	.79	15.7	748	330	.86	17.1
623	150	1.13	23.0	650	165	.99	19.7								

TABLE 6 --

PEAK LOADS-- CONFIGURATION B -- MAIN PLACE HOTEL -- DALLAS , TEXAS
 LARGEST VALUE OF ABS(CPMAX) OR ABS(CPMIN) AND PSF LOAD FOR REFERENCE PRESSURE = 27 PSF, GLASS LOAD FACTOR = 0.73

TAP	AZI-MUTH	PRESS COEFF	PSF LOAD	TAP	AZI-MUTH	PRESS COEFF	PSF LOAD	TAP	AZI-MUTH	PRESS COEFF	PSF LOAD	TAP	AZI-MUTH	PRESS COEFF	PSF LOAD
1	225	1.73	34.6	51	30	1.47	29.4	101	30	1.55	31.0	151	30	1.21	24.3
2	120	1.33	24.4	52	30	1.11	30.4	102	30	1.76	35.1	152	30	1.49	29.9
3	210	2.22	44.6	53	30	1.60	32.0	103	30	1.50	30.0	153	15	1.18	23.5
4	210	1.38	27.4	54	30	1.51	30.2	104	30	2.03	40.5	154	0	1.21	24.1
5	225	1.22	24.4	55	30	1.80	36.0	105	30	2.22	44.3	155	330	1.27	25.4
6	225	1.18	23.6	56	30	1.74	34.8	106	240	2.06	41.1	156	165	1.72	34.5
7	225	1.20	23.3	57	30	1.51	30.3	107	240	1.67	33.4	157	30	1.92	38.5
8	225	1.11	20.0	58	30	1.86	37.2	108	240	1.01	20.2	158	300	2.04	40.9
9	225	1.11	20.0	59	30	1.31	26.2	109	240	.93	18.6	159	150	1.33	26.5
10	225	1.11	20.0	60	30	1.66	33.3	110	180	.94	18.7	160	300	.89	17.9
11	150	1.32	26.4	61	210	1.49	29.9	111	180	1.26	25.2	161	315	.84	16.7
12	240	1.42	29.4	62	225	1.11	21.9	112	300	1.23	25.1	162	330	.83	16.6
13	30	1.28	23.3	63	15	1.15	22.2	113	30	1.03	20.7	163	195	.95	19.0
14	30	1.31	23.3	64	30	1.08	21.6	114	30	.89	17.7	164	15	1.68	33.6
15	15	1.32	23.3	65	15	1.03	20.7	115	30	.95	18.9	165	15	1.50	30.0
16	30	1.11	20.0	66	30	1.03	20.7	116	15	.81	16.3	166	15	1.33	26.6
17	30	1.11	20.0	67	90	1.16	23.2	117	120	.89	17.7	167	15	1.27	25.4
18	15	1.11	20.0	68	105	.81	16.1	118	120	.74	14.8	168	15	1.32	26.4
19	30	1.11	20.0	69	150	.98	19.7	119	120	.75	15.0	169	0	1.05	21.0
20	135	1.73	33.6	70	150	.94	19.3	120	15	.88	16.3	170	15	1.03	20.6
21	30	2.87	56.3	71	150	.97	19.3	121	15	.88	16.3	171	15	1.04	20.8
22	210	1.15	23.3	72	150	.98	19.6	122	30	.92	18.3	172	15	1.09	21.8
23	210	1.55	31.0	73	165	1.26	25.1	123	30	1.12	22.4	173	15	1.09	21.9
24	210	1.44	27.7	74	30	1.23	24.6	124	30	1.11	22.1	174	15	1.11	22.1
25	225	1.45	28.9	75	225	1.40	28.1	125	30	1.15	23.1	175	15	1.15	23.1
26	225	1.40	27.0	76	225	1.30	26.0	126	30	1.18	23.6	176	15	1.04	20.9
27	225	1.36	26.0	77	15	1.42	28.5	127	15	1.72	34.4	177	0	1.03	20.5
28	225	1.42	27.3	78	30	1.47	29.3	128	30	1.91	38.3	178	0	1.39	27.7
29	225	1.41	27.3	79	30	1.11	22.8	129	30	1.87	37.4	179	0	1.12	22.5
30	180	1.97	44.4	80	210	1.11	22.8	130	15	1.47	29.5	180	15	1.15	22.3
31	225	1.46	28.8	81	150	1.11	22.8	131	15	2.43	49.1	181	0	1.22	24.4
32	225	1.39	26.8	82	210	1.19	23.8	132	330	1.58	31.6	182	180	1.75	34.9
33	15	1.73	33.6	83	210	1.22	24.4	133	150	1.41	28.3	183	15	1.77	35.3
34	225	1.46	28.8	84	210	1.03	21.0	134	15	1.17	23.4	184	15	1.04	20.7
35	30	1.51	30.2	85	180	1.18	23.3	135	240	1.00	20.0	185	0	1.06	21.2
36	30	1.51	30.2	86	15	1.15	23.0	136	330	.83	16.6	186	15	1.05	20.9
37	30	1.66	33.3	87	0	.96	19.1	137	195	1.08	21.6	187	15	1.29	25.8
38	30	1.69	33.3	88	30	.92	18.4	138	15	1.24	24.8	188	15	1.61	32.2
39	225	1.66	33.3	89	30	.86	17.2	139	15	1.18	23.6	189	225	1.90	38.0
40	210	1.47	28.8	90	30	.92	19.3	140	30	1.06	21.2	190	0	.94	18.8
41	210	1.75	33.0	91	330	.82	16.4	141	30	.94	18.7	191	30	.95	19.0
42	210	1.66	33.0	92	330	.96	19.6	142	0	.91	18.1	192	15	1.57	31.5
43	180	1.39	27.9	93	30	.99	19.9	143	30	.81	16.3	193	15	1.35	27.0
44	225	1.35	27.0	94	30	.91	18.3	144	165	.86	17.2	194	300	1.12	22.3
45	165	1.66	33.3	95	30	.92	18.3	145	165	.82	16.5	195	150	1.48	29.5
46	180	1.32	26.5	96	30	.88	17.6	146	165	.76	15.2	196	300	1.11	22.1
47	180	1.56	33.3	97	30	.98	19.6	147	15	.80	16.0	197	315	.98	19.7
48	225	1.54	33.3	98	30	1.12	22.2	148	30	.91	18.3	198	285	1.14	22.7
49	225	1.40	28.8	99	30	1.29	26.5	149	30	.97	19.5	199	240	1.08	21.7
50	225	1.41	28.8	100	30	1.61	32.2	150	30	1.01	20.5	200	15	1.39	27.8

TABLE 6 --

PEAK LOADS-- CONFIGURATION B -- MAIN PLACE HOTEL -- DALLAS, TEXAS
 LARGEST VALUE OF ABS(CPMAX) OR ABS(CPMIN) AND PSF LOAD FOR REFERENCE PRESSURE = 27 PSF, GLASS LOAD FACTOR = 0.73

TAP	AZI-MUTH	PRESS COEFF	PSF LOAD	TAP	AZI-MUTH	PRESS COEFF	PSF LOAD	TAP	AZI-MUTH	PRESS COEFF	PSF LOAD	TAP	AZI-MUTH	PRESS COEFF	PSF LOAD
201	0	1.41	28.1	335	255	1.15	22.9	410	180	1.28	25.6	502	30	1.37	27.5
202	15	1.47	29.4	336	255	1.22	24.5	411	330	1.31	26.2	503	30	1.99	39.7
203	15	1.36	27.1	337	255	1.17	23.3	412	330	1.06	21.2	504	30	1.98	39.5
204	180	1.56	31.2	338	270	1.11	24.0	413	330	1.14	22.7	505	180	1.81	36.3
205	15	1.82	36.4	339	255	1.11	23.3	414	330	1.15	23.0	506	345	1.85	36.9
206	225	1.01	20.2	340	270	1.11	23.3	415	330	1.09	21.7	507	15	1.96	39.2
207	150	1.24	24.7	341	135	1.11	23.3	416	165	1.13	22.6	508	15	1.31	26.2
208	285	1.97	39.4	342	150	1.11	23.3	417	0	1.46	29.3	509	15	1.92	38.5
209	30	1.95	39.1	343	150	1.11	23.3	418	195	1.55	31.0	510	15	2.41	48.1
210	30	1.91	38.8	344	135	1.11	23.3	419	330	1.29	25.7	511	15	1.24	24.8
211	285	1.99	39.8	345	135	1.06	22.6	420	330	1.25	25.1	512	15	1.36	27.3
212	0	1.39	27.8	346	255	1.22	24.5	421	330	1.29	25.8	513	15	1.21	24.3
213	0	1.00	20.1	347	255	1.22	24.5	422	330	1.04	20.8	514	15	1.88	37.6
214	0	1.62	32.4	348	255	2.22	41.6	423	15	1.04	20.8	515	15	1.18	23.5
215	0	1.01	20.1	349	255	1.80	36.0	424	240	1.09	21.7	516	240	1.53	30.6
216	0	1.59	31.8	350	255	1.11	23.3	425	225	1.17	23.4	517	30	1.70	34.0
301	90	1.88	37.6	351	135	1.59	31.8	426	15	1.96	31.2	518	30	2.27	45.4
302	90	1.49	29.8	352	135	1.41	28.2	427	15	1.72	34.3	519	30	2.02	40.3
303	120	1.42	28.8	353	135	1.32	26.4	428	330	1.50	30.0	520	30	1.99	39.7
304	120	1.35	27.0	354	135	1.21	24.2	429	330	1.53	30.6	521	30	1.19	23.9
305	120	1.29	25.8	355	135	1.29	25.8	430	45	1.53	26.8	522	30	1.21	24.2
306	120	1.29	25.8	356	135	1.29	25.8	431	345	1.53	24.7	523	15	1.99	39.7
307	120	1.28	25.5	357	240	1.09	21.8	432	0	1.54	26.7	524	165	1.97	39.4
308	120	1.35	27.0	358	240	1.09	21.8	433	270	1.12	22.4	525	225	1.55	31.0
309	255	1.29	25.7	359	240	1.42	28.2	434	15	1.05	21.0	526	240	1.36	27.2
310	120	1.35	27.0	360	240	1.60	32.0	435	0	1.79	35.7	527	30	1.58	31.6
311	90	1.22	24.4	361	165	1.42	28.4	436	15	1.77	35.4	528	30	1.69	33.7
312	90	1.25	25.0	362	135	1.40	28.0	437	345	1.51	30.2	529	15	1.44	28.7
313	90	1.20	24.4	363	135	1.26	25.2	438	345	1.39	27.7	530	30	1.69	33.7
314	345	1.06	20.1	364	150	1.09	21.8	439	330	1.46	29.1	531	105	1.36	27.1
315	345	1.06	20.1	365	135	1.07	21.4	440	15	1.71	34.2	532	105	1.15	23.0
316	345	1.13	22.8	366	150	1.07	17.4	441	15	1.69	33.9	533	150	1.24	24.9
317	345	1.14	22.8	367	300	1.73	34.2	442	15	1.13	22.6	534	150	1.44	28.9
318	270	1.06	22.1	368	240	1.03	14.6	443	240	1.02	20.3	535	225	1.34	26.8
319	270	1.16	23.3	369	165	1.45	29.0	444	15	1.26	25.2	536	285	1.04	20.7
320	180	1.11	22.2	370	150	1.10	22.0	445	15	1.70	33.9	537	30	1.19	23.7
321	105	1.61	32.2	371	45	1.12	22.0	446	0	2.22	44.4	538	30	1.56	31.3
322	105	1.72	34.4	372	150	1.10	22.0	447	330	1.59	31.8	539	240	1.55	31.1
323	105	1.34	26.9	373	180	1.92	38.4	448	345	1.26	25.2	540	0	1.29	25.8
324	105	1.24	25.8	374	0	1.93	38.6	449	15	1.25	24.9	541	120	1.35	27.0
325	225	1.12	22.8	375	0	1.01	18.1	450	30	1.57	27.4	542	0	1.84	36.8
326	345	1.14	22.8	401	330	1.11	22.7	451	15	1.51	26.2	543	240	1.37	27.4
327	255	1.17	23.3	402	180	1.11	22.8	452	15	1.18	23.6	544	285	1.13	22.5
328	270	1.56	31.1	403	0	1.11	22.8	453	225	1.07	21.3	545	105	1.35	27.6
329	270	1.18	23.3	404	150	1.11	22.7	454	225	1.08	21.6	546	30	1.80	36.1
330	165	1.33	26.6	405	150	1.24	24.0	455	225	1.04	20.9	547	30	1.49	29.8
331	105	1.77	35.5	406	180	1.22	24.4	456	180	1.02	20.4	548	30	1.53	30.6
332	105	1.64	33.8	407	180	1.19	23.3	457	180	1.01	20.2	549	120	1.17	23.4
333	135	1.22	24.4	408	180	1.30	30.1	458	30	1.88	37.7	550	135	1.31	26.2
334	105	1.10	22.0	409	180	2.21	44.2	501	15	1.60	32.0	551	345	1.07	21.4
													30	1.21	24.2

TABLE 6 -- PEAK LOADS-- CONFIGURATION B -- MAIN PLACE HOTEL -- DALLAS , TEXAS
 LARGEST VALUE OF ABS(CPMAX) OR ABS(CPMIN) AND PSF LOAD FOR REFERENCE PRESSURE = 27 PSF, GLASS LOAD FACTOR = 0.73

TAP	AZI-MUTH	PRESS COEFF	PSF LOAD	TAP	AZI-MUTH	PRESS COEFF	PSF LOAD	TAP	AZI-MUTH	PRESS COEFF	PSF LOAD	TAP	AZI-MUTH	PRESS COEFF	PSF LOAD
532	0	1.60	32.0	624	195	1.36	27.2	651	225	.74	14.9	723	195	1.18	23.6
533	315	1.80	36.0	625	345	1.20	24.0	652	315	.69	13.8	724	195	1.19	23.8
554	300	1.77	35.5	626	345	1.11	22.2	653	315	.69	13.8	725	285	.76	15.2
555	300	3.63	72.6	627	345	.85	17.0	654	300	.66	13.3	726	195	.98	19.6
601	270	1.18	23.7	628	135	.63	12.6	655	210	1.02	20.5	727	15	1.73	34.5
602	270	1.47	29.4	629	135	.75	15.0	701	315	1.96	39.3	728	15	1.12	22.5
603	270	1.86	37.2	630	150	.84	16.9	702	0	1.05	21.0	729	195	1.07	21.3
604	270	1.46	29.1	631	150	.98	19.6	703	30	1.14	22.8	730	195	1.59	31.9
605	240	1.23	24.3	632	165	1.14	22.7	704	15	1.39	27.8	731	315	1.25	25.0
606	285	.99	19.8	633	165	1.63	32.6	705	0	1.57	31.3	732	15	1.16	23.3
607	315	1.00	20.1	634	345	1.20	24.0	706	0	1.34	26.7	733	15	1.38	27.6
608	300	1.09	21.7	635	345	1.18	23.7	707	315	1.28	25.5	734	15	1.07	21.4
609	285	1.45	28.9	636	15	.69	13.9	708	15	2.03	40.6	735	0	1.14	22.8
610	270	1.19	23.9	637	150	.61	12.2	709	0	1.63	32.7	736	15	1.31	26.1
611	180	.74	14.7	638	135	.78	15.5	710	345	1.29	25.9	737	300	1.46	29.2
612	165	.92	18.4	639	150	.95	19.1	711	15	1.82	36.3	738	285	1.11	22.1
613	165	.79	15.7	640	150	1.11	22.2	712	0	1.57	31.4	739	330	1.16	23.3
614	180	.74	14.9	641	150	1.24	24.7	713	300	.95	19.1	740	300	1.57	31.5
615	300	.80	16.1	642	270	1.26	25.2	715	15	.88	17.7	741	285	1.12	22.3
616	15	.96	19.2	643	255	1.65	33.0	716	300	1.08	21.6	742	15	.83	16.6
617	15	.97	19.4	644	255	1.43	28.6	717	15	1.03	20.5	743	315	1.78	35.6
618	15	.95	18.9	645	255	1.78	35.6	718	195	1.03	20.5	744	300	1.37	27.3
619	255	.80	15.9	646	240	1.58	31.6	719	285	.94	18.7	745	315	1.21	24.3
620	240	.77	15.3	647	255	.79	15.9	720	195	.97	19.4	746	285	1.23	24.7
621	130	.70	14.0	648	255	.63	12.7	721	195	1.23	24.6	747	195	.59	7.9
622	135	.82	16.5	649	300	.66	13.1	722	285	.92	18.3	748	330	.50	10.1
623	150	.91	18.2	650	345	.76	15.2								

TABLE 6 --

PEAK LOADS- CONFIGURATIONS A & B- MAIN PLACE HOTEL -- DALLAS , TEXAS
 TAPS WHERE PEAK LOADS FOR CONFIGURATION B EXCEED THOSE FOR A BY 5.0 PSF OR MORE - REF. PRESS. = 27 PSF,

CONFIGURATION A				CONFIGURATION B				DIFFERENCE			
TAP	AZI- MUTH	PRESS COEFF	PSF LOAD	TAP	AZI- MUTH	PRESS COEFF	PSF LOAD	TAP	PRESS COEFF	PSF LOAD	
3	345	1.17	23.4	3	210	2.22	44.4	3	1.05	21.0	
22	345	1.28	25.6	22	210	2.13	43.1	22	.87	17.5	
23	15	1.26	25.3	23	210	1.55	31.0	23	.29	5.8	
31	15	1.20	24.0	31	225	1.46	29.1	31	.26	1.1	
33	15	1.42	28.4	33	15	1.73	34.6	33	.31	6.2	
41	0	1.32	26.5	41	210	1.75	35.0	41	.43	8.8	
42	240	1.37	27.4	42	210	1.66	33.1	42	.29	5.8	
45	225	1.30	26.0	45	165	1.66	33.1	45	.36	7.1	
55	30	1.49	29.8	55	30	1.80	36.0	55	.31	6.2	
60	15	1.15	23.1	60	210	1.66	33.3	60	.51	10.2	
61	120	1.19	23.8	61	210	1.49	29.7	61	.30	6.0	
79	15	1.52	30.3	79	30	1.84	36.8	79	.33	6.5	
128	15	1.66	33.2	128	30	1.91	38.3	128	.25	5.1	
129	15	1.52	30.0	129	30	1.87	37.4	129	.35	6.9	
214	15	1.16	23.2	214	0	1.62	32.4	214	.46	9.6	
301	90	1.49	29.8	301	90	1.88	36.6	301	.35	6.8	
302	90	1.13	22.5	302	90	1.49	29.8	302	.36	7.3	
303	90	1.17	23.4	303	120	1.42	28.4	303	.25	5.0	
307	120	1.02	20.5	307	120	1.28	25.5	307	.25	5.1	
348	255	1.50	30.0	348	255	2.08	41.1	348	.58	11.7	
360	240	1.90	38.0	360	240	2.60	52.1	360	.70	14.0	
505	165	1.40	27.9	505	30	1.81	36.3	505	.42	8.4	
609	315	1.00	19.9	609	285	1.45	28.9	609	.45	9.0	
610	315	.93	18.5	610	270	1.19	23.9	610	.27	5.3	
633	165	1.31	26.1	633	165	1.63	32.6	633	.32	6.5	
640	150	.85	17.0	640	150	1.11	22.2	640	.26	5.0	
643	150	.99	19.7	643	255	1.65	33.0	643	.67	13.3	
701	15	1.64	32.7	701	315	1.96	39.3	701	.33	6.6	
721	15	.96	19.2	721	195	1.23	24.6	721	.27	5.4	
727	15	1.26	25.1	727	15	1.73	34.5	727	.47	9.9	
730	15	.88	17.6	730	195	1.59	31.9	730	.71	14.3	

GLASS LOAD FACTOR = 0.73

TABLE 6 -- PEAK LOADS-- CONFIGURATION A -- MAIN PLACE HOTEL -- DALLAS , TEXAS
 LARGEST VALUE OF ABS(CPMAX) OR ABS(CPMIN) AND PSF LOAD FOR REFERENCE PRESSURE = 27 PSF

TAP	AZI-NUTH	PRESS COEFF	PSF LOAD	TAP	AZI-NUTH	PRESS COEFF	PSF LOAD	TAP	AZI-NUTH	PRESS COEFF	PSF LOAD	TAP	AZI-NUTH	PRESS COEFF	PSF LOAD
1	223	1.82	49.2	51	15	1.63	44.0	101	30	1.72	46.3	151	15	1.33	35.8
2	120	2.06	55.6	52	15	1.56	42.0	102	15	1.69	45.7	152	15	1.62	43.8
3	343	1.17	31.6	53	30	1.63	44.0	103	30	1.67	45.2	153	30	1.58	42.7
4	223	1.15	31.2	54	30	1.43	38.5	104	30	1.99	53.7	154	15	1.58	42.6
5	223	1.31	35.3	55	30	1.49	40.2	105	30	2.59	69.9	155	345	1.62	43.8
6	15	1.17	31.7	56	15	1.74	47.0	106	223	1.81	48.9	156	30	1.94	52.3
7	15	1.21	32.6	57	15	1.79	48.3	107	120	1.56	42.2	157	30	2.37	64.0
8	15	1.22	33.0	58	30	2.11	56.9	108	223	1.12	30.2	158	223	2.82	76.1
9	15	1.63	44.0	59	30	2.27	61.2	109	223	1.11	30.1	159	120	1.16	31.3
10	15	1.77	47.8	60	15	1.15	31.2	110	223	1.07	29.0	160	15	1.41	38.2
11	15	1.51	40.9	61	120	1.19	32.1	111	240	1.12	30.3	161	15	1.14	30.7
12	15	1.37	37.0	62	15	1.18	31.8	112	15	1.12	30.3	162	15	1.02	27.5
13	15	1.35	36.4	63	30	1.33	36.3	113	15	1.08	29.2	163	15	1.14	30.8
14	15	1.28	34.7	64	30	1.33	36.0	114	223	.97	26.2	164	15	1.77	47.7
15	30	1.40	37.8	65	15	1.52	40.9	115	223	.97	26.1	165	15	1.53	41.3
16	30	1.39	37.5	66	15	1.35	36.3	116	120	.93	25.2	166	15	1.51	40.7
17	30	1.52	41.0	67	120	1.32	35.7	117	120	1.00	27.1	167	15	1.47	39.7
18	15	1.33	33.3	68	120	1.11	31.1	118	165	.96	26.0	168	15	1.40	37.8
19	30	2.34	63.2	69	120	1.11	31.1	119	120	.97	26.2	169	0	1.19	32.0
20	133	2.85	79.8	70	120	1.30	35.0	120	120	1.01	27.2	170	15	1.35	36.4
21	30	2.89	78.0	71	120	1.34	36.2	121	133	1.11	29.9	171	150	1.06	28.9
22	343	1.28	34.6	72	120	1.25	33.6	122	165	.95	25.8	172	150	1.16	31.2
23	15	1.26	34.1	73	30	1.23	34.1	123	180	1.10	29.7	173	120	1.19	32.1
24	15	1.44	39.0	74	30	1.35	36.4	124	30	1.13	30.5	174	15	1.36	36.7
25	15	1.47	39.6	75	30	1.33	33.9	125	30	1.17	31.6	175	15	1.22	33.0
26	15	1.28	34.6	76	120	1.25	33.9	126	15	1.26	34.0	176	15	1.15	31.1
27	15	1.19	32.0	77	15	1.57	42.5	127	30	1.77	47.9	177	15	1.25	33.8
28	15	1.24	33.5	78	30	1.48	40.1	128	15	1.66	44.8	178	15	1.44	38.8
29	15	1.37	36.9	79	15	1.52	40.9	129	15	1.52	41.1	179	15	1.55	42.0
30	15	1.37	36.6	80	223	1.61	43.4	130	15	1.62	43.7	180	15	1.42	38.4
31	15	1.20	32.4	81	120	1.88	50.0	131	30	2.70	72.8	181	15	1.44	38.7
32	15	1.29	34.9	82	240	1.08	29.7	132	223	1.86	50.1	182	30	1.71	46.1
33	15	1.42	38.3	83	240	1.10	29.7	133	120	1.56	42.0	183	15	2.05	55.3
34	15	1.58	42.7	84	240	1.36	36.8	134	223	1.20	32.5	184	165	1.31	35.4
35	15	1.73	46.7	85	240	1.28	34.5	135	223	1.22	32.9	185	15	1.28	34.5
36	15	1.68	45.5	86	15	1.26	33.9	136	15	.91	24.6	186	15	1.40	37.8
37	30	1.59	43.0	87	120	1.04	28.2	137	240	1.11	30.0	187	15	1.40	37.7
38	30	1.66	44.8	88	120	1.09	29.3	138	15	1.23	33.3	188	15	2.08	56.2
39	223	1.90	51.1	89	120	1.16	31.2	139	15	1.11	30.1	189	15	1.26	34.1
40	105	1.54	41.1	90	120	1.10	29.9	140	15	.95	25.5	190	15	1.19	32.1
41	0	1.32	35.8	91	120	1.10	29.7	141	30	.99	26.8	191	15	1.41	38.0
42	240	1.37	36.9	92	130	1.05	28.4	142	30	.88	23.9	192	15	1.43	38.6
43	15	1.30	35.0	93	135	1.07	28.8	143	120	.90	24.2	193	15	1.48	40.1
44	15	1.35	36.6	94	130	1.09	29.4	144	165	.90	24.4	194	315	.94	25.4
45	223	1.30	35.1	95	150	1.09	29.9	145	165	.88	23.8	195	150	1.50	40.6
46	15	1.49	40.1	96	163	1.14	30.8	146	165	.87	23.5	196	15	1.42	38.4
47	223	1.40	37.8	97	330	1.11	29.9	147	165	.87	23.6	197	240	1.18	31.7
48	223	1.44	38.8	98	330	1.11	29.3	148	15	1.22	33.1	198	240	1.09	29.4
49	15	1.45	39.9	99	300	1.11	29.3	149	15	1.37	36.9	199	240	1.04	28.1
50	15	1.56	42.0	100	300	1.11	29.9	150	15	1.58	37.3	200	15	1.58	42.6

TABLE 6 -- PEAK LOADS-- CONFIGURATION A -- MAIN PLACE HOTEL -- DALLAS , TEXAS
 LARGEST VALUE OF ABS(CPMAX) OR ABS(CPMIN) AND PSF LOAD FOR REFERENCE PRESSURE = 27 PSF

TAP	AZI-NUTH	PRESS COEFF	PSF LOAD	TAP	AZI-NUTH	PRESS COEFF	PSF LOAD	TAP	AZI-NUTH	PRESS COEFF	PSF LOAD	TAP	AZI-NUTH	PRESS COEFF	PSF LOAD
201	0	1.73	46.7	333	233	1.07	28.9	410	330	1.53	41.8	502	30	1.59	42.9
202	15	1.53	41.4	336	233	1.07	28.9	411	330	1.87	50.6	503	165	2.25	60.6
203	15	1.51	40.7	337	233	1.10	29.8	412	345	1.43	39.1	504	90	1.14	30.7
204	15	1.54	41.5	338	233	1.46	39.5	413	150	1.47	39.6	505	165	1.40	37.7
205	15	2.03	54.8	339	270	1.70	45.8	414	150	1.43	39.1	506	345	1.26	33.9
206	315	.91	24.4	340	233	1.91	51.7	415	165	1.63	44.5	507	240	1.19	32.1
207	120	1.49	40.0	341	233	1.41	38.0	416	165	1.65	44.7	508	210	1.49	40.1
208	15	1.13	30.2	342	90	1.44	39.0	417	180	1.95	52.5	509	15	1.93	32.0
209	15	1.14	30.9	343	105	1.36	36.8	418	180	1.94	52.5	510	15	2.84	76.7
210	120	1.18	32.0	344	135	1.13	31.0	419	345	1.63	44.0	511	15	1.74	46.9
211	120	1.09	29.3	345	135	1.03	27.8	420	330	1.60	43.2	512	15	2.25	60.8
212	15	1.35	41.8	346	135	.89	24.0	421	345	1.60	43.2	513	15	1.54	41.6
213	15	1.25	33.8	347	233	1.03	27.9	422	345	1.61	43.4	514	120	1.32	35.7
214	15	1.16	31.4	348	233	1.50	40.4	423	165	1.60	43.2	515	120	1.53	41.3
215	15	1.12	30.3	349	233	1.11	28.8	424	165	1.52	41.1	516	15	1.55	41.8
216	165	1.74	47.2	350	233	1.11	28.8	425	165	1.63	44.0	517	15	1.60	43.3
301	90	1.49	40.0	351	135	1.11	28.8	426	15	1.51	40.7	518	30	2.53	68.3
302	90	1.13	30.0	352	130	1.36	36.7	427	15	1.77	47.9	519	15	2.70	72.9
303	90	1.17	31.1	353	130	1.11	28.8	428	330	1.63	44.1	520	15	1.25	33.7
304	105	1.20	32.5	354	135	1.23	33.1	429	330	2.09	56.5	521	30	1.58	42.7
305	120	1.23	33.3	355	135	1.11	28.8	430	345	1.67	45.0	522	15	1.42	38.4
306	120	1.09	29.9	356	165	.83	21.6	431	345	1.83	49.3	523	15	1.23	33.2
307	120	1.02	27.6	357	165	.83	22.3	432	165	1.62	43.7	524	135	1.18	31.8
308	270	1.32	35.6	358	240	.99	26.8	433	165	1.72	46.4	525	165	1.52	41.1
309	270	1.48	39.9	359	240	1.20	32.4	434	180	1.53	41.3	526	345	1.48	39.9
310	120	1.26	34.1	360	240	1.90	51.4	435	165	2.14	57.7	527	30	1.66	44.9
311	90	1.22	33.0	361	150	1.60	43.2	436	180	1.66	44.9	528	30	1.80	48.5
312	90	1.22	33.0	362	150	1.46	39.3	437	345	1.93	52.1	529	30	1.54	41.5
313	90	1.21	32.8	363	150	1.77	47.7	438	345	1.85	49.8	530	150	1.51	40.9
314	0	1.11	29.8	364	150	1.27	34.4	439	345	1.86	50.2	531	165	1.41	38.0
315	345	1.03	27.9	365	150	1.00	26.9	440	0	1.78	48.1	532	150	1.53	41.2
316	345	1.01	27.2	366	165	1.08	29.0	441	165	1.80	48.5	533	0	1.29	35.0
317	255	1.07	29.0	367	165	.88	23.8	442	165	1.75	47.3	534	0	1.29	34.7
318	270	1.15	31.1	368	240	1.03	27.8	443	165	2.33	63.0	535	345	1.18	31.9
319	270	1.16	31.3	369	150	1.36	42.2	444	165	2.42	65.2	536	345	1.33	35.9
320	315	1.12	30.3	370	150	1.38	37.2	445	165	1.72	46.4	537	30	1.84	49.6
321	90	1.71	46.2	371	150	1.46	39.5	446	345	2.62	70.7	538	150	1.65	44.5
322	105	1.77	47.7	372	150	1.50	40.6	447	345	2.01	54.1	539	165	1.36	36.6
323	105	1.43	38.3	373	165	1.15	31.0	448	345	1.48	40.0	540	345	1.49	40.2
324	105	1.42	38.3	374	165	.99	26.6	449	15	1.37	37.0	541	345	2.14	57.7
325	0	1.05	28.4	375	0	1.67	45.1	450	135	1.23	33.2	542	345	1.47	39.9
326	255	1.06	28.7	401	330	1.11	28.8	451	15	1.46	39.5	543	150	1.68	45.4
327	270	1.15	31.2	402	330	1.39	45.5	452	15	1.59	42.8	544	345	1.26	34.0
328	270	1.35	35.2	403	330	1.32	41.0	453	165	1.47	39.6	545	15	1.79	48.5
329	270	1.43	38.6	404	345	1.49	40.2	454	165	1.76	47.4	546	30	1.54	41.7
330	165	2.12	57.2	405	345	1.70	45.8	455	165	1.94	52.3	547	15	1.63	44.1
331	90	1.62	42.8	406	345	1.74	48.7	456	165	1.94	52.4	548	0	1.18	31.8
332	105	1.58	43.8	407	165	1.74	46.8	457	165	2.30	62.0	549	150	1.27	34.3
333	120	1.37	37.1	408	165	1.74	47.0	458	165	2.04	55.1	550	345	1.50	40.5
334	0	1.14	30.9	409	165	2.18	58.9	501	165	1.94	52.5	551	345	1.53	41.2

TABLE 6 -- PEAK LOADS-- CONFIGURATION A -- MAIN PLACE HOTEL -- DALLAS , TEXAS
 LARGEST VALUE OF ABS(CPMAX) OR ABS(CPMIN) AND PSF LOAD FOR REFERENCE PRESSURE = 27 PSF

TAP	AZI-NUTH	PRESS COEFF	PSF LOAD	TAP	AZI-NUTH	PRESS COEFF	PSF LOAD	TAP	AZI-NUTH	PRESS COEFF	PSF LOAD	TAP	AZI-NUTH	PRESS COEFF	PSF LOAD
552	30	1.88	50.8	624	165	1.29	34.8	651	180	.93	25.0	723	120	1.25	33.8
553	315	1.86	50.1	625	345	1.28	34.6	652	0	.69	18.7	724	345	.97	26.1
554	285	1.63	44.7	626	345	1.22	32.9	653	180	.78	21.0	725	165	.83	22.3
555	300	3.47	93.6	627	345	1.00	27.1	654	180	1.05	28.3	726	165	.96	26.0
601	270	1.74	46.8	628	0	.73	19.6	655	180	1.07	28.8	727	15	1.26	33.9
602	270	2.15	57.9	629	30	.68	18.2	701	15	1.64	44.2	728	15	.95	25.7
603	270	1.67	45.1	630	120	.82	22.0	702	15	1.11	30.1	729	0	.83	22.4
604	2225	1.49	40.2	631	120	.94	25.4	703	30	1.20	32.5	730	15	.88	23.7
605	2225	1.71	46.2	632	150	1.21	32.6	704	15	1.61	43.4	731	15	1.61	43.4
606	300	1.29	34.9	633	165	1.31	35.2	705	135	1.60	43.3	732	15	1.62	43.7
607	300	1.37	36.9	634	345	1.62	43.8	706	300	1.30	35.1	733	15	1.54	41.4
608	315	1.02	27.4	635	345	1.82	49.2	707	15	1.22	33.0	734	15	1.13	30.4
609	315	1.00	26.9	636	15	1.05	28.3	708	15	2.04	55.1	735	15	1.25	33.6
610	315	.93	25.0	637	345	.72	19.4	709	15	1.40	37.9	736	15	1.29	34.8
611	300	1.48	40.0	638	135	.71	19.1	710	15	1.60	43.1	737	315	1.51	40.8
612	315	1.20	32.3	639	165	.74	19.9	711	15	1.86	50.3	738	330	1.23	33.3
613	315	1.03	27.9	640	150	.85	22.9	712	330	1.50	40.5	739	15	1.15	31.1
614	315	1.00	27.0	641	150	1.09	29.3	713	30	.95	25.7	740	330	1.63	43.9
615	300	1.68	45.3	642	270	1.31	35.3	715	120	1.11	30.1	741	345	1.18	31.9
616	330	1.33	35.9	643	150	1.99	26.6	716	180	.84	22.8	742	15	1.25	33.8
617	345	1.44	39.0	644	240	1.98	42.5	717	135	1.09	29.5	743	315	1.71	46.3
618	345	1.13	30.5	645	240	1.83	49.4	718	120	1.05	28.3	744	0	1.33	36.0
619	15	.94	25.5	646	240	1.81	41.7	719	120	1.17	31.6	745	0	1.40	37.7
620	0	.78	21.0	647	240	.81	21.8	720	150	1.51	40.8	746	0	1.35	36.3
621	285	.92	24.8	648	240	.92	24.9	721	15	.96	25.9	747	330	1.26	33.9
622	150	1.05	28.4	649	180	.96	25.9	722	180	.79	21.2	748	330	.86	23.3
623	150	1.15	31.1	650	165	.99	26.6								

TABLE 6 --

PEAK LOADS -- CONFIGURATION B -- MAIN PLACE HOTEL -- DALLAS, TEXAS
 LARGEST VALUE OF ABS(CPMAX) OR ABS(CPMIN) AND PSF LOAD FOR REFERENCE PRESSURE = 27 PSF

TAP	AZI-MUTH	PRESS COEFF	PSF LOAD	TAP	AZI-MUTH	PRESS COEFF	PSF LOAD	TAP	AZI-MUTH	PRESS COEFF	PSF LOAD	TAP	AZI-MUTH	PRESS COEFF	PSF LOAD
1	225	1.73	46.7	51	30	1.47	39.7	101	30	1.55	41.8	151	30	1.21	32.8
2	120	1.33	35.8	52	30	1.52	41.0	102	30	1.76	47.4	152	30	1.49	40.3
3	210	2.22	60.0	53	30	1.60	43.2	103	30	1.50	40.4	153	15	1.18	31.8
4	225	1.38	37.3	54	30	1.51	40.7	104	30	2.03	54.7	154	0	1.21	32.6
5	225	1.22	32.9	55	30	1.80	48.6	105	30	2.22	59.8	155	330	1.27	34.3
6	225	1.18	31.8	56	30	1.74	47.0	106	240	2.06	55.5	156	165	1.72	46.6
7	225	1.20	32.3	57	30	1.51	40.9	107	240	1.67	43.1	157	30	1.92	51.9
8	225	1.23	33.8	58	30	1.86	50.3	108	240	1.01	27.3	158	300	2.04	55.2
9	225	1.38	37.2	59	30	2.31	62.5	109	240	.93	23.0	159	150	1.33	35.8
10	240	1.36	36.9	60	210	1.66	44.9	110	180	.94	23.3	160	300	.89	24.2
11	15	1.32	35.6	61	210	1.49	40.2	111	180	1.26	34.0	161	315	.84	22.6
12	240	1.42	38.5	62	225	1.09	29.6	112	30	1.25	33.9	162	30	.83	22.5
13	30	1.28	34.5	63	15	1.15	31.0	113	30	1.03	27.9	163	195	.95	25.6
14	30	1.32	35.7	64	30	1.08	29.1	114	30	.89	24.0	164	15	1.68	45.3
15	30	1.32	35.7	65	15	1.03	27.9	115	30	.95	23.5	165	15	1.50	40.6
16	30	1.32	35.6	66	30	1.03	27.7	116	15	.81	22.3	166	15	1.33	35.9
17	30	1.54	41.6	67	90	1.16	31.4	117	120	.89	23.9	167	15	1.27	34.4
18	15	1.59	42.9	68	105	.81	21.8	118	120	.74	20.0	168	15	1.32	35.6
19	30	1.70	46.0	69	150	.98	26.6	119	120	.75	20.3	169	0	1.05	28.4
20	135	1.73	46.7	70	150	.94	23.3	120	15	.82	22.0	170	15	1.03	27.8
21	30	2.87	77.4	71	150	.97	26.1	121	15	.88	23.7	171	15	1.04	28.1
22	210	2.15	58.1	72	150	.98	26.4	122	30	.92	24.8	172	15	1.09	29.4
23	210	1.55	41.9	73	165	1.26	33.9	123	30	1.12	30.2	173	15	1.09	29.5
24	225	1.44	38.8	74	30	1.23	33.2	124	30	1.11	29.9	174	15	1.11	29.9
25	225	1.45	39.0	75	30	1.40	37.9	125	30	1.15	31.2	175	15	1.15	31.1
26	225	1.40	37.8	76	225	1.50	40.5	126	30	1.18	31.9	176	15	1.04	28.2
27	225	1.36	36.6	77	15	1.42	38.5	127	15	1.72	46.5	177	0	1.03	27.7
28	225	1.42	38.3	78	30	1.47	39.6	128	30	1.91	51.7	178	0	1.39	37.4
29	225	1.41	38.2	79	30	1.84	49.7	129	30	1.87	50.5	179	0	1.12	30.3
30	180	.97	26.1	80	210	1.55	41.8	130	15	1.47	39.8	180	15	1.15	31.0
31	225	1.46	39.3	81	150	1.54	41.5	131	30	2.45	66.3	181	0	1.22	32.9
32	235	1.39	37.5	82	210	1.19	32.1	132	330	1.58	42.7	182	180	1.75	47.1
33	235	1.73	46.6	83	210	1.22	32.9	133	150	1.41	38.2	183	15	1.77	47.7
34	2	1.46	39.3	84	210	1.05	28.4	134	15	1.17	31.6	184	15	1.04	28.0
35	30	1.51	40.8	85	180	1.18	31.7	135	240	1.00	27.0	185	0	1.06	28.6
36	30	1.51	40.7	86	15	1.15	31.1	136	330	.83	22.4	186	15	1.05	28.3
37	30	1.66	44.8	87	0	.96	24.8	137	195	1.08	29.2	187	15	1.29	34.9
38	30	1.66	44.8	88	30	.92	24.8	138	15	1.24	33.5	188	15	.61	43.5
39	2	1.66	44.8	89	30	.86	23.2	139	15	1.18	31.9	189	225	.90	24.4
40	120	1.47	39.6	90	30	.96	26.0	140	30	1.06	28.8	190	0	.94	25.3
41	210	1.73	47.3	91	30	.82	22.2	141	30	.94	23.3	191	30	.95	25.7
42	210	1.66	44.7	92	30	.96	23.9	142	0	.91	24.5	192	15	1.57	42.3
43	180	1.39	37.6	93	30	.99	26.7	143	30	.81	22.0	193	15	1.35	36.5
44	225	1.35	36.5	94	30	.91	24.7	144	165	.86	23.2	194	300	1.12	30.2
45	165	1.66	44.7	95	30	.92	24.7	145	165	.82	22.2	195	150	1.48	39.9
46	180	1.32	35.7	96	30	.88	23.8	146	165	.76	20.5	196	300	1.11	29.9
47	180	1.55	42.0	97	30	.98	26.5	147	15	.80	21.6	197	30	1.98	26.5
48	225	1.54	41.6	98	30	1.12	30.3	148	30	.91	26.7	198	285	1.14	30.0
49	225	1.40	37.9	99	30	1.29	34.8	149	30	.97	26.3	199	240	1.08	29.2
50	225	1.41	38.1	100	30	1.61	43.5	150	30	1.01	27.3	200	15	1.39	37.5

TABLE 6 -- PEAK LOADS-- CONFIGURATION B -- MAIN PLACE HOTEL -- DALLAS , TEXAS
 LARGEST VALUE OF ABS(CPMAX) OR ABS(CPMIN) AND PSF LOAD FOR REFERENCE PRESSURE = 27 PSF

TAP	AZI-MUTH	PRESS COEFF	PSF LOAD	TAP	AZI-MUTH	PRESS COEFF	PSF LOAD	TAP	AZI-MUTH	PRESS COEFF	PSF LOAD	TAP	AZI-MUTH	PRESS COEFF	PSF LOAD
201	0	1.41	38.0	335	235	1.13	30.9	410	180	1.28	34.5	502	30	1.37	37.1
202	15	1.47	39.7	336	235	1.22	33.0	411	330	1.31	35.4	503	30	1.99	53.6
203	15	1.36	36.6	337	235	1.17	31.3	412	330	1.06	28.6	504	180	.98	26.4
204	180	1.36	42.1	338	270	1.40	37.7	413	150	1.14	30.6	505	30	1.81	49.0
205	15	1.82	49.1	339	255	1.32	41.0	414	150	1.13	31.0	506	345	.85	22.9
206	225	1.01	27.3	340	270	1.63	43.9	415	255	1.09	29.3	507	15	.96	25.9
207	150	1.24	33.3	341	135	1.11	36.6	416	165	1.13	30.5	508	15	1.31	35.4
208	285	.97	25.8	342	135	1.11	36.6	417	165	1.44	39.5	509	15	1.92	51.9
209	30	.95	23.6	343	135	1.11	36.6	418	195	1.55	41.9	510	15	2.41	65.0
210	30	.91	24.4	344	135	1.13	30.9	419	330	1.29	34.7	511	15	1.24	33.5
211	285	.99	26.7	345	135	1.06	28.8	420	330	1.23	33.8	512	15	1.36	36.8
212	0	1.39	37.6	346	235	.96	25.5	421	330	1.29	34.9	513	15	1.21	32.6
213	0	1.00	27.1	347	235	1.22	33.0	422	345	1.04	28.1	514	15	.88	23.7
214	0	1.62	43.8	348	235	2.08	56.2	423	15	1.04	28.1	515	15	1.18	31.8
215	0	1.01	27.2	349	235	1.80	48.6	424	240	1.09	29.4	516	240	1.53	41.3
216	0	1.59	42.9	350	235	1.79	48.4	425	225	1.17	31.6	517	30	1.70	45.9
301	90	1.88	50.8	351	235	1.59	42.9	426	15	1.56	42.1	518	30	2.27	61.3
302	90	1.49	46.3	352	135	1.41	38.2	427	15	1.72	46.3	519	30	2.02	54.4
303	120	1.42	44.4	353	135	1.21	32.2	428	330	1.59	40.3	520	30	.99	26.6
304	120	1.35	43.5	354	135	1.11	30.9	429	330	1.53	41.3	521	30	1.19	32.2
305	120	1.20	32.5	355	135	.93	25.0	430	15	1.34	36.1	522	30	1.21	32.7
306	120	1.29	34.7	356	135	.72	19.3	431	345	1.23	33.3	523	15	.99	26.7
307	120	1.28	34.4	357	240	.80	21.6	432	0	1.34	36.1	524	165	.97	26.1
308	120	1.35	36.5	358	235	1.09	29.5	433	270	1.12	30.3	525	225	1.55	41.9
309	255	1.29	34.7	359	240	1.42	38.8	434	15	1.05	28.3	526	240	1.36	36.7
310	120	1.35	36.4	360	240	2.60	70.3	435	0	1.79	48.3	527	30	1.58	42.6
311	90	1.22	33.0	361	165	1.42	38.4	436	15	1.77	47.8	528	30	1.69	45.5
312	90	1.25	33.8	362	135	1.40	37.9	437	345	1.51	40.7	529	15	1.44	38.8
313	90	1.20	32.5	363	135	1.26	34.0	438	345	1.39	37.4	530	105	1.36	36.6
314	345	1.06	28.8	364	150	1.09	29.5	439	330	1.46	39.3	531	105	1.15	33.5
315	345	1.06	28.7	365	135	.87	23.5	440	15	1.71	46.2	532	150	1.24	33.0
316	345	1.13	30.4	366	150	.87	23.5	441	15	1.69	45.7	533	165	1.44	39.0
317	345	1.14	30.8	367	300	.73	19.9	442	15	1.13	30.6	534	225	1.34	36.2
318	270	1.06	28.7	368	240	1.03	27.9	443	240	1.02	27.5	535	285	1.04	28.0
319	270	1.16	31.4	369	165	1.43	39.1	444	15	1.26	34.0	536	30	1.19	32.0
320	180	1.11	29.9	370	150	1.10	29.7	445	15	1.70	45.8	537	30	1.56	42.3
321	105	1.61	43.5	371	45	1.12	30.1	446	0	2.22	59.9	538	240	1.55	41.9
322	105	1.72	46.4	372	150	1.10	29.7	447	330	1.59	42.9	539	0	1.29	34.8
323	105	1.34	36.3	373	180	.92	24.8	448	345	1.26	34.1	540	120	1.35	36.5
324	105	1.24	33.4	374	0	.93	25.2	449	15	1.25	33.6	541	0	1.84	49.7
325	255	1.12	30.1	375	0	1.01	27.4	450	30	1.37	37.0	542	240	1.37	36.9
326	345	1.14	30.0	401	330	1.11	31.7	451	15	1.31	35.3	543	285	1.13	30.4
327	255	1.17	40.2	402	180	1.23	33.3	452	15	1.18	31.8	544	105	1.35	36.3
328	270	1.56	42.0	403	0	1.28	34.6	453	225	1.07	28.8	545	30	1.80	48.0
329	270	1.18	31.9	404	150	1.27	34.2	454	255	1.08	29.1	546	30	1.49	40.7
330	165	1.33	36.0	405	150	1.24	33.5	455	255	1.04	28.2	547	30	1.53	41.3
331	105	1.77	47.9	406	180	1.32	32.8	456	255	1.02	27.5	548	120	1.17	31.7
332	105	1.64	44.3	407	180	1.19	32.2	457	180	1.01	27.3	549	135	1.31	35.3
333	135	1.22	34.9	408	180	1.11	30.9	458	30	.88	23.8	550	345	1.07	28.9
334	105	1.10	29.7	409	180	2.11	59.6	501	15	1.60	43.2	551	30	1.21	32.6

TABLE 6 -- PEAK LOADS-- CONFIGURATION B -- MAIN PLACE HOTEL -- DALLAS , TEXAS
 LARGEST VALUE OF ABS(CPMAX) OR ABS(CPMIN) AND PSF LOAD FOR REFERENCE PRESSURE = 27 PSF

TAP	AZI-MUTH	PRESS COEFF	PSF LOAD	TAP	AZI-MUTH	PRESS COEFF	PSF LOAD	TAP	AZI-MUTH	PRESS COEFF	PSF LOAD	TAP	AZI-MUTH	PRESS COEFF	PSF LOAD
552	0	1.60	43.2	624	195	1.36	36.8	651	225	.74	20.1	723	195	1.18	31.9
553	315	1.80	48.3	625	345	1.20	32.4	652	315	.69	18.6	724	195	1.19	32.1
554	300	1.77	47.9	626	345	1.11	29.9	653	315	.69	18.7	725	285	.76	20.5
555	300	3.63	98.1	627	345	.85	22.9	654	300	.66	17.9	726	195	.98	26.4
601	270	1.18	31.9	628	135	.63	17.0	655	210	1.02	27.6	727	15	1.73	46.6
602	270	1.47	39.7	629	135	.75	20.2	701	315	1.96	53.0	728	15	1.12	30.3
603	270	1.86	50.2	630	150	.84	22.8	702	0	1.03	28.3	729	195	1.07	28.8
604	270	1.46	39.3	631	150	.98	26.4	703	30	1.14	30.8	730	195	1.59	43.0
605	240	1.23	33.1	632	165	1.14	30.7	704	15	1.39	37.5	731	315	1.25	33.7
606	285	1.99	54.6	633	345	1.11	29.8	705	0	1.37	42.3	732	15	1.16	31.4
607	315	1.00	27.1	634	345	1.11	29.8	706	0	1.34	36.1	733	15	1.38	37.2
608	300	1.09	29.3	635	345	1.18	32.0	707	315	1.28	34.4	734	15	1.07	28.8
609	285	1.45	39.0	636	15	.69	18.7	708	15	2.03	54.8	735	0	1.14	30.8
610	270	1.19	32.2	637	150	.61	16.3	709	0	1.63	44.1	736	15	1.31	35.3
611	180	.74	19.9	638	135	.78	20.9	710	345	1.29	34.9	737	300	1.46	39.5
612	165	.92	24.9	639	150	.93	25.7	711	15	1.82	49.0	738	285	1.11	29.9
613	165	.79	21.2	640	150	1.11	30.0	712	0	1.57	42.3	739	330	1.16	31.4
614	180	.74	20.1	641	150	1.11	30.4	713	300	.95	25.7	740	300	1.57	42.5
615	300	.80	21.7	642	270	1.26	34.1	715	15	.88	23.9	741	285	1.12	30.1
616	15	.96	26.0	643	255	1.11	29.8	716	300	1.08	29.2	742	15	.83	22.4
617	15	.97	26.3	644	255	1.11	29.8	717	15	1.03	27.7	743	315	1.78	48.0
618	15	.95	25.5	645	255	1.11	29.8	718	195	1.03	27.7	744	300	1.37	36.9
619	255	.80	21.5	646	240	1.11	29.8	719	285	.94	25.3	745	315	1.21	32.8
620	240	.77	20.7	647	255	1.11	29.8	720	195	.97	26.2	746	285	1.23	33.3
621	150	.70	18.9	648	255	.63	17.1	721	195	1.23	33.2	747	195	.39	10.7
622	135	.82	22.3	649	300	.66	17.7	722	285	.92	24.8	748	330	.50	13.6
623	150	.91	24.3	650	345	.76	20.5								

TABLE 6 --

PEAK LOADS- CONFIGURATIONS A & B- MAIN PLACE HOTEL -- DALLAS , TEXAS
 TAPS WHERE PEAK LOADS FOR CONFIGURATION B EXCEED THOSE FOR A BY 5.0 PSF OR MORE - REF. PRESS. = 27 PSF

CONFIGURATION A				CONFIGURATION B				DIFFERENCE		
TAP	AZI - MUTH	PRESS COEFF	PSF LOAD	TAP	AZI - MUTH	PRESS COEFF	PSF LOAD	TAP	PRESS COEFF	PSF LOAD
3	343	1.17	31.6	3	210	2.22	60.0	3	1.05	28.3
4	225	1.15	31.2	4	210	1.38	37.3	4	.23	6.1
22	343	1.28	34.6	22	210	2.15	58.1	22	.87	23.6
23	15	1.26	34.1	23	210	1.55	41.9	23	.29	7.8
31	15	1.20	32.4	31	225	1.46	39.3	31	.26	6.9
33	15	1.42	38.3	33	15	1.73	46.6	33	.31	8.4
41	0	1.32	35.8	41	210	1.75	47.3	41	.43	11.5
42	240	1.37	36.9	42	210	1.66	44.7	42	.29	7.8
43	225	1.30	34.1	43	165	1.66	44.7	43	.36	9.6
55	30	1.49	40.2	55	30	1.80	48.6	55	.31	8.4
60	15	1.15	31.1	60	210	1.66	44.9	60	.51	13.7
61	120	1.19	32.1	61	210	1.49	40.2	61	.30	8.1
76	120	1.25	33.9	76	225	1.50	40.5	76	.24	6.6
79	15	1.52	40.9	79	30	1.84	49.7	79	.33	8.8
106	225	1.81	48.8	106	240	2.06	55.5	106	.25	6.7
128	15	1.66	44.8	128	30	1.91	51.7	128	.25	6.9
129	15	1.52	41.1	129	30	1.87	50.5	129	.35	9.3
214	15	1.16	31.4	214	0	1.62	43.8	214	.46	12.4
301	90	1.49	40.2	301	90	1.88	50.8	301	.39	10.6
302	90	1.13	33.4	302	90	1.49	40.3	302	.36	9.9
303	90	1.17	33.5	303	120	1.42	38.4	303	.25	6.8
306	120	1.09	29.5	306	120	1.29	34.7	306	.19	5.2
307	120	1.02	27.6	307	120	1.28	34.4	307	.25	6.8
328	270	1.33	36.6	328	270	1.56	42.0	328	.20	5.5
331	90	1.58	42.6	331	105	1.77	47.9	331	.20	5.5
341	120	1.41	38.0	341	135	1.66	44.8	341	.25	6.7
347	255	1.03	27.9	347	255	1.22	33.0	347	.19	5.1
348	255	1.50	40.4	348	255	2.08	56.2	348	.58	15.7
350	270	1.59	42.8	350	255	1.79	48.4	350	.21	5.6
351	135	1.37	36.9	351	135	1.59	42.9	351	.22	6.0
359	240	1.20	32.4	359	240	1.42	38.3	359	.22	5.9
360	240	1.90	55.4	360	240	2.60	70.3	360	.70	18.9
505	165	1.40	37.7	505	30	1.81	49.0	505	.42	11.3
603	270	1.67	45.1	603	270	1.86	50.2	603	.19	5.1
609	315	1.00	22.9	609	285	1.45	39.0	609	.45	12.1
610	315	.93	23.0	610	270	1.19	32.2	610	.27	7.2
633	165	1.31	35.5	633	165	1.63	44.0	633	.32	8.8
639	165	.74	19.9	639	150	.95	25.7	639	.22	5.8
640	150	.85	22.9	640	150	1.11	30.0	640	.26	7.0
643	150	.99	22.6	643	255	1.65	44.6	643	.67	18.0
701	15	1.64	44.6	701	315	1.96	53.0	701	.33	8.9
709	15	1.40	37.7	709	0	1.63	44.1	709	.23	6.2
716	180	.84	22.2	716	300	1.08	29.2	716	.24	6.4
721	15	.96	22.5	721	195	1.23	33.2	721	.27	7.3
724	343	.97	22.6	724	195	1.19	32.1	724	.22	6.0
727	15	1.26	33.9	727	15	1.73	46.6	727	.47	12.7
729	0	.83	22.3	729	195	1.07	28.8	729	.24	6.4
730	15	.88	23.7	730	195	1.59	43.0	730	.71	19.3

TABLE 7 -
TOTAL FORCE AND MOMENT LOADS- MAIN PLACE HOTEL -- CONF. A -- DALLAS , TEXAS

REF. PRESS- 27. PSF	GUST FACTOR- 1.32	REF AREA- 2000.	SB FT	REF. LENGTH- 200. FT.	MOM(X)	MOM(Y)	MOM(Z)
AZIMUTH	CFX	CFY	FORCE(K)	FORCE(Y)	CMX	CMY	CMZ
			(KIPS)	(KIPS)			
345	-6.39	2.4	-5.8	37.36	-10.88	1.66	-1.1
330	-1.08	2.4	-1.5	37.87	-1.71	4.46	-1.1
315	-1.43	2.4	-2.1	37.73	-3.33	4.46	-1.1
300	-1.35	2.4	-2.1	37.99	-3.33	4.46	-1.1
285	-1.2	2.4	-1.9	37.55	-4.41	4.46	-1.1
270	-1.0	2.4	-1.7	37.01	-5.05	4.46	-1.1
255	-0.8	2.4	-1.5	36.57	-5.73	4.46	-1.1
240	-0.54	2.4	-1.1	36.51	-6.42	4.46	-1.1
225	-0.54	2.4	-1.1	36.51	-7.11	4.46	-1.1
210	-0.1	2.4	-0.3	36.05	-7.77	4.46	-1.1
195	0.1	2.4	0.3	35.77	-8.41	4.46	-1.1
180	0.6	2.4	1.1	35.33	-9.02	4.46	-1.1
165	1.1	2.4	1.7	34.66	-9.58	4.46	-1.1
150	1.4	2.4	2.1	33.66	-10.09	4.46	-1.1
135	1.6	2.4	2.2	32.33	-10.55	4.46	-1.1
120	1.6	2.4	2.2	30.66	-10.96	4.46	-1.1
105	1.1	2.4	1.7	28.66	-11.32	4.46	-1.1
90	0.9	2.4	1.3	26.33	-11.63	4.46	-1.1
75	0.7	2.4	1.0	23.66	-11.89	4.46	-1.1
60	0.5	2.4	0.7	20.66	-12.11	4.46	-1.1
45	0.3	2.4	0.5	17.33	-12.29	4.46	-1.1
30	0.2	2.4	0.3	13.66	-12.43	4.46	-1.1
15	0.1	2.4	0.2	9.33	-12.53	4.46	-1.1
0	0.0	2.4	0.0	4.66	-12.59	4.46	-1.1

TABLE 7 -
TOTAL FORCE AND MOMENT LOADS- MAIN PLACE HOTEL -- CONF. B -- DALLAS , TEXAS

REF. AZIMUTH	PRESS- 27 PSF CFX	GUST CFY	FACTOR- 1.32	REF AREA- 2000. CMX	SQ FT CMY	REF. LENGTH- 200 FT. CMZ	MOM(X) (1000-FT-KIPS)	MOM(Y)	MOM(Z)
			FORCE(X) (KIPS)	FORCE(Y) (KIPS)					
10			270	-2453.1	332.55	-1.81	601.1	-33.5	-101.5
30			270	-2322.7	332.55	-2.09	622.8	38.7	-123.5
45			270	-2304.8	332.55	-3.90	563.3	71.9	-136.2
60			270	-685.5	332.55	-2.64	1293.9	-13.5	-46.7
75			270	243.4	332.55	-3.29	-161.0	-60.8	1.2
90			270	537.8	332.55	-10.91	-157.4	-201.5	10.7
105			270	1177.6	332.55	-16.23	-309.1	-299.8	26.7
120			270	1491.6	332.55	-16.97	-382.2	-313.4	43.1
135			270	1704.2	332.55	-19.24	-424.1	-355.3	34.9
150			270	1685.7	332.55	-17.43	-397.4	-322.0	20.3
165			270	1478.8	332.55	-17.52	-334.9	-323.6	-15.3
180			270	1170.8	332.55	-13.19	-284.1	-243.6	9.1
195			270	793.3	332.55	-10.64	-145.8	-196.0	13.5
210			270	291.1	332.55	-1.74	-32.2	-42.6	-8.6
225			270	66.4	332.55	22.34	1.5	412.6	27.7
240			270	-245.3	332.55	31.51	-53.5	582.0	82.7
255			270	124.2	332.55	33.21	-144.0	613.4	87.1
270			270	288.2	332.55	33.21	-108.0	645.9	100.0
285			270	1601.7	332.55	33.33	-1.1	623.4	70.0
300			270	1500.8	332.55	29.92	2.6	552.4	61.2
315			270	1176.0	332.55	22.97	2.9	415.7	34.8
330			270	1146.8	332.55	14.33	5.7	264.4	19.9
345			270	2399.4	332.55	-2.49	573.3	42.5	-5.4
45			270	2222.8	332.55	-6.41	552.0	-118.4	-7.7

TABLE 7 -
FLOOR FORCE AND MOMENT LOADS - MAIN PLACE HOTEL -- CONF. A -- DALLAS, TEXAS

DATA FOR WIND DIR. 345 REF. PRESS. -26.5 PSF GUST FACTOR= 1.320 REF. AREA- 2000 SQ FT REF. LENGTH- 200 FT

FLOOR	CFX	CFY	FORCE(X) (KIPS)	FORCE(Y) (KIPS)	CHX	CHY	CHZ	MOM(X)	MOM(Y) (1000-FT-KIPS)	MOM(Z)
1	15	-	13.6	-12.3	.05	.01	.30	1.015	.111	5.607
	14	-	12.2	-12.2		.02		3.010	.309	6.093
	10	-	1.0	-0.2		.02		3.161	.361	4.153
	10	-	1.0	-0.2		.03		4.107	.459	4.153
	10	-	1.0	-0.2		.03		5.066	.543	4.153
	10	-	1.0	-0.2		.04		6.105	.641	4.153
	10	-	1.0	-0.2		.05		7.169	.762	4.153
	10	-	1.0	-0.2		.06		8.222	.900	4.153
	10	-	1.0	-0.2		.07		9.266	1.055	4.153
	10	-	1.0	-0.2		.08		10.300	1.222	4.153
	10	-	1.0	-0.2		.09		11.322	1.399	4.153
	10	-	1.0	-0.2		.10		12.333	1.591	4.153
	10	-	1.0	-0.2		.11		13.333	1.796	4.153
	10	-	1.0	-0.2		.12		14.322	2.011	4.153
	10	-	1.0	-0.2		.13		15.288	2.233	4.153
	10	-	1.0	-0.2		.14		16.222	2.466	4.153
	10	-	1.0	-0.2		.15		17.111	2.711	4.153
	10	-	1.0	-0.2		.16		17.944	2.966	4.153
	10	-	1.0	-0.2		.17		18.722	3.233	4.153
	10	-	1.0	-0.2		.18		19.444	3.511	4.153
	10	-	1.0	-0.2		.19		20.111	3.800	4.153
	10	-	1.0	-0.2		.20		20.722	4.100	4.153
	10	-	1.0	-0.2		.21		21.277	4.411	4.153
	10	-	1.0	-0.2		.22		21.777	4.733	4.153
	10	-	1.0	-0.2		.23		22.222	5.066	4.153
	10	-	1.0	-0.2		.24		22.611	5.411	4.153
	10	-	1.0	-0.2		.25		22.944	5.766	4.153
	10	-	1.0	-0.2		.26		23.222	6.133	4.153
	10	-	1.0	-0.2		.27		23.444	6.511	4.153
	10	-	1.0	-0.2		.28		23.611	6.900	4.153
	10	-	1.0	-0.2		.29		23.722	7.300	4.153
	10	-	1.0	-0.2		.30		23.777	7.711	4.153
	10	-	1.0	-0.2		.31		23.777	8.133	4.153
	10	-	1.0	-0.2		.32		23.722	8.566	4.153
	10	-	1.0	-0.2		.33		23.611	9.011	4.153
	10	-	1.0	-0.2		.34		23.444	9.466	4.153
	10	-	1.0	-0.2		.35		23.222	9.933	4.153
	10	-	1.0	-0.2		.36		22.944	10.411	4.153
	10	-	1.0	-0.2		.37		22.611	10.900	4.153
	10	-	1.0	-0.2		.38		22.222	11.400	4.153
	10	-	1.0	-0.2		.39		21.777	11.911	4.153
	10	-	1.0	-0.2		.40		21.277	12.433	4.153
	10	-	1.0	-0.2		.41		20.722	12.966	4.153
	10	-	1.0	-0.2		.42		20.111	13.511	4.153
	10	-	1.0	-0.2		.43		19.444	14.066	4.153
	10	-	1.0	-0.2		.44		18.722	14.633	4.153
	10	-	1.0	-0.2		.45		17.944	15.211	4.153
	10	-	1.0	-0.2		.46		17.111	15.800	4.153
	10	-	1.0	-0.2		.47		16.222	16.400	4.153
	10	-	1.0	-0.2		.48		15.277	17.011	4.153
	10	-	1.0	-0.2		.49		14.277	17.633	4.153
	10	-	1.0	-0.2		.50		13.222	18.266	4.153
	10	-	1.0	-0.2		.51		12.111	18.911	4.153
	10	-	1.0	-0.2		.52		10.944	19.566	4.153
	10	-	1.0	-0.2		.53		9.722	20.233	4.153
	10	-	1.0	-0.2		.54		8.444	20.911	4.153
	10	-	1.0	-0.2		.55		7.111	21.600	4.153
	10	-	1.0	-0.2		.56		5.722	22.300	4.153
	10	-	1.0	-0.2		.57		4.277	23.011	4.153
	10	-	1.0	-0.2		.58		2.777	23.733	4.153
	10	-	1.0	-0.2		.59		1.222	24.466	4.153
	10	-	1.0	-0.2		.60		0.000	25.211	4.153
	10	-	1.0	-0.2		.61			25.966	4.153
	10	-	1.0	-0.2		.62			26.733	4.153
	10	-	1.0	-0.2		.63			27.511	4.153
	10	-	1.0	-0.2		.64			28.300	4.153
	10	-	1.0	-0.2		.65			29.100	4.153
	10	-	1.0	-0.2		.66			29.911	4.153
	10	-	1.0	-0.2		.67			30.733	4.153
	10	-	1.0	-0.2		.68			31.566	4.153
	10	-	1.0	-0.2		.69			32.411	4.153
	10	-	1.0	-0.2		.70			33.266	4.153
	10	-	1.0	-0.2		.71			34.133	4.153
	10	-	1.0	-0.2		.72			35.011	4.153
	10	-	1.0	-0.2		.73			35.900	4.153
	10	-	1.0	-0.2		.74			36.800	4.153
	10	-	1.0	-0.2		.75			37.711	4.153
	10	-	1.0	-0.2		.76			38.633	4.153
	10	-	1.0	-0.2		.77			39.566	4.153
	10	-	1.0	-0.2		.78			40.511	4.153
	10	-	1.0	-0.2		.79			41.466	4.153
	10	-	1.0	-0.2		.80			42.433	4.153
	10	-	1.0	-0.2		.81			43.411	4.153
	10	-	1.0	-0.2		.82			44.400	4.153
	10	-	1.0	-0.2		.83			45.400	4.153
	10	-	1.0	-0.2		.84			46.411	4.153
	10	-	1.0	-0.2		.85			47.433	4.153
	10	-	1.0	-0.2		.86			48.466	4.153
	10	-	1.0	-0.2		.87			49.511	4.153
	10	-	1.0	-0.2		.88			50.566	4.153
	10	-	1.0	-0.2		.89			51.633	4.153
	10	-	1.0	-0.2		.90			52.711	4.153
	10	-	1.0	-0.2		.91			53.800	4.153
	10	-	1.0	-0.2		.92			54.900	4.153
	10	-	1.0	-0.2		.93			56.011	4.153
	10	-	1.0	-0.2		.94			57.133	4.153
	10	-	1.0	-0.2		.95			58.266	4.153
	10	-	1.0	-0.2		.96			59.411	4.153
	10	-	1.0	-0.2		.97			60.566	4.153
	10	-	1.0	-0.2		.98			61.733	4.153
	10	-	1.0	-0.2		.99			62.911	4.153
	10	-	1.0	-0.2		1.00			64.100	4.153

TABLE 7 -
FLOOR FORCE AND MOMENT LOADS - MAIN PLACE HOTEL -- CONF. A -- DALLAS , TEXAS

DATA FOR WIND DIR. 330 REF. PRESS. -26.5 PSF GUST FACTOR= 1.320 REF. AREA- 2000.00 FT REF. LENGTH- 200.00 FT

FLOOR	CFX	CFY	FORCE(X) (KIPS)	FORCE(Y) (KIPS)	CMX	CMY	CMZ	MOM(X)	MOM(Y) (1000-FT-KIPS)	MOM(Z)
1	.21	-.11	19.5	-14.3	.06	.01	.51	1.180	.160	9.430
2	.20	-.11	18.8	-14.6	.19	.03	.54	3.598	.462	9.991
3	.15	-.11	14.0	-10.1	.22	.03	.77	8.876	.537	6.766
4	.15	-.11	13.3	-10.4	.28	.04	.86	14.777	.667	6.636
5	.13	-.11	12.2	-10.9	.35	.04	.95	21.450	.777	6.587
6	.12	-.11	11.1	-11.1	.42	.05	1.00	28.793	.874	6.565
7	.11	-.11	10.2	-11.2	.50	.05	1.00	36.863	.953	6.763
8	.11	-.11	10.2	-11.2	.58	.06	1.00	45.650	1.000	6.803
9	.04	-.11	2.4	-1.1	.66	.03	.98	7.712	.471	3.333
10	.03	-.11	2.4	-1.1	.74	.02	.98	7.712	.336	4.225
11	.00	-.11	0.0	-.0	.82	.01	.98	4.311	.000	5.116
12	.00	-.11	0.0	-.0	.90	.00	.98	1.588	.000	6.007
13	.00	-.11	0.0	-.0	.98	.03	.98	3.355	.000	7.900
14	.00	-.11	0.0	-.0	1.06	.04	.98	5.187	.000	8.811
15	.00	-.11	0.0	-.0	1.14	.06	.98	7.020	.000	9.788
16	.00	-.11	0.0	-.0	1.22	.07	.98	8.853	.000	10.800
17	.00	-.11	0.0	-.0	1.30	.08	.98	10.686	.000	11.888
18	.00	-.11	0.0	-.0	1.38	.09	.98	12.519	.000	13.058
19	.00	-.11	0.0	-.0	1.46	.10	.98	14.352	.000	14.318
20	.00	-.11	0.0	-.0	1.54	.11	.98	16.185	.000	15.668
21	.00	-.11	0.0	-.0	1.62	.12	.98	18.018	.000	17.108
22	.00	-.11	0.0	-.0	1.70	.13	.98	19.851	.000	18.638
23	.00	-.11	0.0	-.0	1.78	.14	.98	21.684	.000	20.258
24	.00	-.11	0.0	-.0	1.86	.14	.98	23.517	.000	21.968
25	.00	-.11	0.0	-.0	1.94	.15	.98	25.350	.000	23.768
26	.00	-.11	0.0	-.0	2.02	.15	.98	27.183	.000	25.658
27	.00	-.11	0.0	-.0	2.10	.14	.98	29.016	.000	27.638
28	.00	-.11	0.0	-.0	2.18	.13	.98	30.849	.000	29.708
29	.00	-.11	0.0	-.0	2.26	.12	.98	32.682	.000	31.868
30	.00	-.11	0.0	-.0	2.34	.11	.98	34.515	.000	34.108
31	.00	-.11	0.0	-.0	2.42	.09	.98	36.348	.000	36.428
32	.00	-.11	0.0	-.0	2.50	.08	.98	38.181	.000	38.828
33	.00	-.11	0.0	-.0	2.58	.06	.98	40.014	.000	41.308
34	.00	-.11	0.0	-.0	2.66	.02	.98	41.847	.000	43.868
35	.00	-.11	0.0	-.0	2.74	.01	.98	43.680	.000	46.508
36	.00	-.11	0.0	-.0	2.82	.00	.98	45.513	.000	49.228
37	.00	-.11	0.0	-.0	2.90	.00	.98	47.346	.000	52.028
38	.00	-.11	0.0	-.0	2.98	.00	.98	49.179	.000	54.908
39	.00	-.11	0.0	-.0	3.06	.00	.98	51.012	.000	57.868
40	.00	-.11	0.0	-.0	3.14	.00	.98	52.845	.000	60.908
41	.00	-.11	0.0	-.0	3.22	.00	.98	54.678	.000	64.028
42	.00	-.11	0.0	-.0	3.30	.00	.98	56.511	.000	67.228
43	.00	-.11	0.0	-.0	3.38	.00	.98	58.344	.000	70.508
44	.00	-.11	0.0	-.0	3.46	.00	.98	60.177	.000	73.868
45	.00	-.11	0.0	-.0	3.54	.00	.98	62.010	.000	77.308
46	.00	-.11	0.0	-.0	3.62	.00	.98	63.843	.000	80.828
47	.00	-.11	0.0	-.0	3.70	.00	.98	65.676	.000	84.428
48	.00	-.11	0.0	-.0	3.78	.00	.98	67.509	.000	88.108
49	.00	-.11	0.0	-.0	3.86	.00	.98	69.342	.000	91.868
50	.00	-.11	0.0	-.0	3.94	.00	.98	71.175	.000	95.708
51	.00	-.11	0.0	-.0	4.02	.00	.98	73.008	.000	99.628
52	.00	-.11	0.0	-.0	4.10	.00	.98	74.841	.000	103.628
53	.00	-.11	0.0	-.0	4.18	.00	.98	76.674	.000	107.708
54	.00	-.11	0.0	-.0	4.26	.00	.98	78.507	.000	111.868
55	.00	-.11	0.0	-.0	4.34	.00	.98	80.340	.000	116.108
56	.00	-.11	0.0	-.0	4.42	.00	.98	82.173	.000	120.428
57	.00	-.11	0.0	-.0	4.50	.00	.98	84.006	.000	124.828
58	.00	-.11	0.0	-.0	4.58	.00	.98	85.839	.000	129.308
59	.00	-.11	0.0	-.0	4.66	.00	.98	87.672	.000	133.868
60	.00	-.11	0.0	-.0	4.74	.00	.98	89.505	.000	138.508
61	.00	-.11	0.0	-.0	4.82	.00	.98	91.338	.000	143.228
62	.00	-.11	0.0	-.0	4.90	.00	.98	93.171	.000	148.028
63	.00	-.11	0.0	-.0	4.98	.00	.98	95.004	.000	152.908
64	.00	-.11	0.0	-.0	5.06	.00	.98	96.837	.000	157.868
65	.00	-.11	0.0	-.0	5.14	.00	.98	98.670	.000	162.908
66	.00	-.11	0.0	-.0	5.22	.00	.98	100.503	.000	168.028
67	.00	-.11	0.0	-.0	5.30	.00	.98	102.336	.000	173.228
68	.00	-.11	0.0	-.0	5.38	.00	.98	104.169	.000	178.508
69	.00	-.11	0.0	-.0	5.46	.00	.98	106.002	.000	183.868
70	.00	-.11	0.0	-.0	5.54	.00	.98	107.835	.000	189.308
71	.00	-.11	0.0	-.0	5.62	.00	.98	109.668	.000	194.828
72	.00	-.11	0.0	-.0	5.70	.00	.98	111.501	.000	200.428
73	.00	-.11	0.0	-.0	5.78	.00	.98	113.334	.000	206.108
74	.00	-.11	0.0	-.0	5.86	.00	.98	115.167	.000	211.868
75	.00	-.11	0.0	-.0	5.94	.00	.98	117.000	.000	217.708
76	.00	-.11	0.0	-.0	6.02	.00	.98	118.833	.000	223.628
77	.00	-.11	0.0	-.0	6.10	.00	.98	120.666	.000	229.628
78	.00	-.11	0.0	-.0	6.18	.00	.98	122.500	.000	235.708
79	.00	-.11	0.0	-.0	6.26	.00	.98	124.333	.000	241.868
80	.00	-.11	0.0	-.0	6.34	.00	.98	126.166	.000	248.108
81	.00	-.11	0.0	-.0	6.42	.00	.98	128.000	.000	254.428
82	.00	-.11	0.0	-.0	6.50	.00	.98	129.833	.000	260.828
83	.00	-.11	0.0	-.0	6.58	.00	.98	131.666	.000	267.308
84	.00	-.11	0.0	-.0	6.66	.00	.98	133.500	.000	273.868
85	.00	-.11	0.0	-.0	6.74	.00	.98	135.333	.000	280.508
86	.00	-.11	0.0	-.0	6.82	.00	.98	137.166	.000	287.228
87	.00	-.11	0.0	-.0	6.90	.00	.98	139.000	.000	294.028
88	.00	-.11	0.0	-.0	6.98	.00	.98	140.833	.000	300.908
89	.00	-.11	0.0	-.0	7.06	.00	.98	142.666	.000	307.868
90	.00	-.11	0.0	-.0	7.14	.00	.98	144.500	.000	314.908
91	.00	-.11	0.0	-.0	7.22	.00	.98	146.333	.000	322.028
92	.00	-.11	0.0	-.0	7.30	.00	.98	148.166	.000	329.228
93	.00	-.11	0.0	-.0	7.38	.00	.98	150.000	.000	336.508
94	.00	-.11	0.0	-.0	7.46	.00	.98	151.833	.000	343.868
95	.00	-.11	0.0	-.0	7.54	.00	.98	153.666	.000	351.308
96	.00	-.11	0.0	-.0	7.62	.00	.98	155.500	.000	358.828
97	.00	-.11	0.0	-.0	7.70	.00	.98	157.333	.000	366.428
98	.00	-.11	0.0	-.0	7.78	.00	.98	159.166	.000	374.108
99	.00	-.11	0.0	-.0	7.86	.00	.98	161.000	.000	381.868
100	.00	-.11	0.0	-.0	7.94	.00	.98	162.833	.000	389.708
101	.00	-.11	0.0	-.0	8.02	.00	.98	164.666	.000	397.628
102	.00	-.11	0.0	-.0	8.10	.00	.98	166.500	.000	405.628
103	.00	-.11	0.0	-.0	8.18	.00	.98	168.333	.000	413.708
104	.00	-.11	0.0	-.0	8.26	.00	.98	170.166	.000	421.868
105	.00	-.11	0.0	-.0	8.34	.00	.98	172.000	.000	430.108
106	.00	-.11	0.0	-.0	8.42	.00	.98	173.833	.000	438.428
107	.00	-.11	0.0	-.0	8.50	.00	.98	175.666	.000	446.828
108	.00	-.11	0.0	-.0	8.58	.00	.98	177.500	.000	455.308
109	.00	-.11	0.0	-.0	8.66	.00	.98	179.333	.000	463.868
110	.00	-.11	0.0	-.0	8.74	.00	.98	181.166	.000	472.508
111	.00	-.11	0.0	-.0	8.82	.00	.98	183.000	.000	481.228
112	.00	-.11	0.0	-.0	8.90	.00	.98	184.833	.000	490.028
113	.00	-.11	0.0	-.0	8.98	.00	.98	186.666	.000	498.908
114	.00	-.11	0.0	-.0	9.06	.00	.98	188.500	.000	507.868
115	.00	-.11	0.0	-.0	9.14	.00	.98	190.333	.000	516.908
116	.00	-.11	0.0	-.0	9.22	.00	.98	192.166	.000	526.028
117	.00	-.11	0.0	-.0	9.30	.00	.98	194.000	.000	535.228
118	.00	-.11	0.0	-.0	9.38	.00	.98	195.833	.000	544.508
119	.00	-.11	0.0	-.0	9.46	.00	.98	197.666	.000	553.868
120	.00	-.11	0.0	-.0	9.54	.00	.98	199.500	.000	563.308
121	.00	-.11	0.0	-.0	9.62	.00	.98	201.333	.000	572.828
122	.00	-.11	0.0	-.0	9.70	.00	.98	203.166	.000	582.428
123	.00	-.11	0.0	-.0	9.78	.00	.98	205.000	.000	592.108
124	.00	-.11	0.0	-.0	9.86	.00	.98	206.833	.000	601.868
125	.00	-.11	0.0	-.0	9.94	.00	.98	208.666	.000	611.708
126	.00	-.11	0.0	-.0	10.02	.0				

TABLE 7 -
FLOOR FORCE AND MOMENT LOADS - MAIN PLACE HOTEL -- CONF. A -- DALLAS , TEXAS

DATA FOR WIND DIR. 315 REF. PRESS. -26.5 PSF GUST FACTOR= 1.320 REF. AREA- 2000.SQ FT REF. LENGTH- 200.FT

FLOOR	CFX	CFY	FORCE(X) (KIPS)	FORCE(Y) (KIPS)	CMX	CMY	CMZ	MOM(X)	MOM(Y) (1000-FT-KIPS)	MOM(Z)
1	.40	-.07	37	-172	.08	.02	.73	1.4	306	13.424
2	.38	-.09	35	-174	.23	.02	.74	4.4	.867	13.675
3	.27	-.29	22	-119	.25	.05	.49	4.4	.943	9.098
4	.25	-.31	21	-121	.32	.06	.48	5.5	1.152	8.854
5	.22	-.33	19	-121	.40	.07	.47	7.7	1.349	8.737
6	.20	-.35	18	-122	.47	.08	.47	8.8	1.566	8.716
7	.18	-.37	17	-124	.55	.10	.47	10.0	1.799	8.686
8	.16	-.38	16	-125	.63	.11	.47	11.1	1.994	8.632
9	.15	-.38	15	-127	.72	.12	.46	12.2	2.297	8.476
10	.14	-.36	14	-63	.40	.01	.01	13.3	2.203	1.176
11	.13	-.36	13	-64	.44	.01	.01	14.4	2.033	1.433
12	.12	-.36	12	-64	.48	.01	.01	15.5	1.863	1.664
13	.11	-.36	11	-64	.53	.02	.02	16.6	1.700	1.868
14	.10	-.36	10	-65	.58	.02	.02	17.7	1.544	2.044
15	.09	-.36	9	-67	.64	.03	.03	18.8	1.400	2.191
16	.08	-.36	8	-69	.70	.04	.04	19.9	1.267	2.311
17	.07	-.36	7	-71	.76	.04	.04	21.0	1.144	2.404
18	.06	-.36	6	-72	.84	.05	.05	22.1	1.033	2.469
19	.05	-.36	5	-74	.90	.05	.05	23.2	.934	2.504
20	.04	-.36	4	-75	.96	.05	.05	24.3	.844	2.511
21	.03	-.36	3	-77	1.02	.05	.05	25.4	.767	2.497
22	.02	-.36	2	-77	1.08	.06	.06	26.5	.700	2.444
23	.01	-.36	1	-78	1.14	.06	.06	27.6	.644	2.351
24	.00	-.36	0	-79	1.21	.06	.06	28.7	.597	2.211
25	.00	-.36	0	-79	1.27	.06	.06	29.8	.555	2.044
26	.00	-.36	0	-79	1.34	.06	.06	30.9	.517	1.891
27	.00	-.36	0	-79	1.40	.06	.06	32.0	.483	1.732
28	.00	-.36	0	-79	1.47	.06	.06	33.1	.453	1.577
29	.00	-.36	0	-79	1.53	.06	.06	34.2	.427	1.424
30	.00	-.36	0	-79	1.60	.06	.06	35.3	.403	1.277
31	.00	-.36	0	-79	1.67	.06	.06	36.4	.381	1.132
32	.00	-.36	0	-79	1.74	.06	.06	37.5	.361	1.004
33	.00	-.36	0	-79	1.81	.06	.06	38.6	.343	.884
34	.00	-.36	0	-79	1.88	.06	.06	39.7	.327	.777
35	.00	-.36	0	-79	1.95	.06	.06	40.8	.313	.684
36	.00	-.36	0	-79	2.02	.06	.06	41.9	.300	.604
37	.00	-.36	0	-79	2.10	.06	.06	43.0	.288	.534
38	.00	-.36	0	-79	2.17	.06	.06	44.1	.277	.474
39	.00	-.36	0	-79	2.24	.06	.06	45.2	.267	.424
40	.00	-.36	0	-79	2.31	.06	.06	46.3	.258	.384
41	.00	-.36	0	-79	2.38	.06	.06	47.4	.250	.344
42	.00	-.36	0	-79	2.45	.06	.06	48.5	.243	.304
43	.00	-.36	0	-79	2.52	.06	.06	49.6	.237	.264
44	.00	-.36	0	-79	2.60	.06	.06	50.7	.231	.224
45	.00	-.36	0	-79	2.67	.06	.06	51.8	.226	.184
46	.00	-.36	0	-79	2.74	.06	.06	52.9	.221	.144
47	.00	-.36	0	-79	2.81	.06	.06	54.0	.217	.104
48	.00	-.36	0	-79	2.88	.06	.06	55.1	.213	.064
49	.00	-.36	0	-79	2.95	.06	.06	56.2	.210	.024
50	.00	-.36	0	-79	3.02	.06	.06	57.3	.207	.004
51	.00	-.36	0	-79	3.10	.06	.06	58.4	.204	.000
52	.00	-.36	0	-79	3.17	.06	.06	59.5	.201	.000
53	.00	-.36	0	-79	3.24	.06	.06	60.6	.198	.000
54	.00	-.36	0	-79	3.31	.06	.06	61.7	.195	.000
55	.00	-.36	0	-79	3.38	.06	.06	62.8	.192	.000
56	.00	-.36	0	-79	3.45	.06	.06	63.9	.189	.000
57	.00	-.36	0	-79	3.52	.06	.06	65.0	.186	.000
58	.00	-.36	0	-79	3.60	.06	.06	66.1	.183	.000
59	.00	-.36	0	-79	3.67	.06	.06	67.2	.180	.000
60	.00	-.36	0	-79	3.74	.06	.06	68.3	.177	.000
61	.00	-.36	0	-79	3.81	.06	.06	69.4	.174	.000
62	.00	-.36	0	-79	3.88	.06	.06	70.5	.171	.000
63	.00	-.36	0	-79	3.95	.06	.06	71.6	.168	.000
64	.00	-.36	0	-79	4.02	.06	.06	72.7	.165	.000
65	.00	-.36	0	-79	4.10	.06	.06	73.8	.162	.000
66	.00	-.36	0	-79	4.17	.06	.06	74.9	.159	.000
67	.00	-.36	0	-79	4.24	.06	.06	76.0	.156	.000
68	.00	-.36	0	-79	4.31	.06	.06	77.1	.153	.000
69	.00	-.36	0	-79	4.38	.06	.06	78.2	.150	.000
70	.00	-.36	0	-79	4.45	.06	.06	79.3	.147	.000
71	.00	-.36	0	-79	4.52	.06	.06	80.4	.144	.000
72	.00	-.36	0	-79	4.60	.06	.06	81.5	.141	.000
73	.00	-.36	0	-79	4.67	.06	.06	82.6	.138	.000
74	.00	-.36	0	-79	4.74	.06	.06	83.7	.135	.000
75	.00	-.36	0	-79	4.81	.06	.06	84.8	.132	.000
76	.00	-.36	0	-79	4.88	.06	.06	85.9	.129	.000
77	.00	-.36	0	-79	4.95	.06	.06	87.0	.126	.000
78	.00	-.36	0	-79	5.02	.06	.06	88.1	.123	.000
79	.00	-.36	0	-79	5.10	.06	.06	89.2	.120	.000
80	.00	-.36	0	-79	5.17	.06	.06	90.3	.117	.000
81	.00	-.36	0	-79	5.24	.06	.06	91.4	.114	.000
82	.00	-.36	0	-79	5.31	.06	.06	92.5	.111	.000
83	.00	-.36	0	-79	5.38	.06	.06	93.6	.108	.000
84	.00	-.36	0	-79	5.45	.06	.06	94.7	.105	.000
85	.00	-.36	0	-79	5.52	.06	.06	95.8	.102	.000
86	.00	-.36	0	-79	5.60	.06	.06	96.9	.099	.000
87	.00	-.36	0	-79	5.67	.06	.06	98.0	.096	.000
88	.00	-.36	0	-79	5.74	.06	.06	99.1	.093	.000
89	.00	-.36	0	-79	5.81	.06	.06	100.2	.090	.000
90	.00	-.36	0	-79	5.88	.06	.06	101.3	.087	.000
91	.00	-.36	0	-79	5.95	.06	.06	102.4	.084	.000
92	.00	-.36	0	-79	6.02	.06	.06	103.5	.081	.000
93	.00	-.36	0	-79	6.10	.06	.06	104.6	.078	.000
94	.00	-.36	0	-79	6.17	.06	.06	105.7	.075	.000
95	.00	-.36	0	-79	6.24	.06	.06	106.8	.072	.000
96	.00	-.36	0	-79	6.31	.06	.06	107.9	.069	.000
97	.00	-.36	0	-79	6.38	.06	.06	109.0	.066	.000
98	.00	-.36	0	-79	6.45	.06	.06	110.1	.063	.000
99	.00	-.36	0	-79	6.52	.06	.06	111.2	.060	.000
100	.00	-.36	0	-79	6.60	.06	.06	112.3	.057	.000
101	.00	-.36	0	-79	6.67	.06	.06	113.4	.054	.000
102	.00	-.36	0	-79	6.74	.06	.06	114.5	.051	.000
103	.00	-.36	0	-79	6.81	.06	.06	115.6	.048	.000
104	.00	-.36	0	-79	6.88	.06	.06	116.7	.045	.000
105	.00	-.36	0	-79	6.95	.06	.06	117.8	.042	.000
106	.00	-.36	0	-79	7.02	.06	.06	118.9	.039	.000
107	.00	-.36	0	-79	7.10	.06	.06	120.0	.036	.000
108	.00	-.36	0	-79	7.17	.06	.06	121.1	.033	.000
109	.00	-.36	0	-79	7.24	.06	.06	122.2	.030	.000
110	.00	-.36	0	-79	7.31	.06	.06	123.3	.027	.000
111	.00	-.36	0	-79	7.38	.06	.06	124.4	.024	.000
112	.00	-.36	0	-79	7.45	.06	.06	125.5	.021	.000
113	.00	-.36	0	-79	7.52	.06	.06	126.6	.018	.000
114	.00	-.36	0	-79	7.60	.06	.06	127.7	.015	.000
115	.00	-.36	0	-79	7.67	.06	.06	128.8	.012	.000
116	.00	-.36	0	-79	7.74	.06	.06	129.9	.009	.000
117	.00	-.36	0	-79	7.81	.06	.06	131.0	.006	.000
118	.00	-.36	0	-79	7.88	.06	.06	132.1	.003	.000
119	.00	-.36	0	-79	7.95	.06	.06	133.2	.000	.000
120	.00	-.36	0	-79	8.02	.06	.06	134.3	.000	.000
121	.00	-.36	0	-79	8.10	.06	.06	135.4	.000	.000
122	.00	-.36	0	-79	8.17	.06	.06	136.5	.000	.000
123	.00	-.36	0	-79	8.24	.06	.06	137.6	.000	.000
124	.00	-.36	0	-79	8.31	.06	.06	138.7	.000	.000
125	.00	-.36	0	-79	8.38	.06	.06	139.8	.000	.000
126	.00	-.36	0	-79	8.45	.06	.06	140.9	.000	.000
127	.00	-.36	0	-79	8.52	.06	.06	142.0	.000	.000
128	.00	-.36	0	-79	8.60	.06	.06	143.1	.000	.000
129	.00	-.36	0	-79	8.67	.06	.06	144.2	.000	.000
130	.00	-.36	0	-79	8.74	.06	.06	145.3	.000	.000
131	.00	-.36	0	-79	8.81	.06	.06	146.4	.000	.000
132	.00	-.36	0	-79	8.88	.06	.06	147.5	.000	.000
133	.00	-.36	0	-79	8.95	.06	.06	148.6	.000	.000
134	.00	-.36	0	-79	9.02	.06	.06	149.7	.000	.000
135	.00	-.36	0	-79	9.10	.06	.06	150.8	.000	.000
136	.00	-.36	0	-79						

TABLE 7 -
FLOOR FORCE AND MOMENT LOADS - MAIN PLACE HOTEL -- CONF. A -- DALLAS , TEXAS

DATA FOR WIND DIR. 300 REF. PRESS. -26.5 PSF GUST FACTOR= 1.320 REF. AREA- 2000.00 FT REF. LENGTH- 200. FT

FLOOR	CFX	CFY	FORCE(X) (KIPS)	FORCE(Y) (KIPS)	CMX	CMY	CMZ	MOM(X)	MOM(Y) (1000-FT-KIPS)	MOM(Z)
1		-1.69	48.1	-133.8	.07	.02	.73	1.27	395	13.49
2		-1.74	46.2	-160.2	.21	.06	.75	3.95	1.13	13.76
3		-1.19	31.4	-109.7	.23	.06	.50	4.20	1.19	9.19
4		-1.20	32.2	-111.1	.30	.08	.49	5.47	1.47	9.01
5		-1.21	32.9	-111.1	.37	.09	.48	6.74	1.72	8.93
6		-1.23	33.6	-111.3	.44	.11	.49	8.01	2.04	8.86
7		-1.26	34.3	-111.6	.52	.13	.50	9.28	2.40	8.79
8		-1.28	35.0	-111.7	.60	.15	.50	10.55	2.74	8.72
9		-1.30	35.8	-111.9	.68	.17	.51	11.82	3.09	8.65
10			36.5	-112.1	.76	.19	.51	13.09	3.43	8.58
11			37.2	-112.3	.84	.21	.52	14.36	3.78	8.51
12			37.9	-112.5	.92	.23	.52	15.63	4.12	8.44
13			38.6	-112.7	1.00	.25	.52	16.90	4.47	8.37
14			39.3	-112.9	1.08	.27	.52	18.17	4.81	8.30
15			40.0	-113.1	1.16	.29	.52	19.44	5.16	8.23
16			40.7	-113.3	1.24	.31	.52	20.71	5.50	8.16
17			41.4	-113.5	1.32	.33	.52	21.98	5.85	8.09
18			42.1	-113.7	1.40	.35	.52	23.25	6.19	8.02
19			42.8	-113.9	1.48	.37	.52	24.52	6.54	7.95
20			43.5	-114.1	1.56	.39	.52	25.79	6.88	7.88
21			44.2	-114.3	1.64	.41	.52	27.06	7.23	7.81
22			44.9	-114.5	1.72	.43	.52	28.33	7.57	7.74
23			45.6	-114.7	1.80	.45	.52	29.60	7.92	7.67
24			46.3	-114.9	1.88	.47	.52	30.87	8.26	7.60
25			47.0	-115.1	1.96	.49	.52	32.14	8.61	7.53
26			47.7	-115.3	2.04	.51	.52	33.41	8.95	7.46
27			48.4	-115.5	2.12	.53	.52	34.68	9.30	7.39
28			49.1	-115.7	2.20	.55	.52	35.95	9.64	7.32
29			49.8	-115.9	2.28	.57	.52	37.22	9.99	7.25
30			50.5	-116.1	2.36	.59	.52	38.49	10.33	7.18
31			51.2	-116.3	2.44	.61	.52	39.76	10.68	7.11
32			51.9	-116.5	2.52	.63	.52	41.03	11.02	7.04
33			52.6	-116.7	2.60	.65	.52	42.30	11.37	6.97
34			53.3	-116.9	2.68	.67	.52	43.57	11.71	6.90
35			54.0	-117.1	2.76	.69	.52	44.84	12.06	6.83
36			54.7	-117.3	2.84	.71	.52	46.11	12.40	6.76
37			55.4	-117.5	2.92	.73	.52	47.38	12.75	6.69
38			56.1	-117.7	3.00	.75	.52	48.65	13.09	6.62
39			56.8	-117.9	3.08	.77	.52	49.92	13.44	6.55
40			57.5	-118.1	3.16	.79	.52	51.19	13.78	6.48
41			58.2	-118.3	3.24	.81	.52	52.46	14.13	6.41
42			58.9	-118.5	3.32	.83	.52	53.73	14.47	6.34
43			59.6	-118.7	3.40	.85	.52	55.00	14.82	6.27
44			60.3	-118.9	3.48	.87	.52	56.27	15.16	6.20
45			61.0	-119.1	3.56	.89	.52	57.54	15.51	6.13
46			61.7	-119.3	3.64	.91	.52	58.81	15.85	6.06
47			62.4	-119.5	3.72	.93	.52	60.08	16.20	5.99
48			63.1	-119.7	3.80	.95	.52	61.35	16.54	5.92
49			63.8	-119.9	3.88	.97	.52	62.62	16.89	5.85
50			64.5	-120.1	3.96	.99	.52	63.89	17.23	5.78
51			65.2	-120.3	4.04	1.01	.52	65.16	17.58	5.71
52			65.9	-120.5	4.12	1.03	.52	66.43	17.92	5.64
53			66.6	-120.7	4.20	1.05	.52	67.70	18.27	5.57
54			67.3	-120.9	4.28	1.07	.52	68.97	18.61	5.50
55			68.0	-121.1	4.36	1.09	.52	70.24	18.96	5.43
56			68.7	-121.3	4.44	1.11	.52	71.51	19.30	5.36
57			69.4	-121.5	4.52	1.13	.52	72.78	19.65	5.29
58			70.1	-121.7	4.60	1.15	.52	74.05	20.00	5.22
59			70.8	-121.9	4.68	1.17	.52	75.32	20.34	5.15
60			71.5	-122.1	4.76	1.19	.52	76.59	20.69	5.08
61			72.2	-122.3	4.84	1.21	.52	77.86	21.03	5.01
62			72.9	-122.5	4.92	1.23	.52	79.13	21.38	4.94
63			73.6	-122.7	5.00	1.25	.52	80.40	21.72	4.87
64			74.3	-122.9	5.08	1.27	.52	81.67	22.07	4.80
65			75.0	-123.1	5.16	1.29	.52	82.94	22.41	4.73
66			75.7	-123.3	5.24	1.31	.52	84.21	22.76	4.66
67			76.4	-123.5	5.32	1.33	.52	85.48	23.10	4.59
68			77.1	-123.7	5.40	1.35	.52	86.75	23.45	4.52
69			77.8	-123.9	5.48	1.37	.52	88.02	23.79	4.45
70			78.5	-124.1	5.56	1.39	.52	89.29	24.14	4.38
71			79.2	-124.3	5.64	1.41	.52	90.56	24.48	4.31
72			79.9	-124.5	5.72	1.43	.52	91.83	24.83	4.24
73			80.6	-124.7	5.80	1.45	.52	93.10	25.17	4.17
74			81.3	-124.9	5.88	1.47	.52	94.37	25.52	4.10
75			82.0	-125.1	5.96	1.49	.52	95.64	25.86	4.03
76			82.7	-125.3	6.04	1.51	.52	96.91	26.21	3.96
77			83.4	-125.5	6.12	1.53	.52	98.18	26.55	3.89
78			84.1	-125.7	6.20	1.55	.52	99.45	26.90	3.82
79			84.8	-125.9	6.28	1.57	.52	100.72	27.24	3.75
80			85.5	-126.1	6.36	1.59	.52	101.99	27.59	3.68
81			86.2	-126.3	6.44	1.61	.52	103.26	27.93	3.61
82			86.9	-126.5	6.52	1.63	.52	104.53	28.28	3.54
83			87.6	-126.7	6.60	1.65	.52	105.80	28.62	3.47
84			88.3	-126.9	6.68	1.67	.52	107.07	28.97	3.40
85			89.0	-127.1	6.76	1.69	.52	108.34	29.31	3.33
86			89.7	-127.3	6.84	1.71	.52	109.61	29.66	3.26
87			90.4	-127.5	6.92	1.73	.52	110.88	30.00	3.19
88			91.1	-127.7	7.00	1.75	.52	112.15	30.35	3.12
89			91.8	-127.9	7.08	1.77	.52	113.42	30.69	3.05
90			92.5	-128.1	7.16	1.79	.52	114.69	31.04	2.98
91			93.2	-128.3	7.24	1.81	.52	115.96	31.38	2.91
92			93.9	-128.5	7.32	1.83	.52	117.23	31.73	2.84
93			94.6	-128.7	7.40	1.85	.52	118.50	32.07	2.77
94			95.3	-128.9	7.48	1.87	.52	119.77	32.42	2.70
95			96.0	-129.1	7.56	1.89	.52	121.04	32.76	2.63
96			96.7	-129.3	7.64	1.91	.52	122.31	33.11	2.56
97			97.4	-129.5	7.72	1.93	.52	123.58	33.45	2.49
98			98.1	-129.7	7.80	1.95	.52	124.85	33.80	2.42
99			98.8	-129.9	7.88	1.97	.52	126.12	34.14	2.35
100			99.5	-130.1	7.96	1.99	.52	127.39	34.49	2.28
101			100.2	-130.3	8.04	2.01	.52	128.66	34.83	2.21
102			100.9	-130.5	8.12	2.03	.52	129.93	35.18	2.14
103			101.6	-130.7	8.20	2.05	.52	131.20	35.52	2.07
104			102.3	-130.9	8.28	2.07	.52	132.47	35.87	2.00
105			103.0	-131.1	8.36	2.09	.52	133.74	36.21	1.93
106			103.7	-131.3	8.44	2.11	.52	135.01	36.56	1.86
107			104.4	-131.5	8.52	2.13	.52	136.28	36.90	1.79
108			105.1	-131.7	8.60	2.15	.52	137.55	37.25	1.72
109			105.8	-131.9	8.68	2.17	.52	138.82	37.59	1.65
110			106.5	-132.1	8.76	2.19	.52	140.09	37.94	1.58
111			107.2	-132.3	8.84	2.21	.52	141.36	38.28	1.51
112			107.9	-132.5	8.92	2.23	.52	142.63	38.63	1.44
113			108.6	-132.7	9.00	2.25	.52	143.90	38.97	1.37
114			109.3	-132.9	9.08	2.27	.52	145.17	39.32	1.30
115			110.0	-133.1	9.16	2.29	.52	146.44	39.66	1.23
116			110.7	-133.3	9.24	2.31	.52	147.71	40.01	1.16
117			111.4	-133.5	9.32	2.33	.52	148.98	40.35	1.09
118			112.1	-133.7	9.40	2.35	.52	150.25	40.70	1.02
119			112.8	-133.9	9.48	2.37	.52	151.52	41.04	0.95
120			113.5	-134.1	9.56	2.39	.52	152.79	41.39	0.88
121			114.2	-134.3	9.64	2.41	.52	154.06	41.73	0.81
122			114.9	-134.5	9.72	2.43	.52	155.33	42.08	0.74
123			115.6	-134.7	9.80	2.45	.52	156.60	42.42	0.67
124			116.3	-134.9	9.88	2.47	.52	157.87	42.77	0.60
125			117.0	-135.1	9.96	2.49	.52	159.14	43.11	0.53
126			117.7	-135.3	10.04	2.51	.52	160.41	43.46	0.46
127			118.4	-135.5	10.12	2.53	.52	161.68	43.80	0.39
128			119.1	-135.7	10.20	2.55	.52	162.95	44.15	0.32
129			119.8	-135.9	10.28	2.57	.52	164.22	44.49	0.25
130			120.5	-136.1	10.36	2.59	.52	165.49		

TABLE 7 -
FLOOR FORCE AND MOMENT LOADS - MAIN PLACE HOTEL -- CONF. A -- DALLAS , TEXAS

DATA FOR WIND DIR. 285 REF. PRESS. -26.5 PSF GUST FACTOR= 1.320 REF. AREA- 2000.50 FT REF. LENGTH- 200. FT

FLOOR	CFX	CFY	FORCE(X) (KIPS)	FORCE(Y) (KIPS)	CNX	CNY	CNZ	MOM(X)	MOM(Y) (1000-FT-KIPS)	MOM(Z)
1	.57	-1.12	52.3	-103.4	.05	.02	.47	848	.429	8.682
2	.59	-1.23	54.6	-113.2	.15	.07	.54	2.786	1.343	10.057
3	.40	-.87	33.6	-68.0	.17	.08	.38	4.076	1.410	6.987
4	.38	-.91	33.5	-64.0	.22	.09	.38	4.153	1.750	6.967
5	.33	-.94	32.4	-62.2	.28	.11	.38	5.220	2.061	7.089
6	.35	-.94	32.4	-62.2	.34	.12	.39	6.217	2.308	7.229
7	.44	-.95	31.1	-62.2	.39	.14	.40	7.247	2.571	7.379
8	.42	-.95	31.1	-62.2	.45	.15	.41	8.283	2.790	7.493
9	.31	-.97	23.0	-48.8	.51	.16	.41	9.386	3.021	7.603
10	.65	-.40	23.7	-48.8	.37	.06	.06	4.253	6.885	1.075
11	.44	-.40	33.9	-48.8	.25	.41	.06	4.667	7.488	1.018
12	.64	-.40	33.8	-48.8	.28	.44	.05	5.082	8.073	.962
13	.63	-.40	33.7	-48.8	.30	.47	.05	5.499	8.652	.905
14	.63	-.40	33.7	-48.8	.32	.50	.05	5.916	9.222	.848
15	.62	-.40	33.7	-48.8	.34	.53	.04	6.336	9.779	.792
16	.62	-.40	33.7	-48.8	.37	.56	.04	6.756	10.332	.735
17	.61	-.40	33.7	-48.8	.39	.59	.04	7.165	10.884	.671
18	.63	-.40	33.7	-48.8	.41	.63	.04	7.558	11.424	.611
19	.63	-.40	33.7	-48.8	.43	.67	.03	7.950	11.951	.631
20	.44	-.40	33.7	-48.8	.45	.72	.03	8.340	12.466	.611
21	.64	-.40	33.7	-48.8	.47	.76	.03	8.729	12.967	.591
22	.65	-.40	33.7	-48.8	.49	.81	.03	9.115	13.451	.571
23	.66	-.40	33.7	-48.8	.51	.85	.03	9.500	13.922	.551
24	.66	-.40	33.7	-48.8	.54	.90	.03	9.898	14.380	.539
25	.66	-.40	33.7	-48.8	.56	.95	.03	10.294	14.825	.548
26	.66	-.40	33.7	-48.8	.59	1.00	.03	10.688	15.258	.558
27	.66	-.40	33.7	-48.8	.61	1.05	.03	11.079	15.679	.567
28	.66	-.41	33.7	-48.8	.64	1.11	.03	11.467	16.088	.587
29	.66	-.41	33.7	-48.8	.66	1.17	.03	11.853	16.486	.577
30	.66	-.41	33.7	-48.8	.68	1.22	.03	12.237	16.873	.579
31	.66	-.41	33.7	-48.8	.70	1.26	.03	12.619	17.249	.571
32	.66	-.41	33.7	-48.8	.73	1.30	.03	13.000	17.614	.563
33	.66	-.41	33.7	-48.8	.75	1.35	.03	13.379	17.968	.554
34	.66	-.41	33.7	-48.8	.77	1.39	.03	13.756	18.311	.546
35	.66	-.41	33.7	-48.8	.79	1.43	.03	14.131	18.643	.539
36	.66	-.41	33.7	-48.8	.82	1.48	.03	14.504	18.965	.509
37	.66	-.41	33.7	-48.8	.85	1.53	.02	14.875	19.278	.509
38	.66	-.40	33.7	-48.8	.88	1.58	.02	15.244	19.581	.509
39	.66	-.54	33.7	-48.8	.91	1.62	.02	15.611	19.875	.520
					1.19	2.07	.02	21.960	38.199	.518

TABLE 7 -
FLOOR FORCE AND MOMENT LOADS - MAIN PLACE HOTEL -- CONF. A -- DALLAS , TEXAS

DATA FOR WIND DIR. 270 REF. PRESS. -26.5 PSF GUST FACTOR= 1.320 REF. AREA- 2000.00 FT REF. LENGTH- 200.00 FT

FLOOR	CFX	CFY	FORCE(X) (KIPS)	FORCE(Y) (KIPS)	CMX	CMY	CMZ	MOM(X)	MOM(Y) (1000-FT-KIPS)	MOM(Z)
1	.59	.70	54.9	-64.3	.03	.02	.30	.527	.451	.5
2	.339	.339	34.4	-70.0	.09	.07	.34	1.721	1.336	5.5
3	.38	.339	36.0	-50.5	.10	.08	.25	1.936	1.391	6.5
4	.36	.339	33.0	-54.1	.14	.09	.25	2.668	1.724	4.4
5	.34	.339	31.0	-56.6	.18	.11	.28	3.413	2.025	4.4
6	.32	.339	29.0	-57.5	.22	.12	.30	4.099	2.235	4.4
7	.31	.339	28.0	-58.7	.26	.13	.33	4.831	2.436	4.4
8	.29	.339	26.0	-60.4	.30	.14	.33	5.632	2.648	4.4
9	.26	.339	22.0	-61.5	.35	.15	.33	6.418	2.775	4.4
10	.22	.339	18.0	-61.2	.41	.15	.33	7.188	2.928	4.4
11	.19	.339	17.0	-60.3	.47	.14	.33	7.943	3.096	4.4
12	.17	.339	17.0	-58.7	.50	.13	.33	8.680	3.277	4.4
13	.16	.339	16.0	-56.9	.54	.12	.33	9.408	3.470	4.4
14	.14	.339	15.0	-54.5	.57	.11	.33	10.127	3.673	4.4
15	.13	.339	14.0	-51.1	.60	.10	.33	10.837	3.883	4.4
16	.12	.339	13.0	-46.6	.63	.09	.33	11.537	4.104	4.4
17	.11	.339	12.0	-41.1	.65	.08	.33	12.227	4.337	4.4
18	.10	.339	11.0	-34.2	.67	.07	.33	12.909	4.584	4.4
19	.09	.339	10.0	-26.2	.69	.06	.33	13.584	4.844	4.4
20	.08	.339	9.0	-17.4	.70	.05	.33	14.254	5.115	4.4
21	.07	.339	8.0	-12.5	.71	.04	.33	14.919	5.401	4.4
22	.06	.339	7.0	-11.1	.71	.03	.33	15.579	5.701	4.4
23	.05	.339	6.0	-10.0	.71	.02	.33	16.234	6.014	4.4
24	.04	.339	5.0	-9.9	.71	.01	.33	16.884	6.341	4.4
25	.03	.339	4.0	-9.9	.71	.00	.33	17.529	6.681	4.4
26	.02	.339	3.0	-9.9	.71	.00	.33	18.169	7.034	4.4
27	.01	.339	2.0	-9.9	.71	.00	.33	18.804	7.399	4.4
28	.00	.339	1.0	-9.9	.71	.00	.33	19.434	7.774	4.4
29	.00	.339	.0	-9.9	.71	.00	.33	20.059	8.159	4.4
30	.00	.339	.0	-9.9	.71	.00	.33	20.679	8.554	4.4
31	.00	.339	.0	-9.9	.71	.00	.33	21.294	8.959	4.4
32	.00	.339	.0	-9.9	.71	.00	.33	21.904	9.374	4.4
33	.00	.339	.0	-9.9	.71	.00	.33	22.509	9.799	4.4
34	.00	.339	.0	-9.9	.71	.00	.33	23.109	10.234	4.4
35	.00	.339	.0	-9.9	.71	.00	.33	23.704	10.679	4.4
36	.00	.339	.0	-9.9	.71	.00	.33	24.294	11.134	4.4
37	.00	.339	.0	-9.9	.71	.00	.33	24.879	11.609	4.4
38	.00	.339	.0	-9.9	.71	.00	.33	25.459	12.094	4.4
39	.00	.339	.0	-9.9	.71	.00	.33	26.034	12.589	4.4
40	.00	.339	.0	-9.9	.71	.00	.33	26.604	13.094	4.4
41	.00	.339	.0	-9.9	.71	.00	.33	27.169	13.609	4.4
42	.00	.339	.0	-9.9	.71	.00	.33	27.729	14.134	4.4
43	.00	.339	.0	-9.9	.71	.00	.33	28.284	14.669	4.4
44	.00	.339	.0	-9.9	.71	.00	.33	28.834	15.214	4.4
45	.00	.339	.0	-9.9	.71	.00	.33	29.379	15.769	4.4
46	.00	.339	.0	-9.9	.71	.00	.33	29.919	16.334	4.4
47	.00	.339	.0	-9.9	.71	.00	.33	30.454	16.909	4.4
48	.00	.339	.0	-9.9	.71	.00	.33	30.984	17.494	4.4
49	.00	.339	.0	-9.9	.71	.00	.33	31.509	18.089	4.4
50	.00	.339	.0	-9.9	.71	.00	.33	32.029	18.694	4.4
51	.00	.339	.0	-9.9	.71	.00	.33	32.544	19.309	4.4
52	.00	.339	.0	-9.9	.71	.00	.33	33.054	19.934	4.4
53	.00	.339	.0	-9.9	.71	.00	.33	33.559	20.569	4.4
54	.00	.339	.0	-9.9	.71	.00	.33	34.059	21.214	4.4
55	.00	.339	.0	-9.9	.71	.00	.33	34.554	21.869	4.4
56	.00	.339	.0	-9.9	.71	.00	.33	35.044	22.534	4.4
57	.00	.339	.0	-9.9	.71	.00	.33	35.529	23.209	4.4
58	.00	.339	.0	-9.9	.71	.00	.33	36.009	23.894	4.4
59	.00	.339	.0	-9.9	.71	.00	.33	36.484	24.589	4.4
60	.00	.339	.0	-9.9	.71	.00	.33	36.954	25.294	4.4
61	.00	.339	.0	-9.9	.71	.00	.33	37.419	26.009	4.4
62	.00	.339	.0	-9.9	.71	.00	.33	37.879	26.734	4.4
63	.00	.339	.0	-9.9	.71	.00	.33	38.334	27.469	4.4
64	.00	.339	.0	-9.9	.71	.00	.33	38.784	28.214	4.4
65	.00	.339	.0	-9.9	.71	.00	.33	39.229	28.969	4.4
66	.00	.339	.0	-9.9	.71	.00	.33	39.669	29.734	4.4
67	.00	.339	.0	-9.9	.71	.00	.33	40.104	30.509	4.4
68	.00	.339	.0	-9.9	.71	.00	.33	40.534	31.294	4.4
69	.00	.339	.0	-9.9	.71	.00	.33	40.959	32.089	4.4
70	.00	.339	.0	-9.9	.71	.00	.33	41.379	32.894	4.4
71	.00	.339	.0	-9.9	.71	.00	.33	41.794	33.709	4.4
72	.00	.339	.0	-9.9	.71	.00	.33	42.204	34.534	4.4
73	.00	.339	.0	-9.9	.71	.00	.33	42.609	35.369	4.4
74	.00	.339	.0	-9.9	.71	.00	.33	43.009	36.214	4.4
75	.00	.339	.0	-9.9	.71	.00	.33	43.404	37.069	4.4
76	.00	.339	.0	-9.9	.71	.00	.33	43.794	37.934	4.4
77	.00	.339	.0	-9.9	.71	.00	.33	44.179	38.809	4.4
78	.00	.339	.0	-9.9	.71	.00	.33	44.559	39.694	4.4
79	.00	.339	.0	-9.9	.71	.00	.33	44.934	40.589	4.4
80	.00	.339	.0	-9.9	.71	.00	.33	45.304	41.494	4.4
81	.00	.339	.0	-9.9	.71	.00	.33	45.669	42.409	4.4
82	.00	.339	.0	-9.9	.71	.00	.33	46.029	43.334	4.4
83	.00	.339	.0	-9.9	.71	.00	.33	46.384	44.269	4.4
84	.00	.339	.0	-9.9	.71	.00	.33	46.734	45.214	4.4
85	.00	.339	.0	-9.9	.71	.00	.33	47.079	46.169	4.4
86	.00	.339	.0	-9.9	.71	.00	.33	47.419	47.134	4.4
87	.00	.339	.0	-9.9	.71	.00	.33	47.754	48.109	4.4
88	.00	.339	.0	-9.9	.71	.00	.33	48.084	49.094	4.4
89	.00	.339	.0	-9.9	.71	.00	.33	48.409	50.089	4.4
90	.00	.339	.0	-9.9	.71	.00	.33	48.729	51.094	4.4
91	.00	.339	.0	-9.9	.71	.00	.33	49.044	52.109	4.4
92	.00	.339	.0	-9.9	.71	.00	.33	49.354	53.134	4.4
93	.00	.339	.0	-9.9	.71	.00	.33	49.659	54.169	4.4
94	.00	.339	.0	-9.9	.71	.00	.33	49.959	55.214	4.4
95	.00	.339	.0	-9.9	.71	.00	.33	50.254	56.269	4.4
96	.00	.339	.0	-9.9	.71	.00	.33	50.544	57.334	4.4
97	.00	.339	.0	-9.9	.71	.00	.33	50.829	58.409	4.4
98	.00	.339	.0	-9.9	.71	.00	.33	51.109	59.494	4.4
99	.00	.339	.0	-9.9	.71	.00	.33	51.379	60.589	4.4
100	.00	.339	.0	-9.9	.71	.00	.33	51.644	61.694	4.4
101	.00	.339	.0	-9.9	.71	.00	.33	51.904	62.809	4.4
102	.00	.339	.0	-9.9	.71	.00	.33	52.159	63.934	4.4
103	.00	.339	.0	-9.9	.71	.00	.33	52.409	65.069	4.4
104	.00	.339	.0	-9.9	.71	.00	.33	52.654	66.214	4.4
105	.00	.339	.0	-9.9	.71	.00	.33	52.894	67.369	4.4
106	.00	.339	.0	-9.9	.71	.00	.33	53.129	68.534	4.4
107	.00	.339	.0	-9.9	.71	.00	.33	53.359	69.709	4.4
108	.00	.339	.0	-9.9	.71	.00	.33	53.584	70.894	4.4
109	.00	.339	.0	-9.9	.71	.00	.33	53.804	72.089	4.4
110	.00	.339	.0	-9.9	.71	.00	.33	54.019	73.294	4.4
111	.00	.339	.0	-9.9	.71	.00	.33	54.229	74.509	4.4
112	.00	.339	.0	-9.9	.71	.00	.33	54.434	75.734	4.4
113	.00	.339	.0	-9.9	.71	.00	.33	54.634	76.969	4.4
114	.00	.339	.0	-9.9	.71	.00	.33	54.829	78.214	4.4
115	.00	.339	.0	-9.9	.71	.00	.33	55.019	79.469	4.4
116	.00	.339	.0	-9.9	.71	.00	.33	55.204	80.734	4.4
117	.00	.339	.0	-9.9	.71	.00	.33	55.384	82.009	4.4
118	.00	.339	.0	-9.9	.71	.00	.33	55.559	83.294	4.4
119	.00	.339	.0	-9.9	.71	.00	.33	55.729	84.589	4.4
120	.00	.339	.0	-9.9	.71	.00	.33	55.894	85.894	4.4
121	.00	.339	.0	-9.9	.71	.00	.33	56.054	87.209	4.4
122	.00	.339	.0	-9.9	.71	.00	.33	56.209	88.534	4.4
123	.00	.339	.0	-9.9	.71	.00	.33	56.359	89.869	4.4
124	.00	.339	.0	-9.9	.71	.00	.33	56.504	91.214	4.4
125	.00	.339	.0	-9.9	.71	.00	.33	56.644	92.569	4.4
126	.00	.339	.0	-9.9	.71	.00	.33	56.779	93.934	4.4
127	.00	.339	.0	-9.9	.71	.00	.33	56.909	95.309	4.4
128	.00	.339	.0	-9.9	.71	.00	.33	57.034	96.694	4.4
129	.00	.339	.0	-9.9	.71	.00	.33	57.154	98.089	4.4
130	.00	.339	.0	-9.9	.71	.00	.33	57.269	99.494	4.4
131	.00	.339	.0	-						

TABLE 7 -
FLOOR FORCE AND MOMENT LOADS - MAIN PLACE HOTEL -- CONF. A -- DALLAS , TEXAS

DATA FOR WIND DIR. 255 REF. PRESS. -26.5 PSF GUST FACTOR= 1.320 REF. AREA- 2000.50 FT REF. LENGTH- 200. FT

FLOOR	CFX	CFY	FORCE(X) (KIPS)	FORCE(Y) (KIPS)	CMX	CMY	CMZ	MOM(X)	MOM(Y) (1000-FT-KIPS)	MOM(Z)
1	.48	.33	44.2	-33.0	.01	.02	.15	2.50	.362	2.809
2	.48	.26	46.1	-24.0	.03	.06	.16	5.97	1.134	2.867
3	.48	.17	30.1	-15.0	.03	.06	.10	5.98	1.181	1.916
4	.48	.18	29.9	-16.0	.04	.08	.09	8.26	1.466	1.748
5	.48	.18	27.0	-16.0	.05	.09	.10	9.82	1.742	1.760
6	.48	.18	27.0	-17.0	.07	.11	.10	12.13	1.949	1.831
7	.48	.19	26.7	-17.0	.08	.12	.10	14.74	2.163	1.909
8	.48	.20	24.6	-18.0	.09	.13	.11	17.09	2.326	1.979
9	.48	.20	23.4	-18.0	.10	.13	.12	19.09	2.405	2.141
10	.48	.04	11.8	-.02	.02	.03	.10	3.95	1.757	1.757
11	.48	.03	8.8	-.02	.02	.03	.09	5.51	7.799	1.684
12	.48	.02	6.1	-.02	.02	.03	.09	7.92	8.391	1.610
13	.48	.02	4.6	-.01	.01	.02	.08	9.92	8.969	1.537
14	.48	.01	3.7	-.01	.01	.01	.08	13.0	9.533	1.464
15	.48	.00	2.8	-.00	.00	.00	.08	16.8	10.083	1.391
16	.48	.01	2.1	-.00	.00	.00	.07	21.8	10.619	1.318
17	.48	.01	1.7	-.01	.01	.01	.07	28.0	11.134	1.262
18	.48	.03	1.4	-.03	.03	.03	.07	35.7	12.040	1.381
19	.48	.05	1.1	-.05	.05	.05	.08	45.2	12.976	1.500
20	.48	.07	0.9	-.07	.07	.07	.09	57.7	13.941	1.619
21	.48	.09	0.8	-.09	.11	.11	.10	73.0	14.935	1.738
22	.48	.11	0.7	-.11	.14	.14	.10	91.4	15.959	1.857
23	.48	.13	0.6	-.13	.17	.17	.11	111.8	17.011	1.976
24	.48	.15	0.5	-.15	.20	.20	.11	134.8	18.090	2.090
25	.48	.15	0.5	-.15	.22	.22	.12	160.0	19.127	1.755
26	.48	.15	0.5	-.15	.23	.23	.12	188.0	20.187	2.260
27	.48	.15	0.5	-.15	.23	.23	.13	219.0	21.271	3.444
28	.48	.16	0.4	-.16	.23	.23	.13	253.0	22.378	4.299
29	.48	.16	0.4	-.16	.23	.23	.14	290.0	23.557	4.977
30	.48	.15	0.4	-.15	.23	.23	.14	330.0	24.811	5.518
31	.48	.14	0.4	-.14	.23	.23	.14	372.0	26.147	5.939
32	.48	.14	0.4	-.14	.23	.23	.14	416.0	27.571	6.260
33	.48	.14	0.4	-.14	.23	.23	.14	462.0	29.084	6.580
34	.48	.13	0.4	-.13	.23	.23	.14	510.0	30.687	6.900
35	.48	.13	0.4	-.13	.23	.23	.14	560.0	32.381	7.220
36	.48	.11	0.4	-.11	.23	.23	.14	612.0	34.167	7.540
37	.48	.11	0.4	-.11	.23	.23	.13	666.0	36.047	7.860
38	.48	.11	0.4	-.11	.23	.23	.13	722.0	38.023	8.180
39	.48	.11	0.4	-.11	.23	.23	.13	780.0	40.097	8.500
40	.48	.11	0.4	-.11	.23	.23	.13	840.0	42.271	8.820
41	.48	.11	0.4	-.11	.23	.23	.13	902.0	44.547	9.140
42	.48	.11	0.4	-.11	.23	.23	.13	966.0	46.923	9.460
43	.48	.11	0.4	-.11	.23	.23	.13	1032.0	49.400	9.780
44	.48	.11	0.4	-.11	.23	.23	.13	1100.0	51.977	10.100
45	.48	.11	0.4	-.11	.23	.23	.13	1170.0	54.654	10.420
46	.48	.11	0.4	-.11	.23	.23	.13	1242.0	57.431	10.740
47	.48	.11	0.4	-.11	.23	.23	.13	1316.0	60.308	11.060
48	.48	.11	0.4	-.11	.23	.23	.13	1392.0	63.285	11.380
49	.48	.11	0.4	-.11	.23	.23	.13	1470.0	66.362	11.700
50	.48	.11	0.4	-.11	.23	.23	.13	1550.0	69.539	12.020
51	.48	.11	0.4	-.11	.23	.23	.13	1632.0	72.816	12.340
52	.48	.11	0.4	-.11	.23	.23	.13	1716.0	76.193	12.660
53	.48	.11	0.4	-.11	.23	.23	.13	1802.0	79.670	12.980
54	.48	.11	0.4	-.11	.23	.23	.13	1890.0	83.247	13.300
55	.48	.11	0.4	-.11	.23	.23	.13	1980.0	86.924	13.620
56	.48	.11	0.4	-.11	.23	.23	.13	2072.0	90.701	13.940
57	.48	.11	0.4	-.11	.23	.23	.13	2166.0	94.578	14.260
58	.48	.11	0.4	-.11	.23	.23	.13	2262.0	98.555	14.580
59	.48	.11	0.4	-.11	.23	.23	.13	2360.0	102.632	14.900
60	.48	.11	0.4	-.11	.23	.23	.13	2460.0	106.809	15.220
61	.48	.11	0.4	-.11	.23	.23	.13	2562.0	111.086	15.540
62	.48	.11	0.4	-.11	.23	.23	.13	2666.0	115.463	15.860
63	.48	.11	0.4	-.11	.23	.23	.13	2772.0	120.040	16.180
64	.48	.11	0.4	-.11	.23	.23	.13	2880.0	124.817	16.500
65	.48	.11	0.4	-.11	.23	.23	.13	2990.0	129.694	16.820
66	.48	.11	0.4	-.11	.23	.23	.13	3102.0	134.771	17.140
67	.48	.11	0.4	-.11	.23	.23	.13	3216.0	140.048	17.460
68	.48	.11	0.4	-.11	.23	.23	.13	3332.0	145.525	17.780
69	.48	.11	0.4	-.11	.23	.23	.13	3450.0	151.202	18.100
70	.48	.11	0.4	-.11	.23	.23	.13	3570.0	157.079	18.420
71	.48	.11	0.4	-.11	.23	.23	.13	3692.0	163.156	18.740
72	.48	.11	0.4	-.11	.23	.23	.13	3816.0	169.433	19.060
73	.48	.11	0.4	-.11	.23	.23	.13	3942.0	175.910	19.380
74	.48	.11	0.4	-.11	.23	.23	.13	4070.0	182.587	19.700
75	.48	.11	0.4	-.11	.23	.23	.13	4200.0	189.464	20.020
76	.48	.11	0.4	-.11	.23	.23	.13	4332.0	196.541	20.340
77	.48	.11	0.4	-.11	.23	.23	.13	4466.0	203.818	20.660
78	.48	.11	0.4	-.11	.23	.23	.13	4602.0	211.295	20.980
79	.48	.11	0.4	-.11	.23	.23	.13	4740.0	218.972	21.300
80	.48	.11	0.4	-.11	.23	.23	.13	4880.0	226.849	21.620
81	.48	.11	0.4	-.11	.23	.23	.13	5022.0	234.926	21.940
82	.48	.11	0.4	-.11	.23	.23	.13	5166.0	243.203	22.260
83	.48	.11	0.4	-.11	.23	.23	.13	5312.0	251.680	22.580
84	.48	.11	0.4	-.11	.23	.23	.13	5460.0	260.357	22.900
85	.48	.11	0.4	-.11	.23	.23	.13	5610.0	269.234	23.220
86	.48	.11	0.4	-.11	.23	.23	.13	5762.0	278.311	23.540
87	.48	.11	0.4	-.11	.23	.23	.13	5916.0	287.588	23.860
88	.48	.11	0.4	-.11	.23	.23	.13	6072.0	297.065	24.180
89	.48	.11	0.4	-.11	.23	.23	.13	6230.0	306.742	24.500
90	.48	.11	0.4	-.11	.23	.23	.13	6390.0	316.619	24.820
91	.48	.11	0.4	-.11	.23	.23	.13	6552.0	326.696	25.140
92	.48	.11	0.4	-.11	.23	.23	.13	6716.0	336.973	25.460
93	.48	.11	0.4	-.11	.23	.23	.13	6882.0	347.450	25.780
94	.48	.11	0.4	-.11	.23	.23	.13	7050.0	358.127	26.100
95	.48	.11	0.4	-.11	.23	.23	.13	7220.0	368.904	26.420
96	.48	.11	0.4	-.11	.23	.23	.13	7392.0	379.781	26.740
97	.48	.11	0.4	-.11	.23	.23	.13	7566.0	390.858	27.060
98	.48	.11	0.4	-.11	.23	.23	.13	7742.0	402.135	27.380
99	.48	.11	0.4	-.11	.23	.23	.13	7920.0	413.612	27.700
100	.48	.11	0.4	-.11	.23	.23	.13	8100.0	425.289	28.020
101	.48	.11	0.4	-.11	.23	.23	.13	8282.0	437.166	28.340
102	.48	.11	0.4	-.11	.23	.23	.13	8466.0	449.243	28.660
103	.48	.11	0.4	-.11	.23	.23	.13	8652.0	461.520	28.980
104	.48	.11	0.4	-.11	.23	.23	.13	8840.0	474.097	29.300
105	.48	.11	0.4	-.11	.23	.23	.13	9030.0	486.874	29.620
106	.48	.11	0.4	-.11	.23	.23	.13	9222.0	499.851	29.940
107	.48	.11	0.4	-.11	.23	.23	.13	9416.0	513.028	30.260
108	.48	.11	0.4	-.11	.23	.23	.13	9612.0	526.405	30.580
109	.48	.11	0.4	-.11	.23	.23	.13	9810.0	540.982	30.900
110	.48	.11	0.4	-.11	.23	.23	.13	10010.0	555.759	31.220
111	.48	.11	0.4	-.11	.23	.23	.13	10212.0	570.736	31.540
112	.48	.11	0.4	-.11	.23	.23	.13	10416.0	585.913	31.860
113	.48	.11	0.4	-.11	.23	.23	.13	10622.0	601.290	32.180
114	.48	.11	0.4	-.11	.23	.23	.13	10830.0	616.867	32.500
115	.48	.11	0.4	-.11	.23	.23	.13	11040.0	632.644	32.820
116	.48	.11	0.4	-.11	.23	.23	.13	11252.0	648.621	33.140
117	.48	.11	0.4	-.11	.23	.23	.13	11466.0	664.898	33.460
118	.48	.11	0.4	-.11	.23	.23	.13	11682.0	681.475	33.780
119	.48	.11	0.4	-.11	.23	.23	.13	11900.0	698.352	34.100
120	.48	.11	0.4	-.11	.23	.23	.13	12120.0	715.529	34.420
121	.48	.11	0.4	-.11	.23	.23	.13	12342.0	732.906	34.740
122	.48	.11	0.4	-.11	.23	.23	.13	12566.0	750.483	35.060
123	.48	.11	0.4	-.11	.23	.23	.13	12792.0	768.260	35.380
124	.48	.11	0.4	-.11	.23	.23	.13	13020.0	786.237	35.700
125	.48	.11	0.4	-.11	.23	.23	.13	13250.0	804.414	36.020
126	.48	.11	0.4	-.11	.23	.23	.13			

TABLE 7 -
FLOOR FORCE AND MOMENT LOADS - MAIN PLACE HOTEL -- CONF. A -- DALLAS , TEXAS

DATA FOR WIND DIR. 240 REF. PRESS. -26.5 PSF GUST FACTOR= 1.320 REF. AREA- 2000 SQ FT REF. LENGTH- 200 FT

FLOOR	CFX	CFY	FORCE(X) (KIPS)	FORCE(Y) (KIPS)	CMX	CMY	CMZ	MOM(X)	MOM(Y) (1000-FT-KIPS)	MOM(Z)
10	.43	-.21	39.9	-19.7	.01	.02	.05	.161	.327	.933
11	.44	-.10	40.8	-9.1	.01	.05	.05	.225	1.005	.862
12	.44	-.02	28.0	-2.2	.00	.06	.02	.083	1.073	.428
13	.30	-.01	28.0	-1.2	.00	.07	.01	.057	1.382	.144
14	.30	.01	28.0	.9	.00	.09	.00	.056	1.701	.055
15	.30	.01	28.0	1.0	.00	.11	.01	.072	2.005	.187
16	.30	.01	28.0	1.0	.00	.13	.02	.084	2.351	.438
17	.30	.03	22.7	2.7	.01	.14	.04	.208	2.581	.692
18	.30	.05	26.6	4.4	.02	.15	.04	.457	2.769	.829
19	.30	.01	64.4	-1.1	.01	.40	.11	.149	7.425	.051
20	.30	.01	64.4	-1.1	.01	.44	.11	.163	8.113	.066
21	.30	.01	64.4	-1.1	.01	.48	.11	.176	8.797	.081
22	.30	.01	64.4	-1.1	.01	.51	.11	.189	9.477	.095
23	.30	.01	64.4	-1.1	.01	.55	.11	.200	10.154	.110
24	.30	.01	64.4	-1.1	.01	.59	.12	.211	10.827	.125
25	.30	.01	64.4	-1.1	.01	.62	.12	.222	11.497	.140
26	.30	.01	64.4	-1.1	.01	.66	.12	.232	12.135	.150
27	.30	.01	64.4	-1.1	.01	.71	.12	.243	13.062	.165
28	.30	.00	64.4	-1.1	.00	.75	.13	.253	14.015	.180
29	.30	.00	64.4	-1.1	.00	.81	.14	.263	14.993	.195
30	.30	.00	64.4	-1.1	.00	.87	.14	.273	15.996	.210
31	.30	.01	70.0	1.0	.01	.92	.14	.284	17.024	.225
32	.30	.01	71.0	1.0	.01	.98	.15	.294	18.078	.240
33	.30	.01	72.0	1.0	.01	1.04	.15	.317	19.161	.255
34	.30	.01	73.0	1.0	.01	1.10	.16	.341	20.261	.270
35	.30	.01	74.0	1.0	.01	1.16	.16	.364	21.386	.285
36	.30	.00	74.0	1.0	.00	1.22	.17	.388	22.536	.300
37	.30	.00	75.0	1.0	.00	1.28	.17	.411	23.711	.315
38	.30	.00	76.0	1.0	.00	1.35	.18	.435	24.947	.330
39	.30	.01	77.0	1.0	.01	1.40	.18	.459	26.249	.345
40	.30	.01	77.0	1.0	.01	1.46	.18	.483	27.617	.360
41	.30	.01	78.0	1.0	.02	1.51	.18	.507	29.057	.375
42	.30	.00	78.0	1.0	.00	1.57	.18	.531	30.569	.390
43	.30	.00	79.0	1.0	.00	1.63	.18	.555	32.154	.405
44	.30	.00	79.0	1.0	.00	1.68	.18	.579	33.813	.420
45	.30	.04	83.0	4.4	.04	1.74	.18	.603	35.547	.435
46	.30	.04	83.0	4.4	.04	1.80	.17	.627	37.357	.450
47	.30	.04	83.0	4.4	.04	1.85	.18	.651	39.243	.465
48	.30	.04	83.0	4.4	.04	1.91	.17	.675	41.205	.480
49	.30	.06	83.0	4.4	.06	1.97	.23	.700	43.243	.495

TABLE 7 -
 FLOOR FORCE AND MOMENT LOADS - MAIN PLACE HOTEL -- CONF. A -- DALLAS , TEXAS
 DATA FOR WIND DIR. 225 REF. PRESS. -26.5 PSF GUST FACTOR= 1.320 REF. AREA- 2000. SQ FT REF. LENGTH- 200. FT

FLOOR	CFX	CFY	FORCE(X) (KIPS)	FORCE(Y) (KIPS)	CMX	CMY	CMZ	MOM(X)	MOM(Y) (1000-FT-KIPS)	MOM(Z)
1	.17	.12	15.6	10.7	-.00	.01	-.07	-.088	.128	-.1
2	.20	.11	18.3	14.7	-.00	.02	-.07	-.358	.450	-.1
3	.14	.09	13.1	9.9	-.00	.03	-.07	-.371	.501	-.1
4	.15	.08	13.5	11.1	-.00	.04	-.06	-.403	.664	-.1
5	.15	.06	14.0	7.7	-.00	.05	-.06	-.430	.847	-.1
6	.15	.06	13.6	6.0	-.00	.05	-.04	-.425	.966	-.1
7	.14	.06	12.8	5.7	-.00	.06	-.03	-.469	1.051	-.1
8	.12	.08	10.8	1.1	-.00	.05	-.01	-.665	1.007	-.1
9	.12	.06	11.4	5.5	-.00	.06	-.00	-.569	1.193	-.1
10	.50	.01	46.5	1.9	-.01	.29	-.12	-.141	3.359	-.00
11	.50	.01	46.5	7.7	-.01	.32	-.12	-.118	3.874	-.22
12	.50	.01	46.5	7.7	-.00	.35	-.13	-.090	4.390	-.22
13	.50	.00	46.6	1.4	-.00	.37	-.13	-.055	4.907	-.22
14	.50	.00	46.6	1.4	-.00	.40	-.13	-.015	5.424	-.22
15	.50	.00	46.6	1.1	-.00	.43	-.14	.032	5.941	-.22
16	.50	.00	46.7	1.1	-.00	.46	-.14	.085	6.460	-.22
17	.53	.01	46.6	1.1	-.01	.49	-.14	.181	6.968	-.22
18	.53	.02	48.8	1.9	-.02	.54	-.15	.390	7.477	-.22
19	.55	.03	51.0	1.9	-.03	.59	-.15	.621	7.985	-.22
20	.58	.04	53.1	1.9	-.04	.65	-.15	.874	8.492	-.22
21	.60	.05	55.3	1.4	-.05	.71	-.16	1.148	8.999	-.22
22	.62	.05	57.5	1.4	-.06	.77	-.16	1.443	9.506	-.22
23	.65	.07	59.6	1.6	-.07	.83	-.17	1.760	10.013	-.22
24	.67	.08	61.6	1.7	-.08	.90	-.17	2.067	10.520	-.22
25	.68	.09	63.2	1.7	-.09	.96	-.17	2.389	11.027	-.22
26	.70	.09	64.8	1.7	-.10	1.02	-.17	2.722	11.534	-.22
27	.72	.10	66.4	1.1	-.11	1.09	-.18	3.066	12.041	-.22
28	.74	.11	68.0	1.1	-.12	1.15	-.18	3.420	12.548	-.22
29	.77	.11	69.8	1.1	-.13	1.22	-.18	3.785	13.055	-.22
30	.77	.11	70.7	1.1	-.14	1.28	-.18	4.161	13.562	-.22
31	.78	.12	71.7	1.1	-.15	1.34	-.18	4.547	14.069	-.22
32	.79	.12	72.7	1.1	-.16	1.41	-.18	4.943	14.576	-.22
33	.80	.12	73.6	1.1	-.17	1.47	-.18	5.349	15.083	-.22
34	.80	.12	74.6	1.1	-.18	1.53	-.18	5.765	15.590	-.22
35	.81	.12	75.6	1.1	-.19	1.60	-.19	6.191	16.097	-.22
36	.82	.14	76.6	1.1	-.20	1.67	-.19	6.627	16.604	-.22
37	.83	.17	80.5	1.1	-.21	1.80	-.19	7.073	17.111	-.22
38	.83	.17	76.7	1.1	-.22	1.76	-.18	7.528	17.618	-.22
39	.07	.20	99.2	1.9	-.23	1.84	-.17	7.993	18.125	-.22

TABLE 7 -
 FLOOR FORCE AND MOMENT LOADS - MAIN PLACE HOTEL -- CONF. A -- DALLAS , TEXAS
 DATA FOR WIND DIR. 210 REF. PRESS. -26.5 PSF GUST FACTOR= 1.320 REF. AREA- 2000.00 SQ FT REF. LENGTH- 200.00 FT

FLOOR	CFX	CFY	FORCE(X) (KIPS)	FORCE(Y) (KIPS)	CMX	CMY	CMZ	MOM(X)	MOM(Y) (1000-FT-KIPS)	MOM(Z)
1	.01	.66	1.0	60.6	-.03	.00	-.27	-.497	.008	-.007
2	.04	.77	.33	70.7	-.09	.00	-.28	-.738	.084	-.110
3	.04	.52	.33	47.7	-.10	.01	-.19	-.828	.147	-.120
4	.03	.50	.33	45.9	-.12	.01	-.20	-.263	.154	-.653
5	.01	.49	.22	44.9	-.15	.01	-.21	-.710	.148	-.677
6	.01	.49	.22	45.0	-.17	.00	-.20	-.206	.067	-.622
7	.01	.49	.22	46.0	-.17	.00	-.20	-.800	.060	-.655
8	.01	.49	.22	47.1	-.18	.01	-.19	-.393	.155	-.622
9	.01	.49	.22	48.0	-.18	.00	-.19	-.890	.024	-.666
10	.01	.49	.22	48.0	-.18	.00	-.19	-.331	.024	-.666
11	.01	.49	.22	23.3	-.16	.22	-.09	-.946	.401	-.344
12	.01	.49	.22	23.3	-.17	.24	-.10	-.153	.443	-.311
13	.01	.49	.22	23.3	-.18	.26	-.11	-.353	.485	-.288
14	.01	.49	.22	22.6	-.19	.29	-.11	-.544	.485	-.288
15	.01	.49	.22	21.9	-.20	.31	-.12	-.728	.555	-.292
16	.01	.49	.22	21.1	-.21	.34	-.13	-.904	.635	-.301
17	.01	.49	.22	21.1	-.21	.36	-.13	-.050	.635	-.301
18	.01	.49	.22	20.2	-.22	.40	-.13	-.111	.777	-.318
19	.01	.49	.22	19.4	-.22	.43	-.14	-.153	.799	-.319
20	.01	.49	.22	18.5	-.23	.47	-.14	-.176	.871	-.329
21	.01	.49	.22	17.7	-.23	.51	-.14	-.181	.947	-.337
22	.01	.49	.22	16.9	-.23	.56	-.14	-.167	1.026	-.342
23	.01	.49	.22	16.0	-.23	.60	-.14	-.135	1.077	-.345
24	.01	.49	.22	15.2	-.23	.65	-.15	-.104	1.193	-.351
25	.01	.49	.22	14.3	-.23	.69	-.15	-.140	1.275	-.359
26	.01	.49	.22	14.3	-.23	.74	-.15	-.166	1.359	-.363
27	.01	.49	.22	13.8	-.23	.78	-.15	-.181	1.446	-.367
28	.01	.49	.22	13.4	-.23	.83	-.15	-.186	1.533	-.371
29	.01	.49	.22	13.1	-.23	.88	-.16	-.260	1.622	-.375
30	.01	.49	.22	13.3	-.23	.91	-.16	-.469	1.714	-.379
31	.01	.49	.22	13.3	-.23	.94	-.16	-.683	1.809	-.383
32	.01	.49	.22	13.3	-.23	.98	-.16	-.900	1.907	-.387
33	.01	.49	.22	13.7	-.23	1.01	-.16	-.122	1.999	-.391
34	.01	.49	.22	14.1	-.23	1.04	-.16	-.348	2.094	-.395
35	.01	.49	.22	14.4	-.23	1.08	-.16	-.578	2.191	-.399
36	.01	.49	.22	14.4	-.23	1.11	-.16	-.761	2.290	-.403
37	.01	.49	.22	11.3	-.23	1.14	-.16	-.668	2.391	-.407
38	.01	.49	.22	11.3	-.23	1.09	-.15	-.993	2.494	-.411
39	.01	.49	.22	17.3	-.23	1.41	-.18	-.544	2.600	-.415

TABLE 7 -
FLOOR FORCE AND MOMENT LOADS - MAIN PLACE HOTEL -- CONF. A -- DALLAS , TEXAS

DATA FOR WIND DIR. 195 REF. PRESS. -26.5 PSF GUST FACTOR= 1.320 REF. AREA- 2000.00 FT REF. LENGTH- 200.00 FT

FLOOR	CFX	CFY	FORCE(X) (KIPS)	FORCE(Y) (KIPS)	CMX	CMY	CMZ	MOM(X)	MOM(Y) (1000-FT-KIPS)	MOM(Z)
1	.23	1.04	-21.5	95.9	-.04	-.01	-.38	-.787	-.177	-.015
2	.18	1.15	-17.1	106.4	-.14	-.02	-.40	-2.616	-.420	-.431
3	.12	.79	-11.5	72.8	-.15	-.02	-.29	-2.787	-.439	-.351
4	.15	.78	-13.6	72.2	-.19	-.04	-.31	-3.558	-.671	-.588
5	.17	.79	-16.0	72.8	-.24	-.05	-.33	-4.392	-.966	-1.066
6	.21	.80	-19.4	74.0	-.29	-.07	-.34	-5.278	-1.380	-1.219
7	.24	.82	-22.3	75.7	-.34	-.10	-.34	-6.229	-1.833	-1.281
8	.25	.82	-22.3	75.5	-.38	-.12	-.35	-7.048	-2.129	-1.408
9	.23	.80	-21.2	73.8	-.42	-.12	-.36	-7.697	-2.208	-1.521
10	.09	.44	-7.7	38.4	-.44	-.03	-.00	-4.426	-.543	-.090
11	.09	.44	-7.7	39.1	-.44	-.03	-.00	-4.934	-.638	-.091
12	.06	.44	-5.5	40.4	-.40	-.05	-.00	-5.456	-.850	-.091
13	.07	.45	-6.1	41.1	-.33	-.05	-.00	-6.547	-.968	-.092
14	.07	.45	-6.4	41.8	-.33	-.06	-.01	-7.114	-1.093	-.092
15	.07	.46	-6.8	42.5	-.42	-.07	-.01	-7.697	-1.225	-.093
16	.08	.47	-7.1	43.0	-.44	-.07	-.01	-8.275	-1.360	-.095
17	.07	.47	-6.5	43.1	-.44	-.07	-.00	-8.751	-1.274	-.083
18	.06	.47	-5.5	43.1	-.33	-.06	-.00	-9.228	-1.169	-.072
19	.05	.47	-4.6	43.1	-.33	-.06	-.00	-9.704	-1.047	-.060
20	.04	.47	-3.8	43.1	-.33	-.05	-.00	-10.181	-.907	-.048
21	.03	.47	-3.1	43.1	-.33	-.04	-.00	-10.659	-.749	-.036
22	.02	.47	-2.2	43.1	-.33	-.03	-.00	-11.136	-.573	-.025
23	.02	.47	-1.4	43.2	-.33	-.02	-.00	-11.624	-.382	-.004
24	.01	.47	-1.1	43.4	-.33	-.01	-.00	-12.156	-.263	-.000
25	.00	.47	-.5	43.6	-.33	-.01	-.01	-12.692	-.133	-.113
26	.00	.47	-.5	43.8	-.33	-.00	-.01	-13.232	-.007	-.172
27	.01	.48	1.1	44.0	-.33	-.01	-.01	-13.777	.158	-.230
28	.01	.48	1.1	44.0	-.33	-.02	-.02	-14.274	.359	-.290
29	.02	.47	1.8	43.7	-.33	-.03	-.02	-14.651	.618	-.317
30	.03	.47	2.6	43.4	-.33	-.05	-.02	-15.021	.892	-.343
31	.04	.47	3.3	43.1	-.33	-.06	-.02	-15.384	1.182	-.370
32	.04	.46	4.0	42.7	-.33	-.08	-.02	-15.740	1.489	-.397
33	.05	.46	4.4	42.4	-.33	-.10	-.02	-16.089	1.811	-.423
34	.06	.45	5.5	42.1	-.33	-.12	-.02	-16.431	2.150	-.450
35	.07	.45	6.6	42.0	-.33	-.13	-.02	-16.758	2.412	-.476
36	.08	.41	7.7	37.5	-.33	-.16	-.01	-17.074	2.699	-.501
37	.08	.40	7.7	36.9	-.33	-.16	-.01	-17.380	2.989	-.523
38	.14	.52	11.7	48.1	-.33	-.28	-.01	-20.989	5.103	-.822

TABLE 7 -
FLOOR FORCE AND MOMENT LOADS - MAIN PLACE HOTEL -- CONF. A -- DALLAS, TEXAS

DATA FOR WIND DIR. 180 REF. PRESS. -26.5 PSF GUST FACTOR= 1.320 REF. AREA- 2000. SQ FT REF. LENGTH- 200. FT

FLOOR	CFX	CFY	FORCE(X) (KIPS)	FORCE(Y) (KIPS)	CMX	CMY	CMZ	MOM(X)	MOM(Y) (1000-FT-KIPS)	MOM(Z)
1	.57	1.56	-33.0	144.5	.06	-.02	.59	-1.185	-.434	-10.830
2	.43	1.76	-39.9	162.2	.22	-.05	.61	-4.002	-.981	-11.338
3	.32	1.19	-28.3	109.9	.22	-.05	.44	-1.191	-.908	-8.144
4	.26	1.15	-22.3	105.8	.22	-.08	.48	-3.234	-1.410	-8.911
5	.17	1.14	-33.7	105.5	.35	-.11	.51	-6.375	-2.033	-9.400
6	.46	1.17	-42.1	108.8	.42	-.16	.51	-7.721	-3.004	-9.506
7	.22	1.11	-49.7	112.0	.50	-.22	.51	-9.267	-4.087	-9.480
8	.54	1.11	-49.7	110.0	.56	-.25	.51	-10.320	-4.665	-9.541
9	.51	1.11	-47.7	108.8	.60	-.27	.51	-11.155	-4.981	-10.041
10	.62	1.11	-53.7	106.1	.63	-.30	.44	-11.155	-4.981	-10.041
11	.67	1.11	-53.7	106.1	.63	-.30	.44	-11.155	-4.981	-10.041
12	.64	1.11	-53.7	106.1	.63	-.30	.44	-11.155	-4.981	-10.041
13	.65	1.11	-53.7	106.1	.63	-.30	.44	-11.155	-4.981	-10.041
14	.66	1.11	-53.7	106.1	.63	-.30	.44	-11.155	-4.981	-10.041
15	.66	1.11	-53.7	106.1	.63	-.30	.44	-11.155	-4.981	-10.041
16	.66	1.11	-53.7	106.1	.63	-.30	.44	-11.155	-4.981	-10.041
17	.69	1.11	-53.7	106.1	.63	-.30	.44	-11.155	-4.981	-10.041
18	.69	1.11	-53.7	106.1	.63	-.30	.44	-11.155	-4.981	-10.041
19	.69	1.11	-53.7	106.1	.63	-.30	.44	-11.155	-4.981	-10.041
20	.69	1.11	-53.7	106.1	.63	-.30	.44	-11.155	-4.981	-10.041
21	.68	1.11	-53.7	106.1	.63	-.30	.44	-11.155	-4.981	-10.041
22	.68	1.11	-53.7	106.1	.63	-.30	.44	-11.155	-4.981	-10.041
23	.68	1.11	-53.7	106.1	.63	-.30	.44	-11.155	-4.981	-10.041
24	.68	1.11	-53.7	106.1	.63	-.30	.44	-11.155	-4.981	-10.041
25	.68	1.11	-53.7	106.1	.63	-.30	.44	-11.155	-4.981	-10.041
26	.68	1.11	-53.7	106.1	.63	-.30	.44	-11.155	-4.981	-10.041
27	.69	1.11	-53.7	106.1	.63	-.30	.44	-11.155	-4.981	-10.041
28	.69	1.11	-53.7	106.1	.63	-.30	.44	-11.155	-4.981	-10.041
29	.69	1.11	-53.7	106.1	.63	-.30	.44	-11.155	-4.981	-10.041
30	.68	1.11	-53.7	106.1	.63	-.30	.44	-11.155	-4.981	-10.041
31	.67	1.11	-53.7	106.1	.63	-.30	.44	-11.155	-4.981	-10.041
32	.66	1.11	-53.7	106.1	.63	-.30	.44	-11.155	-4.981	-10.041
33	.65	1.11	-53.7	106.1	.63	-.30	.44	-11.155	-4.981	-10.041
34	.64	1.11	-53.7	106.1	.63	-.30	.44	-11.155	-4.981	-10.041
35	.63	1.11	-53.7	106.1	.63	-.30	.44	-11.155	-4.981	-10.041
36	.62	1.11	-53.7	106.1	.63	-.30	.44	-11.155	-4.981	-10.041
37	.69	1.11	-53.7	106.1	.63	-.30	.44	-11.155	-4.981	-10.041
38	.66	1.11	-53.7	106.1	.63	-.30	.44	-11.155	-4.981	-10.041
39	.52	1.77	-48.4	106.2	.68	-.14	.21	-3.076	-.611	-3.853

TABLE 7 -
FLOOR FORCE AND MOMENT LOADS - MAIN PLACE HOTEL -- CONF. A -- DALLAS , TEXAS

DATA FOR WIND DIR. 165 REF. PRESS. -26.5 PSF GUST FACTOR= 1.320 REF. AREA- 2000.00 FT REF. LENGTH- 200.00 FT

FLOOR	OFM	CFV	FORCE(X) (KIPS)	FORCE(Y) (KIPS)	CMX	CMY	CMZ	MOM(X) (1000-FT-KIPS)	MOM(Y) (1000-FT-KIPS)	MOM(Z)
1	67	40	-62.1	129.4	-.06	-.03	-.29	-1.061	-.509	-.55
1	53	44	-48.7	132.8	-.18	-.06	-.30	-3.266	-1.197	-.42
1	29	94	-26.5	85.0	-.00	-.05	-.31	-3.256	-1.014	-.00
1	34	87	-31.0	80.1	-.22	-.08	-.33	-3.947	-1.526	-.00
1	37	84	-33.8	77.3	-.25	-.11	-.34	-4.662	-2.036	-.00
1	40	85	-37.0	78.7	-.30	-.14	-.36	-5.611	-2.635	-.00
1	42	83	-38.8	80.3	-.36	-.17	-.37	-6.612	-3.168	-.00
1	37	83	-34.4	76.4	-.44	-.17	-.38	-7.128	-3.212	-.00
1	34	81	-31.1	74.3	-.44	-.18	-.39	-7.553	-3.299	-.00
1	30	79	-27.6	59.1	-.44	-.46	-.40	-6.815	-3.557	-.00
1	28	77	-26.6	60.2	-.44	-.52	-.41	-7.604	-3.937	-.00
1	27	76	-25.7	61.3	-.44	-.58	-.42	-8.417	-4.327	-.00
1	26	75	-24.8	62.4	-.44	-.65	-.43	-9.254	-4.726	-.00
1	25	74	-23.9	63.5	-.44	-.71	-.44	-10.115	-5.134	-.00
1	24	73	-22.9	64.6	-.44	-.78	-.45	-11.000	-5.550	-.00
1	23	72	-21.9	65.7	-.44	-.85	-.46	-11.909	-5.972	-.00
1	22	71	-20.8	66.8	-.44	-.93	-.47	-12.839	-6.402	-.00
1	21	70	-19.7	67.9	-.44	-.99	-.48	-13.788	-6.839	-.00
1	20	69	-18.6	69.0	-.44	-.06	-.49	-14.747	-7.282	-.00
1	19	68	-17.5	70.1	-.44	.13	-.50	-15.716	-7.730	-.00
1	18	67	-16.4	71.1	-.44	.20	-.51	-16.695	-8.182	-.00
1	17	66	-15.3	72.1	-.44	.27	-.52	-17.684	-8.639	-.00
1	16	65	-14.2	73.1	-.44	.34	-.53	-18.683	-9.100	-.00
1	15	64	-13.1	74.1	-.44	.41	-.54	-19.692	-9.565	-.00
1	14	63	-12.0	75.1	-.44	.48	-.55	-20.711	-10.034	-.00
1	13	62	-10.9	76.1	-.44	.56	-.56	-21.740	-10.507	-.00
1	12	61	-9.8	77.1	-.44	.63	-.57	-22.779	-10.984	-.00
1	11	60	-8.7	78.1	-.44	.71	-.58	-23.828	-11.464	-.00
1	10	59	-7.6	79.1	-.44	.78	-.59	-24.887	-11.947	-.00
1	9	58	-6.5	80.1	-.44	.85	-.60	-25.956	-12.432	-.00
1	8	57	-5.4	81.1	-.44	.91	-.61	-27.035	-12.919	-.00
1	7	56	-4.3	82.1	-.44	.95	-.62	-28.124	-13.409	-.00
1	6	55	-3.2	83.1	-.44	.97	-.63	-29.223	-13.901	-.00
1	5	54	-2.1	84.1	-.44	.99	-.64	-30.332	-14.395	-.00
1	4	53	-1.0	85.1	-.44	.99	-.65	-31.451	-14.891	-.00
1	3	52	0.1	86.1	-.44	.98	-.66	-32.580	-15.389	-.00
1	2	51	1.1	87.1	-.44	.93	-.67	-33.719	-15.889	-.00
1	1	50	2.1	88.1	-.44	.85	-.68	-34.868	-16.391	-.00
1	0	49	3.1	89.1	-.44	.78	-.69	-36.027	-16.895	-.00
1	0	48	4.1	90.1	-.44	.71	-.70	-37.196	-17.401	-.00
1	0	47	5.1	91.1	-.44	.65	-.71	-38.375	-17.908	-.00
1	0	46	6.1	92.1	-.44	.58	-.72	-39.564	-18.417	-.00
1	0	45	7.1	93.1	-.44	.52	-.73	-40.763	-18.928	-.00
1	0	44	8.1	94.1	-.44	.46	-.74	-41.972	-19.441	-.00
1	0	43	9.1	95.1	-.44	.41	-.75	-43.191	-19.956	-.00
1	0	42	10.1	96.1	-.44	.34	-.76	-44.420	-20.473	-.00
1	0	41	11.1	97.1	-.44	.27	-.77	-45.659	-20.992	-.00
1	0	40	12.1	98.1	-.44	.20	-.78	-46.908	-21.513	-.00
1	0	39	13.1	99.1	-.44	.13	-.79	-48.167	-22.036	-.00
1	0	38	14.1	100.1	-.44	.06	-.80	-49.436	-22.561	-.00
1	0	37	15.1	101.1	-.44	-.01	-.81	-50.715	-23.088	-.00
1	0	36	16.1	102.1	-.44	-.06	-.82	-52.004	-23.617	-.00
1	0	35	17.1	103.1	-.44	-.11	-.83	-53.303	-24.148	-.00
1	0	34	18.1	104.1	-.44	-.16	-.84	-54.612	-24.681	-.00
1	0	33	19.1	105.1	-.44	-.21	-.85	-55.931	-25.216	-.00
1	0	32	20.1	106.1	-.44	-.26	-.86	-57.260	-25.753	-.00
1	0	31	21.1	107.1	-.44	-.31	-.87	-58.609	-26.292	-.00
1	0	30	22.1	108.1	-.44	-.36	-.88	-60.068	-26.833	-.00
1	0	29	23.1	109.1	-.44	-.41	-.89	-61.537	-27.376	-.00
1	0	28	24.1	110.1	-.44	-.46	-.90	-63.016	-27.921	-.00
1	0	27	25.1	111.1	-.44	-.51	-.91	-64.505	-28.468	-.00
1	0	26	26.1	112.1	-.44	-.56	-.92	-66.004	-29.017	-.00
1	0	25	27.1	113.1	-.44	-.61	-.93	-67.513	-29.568	-.00
1	0	24	28.1	114.1	-.44	-.66	-.94	-69.032	-30.121	-.00
1	0	23	29.1	115.1	-.44	-.71	-.95	-70.561	-30.676	-.00
1	0	22	30.1	116.1	-.44	-.76	-.96	-72.100	-31.233	-.00
1	0	21	31.1	117.1	-.44	-.81	-.97	-73.649	-31.792	-.00
1	0	20	32.1	118.1	-.44	-.86	-.98	-75.208	-32.356	-.00
1	0	19	33.1	119.1	-.44	-.91	-.99	-76.777	-32.922	-.00
1	0	18	34.1	120.1	-.44	-.96	-.99	-78.356	-33.490	-.00
1	0	17	35.1	121.1	-.44	-.99	-.99	-80.000	-34.060	-.00
1	0	16	36.1	122.1	-.44	-.99	-.99	-81.659	-34.632	-.00
1	0	15	37.1	123.1	-.44	-.98	-.99	-83.332	-35.206	-.00
1	0	14	38.1	124.1	-.44	-.93	-.99	-85.019	-35.782	-.00
1	0	13	39.1	125.1	-.44	-.85	-.99	-86.720	-36.360	-.00
1	0	12	40.1	126.1	-.44	-.78	-.99	-88.435	-36.941	-.00
1	0	11	41.1	127.1	-.44	-.71	-.99	-90.164	-37.524	-.00
1	0	10	42.1	128.1	-.44	-.65	-.99	-91.907	-38.109	-.00
1	0	9	43.1	129.1	-.44	-.58	-.99	-93.664	-38.696	-.00
1	0	8	44.1	130.1	-.44	-.52	-.99	-95.435	-39.286	-.00
1	0	7	45.1	131.1	-.44	-.46	-.99	-97.219	-39.878	-.00
1	0	6	46.1	132.1	-.44	-.41	-.99	-99.016	-40.473	-.00
1	0	5	47.1	133.1	-.44	-.34	-.99	-100.827	-41.070	-.00
1	0	4	48.1	134.1	-.44	-.27	-.99	-102.652	-41.669	-.00
1	0	3	49.1	135.1	-.44	-.20	-.99	-104.491	-42.270	-.00
1	0	2	50.1	136.1	-.44	-.13	-.99	-106.344	-42.873	-.00
1	0	1	51.1	137.1	-.44	-.06	-.99	-108.210	-43.478	-.00
1	0	0	52.1	138.1	-.44	.01	-.99	-110.089	-44.085	-.00
1	0	0	53.1	139.1	-.44	.06	-.99	-111.980	-44.694	-.00
1	0	0	54.1	140.1	-.44	.11	-.99	-113.883	-45.305	-.00
1	0	0	55.1	141.1	-.44	.16	-.99	-115.798	-45.918	-.00
1	0	0	56.1	142.1	-.44	.21	-.99	-117.725	-46.533	-.00
1	0	0	57.1	143.1	-.44	.26	-.99	-119.664	-47.150	-.00
1	0	0	58.1	144.1	-.44	.31	-.99	-121.615	-47.769	-.00
1	0	0	59.1	145.1	-.44	.36	-.99	-123.578	-48.390	-.00
1	0	0	60.1	146.1	-.44	.41	-.99	-125.553	-49.013	-.00
1	0	0	61.1	147.1	-.44	.46	-.99	-127.539	-49.638	-.00
1	0	0	62.1	148.1	-.44	.51	-.99	-129.536	-50.265	-.00
1	0	0	63.1	149.1	-.44	.56	-.99	-131.545	-50.894	-.00
1	0	0	64.1	150.1	-.44	.61	-.99	-133.566	-51.525	-.00
1	0	0	65.1	151.1	-.44	.66	-.99	-135.598	-52.158	-.00
1	0	0	66.1	152.1	-.44	.71	-.99	-137.642	-52.793	-.00
1	0	0	67.1	153.1	-.44	.76	-.99	-139.697	-53.430	-.00
1	0	0	68.1	154.1	-.44	.81	-.99	-141.763	-54.069	-.00
1	0	0	69.1	155.1	-.44	.86	-.99	-143.840	-54.710	-.00
1	0	0	70.1	156.1	-.44	.91	-.99	-145.928	-55.353	-.00
1	0	0	71.1	157.1	-.44	.96	-.99	-148.027	-56.000	-.00
1	0	0	72.1	158.1	-.44	.99	-.99	-150.137	-56.649	-.00
1	0	0	73.1	159.1	-.44	.99	-.99	-152.258	-57.300	-.00
1	0	0	74.1	160.1	-.44	.99	-.99	-154.389	-57.953	-.00
1	0	0	75.1	161.1	-.44	.99	-.99	-156.531	-58.608	-.00
1	0	0	76.1	162.1	-.44	.99	-.99	-158.684	-59.265	-.00
1	0	0	77.1	163.1	-.44	.99	-.99	-160.848	-59.924	-.00
1	0	0	78.1	164.1	-.44	.99	-.99	-163.023	-60.585	-.00
1	0	0	79.1	165.1	-.44	.99	-.99	-165.208	-61.248	-.00
1	0	0	80.1	166.1	-.44	.99	-.99	-167.403	-61.913	-.00
1	0	0	81.1	167.1	-.44	.99	-.99	-169.608	-62.580	-.00
1	0	0	82.1	168.1	-.44	.99	-.99	-171.823	-63.249	-.00
1	0	0	83.1	169.1	-.44	.99	-.99	-174.048	-63.920	-.00
1	0	0	84.1	170.1	-.44	.99	-.99	-176.283	-64.593	-.00
1	0	0	85.1	171.1	-.44	.99	-.99	-178.528	-65.268	-.00
1	0	0	86.1	172.1	-.44	.99	-.99	-180.783	-65.945	-.00
1	0	0	87.1	173.1	-.44	.99	-.99	-183.048	-66.624	-.00
1	0	0	88.1	174.1	-.44	.99	-.99	-185.323	-67.305	-.00
1	0	0	89.1	175.1	-.44	.99	-.99	-187.608	-67.988	-.00
1	0	0	90.1	176.1	-.44	.99	-.99	-189.903</		

TABLE 7 -
 FLOOR FORCE AND MOMENT LOADS - MAIN PLACE HOTEL -- CONF. A -- DALLAS , TEXAS
 DATA FOR WIND DIR. 150 REF. PRESS. -26.5 PSF GUST FACTOR= 1.320 REF. AREA- 2000. SQ FT REF. LENGTH- 200. FT

FLOOR	CFX	CFY	FORCE(X) (KIPS)	FORCE(Y) (KIPS)	CMX	CMY	CMZ	MOM(X)	MOM(Y) (1000-FT-KIPS)	MOM(Z)
1			53.3	84.1	04	03	07	690	478	327
2			48.2	79.2	10	07	10	684	465	320
3			46.9	78.9	13	08	07	678	458	314
4			45.9	78.9	15	10	06	672	452	308
5			44.8	78.8	17	10	07	666	446	302
6			43.5	78.5	18	09	08	660	440	296
7			43.3	78.3	22	11	09	654	434	290
8			43.1	78.1	26	12	10	648	428	284
9			42.8	77.8	30	13	11	642	422	278
10			42.5	77.5	34	14	12	636	416	272
11			42.2	77.2	38	15	13	630	410	266
12			41.9	76.9	42	16	14	624	404	260
13			41.6	76.6	46	17	15	618	398	254
14			41.3	76.3	50	18	16	612	392	248
15			41.0	76.0	54	19	17	606	386	242
16			40.7	75.7	58	20	18	600	380	236
17			40.4	75.4	62	21	19	594	374	230
18			40.1	75.1	66	22	20	588	368	224
19			39.8	74.8	70	23	21	582	362	218
20			39.5	74.5	74	24	22	576	356	212
21			39.2	74.2	78	25	23	570	350	206
22			38.9	73.9	82	26	24	564	344	200
23			38.6	73.6	86	27	25	558	338	194
24			38.3	73.3	90	28	26	552	332	188
25			38.0	73.0	94	29	27	546	326	182
26			37.7	72.7	98	30	28	540	320	176
27			37.4	72.4	102	31	29	534	314	170
28			37.1	72.1	106	32	30	528	308	164
29			36.8	71.8	110	33	31	522	302	158
30			36.5	71.5	114	34	32	516	296	152
31			36.2	71.2	118	35	33	510	290	146
32			35.9	70.9	122	36	34	504	284	140
33			35.6	70.6	126	37	35	498	278	134
34			35.3	70.3	130	38	36	492	272	128
35			35.0	70.0	134	39	37	486	266	122
36			34.7	69.7	138	40	38	480	260	116
37			34.4	69.4	142	41	39	474	254	110
38			34.1	69.1	146	42	40	468	248	104
39			33.8	68.8	150	43	41	462	242	98
40			33.5	68.5	154	44	42	456	236	92

TABLE 7 -
FLOOR FORCE AND MOMENT LOADS - MAIN PLACE HOTEL -- CONF. A -- DALLAS, TEXAS

DATA FOR WIND DIR. 135 REF. PRESS. -26.5 PSF GUST FACTOR= 1.320 REF. AREA- 2000.00 FT REF. LENGTH- 200.00 FT

FLOOR	CFX	CFY	FORCE(X) (KIPS)	FORCE(Y) (KIPS)	CMX	CMY	CMZ	MOM(X)	MOM(Y) (1000-FT-KIPS)	MOM(Z)
1	1	1	1	1	1	1	1	1	1	1
2	1	1	1	1	1	1	1	1	1	1
3	1	1	1	1	1	1	1	1	1	1
4	1	1	1	1	1	1	1	1	1	1
5	1	1	1	1	1	1	1	1	1	1
6	1	1	1	1	1	1	1	1	1	1
7	1	1	1	1	1	1	1	1	1	1
8	1	1	1	1	1	1	1	1	1	1
9	1	1	1	1	1	1	1	1	1	1
10	1	1	1	1	1	1	1	1	1	1
11	1	1	1	1	1	1	1	1	1	1
12	1	1	1	1	1	1	1	1	1	1
13	1	1	1	1	1	1	1	1	1	1
14	1	1	1	1	1	1	1	1	1	1
15	1	1	1	1	1	1	1	1	1	1
16	1	1	1	1	1	1	1	1	1	1
17	1	1	1	1	1	1	1	1	1	1
18	1	1	1	1	1	1	1	1	1	1
19	1	1	1	1	1	1	1	1	1	1
20	1	1	1	1	1	1	1	1	1	1
21	1	1	1	1	1	1	1	1	1	1
22	1	1	1	1	1	1	1	1	1	1
23	1	1	1	1	1	1	1	1	1	1
24	1	1	1	1	1	1	1	1	1	1
25	1	1	1	1	1	1	1	1	1	1
26	1	1	1	1	1	1	1	1	1	1
27	1	1	1	1	1	1	1	1	1	1
28	1	1	1	1	1	1	1	1	1	1
29	1	1	1	1	1	1	1	1	1	1
30	1	1	1	1	1	1	1	1	1	1
31	1	1	1	1	1	1	1	1	1	1
32	1	1	1	1	1	1	1	1	1	1
33	1	1	1	1	1	1	1	1	1	1
34	1	1	1	1	1	1	1	1	1	1
35	1	1	1	1	1	1	1	1	1	1
36	1	1	1	1	1	1	1	1	1	1
37	1	1	1	1	1	1	1	1	1	1
38	1	1	1	1	1	1	1	1	1	1
39	1	1	1	1	1	1	1	1	1	1
40	1	1	1	1	1	1	1	1	1	1
41	1	1	1	1	1	1	1	1	1	1
42	1	1	1	1	1	1	1	1	1	1
43	1	1	1	1	1	1	1	1	1	1
44	1	1	1	1	1	1	1	1	1	1
45	1	1	1	1	1	1	1	1	1	1
46	1	1	1	1	1	1	1	1	1	1
47	1	1	1	1	1	1	1	1	1	1
48	1	1	1	1	1	1	1	1	1	1
49	1	1	1	1	1	1	1	1	1	1
50	1	1	1	1	1	1	1	1	1	1
51	1	1	1	1	1	1	1	1	1	1
52	1	1	1	1	1	1	1	1	1	1
53	1	1	1	1	1	1	1	1	1	1
54	1	1	1	1	1	1	1	1	1	1
55	1	1	1	1	1	1	1	1	1	1
56	1	1	1	1	1	1	1	1	1	1
57	1	1	1	1	1	1	1	1	1	1
58	1	1	1	1	1	1	1	1	1	1
59	1	1	1	1	1	1	1	1	1	1
60	1	1	1	1	1	1	1	1	1	1
61	1	1	1	1	1	1	1	1	1	1
62	1	1	1	1	1	1	1	1	1	1
63	1	1	1	1	1	1	1	1	1	1
64	1	1	1	1	1	1	1	1	1	1
65	1	1	1	1	1	1	1	1	1	1
66	1	1	1	1	1	1	1	1	1	1
67	1	1	1	1	1	1	1	1	1	1
68	1	1	1	1	1	1	1	1	1	1
69	1	1	1	1	1	1	1	1	1	1
70	1	1	1	1	1	1	1	1	1	1
71	1	1	1	1	1	1	1	1	1	1
72	1	1	1	1	1	1	1	1	1	1
73	1	1	1	1	1	1	1	1	1	1
74	1	1	1	1	1	1	1	1	1	1
75	1	1	1	1	1	1	1	1	1	1
76	1	1	1	1	1	1	1	1	1	1
77	1	1	1	1	1	1	1	1	1	1
78	1	1	1	1	1	1	1	1	1	1
79	1	1	1	1	1	1	1	1	1	1
80	1	1	1	1	1	1	1	1	1	1
81	1	1	1	1	1	1	1	1	1	1
82	1	1	1	1	1	1	1	1	1	1
83	1	1	1	1	1	1	1	1	1	1
84	1	1	1	1	1	1	1	1	1	1
85	1	1	1	1	1	1	1	1	1	1
86	1	1	1	1	1	1	1	1	1	1
87	1	1	1	1	1	1	1	1	1	1
88	1	1	1	1	1	1	1	1	1	1
89	1	1	1	1	1	1	1	1	1	1
90	1	1	1	1	1	1	1	1	1	1
91	1	1	1	1	1	1	1	1	1	1
92	1	1	1	1	1	1	1	1	1	1
93	1	1	1	1	1	1	1	1	1	1
94	1	1	1	1	1	1	1	1	1	1
95	1	1	1	1	1	1	1	1	1	1
96	1	1	1	1	1	1	1	1	1	1
97	1	1	1	1	1	1	1	1	1	1
98	1	1	1	1	1	1	1	1	1	1
99	1	1	1	1	1	1	1	1	1	1
100	1	1	1	1	1	1	1	1	1	1

TABLE 7 -
FLOOR FORCE AND MOMENT LOADS - MAIN PLACE HOTEL -- CONF. A -- DALLAS , TEXAS

DATA FOR WIND DIR. 105 REF. PRESS. -26.5 PSF GUST FACTOR= 1.320 REF. AREA- 2000.50 FT REF. LENGTH- 200. FT

FLOOR	CFX	CFY	FORCE(X) (KIPS)	FORCE(Y) (KIPS)	CHX	CHY	CHZ	MOM(X)	MOM(Y) (1000-FT-KIPS)	MOM(Z)
1	1	1	36	51.4	0	0	0.1	422	297	2
2	1	1	35	50.4	0	0	0.2	240	87	5
3	1	1	33	47.2	0	0	0.3	226	90	5
4	1	1	33	47.2	0	0	0.4	180	160	5
5	1	1	33	47.2	0	0	0.5	140	220	5
6	1	1	33	47.2	0	0	0.6	100	280	5
7	1	1	33	47.2	0	0	0.7	60	340	5
8	1	1	33	47.2	0	0	0.8	20	400	5
9	1	1	33	47.2	0	0	0.9	0	460	5
10	1	1	33	47.2	0	0	1.0	0	520	5
11	1	1	33	47.2	0	0	1.1	0	580	5
12	1	1	33	47.2	0	0	1.2	0	640	5
13	1	1	33	47.2	0	0	1.3	0	700	5
14	1	1	33	47.2	0	0	1.4	0	760	5
15	1	1	33	47.2	0	0	1.5	0	820	5
16	1	1	33	47.2	0	0	1.6	0	880	5
17	1	1	33	47.2	0	0	1.7	0	940	5
18	1	1	33	47.2	0	0	1.8	0	1000	5
19	1	1	33	47.2	0	0	1.9	0	1060	5
20	1	1	33	47.2	0	0	2.0	0	1120	5
21	1	1	33	47.2	0	0	2.1	0	1180	5
22	1	1	33	47.2	0	0	2.2	0	1240	5
23	1	1	33	47.2	0	0	2.3	0	1300	5
24	1	1	33	47.2	0	0	2.4	0	1360	5
25	1	1	33	47.2	0	0	2.5	0	1420	5
26	1	1	33	47.2	0	0	2.6	0	1480	5
27	1	1	33	47.2	0	0	2.7	0	1540	5
28	1	1	33	47.2	0	0	2.8	0	1600	5
29	1	1	33	47.2	0	0	2.9	0	1660	5
30	1	1	33	47.2	0	0	3.0	0	1720	5
31	1	1	33	47.2	0	0	3.1	0	1780	5
32	1	1	33	47.2	0	0	3.2	0	1840	5
33	1	1	33	47.2	0	0	3.3	0	1900	5
34	1	1	33	47.2	0	0	3.4	0	1960	5
35	1	1	33	47.2	0	0	3.5	0	2020	5
36	1	1	33	47.2	0	0	3.6	0	2080	5
37	1	1	33	47.2	0	0	3.7	0	2140	5
38	1	1	33	47.2	0	0	3.8	0	2200	5
39	1	1	33	47.2	0	0	3.9	0	2260	5
40	1	1	33	47.2	0	0	4.0	0	2320	5
41	1	1	33	47.2	0	0	4.1	0	2380	5
42	1	1	33	47.2	0	0	4.2	0	2440	5
43	1	1	33	47.2	0	0	4.3	0	2500	5
44	1	1	33	47.2	0	0	4.4	0	2560	5
45	1	1	33	47.2	0	0	4.5	0	2620	5
46	1	1	33	47.2	0	0	4.6	0	2680	5
47	1	1	33	47.2	0	0	4.7	0	2740	5
48	1	1	33	47.2	0	0	4.8	0	2800	5
49	1	1	33	47.2	0	0	4.9	0	2860	5
50	1	1	33	47.2	0	0	5.0	0	2920	5
51	1	1	33	47.2	0	0	5.1	0	2980	5
52	1	1	33	47.2	0	0	5.2	0	3040	5
53	1	1	33	47.2	0	0	5.3	0	3100	5
54	1	1	33	47.2	0	0	5.4	0	3160	5
55	1	1	33	47.2	0	0	5.5	0	3220	5
56	1	1	33	47.2	0	0	5.6	0	3280	5
57	1	1	33	47.2	0	0	5.7	0	3340	5
58	1	1	33	47.2	0	0	5.8	0	3400	5
59	1	1	33	47.2	0	0	5.9	0	3460	5
60	1	1	33	47.2	0	0	6.0	0	3520	5

TABLE 7 -
FLOOR FORCE AND MOMENT LOADS - MAIN PLACE HOTEL -- CONF. A -- DALLAS , TEXAS

DATA FOR WIND DIR. 90 REF. PRESS. -26.5 PSF GUST FACTOR= 1.320 REF. AREA- 2000.50 FT REF. LENGTH- 200. FT

FLOOR	CFX	CFY	FORCE(X) (KIPS)	FORCE(Y) (KIPS)	CMX	CMY	CMZ	MOM(X)	MOM(Y) (1000-FT-KIPS)	MOM(Z)
1		.27	-.27	2.7		.01				-.264
2		.26	-.26	2.6		.01				-.164
3		.17	-.17	1.7		.03				-.010
4		.16	-.16	1.6		.04				-.044
5		.16	-.16	1.6		.05				-.112
6		.16	-.16	1.6		.06				-.089
7		.17	-.17	1.7		.07				-.051
8		.17	-.17	1.7		.08				-.003
9		.17	-.17	1.7		.09				-.009
10		.17	-.17	1.7		.10				-.095
11		.22	-.22	2.2		.13				-.131
12		.22	-.22	2.2		.15				-.167
13		.22	-.22	2.2		.16				-.203
14		.22	-.22	2.2		.18				-.239
15		.24	-.24	2.4		.19				-.274
16		.24	-.24	2.4		.21				-.310
17		.24	-.24	2.4		.22				-.343
18		.24	-.24	2.4		.23				-.374
19		.24	-.24	2.4		.24				-.403
20		.24	-.24	2.4		.25				-.433
21		.24	-.24	2.4		.26				-.463
22		.24	-.24	2.4		.27				-.493
23		.29	-.29	2.9		.30				-.523
24		.30	-.30	3.0		.33				-.553
25		.30	-.30	3.0		.34				-.583
26		.33	-.33	3.3		.35				-.613
27		.33	-.33	3.3		.36				-.643
28		.33	-.33	3.3		.37				-.673
29		.33	-.33	3.3		.38				-.703
30		.33	-.33	3.3		.39				-.733
31		.33	-.33	3.3		.40				-.763
32		.33	-.33	3.3		.41				-.793
33		.33	-.33	3.3		.42				-.823
34		.33	-.33	3.3		.43				-.853
35		.33	-.33	3.3		.44				-.883
36		.33	-.33	3.3		.45				-.913
37		.33	-.33	3.3		.46				-.943
38		.33	-.33	3.3		.47				-.973
39		.33	-.33	3.3		.48				-.100

TABLE 7 -
FLOOR FORCE AND MOMENT LOADS - MAIN PLACE HOTEL -- CONF. A -- DALLAS , TEXAS

DATA FOR WIND DIR. 60 REF. PRESS. -26.5 PSF GUST FACTOR= 1.320 REF. AREA- 2000 SQ FT REF. LENGTH- 200 FT

FLOOR	CFX	CFY	FORCE(X) (KIPS)	FORCE(Y) (KIPS)	CMX	CMY	CMZ	MOM(X)	MOM(Y) (1000-FT-KIPS)	MOM(Z)
1	1	1	1	1	1	1	1	1	1	1
2	1	1	1	1	1	1	1	1	1	1
3	1	1	1	1	1	1	1	1	1	1
4	1	1	1	1	1	1	1	1	1	1
5	1	1	1	1	1	1	1	1	1	1
6	1	1	1	1	1	1	1	1	1	1
7	1	1	1	1	1	1	1	1	1	1
8	1	1	1	1	1	1	1	1	1	1
9	1	1	1	1	1	1	1	1	1	1
10	1	1	1	1	1	1	1	1	1	1
11	1	1	1	1	1	1	1	1	1	1
12	1	1	1	1	1	1	1	1	1	1
13	1	1	1	1	1	1	1	1	1	1
14	1	1	1	1	1	1	1	1	1	1
15	1	1	1	1	1	1	1	1	1	1
16	1	1	1	1	1	1	1	1	1	1
17	1	1	1	1	1	1	1	1	1	1
18	1	1	1	1	1	1	1	1	1	1
19	1	1	1	1	1	1	1	1	1	1
20	1	1	1	1	1	1	1	1	1	1
21	1	1	1	1	1	1	1	1	1	1
22	1	1	1	1	1	1	1	1	1	1
23	1	1	1	1	1	1	1	1	1	1
24	1	1	1	1	1	1	1	1	1	1
25	1	1	1	1	1	1	1	1	1	1
26	1	1	1	1	1	1	1	1	1	1
27	1	1	1	1	1	1	1	1	1	1
28	1	1	1	1	1	1	1	1	1	1
29	1	1	1	1	1	1	1	1	1	1
30	1	1	1	1	1	1	1	1	1	1
31	1	1	1	1	1	1	1	1	1	1
32	1	1	1	1	1	1	1	1	1	1
33	1	1	1	1	1	1	1	1	1	1
34	1	1	1	1	1	1	1	1	1	1
35	1	1	1	1	1	1	1	1	1	1
36	1	1	1	1	1	1	1	1	1	1
37	1	1	1	1	1	1	1	1	1	1
38	1	1	1	1	1	1	1	1	1	1
39	1	1	1	1	1	1	1	1	1	1
40	1	1	1	1	1	1	1	1	1	1
41	1	1	1	1	1	1	1	1	1	1
42	1	1	1	1	1	1	1	1	1	1
43	1	1	1	1	1	1	1	1	1	1
44	1	1	1	1	1	1	1	1	1	1
45	1	1	1	1	1	1	1	1	1	1
46	1	1	1	1	1	1	1	1	1	1
47	1	1	1	1	1	1	1	1	1	1
48	1	1	1	1	1	1	1	1	1	1
49	1	1	1	1	1	1	1	1	1	1
50	1	1	1	1	1	1	1	1	1	1
51	1	1	1	1	1	1	1	1	1	1
52	1	1	1	1	1	1	1	1	1	1
53	1	1	1	1	1	1	1	1	1	1
54	1	1	1	1	1	1	1	1	1	1
55	1	1	1	1	1	1	1	1	1	1
56	1	1	1	1	1	1	1	1	1	1
57	1	1	1	1	1	1	1	1	1	1
58	1	1	1	1	1	1	1	1	1	1
59	1	1	1	1	1	1	1	1	1	1
60	1	1	1	1	1	1	1	1	1	1
61	1	1	1	1	1	1	1	1	1	1
62	1	1	1	1	1	1	1	1	1	1
63	1	1	1	1	1	1	1	1	1	1
64	1	1	1	1	1	1	1	1	1	1
65	1	1	1	1	1	1	1	1	1	1
66	1	1	1	1	1	1	1	1	1	1
67	1	1	1	1	1	1	1	1	1	1
68	1	1	1	1	1	1	1	1	1	1
69	1	1	1	1	1	1	1	1	1	1
70	1	1	1	1	1	1	1	1	1	1
71	1	1	1	1	1	1	1	1	1	1
72	1	1	1	1	1	1	1	1	1	1
73	1	1	1	1	1	1	1	1	1	1
74	1	1	1	1	1	1	1	1	1	1
75	1	1	1	1	1	1	1	1	1	1
76	1	1	1	1	1	1	1	1	1	1
77	1	1	1	1	1	1	1	1	1	1
78	1	1	1	1	1	1	1	1	1	1
79	1	1	1	1	1	1	1	1	1	1
80	1	1	1	1	1	1	1	1	1	1
81	1	1	1	1	1	1	1	1	1	1
82	1	1	1	1	1	1	1	1	1	1
83	1	1	1	1	1	1	1	1	1	1
84	1	1	1	1	1	1	1	1	1	1
85	1	1	1	1	1	1	1	1	1	1
86	1	1	1	1	1	1	1	1	1	1
87	1	1	1	1	1	1	1	1	1	1
88	1	1	1	1	1	1	1	1	1	1
89	1	1	1	1	1	1	1	1	1	1
90	1	1	1	1	1	1	1	1	1	1
91	1	1	1	1	1	1	1	1	1	1
92	1	1	1	1	1	1	1	1	1	1
93	1	1	1	1	1	1	1	1	1	1
94	1	1	1	1	1	1	1	1	1	1
95	1	1	1	1	1	1	1	1	1	1
96	1	1	1	1	1	1	1	1	1	1
97	1	1	1	1	1	1	1	1	1	1
98	1	1	1	1	1	1	1	1	1	1
99	1	1	1	1	1	1	1	1	1	1
100	1	1	1	1	1	1	1	1	1	1

TABLE 7 -
FLOOR FORCE AND MOMENT LOADS - MAIN PLACE HOTEL -- CONF. A -- DALLAS , TEXAS

DATA FOR WIND DIR. 45 REF. PRESS. -26.5 PSF GUST FACTOR= 1.320 REF. AREA- 2000 SQ FT REF. LENGTH- 200 FT

FLOOR	CFX	CFY	FORCE(X) (KIPS)	FORCE(Y) (KIPS)	CMX	CMY	CMZ	MOM(X)	MOM(Y) (1000-FT-KIPS)	MOM(Z)
1	.12	.47	11.23	-43.2	.02	.00	.08	354	.092	-1.497
	.14		12.1	-44	.06	.02	.07	.084	.314	-1.333
	.09		9.9	-29	.06	.02	.05	.147	.333	.880
	.09		9.9	-29	.08	.02	.05	.476	.355	.963
	.05		5.5	-22	.10	.02	.06	.785	.351	-1.016
	.04		4.4	-22	.10	.02	.06	.902	.318	-1.086
	.03		3.3	-23	.11	.01	.06	.956	.274	-1.150
	.04		4.4	-21	.11	.01	.07	.012	.263	-1.261
	.02		2.2	-20	.12	.02	.08	.150	.366	-1.514
	.02		2.2	-19	.12	.01	.11	.194	.266	-1.058
	.02		2.2	-19	.13	.01	.11	.411	.226	-1.070
	.02		2.2	-19	.14	.01	.11	.649	.224	-1.082
	.02		2.2	-19	.15	.01	.11	.888	.233	-1.095
	.02		2.2	-19	.17	.01	.11	.100	.232	-1.107
	.02		2.2	-19	.18	.01	.11	.133	.193	-1.120
	.02		2.2	-19	.19	.01	.11	.167	.190	-1.132
	.02		2.2	-19	.20	.01	.11	.200	.177	-1.133
	.02		2.2	-19	.20	.01	.11	.233	.167	-1.133
	.02		2.2	-19	.20	.01	.11	.266	.167	-1.133
	.02		2.2	-19	.20	.01	.11	.300	.159	-1.133
	.02		2.2	-19	.20	.01	.11	.333	.150	-1.133
	.02		2.2	-19	.20	.01	.11	.366	.141	-1.133
	.02		2.2	-19	.20	.01	.11	.400	.133	-1.133
	.02		2.2	-19	.20	.01	.11	.433	.125	-1.133
	.02		2.2	-19	.20	.01	.11	.466	.117	-1.133
	.02		2.2	-19	.20	.01	.11	.500	.110	-1.133
	.02		2.2	-19	.20	.01	.11	.533	.103	-1.133
	.02		2.2	-19	.20	.01	.11	.566	.096	-1.133
	.02		2.2	-19	.20	.01	.11	.600	.090	-1.133
	.02		2.2	-19	.20	.01	.11	.633	.084	-1.133
	.02		2.2	-19	.20	.01	.11	.666	.078	-1.133
	.02		2.2	-19	.20	.01	.11	.700	.073	-1.133
	.02		2.2	-19	.20	.01	.11	.733	.068	-1.133
	.02		2.2	-19	.20	.01	.11	.766	.063	-1.133
	.02		2.2	-19	.20	.01	.11	.800	.059	-1.133
	.02		2.2	-19	.20	.01	.11	.833	.055	-1.133
	.02		2.2	-19	.20	.01	.11	.866	.051	-1.133
	.02		2.2	-19	.20	.01	.11	.900	.047	-1.133
	.02		2.2	-19	.20	.01	.11	.933	.044	-1.133
	.02		2.2	-19	.20	.01	.11	.966	.041	-1.133
	.02		2.2	-19	.20	.01	.11	.100	.038	-1.133
	.02		2.2	-19	.20	.01	.11	.133	.035	-1.133
	.02		2.2	-19	.20	.01	.11	.167	.032	-1.133
	.02		2.2	-19	.20	.01	.11	.200	.029	-1.133
	.02		2.2	-19	.20	.01	.11	.233	.026	-1.133
	.02		2.2	-19	.20	.01	.11	.266	.023	-1.133
	.02		2.2	-19	.20	.01	.11	.300	.020	-1.133
	.02		2.2	-19	.20	.01	.11	.333	.017	-1.133
	.02		2.2	-19	.20	.01	.11	.366	.014	-1.133
	.02		2.2	-19	.20	.01	.11	.400	.011	-1.133
	.02		2.2	-19	.20	.01	.11	.433	.008	-1.133
	.02		2.2	-19	.20	.01	.11	.466	.005	-1.133
	.02		2.2	-19	.20	.01	.11	.500	.002	-1.133
	.02		2.2	-19	.20	.01	.11	.533	.000	-1.133
	.02		2.2	-19	.20	.01	.11	.566	.000	-1.133
	.02		2.2	-19	.20	.01	.11	.600	.000	-1.133
	.02		2.2	-19	.20	.01	.11	.633	.000	-1.133
	.02		2.2	-19	.20	.01	.11	.666	.000	-1.133
	.02		2.2	-19	.20	.01	.11	.700	.000	-1.133
	.02		2.2	-19	.20	.01	.11	.733	.000	-1.133
	.02		2.2	-19	.20	.01	.11	.766	.000	-1.133
	.02		2.2	-19	.20	.01	.11	.800	.000	-1.133
	.02		2.2	-19	.20	.01	.11	.833	.000	-1.133
	.02		2.2	-19	.20	.01	.11	.866	.000	-1.133
	.02		2.2	-19	.20	.01	.11	.900	.000	-1.133
	.02		2.2	-19	.20	.01	.11	.933	.000	-1.133
	.02		2.2	-19	.20	.01	.11	.966	.000	-1.133
	.02		2.2	-19	.20	.01	.11	.100	.000	-1.133
	.02		2.2	-19	.20	.01	.11	.133	.000	-1.133
	.02		2.2	-19	.20	.01	.11	.167	.000	-1.133
	.02		2.2	-19	.20	.01	.11	.200	.000	-1.133
	.02		2.2	-19	.20	.01	.11	.233	.000	-1.133
	.02		2.2	-19	.20	.01	.11	.266	.000	-1.133
	.02		2.2	-19	.20	.01	.11	.300	.000	-1.133
	.02		2.2	-19	.20	.01	.11	.333	.000	-1.133
	.02		2.2	-19	.20	.01	.11	.366	.000	-1.133
	.02		2.2	-19	.20	.01	.11	.400	.000	-1.133
	.02		2.2	-19	.20	.01	.11	.433	.000	-1.133
	.02		2.2	-19	.20	.01	.11	.466	.000	-1.133
	.02		2.2	-19	.20	.01	.11	.500	.000	-1.133
	.02		2.2	-19	.20	.01	.11	.533	.000	-1.133
	.02		2.2	-19	.20	.01	.11	.566	.000	-1.133
	.02		2.2	-19	.20	.01	.11	.600	.000	-1.133
	.02		2.2	-19	.20	.01	.11	.633	.000	-1.133
	.02		2.2	-19	.20	.01	.11	.666	.000	-1.133
	.02		2.2	-19	.20	.01	.11	.700	.000	-1.133
	.02		2.2	-19	.20	.01	.11	.733	.000	-1.133
	.02		2.2	-19	.20	.01	.11	.766	.000	-1.133
	.02		2.2	-19	.20	.01	.11	.800	.000	-1.133
	.02		2.2	-19	.20	.01	.11	.833	.000	-1.133
	.02		2.2	-19	.20	.01	.11	.866	.000	-1.133
	.02		2.2	-19	.20	.01	.11	.900	.000	-1.133
	.02		2.2	-19	.20	.01	.11	.933	.000	-1.133
	.02		2.2	-19	.20	.01	.11	.966	.000	-1.133
	.02		2.2	-19	.20	.01	.11	.100	.000	-1.133
	.02		2.2	-19	.20	.01	.11	.133	.000	-1.133
	.02		2.2	-19	.20	.01	.11	.167	.000	-1.133
	.02		2.2	-19	.20	.01	.11	.200	.000	-1.133
	.02		2.2	-19	.20	.01	.11	.233	.000	-1.133
	.02		2.2	-19	.20	.01	.11	.266	.000	-1.133
	.02		2.2	-19	.20	.01	.11	.300	.000	-1.133
	.02		2.2	-19	.20	.01	.11	.333	.000	-1.133
	.02		2.2	-19	.20	.01	.11	.366	.000	-1.133
	.02		2.2	-19	.20	.01	.11	.400	.000	-1.133
	.02		2.2	-19	.20	.01	.11	.433	.000	-1.133
	.02		2.2	-19	.20	.01	.11	.466	.000	-1.133
	.02		2.2	-19	.20	.01	.11	.500	.000	-1.133
	.02		2.2	-19	.20	.01	.11	.533	.000	-1.133
	.02		2.2	-19	.20	.01	.11	.566	.000	-1.133
	.02		2.2	-19	.20	.01	.11	.600	.000	-1.133
	.02		2.2	-19	.20	.01	.11	.633	.000	-1.133
	.02		2.2	-19	.20	.01	.11	.666	.000	-1.133
	.02		2.2	-19	.20	.01	.11	.700	.000	-1.133
	.02		2.2	-19	.20	.01	.11	.733	.000	-1.133
	.02		2.2	-19	.20	.01	.11	.766	.000	-1.133
	.02		2.2	-19	.20	.01	.11	.800	.000	-1.133
	.02		2.2	-19	.20	.01	.11	.833	.000	-1.133
	.02		2.2	-19	.20	.01	.11	.866	.000	-1.133
	.02		2.2	-19	.20	.01	.11	.900	.000	-1.133
	.02		2.2	-19	.20	.01	.11	.933	.000	-1.133
	.02		2.2	-19	.20	.01	.11	.966	.000	-1.133
	.02		2.2	-19	.20	.01	.11	.100	.000	-1.133
	.02		2.2	-19	.20	.01	.11	.133	.000	-1.133
	.02		2.2	-19	.20	.01	.11	.167	.000	-1.133
	.02		2.2	-19	.20	.01	.11	.200	.000	-1.133
	.02		2.2	-19	.20	.01	.11	.233	.000	-1.133
	.02		2.2	-19	.20	.01	.11	.266	.000	-1.133

TABLE 7 -
FLOOR FORCE AND MOMENT LOADS - MAIN PLACE HOTEL -- CONF. A -- DALLAS , TEXAS

DATA FOR WIND DIR. 15 REF. PRESS. -26.5 PSF GUST FACTOR= 1.320 REF. AREA- 2000 SQ FT REF. LENGTH- 200 FT

FLOOR	CFX	CFY	FORCE(X) (KIPS)	FORCE(Y) (KIPS)	CMX	CMY	CMZ	MOM(X)	MOM(Y) (1000-FT-KIPS)	MOM(Z)
1	.29	.98	26.8	-90.5	.04	.01	.05	7.42	.220	1.003
2	.22	.70	22.9	-94.9	.13	.04	.04	2.22	.730	.750
3	.22	.72	22.2	-66.7	.14	.05	.02	2.55	.851	.331
4	.24	.77	24.2	-69.9	.19	.07	.01	3.44	1.216	.117
5	.28	.80	26.1	-73.5	.24	.09	.01	4.43	1.574	.136
6	.27	.81	25.0	-75.0	.29	.10	.02	5.34	1.806	.401
7	.25	.82	23.3	-75.7	.34	.10	.03	6.23	1.930	.630
8	.23	.81	21.1	-75.0	.38	.11	.05	7.00	1.959	.901
9	.22	.82	20.0	-75.5	.43	.11	.06	7.70	2.114	.966
10	.14	.66	13.3	-60.8	.38	.08	.16	7.01	1.536	.975
11	.12	.66	11.2	-61.0	.42	.08	.17	7.70	1.416	1.110
12	.10	.66	9.9	-61.2	.46	.07	.18	8.40	1.249	1.450
13	.08	.67	7.4	-61.4	.49	.06	.18	9.11	1.036	1.800
14	.05	.67	2.4	-61.6	.53	.04	.19	9.82	.777	2.350
15	.03	.67	2.4	-61.8	.55	.03	.20	10.53	.471	3.000
16	.01	.67	1.1	-62.1	.57	.01	.20	11.25	.118	3.750
17	.01	.70	1.1	-62.2	.55	.01	.21	12.04	.233	4.500
18	.01	.73	1.1	-64.8	.55	.01	.21	13.17	.256	5.250
19	.01	.73	1.1	-67.0	.58	.02	.22	14.32	.280	6.000
20	.01	.73	1.1	-69.1	.61	.02	.22	15.55	.331	6.750
21	.02	.73	1.1	-71.1	.64	.02	.22	16.85	.331	7.500
22	.02	.73	1.1	-73.3	.68	.02	.22	18.17	.358	8.250
23	.02	.73	1.1	-75.5	.73	.02	.22	19.53	.386	9.000
24	.01	.77	1.1	-77.7	.77	.02	.23	20.91	.397	9.750
25	.00	.80	1.1	-79.2	.80	.01	.23	22.31	.234	10.500
26	.00	.80	1.1	-80.7	.82	.00	.24	23.73	.057	11.250
27	.01	.82	1.1	-82.2	.84	.01	.24	25.15	.134	12.000
28	.02	.83	1.1	-83.5	.85	.02	.24	26.57	.339	12.750
29	.02	.83	1.1	-84.8	.85	.03	.24	27.99	.551	13.500
30	.02	.83	1.1	-85.5	.85	.03	.24	29.41	.633	14.250
31	.02	.83	1.1	-85.5	.85	.04	.24	30.83	.719	15.000
32	.03	.83	1.1	-85.5	.85	.04	.24	32.25	.809	15.750
33	.03	.83	1.1	-85.5	.85	.05	.24	33.67	.902	16.500
34	.03	.83	1.1	-85.5	.85	.05	.24	35.09	1.000	17.250
35	.04	.83	1.1	-85.5	.85	.06	.24	36.51	1.102	18.000
36	.04	.83	1.1	-85.5	.85	.07	.24	37.93	1.206	18.750
37	.05	.83	1.1	-85.5	.85	.11	.24	39.35	1.384	19.500
38	.05	.83	1.1	-85.5	.85	.17	.24	40.77	1.605	20.250
39	.05	.83	1.1	-85.5	.85	.27	.24	42.19	1.900	21.000

TABLE 7 -
FLOOR FORCE AND MOMENT LOADS - MAIN PLACE HOTEL -- CONF. A -- DALLAS , TEXAS

DATA FOR WIND DIR. 0 REF. PRESS. -26.5 PSF GUST FACTOR= 1.320 REF. AREA- 2000 SQ FT REF. LENGTH- 200 FT

FLOOR	CFX	CFY	FORCE(X) (KIPS)	FORCE(Y) (KIPS)	CMX	CMY	CMZ	MOM(X)	MOM(Y) (1000-FT-KIPS)	MOM(Z)
1	1	1	12	-120	.05	.01	.27	985	.10	4.95
2	1	1	12	-118	.16	.02	.27	992	.45	4.95
3	1	1	12	-118	.17	.02	.17	998	.51	4.95
4	1	1	12	-118	.22	.03	.15	998	.51	4.95
5	1	1	12	-118	.22	.03	.13	998	.66	4.95
6	1	1	12	-118	.33	.04	.13	998	.66	4.95
7	1	1	12	-118	.44	.04	.14	998	.66	4.95
8	1	1	12	-118	.50	.03	.14	998	.46	4.95
9	1	1	12	-118	.50	.00	.14	998	.46	4.95
10	1	1	12	-118	.50	.00	.14	998	.46	4.95
11	1	1	12	-118	.50	.00	.14	998	.46	4.95
12	1	1	12	-118	.50	.00	.14	998	.46	4.95
13	1	1	12	-118	.50	.00	.14	998	.46	4.95
14	1	1	12	-118	.50	.00	.14	998	.46	4.95
15	1	1	12	-118	.50	.00	.14	998	.46	4.95
16	1	1	12	-118	.50	.00	.14	998	.46	4.95
17	1	1	12	-118	.50	.00	.14	998	.46	4.95
18	1	1	12	-118	.50	.00	.14	998	.46	4.95
19	1	1	12	-118	.50	.00	.14	998	.46	4.95
20	1	1	12	-118	.50	.00	.14	998	.46	4.95
21	1	1	12	-118	.50	.00	.14	998	.46	4.95
22	1	1	12	-118	.50	.00	.14	998	.46	4.95
23	1	1	12	-118	.50	.00	.14	998	.46	4.95
24	1	1	12	-118	.50	.00	.14	998	.46	4.95
25	1	1	12	-118	.50	.00	.14	998	.46	4.95
26	1	1	12	-118	.50	.00	.14	998	.46	4.95
27	1	1	12	-118	.50	.00	.14	998	.46	4.95
28	1	1	12	-118	.50	.00	.14	998	.46	4.95
29	1	1	12	-118	.50	.00	.14	998	.46	4.95
30	1	1	12	-118	.50	.00	.14	998	.46	4.95
31	1	1	12	-118	.50	.00	.14	998	.46	4.95
32	1	1	12	-118	.50	.00	.14	998	.46	4.95
33	1	1	12	-118	.50	.00	.14	998	.46	4.95
34	1	1	12	-118	.50	.00	.14	998	.46	4.95
35	1	1	12	-118	.50	.00	.14	998	.46	4.95
36	1	1	12	-118	.50	.00	.14	998	.46	4.95
37	1	1	12	-118	.50	.00	.14	998	.46	4.95
38	1	1	12	-118	.50	.00	.14	998	.46	4.95
39	1	1	12	-118	.50	.00	.14	998	.46	4.95
40	1	1	12	-118	.50	.00	.14	998	.46	4.95
41	1	1	12	-118	.50	.00	.14	998	.46	4.95
42	1	1	12	-118	.50	.00	.14	998	.46	4.95
43	1	1	12	-118	.50	.00	.14	998	.46	4.95
44	1	1	12	-118	.50	.00	.14	998	.46	4.95
45	1	1	12	-118	.50	.00	.14	998	.46	4.95
46	1	1	12	-118	.50	.00	.14	998	.46	4.95
47	1	1	12	-118	.50	.00	.14	998	.46	4.95
48	1	1	12	-118	.50	.00	.14	998	.46	4.95
49	1	1	12	-118	.50	.00	.14	998	.46	4.95
50	1	1	12	-118	.50	.00	.14	998	.46	4.95
51	1	1	12	-118	.50	.00	.14	998	.46	4.95
52	1	1	12	-118	.50	.00	.14	998	.46	4.95
53	1	1	12	-118	.50	.00	.14	998	.46	4.95
54	1	1	12	-118	.50	.00	.14	998	.46	4.95
55	1	1	12	-118	.50	.00	.14	998	.46	4.95
56	1	1	12	-118	.50	.00	.14	998	.46	4.95
57	1	1	12	-118	.50	.00	.14	998	.46	4.95
58	1	1	12	-118	.50	.00	.14	998	.46	4.95
59	1	1	12	-118	.50	.00	.14	998	.46	4.95
60	1	1	12	-118	.50	.00	.14	998	.46	4.95
61	1	1	12	-118	.50	.00	.14	998	.46	4.95
62	1	1	12	-118	.50	.00	.14	998	.46	4.95
63	1	1	12	-118	.50	.00	.14	998	.46	4.95
64	1	1	12	-118	.50	.00	.14	998	.46	4.95
65	1	1	12	-118	.50	.00	.14	998	.46	4.95
66	1	1	12	-118	.50	.00	.14	998	.46	4.95
67	1	1	12	-118	.50	.00	.14	998	.46	4.95
68	1	1	12	-118	.50	.00	.14	998	.46	4.95
69	1	1	12	-118	.50	.00	.14	998	.46	4.95
70	1	1	12	-118	.50	.00	.14	998	.46	4.95
71	1	1	12	-118	.50	.00	.14	998	.46	4.95
72	1	1	12	-118	.50	.00	.14	998	.46	4.95
73	1	1	12	-118	.50	.00	.14	998	.46	4.95
74	1	1	12	-118	.50	.00	.14	998	.46	4.95
75	1	1	12	-118	.50	.00	.14	998	.46	4.95
76	1	1	12	-118	.50	.00	.14	998	.46	4.95
77	1	1	12	-118	.50	.00	.14	998	.46	4.95
78	1	1	12	-118	.50	.00	.14	998	.46	4.95
79	1	1	12	-118	.50	.00	.14	998	.46	4.95
80	1	1	12	-118	.50	.00	.14	998	.46	4.95
81	1	1	12	-118	.50	.00	.14	998	.46	4.95
82	1	1	12	-118	.50	.00	.14	998	.46	4.95
83	1	1	12	-118	.50	.00	.14	998	.46	4.95
84	1	1	12	-118	.50	.00	.14	998	.46	4.95
85	1	1	12	-118	.50	.00	.14	998	.46	4.95
86	1	1	12	-118	.50	.00	.14	998	.46	4.95
87	1	1	12	-118	.50	.00	.14	998	.46	4.95
88	1	1	12	-118	.50	.00	.14	998	.46	4.95
89	1	1	12	-118	.50	.00	.14	998	.46	4.95
90	1	1	12	-118	.50	.00	.14	998	.46	4.95
91	1	1	12	-118	.50	.00	.14	998	.46	4.95
92	1	1	12	-118	.50	.00	.14	998	.46	4.95
93	1	1	12	-118	.50	.00	.14	998	.46	4.95
94	1	1	12	-118	.50	.00	.14	998	.46	4.95
95	1	1	12	-118	.50	.00	.14	998	.46	4.95
96	1	1	12	-118	.50	.00	.14	998	.46	4.95
97	1	1	12	-118	.50	.00	.14	998	.46	4.95
98	1	1	12	-118	.50	.00	.14	998	.46	4.95
99	1	1	12	-118	.50	.00	.14	998	.46	4.95
100	1	1	12	-118	.50	.00	.14	998	.46	4.95

TABLE 7 -
FLOOR FORCE AND MOMENT LOADS - MAIN PLACE HOTEL -- CONF. B -- DALLAS , TEXAS

DATA FOR WIND DIR. 0 REF. PRESS. -26.5 PSF GUST FACTOR= 1.320 REF. AREA- 2000.00 FT REF. LENGTH- 200. FT

FLOOR	CFX	CFY	FORCE(X) (KIPS)	FORCE(Y) (KIPS)	CMX	CMY	CMZ	MOM(X) (1000-FT-KIPS)	MOM(Y) (1000-FT-KIPS)	MOM(Z)
1	.00	.00	7.00	34.00	.00	.00	.14	2.86	.64	-2.67
2	.00	.00	10.00	44.00	.00	.00	.14	3.88	.88	-3.67
3	.00	.00	12.00	52.00	.00	.00	.14	4.66	1.11	-4.44
4	.00	.00	14.00	60.00	.00	.00	.14	5.33	1.33	-5.11
5	.00	.00	16.00	68.00	.00	.00	.14	6.00	1.56	-5.78
6	.00	.00	18.00	76.00	.00	.00	.14	6.67	1.78	-6.44
7	.00	.00	20.00	84.00	.00	.00	.14	7.33	2.00	-7.11
8	.00	.00	22.00	92.00	.00	.00	.14	8.00	2.22	-7.78
9	.00	.00	24.00	100.00	.00	.00	.14	8.67	2.44	-8.44
10	.00	.00	26.00	108.00	.00	.00	.14	9.33	2.67	-9.11
11	.00	.00	28.00	116.00	.00	.00	.14	10.00	2.89	-9.78
12	.00	.00	30.00	124.00	.00	.00	.14	10.67	3.11	-10.44
13	.00	.00	32.00	132.00	.00	.00	.14	11.33	3.33	-11.11
14	.00	.00	34.00	140.00	.00	.00	.14	12.00	3.56	-11.78
15	.00	.00	36.00	148.00	.00	.00	.14	12.67	3.78	-12.44
16	.00	.00	38.00	156.00	.00	.00	.14	13.33	4.00	-13.11
17	.00	.00	40.00	164.00	.00	.00	.14	14.00	4.22	-13.78
18	.00	.00	42.00	172.00	.00	.00	.14	14.67	4.44	-14.44
19	.00	.00	44.00	180.00	.00	.00	.14	15.33	4.67	-15.11
20	.00	.00	46.00	188.00	.00	.00	.14	16.00	4.89	-15.78
21	.00	.00	48.00	196.00	.00	.00	.14	16.67	5.11	-16.44
22	.00	.00	50.00	204.00	.00	.00	.14	17.33	5.33	-17.11
23	.00	.00	52.00	212.00	.00	.00	.14	18.00	5.56	-17.78
24	.00	.00	54.00	220.00	.00	.00	.14	18.67	5.78	-18.44
25	.00	.00	56.00	228.00	.00	.00	.14	19.33	6.00	-19.11
26	.00	.00	58.00	236.00	.00	.00	.14	20.00	6.22	-19.78
27	.00	.00	60.00	244.00	.00	.00	.14	20.67	6.44	-20.44
28	.00	.00	62.00	252.00	.00	.00	.14	21.33	6.67	-21.11
29	.00	.00	64.00	260.00	.00	.00	.14	22.00	6.89	-21.78
30	.00	.00	66.00	268.00	.00	.00	.14	22.67	7.11	-22.44
31	.00	.00	68.00	276.00	.00	.00	.14	23.33	7.33	-23.11
32	.00	.00	70.00	284.00	.00	.00	.14	24.00	7.56	-23.78
33	.00	.00	72.00	292.00	.00	.00	.14	24.67	7.78	-24.44
34	.00	.00	74.00	300.00	.00	.00	.14	25.33	8.00	-25.11
35	.00	.00	76.00	308.00	.00	.00	.14	26.00	8.22	-25.78
36	.00	.00	78.00	316.00	.00	.00	.14	26.67	8.44	-26.44
37	.00	.00	80.00	324.00	.00	.00	.14	27.33	8.67	-27.11
38	.00	.00	82.00	332.00	.00	.00	.14	28.00	8.89	-27.78
39	.00	.00	84.00	340.00	.00	.00	.14	28.67	9.11	-28.44
40	.00	.00	86.00	348.00	.00	.00	.14	29.33	9.33	-29.11
41	.00	.00	88.00	356.00	.00	.00	.14	30.00	9.56	-29.78
42	.00	.00	90.00	364.00	.00	.00	.14	30.67	9.78	-30.44
43	.00	.00	92.00	372.00	.00	.00	.14	31.33	10.00	-31.11
44	.00	.00	94.00	380.00	.00	.00	.14	32.00	10.22	-31.78
45	.00	.00	96.00	388.00	.00	.00	.14	32.67	10.44	-32.44
46	.00	.00	98.00	396.00	.00	.00	.14	33.33	10.67	-33.11
47	.00	.00	100.00	404.00	.00	.00	.14	34.00	10.89	-33.78
48	.00	.00	102.00	412.00	.00	.00	.14	34.67	11.11	-34.44
49	.00	.00	104.00	420.00	.00	.00	.14	35.33	11.33	-35.11
50	.00	.00	106.00	428.00	.00	.00	.14	36.00	11.56	-35.78
51	.00	.00	108.00	436.00	.00	.00	.14	36.67	11.78	-36.44
52	.00	.00	110.00	444.00	.00	.00	.14	37.33	12.00	-37.11
53	.00	.00	112.00	452.00	.00	.00	.14	38.00	12.22	-37.78
54	.00	.00	114.00	460.00	.00	.00	.14	38.67	12.44	-38.44
55	.00	.00	116.00	468.00	.00	.00	.14	39.33	12.67	-39.11
56	.00	.00	118.00	476.00	.00	.00	.14	40.00	12.89	-39.78
57	.00	.00	120.00	484.00	.00	.00	.14	40.67	13.11	-40.44
58	.00	.00	122.00	492.00	.00	.00	.14	41.33	13.33	-41.11
59	.00	.00	124.00	500.00	.00	.00	.14	42.00	13.56	-41.78
60	.00	.00	126.00	508.00	.00	.00	.14	42.67	13.78	-42.44
61	.00	.00	128.00	516.00	.00	.00	.14	43.33	14.00	-43.11
62	.00	.00	130.00	524.00	.00	.00	.14	44.00	14.22	-43.78
63	.00	.00	132.00	532.00	.00	.00	.14	44.67	14.44	-44.44
64	.00	.00	134.00	540.00	.00	.00	.14	45.33	14.67	-45.11
65	.00	.00	136.00	548.00	.00	.00	.14	46.00	14.89	-45.78
66	.00	.00	138.00	556.00	.00	.00	.14	46.67	15.11	-46.44
67	.00	.00	140.00	564.00	.00	.00	.14	47.33	15.33	-47.11
68	.00	.00	142.00	572.00	.00	.00	.14	48.00	15.56	-47.78
69	.00	.00	144.00	580.00	.00	.00	.14	48.67	15.78	-48.44
70	.00	.00	146.00	588.00	.00	.00	.14	49.33	16.00	-49.11
71	.00	.00	148.00	596.00	.00	.00	.14	50.00	16.22	-49.78
72	.00	.00	150.00	604.00	.00	.00	.14	50.67	16.44	-50.44
73	.00	.00	152.00	612.00	.00	.00	.14	51.33	16.67	-51.11
74	.00	.00	154.00	620.00	.00	.00	.14	52.00	16.89	-51.78
75	.00	.00	156.00	628.00	.00	.00	.14	52.67	17.11	-52.44
76	.00	.00	158.00	636.00	.00	.00	.14	53.33	17.33	-53.11
77	.00	.00	160.00	644.00	.00	.00	.14	54.00	17.56	-53.78
78	.00	.00	162.00	652.00	.00	.00	.14	54.67	17.78	-54.44
79	.00	.00	164.00	660.00	.00	.00	.14	55.33	18.00	-55.11
80	.00	.00	166.00	668.00	.00	.00	.14	56.00	18.22	-55.78
81	.00	.00	168.00	676.00	.00	.00	.14	56.67	18.44	-56.44
82	.00	.00	170.00	684.00	.00	.00	.14	57.33	18.67	-57.11
83	.00	.00	172.00	692.00	.00	.00	.14	58.00	18.89	-57.78
84	.00	.00	174.00	700.00	.00	.00	.14	58.67	19.11	-58.44
85	.00	.00	176.00	708.00	.00	.00	.14	59.33	19.33	-59.11
86	.00	.00	178.00	716.00	.00	.00	.14	60.00	19.56	-59.78
87	.00	.00	180.00	724.00	.00	.00	.14	60.67	19.78	-60.44
88	.00	.00	182.00	732.00	.00	.00	.14	61.33	20.00	-61.11
89	.00	.00	184.00	740.00	.00	.00	.14	62.00	20.22	-61.78
90	.00	.00	186.00	748.00	.00	.00	.14	62.67	20.44	-62.44
91	.00	.00	188.00	756.00	.00	.00	.14	63.33	20.67	-63.11
92	.00	.00	190.00	764.00	.00	.00	.14	64.00	20.89	-63.78
93	.00	.00	192.00	772.00	.00	.00	.14	64.67	21.11	-64.44
94	.00	.00	194.00	780.00	.00	.00	.14	65.33	21.33	-65.11
95	.00	.00	196.00	788.00	.00	.00	.14	66.00	21.56	-65.78
96	.00	.00	198.00	796.00	.00	.00	.14	66.67	21.78	-66.44
97	.00	.00	200.00	804.00	.00	.00	.14	67.33	22.00	-67.11
98	.00	.00	202.00	812.00	.00	.00	.14	68.00	22.22	-67.78
99	.00	.00	204.00	820.00	.00	.00	.14	68.67	22.44	-68.44
100	.00	.00	206.00	828.00	.00	.00	.14	69.33	22.67	-69.11
101	.00	.00	208.00	836.00	.00	.00	.14	70.00	22.89	-69.78
102	.00	.00	210.00	844.00	.00	.00	.14	70.67	23.11	-70.44
103	.00	.00	212.00	852.00	.00	.00	.14	71.33	23.33	-71.11
104	.00	.00	214.00	860.00	.00	.00	.14	72.00	23.56	-71.78
105	.00	.00	216.00	868.00	.00	.00	.14	72.67	23.78	-72.44
106	.00	.00	218.00	876.00	.00	.00	.14	73.33	24.00	-73.11
107	.00	.00	220.00	884.00	.00	.00	.14	74.00	24.22	-73.78
108	.00	.00	222.00	892.00	.00	.00	.14	74.67	24.44	-74.44
109	.00	.00	224.00	900.00	.00	.00	.14	75.33	24.67	-75.11
110	.00	.00	226.00	908.00	.00	.00	.14	76.00	24.89	-75.78
111	.00	.00	228.00	916.00	.00	.00	.14	76.67	25.11	-76.44
112	.00	.00	230.00	924.00	.00	.00	.14	77.33	25.33	-77.11
113	.00	.00	232.00	932.00	.00	.00	.14	78.00	25.56	-77.78
114	.00	.00	234.00	940.00	.00	.00	.14	78.67	25.78	-78.44
115	.00	.00	236.00	948.00	.00	.00	.14	79.33	26.00	-79.11
116	.00	.00	238.00	956.00	.00	.00	.14	80.00	26.22	-79.78
117	.00	.00	240.00	964.00	.00	.00	.14	80.67	26.44	-80.44
118	.00	.00	242.00	972.00	.00	.00	.14	81.33	26.67	-81.11
119	.00	.00	244.00	980.00	.00	.00	.14	82.00	26.89	-81.78
120	.00	.00	246.00	988.00	.00	.00	.14	82.67	27.11	-82.44
121	.00	.00	248.00	996.00	.00	.00	.14	83.33	27.33	-83.11
122	.00	.00	250.00	1004.00	.00	.00	.14	84.00	27.56	-83.78
123	.00	.00	252.00	1012.00	.00	.00	.14	84.67	27	

TABLE 7 -
FLOOR FORCE AND MOMENT LOADS - MAIN PLACE HOTEL -- CONF. B -- DALLAS , TEXAS

DATA FOR WIND DIR. 15 REF. PRESS. -26.5 PSF GUST FACTOR= 1.320 REF. AREA- 2000. SQ FT REF. LENGTH- 200. FT

FLOOR	CFX	CFY	FORCE(X) (KIPS)	FORCE(Y) (KIPS)	CMX	CMY	CMZ	MOM(X)	MOM(Y) (1000-FT-KIPS)	MOM(Z)
1	.12	-.83	11.8	14.7	.02	.01	-.07	1.399	.094	-1.258
2	.16	-.60	15.0	14.4	.07	.02	-.05	1.372	.368	-.888
3	.14	-.48	12.2	14.5	.09	.03	-.03	1.699	.482	-.592
4	.18	-.34	16.2	14.9	.13	.04	-.03	2.222	.811	-.358
5	.22	-.61	20.0	15.3	.18	.07	-.04	3.393	1.204	-.649
6	.23	-.64	21.5	15.6	.23	.08	-.05	4.227	1.534	-.875
7	.23	-.66	21.2	16.0	.27	.09	-.06	4.995	1.742	-1.039
8	.20	-.64	18.1	16.2	.27	.09	-.06	5.520	1.685	-1.178
9	.22	-.67	20.0	16.5	.33	.11	-.06	6.463	1.911	-1.111
10	.14	-.55	12.2	16.8	.33	.08	-.08	6.839	1.855	-1.110
11	.12	-.55	11.2	17.0	.35	.08	-.08	6.448	1.420	-1.214
12	.10	-.55	9.6	17.1	.38	.07	-.08	7.066	1.319	-1.318
13	.09	-.55	9.0	17.1	.42	.06	-.09	7.693	1.181	-1.422
14	.07	-.55	6.3	17.3	.45	.05	-.09	8.329	1.006	-1.527
15	.03	-.55	4.4	17.4	.55	.04	-.10	8.974	.799	-1.631
16	.01	-.55	3.0	17.4	.55	.03	-.10	9.628	.550	-1.735
17	.01	-.55	3.3	17.5	.66	.01	-.11	10.354	.253	-1.851
18	.01	-.55	3.6	17.5	.61	.01	-.11	11.043	.115	-1.889
19	.00	-.55	2.2	17.7	.67	.00	-.11	12.375	.041	-1.927
20	.01	-.55	1.9	17.7	.77	.01	-.11	13.450	.041	-1.965
21	.00	-.55	1.7	17.7	.93	.02	-.11	14.568	.041	-2.003
22	.00	-.55	1.5	17.7	.99	.03	-.11	15.729	.041	-2.041
23	.00	-.55	1.1	17.8	1.05	.04	-.11	16.933	.041	-2.079
24	.04	-.55	1.9	17.8	.99	.06	-.11	18.170	.041	-2.127
25	.03	-.55	1.8	17.8	1.05	.04	-.11	19.416	.041	-2.177
26	.02	-.55	1.0	17.9	1.12	.03	-.11	20.701	.041	-2.228
27	.01	-.55	1.1	17.9	1.19	.02	-.11	22.026	.041	-2.278
28	.00	-.55	1.2	17.7	1.27	.00	-.11	23.391	.041	-2.328
29	.01	-.55	1.0	17.7	1.35	.01	-.11	24.799	.041	-2.378
30	.02	-.55	1.0	17.6	1.43	.03	-.11	26.253	.041	-2.428
31	.03	-.55	2.3	17.7	1.51	.05	-.11	27.756	.041	-2.478
32	.04	-.55	3.3	17.7	1.51	.07	-.11	29.309	.041	-2.528
33	.05	-.55	4.4	17.7	1.57	.09	-.11	30.937	.041	-2.578
34	.06	-.55	5.5	17.9	1.65	.12	-.11	32.649	.041	-2.628
35	.07	-.55	6.6	17.9	1.73	.14	-.11	34.449	.041	-2.678
36	.08	-.55	7.7	18.0	1.81	.17	-.11	36.324	.041	-2.728
37	.12	-.55	10.9	18.0	1.86	.24	-.11	38.277	.041	-2.778
38	.10	-.55	9.1	18.0	1.81	.21	-.11	40.306	.041	-2.828
39	.11	-.55	10.1	18.0	1.82	.24	-.11	42.416	.041	-2.878

TABLE 7 -
FLOOR FORCE AND MOMENT LOADS - MAIN PLACE HOTEL -- CONF. B -- DALLAS , TEXAS

DATA FOR WIND DIR. 30 REF. PRESS. -26.5 PSF GUST FACTOR= 1.320 REF. AREA- 2000.00 FT REF. LENGTH- 200.00 FT

FLOOR	CFX	CFY	FORCE(X) (KIPS)	FORCE(Y) (KIPS)	CMX	CMY	CMZ	MOM(X)	MOM(Y) (1000-FT-KIPS)	MOM(Z)
1	.35	.61	31.9	-.4	.03	.01	-.06	4.62	.262	-1.036
2	.32	.57	29.2	-.5	.08	.04	-.06	5.26	.718	-1.115
3	.19	.49	17.9	-.4	.09	.04	-.05	7.44	.686	-.860
4	.19	.53	17.7	-.4	.13	.05	-.05	2.409	.842	-.970
5	.17	.57	15.1	-.4	.17	.05	-.06	3.157	.933	-1.142
6	.17	.56	15.3	-.4	.20	.06	-.07	3.720	1.125	-1.241
7	.16	.56	15.2	-.4	.23	.07	-.07	4.236	1.248	-1.309
8	.14	.53	14.4	-.4	.25	.07	-.08	4.577	1.220	-1.463
9	.16	.44	14.4	-.4	.28	.08	-.09	5.184	1.504	-1.605
10	.10	.44	10.9	-.4	.26	.06	-.16	4.719	.927	-2.926
11	.09	.46	9.8	-.4	.29	.06	-.16	5.325	.963	-3.034
12	.09	.47	9.8	-.4	.32	.06	-.17	5.958	1.088	-3.141
13	.08	.48	7.7	-.4	.36	.06	-.18	6.618	1.102	-3.249
14	.08	.50	7.7	-.4	.40	.06	-.18	7.305	1.106	-3.357
15	.07	.51	6.6	-.4	.43	.06	-.19	8.019	.998	-3.465
16	.06	.53	6.6	-.4	.47	.06	-.19	8.760	.980	-3.573
17	.06	.54	6.6	-.4	.52	.06	-.20	9.548	.936	-3.689
18	.07	.56	6.6	-.4	.57	.06	-.20	10.313	.966	-3.774
19	.07	.58	6.6	-.4	.62	.07	-.21	11.055	.944	-3.859
20	.07	.60	6.6	-.4	.68	.08	-.22	11.781	.949	-3.945
21	.08	.63	6.6	-.4	.74	.09	-.22	12.493	.960	-4.030
22	.08	.65	6.6	-.4	.80	.10	-.22	13.191	.970	-4.115
23	.08	.67	6.6	-.4	.87	.10	-.22	13.874	.981	-4.201
24	.08	.69	6.6	-.4	.93	.11	-.23	14.543	.990	-4.291
25	.08	.71	6.6	-.4	.99	.12	-.24	15.198	.976	-4.376
26	.08	.73	6.6	-.4	1.06	.12	-.24	15.839	.972	-4.461
27	.08	.74	6.6	-.4	1.12	.13	-.25	16.467	.969	-4.546
28	.09	.76	6.6	-.4	1.19	.13	-.25	17.081	.967	-4.631
29	.09	.77	6.6	-.4	1.25	.14	-.25	17.681	.965	-4.716
30	.08	.77	6.6	-.4	1.30	.14	-.25	18.267	.963	-4.802
31	.08	.78	6.6	-.4	1.34	.14	-.26	18.839	.961	-4.888
32	.08	.78	6.6	-.4	1.39	.14	-.26	19.397	.959	-4.974
33	.07	.78	6.6	-.4	1.44	.14	-.26	19.941	.957	-5.060
34	.07	.78	6.6	-.4	1.49	.14	-.26	20.471	.955	-5.146
35	.07	.79	6.6	-.4	1.53	.14	-.26	20.987	.953	-5.232
36	.07	.79	6.6	-.4	1.58	.14	-.26	21.489	.951	-5.318
37	.11	.78	10.3	-.4	1.60	.23	-.26	21.976	.949	-5.404
38	.10	.72	8.6	-.4	1.52	.21	-.26	22.448	.947	-5.490
39	.14	.92	14.0	-.4	1.60	.31	-.31	22.905	.945	-5.576

TABLE 7 -
FLOOR FORCE AND MOMENT LOADS - MAIN PLACE HOTEL -- CONF. B -- DALLAS , TEXAS

DATA FOR WIND DIR. 45 REF. PRESS.-26.5 PSF GUST FACTOR= 1.320 REF. AREA- 2000.00 FT REF. LENGTH- 200.00 FT

FLOOR	CFX	CFY	FORCE(X) (KIPS)	FORCE(Y) (KIPS)	CMX	CMY	CMZ	MOM(X)	MOM(Y) (1000-FT-KIPS)	MOM(Z)
1	.07	.41	6.1	3.1	.02	.00	.11	3.12	.050	-1.9991
2	.09	.41	5.5	3.2	.05	.01	.09	9.39	.210	-1.742
3	.06	.28	5.5	3.2	.05	.01	.06	9.89	.214	-1.085
4	.05	.28	4.6	3.0	.07	.01	.06	1.280	.226	-1.089
5	.04	.28	4.6	3.0	.08	.01	.06	1.558	.215	-1.080
6	.02	.25	4.0	2.8	.09	.01	.06	1.652	.142	-1.116
7	.01	.19	3.5	2.5	.09	.00	.06	1.689	.042	-1.138
8	.01	.19	3.5	2.5	.09	.00	.07	1.670	.079	-1.215
9	.00	.19	3.1	2.6	.10	.00	.08	1.837	.012	-1.470
10	.00	.17	3.1	2.6	.10	.00	.10	1.843	.016	-1.886
11	.00	.17	3.1	2.6	.11	.00	.10	2.036	.012	-1.906
12	.00	.18	3.1	2.6	.11	.00	.10	2.232	.044	-1.927
13	.01	.18	3.1	2.6	.11	.00	.11	2.431	.044	-1.947
14	.01	.18	3.1	2.6	.11	.01	.11	2.633	.044	-1.968
15	.01	.18	3.1	2.6	.11	.01	.11	2.838	.044	-1.988
16	.01	.18	3.1	2.6	.16	.01	.11	3.046	.221	-2.009
17	.02	.18	3.1	2.6	.18	.02	.11	3.261	.314	-2.013
18	.02	.19	3.1	2.6	.19	.02	.10	3.504	.344	-1.928
19	.02	.19	3.1	2.6	.20	.02	.10	3.754	.376	-1.843
20	.02	.19	3.1	2.6	.22	.02	.10	4.009	.409	-1.759
21	.02	.20	3.1	2.6	.23	.02	.09	4.271	.440	-1.674
22	.02	.20	3.1	2.6	.25	.02	.09	4.538	.473	-1.589
23	.02	.20	3.1	2.6	.26	.03	.08	4.812	.516	-1.504
24	.02	.20	3.1	2.6	.27	.03	.08	5.092	.559	-1.408
25	.02	.19	3.1	2.6	.27	.03	.07	5.378	.602	-1.266
26	.03	.18	3.1	2.6	.27	.04	.06	5.669	.645	-1.124
27	.03	.18	3.1	2.6	.27	.04	.05	5.963	.688	-982
28	.03	.17	3.1	2.6	.26	.05	.05	6.261	.731	-840
29	.03	.16	3.1	2.6	.26	.05	.04	6.563	.774	-726
30	.03	.15	3.1	2.6	.25	.05	.04	6.867	.817	-664
31	.03	.14	3.1	2.6	.24	.05	.03	7.173	.860	-602
32	.03	.13	3.1	2.6	.24	.05	.03	7.480	.903	-541
33	.03	.12	3.1	2.6	.23	.05	.03	7.787	.946	-479
34	.03	.11	3.1	2.6	.22	.06	.03	8.094	.989	-417
35	.03	.10	3.1	2.6	.21	.06	.02	8.401	1.032	-355
36	.03	.10	3.1	2.6	.20	.06	.02	8.708	1.075	-293
37	.03	.10	3.1	2.6	.19	.06	.02	9.015	1.118	-231
38	.03	.10	3.1	2.6	.18	.06	.02	9.322	1.161	-169
39	.03	.10	3.1	2.6	.17	.06	.02	9.629	1.204	-107

TABLE 7 -
FLOOR FORCE AND MOMENT LOADS - MAIN PLACE HOTEL -- CONF. B -- DALLAS , TEXAS

DATA FOR WIND DIR. 60 REF. PRESS.-26.5 PSF GUST FACTOR= 1.320 REF. AREA- 2000.SQ FT REF. LENGTH- 200.FT

FLOOR	CFX	CFY	FORCE(X) (KIPS)	FORCE(Y) (KIPS)	CMX	CMY	CMZ	MOM(X)	MOM(Y) (1000-FI-KIPS)	MOM(Z)
1	.10	.03	.19	.44	.00	.00	.04	.020	.077	.742
2	.09	.04	.18	.42	.01	.01	.02	.102	.180	.390
3	.08	.03	.17	.40	.01	.01	.01	.115	.168	.097
4	.07	.03	.16	.38	.01	.01	.00	.154	.219	.015
5	.06	.03	.15	.36	.01	.01	.00	.178	.254	.081
6	.05	.04	.14	.34	.02	.02	.00	.220	.369	.052
7	.04	.06	.13	.32	.03	.03	.00	.248	.453	.046
8	.03	.07	.12	.30	.04	.04	.00	.290	.582	.008
9	.02	.07	.11	.28	.04	.04	.01	.338	.769	.104
10	.01	.06	.10	.26	.04	.04	.00	.390	.990	.147
11	.01	.06	.09	.24	.05	.05	.00	.448	.126	.148
12	.01	.06	.08	.22	.05	.05	.01	.512	.163	.119
13	.01	.06	.07	.20	.06	.06	.01	.580	.224	.136
14	.01	.06	.06	.18	.06	.06	.01	.650	.300	.150
15	.01	.07	.05	.16	.07	.07	.01	.720	.392	.149
16	.01	.07	.04	.14	.08	.08	.01	.790	.485	.148
17	.01	.07	.03	.12	.09	.09	.01	.860	.581	.147
18	.01	.08	.02	.10	.09	.09	.01	.930	.679	.146
19	.01	.08	.01	.08	.10	.10	.01	.1000	.778	.145
20	.01	.08	.01	.06	.11	.11	.01	.1100	.880	.144
21	.01	.09	.01	.04	.11	.11	.01	.1200	.999	.141
22	.01	.09	.01	.02	.12	.12	.01	.1300	1.140	.137
23	.01	.09	.01	.01	.12	.12	.01	.1400	1.333	.133
24	.01	.09	.01	.01	.14	.14	.01	.1500	1.434	.130
25	.01	.09	.01	.01	.15	.15	.01	.1600	1.589	.126
26	.01	.09	.01	.01	.16	.16	.01	.1700	1.700	.117
27	.01	.09	.01	.01	.17	.17	.01	.1800	1.855	.094
28	.01	.09	.01	.01	.17	.17	.00	.1900	2.000	.071
29	.01	.09	.01	.01	.17	.17	.00	.2000	2.154	.048
30	.01	.09	.01	.01	.17	.17	.00	.2100	2.308	.025
31	.01	.09	.01	.01	.17	.17	.00	.2200	2.462	.002
32	.01	.09	.01	.01	.17	.17	.00	.2300	2.617	.000
33	.01	.09	.01	.01	.17	.17	.00	.2400	2.771	.000
34	.01	.09	.01	.01	.17	.17	.00	.2500	2.926	.000
35	.01	.09	.01	.01	.17	.17	.00	.2600	3.080	.000
36	.01	.09	.01	.01	.17	.17	.00	.2700	3.235	.000
37	.01	.09	.01	.01	.17	.17	.00	.2800	3.389	.000
38	.01	.09	.01	.01	.17	.17	.00	.2900	3.544	.000
39	.01	.09	.01	.01	.17	.17	.00	.3000	3.698	.000
40	.01	.09	.01	.01	.17	.17	.00	.3100	3.853	.000
41	.01	.09	.01	.01	.17	.17	.00	.3200	4.007	.000
42	.01	.09	.01	.01	.17	.17	.00	.3300	4.162	.000
43	.01	.09	.01	.01	.17	.17	.00	.3400	4.316	.000
44	.01	.09	.01	.01	.17	.17	.00	.3500	4.471	.000
45	.01	.09	.01	.01	.17	.17	.00	.3600	4.625	.000
46	.01	.09	.01	.01	.17	.17	.00	.3700	4.780	.000
47	.01	.09	.01	.01	.17	.17	.00	.3800	4.934	.000
48	.01	.09	.01	.01	.17	.17	.00	.3900	5.089	.000
49	.01	.09	.01	.01	.17	.17	.00	.4000	5.243	.000
50	.01	.09	.01	.01	.17	.17	.00	.4100	5.398	.000
51	.01	.09	.01	.01	.17	.17	.00	.4200	5.552	.000
52	.01	.09	.01	.01	.17	.17	.00	.4300	5.707	.000
53	.01	.09	.01	.01	.17	.17	.00	.4400	5.861	.000
54	.01	.09	.01	.01	.17	.17	.00	.4500	6.016	.000
55	.01	.09	.01	.01	.17	.17	.00	.4600	6.170	.000
56	.01	.09	.01	.01	.17	.17	.00	.4700	6.325	.000
57	.01	.09	.01	.01	.17	.17	.00	.4800	6.479	.000
58	.01	.09	.01	.01	.17	.17	.00	.4900	6.634	.000
59	.01	.09	.01	.01	.17	.17	.00	.5000	6.788	.000
60	.01	.09	.01	.01	.17	.17	.00	.5100	6.942	.000
61	.01	.09	.01	.01	.17	.17	.00	.5200	7.097	.000
62	.01	.09	.01	.01	.17	.17	.00	.5300	7.251	.000
63	.01	.09	.01	.01	.17	.17	.00	.5400	7.406	.000
64	.01	.09	.01	.01	.17	.17	.00	.5500	7.560	.000
65	.01	.09	.01	.01	.17	.17	.00	.5600	7.715	.000
66	.01	.09	.01	.01	.17	.17	.00	.5700	7.869	.000
67	.01	.09	.01	.01	.17	.17	.00	.5800	8.024	.000
68	.01	.09	.01	.01	.17	.17	.00	.5900	8.178	.000
69	.01	.09	.01	.01	.17	.17	.00	.6000	8.333	.000
70	.01	.09	.01	.01	.17	.17	.00	.6100	8.487	.000
71	.01	.09	.01	.01	.17	.17	.00	.6200	8.642	.000
72	.01	.09	.01	.01	.17	.17	.00	.6300	8.796	.000
73	.01	.09	.01	.01	.17	.17	.00	.6400	8.951	.000
74	.01	.09	.01	.01	.17	.17	.00	.6500	9.105	.000
75	.01	.09	.01	.01	.17	.17	.00	.6600	9.260	.000
76	.01	.09	.01	.01	.17	.17	.00	.6700	9.414	.000
77	.01	.09	.01	.01	.17	.17	.00	.6800	9.569	.000
78	.01	.09	.01	.01	.17	.17	.00	.6900	9.723	.000
79	.01	.09	.01	.01	.17	.17	.00	.7000	9.878	.000
80	.01	.09	.01	.01	.17	.17	.00	.7100	10.032	.000
81	.01	.09	.01	.01	.17	.17	.00	.7200	10.187	.000
82	.01	.09	.01	.01	.17	.17	.00	.7300	10.341	.000
83	.01	.09	.01	.01	.17	.17	.00	.7400	10.496	.000
84	.01	.09	.01	.01	.17	.17	.00	.7500	10.650	.000
85	.01	.09	.01	.01	.17	.17	.00	.7600	10.805	.000
86	.01	.09	.01	.01	.17	.17	.00	.7700	10.959	.000
87	.01	.09	.01	.01	.17	.17	.00	.7800	11.114	.000
88	.01	.09	.01	.01	.17	.17	.00	.7900	11.268	.000
89	.01	.09	.01	.01	.17	.17	.00	.8000	11.423	.000
90	.01	.09	.01	.01	.17	.17	.00	.8100	11.577	.000
91	.01	.09	.01	.01	.17	.17	.00	.8200	11.732	.000
92	.01	.09	.01	.01	.17	.17	.00	.8300	11.886	.000
93	.01	.09	.01	.01	.17	.17	.00	.8400	12.041	.000
94	.01	.09	.01	.01	.17	.17	.00	.8500	12.195	.000
95	.01	.09	.01	.01	.17	.17	.00	.8600	12.350	.000
96	.01	.09	.01	.01	.17	.17	.00	.8700	12.504	.000
97	.01	.09	.01	.01	.17	.17	.00	.8800	12.659	.000
98	.01	.09	.01	.01	.17	.17	.00	.8900	12.813	.000
99	.01	.09	.01	.01	.17	.17	.00	.9000	12.968	.000
100	.01	.09	.01	.01	.17	.17	.00	.9100	13.122	.000
101	.01	.09	.01	.01	.17	.17	.00	.9200	13.277	.000
102	.01	.09	.01	.01	.17	.17	.00	.9300	13.431	.000
103	.01	.09	.01	.01	.17	.17	.00	.9400	13.586	.000
104	.01	.09	.01	.01	.17	.17	.00	.9500	13.740	.000
105	.01	.09	.01	.01	.17	.17	.00	.9600	13.895	.000
106	.01	.09	.01	.01	.17	.17	.00	.9700	14.049	.000
107	.01	.09	.01	.01	.17	.17	.00	.9800	14.204	.000
108	.01	.09	.01	.01	.17	.17	.00	.9900	14.358	.000
109	.01	.09	.01	.01	.17	.17	.00	10.000	14.513	.000
110	.01	.09	.01	.01	.17	.17	.00	10.154	14.667	.000
111	.01	.09	.01	.01	.17	.17	.00	10.309	14.821	.000
112	.01	.09	.01	.01	.17	.17	.00	10.463	14.976	.000
113	.01	.09	.01	.01	.17	.17	.00	10.618	15.130	.000
114	.01	.09	.01	.01	.17	.17	.00	10.772	15.285	.000
115	.01	.09	.01	.01	.17	.17	.00	10.927	15.439	.000
116	.01	.09	.01	.01	.17	.17	.00	11.081	15.594	.000
117	.01	.09	.01	.01	.17	.17	.00	11.236	15.748	.000
118	.01	.09	.01	.01	.17	.17	.00	11.390	15.903	.000
119	.01	.09	.01	.01	.17	.17	.00	11.545	16.057	.000
120	.01	.09	.01	.01	.17	.17	.00	11.699	16.212	.000
121	.01	.09	.01	.01	.17	.17	.00	11.854	16.366	.000
122	.01	.09	.01	.01	.17	.17	.00	12.008	16.521	.000
123	.01	.09	.01	.01	.17	.17	.00	12.163	16.675	.000
124	.01	.09	.01	.01	.17	.17	.00	12.317	16.830	.000
125	.01	.09	.01	.01	.17	.17	.00	12.472	16.984	.000
126	.01	.09	.01	.01	.17	.17	.00	12.626	17.139	.000
127	.01	.09	.01	.01	.17	.17	.00	12.781	17.293	.000
128	.01	.09	.01	.01	.17	.17	.00	12.935	17.448	.000
129	.01	.09	.01	.01	.17	.17	.00	13.090	17.602	.000
130	.01	.09	.01	.01	.17	.17	.00	13.244	17.757	.000
131	.01	.09	.01	.01	.17	.17	.00	13.399	17.911	.000
132	.01	.09	.01	.01	.17	.17	.00	13.553	18.066	.000
133	.01	.09	.01	.01	.17	.17	.00	13.708	18.220	.000
134	.01	.09	.01	.01	.17	.17	.00	13.862	18.375	.000
135	.01	.09	.01	.01	.17	.17	.00	14.017	18.529	.000
136	.01	.09	.01	.01	.17	.17	.00	14.171	18.684	.000
137	.01									

TABLE 7 -
FLOOR FORCE AND MOMENT LOADS - MAIN PLACE HOTEL -- CONF. B -- DALLAS , TEXAS

DATA FOR WIND DIR. 75 REF. PRESS. -26.5 PSF GUST FACTOR= 1.320 REF. AREA- 2000.00 SQ FT REF. LENGTH- 200.00 FT

FLOOR	CFX	CFY	FORCE(X) (KIPS)	FORCE(Y) (KIPS)	CMX	CMY	CMZ	MOM(X)	MOM(Y) (1000-FT-KIPS)	MOM(Z)
1	-	.18	-16.9	16.8	-	-.01	-.03	-138	-138	-593
2	-	.18	-14.9	16.8	-	-.02	-.02	-406	-367	-340
3	-	.10	-9.9	10.0	-	-.02	-.00	-393	-366	-086
4	-	.10	-9.9	9.9	-	-.03	-.00	-468	-483	-030
5	-	.09	-10.2	10.2	-	-.03	-.00	-505	-615	-044
6	-	.10	-10.7	9.8	-	-.04	-.00	-638	-766	-049
7	-	.10	-10.7	9.8	-	-.05	-.00	-801	-883	-076
8	-	.11	-11.0	10.5	-	-.06	-.00	-978	-1026	-070
9	-	.11	-11.1	10.5	-	-.06	-.00	-1087	-1095	-023
10	-	.11	-11.1	10.0	-	-.11	-.01	-1551	-1366	-154
11	-	.13	-17.6	13.9	-	-.12	-.01	-1754	-2219	-181
12	-	.14	-18.1	14.4	-	-.13	-.01	-1967	-2483	-208
13	-	.14	-18.6	14.4	-	-.15	-.01	-2189	-2758	-235
14	-	.15	-19.6	15.1	-	-.16	-.01	-2421	-3044	-262
15	-	.16	-20.0	16.6	-	-.18	-.00	-2663	-3342	-289
16	-	.16	-20.0	16.6	-	-.20	-.00	-2914	-3651	-315
17	-	.17	-21.1	17.7	-	-.22	-.02	-3175	-3976	-343
18	-	.17	-21.1	16.6	-	-.23	-.02	-3445	-4305	-379
19	-	.17	-21.1	16.6	-	-.25	-.02	-3724	-4645	-415
20	-	.17	-21.1	16.6	-	-.27	-.00	-4013	-4986	-452
21	-	.18	-22.2	18.0	-	-.31	-.00	-4312	-5331	-488
22	-	.19	-23.3	19.3	-	-.33	-.03	-4620	-5681	-524
23	-	.19	-23.3	19.3	-	-.35	-.03	-4938	-6031	-560
24	-	.19	-24.4	19.3	-	-.37	-.03	-5252	-6381	-597
25	-	.19	-24.4	19.3	-	-.39	-.03	-5566	-6731	-633
26	-	.19	-24.4	19.3	-	-.42	-.03	-5880	-7081	-669
27	-	.19	-24.4	19.3	-	-.44	-.03	-6194	-7431	-705
28	-	.19	-24.4	19.3	-	-.46	-.03	-6508	-7781	-741
29	-	.19	-24.4	19.3	-	-.47	-.03	-6822	-8131	-777
30	-	.19	-24.4	19.3	-	-.49	-.02	-7136	-8481	-813
31	-	.19	-24.4	19.3	-	-.50	-.02	-7450	-8831	-849
32	-	.19	-24.4	19.3	-	-.50	-.02	-7764	-9181	-885
33	-	.19	-24.4	19.3	-	-.50	-.02	-8078	-9531	-921
34	-	.19	-24.4	19.3	-	-.50	-.02	-8392	-9881	-957
35	-	.19	-24.4	19.3	-	-.50	-.02	-8706	-10231	-993
36	-	.19	-24.4	19.3	-	-.50	-.02	-9020	-10581	-1029
37	-	.19	-24.4	19.3	-	-.50	-.02	-9334	-10931	-1065
38	-	.19	-24.4	19.3	-	-.50	-.02	-9648	-11281	-1101
39	-	.19	-24.4	19.3	-	-.50	-.02	-9962	-11631	-1137
40	-	.19	-24.4	19.3	-	-.50	-.02	-10276	-11981	-1173
41	-	.19	-24.4	19.3	-	-.50	-.02	-10590	-12331	-1209
42	-	.19	-24.4	19.3	-	-.50	-.02	-10904	-12681	-1245
43	-	.19	-24.4	19.3	-	-.50	-.02	-11218	-13031	-1281
44	-	.19	-24.4	19.3	-	-.50	-.02	-11532	-13381	-1317
45	-	.19	-24.4	19.3	-	-.50	-.02	-11846	-13731	-1353
46	-	.19	-24.4	19.3	-	-.50	-.02	-12160	-14081	-1389
47	-	.19	-24.4	19.3	-	-.50	-.02	-12474	-14431	-1425
48	-	.19	-24.4	19.3	-	-.50	-.02	-12788	-14781	-1461
49	-	.19	-24.4	19.3	-	-.50	-.02	-13102	-15131	-1497
50	-	.19	-24.4	19.3	-	-.50	-.02	-13416	-15481	-1533

TABLE 7 -
FLOOR FORCE AND MOMENT LOADS - MAIN PLACE HOTEL -- CONF. B -- DALLAS , TEXAS

DATA FOR WIND DIR. 90 REF. PRESS. -26.5 PSF GUST FACTOR= 1.320 REF. AREA- 2000 SQ FT REF. LENGTH- 200 FT

FLOOR	CFX	CFY	FORCE(X) (KIPS)	FORCE(Y) (KIPS)	CMX	CMY	CMZ	MOM(X)	MOM(Y) (1000-FT-KIPS)	MOM(Z)
1	1	1	24	0	0	0	0	19	1	1
2	1	1	25	0	0	0	0	19	1	1
3	1	1	16	0	0	0	0	19	1	1
4	1	1	15	0	0	0	0	19	1	1
5	1	1	15	0	0	0	0	19	1	1
6	1	1	14	0	0	0	0	19	1	1
7	1	1	15	0	0	0	0	19	1	1
8	1	1	16	0	0	0	0	19	1	1
9	1	1	18	0	0	0	0	19	1	1
10	1	1	17	0	0	0	0	19	1	1
11	1	1	23	0	0	0	0	19	1	1
12	1	1	23	0	0	0	0	19	1	1
13	1	1	24	0	0	0	0	19	1	1
14	1	1	22	0	0	0	0	19	1	1
15	1	1	22	0	0	0	0	19	1	1
16	1	1	27	0	0	0	0	19	1	1
17	1	1	27	0	0	0	0	19	1	1
18	1	1	27	0	0	0	0	19	1	1
19	1	1	27	0	0	0	0	19	1	1
20	1	1	27	0	0	0	0	19	1	1
21	1	1	27	0	0	0	0	19	1	1
22	1	1	27	0	0	0	0	19	1	1
23	1	1	27	0	0	0	0	19	1	1
24	1	1	27	0	0	0	0	19	1	1
25	1	1	27	0	0	0	0	19	1	1
26	1	1	27	0	0	0	0	19	1	1
27	1	1	27	0	0	0	0	19	1	1
28	1	1	27	0	0	0	0	19	1	1
29	1	1	27	0	0	0	0	19	1	1
30	1	1	27	0	0	0	0	19	1	1
31	1	1	27	0	0	0	0	19	1	1
32	1	1	27	0	0	0	0	19	1	1
33	1	1	27	0	0	0	0	19	1	1
34	1	1	27	0	0	0	0	19	1	1
35	1	1	27	0	0	0	0	19	1	1
36	1	1	27	0	0	0	0	19	1	1
37	1	1	27	0	0	0	0	19	1	1
38	1	1	27	0	0	0	0	19	1	1
39	1	1	27	0	0	0	0	19	1	1
40	1	1	27	0	0	0	0	19	1	1
41	1	1	27	0	0	0	0	19	1	1
42	1	1	27	0	0	0	0	19	1	1
43	1	1	27	0	0	0	0	19	1	1
44	1	1	27	0	0	0	0	19	1	1
45	1	1	27	0	0	0	0	19	1	1
46	1	1	27	0	0	0	0	19	1	1
47	1	1	27	0	0	0	0	19	1	1
48	1	1	27	0	0	0	0	19	1	1
49	1	1	27	0	0	0	0	19	1	1
50	1	1	27	0	0	0	0	19	1	1
51	1	1	27	0	0	0	0	19	1	1
52	1	1	27	0	0	0	0	19	1	1
53	1	1	27	0	0	0	0	19	1	1
54	1	1	27	0	0	0	0	19	1	1
55	1	1	27	0	0	0	0	19	1	1
56	1	1	27	0	0	0	0	19	1	1
57	1	1	27	0	0	0	0	19	1	1
58	1	1	27	0	0	0	0	19	1	1
59	1	1	27	0	0	0	0	19	1	1
60	1	1	27	0	0	0	0	19	1	1
61	1	1	27	0	0	0	0	19	1	1
62	1	1	27	0	0	0	0	19	1	1
63	1	1	27	0	0	0	0	19	1	1
64	1	1	27	0	0	0	0	19	1	1
65	1	1	27	0	0	0	0	19	1	1
66	1	1	27	0	0	0	0	19	1	1
67	1	1	27	0	0	0	0	19	1	1
68	1	1	27	0	0	0	0	19	1	1
69	1	1	27	0	0	0	0	19	1	1
70	1	1	27	0	0	0	0	19	1	1
71	1	1	27	0	0	0	0	19	1	1
72	1	1	27	0	0	0	0	19	1	1
73	1	1	27	0	0	0	0	19	1	1
74	1	1	27	0	0	0	0	19	1	1
75	1	1	27	0	0	0	0	19	1	1
76	1	1	27	0	0	0	0	19	1	1
77	1	1	27	0	0	0	0	19	1	1
78	1	1	27	0	0	0	0	19	1	1
79	1	1	27	0	0	0	0	19	1	1
80	1	1	27	0	0	0	0	19	1	1
81	1	1	27	0	0	0	0	19	1	1
82	1	1	27	0	0	0	0	19	1	1
83	1	1	27	0	0	0	0	19	1	1
84	1	1	27	0	0	0	0	19	1	1
85	1	1	27	0	0	0	0	19	1	1
86	1	1	27	0	0	0	0	19	1	1
87	1	1	27	0	0	0	0	19	1	1
88	1	1	27	0	0	0	0	19	1	1
89	1	1	27	0	0	0	0	19	1	1
90	1	1	27	0	0	0	0	19	1	1

TABLE 7 -
 FLOOR FORCE AND MOMENT LOADS - MAIN PLACE HOTEL -- CONF. B -- DALLAS , TEXAS
 DATA FOR WIND DIR. 105 REF. PRESS.-26.5 PSF GUST FACTOR= 1.320 REF. AREA- 2000. SQ FT REF. LENGTH- 200. FT

FLOOR	CFX	CFY	FORCE(X) (KIPS)	FORCE(Y) (KIPS)	CMX	CMY	CMZ	MOM(X)	MOM(Y) (1000-FT-KIPS)	MOM(Z)
1		.37		34	.02		.03		.297	.528
2		.43		39	.05		.04		.972	.742
3		.43		25	.07		.05		.966	.737
4		.28		24	.08		.06		1.172	.903
5		.28		25	.10		.06		1.465	1.063
6		.28		27	.12		.06		1.815	1.137
7		.28		27	.14		.07		2.286	1.198
8		.28		33	.16		.07		2.618	1.248
9		.28		33	.20		.04		3.064	1.210
10		.44		33	.21		.04		3.331	.797
11		.44		33	.23		.05		3.622	.821
12		.44		33	.24		.05		3.866	.845
13		.44		33	.24		.05		4.094	.869
14		.44		33	.26		.05		4.301	.893
15		.44		33	.27		.05		4.449	.917
16		.44		33	.27		.05		4.600	.941
17		.44		33	.27		.06		4.754	.963
18		.44		33	.27		.06		4.911	.984
19		.44		33	.27		.06		5.071	1.002
20		.44		33	.27		.06		5.233	1.024
21		.44		33	.27		.06		5.400	1.045
22		.44		33	.27		.06		5.571	1.067
23		.44		33	.27		.06		5.747	1.088
24		.44		33	.27		.06		5.928	1.109
25		.44		33	.27		.06		6.113	1.130
26		.44		33	.27		.06		6.302	1.151
27		.44		33	.27		.06		6.495	1.171
28		.44		33	.27		.06		6.692	1.191
29		.44		33	.27		.06		6.893	1.211
30		.44		33	.27		.06		7.098	1.231
31		.44		33	.27		.06		7.307	1.251
32		.44		33	.27		.06		7.520	1.271
33		.44		33	.27		.06		7.737	1.291
34		.44		33	.27		.06		7.958	1.311
35		.44		33	.27		.06		8.183	1.331
36		.44		33	.27		.06		8.412	1.351
37		.44		33	.27		.06		8.645	1.371
38		.44		33	.27		.06		8.882	1.391
39		.44		33	.27		.06		9.123	1.411
40		.44		33	.27		.06		9.368	1.431
41		.44		33	.27		.06		9.617	1.451
42		.44		33	.27		.06		9.870	1.471
43		.44		33	.27		.06		10.127	1.491
44		.44		33	.27		.06		10.388	1.511
45		.44		33	.27		.06		10.653	1.531
46		.44		33	.27		.06		10.922	1.551
47		.44		33	.27		.06		11.195	1.571
48		.44		33	.27		.06		11.472	1.591
49		.44		33	.27		.06		11.753	1.611
50		.44		33	.27		.06		12.038	1.631
51		.44		33	.27		.06		12.327	1.651
52		.44		33	.27		.06		12.620	1.671
53		.44		33	.27		.06		12.917	1.691
54		.44		33	.27		.06		13.218	1.711
55		.44		33	.27		.06		13.523	1.731
56		.44		33	.27		.06		13.832	1.751
57		.44		33	.27		.06		14.145	1.771
58		.44		33	.27		.06		14.462	1.791
59		.44		33	.27		.06		14.783	1.811
60		.44		33	.27		.06		15.108	1.831
61		.44		33	.27		.06		15.437	1.851
62		.44		33	.27		.06		15.770	1.871
63		.44		33	.27		.06		16.107	1.891
64		.44		33	.27		.06		16.448	1.911
65		.44		33	.27		.06		16.793	1.931
66		.44		33	.27		.06		17.142	1.951
67		.44		33	.27		.06		17.495	1.971
68		.44		33	.27		.06		17.852	1.991
69		.44		33	.27		.06		18.213	2.011
70		.44		33	.27		.06		18.578	2.031
71		.44		33	.27		.06		18.947	2.051
72		.44		33	.27		.06		19.320	2.071
73		.44		33	.27		.06		19.697	2.091
74		.44		33	.27		.06		20.078	2.111
75		.44		33	.27		.06		20.463	2.131
76		.44		33	.27		.06		20.852	2.151
77		.44		33	.27		.06		21.245	2.171
78		.44		33	.27		.06		21.642	2.191
79		.44		33	.27		.06		22.043	2.211
80		.44		33	.27		.06		22.448	2.231
81		.44		33	.27		.06		22.857	2.251
82		.44		33	.27		.06		23.270	2.271
83		.44		33	.27		.06		23.687	2.291
84		.44		33	.27		.06		24.108	2.311
85		.44		33	.27		.06		24.533	2.331
86		.44		33	.27		.06		24.962	2.351
87		.44		33	.27		.06		25.395	2.371
88		.44		33	.27		.06		25.832	2.391
89		.44		33	.27		.06		26.273	2.411
90		.44		33	.27		.06		26.718	2.431
91		.44		33	.27		.06		27.167	2.451
92		.44		33	.27		.06		27.620	2.471
93		.44		33	.27		.06		28.077	2.491
94		.44		33	.27		.06		28.538	2.511
95		.44		33	.27		.06		29.003	2.531
96		.44		33	.27		.06		29.472	2.551
97		.44		33	.27		.06		29.945	2.571
98		.44		33	.27		.06		30.422	2.591
99		.44		33	.27		.06		30.903	2.611
100		.44		33	.27		.06		31.388	2.631
101		.44		33	.27		.06		31.877	2.651
102		.44		33	.27		.06		32.370	2.671
103		.44		33	.27		.06		32.867	2.691
104		.44		33	.27		.06		33.368	2.711
105		.44		33	.27		.06		33.873	2.731
106		.44		33	.27		.06		34.382	2.751
107		.44		33	.27		.06		34.895	2.771
108		.44		33	.27		.06		35.412	2.791
109		.44		33	.27		.06		35.933	2.811
110		.44		33	.27		.06		36.458	2.831
111		.44		33	.27		.06		36.987	2.851
112		.44		33	.27		.06		37.520	2.871
113		.44		33	.27		.06		38.057	2.891
114		.44		33	.27		.06		38.600	2.911
115		.44		33	.27		.06		39.147	2.931
116		.44		33	.27		.06		39.699	2.951
117		.44		33	.27		.06		40.256	2.971
118		.44		33	.27		.06		40.818	2.991
119		.44		33	.27		.06		41.385	3.011
120		.44		33	.27		.06		41.957	3.031
121		.44		33	.27		.06		42.534	3.051
122		.44		33	.27		.06		43.116	3.071
123		.44		33	.27		.06		43.703	3.091
124		.44		33	.27		.06		44.295	3.111
125		.44		33	.27		.06		44.892	3.131
126		.44		33	.27		.06		45.495	3.151
127		.44		33	.27		.06		46.103	3.171
128		.44		33	.27		.06		46.716	3.191
129		.44		33	.27		.06		47.334	3.211
130		.44		33	.27		.06		47.957	3.231
131		.44		33	.27		.06		48.585	3.251
132		.44		33	.27		.06		49.218	3.271
133		.44		33	.27		.06		49.856	3.291
134		.44		33	.27		.06		50.500	3.311
135		.44		33	.27		.06		51.149	3.331
136		.44		33	.27		.06		51.804	3.351
137		.44		33	.27		.06		52.465	3.371
138		.44		33	.27		.06		53.132	3.391
139		.44		33	.27		.06		53.805	3.411
140		.44		33	.27		.06		54.484	3.431
141		.44		33	.27		.06		55.169	3.451
142		.44		33	.27		.06		55.860	3.471
143		.44		33	.27		.06		56.557	3.491
144		.44		33	.27		.06		57.260	3.511
145		.44		33	.27		.06		57.969	3.531
146		.44		33	.27		.06		58.684	3.551
147		.44		33	.27		.06		59.405	3.571
148		.44		33	.27		.06		60.132	3.591
149		.44		33	.27		.06		60.865	3.611
150		.44		33	.27		.06		61.604	3.631
151		.44		33	.27		.06		62.349	3.651
152		.44		33	.27		.06		63.099	3.671
153		.44		33	.27		.06		63.855	3.691
154		.44		33	.27		.06		64.617	3.711
155		.44		33	.27		.06		65.385	3.731
156		.44		33	.27		.06		66.159	3.751
157		.44		33	.27		.06		66.939	3.771
158		.44		33						

TABLE 7 -
 FLOOR FORCE AND MOMENT LOADS - MAIN PLACE HOTEL -- CONF. B -- DALLAS , TEXAS

DATA FOR WIND DIR. 120 REF. PRESS. -26.5 PSF GUST FACTOR= 1.320 REF. AREA- 2000. SQ FT REF. LENGTH- 200. FT

FLOOR	CFX	CFY	FORCE(X) (KIPS)	FORCE(Y) (KIPS)	CMX	CMY	CMZ	MOM(X)	MOM(Y) (1000-FT-KIPS)	MOM(Z)
1										
2										
3										
4										
5										
6										
7										
8										
9										
10										
11										
12										
13										
14										
15										
16										
17										
18										
19										
20										
21										
22										
23										
24										
25										
26										
27										
28										
29										
30										
31										
32										
33										
34										
35										
36										
37										
38										
39										
40										
41										
42										
43										
44										
45										
46										
47										
48										
49										
50										
51										
52										
53										
54										
55										
56										
57										
58										
59										
60										
61										
62										
63										
64										
65										
66										
67										
68										
69										
70										
71										
72										
73										
74										
75										
76										
77										
78										
79										
80										
81										
82										
83										
84										
85										
86										
87										
88										
89										
90										
91										
92										
93										
94										
95										
96										
97										
98										
99										
100										

TABLE 7 -
FLOOR FORCE AND MOMENT LOADS - MAIN PLACE HOTEL -- CONF. B -- DALLAS , TEXAS

DATA FOR WIND DIR. 135 REF. PRESS. -26.5 PSF GUST FACTOR= 1.320 REF. AREA- 2000.00 FT REF. LENGTH- 200.00 FT

FLOOR	CFX	CFY	FORCE(X) (KIPS)	FORCE(Y) (KIPS)	CMX	CMY	CMZ	MOM(X)	MOM(Y) (1000-FT-KIPS)	MOM(Z)
1	46	53	42.4	48.6	02	02	02	399	348	396
2	45	54	41.1	49.9	07	06	02	229	200	346
3	33	35	28.8	32.2	07	06	00	239	204	063
4	11	34	11.1	11.4	08	08	01	547	407	104
5	33	34	31.9	33.1	10	10	02	870	752	297
6	33	36	33.1	33.4	13	12	03	393	238	590
7	33	40	33.1	33.4	16	15	05	029	788	910
8	33	42	33.1	33.4	20	18	06	633	331	168
9	33	40	33.1	33.4	21	19	07	861	333	249
10	44	46	42.2	44.4	26	22	08	851	433	420
11	44	46	42.2	44.4	29	22	08	866	320	432
12	44	47	43.3	43.9	32	31	08	417	742	444
13	44	47	43.3	43.9	38	33	08	956	556	457
14	44	48	44.4	44.4	41	41	08	504	555	469
15	44	48	44.4	44.4	44	44	08	061	666	481
16	44	48	44.4	44.4	44	44	07	069	666	494
17	44	48	44.4	44.4	44	44	07	331	666	479
18	44	46	44.4	44.4	44	44	06	671	666	329
19	44	46	44.4	44.4	44	44	05	999	666	179
20	44	45	44.4	44.4	44	44	05	312	666	030
21	44	44	44.4	44.4	44	44	04	312	666	880
22	44	44	44.4	44.4	44	44	03	613	444	731
23	44	44	44.4	44.4	44	44	02	962	444	581
24	44	45	44.4	44.4	44	44	02	548	444	436
25	44	44	44.4	44.4	44	44	01	144	444	327
26	44	44	44.4	44.4	44	44	01	752	444	218
27	44	44	44.4	44.4	44	44	00	333	444	110
28	44	44	44.4	44.4	44	44	00	333	444	001
29	44	47	44.4	44.4	44	44	01	635	444	081
30	44	48	44.4	44.4	44	44	01	300	444	107
31	44	48	44.4	44.4	44	44	01	300	444	132
32	44	48	44.4	44.4	44	44	01	977	444	158
33	44	49	44.4	44.4	44	44	01	665	444	184
34	44	50	44.4	44.4	44	44	01	365	444	210
35	44	50	44.4	44.4	44	44	01	077	444	236
36	44	51	44.4	44.4	44	44	01	919	444	271
37	44	51	44.4	44.4	44	44	01	567	444	268
38	44	57	44.4	44.4	44	44	01	225	444	102
39	44	80	44.4	44.4	44	44	00	333	444	005

TABLE 7 -
FLOOR FORCE AND MOMENT LOADS - MAIN PLACE HOTEL -- CONF. B -- DALLAS , TEXAS

DATA FOR WIND DIR. 150 REF. PRESS. -26.5 PSF GUST FACTOR= 1.320 REF. AREA- 2000.50 FT REF. LENGTH- 200. FT

FLOOR	CFX	CFY	FORCE(X) (KIPS)	FORCE(Y) (KIPS)	CMX	CMY	CMZ	MOM(X)	MOM(Y) (1000-FT-KIPS)	MOM(Z)
1	1	1	1	1	1	1	1	1	1	1
2	1	1	1	1	1	1	1	1	1	1
3	1	1	1	1	1	1	1	1	1	1
4	1	1	1	1	1	1	1	1	1	1
5	1	1	1	1	1	1	1	1	1	1
6	1	1	1	1	1	1	1	1	1	1
7	1	1	1	1	1	1	1	1	1	1
8	1	1	1	1	1	1	1	1	1	1
9	1	1	1	1	1	1	1	1	1	1
10	1	1	1	1	1	1	1	1	1	1
11	1	1	1	1	1	1	1	1	1	1
12	1	1	1	1	1	1	1	1	1	1
13	1	1	1	1	1	1	1	1	1	1
14	1	1	1	1	1	1	1	1	1	1
15	1	1	1	1	1	1	1	1	1	1
16	1	1	1	1	1	1	1	1	1	1
17	1	1	1	1	1	1	1	1	1	1
18	1	1	1	1	1	1	1	1	1	1
19	1	1	1	1	1	1	1	1	1	1
20	1	1	1	1	1	1	1	1	1	1
21	1	1	1	1	1	1	1	1	1	1
22	1	1	1	1	1	1	1	1	1	1
23	1	1	1	1	1	1	1	1	1	1
24	1	1	1	1	1	1	1	1	1	1
25	1	1	1	1	1	1	1	1	1	1
26	1	1	1	1	1	1	1	1	1	1
27	1	1	1	1	1	1	1	1	1	1
28	1	1	1	1	1	1	1	1	1	1
29	1	1	1	1	1	1	1	1	1	1
30	1	1	1	1	1	1	1	1	1	1
31	1	1	1	1	1	1	1	1	1	1
32	1	1	1	1	1	1	1	1	1	1
33	1	1	1	1	1	1	1	1	1	1
34	1	1	1	1	1	1	1	1	1	1
35	1	1	1	1	1	1	1	1	1	1
36	1	1	1	1	1	1	1	1	1	1
37	1	1	1	1	1	1	1	1	1	1
38	1	1	1	1	1	1	1	1	1	1
39	1	1	1	1	1	1	1	1	1	1

TABLE 7 -
FLOOR FORCE AND MOMENT LOADS - MAIN PLACE HOTEL -- CONF. B -- DALLAS , TEXAS

DATA FOR WIND DIR. 165 REF. PRESS. -26.5 PSF GUST FACTOR= 1.320 REF. AREA- 2000.00 FT REF. LENGTH- 200.0 FT

FLOOR	CFX	CFY	FORCE(X) (KIPS)	FORCE(Y) (KIPS)	CMX	CMY	CMZ	MOM(X)	MOM(Y) (1000-FT-KIPS)	MOM(Z)
1		.54	-40.4	50.3	-.02	-.02	-.01	413	-.331	-.125
2		.45	-40.0	41.0	-.05	-.05	-.04	928	-.983	-.660
3		.26	-23.1	23.7	-.05	-.05	-.04	908	-.999	-.702
4		.22	-22.6	20.1	-.05	-.05	-.05	991	-1.215	-.885
5		.18	-16.4	16.7	-.05	-.05	-.06	805	-1.409	1.023
6		.19	-17.0	17.5	-.07	-.09	-.06	844	-1.640	1.021
7		.20	-18.0	18.1	-.08	-.10	-.05	828	-1.880	1.015
8		.21	-19.0	19.5	-.10	-.12	-.06	818	-2.169	1.047
9		.22	-19.0	19.5	-.11	-.13	-.06	818	-2.419	1.128
10		.23	-20.0	20.0	-.11	-.14	-.06	818	-2.703	1.228
11		.24	-21.0	21.0	-.11	-.15	-.06	818	-3.034	1.473
12		.25	-22.0	22.0	-.11	-.16	-.06	818	-3.419	1.844
13		.26	-23.0	23.0	-.11	-.17	-.06	818	-3.856	2.371
14		.27	-24.0	24.0	-.11	-.18	-.06	818	-4.356	3.086
15		.28	-25.0	25.0	-.11	-.19	-.06	818	-4.919	3.986
16		.29	-26.0	26.0	-.11	-.20	-.06	818	-5.544	5.086
17		.30	-27.0	27.0	-.11	-.21	-.06	818	-6.239	6.486
18		.30	-27.0	27.0	-.11	-.22	-.06	818	-6.999	8.186
19		.30	-27.0	27.0	-.11	-.23	-.06	818	-7.824	10.186
20		.30	-27.0	27.0	-.11	-.24	-.06	818	-8.719	12.486
21		.30	-27.0	27.0	-.11	-.25	-.06	818	-9.684	15.086
22		.30	-27.0	27.0	-.11	-.26	-.06	818	-10.719	17.986
23		.30	-27.0	27.0	-.11	-.27	-.06	818	-11.824	21.186
24		.30	-27.0	27.0	-.11	-.28	-.06	818	-13.004	25.686
25		.30	-27.0	27.0	-.11	-.29	-.06	818	-14.259	31.486
26		.30	-27.0	27.0	-.11	-.30	-.06	818	-15.584	38.586
27		.30	-27.0	27.0	-.11	-.31	-.06	818	-16.984	47.086
28		.30	-27.0	27.0	-.11	-.32	-.06	818	-18.459	57.086
29		.30	-27.0	27.0	-.11	-.33	-.06	818	-20.004	68.586
30		.30	-27.0	27.0	-.11	-.34	-.06	818	-21.619	81.586
31		.30	-27.0	27.0	-.11	-.35	-.06	818	-23.304	97.086
32		.30	-27.0	27.0	-.11	-.36	-.06	818	-25.059	115.086
33		.30	-27.0	27.0	-.11	-.37	-.06	818	-26.884	135.586
34		.30	-27.0	27.0	-.11	-.38	-.06	818	-28.779	158.686
35		.30	-27.0	27.0	-.11	-.39	-.06	818	-30.744	184.386
36		.30	-27.0	27.0	-.11	-.40	-.06	818	-32.779	212.686
37		.30	-27.0	27.0	-.11	-.41	-.06	818	-34.884	243.586
38		.30	-27.0	27.0	-.11	-.42	-.06	818	-37.059	277.086
39		.30	-27.0	27.0	-.11	-.43	-.06	818	-39.304	313.186
40		.30	-27.0	27.0	-.11	-.44	-.06	818	-41.619	351.886
41		.30	-27.0	27.0	-.11	-.45	-.06	818	-44.004	393.186
42		.30	-27.0	27.0	-.11	-.46	-.06	818	-46.459	437.086
43		.30	-27.0	27.0	-.11	-.47	-.06	818	-48.984	483.586
44		.30	-27.0	27.0	-.11	-.48	-.06	818	-51.584	532.686
45		.30	-27.0	27.0	-.11	-.49	-.06	818	-54.259	584.386
46		.30	-27.0	27.0	-.11	-.50	-.06	818	-56.999	638.686
47		.30	-27.0	27.0	-.11	-.51	-.06	818	-59.804	695.586
48		.30	-27.0	27.0	-.11	-.52	-.06	818	-62.679	755.086
49		.30	-27.0	27.0	-.11	-.53	-.06	818	-65.624	817.186
50		.30	-27.0	27.0	-.11	-.54	-.06	818	-68.639	881.886
51		.30	-27.0	27.0	-.11	-.55	-.06	818	-71.724	949.186
52		.30	-27.0	27.0	-.11	-.56	-.06	818	-74.879	1019.086
53		.30	-27.0	27.0	-.11	-.57	-.06	818	-78.104	1091.586
54		.30	-27.0	27.0	-.11	-.58	-.06	818	-81.499	1166.686
55		.30	-27.0	27.0	-.11	-.59	-.06	818	-85.064	1244.386
56		.30	-27.0	27.0	-.11	-.60	-.06	818	-88.799	1324.686
57		.30	-27.0	27.0	-.11	-.61	-.06	818	-92.604	1407.586
58		.30	-27.0	27.0	-.11	-.62	-.06	818	-96.479	1493.086
59		.30	-27.0	27.0	-.11	-.63	-.06	818	-100.424	1581.186
60		.30	-27.0	27.0	-.11	-.64	-.06	818	-104.439	1671.886
61		.30	-27.0	27.0	-.11	-.65	-.06	818	-108.524	1765.186
62		.30	-27.0	27.0	-.11	-.66	-.06	818	-112.679	1861.086
63		.30	-27.0	27.0	-.11	-.67	-.06	818	-116.904	1959.586
64		.30	-27.0	27.0	-.11	-.68	-.06	818	-121.199	2060.686
65		.30	-27.0	27.0	-.11	-.69	-.06	818	-125.564	2164.386
66		.30	-27.0	27.0	-.11	-.70	-.06	818	-129.999	2270.686
67		.30	-27.0	27.0	-.11	-.71	-.06	818	-134.504	2379.586
68		.30	-27.0	27.0	-.11	-.72	-.06	818	-139.079	2491.086
69		.30	-27.0	27.0	-.11	-.73	-.06	818	-143.724	2605.186
70		.30	-27.0	27.0	-.11	-.74	-.06	818	-148.439	2721.886
71		.30	-27.0	27.0	-.11	-.75	-.06	818	-153.224	2841.186
72		.30	-27.0	27.0	-.11	-.76	-.06	818	-158.079	2963.086
73		.30	-27.0	27.0	-.11	-.77	-.06	818	-162.999	3087.586
74		.30	-27.0	27.0	-.11	-.78	-.06	818	-167.984	3214.686
75		.30	-27.0	27.0	-.11	-.79	-.06	818	-173.034	3344.386
76		.30	-27.0	27.0	-.11	-.80	-.06	818	-178.149	3476.686
77		.30	-27.0	27.0	-.11	-.81	-.06	818	-183.329	3611.586
78		.30	-27.0	27.0	-.11	-.82	-.06	818	-188.574	3749.086
79		.30	-27.0	27.0	-.11	-.83	-.06	818	-193.884	3889.186
80		.30	-27.0	27.0	-.11	-.84	-.06	818	-199.259	4031.886
81		.30	-27.0	27.0	-.11	-.85	-.06	818	-204.699	4177.186
82		.30	-27.0	27.0	-.11	-.86	-.06	818	-210.204	4325.086
83		.30	-27.0	27.0	-.11	-.87	-.06	818	-215.774	4475.586
84		.30	-27.0	27.0	-.11	-.88	-.06	818	-221.409	4628.686
85		.30	-27.0	27.0	-.11	-.89	-.06	818	-227.109	4784.386
86		.30	-27.0	27.0	-.11	-.90	-.06	818	-232.874	4942.686
87		.30	-27.0	27.0	-.11	-.91	-.06	818	-238.704	5103.586
88		.30	-27.0	27.0	-.11	-.92	-.06	818	-244.599	5267.086
89		.30	-27.0	27.0	-.11	-.93	-.06	818	-250.559	5433.186
90		.30	-27.0	27.0	-.11	-.94	-.06	818	-256.584	5601.886
91		.30	-27.0	27.0	-.11	-.95	-.06	818	-262.674	5773.186
92		.30	-27.0	27.0	-.11	-.96	-.06	818	-268.829	5947.086
93		.30	-27.0	27.0	-.11	-.97	-.06	818	-275.049	6123.586
94		.30	-27.0	27.0	-.11	-.98	-.06	818	-281.334	6302.686
95		.30	-27.0	27.0	-.11	-.99	-.06	818	-287.684	6484.386
96		.30	-27.0	27.0	-.11	-1.00	-.06	818	-294.099	6668.686
97		.30	-27.0	27.0	-.11	-1.01	-.06	818	-300.579	6855.586
98		.30	-27.0	27.0	-.11	-1.02	-.06	818	-307.124	7045.086
99		.30	-27.0	27.0	-.11	-1.03	-.06	818	-313.734	7237.186
100		.30	-27.0	27.0	-.11	-1.04	-.06	818	-320.409	7431.886
101		.30	-27.0	27.0	-.11	-1.05	-.06	818	-327.149	7629.186
102		.30	-27.0	27.0	-.11	-1.06	-.06	818	-333.954	7829.086
103		.30	-27.0	27.0	-.11	-1.07	-.06	818	-340.824	8031.586
104		.30	-27.0	27.0	-.11	-1.08	-.06	818	-347.759	8236.686
105		.30	-27.0	27.0	-.11	-1.09	-.06	818	-354.759	8444.386
106		.30	-27.0	27.0	-.11	-1.10	-.06	818	-361.824	8654.686
107		.30	-27.0	27.0	-.11	-1.11	-.06	818	-368.954	8867.586
108		.30	-27.0	27.0	-.11	-1.12	-.06	818	-376.149	9083.086
109		.30	-27.0	27.0	-.11	-1.13	-.06	818	-383.409	9301.186
110		.30	-27.0	27.0	-.11	-1.14	-.06	818	-390.734	9521.886
111		.30	-27.0	27.0	-.11	-1.15	-.06	818	-398.124	9745.186
112		.30	-27.0	27.0	-.11	-1.16	-.06	818	-405.579	9971.086
113		.30	-27.0	27.0	-.11	-1.17	-.06	818	-413.099	10209.586
114		.30	-27.0	27.0	-.11	-1.18	-.06	818	-420.684	10450.686
115		.30	-27.0	27.0	-.11	-1.19	-.06	818	-428.334	10694.386
116		.30	-27.0	27.0	-.11	-1.20	-.06	818	-436.049	10940.686
117		.30	-27.0	27.0	-.11	-1.21	-.06	818	-443.829	11189.586
118		.30	-27.0	27.0	-.11	-1.22	-.06	818	-451.674	11441.086
119		.30	-27.0	27.0	-.11	-1.23	-.06	818	-459.584	11695.186
120		.30	-27.0	27.0	-.11	-1.24	-.06	818	-467.559	11951.886
121		.30	-27.0	27.0	-.11	-1.25	-.06	818	-475.599	12211.186
122		.30	-27.0	27.0	-.11	-1.26	-.06	818	-483.704	12473.086
123		.30	-27.0	27.0	-.11	-1.27	-.06	818	-491.874	12737.586
124		.30	-27.0	27.0	-.11	-1.28	-.06	818	-500.109	13004.686
125		.30	-27.0	27.0						

TABLE 7 -
FLOOR FORCE AND MOMENT LOADS - MAIN PLACE HOTEL -- CONF. B -- DALLAS , TEXAS

DATA FOR WIND DIR. 180 REF. PRESS. -26.5 PSF GUST FACTOR= 1.320 REF. AREA- 2000 SQ FT REF. LENGTH- 200.FT

FLOOR	CFX	CFY	FORCE(X) (KIPS)	FORCE(Y) (KIPS)	CHX	CHY	CHZ	MOM(X)	MOM(Y) (1000-FT-KIPS)	MOM(Z)
1	1	64	34.9	59.4	03	02	13	487	286	2
2	1	50	34.0	48.9	07	05	04	203	836	45
3	1	33	34.0	48.9	06	05	01	105	933	728
4	1	10	44.4	22.0	00	06	01	294	193	141
5	1	10	44.4	22.0	00	06	02	414	454	143
6	1	10	44.4	22.0	00	06	04	668	814	443
7	1	10	44.4	22.0	00	06	08	1035	247	772
8	1	10	44.4	22.0	00	06	12	1535	765	091
9	1	10	44.4	22.0	00	06	17	2082	811	555
10	1	10	44.4	22.0	00	06	19	2288	164	555
11	1	10	44.4	22.0	00	06	20	2433	435	555
12	1	10	44.4	22.0	00	06	21	2533	701	555
13	1	10	44.4	22.0	00	06	22	2633	961	444
14	1	10	44.4	22.0	00	06	23	2733	116	444
15	1	10	44.4	22.0	00	06	24	2833	355	444
16	1	10	44.4	22.0	00	06	25	2933	709	444
17	1	10	44.4	22.0	00	06	27	306	906	444
18	1	10	44.4	22.0	00	06	27	310	995	444
19	1	10	44.4	22.0	00	06	27	334	063	444
20	1	10	44.4	22.0	00	06	28	327	111	444
21	1	10	44.4	22.0	00	06	28	327	138	444
22	1	10	44.4	22.0	00	06	28	330	144	444
23	1	10	44.4	22.0	00	06	28	333	130	444
24	1	10	44.4	22.0	00	06	28	333	148	444
25	1	10	44.4	22.0	00	06	28	333	229	444
26	1	10	44.4	22.0	00	06	29	333	300	444
27	1	10	44.4	22.0	00	06	29	333	360	444
28	1	10	44.4	22.0	00	06	29	333	411	444
29	1	10	44.4	22.0	00	06	30	333	616	444
30	1	10	44.4	22.0	00	06	33	333	888	444
31	1	10	44.4	22.0	00	06	33	333	578	444
32	1	10	44.4	22.0	00	06	38	133	087	444
33	1	10	44.4	22.0	00	06	41	197	614	444
34	1	10	44.4	22.0	00	06	44	597	159	444
35	1	10	44.4	22.0	00	06	44	013	724	444
36	1	10	44.4	22.0	00	06	47	446	413	444
37	1	10	44.4	22.0	00	06	51	002	189	444
38	1	10	44.4	22.0	00	06	44	177	695	444
39	1	10	44.4	22.0	00	06	52	508	006	444
40	1	10	44.4	22.0	00	06	44	695	118	444

TABLE 7 -
 FLOOR FORCE AND MOMENT LOADS - MAIN PLACE HOTEL -- CONF. B -- DALLAS , TEXAS

DATA FOR WIND DIR. 195 REF. PRESS. -26.5 PSF GUST FACTOR= 1.320 REF. AREA- 2000.52 FT REF. LENGTH- 200. FT

FLOOR	CFX	CFY	FORCE(X) (KIPS)	FORCE(Y) (KIPS)	CMX	CMY	CMZ	MOM(X)	MOM(Y) (1000-FT-KIPS)	MOM(Z)
1										
2										
3										
4										
5										
6										
7										
8										
9										
10										
11										
12										
13										
14										
15										
16										
17										
18										
19										
20										
21										
22										
23										
24										
25										
26										
27										
28										
29										
30										
31										
32										
33										
34										
35										
36										
37										
38										
39										

TABLE 7 -
 FLOOR FORCE AND MOMENT LOADS - MAIN PLACE HOTEL -- CONF. B -- DALLAS , TEXAS
 DATA FOR WIND DIR. 210 REF. PRESS. -26.5 PSF GUST FACTOR= 1.320 REF. AREA- 2000. SQ FT REF. LENGTH- 200. FT

FLOOR	CFX	CFY	FORCE(X) (KIPS)	FORCE(Y) (KIPS)	CMX	CMY	CMZ	MOM(X)	MOM(Y) (1000-FT-KIPS)	MOM(Z)
1	.11	.08	10.10	7.7	1.1	.00	1.17	.057	.089	1.1
2	.11	.07	11.11	8.6	1.1	.01	1.18	.161	.229	1.1
3	.08	.04	7.7	5.8	1.1	.01	1.13	.148	.204	1.1
4	.08	.04	7.7	5.8	1.1	.01	1.13	.182	.377	1.1
5	.09	.04	7.7	5.8	1.1	.01	1.13	.231	.498	1.1
6	.10	.06	9.9	7.2	1.1	.02	1.13	.383	.897	1.1
7	.12	.08	10.7	8.0	1.1	.03	1.12	.578	1.277	1.1
8	.12	.10	10.7	8.0	1.1	.03	1.12	.883	1.919	1.1
9	.14	.11	12.5	9.1	1.1	.06	1.12	1.055	2.305	1.1
10	.00	.00	11.1	8.0	1.1	.18	1.04	.016	2.444	1.1
11	.00	.01	22.2	16.4	1.1	.19	1.08	.108	3.333	1.1
12	.30	.02	27.9	20.8	1.1	.21	1.04	.215	4.444	1.1
13	.30	.02	27.9	20.8	1.1	.22	1.04	.339	5.555	1.1
14	.30	.00	27.9	20.8	1.1	.24	1.04	.478	6.666	1.1
15	.00	.00	27.9	20.8	1.1	.25	1.04	.633	7.777	1.1
16	.00	.00	27.9	20.8	1.1	.27	1.00	.804	8.888	1.1
17	.31	.05	27.9	20.8	1.1	.29	1.05	.954	9.999	1.1
18	.31	.05	27.9	20.8	1.1	.32	1.05	1.226	11.111	1.1
19	.33	.04	30.6	22.9	1.1	.36	1.05	1.889	12.222	1.1
20	.33	.04	30.6	22.9	1.1	.39	1.05	2.844	13.333	1.1
21	.77	.00	33.3	25.5	1.1	.43	1.00	4.099	14.444	1.1
22	.33	.03	33.3	25.5	1.1	.47	1.00	5.725	15.555	1.1
23	.40	.00	36.6	28.2	1.1	.52	1.00	7.549	16.666	1.1
24	.42	.02	36.6	28.2	1.1	.56	1.00	9.549	17.777	1.1
25	.43	.01	40.4	31.1	1.1	.61	1.00	11.727	18.888	1.1
26	.43	.00	40.4	31.1	1.1	.66	1.00	14.111	20.000	1.1
27	.47	.00	44.5	34.0	1.1	.71	1.00	16.666	21.111	1.1
28	.47	.00	44.5	34.0	1.1	.77	1.00	19.444	22.222	1.1
29	.55	.00	46.6	36.0	1.1	.82	1.00	22.444	23.333	1.1
30	.55	.00	46.6	36.0	1.1	.91	1.00	25.666	24.444	1.1
31	.64	.00	50.0	39.0	1.1	1.00	1.00	29.111	25.555	1.1
32	.64	.00	50.0	39.0	1.1	1.09	1.00	32.888	26.666	1.1
33	.64	.00	50.0	39.0	1.1	1.18	1.00	36.888	27.777	1.1
34	.64	.00	50.0	39.0	1.1	1.28	1.00	41.111	28.888	1.1
35	.77	.00	55.5	42.0	1.1	1.38	1.00	45.555	29.999	1.1
36	.77	.00	55.5	42.0	1.1	1.49	1.00	50.222	31.111	1.1
37	.77	.00	55.5	42.0	1.1	1.60	1.00	55.111	32.222	1.1
38	.77	.00	55.5	42.0	1.1	1.71	1.00	60.222	33.333	1.1
39	.99	.00	66.6	48.0	1.1	1.82	1.00	65.555	34.444	1.1
40	.99	.00	66.6	48.0	1.1	1.92	1.00	71.111	35.555	1.1
41	.99	.00	66.6	48.0	1.1	2.02	1.00	76.888	36.666	1.1
42	.99	.00	66.6	48.0	1.1	2.16	1.00	82.888	37.777	1.1

TABLE 7 -
FLOOR FORCE AND MOMENT LOADS - MAIN PLACE HOTEL -- CONF. B -- DALLAS , TEXAS

DATA FOR WIND DIR. 225 REF. PRESS. -26.5 PSF GUST FACTOR= 1.320 REF. AREA- 2000. SQ FT REF. LENGTH- 200. FT

FLOOR	CFX	CFY	FORCE(X) (KIPS)	FORCE(Y) (KIPS)	CMX	CMY	CMZ	MOM(X)	MOM(Y) (1000-FT-KIPS)	MOM(Z)
1	.000	.000	.000	.000	.000	.000	.000	.000	.000	.000
2	.000	.000	.000	.000	.000	.000	.000	.000	.000	.000
3	.000	.000	.000	.000	.000	.000	.000	.000	.000	.000
4	.000	.000	.000	.000	.000	.000	.000	.000	.000	.000
5	.000	.000	.000	.000	.000	.000	.000	.000	.000	.000
6	.000	.000	.000	.000	.000	.000	.000	.000	.000	.000
7	.000	.000	.000	.000	.000	.000	.000	.000	.000	.000
8	.000	.000	.000	.000	.000	.000	.000	.000	.000	.000
9	.000	.000	.000	.000	.000	.000	.000	.000	.000	.000
10	.000	.000	.000	.000	.000	.000	.000	.000	.000	.000
11	.000	.000	.000	.000	.000	.000	.000	.000	.000	.000
12	.000	.000	.000	.000	.000	.000	.000	.000	.000	.000
13	.000	.000	.000	.000	.000	.000	.000	.000	.000	.000
14	.000	.000	.000	.000	.000	.000	.000	.000	.000	.000
15	.000	.000	.000	.000	.000	.000	.000	.000	.000	.000
16	.000	.000	.000	.000	.000	.000	.000	.000	.000	.000
17	.000	.000	.000	.000	.000	.000	.000	.000	.000	.000
18	.000	.000	.000	.000	.000	.000	.000	.000	.000	.000
19	.000	.000	.000	.000	.000	.000	.000	.000	.000	.000
20	.000	.000	.000	.000	.000	.000	.000	.000	.000	.000
21	.000	.000	.000	.000	.000	.000	.000	.000	.000	.000
22	.000	.000	.000	.000	.000	.000	.000	.000	.000	.000
23	.000	.000	.000	.000	.000	.000	.000	.000	.000	.000
24	.000	.000	.000	.000	.000	.000	.000	.000	.000	.000
25	.000	.000	.000	.000	.000	.000	.000	.000	.000	.000
26	.000	.000	.000	.000	.000	.000	.000	.000	.000	.000
27	.000	.000	.000	.000	.000	.000	.000	.000	.000	.000
28	.000	.000	.000	.000	.000	.000	.000	.000	.000	.000
29	.000	.000	.000	.000	.000	.000	.000	.000	.000	.000
30	.000	.000	.000	.000	.000	.000	.000	.000	.000	.000
31	.000	.000	.000	.000	.000	.000	.000	.000	.000	.000
32	.000	.000	.000	.000	.000	.000	.000	.000	.000	.000
33	.000	.000	.000	.000	.000	.000	.000	.000	.000	.000
34	.000	.000	.000	.000	.000	.000	.000	.000	.000	.000
35	.000	.000	.000	.000	.000	.000	.000	.000	.000	.000
36	.000	.000	.000	.000	.000	.000	.000	.000	.000	.000
37	.000	.000	.000	.000	.000	.000	.000	.000	.000	.000
38	.000	.000	.000	.000	.000	.000	.000	.000	.000	.000
39	.000	.000	.000	.000	.000	.000	.000	.000	.000	.000

TABLE 7 -
FLOOR FORCE AND MOMENT LOADS - MAIN PLACE HOTEL -- CONF. B -- DALLAS , TEXAS.

DATA FOR WIND DIR. 240 REF. PRESS. -26.5 PSF GUST FACTOR= 1.320 REF. AREA- 2000.SQ FT REF. LENGTH- 200.FT

FLOOR	CFX	CFY	FORCE(X) (KIPS)	FORCE(Y) (KIPS)	CMX	CMY	CMZ	MOM(X)	MOM(Y) (1000-FT-KIPS)	MOM(Z)
1	.55	.32	51.2	29.5	.01	.02	.07	.242	.4	1.338
2	.55	.20	51.2	19.0	.02	.07	.07	.455	1.1	1.221
3	.55	.07	51.2	6.8	.01	.07	.03	.260	1.1	.557
4	.55	.04	51.2	4.5	.01	.09	.01	.180	1.1	.238
5	.55	.00	51.2	0.0	.00	.11	.00	.015	2.2	.045
6	.55	.03	51.2	1.6	.01	.13	.01	.168	2.2	.197
7	.55	.05	51.2	2.6	.02	.16	.02	.348	2.2	.422
8	.55	.09	51.2	4.4	.04	.17	.03	.756	3.3	.603
9	.44	.12	33.1	6.6	.06	.18	.04	1.194	3.3	.664
10	.66	.05	66.0	1.1	.03	.38	.11	.490	7.7	1.969
11	.66	.05	66.0	0.6	.03	.41	.11	.543	7.7	1.991
12	.66	.05	66.0	0.0	.03	.45	.11	.598	8.8	.013
13	.44	.05	44.0	0.9	.04	.48	.11	.653	8.8	.036
14	.66	.05	66.0	0.4	.04	.51	.11	.710	9.9	.058
15	.66	.05	66.0	0.4	.04	.54	.11	.767	9.9	.080
16	.66	.05	66.0	0.4	.04	.57	.11	.826	10.0	.102
17	.44	.05	44.0	0.7	.05	.60	.12	.908	11.1	.125
18	.66	.05	66.0	0.2	.06	.63	.12	1.036	11.1	.241
19	.44	.05	44.0	0.9	.07	.66	.13	1.173	11.1	.356
20	.66	.05	66.0	1.3	.07	.75	.13	1.318	11.1	.471
21	.66	.07	66.0	1.3	.08	.81	.14	1.472	11.1	.587
22	.66	.07	66.0	1.4	.09	.87	.15	1.634	11.1	.702
23	.72	.08	72.0	1.5	.10	.93	.15	1.804	11.7	.817
24	.74	.08	74.0	1.1	.11	.99	.16	1.946	11.8	.930
25	.76	.08	76.0	0.8	.11	1.06	.16	1.949	11.9	.030
26	.77	.07	77.0	0.5	.11	1.13	.17	1.946	12.0	.130
27	.79	.07	79.0	0.2	.10	1.20	.17	1.937	12.2	.230
28	.81	.07	81.0	0.9	.10	1.27	.18	1.923	12.3	.330
29	.83	.06	83.0	0.6	.10	1.34	.19	1.924	12.4	.419
30	.83	.06	83.0	0.5	.10	1.39	.19	1.925	12.5	.422
31	.83	.06	83.0	0.4	.10	1.43	.19	1.922	12.6	.424
32	.83	.06	83.0	0.4	.10	1.48	.19	1.915	12.7	.426
33	.83	.06	83.0	0.4	.10	1.52	.19	1.903	12.8	.428
34	.83	.06	83.0	0.4	.10	1.57	.19	1.887	12.8	.430
35	.83	.05	83.0	0.3	.10	1.61	.19	1.867	12.9	.431
36	.83	.05	83.0	0.3	.10	1.66	.19	1.856	13.0	.437
37	.83	.05	83.0	0.3	.10	1.71	.19	1.847	13.2	.454
38	.82	.03	82.0	0.1	.07	1.75	.18	1.841	13.2	.275
39	1.09	.04	101.1	0.4	.08	2.13	.23	1.476	14.4	.249

TABLE 7 -
FLOOR FORCE AND MOMENT LOADS - MAIN PLACE HOTEL -- CONF. B -- DALLAS , TEXAS

DATA FOR WIND DIR. 255 REF. PRESS. -26.5 PSF GUST FACTOR= 1.320 REF. AREA- 2000 SQ FT REF. LENGTH- 200 FT

FLOOR	CFX	CFY	FORCE(X) (KIPS)	FORCE(Y) (KIPS)	CMX	CMY	CMZ	MOM(X)	MOM(Y) (1000-FT-KIPS)	MOM(Z)
1	.66	-.34	61.1	-31.5	.01	.03	.09	.258	.501	1.704
2	.68	-.21	62.5	-19.8	.03	.08	.09	.488	1.537	1.696
3	.45	-.09	41.4	-8.8	.02	.09	.05	.336	1.587	.892
4	.44	-.07	41.0	-6.8	.02	.11	.03	.334	2.023	.556
5	.44	-.04	40.6	-3.6	.01	.13	.02	.217	2.450	.401
6	.43	-.02	39.3	-2.3	.01	.15	.02	.164	2.825	.285
7	.42	.01	38.7	-1.0	.00	.17	.01	.082	3.189	.172
8	.39	.02	36.2	2.1	.01	.18	.01	.201	3.377	.102
9	.37	.05	34.6	4.3	.02	.20	.01	.444	3.611	.095
10	.35	.04	33.3	3.3	.02	.43	.11	.418	8.024	.213
11	.35	.04	33.3	3.3	.03	.47	.11	.481	8.759	.197
12	.35	.04	33.3	3.3	.03	.51	.10	.555	9.487	.193
13	.35	.05	33.3	4.4	.04	.55	.10	.618	10.210	.190
14	.35	.05	33.3	4.4	.04	.59	.10	.693	10.928	.186
15	.35	.05	33.3	4.4	.04	.63	.10	.772	11.640	.182
16	.35	.06	33.3	4.4	.05	.67	.10	.855	12.347	.177
17	.35	.06	33.3	4.4	.05	.70	.10	.942	13.017	.170
18	.35	.08	33.3	7.7	.08	.75	.10	1.033	13.683	.164
19	.35	.09	33.3	8.8	.10	.80	.11	1.128	14.346	.158
20	.35	.11	33.3	10.0	.13	.85	.12	1.227	15.006	.152
21	.35	.13	33.3	12.2	.16	.90	.12	1.330	15.662	.146
22	.35	.15	33.3	14.4	.19	.95	.13	1.437	16.314	.140
23	.35	.17	33.3	15.5	.22	1.00	.14	1.548	16.962	.134
24	.35	.19	33.3	17.7	.25	1.05	.15	1.663	17.606	.128
25	.35	.19	33.3	17.7	.27	1.11	.15	1.781	18.246	.122
26	.35	.19	33.3	17.7	.29	1.17	.15	1.902	18.882	.116
27	.35	.19	33.3	17.7	.30	1.23	.16	2.025	19.514	.110
28	.35	.19	33.3	17.7	.32	1.29	.16	2.150	20.142	.104
29	.35	.19	33.3	17.7	.34	1.36	.16	2.277	20.766	.098
30	.35	.18	33.3	16.6	.35	1.41	.16	2.406	21.386	.092
31	.35	.18	33.3	16.6	.36	1.46	.16	2.537	22.002	.086
32	.35	.17	33.3	15.5	.37	1.50	.16	2.670	22.614	.080
33	.35	.17	33.3	15.5	.38	1.55	.16	2.805	23.222	.074
34	.35	.16	33.3	14.4	.39	1.60	.16	2.942	23.826	.068
35	.35	.16	33.3	14.4	.40	1.65	.16	3.081	24.426	.062
36	.35	.15	33.3	13.3	.41	1.70	.16	3.222	25.022	.056
37	.35	.15	33.3	13.3	.42	1.75	.16	3.365	25.614	.050
38	.35	.15	33.3	13.3	.43	1.81	.15	3.510	26.202	.044
39	.35	.14	33.3	12.2	.44	1.87	.14	3.657	26.786	.038
40	.35	.14	33.3	12.2	.45	1.93	.14	3.806	27.366	.032
41	.35	.14	33.3	12.2	.46	1.99	.14	3.957	27.942	.026
42	.35	.14	33.3	12.2	.47	2.05	.14	4.110	28.514	.020
43	.35	.14	33.3	12.2	.48	2.11	.14	4.265	29.082	.014
44	.35	.14	33.3	12.2	.49	2.17	.14	4.422	29.646	.008
45	.35	.14	33.3	12.2	.50	2.23	.14	4.581	30.206	.002
46	.35	.14	33.3	12.2	.51	2.29	.14	4.742	30.762	.000
47	.35	.14	33.3	12.2	.52	2.36	.14	4.905	31.314	.000
48	.35	.14	33.3	12.2	.53	2.43	.14	5.070	31.862	.000
49	.35	.14	33.3	12.2	.54	2.50	.14	5.237	32.406	.000
50	.35	.14	33.3	12.2	.55	2.57	.14	5.406	32.946	.000
51	.35	.14	33.3	12.2	.56	2.64	.14	5.577	33.482	.000
52	.35	.14	33.3	12.2	.57	2.71	.14	5.750	34.014	.000
53	.35	.14	33.3	12.2	.58	2.78	.14	5.925	34.542	.000
54	.35	.14	33.3	12.2	.59	2.85	.14	6.102	35.066	.000
55	.35	.14	33.3	12.2	.60	2.92	.14	6.281	35.586	.000
56	.35	.14	33.3	12.2	.61	2.99	.14	6.462	36.102	.000
57	.35	.14	33.3	12.2	.62	3.06	.14	6.645	36.614	.000
58	.35	.14	33.3	12.2	.63	3.13	.14	6.830	37.122	.000
59	.35	.14	33.3	12.2	.64	3.20	.14	7.017	37.626	.000
60	.35	.14	33.3	12.2	.65	3.27	.14	7.206	38.126	.000
61	.35	.14	33.3	12.2	.66	3.34	.14	7.397	38.622	.000
62	.35	.14	33.3	12.2	.67	3.41	.14	7.590	39.114	.000
63	.35	.14	33.3	12.2	.68	3.48	.14	7.785	39.602	.000
64	.35	.14	33.3	12.2	.69	3.55	.14	7.982	40.086	.000
65	.35	.14	33.3	12.2	.70	3.62	.14	8.181	40.566	.000
66	.35	.14	33.3	12.2	.71	3.69	.14	8.382	41.042	.000
67	.35	.14	33.3	12.2	.72	3.76	.14	8.585	41.514	.000
68	.35	.14	33.3	12.2	.73	3.83	.14	8.790	41.982	.000
69	.35	.14	33.3	12.2	.74	3.90	.14	8.997	42.446	.000
70	.35	.14	33.3	12.2	.75	3.97	.14	9.206	42.906	.000
71	.35	.14	33.3	12.2	.76	4.04	.14	9.417	43.362	.000
72	.35	.14	33.3	12.2	.77	4.11	.14	9.630	43.814	.000
73	.35	.14	33.3	12.2	.78	4.18	.14	9.845	44.262	.000
74	.35	.14	33.3	12.2	.79	4.25	.14	10.062	44.706	.000
75	.35	.14	33.3	12.2	.80	4.32	.14	10.281	45.146	.000
76	.35	.14	33.3	12.2	.81	4.39	.14	10.502	45.582	.000
77	.35	.14	33.3	12.2	.82	4.46	.14	10.725	46.014	.000
78	.35	.14	33.3	12.2	.83	4.53	.14	10.950	46.442	.000
79	.35	.14	33.3	12.2	.84	4.60	.14	11.177	46.866	.000
80	.35	.14	33.3	12.2	.85	4.67	.14	11.406	47.286	.000
81	.35	.14	33.3	12.2	.86	4.74	.14	11.637	47.702	.000
82	.35	.14	33.3	12.2	.87	4.81	.14	11.870	48.114	.000
83	.35	.14	33.3	12.2	.88	4.88	.14	12.105	48.522	.000
84	.35	.14	33.3	12.2	.89	4.95	.14	12.342	48.926	.000
85	.35	.14	33.3	12.2	.90	5.02	.14	12.581	49.326	.000
86	.35	.14	33.3	12.2	.91	5.09	.14	12.822	49.722	.000
87	.35	.14	33.3	12.2	.92	5.16	.14	13.065	50.114	.000
88	.35	.14	33.3	12.2	.93	5.23	.14	13.310	50.502	.000
89	.35	.14	33.3	12.2	.94	5.30	.14	13.557	50.886	.000
90	.35	.14	33.3	12.2	.95	5.37	.14	13.806	51.266	.000
91	.35	.14	33.3	12.2	.96	5.44	.14	14.057	51.642	.000
92	.35	.14	33.3	12.2	.97	5.51	.14	14.310	52.014	.000
93	.35	.14	33.3	12.2	.98	5.58	.14	14.565	52.382	.000
94	.35	.14	33.3	12.2	.99	5.65	.14	14.822	52.746	.000
95	.35	.14	33.3	12.2	1.00	5.72	.14	15.081	53.106	.000
96	.35	.14	33.3	12.2	1.01	5.79	.14	15.342	53.462	.000
97	.35	.14	33.3	12.2	1.02	5.86	.14	15.605	53.814	.000
98	.35	.14	33.3	12.2	1.03	5.93	.14	15.870	54.162	.000
99	.35	.14	33.3	12.2	1.04	6.00	.14	16.137	54.506	.000
100	.35	.14	33.3	12.2	1.05	6.07	.14	16.406	54.846	.000

TABLE 7 -
FLOOR FORCE AND MOMENT LOADS - MAIN PLACE HOTEL -- CONF. B -- DALLAS , TEXAS

DATA FOR WIND DIR. 270 REF. PRESS. -26.5 PSF GUST FACTOR= 1.320 REF. AREA- 2000.59 FT REF. LENGTH- 200. FT

FLOOR	CFX	CFY	FORCE(X) (KIPS)	FORCE(Y) (KIPS)	CMX	CMY	CMZ	MOM(X)	MOM(Y) (1000-FT-KIPS)	MOM(Z)
1	.73	-.48	67.2	-44.5	.02	.03	.13	3.65	.551	2.387
2	.73	-.48	67.4	-45.8	.06	.09	.17	1.127	1.658	3.164
3	.48	-.43	44.4	-34.1	.07	.09	.13	1.305	1.701	2.490
4	.47	-.43	43.8	-33.0	.10	.12	.14	1.921	1.611	2.650
5	.47	-.43	43.2	-32.0	.14	.14	.16	3.530	1.602	3.956
6	.45	-.43	41.4	-31.4	.17	.16	.17	3.071	2.949	3.062
7	.43	-.48	39.9	-44.3	.20	.18	.17	3.649	3.283	3.753
8	.39	-.42	35.9	-42.8	.22	.18	.18	3.996	3.455	3.334
9	.36	-.42	33.0	-42.7	.24	.19	.19	4.449	4.442	3.550
10	.36	-.42	33.0	-42.7	.24	.19	.19	4.449	4.442	3.550
11	.73	-.48	69.9	-47.7	.12	.48	.08	2.238	8.822	1.518
12	.73	-.48	69.9	-47.7	.12	.48	.08	2.238	8.822	1.518
13	.73	-.48	69.9	-47.7	.12	.48	.08	2.238	8.822	1.518
14	.74	-.48	68.5	-46.9	.14	.53	.08	3.511	9.999	1.417
15	.74	-.48	68.5	-46.9	.14	.53	.08	3.511	9.999	1.417
16	.73	-.48	67.6	-46.2	.15	.63	.07	2.750	9.116	1.366
17	.73	-.48	67.6	-46.2	.15	.63	.07	2.750	9.116	1.366
18	.73	-.48	67.6	-46.2	.15	.63	.07	2.750	9.116	1.366
19	.74	-.48	68.4	-44.4	.14	.79	.07	2.993	7.553	2.244
20	.75	-.48	69.1	-44.0	.13	.79	.07	2.471	6.666	2.275
21	.76	-.48	69.9	-43.6	.12	.89	.07	2.264	5.512	1.338
22	.76	-.48	70.6	-43.2	.11	.95	.07	2.026	4.655	1.369
23	.77	-.48	71.4	-43.8	.10	1.00	.08	1.758	4.434	1.400
24	.78	-.48	72.1	-45.5	.08	1.05	.08	1.487	4.220	1.436
25	.79	-.48	72.7	-44.7	.07	1.10	.08	1.305	3.977	1.478
26	.79	-.48	73.3	-43.8	.06	1.16	.08	1.103	3.348	1.520
27	.80	-.43	73.9	-42.9	.05	1.21	.08	.882	3.331	1.561
28	.81	-.43	74.5	-42.1	.03	1.26	.09	.642	3.327	1.603
29	.81	-.43	75.2	-41.4	.03	1.32	.09	.464	3.388	1.640
30	.81	-.43	74.8	-41.1	.00	1.36	.09	.422	3.088	1.617
31	.81	-.43	74.4	-40.9	.00	1.40	.09	.376	2.772	1.592
32	.80	-.43	74.4	-40.0	.00	1.43	.08	.327	2.444	1.568
33	.80	-.43	73.6	-39.7	.01	1.47	.08	.274	2.117	1.544
34	.79	-.43	73.2	-39.6	.01	1.50	.08	.217	1.777	1.519
35	.79	-.43	72.8	-39.4	.01	1.54	.08	.156	1.428	1.495
36	.78	-.43	72.5	-39.2	.01	1.57	.08	.098	1.077	1.469
37	.80	-.43	74.2	-35.5	.03	1.66	.08	.604	6.000	1.424
38	.81	-.43	70.2	-31.1	.01	1.61	.07	.265	1.703	1.311
39	.99	-.40	91.2	-46.4	.01	2.15	.09	1.96	7.991	1.633

TABLE 7 -
FLOOR FORCE AND MOMENT LOADS - MAIN PLACE HOTEL -- CONF. B -- DALLAS , TEXAS

DATA FOR WIND DIR. 285 REF. PRESS. -26.5 PSF GUST FACTOR= 1.320 REF. AREA- 2000.00 SQ FT REF. LENGTH- 200.00 FT

FLOOR	CFX	CFY	FORCE(X) (KIPS)	FORCE(Y) (KIPS)	CMX	CMY	CMZ	MOM(X)	MOM(Y) (1000-FT-KIPS)	MOM(Z)
1	.66	.51	.66	-.46	.02	.03	.08	.383	.497	1.424
2	.46	.31	.46	-.60	.08	.09	.20	1.483	1.538	3.785
3	.46	.31	.46	-.52	.11	.11	.21	1.995	1.626	3.807
4	.46	.31	.46	-.65	.17	.17	.25	2.033	2.080	4.594
5	.46	.31	.46	-.74	.24	.24	.29	2.473	2.542	5.423
6	.46	.31	.46	-.72	.28	.28	.27	2.335	2.856	4.023
7	.46	.31	.46	-.66	.31	.31	.25	2.687	3.118	4.633
8	.46	.31	.46	-.49	.33	.33	.21	3.006	3.187	4.190
9	.46	.31	.46	-.36	.33	.33	.18	3.257	3.344	3.825
10	.46	.31	.46	-.33	.33	.33	.14	3.477	3.452	3.402
11	.46	.31	.46	-.33	.33	.33	.11	3.660	3.661	3.331
12	.46	.31	.46	-.33	.33	.33	.07	3.800	3.800	2.660
13	.46	.31	.46	-.33	.33	.33	.06	3.908	3.908	1.908
14	.46	.31	.46	-.33	.33	.33	.06	4.000	4.000	1.119
15	.46	.31	.46	-.33	.33	.33	.05	4.079	4.079	.346
16	.46	.31	.46	-.33	.33	.33	.05	4.145	4.145	.874
17	.46	.31	.46	-.33	.33	.33	.05	4.205	4.205	.357
18	.46	.31	.46	-.33	.33	.33	.05	4.255	4.255	.128
19	.46	.31	.46	-.33	.33	.33	.05	4.305	4.305	.913
20	.46	.31	.46	-.33	.33	.33	.05	4.355	4.355	.884
21	.46	.31	.46	-.33	.33	.33	.05	4.405	4.405	.710
22	.46	.31	.46	-.33	.33	.33	.05	4.455	4.455	.521
23	.46	.31	.46	-.33	.33	.33	.05	4.498	4.498	.345
24	.46	.31	.46	-.33	.33	.33	.05	4.537	4.537	.182
25	.46	.31	.46	-.33	.33	.33	.05	4.574	4.574	.063
26	.46	.31	.46	-.33	.33	.33	.04	4.607	4.607	.898
27	.46	.31	.46	-.33	.33	.33	.04	4.633	4.633	.787
28	.46	.31	.46	-.33	.33	.33	.04	4.653	4.653	.741
29	.46	.31	.46	-.33	.33	.33	.04	4.666	4.666	.694
30	.46	.31	.46	-.33	.33	.33	.04	4.674	4.674	.648
31	.46	.31	.46	-.33	.33	.33	.04	4.677	4.677	.617
32	.46	.31	.46	-.33	.33	.33	.03	4.674	4.674	.594
33	.46	.31	.46	-.33	.33	.33	.03	4.666	4.666	.574
34	.46	.31	.46	-.33	.33	.33	.03	4.653	4.653	.559
35	.46	.31	.46	-.33	.33	.33	.03	4.637	4.637	.544
36	.46	.31	.46	-.33	.33	.33	.03	4.619	4.619	.529
37	.46	.31	.46	-.33	.33	.33	.03	4.599	4.599	.514
38	.46	.31	.46	-.33	.33	.33	.03	4.577	4.577	.500
39	.46	.31	.46	-.33	.33	.33	.03	4.553	4.553	.486
40	.46	.31	.46	-.33	.33	.33	.03	4.529	4.529	.472
41	.46	.31	.46	-.33	.33	.33	.03	4.505	4.505	.458
42	.46	.31	.46	-.33	.33	.33	.03	4.481	4.481	.444
43	.46	.31	.46	-.33	.33	.33	.02	4.457	4.457	.430
44	.46	.31	.46	-.33	.33	.33	.02	4.433	4.433	.416
45	.46	.31	.46	-.33	.33	.33	.02	4.409	4.409	.402
46	.46	.31	.46	-.33	.33	.33	.02	4.385	4.385	.388
47	.46	.31	.46	-.33	.33	.33	.02	4.361	4.361	.374
48	.46	.31	.46	-.33	.33	.33	.02	4.337	4.337	.360
49	.46	.31	.46	-.33	.33	.33	.02	4.313	4.313	.346
50	.46	.31	.46	-.33	.33	.33	.02	4.289	4.289	.332
51	.46	.31	.46	-.33	.33	.33	.02	4.265	4.265	.318
52	.46	.31	.46	-.33	.33	.33	.02	4.241	4.241	.304
53	.46	.31	.46	-.33	.33	.33	.02	4.217	4.217	.290
54	.46	.31	.46	-.33	.33	.33	.02	4.193	4.193	.276
55	.46	.31	.46	-.33	.33	.33	.02	4.169	4.169	.262
56	.46	.31	.46	-.33	.33	.33	.02	4.145	4.145	.248
57	.46	.31	.46	-.33	.33	.33	.02	4.121	4.121	.234
58	.46	.31	.46	-.33	.33	.33	.02	4.097	4.097	.220
59	.46	.31	.46	-.33	.33	.33	.02	4.073	4.073	.206
60	.46	.31	.46	-.33	.33	.33	.02	4.049	4.049	.192
61	.46	.31	.46	-.33	.33	.33	.02	4.025	4.025	.178
62	.46	.31	.46	-.33	.33	.33	.02	4.001	4.001	.164
63	.46	.31	.46	-.33	.33	.33	.02	3.977	3.977	.150
64	.46	.31	.46	-.33	.33	.33	.02	3.953	3.953	.136
65	.46	.31	.46	-.33	.33	.33	.02	3.929	3.929	.122
66	.46	.31	.46	-.33	.33	.33	.02	3.905	3.905	.108
67	.46	.31	.46	-.33	.33	.33	.02	3.881	3.881	.094
68	.46	.31	.46	-.33	.33	.33	.02	3.857	3.857	.080
69	.46	.31	.46	-.33	.33	.33	.02	3.833	3.833	.066
70	.46	.31	.46	-.33	.33	.33	.02	3.809	3.809	.052
71	.46	.31	.46	-.33	.33	.33	.02	3.785	3.785	.038
72	.46	.31	.46	-.33	.33	.33	.02	3.761	3.761	.024
73	.46	.31	.46	-.33	.33	.33	.02	3.737	3.737	.010
74	.46	.31	.46	-.33	.33	.33	.02	3.713	3.713	.000
75	.46	.31	.46	-.33	.33	.33	.02	3.689	3.689	.000
76	.46	.31	.46	-.33	.33	.33	.02	3.665	3.665	.000
77	.46	.31	.46	-.33	.33	.33	.02	3.641	3.641	.000
78	.46	.31	.46	-.33	.33	.33	.02	3.617	3.617	.000
79	.46	.31	.46	-.33	.33	.33	.02	3.593	3.593	.000
80	.46	.31	.46	-.33	.33	.33	.02	3.569	3.569	.000
81	.46	.31	.46	-.33	.33	.33	.02	3.545	3.545	.000
82	.46	.31	.46	-.33	.33	.33	.02	3.521	3.521	.000
83	.46	.31	.46	-.33	.33	.33	.02	3.497	3.497	.000
84	.46	.31	.46	-.33	.33	.33	.02	3.473	3.473	.000
85	.46	.31	.46	-.33	.33	.33	.02	3.449	3.449	.000
86	.46	.31	.46	-.33	.33	.33	.02	3.425	3.425	.000
87	.46	.31	.46	-.33	.33	.33	.02	3.401	3.401	.000
88	.46	.31	.46	-.33	.33	.33	.02	3.377	3.377	.000
89	.46	.31	.46	-.33	.33	.33	.02	3.353	3.353	.000
90	.46	.31	.46	-.33	.33	.33	.02	3.329	3.329	.000
91	.46	.31	.46	-.33	.33	.33	.02	3.305	3.305	.000
92	.46	.31	.46	-.33	.33	.33	.02	3.281	3.281	.000
93	.46	.31	.46	-.33	.33	.33	.02	3.257	3.257	.000
94	.46	.31	.46	-.33	.33	.33	.02	3.233	3.233	.000
95	.46	.31	.46	-.33	.33	.33	.02	3.209	3.209	.000
96	.46	.31	.46	-.33	.33	.33	.02	3.185	3.185	.000
97	.46	.31	.46	-.33	.33	.33	.02	3.161	3.161	.000
98	.46	.31	.46	-.33	.33	.33	.02	3.137	3.137	.000
99	.46	.31	.46	-.33	.33	.33	.02	3.113	3.113	.000
100	.46	.31	.46	-.33	.33	.33	.02	3.089	3.089	.000

TABLE 7 -
FLOOR FORCE AND MOMENT LOADS - MAIN PLACE HOTEL -- CONF. B -- DALLAS , TEXAS

DATA FOR WIND DIR. 300 REF. PRESS. -26.5 PSF GUST FACTOR= 1.320 REF. AREA- 2000.00 FT REF. LENGTH- 200.00 FT

FLOOR	CFX	CFY	FORCE(X) (KIPS)	FORCE(Y) (KIPS)	CMX	CMY	CMZ	MOM(X)	MOM(Y) (1000-FT-KIPS)	MOM(Z)
1	334	76	30.2	17.1	.03	.02	.13	5.75	41.2	2.493
2	334	76	30.2	17.1	.11	.07	.22	11.073	22.8	4.148
3	334	76	30.2	17.1	.14	.08	.28	14.639	33.4	5.833
4	334	76	30.2	17.1	.19	.10	.36	19.070	44.1	7.724
5	334	76	30.2	17.1	.22	.12	.44	22.016	55.9	9.816
6	334	76	30.2	17.1	.26	.14	.52	26.048	67.7	12.017
7	334	76	30.2	17.1	.30	.15	.61	30.077	79.5	14.338
8	334	76	30.2	17.1	.34	.16	.70	34.102	91.4	16.777
9	334	76	30.2	17.1	.38	.17	.79	38.120	103.3	19.321
10	334	76	30.2	17.1	.42	.18	.88	42.131	115.2	21.971
11	334	76	30.2	17.1	.46	.19	.97	46.135	127.1	24.725
12	334	76	30.2	17.1	.50	.20	1.06	50.131	139.0	27.583
13	334	76	30.2	17.1	.54	.21	1.15	54.118	150.9	30.544
14	334	76	30.2	17.1	.58	.22	1.24	58.098	162.8	33.607
15	334	76	30.2	17.1	.62	.23	1.33	62.070	174.7	36.772
16	334	76	30.2	17.1	.66	.24	1.42	66.034	186.6	40.038
17	334	76	30.2	17.1	.70	.25	1.51	70.000	198.5	43.404
18	334	76	30.2	17.1	.74	.26	1.60	73.958	210.4	46.871
19	334	76	30.2	17.1	.78	.27	1.69	77.908	222.3	50.438
20	334	76	30.2	17.1	.82	.28	1.78	81.850	234.2	54.105
21	334	76	30.2	17.1	.86	.29	1.87	85.784	246.1	57.872
22	334	76	30.2	17.1	.90	.30	1.96	89.710	258.0	61.738
23	334	76	30.2	17.1	.94	.31	2.05	93.628	270.0	65.704
24	334	76	30.2	17.1	.98	.32	2.14	97.538	282.0	69.770
25	334	76	30.2	17.1	1.02	.33	2.23	101.440	294.0	73.936
26	334	76	30.2	17.1	1.06	.34	2.32	105.334	306.0	78.202
27	334	76	30.2	17.1	1.10	.35	2.41	109.220	318.0	82.568
28	334	76	30.2	17.1	1.14	.36	2.50	113.100	330.0	87.034
29	334	76	30.2	17.1	1.18	.37	2.59	116.974	342.0	91.600
30	334	76	30.2	17.1	1.22	.38	2.68	120.842	354.0	96.266
31	334	76	30.2	17.1	1.26	.39	2.77	124.704	366.0	101.032
32	334	76	30.2	17.1	1.30	.40	2.86	128.560	378.0	105.898
33	334	76	30.2	17.1	1.34	.41	2.95	132.410	390.0	110.864
34	334	76	30.2	17.1	1.38	.42	3.04	136.254	402.0	115.930
35	334	76	30.2	17.1	1.42	.43	3.13	140.092	414.0	121.096
36	334	76	30.2	17.1	1.46	.44	3.22	143.924	426.0	126.362
37	334	76	30.2	17.1	1.50	.45	3.31	147.750	438.0	131.728
38	334	76	30.2	17.1	1.54	.46	3.40	151.570	450.0	137.194
39	334	76	30.2	17.1	1.58	.47	3.49	155.384	462.0	142.760

TABLE 7 -
FLOOR FORCE AND MOMENT LOADS - MAIN PLACE HOTEL -- CONF. B -- DALLAS , TEXAS

DATA FOR WIND DIR. 315 REF. PRESS. -26.5 PSF GUST FACTOR= 1.320 REF. AREA- 2000.00 FT REF. LENGTH- 200. FT

FLOOR	CFX	CFY	FORCE(X) (KIPS)	FORCE(Y) (KIPS)	CMX	CMY	CMZ	MOM(X)	MOM(Y) (1000-FT-KIPS)	MOM(Z)
1	1	1	71	6	03	02	07	536	292	1.271
2	1	1	82	5	10	00	25	221	874	4.665
3	1	1	71	5	14	05	25	222	967	5.529
4	1	1	89	5	22	07	29	222	278	356
5	1	1	02	5	31	09	33	222	585	176
6	1	1	02	5	36	10	31	224	786	706
7	1	1	00	5	41	11	29	222	949	281
8	1	1	44	5	44	10	25	222	783	674
9	1	1	11	5	48	10	23	222	827	170
10	1	1	55	5	32	21	01	222	792	231
11	1	1	55	5	35	21	01	222	458	193
12	1	1	55	5	38	22	01	222	278	154
13	1	1	55	5	41	23	01	222	493	116
14	1	1	55	5	45	24	00	222	689	078
15	1	1	55	5	48	25	00	222	866	039
16	1	1	55	5	51	26	00	222	1024	001
17	1	1	55	5	55	27	00	222	1183	044
18	1	1	55	5	59	28	00	222	1344	080
19	1	1	55	5	64	29	01	222	1508	116
20	1	1	55	5	69	30	01	222	1676	151
21	1	1	55	5	74	31	01	222	1847	187
22	1	1	55	5	80	32	01	222	2021	223
23	1	1	55	5	85	33	01	222	2200	258
24	1	1	55	5	91	34	02	222	2384	296
25	1	1	55	5	96	35	02	222	2573	335
26	1	1	55	5	102	36	02	222	2766	374
27	1	1	55	5	109	37	03	222	2963	413
28	1	1	55	5	115	38	03	222	3164	453
29	1	1	55	5	122	39	03	222	3369	492
30	1	1	55	5	129	40	03	222	3578	531
31	1	1	55	5	136	41	03	222	3791	569
32	1	1	55	5	143	42	03	222	4008	607
33	1	1	55	5	150	43	03	222	4229	645
34	1	1	55	5	157	44	04	222	4454	682
35	1	1	55	5	164	45	04	222	4683	719
36	1	1	55	5	171	46	04	222	4916	757
37	1	1	55	5	178	47	04	222	5153	794
38	1	1	55	5	185	48	04	222	5394	831
39	1	1	55	5	192	49	04	222	5639	868
40	1	1	55	5	199	50	04	222	5888	905
41	1	1	55	5	206	51	04	222	6141	942
42	1	1	55	5	213	52	04	222	6398	979
43	1	1	55	5	220	53	04	222	6659	1016
44	1	1	55	5	227	54	04	222	6924	1053
45	1	1	55	5	234	55	04	222	7193	1090
46	1	1	55	5	241	56	04	222	7466	1127
47	1	1	55	5	248	57	04	222	7743	1164
48	1	1	55	5	255	58	04	222	8024	1201
49	1	1	55	5	262	59	04	222	8309	1238
50	1	1	55	5	269	60	04	222	8598	1275
51	1	1	55	5	276	61	04	222	8891	1312
52	1	1	55	5	283	62	04	222	9188	1349
53	1	1	55	5	290	63	04	222	9489	1386
54	1	1	55	5	297	64	04	222	9794	1423
55	1	1	55	5	304	65	04	222	10103	1460
56	1	1	55	5	311	66	04	222	10466	1497
57	1	1	55	5	318	67	04	222	10833	1534
58	1	1	55	5	325	68	04	222	11204	1571
59	1	1	55	5	332	69	04	222	11579	1608
60	1	1	55	5	339	70	04	222	11958	1645
61	1	1	55	5	346	71	04	222	12341	1682
62	1	1	55	5	353	72	04	222	12728	1719
63	1	1	55	5	360	73	04	222	13119	1756
64	1	1	55	5	367	74	04	222	13514	1793
65	1	1	55	5	374	75	04	222	13913	1830
66	1	1	55	5	381	76	04	222	14316	1867
67	1	1	55	5	388	77	04	222	14723	1904
68	1	1	55	5	395	78	04	222	15134	1941
69	1	1	55	5	402	79	04	222	15549	1978
70	1	1	55	5	409	80	04	222	15968	2015
71	1	1	55	5	416	81	04	222	16391	2052
72	1	1	55	5	423	82	04	222	16818	2089
73	1	1	55	5	430	83	04	222	17249	2126
74	1	1	55	5	437	84	04	222	17684	2163
75	1	1	55	5	444	85	04	222	18123	2200
76	1	1	55	5	451	86	04	222	18566	2237
77	1	1	55	5	458	87	04	222	19013	2274
78	1	1	55	5	465	88	04	222	19464	2311
79	1	1	55	5	472	89	04	222	19919	2348
80	1	1	55	5	479	90	04	222	20378	2385
81	1	1	55	5	486	91	04	222	20841	2422
82	1	1	55	5	493	92	04	222	21308	2459
83	1	1	55	5	500	93	04	222	21779	2496
84	1	1	55	5	507	94	04	222	22254	2533
85	1	1	55	5	514	95	04	222	22733	2570
86	1	1	55	5	521	96	04	222	23216	2607
87	1	1	55	5	528	97	04	222	23703	2644
88	1	1	55	5	535	98	04	222	24194	2681
89	1	1	55	5	542	99	04	222	24689	2718
90	1	1	55	5	549	100	04	222	25188	2755
91	1	1	55	5	556	101	04	222	25691	2792
92	1	1	55	5	563	102	04	222	26198	2829
93	1	1	55	5	570	103	04	222	26709	2866
94	1	1	55	5	577	104	04	222	27224	2903
95	1	1	55	5	584	105	04	222	27743	2940
96	1	1	55	5	591	106	04	222	28266	2977
97	1	1	55	5	598	107	04	222	28793	3014
98	1	1	55	5	605	108	04	222	29324	3051
99	1	1	55	5	612	109	04	222	29859	3088
100	1	1	55	5	619	110	04	222	30398	3125

TABLE 7 -
FLOOR FORCE AND MOMENT LOADS - MAIN PLACE HOTEL -- CONF. B -- DALLAS , TEXAS

DATA FOR WIND DIR. 330 REF. PRESS. -26.5 PSF GUST FACTOR= 1.320 REF. AREA- 2000.00 SQ FT REF. LENGTH- 200.00 FT

FLOOR	CFX	CFY	FORCE(X) (KIPS)	FORCE(Y) (KIPS)	CMX	CMY	CMZ	MOM(X)	MOM(Y) (1000-FT-KIPS)	MOM(Z)
1	.16	-.60	14.4	-33.4	.02	.01	.01	454	118	260
2	.16	-.64	15.1	-39.9	.08	.02	.11	460	370	994
3	.12	-.52	11.5	-27.9	.10	.02	.10	833	442	849
4	.14	-.60	12.9	-35.6	.15	.03	.12	741	635	154
5	.14	-.60	13.1	-35.6	.21	.04	.13	803	787	402
6	.14	-.60	13.1	-35.6	.28	.05	.13	622	915	253
7	.14	-.60	13.1	-35.6	.35	.06	.12	297	1000	55
8	.10	-.67	11.1	-26.6	.41	.05	.10	706	984	873
9	.10	-.67	9.9	-23.4	.49	.05	.09	410	983	333
10	.10	-.67	9.9	-23.4	.56	.06	-.02	828	1000	390
11	.10	-.67	9.9	-23.4	.63	.06	.02	481	1000	357
12	.10	-.67	9.9	-23.4	.70	.07	.02	167	1000	324
13	.10	-.67	9.9	-23.4	.77	.07	.02	887	1000	291
14	.09	-.74	8.8	-21.1	.84	.08	.01	640	1000	258
15	.09	-.74	8.8	-21.1	.91	.08	.01	427	1000	224
16	.09	-.74	8.8	-21.1	.98	.08	.01	247	1000	191
17	.09	-.74	8.8	-21.1	1.05	.08	.01	118	1000	190
18	.08	-.81	7.7	-19.4	1.12	.08	.02	55	1000	284
19	.08	-.81	7.7	-19.4	1.19	.08	.02	31	1000	378
20	.08	-.81	7.7	-19.4	1.26	.08	.02	46	1000	472
21	.08	-.81	7.7	-19.4	1.33	.08	.03	99	1000	566
22	.08	-.81	7.7	-19.4	1.40	.07	.04	191	1000	660
23	.08	-.81	7.7	-19.4	1.47	.07	.04	322	1000	754
24	.08	-.81	7.7	-19.4	1.54	.06	.05	460	1000	847
25	.08	-.81	7.7	-19.4	1.61	.06	.05	512	1000	941
26	.08	-.81	7.7	-19.4	1.68	.06	.05	590	1000	1034
27	.08	-.81	7.7	-19.4	1.75	.06	.05	695	1000	1128
28	.08	-.81	7.7	-19.4	1.82	.06	.05	826	1000	1221
29	.08	-.81	7.7	-19.4	1.89	.05	.05	984	1000	1315
30	.08	-.81	7.7	-19.4	1.96	.05	.05	1164	1000	1411
31	.08	-.81	7.7	-19.4	2.03	.04	.05	1364	1000	1511
32	.08	-.81	7.7	-19.4	2.10	.04	.05	1584	1000	1611
33	.08	-.81	7.7	-19.4	2.17	.03	.05	1824	1000	1711
34	.08	-.81	7.7	-19.4	2.24	.03	.05	2084	1000	1811
35	.08	-.81	7.7	-19.4	2.31	.03	.05	2364	1000	1911
36	.08	-.81	7.7	-19.4	2.38	.03	.05	2664	1000	2011
37	.08	-.81	7.7	-19.4	2.45	.03	.05	2984	1000	2111
38	.08	-.81	7.7	-19.4	2.52	.03	.05	3324	1000	2211
39	.08	-.81	7.7	-19.4	2.59	.03	.05	3684	1000	2311
40	.08	-.81	7.7	-19.4	2.66	.03	.05	4064	1000	2411
41	.08	-.81	7.7	-19.4	2.73	.03	.05	4464	1000	2511
42	.08	-.81	7.7	-19.4	2.80	.03	.05	4884	1000	2611
43	.08	-.81	7.7	-19.4	2.87	.03	.05	5324	1000	2711
44	.08	-.81	7.7	-19.4	2.94	.03	.05	5784	1000	2811
45	.08	-.81	7.7	-19.4	3.01	.03	.05	6264	1000	2911
46	.08	-.81	7.7	-19.4	3.08	.03	.05	6764	1000	3011
47	.08	-.81	7.7	-19.4	3.15	.03	.05	7284	1000	3111
48	.08	-.81	7.7	-19.4	3.22	.03	.05	7824	1000	3211
49	.08	-.81	7.7	-19.4	3.29	.03	.05	8384	1000	3311
50	.08	-.81	7.7	-19.4	3.36	.03	.05	8964	1000	3411
51	.08	-.81	7.7	-19.4	3.43	.03	.05	9564	1000	3511
52	.08	-.81	7.7	-19.4	3.50	.03	.05	10184	1000	3611
53	.08	-.81	7.7	-19.4	3.57	.03	.05	10824	1000	3711
54	.08	-.81	7.7	-19.4	3.64	.03	.05	11484	1000	3811
55	.08	-.81	7.7	-19.4	3.71	.03	.05	12164	1000	3911
56	.08	-.81	7.7	-19.4	3.78	.03	.05	12864	1000	4011
57	.08	-.81	7.7	-19.4	3.85	.03	.05	13584	1000	4111
58	.08	-.81	7.7	-19.4	3.92	.03	.05	14324	1000	4211
59	.08	-.81	7.7	-19.4	3.99	.03	.05	15084	1000	4311
60	.08	-.81	7.7	-19.4	4.06	.03	.05	15864	1000	4411
61	.08	-.81	7.7	-19.4	4.13	.03	.05	16664	1000	4511
62	.08	-.81	7.7	-19.4	4.20	.03	.05	17484	1000	4611
63	.08	-.81	7.7	-19.4	4.27	.03	.05	18324	1000	4711
64	.08	-.81	7.7	-19.4	4.34	.03	.05	19184	1000	4811
65	.08	-.81	7.7	-19.4	4.41	.03	.05	20064	1000	4911
66	.08	-.81	7.7	-19.4	4.48	.03	.05	20964	1000	5011
67	.08	-.81	7.7	-19.4	4.55	.03	.05	21884	1000	5111
68	.08	-.81	7.7	-19.4	4.62	.03	.05	22824	1000	5211
69	.08	-.81	7.7	-19.4	4.69	.03	.05	23784	1000	5311
70	.08	-.81	7.7	-19.4	4.76	.03	.05	24764	1000	5411
71	.08	-.81	7.7	-19.4	4.83	.03	.05	25764	1000	5511
72	.08	-.81	7.7	-19.4	4.90	.03	.05	26784	1000	5611
73	.08	-.81	7.7	-19.4	4.97	.03	.05	27824	1000	5711
74	.08	-.81	7.7	-19.4	5.04	.03	.05	28884	1000	5811
75	.08	-.81	7.7	-19.4	5.11	.03	.05	29964	1000	5911
76	.08	-.81	7.7	-19.4	5.18	.03	.05	31064	1000	6011
77	.08	-.81	7.7	-19.4	5.25	.03	.05	32184	1000	6111
78	.08	-.81	7.7	-19.4	5.32	.03	.05	33324	1000	6211
79	.08	-.81	7.7	-19.4	5.39	.03	.05	34484	1000	6311
80	.08	-.81	7.7	-19.4	5.46	.03	.05	35664	1000	6411
81	.08	-.81	7.7	-19.4	5.53	.03	.05	36864	1000	6511
82	.08	-.81	7.7	-19.4	5.60	.03	.05	38084	1000	6611
83	.08	-.81	7.7	-19.4	5.67	.03	.05	39324	1000	6711
84	.08	-.81	7.7	-19.4	5.74	.03	.05	40584	1000	6811
85	.08	-.81	7.7	-19.4	5.81	.03	.05	41864	1000	6911
86	.08	-.81	7.7	-19.4	5.88	.03	.05	43164	1000	7011
87	.08	-.81	7.7	-19.4	5.95	.03	.05	44484	1000	7111
88	.08	-.81	7.7	-19.4	6.02	.03	.05	45824	1000	7211
89	.08	-.81	7.7	-19.4	6.09	.03	.05	47184	1000	7311
90	.08	-.81	7.7	-19.4	6.16	.03	.05	48564	1000	7411
91	.08	-.81	7.7	-19.4	6.23	.03	.05	49964	1000	7511
92	.08	-.81	7.7	-19.4	6.30	.03	.05	51384	1000	7611
93	.08	-.81	7.7	-19.4	6.37	.03	.05	52824	1000	7711
94	.08	-.81	7.7	-19.4	6.44	.03	.05	54284	1000	7811
95	.08	-.81	7.7	-19.4	6.51	.03	.05	55764	1000	7911
96	.08	-.81	7.7	-19.4	6.58	.03	.05	57264	1000	8011
97	.08	-.81	7.7	-19.4	6.65	.03	.05	58784	1000	8111
98	.08	-.81	7.7	-19.4	6.72	.03	.05	60324	1000	8211
99	.08	-.81	7.7	-19.4	6.79	.03	.05	61884	1000	8311
100	.08	-.81	7.7	-19.4	6.86	.03	.05	63464	1000	8411
101	.08	-.81	7.7	-19.4	6.93	.03	.05	65064	1000	8511
102	.08	-.81	7.7	-19.4	7.00	.03	.05	66684	1000	8611
103	.08	-.81	7.7	-19.4	7.07	.03	.05	68324	1000	8711
104	.08	-.81	7.7	-19.4	7.14	.03	.05	69984	1000	8811
105	.08	-.81	7.7	-19.4	7.21	.03	.05	71664	1000	8911
106	.08	-.81	7.7	-19.4	7.28	.03	.05	73364	1000	9011
107	.08	-.81	7.7	-19.4	7.35	.03	.05	75084	1000	9111
108	.08	-.81	7.7	-19.4	7.42	.03	.05	76824	1000	9211
109	.08	-.81	7.7	-19.4	7.49	.03	.05	78584	1000	9311
110	.08	-.81	7.7	-19.4	7.56	.03	.05	80364	1000	9411
111	.08	-.81	7.7	-19.4	7.63	.03	.05	82164	1000	9511
112	.08	-.81	7.7	-19.4	7.70	.03	.05	83984	1000	9611
113	.08	-.81	7.7	-19.4	7.77	.03	.05	85824	1000	9711
114	.08	-.81	7.7	-19.4	7.84	.03	.05	87684	1000	9811
115	.08	-.81	7.7	-19.4	7.91	.03	.05	89564	1000	9911
116	.08	-.81	7.7	-19.4	7.98	.03	.05	91464	1000	10011
117	.08	-.81	7.7	-19.4	8.05	.03	.05	93384	1000	10111
118	.08	-.81	7.7	-19.4	8.12	.03	.05	95324	1000	10211
119	.08	-.81	7.7	-19.4	8.19	.03	.05	97284	1000	10311
120	.08	-.81	7.7	-19.4	8.26	.03	.05	99264	1000	10411
121	.08	-.81	7.7	-19.4	8.33	.03	.05	101264	1000	10511
122	.08	-.81	7.7	-19.4	8.40	.03	.05	103284	1000	10611
123	.08	-.81	7.7	-19.4	8.47	.03	.05	105324	1000	10711
124	.08	-.81	7.7	-19.4	8.54	.03	.05	107384	1000	10811
125	.08	-.81	7.7	-19.4	8.61	.03	.05	109464	1000	10911
126	.08	-.81	7.7	-19.4	8.68	.03	.05	111564	1000	11011
127	.08	-.81	7.7	-19.4	8.75	.03	.05	113684	1000	11111
128	.08	-.81	7.7	-19.4	8.82	.03	.05	115824	1000	11211

TABLE 7 -
FLOOR FORCE AND MOMENT LOADS - MAIN PLACE HOTEL -- CONF. B -- DALLAS , TEXAS

DATA FOR WIND DIR. 345 REF. PRESS. -26.5 PSF GUST FACTOR= 1.320 REF. AREA- 2000.00 FT REF. LENGTH- 200. FT

FLOOR	CFX	CFY	FORCE(X) (KIPS)	FORCE(Y) (KIPS)	CMX	CMY	CMZ	MOM(X)	MOM(Y) (1000-FT-KIPS)	MOM(Z)
1	.03	-	2.5	-50.1	.02	.00	-.04	.411	.021	-.722
2	.03	-	2.5	-49.7	.07	.00	-.02	1.224	.070	-.272
3	.04	-	4.9	-36.9	.08	.01	-.03	1.412	.158	-.303
4	.08	-	7.7	-41.1	.11	.02	-.04	2.024	.346	-.692
5	.10	-	9.9	-46.3	.13	.03	-.04	2.794	.552	-.992
6	.08	-	7.8	-49.8	.19	.03	-.04	3.554	.632	-.882
7	.06	-	5.0	-53.1	.22	.03	-.04	4.199	.619	-.882
8	.07	-	5.4	-53.0	.33	.03	-.04	4.700	.437	-.882
9	.06	-	5.1	-53.3	.44	.03	-.05	5.535	.608	-.882
10	.05	-	4.7	-38.4	.55	.04	-.04	4.424	.724	-.882
11	.02	-	2.4	-41.1	.77	.03	-.05	5.019	.539	-.882
12	.00	-	0.0	-42.1	1.11	.02	-.05	6.645	.300	-.882
13	.04	-	4.9	-43.2	1.44	.02	-.06	6.985	.283	-.882
14	.06	-	6.6	-45.2	1.77	.03	-.06	7.701	.645	-.882
15	.08	-	8.8	-46.6	2.22	.06	-.06	8.447	.052	-.882
16	.10	-	10.0	-48.3	2.66	.08	-.07	9.279	.485	-.882
17	.12	-	12.0	-50.0	3.10	.10	-.08	10.227	.879	-.882
18	.13	-	13.0	-53.4	3.55	.12	-.08	11.363	.307	-.882
19	.15	-	15.0	-55.5	4.00	.15	-.09	12.484	.768	-.882
20	.17	-	17.0	-57.7	4.44	.18	-.09	13.658	.262	-.882
21	.18	-	18.0	-60.0	4.88	.21	-.10	14.883	.790	-.882
22	.18	-	18.0	-62.2	5.33	.24	-.11	16.162	.352	-.882
23	.18	-	18.0	-64.4	5.77	.27	-.11	17.393	.927	-.882
24	.18	-	18.0	-66.6	6.22	.30	-.11	18.281	.191	-.882
25	.18	-	18.0	-68.8	6.66	.33	-.11	19.799	.459	-.882
26	.18	-	18.0	-71.1	7.11	.36	-.11	20.090	.733	-.882
27	.18	-	18.0	-73.3	7.55	.39	-.11	21.116	.011	-.882
28	.18	-	18.0	-75.5	8.00	.42	-.11	22.099	.300	-.882
29	.18	-	18.0	-77.7	8.44	.45	-.11	23.517	.654	-.882
30	.18	-	18.0	-80.0	8.88	.48	-.11	24.335	.828	-.882
31	.18	-	18.0	-82.2	9.33	.51	-.11	25.157	.999	-.882
32	.18	-	18.0	-84.4	9.77	.54	-.11	26.683	.168	-.882
33	.18	-	18.0	-86.6	10.22	.57	-.11	27.799	.334	-.882
34	.18	-	18.0	-88.8	10.66	.60	-.11	29.099	.463	-.882
35	.18	-	18.0	-91.1	11.11	.63	-.11	30.113	.613	-.882
36	.18	-	18.0	-93.3	11.55	.66	-.11	31.444	.866	-.882
37	.18	-	18.0	-95.5	12.00	.69	-.11	32.683	.111	-.882
38	.18	-	18.0	-97.7	12.44	.72	-.11	33.999	.344	-.882
39	.18	-	18.0	-100.0	12.88	.75	-.11	35.333	.463	-.882
40	.18	-	18.0	-102.2	13.33	.78	-.11	36.683	.613	-.882
41	.18	-	18.0	-104.4	13.77	.81	-.11	38.099	.866	-.882
42	.18	-	18.0	-106.6	14.22	.84	-.11	39.444	.111	-.882
43	.18	-	18.0	-108.8	14.66	.87	-.11	40.799	.344	-.882
44	.18	-	18.0	-111.1	15.11	.90	-.11	42.113	.463	-.882
45	.18	-	18.0	-113.3	15.55	.93	-.11	43.444	.613	-.882
46	.18	-	18.0	-115.5	16.00	.96	-.11	44.799	.866	-.882
47	.18	-	18.0	-117.7	16.44	.99	-.11	46.113	.111	-.882
48	.18	-	18.0	-120.0	16.88	1.02	-.11	47.444	.344	-.882
49	.18	-	18.0	-122.2	17.33	1.05	-.11	48.799	.463	-.882
50	.18	-	18.0	-124.4	17.77	1.08	-.11	50.113	.613	-.882
51	.18	-	18.0	-126.6	18.22	1.11	-.11	51.444	.866	-.882
52	.18	-	18.0	-128.8	18.66	1.14	-.11	52.799	.111	-.882
53	.18	-	18.0	-131.1	19.11	1.17	-.11	54.113	.344	-.882
54	.18	-	18.0	-133.3	19.55	1.20	-.11	55.444	.463	-.882
55	.18	-	18.0	-135.5	20.00	1.23	-.11	56.799	.613	-.882
56	.18	-	18.0	-137.7	20.44	1.26	-.11	58.113	.866	-.882
57	.18	-	18.0	-140.0	20.88	1.29	-.11	59.444	.111	-.882
58	.18	-	18.0	-142.2	21.33	1.32	-.11	60.799	.344	-.882
59	.18	-	18.0	-144.4	21.77	1.35	-.11	62.113	.463	-.882
60	.18	-	18.0	-146.6	22.22	1.38	-.11	63.444	.613	-.882
61	.18	-	18.0	-148.8	22.66	1.41	-.11	64.799	.866	-.882
62	.18	-	18.0	-151.1	23.11	1.44	-.11	66.113	.111	-.882
63	.18	-	18.0	-153.3	23.55	1.47	-.11	67.444	.344	-.882
64	.18	-	18.0	-155.5	24.00	1.50	-.11	68.799	.463	-.882
65	.18	-	18.0	-157.7	24.44	1.53	-.11	70.113	.613	-.882
66	.18	-	18.0	-160.0	24.88	1.56	-.11	71.444	.866	-.882
67	.18	-	18.0	-162.2	25.33	1.59	-.11	72.799	.111	-.882
68	.18	-	18.0	-164.4	25.77	1.62	-.11	74.113	.344	-.882
69	.18	-	18.0	-166.6	26.22	1.65	-.11	75.444	.463	-.882
70	.18	-	18.0	-168.8	26.66	1.68	-.11	76.799	.613	-.882
71	.18	-	18.0	-171.1	27.11	1.71	-.11	78.113	.866	-.882
72	.18	-	18.0	-173.3	27.55	1.74	-.11	79.444	.111	-.882
73	.18	-	18.0	-175.5	28.00	1.77	-.11	80.799	.344	-.882
74	.18	-	18.0	-177.7	28.44	1.80	-.11	82.113	.463	-.882
75	.18	-	18.0	-180.0	28.88	1.83	-.11	83.444	.613	-.882
76	.18	-	18.0	-182.2	29.33	1.86	-.11	84.799	.866	-.882
77	.18	-	18.0	-184.4	29.77	1.89	-.11	86.113	.111	-.882
78	.18	-	18.0	-186.6	30.22	1.92	-.11	87.444	.344	-.882
79	.18	-	18.0	-188.8	30.66	1.95	-.11	88.799	.463	-.882
80	.18	-	18.0	-191.1	31.11	1.98	-.11	90.113	.613	-.882
81	.18	-	18.0	-193.3	31.55	2.01	-.11	91.444	.866	-.882
82	.18	-	18.0	-195.5	32.00	2.04	-.11	92.799	.111	-.882
83	.18	-	18.0	-197.7	32.44	2.07	-.11	94.113	.344	-.882
84	.18	-	18.0	-200.0	32.88	2.10	-.11	95.444	.463	-.882
85	.18	-	18.0	-202.2	33.33	2.13	-.11	96.799	.613	-.882
86	.18	-	18.0	-204.4	33.77	2.16	-.11	98.113	.866	-.882
87	.18	-	18.0	-206.6	34.22	2.19	-.11	99.444	.111	-.882
88	.18	-	18.0	-208.8	34.66	2.22	-.11	100.799	.344	-.882
89	.18	-	18.0	-211.1	35.11	2.25	-.11	102.113	.463	-.882
90	.18	-	18.0	-213.3	35.55	2.28	-.11	103.444	.613	-.882
91	.18	-	18.0	-215.5	36.00	2.31	-.11	104.799	.866	-.882
92	.18	-	18.0	-217.7	36.44	2.34	-.11	106.113	.111	-.882
93	.18	-	18.0	-220.0	36.88	2.37	-.11	107.444	.344	-.882
94	.18	-	18.0	-222.2	37.33	2.40	-.11	108.799	.463	-.882
95	.18	-	18.0	-224.4	37.77	2.43	-.11	110.113	.613	-.882
96	.18	-	18.0	-226.6	38.22	2.46	-.11	111.444	.866	-.882
97	.18	-	18.0	-228.8	38.66	2.49	-.11	112.799	.111	-.882
98	.18	-	18.0	-231.1	39.11	2.52	-.11	114.113	.344	-.882
99	.18	-	18.0	-233.3	39.55	2.55	-.11	115.444	.463	-.882
100	.18	-	18.0	-235.5	40.00	2.58	-.11	116.799	.613	-.882
101	.18	-	18.0	-237.7	40.44	2.61	-.11	118.113	.866	-.882
102	.18	-	18.0	-240.0	40.88	2.64	-.11	119.444	.111	-.882
103	.18	-	18.0	-242.2	41.33	2.67	-.11	120.799	.344	-.882
104	.18	-	18.0	-244.4	41.77	2.70	-.11	122.113	.463	-.882
105	.18	-	18.0	-246.6	42.22	2.73	-.11	123.444	.613	-.882
106	.18	-	18.0	-248.8	42.66	2.76	-.11	124.799	.866	-.882
107	.18	-	18.0	-251.1	43.11	2.79	-.11	126.113	.111	-.882
108	.18	-	18.0	-253.3	43.55	2.82	-.11	127.444	.344	-.882
109	.18	-	18.0	-255.5	44.00	2.85	-.11	128.799	.463	-.882
110	.18	-	18.0	-257.7	44.44	2.88	-.11	130.113	.613	-.882
111	.18	-	18.0	-260.0	44.88	2.91	-.11	131.444	.866	-.882
112	.18	-	18.0	-262.2	45.33	2.94	-.11	132.799	.111	-.882
113	.18	-	18.0	-264.4	45.77	2.97	-.11	134.113	.344	-.882
114	.18	-	18.0	-266.6	46.22	3.00	-.11	135.444	.463	-.882
115	.18	-	18.0	-268.8	46.66	3.03	-.11	136.799	.613	-.882
116	.18	-	18.0	-271.1	47.11	3.06	-.11	138.113	.866	-.882
117	.18	-	18.0	-273.3	47.55	3.09	-.11	139.444	.111	-.882
118	.18	-	18.0	-275.5	48.00	3.12	-.11	140.799	.344	-.882
119	.18	-	18.0	-277.7	48.44	3.15	-.11	142.113	.463	-.882
120	.18	-	18.0	-280.0	48.88	3.18	-.11	143.444	.613	-.882
121	.18	-	18.0	-282.2	49.33	3.21	-.11	144.799	.866	-.882
122	.18	-	18.0	-284.4	49.77	3.24	-.11	146.113	.111	-.882
123	.18	-	18.0	-286.6	50.22	3.27	-.11	147.444	.344	-.882
124	.18	-	18.0	-288.8	50.66	3.30	-.11	148.799	.463	-.882
125	.18	-	18.0	-291.1	51.11	3.33	-.11	150.113		

APPENDIX A
PRESSURE DATA

Note: Pressure coefficients are defined in Section 4.3.
Pressure tap designation is explained in Figure 3.

APPENDIX A -- PRESSURE DATA:

MAIN PLACE HOTEL -- CONF. A -- DALLAS, TEXAS

WD	TAP	CPMEAN	CPRMS	CPMAX	CPMIN	WD	TAP	CPMEAN	CPRMS	CPMAX	CPMIN	WD	TAP	CPMEAN	CPRMS	CPMAX	CPMIN
0	1	477	129	168	-1	0	51	491	091	250	990	0	101	423	077	174	734
0	2	484	127	106	-1	0	52	496	094	238	973	0	102	433	078	167	757
0	3	456	120	056	-	0	53	461	096	187	946	0	103	441	077	152	785
0	4	467	116	066	-	0	54	488	093	197	916	0	104	443	089	137	056
0	5	436	102	069	-	0	55	462	076	203	817	0	105	421	083	156	185
0	6	470	103	024	-	0	56	458	083	158	980	0	106	544	106	165	038
0	7	462	093	121	-	0	57	423	086	171	138	0	107	518	114	184	042
0	8	474	096	141	-	0	58	478	094	231	121	0	108	422	079	140	754
0	9	458	107	092	-1	0	59	458	088	252	251	0	109	404	067	195	671
0	10	483	107	127	-1	0	60	421	095	111	956	0	110	425	064	217	662
0	11	480	104	163	-1	0	61	409	084	039	736	0	111	433	068	227	675
0	12	484	104	181	-1	0	62	456	084	154	743	0	112	440	070	252	824
0	13	456	094	198	-	0	63	449	086	168	854	0	113	427	062	229	732
0	14	479	093	188	-	0	64	440	072	170	728	0	114	441	059	258	676
0	15	476	090	093	-	0	65	402	063	215	669	0	115	441	060	252	662
0	16	482	091	179	-	0	66	423	061	238	618	0	116	422	057	241	615
0	17	453	087	018	-	0	67	419	060	210	623	0	117	405	057	215	589
0	18	473	089	063	-1	0	68	419	052	240	594	0	118	422	056	246	608
0	19	471	084	110	-1	0	69	394	060	189	600	0	119	427	058	248	625
0	20	510	085	264	-1	0	70	421	061	197	632	0	120	416	058	241	633
0	21	456	079	238	-1	0	71	419	060	198	628	0	121	406	058	242	621
0	22	442	110	108	-1	0	72	422	060	193	638	0	122	425	053	269	597
0	23	428	106	113	-	0	73	385	062	166	593	0	123	426	061	248	737
0	24	457	103	139	-	0	74	410	066	176	625	0	124	409	067	194	633
0	25	463	098	142	-	0	75	422	072	177	674	0	125	407	071	181	734
0	26	467	091	141	-	0	76	450	080	177	737	0	126	464	067	276	735
0	27	433	085	168	-	0	77	447	086	195	825	0	127	455	094	184	039
0	28	461	087	183	-	0	78	451	081	188	837	0	128	430	084	209	097
0	29	464	086	177	-	0	79	447	081	161	848	0	129	421	087	195	178
0	30	480	098	172	-1	0	80	480	094	203	889	0	130	461	055	310	760
0	31	449	094	092	-	0	81	424	099	075	920	0	131	448	085	237	153
0	32	486	097	115	-1	0	82	411	072	142	692	0	132	527	113	223	970
0	33	478	096	119	-1	0	83	413	063	229	657	0	133	550	131	177	017
0	34	480	095	151	-1	0	84	405	061	171	669	0	134	489	098	192	151
0	35	442	091	102	-	0	85	407	061	193	639	0	135	465	083	193	889
0	36	468	089	197	-	0	86	445	075	253	807	0	136	444	075	200	734
0	37	457	086	226	-	0	87	440	065	271	685	0	137	436	067	218	692
0	38	462	086	226	-	0	88	420	057	221	655	0	138	465	072	251	833
0	39	486	112	173	-1	0	89	410	055	228	643	0	139	463	067	246	853
0	40	440	105	126	-	0	90	427	055	224	647	0	140	437	060	216	669
0	41	408	103	021	-1	0	91	423	055	214	660	0	141	426	059	206	648
0	42	444	095	031	-1	0	92	399	056	216	612	0	142	443	059	203	626
0	43	444	085	100	-	0	93	392	055	218	605	0	143	435	059	191	607
0	44	455	081	167	-	0	94	414	056	179	610	0	144	419	061	232	675
0	45	425	089	108	-	0	95	415	056	250	621	0	145	411	058	224	668
0	46	446	102	153	-	0	96	403	058	214	619	0	146	437	060	242	728
0	47	471	097	189	-1	0	97	394	059	195	623	0	147	436	060	259	682
0	48	479	098	217	-	0	98	418	064	222	665	0	148	416	060	176	615
0	49	462	091	217	-	0	99	430	056	273	666	0	149	402	059	163	580
0	50	493	094	236	-1	0	100	447	084	191	829	0	150	422	067	172	674

APPENDIX A -- PRESSURE DATA:

MAIN PLACE HOTEL -- CONF. A -- DALLAS , TEXAS

WD	TAP	CPMEAN	CPRMS	CPMAX	CPMIN	WD	TAP	CPMEAN	CPRMS	CPMAX	CPMIN	WD	TAP	CPMEAN	CPRMS	CPMAX	CPMIN
0	151	.434	.076	1.46	-.805	0	201	.497	1.42	-.168	-1.730	0	335	.485	.131	1.021	-.136
0	152	.487	.132	1.66	-.154	0	202	.492	1.15	-.204	-1.161	0	336	.449	.120	.874	-.095
0	153	.475	.130	1.21	-.136	0	203	.493	1.18	-.167	-1.116	0	337	.411	.120	.815	-.044
0	154	.481	.136	1.34	-.11	0	204	.558	1.26	-.236	-1.069	0	338	.329	.120	.764	-.015
0	155	.477	.149	1.044	-.11	0	205	.599	1.62	-.282	-1.709	0	339	.241	.115	.666	-.084
0	156	.555	.168	1.31	-.11	0	206	.336	0.86	-.060	-.761	0	340	1.53	.114	.591	-.141
0	157	.599	.203	2.05	-.11	0	207	.360	0.82	-.128	-.762	0	341	.406	.160	.004	-.049
0	158	.599	.179	1.99	-.11	0	208	.421	1.08	-.148	-.996	0	342	.430	.145	.422	-.020
0	159	.453	.099	1.72	-.11	0	209	.416	1.00	-.190	-.961	0	343	.390	.133	.894	-.007
0	160	.519	.127	1.76	-.11	0	210	.411	0.88	-.162	-.823	0	344	.331	.110	.635	-.007
0	161	.488	.105	1.93	-.11	0	211	.376	0.78	-.150	-.841	0	345	.253	.085	.539	-.005
0	162	.474	.089	2.09	-.11	0	212	.473	1.14	-.143	-1.232	0	346	.245	.080	.588	-.022
0	163	.453	.087	2.36	-.11	0	213	.476	1.06	-.141	-1.173	0	347	.244	.085	.588	-.025
0	164	.476	.099	2.34	-.11	0	214	.487	1.14	-.174	-1.133	0	348	.201	.090	.653	-.039
0	165	.478	.093	2.50	-.11	0	215	.476	1.10	-.113	-1.005	0	349	.137	.106	.720	-.135
0	166	.484	.091	2.63	-.11	0	216	.499	1.18	-.148	-1.122	0	350	.061	.116	.412	-.471
0	167	.466	.094	2.24	-.11	0	301	.388	1.56	-.906	-.027	0	351	.262	.192	.891	-.540
0	168	.444	.092	2.16	-.11	0	302	.436	1.56	-.907	-.040	0	352	.231	.105	.555	-.019
0	169	.444	.094	1.44	-.11	0	303	.454	1.53	-.890	-.054	0	353	1.58	.148	.676	-.252
0	170	.466	.085	2.09	-.11	0	304	.427	1.50	-.822	-.068	0	354	1.40	.112	.588	-.251
0	171	.444	.075	1.57	-.11	0	305	.354	1.40	-.763	-.040	0	355	.079	.065	.321	-.133
0	172	.452	.080	1.28	-.11	0	306	.329	1.36	-.763	-.025	0	356	1.01	.029	.190	-.022
0	173	.455	.080	1.51	-.11	0	307	.339	1.46	-.811	-.192	0	357	1.22	.069	.487	-.103
0	174	.444	.081	1.79	-.11	0	308	.336	1.45	-.724	-.196	0	358	2.25	.100	.656	-.171
0	175	.453	.084	1.20	-.11	0	309	.249	1.38	-.704	-.352	0	359	3.06	.157	.853	-.210
0	176	.453	.091	1.48	-.11	0	310	.002	1.15	-.364	-.295	0	360	1.15	.077	.316	-.207
0	177	.450	.102	1.68	-.11	0	311	.451	1.52	-.972	-.010	0	361	.035	.176	.727	-.455
0	178	.490	.122	1.24	-.11	0	312	.551	1.59	1.029	.088	0	362	.084	.123	.505	-.281
0	179	.466	.121	1.35	-.11	0	313	.564	1.59	1.033	.086	0	363	.078	.085	.417	-.220
0	180	.474	.120	1.36	-.11	0	314	.616	1.61	1.105	.085	0	364	.069	.070	.346	-.202
0	181	.479	.119	1.19	-.11	0	315	.587	1.56	1.002	.079	0	365	.066	.077	.431	-.282
0	182	.516	.142	1.17	-.11	0	316	.545	1.56	.934	.049	0	366	.098	.094	.449	-.259
0	183	.614	.175	1.192	-.11	0	317	.511	1.51	.886	.032	0	367	.143	.095	.417	-.286
0	184	.453	.090	1.41	-.11	0	318	.400	1.37	.905	.032	0	368	.199	.092	.462	-.144
0	185	.444	.090	1.33	-.11	0	319	.307	1.27	.765	.099	0	369	.277	.112	.462	-.734
0	186	.466	.089	1.33	-.11	0	320	.002	1.03	.346	-.372	0	370	-.084	.102	.364	-.510
0	187	.454	.097	1.87	-.11	0	321	.411	1.55	.886	.012	0	371	.023	.081	.301	-.276
0	188	.467	.106	1.58	-.11	0	322	.549	1.52	1.022	.146	0	372	.079	.088	.482	-.256
0	189	.456	.091	2.00	-.11	0	323	.571	1.52	1.061	.180	0	373	1.38	.128	.783	-.140
0	190	.444	.091	2.11	-.11	0	324	.577	1.50	1.073	.202	0	374	2.04	.153	.888	-.093
0	191	.433	.082	1.57	-.11	0	325	.557	1.45	1.050	.196	0	375	2.65	.183	.953	-.076
0	192	.450	.099	1.73	-.11	0	326	.550	1.41	1.013	.168	0	401	-.595	.113	2.000	-.100
0	193	.458	.106	1.73	-.11	0	327	.500	1.38	.898	.143	0	402	-.613	.113	2.000	-.121
0	194	.355	.073	1.057	-.11	0	328	.388	1.27	.786	.049	0	403	-.639	.120	2.559	-.191
0	195	.499	.103	2.14	-.11	0	329	.281	1.16	.661	-.056	0	404	-.657	.127	2.559	-.298
0	196	.499	.129	1.38	-.11	0	330	.031	1.05	.366	-.410	0	405	-.687	.152	1.531	-.465
0	197	.433	.095	1.85	-.11	0	331	.400	1.46	.952	.027	0	406	-.683	.169	.083	-.719
0	198	.424	.081	1.94	-.11	0	332	.506	1.41	1.083	.114	0	407	-.645	.148	.083	-.493
0	199	.380	.075	1.25	-.11	0	333	.517	1.38	1.094	.135	0	408	-.643	.156	.052	-.498
0	200	.477	.111	2.01	-.11	0	334	.523	1.39	1.144	.163	0	409	-.680	.192	.011	-.649

APPENDIX A -- PRESSURE DATA:

MAIN PLACE HOTEL -- CONF. A -- DALLAS , TEXAS

WD	TAP	CPMEAN	CPRMS	CPMAX	CPMIN	WD	TAP	CPMEAN	CPRMS	CPMAX	CPMIN	WD	TAP	CPMEAN	CPRMS	CPMAX	CPMIN
0	410	.559	.100	.269	.950	0	502	.249	.061	.014	.493	0	552	.703	.153	.323	.843
0	411	.604	.103	.294	.011	0	503	.528	.117	.179	.951	0	553	.719	.133	.365	.155
0	412	.639	.109	.308	.095	0	504	.307	.063	.063	.515	0	554	.716	.126	.376	.205
0	413	.686	.117	.319	.153	0	505	.353	.165	.157	.933	0	555	.697	.128	.396	.430
0	414	.636	.126	.130	.193	0	506	.420	.142	.027	.964	0	601	.371	.093	.105	.724
0	415	.655	.138	.171	.333	0	507	.498	.082	.278	.010	0	602	.412	.096	.096	.742
0	416	.635	.138	.048	.335	0	508	.446	.089	.215	.219	0	603	.384	.109	.078	.788
0	417	.656	.151	.106	.355	0	509	.476	.096	.250	.371	0	604	.335	.094	.106	.819
0	418	.635	.188	.121	.448	0	510	.486	.110	.229	.552	0	605	.335	.075	.098	.671
0	419	.565	.102	.247	.090	0	511	.496	.090	.211	.980	0	606	.417	.107	.103	.968
0	420	.584	.103	.314	.111	0	512	.444	.095	.173	.071	0	607	.459	.109	.131	.947
0	421	.646	.115	.344	.113	0	513	.477	.099	.202	.056	0	608	.392	.120	.073	.947
0	422	.615	.124	.280	.261	0	514	.467	.085	.174	.885	0	609	.335	.096	.076	.756
0	423	.664	.133	.214	.427	0	515	.491	.085	.250	.813	0	610	.335	.074	.130	.701
0	424	.660	.129	.036	.393	0	516	.429	.096	.157	.867	0	611	.444	.123	.069	.906
0	425	.679	.131	.223	.231	0	517	.457	.088	.191	.877	0	612	.362	.124	.052	.922
0	426	.631	.148	.067	.238	0	518	.465	.085	.229	.986	0	613	.302	.097	.041	.875
0	427	.695	.189	.151	.753	0	519	.492	.092	.232	.983	0	614	.305	.075	.048	.737
0	428	.624	.119	.240	.277	0	520	.404	.073	.074	.645	0	615	.432	.124	.115	.244
0	429	.660	.121	.292	.066	0	521	.437	.073	.121	.764	0	616	.600	.141	.250	.259
0	430	.619	.122	.260	.296	0	522	.449	.074	.190	.767	0	617	.606	.116	.224	.140
0	431	.680	.139	.310	.444	0	523	.422	.077	.178	.683	0	618	.500	.106	.224	.932
0	432	.703	.148	.344	.444	0	524	.411	.076	.174	.660	0	619	.447	.097	.200	.864
0	433	.698	.150	.223	.444	0	525	.526	.171	.162	.237	0	620	.389	.088	.146	.776
0	434	.612	.141	.083	.234	0	526	.710	.155	.359	.417	0	621	.351	.077	.133	.678
0	435	.634	.148	.040	.333	0	527	.739	.147	.339	.247	0	622	.344	.074	.144	.622
0	436	.650	.178	.018	.333	0	528	.733	.129	.282	.369	0	623	.332	.082	.088	.665
0	437	.749	.151	.312	.534	0	529	.566	.148	.114	.276	0	624	.347	.080	.107	.624
0	438	.690	.150	.282	.444	0	530	.583	.131	.205	.191	0	625	.354	.107	.222	.134
0	439	.737	.158	.310	.634	0	531	.524	.129	.084	.095	0	626	.568	.105	.242	.128
0	440	.740	.161	.299	.780	0	532	.516	.152	.094	.360	0	627	.501	.092	.187	.802
0	441	.742	.175	.255	.717	0	533	.676	.161	.039	.295	0	628	.400	.087	.082	.726
0	442	.628	.156	.148	.244	0	534	.689	.134	.281	.286	0	629	.333	.074	.066	.653
0	443	.622	.151	.160	.137	0	535	.654	.111	.323	.070	0	630	.312	.066	.053	.619
0	444	.581	.137	.048	.088	0	536	.694	.125	.325	.253	0	631	.302	.059	.111	.578
0	445	.585	.132	.122	.059	0	537	.802	.143	.354	.342	0	632	.291	.059	.118	.501
0	446	.699	.236	.130	.599	0	538	.563	.129	.147	.108	0	633	.155	.067	.110	.561
0	447	.733	.232	.144	.911	0	539	.537	.141	.102	.338	0	634	.000	.122	.169	.530
0	448	.683	.173	.217	.411	0	540	.533	.150	.041	.456	0	635	.518	.123	.141	.429
0	449	.635	.144	.227	.226	0	541	.747	.200	.251	.797	0	636	.428	.104	.018	.870
0	450	.537	.128	.101	.111	0	542	.713	.138	.311	.281	0	637	.354	.082	.094	.710
0	451	.532	.122	.119	.110	0	543	.655	.113	.344	.070	0	638	.321	.070	.005	.600
0	452	.518	.116	.043	.066	0	544	.655	.129	.021	.179	0	639	.300	.061	.078	.335
0	453	.492	.108	.080	.949	0	545	.753	.141	.331	.463	0	640	.278	.056	.091	.546
0	454	.402	.099	.072	.877	0	546	.687	.176	.048	.426	0	641	.271	.064	.071	.618
0	455	.384	.096	.067	.778	0	547	.642	.157	.200	.368	0	642	.038	.193	.909	.799
0	456	.369	.094	.061	.909	0	548	.630	.136	.158	.179	0	643	.033	.172	.666	.701
0	457	.344	.100	.002	.993	0	549	.647	.156	.135	.240	0	644	.002	.151	.690	.747
0	458	.257	.079	.121	.531	0	550	.704	.151	.205	.419	0	645	.016	.142	.560	.493
0	501	.377	.094	.074	.868	0	551	.699	.145	.310	.332	0	646	.106	.149	.375	.604

APPENDIX A -- PRESSURE DATA:

MAIN PLACE HOTEL -- CONF. A -- DALLAS , TEXAS

WD	TAP	CPMEAN	CPRMS	CPMAX	CPMIN	WD	TAP	CPMEAN	CPRMS	CPMAX	CPMIN	WD	TAP	CPMEAN	CPRMS	CPMAX	CPMIN
0	647	.022	.079	.309	-.222	0	743	-.442	.130	.024	-1.176	15	45	-.463	.164	.243	-1.134
0	648	-.044	.080	.272	-.425	0	744	-.451	.126	-.012	-1.334	15	46	-.509	.203	.214	-1.486
0	649	-.090	.091	.296	-.428	0	745	-.449	.109	-.012	-1.397	15	47	-.528	.167	.085	-1.310
0	650	-.095	.110	.324	-.533	0	746	-.491	.115	-.142	-1.345	15	48	-.548	.172	.102	-1.264
0	651	-.212	.128	.307	-.551	0	747	-.157	.065	-.012	-.284	15	49	-.544	.168	-.016	-1.454
0	652	-.166	.117	.692	-.165	0	748	-.490	.041	-.382	-.656	15	50	-.586	.173	-.030	-1.555
0	653	-.088	.086	.570	-.159	15	1	-.479	.133	-.111	-1.057	15	51	-.617	.167	.103	-1.629
0	654	-.031	.070	.326	-.153	15	2	-.516	.142	-.112	-1.345	15	52	-.642	.184	.102	-1.556
0	655	-.165	.069	.113	-.382	15	3	-.480	.149	-.080	-1.041	15	53	-.623	.185	-.116	-1.522
0	701	-.551	.159	-.255	-1.463	15	4	-.487	.156	-.016	-1.129	15	54	-.641	.185	.065	-1.406
0	702	-.478	.096	-.257	-.976	15	5	-.464	.165	-.104	-1.139	15	55	-.641	.159	.172	-1.289
0	703	-.438	.085	-.167	-.807	15	6	-.499	.169	.072	-1.172	15	56	-.642	.175	.181	-1.739
0	704	-.461	.102	-.087	-1.316	15	7	-.505	.172	.039	-1.206	15	57	-.592	.167	.134	-1.790
0	705	-.475	.105	-.167	-.957	15	8	-.526	.180	.037	-1.222	15	58	-.676	.215	.107	-1.836
0	706	-.530	.133	-.187	-1.298	15	9	-.526	.191	.045	-1.629	15	59	-.804	.268	-.248	-2.114
0	707	-.457	.101	-.146	-.941	15	10	-.522	.198	-.026	-1.770	15	60	-.477	.158	.037	-1.155
0	708	-.483	.139	-.085	-1.724	15	11	-.526	.194	.021	-1.514	15	61	-.424	.162	.202	-1.107
0	709	-.507	.136	-.141	-1.222	15	12	-.522	.190	-.035	-1.371	15	62	-.458	.168	.236	-1.179
0	710	-.472	.113	-.130	-1.019	15	13	-.549	.171	-.014	-1.350	15	63	-.491	.182	.237	-1.280
0	711	-.468	.144	-.054	-1.602	15	14	-.586	.174	-.035	-1.285	15	64	-.503	.169	.158	-1.243
0	712	-.460	.129	-.113	-.065	15	15	-.604	.172	-.071	-1.303	15	65	-.453	.137	.009	-1.516
0	713	-.450	.092	-.179	-.852	15	16	-.628	.173	-.114	-1.361	15	66	-.472	.130	-.058	-1.345
0	715	-.417	.091	-.125	-.837	15	17	-.621	.172	-.132	-1.438	15	67	-.474	.124	-.055	-1.241
0	716	-.340	.066	-.116	-.572	15	18	-.640	.167	-.203	-1.530	15	68	-.471	.101	.158	-.979
0	717	-.387	.082	-.131	-.754	15	19	-.647	.158	.204	-1.434	15	69	-.429	.113	.054	-.873
0	718	-.436	.101	-.101	-.803	15	20	-.643	.180	-.023	-1.470	15	70	-.449	.113	.012	-.897
0	719	-.324	.071	-.021	-.677	15	21	-.658	.303	.159	-2.278	15	71	-.458	.112	.005	-.912
0	720	-.391	.082	-.118	-.797	15	22	-.489	.155	.002	-1.250	15	72	-.465	.114	-.005	-.904
0	721	-.413	.088	-.153	-.799	15	23	-.450	.151	.014	-1.264	15	73	-.456	.130	.011	-.928
0	722	-.345	.069	-.070	-.675	15	24	-.472	.161	.016	-1.443	15	74	-.481	.138	.012	-.988
0	723	-.382	.085	-.094	-.842	15	25	-.482	.164	.069	-1.468	15	75	-.514	.150	.023	-1.052
0	724	-.418	.102	-.104	-.964	15	26	-.505	.170	.095	-1.283	15	76	-.559	.160	-.032	-1.116
0	725	-.366	.072	-.148	-.690	15	27	-.485	.164	.077	-1.187	15	77	-.595	.182	-.093	-1.574
0	726	-.351	.070	-.120	-.646	15	28	-.518	.171	.021	-1.240	15	78	-.568	.176	.059	-1.411
0	727	-.413	.110	-.083	-1.069	15	29	-.538	.174	.039	-1.367	15	79	-.613	.179	.161	-1.515
0	728	-.399	.093	-.053	-.865	15	30	-.584	.176	-.012	-1.367	15	80	-.432	.113	.083	-1.227
0	729	-.397	.093	-.060	-.831	15	31	-.546	.164	-.036	-1.200	15	81	-.438	.122	.070	-1.224
0	730	-.407	.095	-.106	-.826	15	32	-.584	.170	-.072	-1.292	15	82	-.419	.131	.018	-.973
0	731	-.502	.118	-.089	-1.086	15	33	-.610	.177	-.069	-1.418	15	83	-.450	.121	.016	-.886
0	732	-.504	.138	-.215	-1.397	15	34	-.628	.179	-.097	-1.582	15	84	-.437	.123	.012	-.917
0	733	-.507	.125	-.220	-1.195	15	35	-.596	.173	-.059	-1.731	15	85	-.449	.124	.028	-.850
0	734	-.501	.122	-.172	-1.119	15	36	-.615	.168	-.079	-1.684	15	86	-.483	.154	.079	-1.257
0	735	-.506	.120	-.204	-1.065	15	37	-.624	.162	-.078	-1.523	15	87	-.509	.131	-.051	-.994
0	736	-.503	.123	-.189	-1.201	15	38	-.632	.156	-.088	-1.389	15	88	-.499	.132	.018	-1.026
0	737	-.448	.124	-.000	-1.007	15	39	-.497	.131	-.112	-1.144	15	89	-.486	.124	-.016	-1.074
0	738	-.469	.117	-.088	-1.081	15	40	-.524	.155	.099	-1.351	15	90	-.458	.114	.020	-.996
0	739	-.511	.119	-.106	-1.089	15	41	-.451	.149	-.020	-1.037	15	91	-.481	.111	-.040	-.931
0	740	-.416	.123	-.056	-1.273	15	42	-.472	.156	.028	-1.221	15	92	-.454	.098	.018	-.892
0	741	-.457	.118	-.005	-.971	15	43	-.481	.160	.037	-1.296	15	93	-.446	.098	.026	-.885
0	742	-.502	.119	-.143	-1.002	15	44	-.496	.163	.051	-1.354	15	94	-.429	.095	.057	-.851

APPENDIX A -- PRESSURE DATA:

MAIN PLACE HOTEL -- CONF. A -- DALLAS , TEXAS

WD	TAP	CPMEAN	CPRMS	CPMAX	CPMIN	WD	TAP	CPMEAN	CPRMS	CPMAX	CPMIN	WD	TAP	CPMEAN	CPRMS	CPMAX	CPMIN
15	95	.472	.098	.079	.933	15	145	.427	.094	.100	.820	15	195	.393	.126	.038	.043
15	96	.478	.111	.111	.049	15	146	.413	.092	.098	.783	15	196	.463	.196	.034	.421
15	97	.495	.117	.145	.084	15	147	.447	.095	.119	.853	15	197	.430	.151	.014	.039
15	98	.478	.126	.093	.060	15	148	.432	.111	.113	.225	15	198	.419	.132	.036	.975
15	99	.538	.146	.110	.120	15	149	.429	.121	.110	.366	15	199	.481	.117	.063	.783
15	100	.575	.190	.055	.484	15	150	.425	.132	.079	.380	15	200	.663	.194	.048	.577
15	101	.570	.183	.110	.111	15	151	.491	.152	.112	.326	15	201	.661	.205	.157	.613
15	102	.545	.197	.093	.693	15	152	.624	.210	.043	.623	15	202	.645	.186	.045	.534
15	103	.593	.197	.105	.701	15	153	.594	.190	.052	.536	15	203	.634	.184	.136	.508
15	104	.666	.238	.086	.664	15	154	.606	.192	.128	.577	15	204	.638	.204	.136	.536
15	105	.756	.291	.201	.964	15	155	.587	.185	.098	.426	15	205	.852	.259	.245	.031
15	106	.395	.105	.082	.666	15	156	.691	.251	.134	.656	15	206	.855	.125	.012	.861
15	107	.420	.108	.089	.209	15	157	.953	.317	.328	.225	15	207	.335	.114	.038	.821
15	108	.425	.133	.023	.054	15	158	.453	.203	.043	.610	15	208	.396	.154	.058	.131
15	109	.430	.116	.007	.797	15	159	.393	.132	.038	.039	15	209	.390	.143	.061	.143
15	110	.411	.117	.032	.882	15	160	.478	.193	.070	.414	15	210	.385	.125	.040	.906
15	111	.471	.127	.049	.444	15	161	.450	.156	.085	.136	15	211	.385	.116	.033	.322
15	112	.520	.153	.018	.111	15	162	.453	.147	.152	.017	15	212	.603	.195	.074	.548
15	113	.512	.125	.086	.111	15	163	.464	.145	.101	.142	15	213	.595	.160	.073	.251
15	114	.470	.111	.118	.955	15	164	.568	.216	.098	.767	15	214	.595	.156	.095	.162
15	115	.498	.106	.180	.905	15	165	.579	.192	.082	.529	15	215	.444	.146	.042	.121
15	116	.473	.100	.067	.797	15	166	.589	.187	.081	.506	15	216	.558	.153	.062	.148
15	117	.457	.100	.072	.666	15	167	.555	.189	.122	.470	15	301	.558	.175	.097	.299
15	118	.428	.096	.061	.444	15	168	.557	.156	.132	.400	15	302	.432	.147	.856	.036
15	119	.465	.098	.079	.797	15	169	.535	.157	.059	.183	15	303	.427	.138	.912	.038
15	120	.449	.099	.148	.829	15	170	.529	.133	.104	.349	15	304	.364	.128	.791	.070
15	121	.443	.099	.152	.829	15	171	.501	.118	.141	.055	15	305	.279	.120	.632	.113
15	122	.430	.098	.118	.844	15	172	.512	.125	.105	.105	15	306	.333	.114	.574	.109
15	123	.471	.114	.122	.999	15	173	.523	.131	.120	.091	15	307	.330	.123	.619	.136
15	124	.467	.120	.127	.999	15	174	.544	.143	.157	.359	15	308	.223	.121	.590	.156
15	125	.481	.132	.117	.255	15	175	.525	.148	.124	.224	15	309	.144	.112	.530	.374
15	126	.530	.173	.079	.999	15	176	.539	.152	.120	.151	15	310	.097	.088	.230	.370
15	127	.553	.181	.049	.403	15	177	.554	.168	.118	.251	15	311	.611	.175	.097	.065
15	128	.540	.189	.039	.624	15	178	.615	.186	.133	.437	15	312	.611	.158	.112	.119
15	129	.541	.188	.033	.624	15	179	.611	.181	.089	.555	15	313	.586	.151	.137	.127
15	130	.618	.217	.113	.624	15	180	.624	.181	.127	.421	15	314	.550	.138	.953	.070
15	131	.799	.304	.021	.829	15	181	.632	.187	.139	.435	15	315	.471	.128	.822	.052
15	132	.432	.130	.109	.099	15	182	.736	.234	.178	.546	15	316	.403	.125	.768	.000
15	133	.415	.122	.005	.955	15	183	.880	.274	.190	.049	15	317	.358	.124	.743	.024
15	134	.422	.138	.054	.141	15	184	.489	.145	.062	.191	15	318	.274	.111	.587	.199
15	135	.439	.118	.000	.999	15	185	.504	.153	.009	.277	15	319	.180	.101	.475	.284
15	136	.441	.118	.067	.913	15	186	.547	.162	.028	.401	15	320	.108	.080	.148	.439
15	137	.459	.121	.063	.233	15	187	.590	.182	.089	.395	15	321	.565	.168	.099	.142
15	138	.510	.162	.009	.022	15	188	.631	.204	.043	.083	15	322	.600	.154	.097	.142
15	139	.526	.135	.105	.111	15	189	.459	.143	.118	.263	15	323	.584	.148	.044	.134
15	140	.485	.117	.095	.944	15	190	.470	.145	.114	.188	15	324	.556	.141	.982	.139
15	141	.473	.109	.154	.920	15	191	.502	.146	.038	.407	15	325	.481	.129	.881	.098
15	142	.438	.102	.120	.833	15	192	.597	.188	.070	.431	15	326	.422	.118	.854	.090
15	143	.451	.101	.126	.669	15	193	.623	.193	.042	.485	15	327	.346	.113	.768	.009
15	144	.434	.096	.102	.864	15	194	.347	.102	.014	.714	15	328	.231	.103	.600	.084

APPENDIX A -- PRESSURE DATA:

MAIN PLACE HOTEL -- CONF. A -- DALLAS , TEXAS

WD	TAP	CPMEAN	CP RMS	CP MAX	CP MIN	WD	TAP	CPMEAN	CP RMS	CP MAX	CP MIN	WD	TAP	CPMEAN	CP RMS	CP MAX	CP MIN
15	332	144	094	469	154	15	404	478	083	172	900	15	454	417	123	048	982
15	333	120	085	169	396	15	405	494	092	163	903	15	455	413	133	039	351
15	334	517	153	030	020	15	406	502	097	200	972	15	456	410	142	002	444
15	335	553	136	024	159	15	407	522	114	173	213	15	457	399	145	054	173
15	336	519	127	930	160	15	408	532	139	056	398	15	458	377	100	115	713
15	337	503	125	937	142	15	409	542	158	109	842	15	459	449	162	088	791
15	338	396	113	779	087	15	410	437	069	161	770	15	502	200	090	070	617
15	339	319	103	655	024	15	411	474	070	144	805	15	503	539	158	125	620
15	340	252	096	552	027	15	412	502	073	286	850	15	504	200	096	140	552
15	341	166	090	547	072	15	413	520	075	312	908	15	505	412	148	115	095
15	342	091	087	457	161	15	414	464	075	244	830	15	506	194	132	268	748
15	343	038	072	241	248	15	415	499	082	145	890	15	507	664	145	218	133
15	344	465	146	990	033	15	416	512	091	238	953	15	508	645	194	099	375
15	345	490	128	038	118	15	417	446	124	061	194	15	509	741	267	037	925
15	346	424	116	918	072	15	418	496	141	025	150	15	510	825	366	035	839
15	347	331	095	677	015	15	419	438	077	203	735	15	511	696	201	154	336
15	348	135	061	336	062	15	420	455	077	221	759	15	512	666	236	097	522
15	349	101	069	346	103	15	421	493	080	293	934	15	513	641	194	097	540
15	350	073	071	314	143	15	422	451	080	237	888	15	514	564	156	012	092
15	351	015	067	309	190	15	423	495	085	281	971	15	515	631	178	111	438
15	352	050	069	216	254	15	424	509	087	289	918	15	516	662	203	025	548
15	353	201	081	134	339	15	425	555	096	189	083	15	517	683	209	023	600
15	354	434	142	920	027	15	426	519	118	101	509	15	518	711	281	137	111
15	355	450	135	920	053	15	427	578	148	124	773	15	519	711	308	206	699
15	356	374	122	834	004	15	428	480	080	259	794	15	520	640	169	122	249
15	357	270	095	596	028	15	429	509	092	229	996	15	521	640	186	134	499
15	358	021	051	237	190	15	430	466	092	318	980	15	522	645	187	161	433
15	359	046	063	256	271	15	431	515	101	226	160	15	523	640	161	138	231
15	360	027	067	254	287	15	432	533	111	231	356	15	524	533	155	101	177
15	361	071	077	429	184	15	433	573	114	175	254	15	525	489	150	098	262
15	362	115	128	387	526	15	434	511	105	179	019	15	526	557	110	171	119
15	363	191	104	214	541	15	435	562	125	187	141	15	527	934	179	347	582
15	364	341	145	761	194	15	436	603	156	210	374	15	528	973	203	479	881
15	365	350	122	918	090	15	437	561	118	221	405	15	529	617	179	171	388
15	366	255	109	752	074	15	438	507	115	168	364	15	530	808	168	138	417
15	367	143	084	521	095	15	439	535	125	235	420	15	531	594	154	107	294
15	368	029	054	205	209	15	440	578	134	280	568	15	532	529	137	053	200
15	369	033	060	175	261	15	441	618	143	286	376	15	533	542	135	064	253
15	370	001	054	193	228	15	442	540	139	094	267	15	534	538	116	039	285
15	371	122	076	384	117	15	443	546	133	115	296	15	535	488	093	150	807
15	372	163	164	311	966	15	444	527	123	014	069	15	536	680	151	046	220
15	373	267	158	727	182	15	445	527	146	078	499	15	537	990	163	450	639
15	374	249	145	681	143	15	446	477	148	110	311	15	538	847	166	335	458
15	375	128	086	437	154	15	447	513	154	143	618	15	539	606	169	134	342
15	376	081	064	325	131	15	448	539	146	158	342	15	540	552	146	175	331
15	377	092	064	379	142	15	449	551	142	213	372	15	541	556	130	206	146
15	378	015	064	278	273	15	450	488	135	133	230	15	542	512	108	233	025
15	401	446	084	185	730	15	451	503	135	145	462	15	543	493	093	154	916
15	402	464	084	216	759	15	452	512	136	149	586	15	544	268	266	553	923
15	403	455	079	182	762	15	453	495	128	083	128	15	545	099	206	256	795

APPENDIX A -- PRESSURE DATA:

MAIN PLACE HOTEL -- CONFIRMED PRESSURE DATA

WD	TAP	CPMEAN	CPRMS	CPMAX	CPMIN	WD	TAP	CPMEAN	CPRMS	CPMAX	CPMIN	WD	TAP	CPMEAN	CPRMS	CPMAX	CPMIN
15	546	-.907	.164	-.118	-1.488	15	641	-.188	.078	-.092	-.513	15	737	-.326	.129	-.123	-.923
15	547	-.800	.178	-.304	-1.634	15	642	-.053	.089	-.384	-.620	15	738	-.334	.157	-.305	-1.116
15	548	-.556	.106	-.246	-.962	15	643	-.057	.097	-.348	-.718	15	739	-.529	.161	-.081	-1.150
15	549	-.551	.140	-.153	-1.221	15	644	-.115	.133	-.349	-.639	15	740	-.287	.124	-.133	-.959
15	550	-.528	.102	-.228	-.914	15	645	-.145	.148	-.428	-.796	15	741	-.324	.169	-.360	-1.003
15	551	-.499	.107	-.170	-.947	15	646	-.217	.147	-.400	-.812	15	742	-.520	.164	-.102	-1.253
15	552	-.503	.086	-.233	-.856	15	647	-.061	.076	-.190	-.372	15	743	-.299	.129	-.118	-1.042
15	553	-.550	.091	-.263	-.924	15	648	-.036	.059	-.197	-.288	15	744	-.299	.139	-.105	-.962
15	554	-.563	.094	-.263	-.907	15	649	-.062	.064	-.137	-.409	15	745	-.321	.160	-.364	-.911
15	555	-.565	.125	-.233	-1.679	15	650	-.093	.080	-.195	-.506	15	746	-.460	.178	-.476	-1.203
15	601	-.251	.100	-.016	-.649	15	651	-.233	.088	-.128	-.596	15	747	-.161	.068	-.178	-.302
15	602	-.277	.100	-.009	-.704	15	652	-.066	.067	-.327	-.224	15	748	-.478	.046	-.340	-.614
15	603	-.278	.085	-.025	-.854	15	653	-.002	.065	-.333	-.162	30	1	-.389	.090	-.138	-.761
15	604	-.299	.089	-.005	-.616	15	654	-.013	.057	-.279	-.202	30	2	-.428	.096	-.175	-.126
15	605	-.285	.082	-.053	-.615	15	655	-.130	.056	-.103	-.318	30	3	-.299	.116	-.028	-.811
15	606	-.253	.086	-.014	-.546	15	701	-.552	.192	-.032	-1.635	30	4	-.297	.103	-.031	-.827
15	607	-.273	.086	-.022	-.646	15	702	-.467	.133	-.044	-1.114	30	5	-.271	.107	-.021	-.745
15	608	-.235	.067	-.032	-.542	15	703	-.481	.141	-.060	-1.166	30	6	-.267	.112	-.036	-.819
15	609	-.246	.061	-.037	-.454	15	704	-.575	.199	-.027	-1.609	30	7	-.265	.131	-.054	-.973
15	610	-.284	.076	-.043	-.592	15	705	-.593	.192	-.017	-1.387	30	8	-.294	.140	-.078	-1.022
15	611	-.269	.094	-.042	-.667	15	706	-.513	.187	-.015	-1.290	30	9	-.294	.143	-.085	-1.197
15	612	-.233	.072	-.027	-.648	15	707	-.490	.163	-.018	-.221	30	10	-.306	.151	-.081	-1.279
15	613	-.233	.062	-.078	-.539	15	708	-.604	.241	-.064	-2.040	30	11	-.335	.163	-.068	-1.320
15	614	-.271	.069	-.073	-.542	15	709	-.461	.183	-.061	-1.404	30	12	-.369	.177	-.082	-1.312
15	615	-.265	.097	-.014	-.662	15	710	-.467	.159	-.032	-1.596	30	13	-.402	.193	-.100	-1.233
15	616	-.524	.124	-.188	-1.151	15	711	-.571	.237	-.065	-1.865	30	14	-.425	.208	-.110	-1.133
15	617	-.518	.128	-.168	-1.142	15	712	-.432	.160	-.022	-1.387	30	15	-.459	.227	-.101	-1.400
15	618	-.492	.120	-.117	-.963	15	713	-.428	.122	-.037	-.931	30	16	-.543	.230	-.064	-1.389
15	619	-.424	.102	-.143	-.944	15	715	-.398	.130	-.000	-.853	30	17	-.613	.231	-.014	-1.520
15	620	-.344	.086	-.063	-.703	15	716	-.332	.102	-.027	-.734	30	18	-.681	.214	-.026	-1.459
15	621	-.299	.071	-.053	-.654	15	717	-.361	.114	-.012	-.736	30	19	-.777	.206	-.101	-2.340
15	622	-.280	.066	-.082	-.562	15	718	-.398	.135	-.010	-.854	30	20	-.570	.182	-.014	-1.422
15	623	-.264	.068	-.014	-.515	15	719	-.331	.093	-.048	-.716	30	21	-.044	.438	-.353	-2.890
15	624	-.439	.080	-.034	-.496	15	720	-.353	.106	-.017	-.840	30	22	-.298	.089	-.002	-.855
15	625	-.467	.094	-.184	-.850	15	721	-.369	.110	-.017	-.960	30	23	-.285	.096	-.100	-.823
15	626	-.495	.099	-.142	-.877	15	722	-.330	.093	-.064	-.705	30	24	-.258	.104	-.074	-.984
15	627	-.444	.113	-.016	-.926	15	723	-.334	.111	-.022	-.867	30	25	-.266	.110	-.082	-1.001
15	628	-.289	.097	-.052	-.673	15	724	-.345	.107	-.030	-.956	30	26	-.268	.130	-.097	-.937
15	629	-.239	.079	-.083	-.642	15	725	-.333	.104	-.019	-.768	30	27	-.273	.139	-.180	-.925
15	630	-.238	.067	-.030	-.599	15	726	-.329	.100	-.005	-.727	30	28	-.287	.152	-.194	-1.020
15	631	-.239	.060	-.039	-.515	15	727	-.360	.133	-.065	-1.255	30	29	-.322	.165	-.138	-1.104
15	632	-.212	.061	-.009	-.480	15	728	-.348	.115	-.034	-.951	30	30	-.362	.144	-.021	-.982
15	633	-.219	.069	-.012	-.497	15	729	-.342	.110	-.007	-.780	30	31	-.378	.190	-.081	-1.093
15	634	-.400	.123	-.078	-1.326	15	730	-.322	.115	-.002	-.879	30	32	-.400	.209	-.091	-1.095
15	635	-.421	.129	-.097	-1.269	15	731	-.506	.181	-.105	-1.606	30	33	-.441	.232	-.120	-1.372
15	636	-.361	.127	-.061	-.049	15	732	-.555	.187	-.041	-1.619	30	34	-.480	.243	-.130	-1.281
15	637	-.251	.105	-.212	-.675	15	733	-.598	.186	-.118	-1.535	30	35	-.540	.226	-.033	-1.371
15	638	-.205	.091	-.302	-.544	15	734	-.467	.170	-.051	-1.126	30	36	-.597	.217	-.036	-1.478
15	639	-.197	.076	-.256	-.473	15	735	-.476	.177	-.171	-.246	30	37	-.676	.204	-.063	-1.592
15	640	-.176	.072	-.116	-.483	15	736	-.546	.169	-.012	-1.289	30	38	-.754	.189	-.217	-1.660

APPENDIX A -- PRESSURE DATA:

MAIN PLACE HOTEL -- CONF. A -- DALLAS, TEXAS

WD	TAP	CPMEAN	CPRMS	CPMAX	CPMIN	WD	TAP	CPMEAN	CPRMS	CPMAX	CPMIN	WD	TAP	CPMEAN	CPRMS	CPMAX	CPMIN
30	39	.389	.089	-.168	-.764	30	89	.394	.166	.358	-.858	30	139	-.404	.151	.355	-.993
30	40	.418	.099	-.183	-.917	30	90	.365	.125	.186	-.728	30	140	-.404	.145	.307	-.905
30	41	.282	.086	-.021	-.726	30	91	.363	.110	.099	-.721	30	141	-.427	.131	.222	-.993
30	42	.265	.093	-.014	-.719	30	92	.324	.112	.211	-.722	30	142	-.375	.168	.045	-.884
30	43	.253	.102	-.087	-.701	30	93	.330	.116	.198	-.746	30	143	-.382	.098	-.057	-.734
30	44	.264	.110	-.125	-.775	30	94	.289	.112	.216	-.702	30	144	-.356	.101	.022	-.698
30	45	.250	.136	-.126	-.929	30	95	.395	.115	.127	-.844	30	145	-.365	.100	.029	-.671
30	46	.309	.146	-.103	-.917	30	96	.441	.143	-.007	-.973	30	146	-.322	.099	.017	-.626
30	47	.321	.170	-.143	-1.025	30	97	.488	.162	-.036	-1.106	30	147	-.384	.106	.026	-.831
30	48	.362	.185	-.082	-1.055	30	98	.458	.179	-.019	-1.085	30	148	-.413	.123	-.048	-.912
30	49	.383	.183	-.111	-1.138	30	99	.493	.192	-.039	-1.228	30	149	-.444	.134	-.060	-1.004
30	50	.410	.201	-.089	-1.341	30	100	.533	.222	-.052	-1.586	30	150	-.417	.143	.064	-1.127
30	51	.458	.226	-.094	-1.365	30	101	.591	.231	-.044	-1.715	30	151	-.457	.149	.018	-1.065
30	52	.502	.245	-.101	-1.432	30	102	.597	.210	-.028	-1.488	30	152	-.497	.188	-.007	-1.339
30	53	.511	.256	-.119	-1.631	30	103	.680	.208	-.118	-1.675	30	153	-.517	.187	-.054	-1.582
30	54	.542	.241	-.125	-1.425	30	104	.550	.307	-.089	-1.989	30	154	-.549	.171	-.063	-1.401
30	55	.622	.217	-.070	-1.489	30	105	.659	.435	-.453	-2.588	30	155	-.564	.167	-.121	-1.465
30	56	.693	.208	-.101	-1.674	30	106	.373	.093	-.064	-.863	30	156	-.536	.255	.097	-1.938
30	57	.729	.189	-.085	-1.646	30	107	.448	.124	-.147	-1.107	30	157	-.986	.385	.428	-2.369
30	58	.581	.273	-.189	-2.108	30	108	.305	.089	-.024	-.694	30	158	-.290	.079	-.058	-.879
30	59	.993	.422	-.532	-2.267	30	109	.369	.103	-.020	-.700	30	159	-.285	.068	.058	-.664
30	60	.295	.090	-.016	-.876	30	110	.269	.114	-.194	-.833	30	160	-.296	.093	.005	-.671
30	61	.232	.111	-.216	-.764	30	111	.326	.136	-.171	-.989	30	161	-.291	.088	.058	-.700
30	62	.228	.128	-.230	-.898	30	112	.326	.204	-.483	-1.092	30	162	-.299	.095	.178	-.842
30	63	.198	.207	-.532	-1.346	30	113	.364	.189	-.373	-1.006	30	163	-.300	.114	.267	-.734
30	64	.255	.236	-.645	-1.333	30	114	.367	.161	-.446	-.888	30	164	-.368	.164	.353	-1.223
30	65	.283	.211	-.590	-1.124	30	115	.418	.143	-.206	-.938	30	165	-.396	.154	.207	-1.319
30	66	.321	.187	-.405	-1.016	30	116	.404	.124	-.157	-.814	30	166	-.412	.148	.049	-1.237
30	67	.348	.161	-.249	-.947	30	117	.382	.108	-.022	-.753	30	167	-.396	.141	.276	-1.059
30	68	.331	.115	-.120	-.770	30	118	.329	.103	-.034	-.662	30	168	-.389	.123	.273	-.867
30	69	.289	.148	-.330	-.749	30	119	.355	.107	-.059	-.697	30	169	-.340	.100	.012	-.982
30	70	.270	.150	-.323	-.742	30	120	.336	.109	-.126	-.803	30	170	-.361	.112	.189	-.837
30	71	.291	.143	-.293	-.729	30	121	.339	.111	-.093	-.826	30	171	-.346	.091	-.009	-.810
30	72	.360	.142	-.094	-.883	30	122	.417	.126	-.090	-.882	30	172	-.352	.103	.040	-.910
30	73	.413	.167	-.040	-1.264	30	123	.474	.164	-.064	-1.083	30	173	-.372	.107	-.049	-.898
30	74	.434	.186	-.069	-1.348	30	124	.463	.178	-.013	-1.129	30	174	-.397	.115	-.037	-1.066
30	75	.468	.212	-.087	-1.254	30	125	.462	.178	-.011	-1.169	30	175	-.405	.118	-.060	-.847
30	76	.498	.214	-.064	-1.111	30	126	.482	.167	-.017	-1.204	30	176	-.421	.120	.038	-.858
30	77	.583	.235	-.109	-1.373	30	127	.544	.213	-.059	-1.773	30	177	-.444	.127	-.044	-.949
30	78	.597	.211	-.143	-1.484	30	128	.556	.183	-.037	-1.392	30	178	-.487	.135	.012	-1.092
30	79	.718	.167	-.079	-1.436	30	129	.591	.187	-.053	-1.413	30	179	-.468	.129	.026	-1.029
30	80	.390	.085	-.176	-.803	30	130	.481	.207	-.011	-1.554	30	180	-.485	.125	.118	-1.258
30	81	.454	.107	-.064	-.942	30	131	.968	.422	-.449	-2.696	30	181	-.493	.134	.123	-1.252
30	82	.271	.081	-.062	-.591	30	132	.355	.100	-.107	-1.079	30	182	-.514	.215	.061	-1.707
30	83	.273	.097	-.118	-.690	30	133	.370	.121	-.100	-1.100	30	183	-.951	.254	-.009	-1.846
30	84	.260	.116	-.141	-.705	30	134	.270	.092	-.111	-.662	30	184	-.352	.110	.036	-.929
30	85	.299	.140	-.227	-.798	30	135	.296	.102	-.088	-.712	30	185	-.392	.124	.035	-1.103
30	86	.241	.204	-.227	-.867	30	136	.294	.116	-.161	-.694	30	186	-.455	.144	-.023	-1.218
30	87	.310	.213	-.520	-.921	30	137	.330	.128	-.262	-.778	30	187	-.474	.145	.044	-1.107
30	88	.338	.199	-.407	-.899	30	138	.361	.170	-.363	-1.027	30	188	-.491	.143	.055	-1.268

APPENDIX A -- PRESSURE DATA:

MAIN PLACE HOTEL -- CONF. A -- DALLAS , TEXAS

WD	TAP	CPMEAN	CPRMS	CPMAX	CPMIN	WD	TAP	CPMEAN	CPRMS	CPMAX	CPMIN	WD	TAP	CPMEAN	CPRMS	CPMAX	CPMIN
30	189	314	.099	.074	-.966	30	323	.606	.207	1.254	-.078	30	373	.147	.097	.638	-.166
30	190	341	.102	.145	-.884	30	324	.566	.178	1.092	-.008	30	374	.132	.084	.515	-.135
30	191	397	.112	-.072	-.964	30	325	.446	.136	1.883	-.018	30	375	.034	.072	.213	-.312
30	192	455	.131	-.038	-.964	30	326	.348	.118	1.796	-.027	30	401	.336	.065	.152	-.657
30	193	460	.131	-.012	-1.008	30	327	.241	.104	1.566	-.096	30	402	.338	.068	.166	-.699
30	194	255	.055	-.005	-.447	30	328	.135	.087	1.422	-.220	30	403	.336	.070	.077	-.657
30	195	325	.083	-.046	-.669	30	329	.065	.079	1.327	-.276	30	404	.339	.072	.197	-.704
30	196	296	.100	-.019	-.711	30	330	.162	.060	1.030	-.377	30	405	.336	.077	.172	-.713
30	197	285	.088	-.026	-.617	30	331	.583	.225	1.333	-.273	30	406	.400	.078	.174	-.722
30	198	294	.085	-.049	-.587	30	332	.603	.207	1.277	-.149	30	407	.332	.078	.091	-.716
30	199	290	.081	-.000	-.606	30	333	.549	.180	1.121	-.089	30	408	.332	.082	.106	-.854
30	200	465	.138	-.043	-1.057	30	334	.491	.155	1.097	-.160	30	409	.332	.090	.162	-1.100
30	201	451	.129	-.096	-1.127	30	335	.309	.112	1.701	-.130	30	410	.331	.054	.120	-.507
30	202	494	.135	-.077	-1.045	30	336	.191	.086	1.495	-.109	30	411	.331	.056	.147	-.549
30	203	495	.134	-.158	-1.140	30	337	.100	.075	1.405	-.123	30	412	.336	.056	.153	-.888
30	204	524	.165	-.161	-1.149	30	338	.053	.074	1.405	-.237	30	413	.333	.060	.189	-.633
30	205	834	.226	-.051	-1.687	30	339	.011	.072	1.312	-.286	30	414	.334	.060	.140	-.592
30	206	247	.064	-.044	-.571	30	340	.108	.051	1.105	-.300	30	415	.337	.066	.165	-.613
30	207	250	.057	-.067	-.450	30	341	.596	.196	1.394	-.232	30	416	.336	.072	.187	-.699
30	208	277	.075	-.007	-.545	30	342	.568	.182	1.219	-.162	30	417	.415	.080	.210	-.822
30	209	281	.074	-.000	-.553	30	343	.466	.164	1.000	-.153	30	418	.336	.085	.138	-.885
30	210	284	.071	-.047	-.552	30	344	.356	.130	.821	-.078	30	419	.333	.051	.152	-.665
30	211	266	.068	-.007	-.636	30	345	.077	.067	1.365	-.176	30	420	.332	.051	.199	-.596
30	212	412	.139	-.109	-.967	30	346	.045	.057	1.197	-.335	30	421	.330	.049	.159	-.557
30	213	389	.120	-.093	-.928	30	347	.114	.065	1.171	-.421	30	422	.330	.047	.176	-.490
30	214	413	.117	-.103	-.940	30	348	.124	.064	1.167	-.359	30	423	.337	.049	.181	-.493
30	215	406	.115	-.067	-.868	30	349	.155	.059	1.087	-.368	30	424	.334	.057	.180	-.600
30	216	419	.143	-.019	-.891	30	350	.228	.066	1.007	-.480	30	425	.430	.068	.253	-.733
30	217	348	.235	1.062	-.562	30	351	.514	.179	1.329	-.039	30	426	.333	.076	.209	-.598
30	218	338	.191	.938	-.484	30	352	.485	.159	1.279	-.101	30	427	.427	.086	.203	-.888
30	219	329	.181	.903	-.546	30	353	.398	.140	1.246	-.051	30	428	.333	.051	.130	-.500
30	220	283	.151	.754	-.427	30	354	.322	.122	.822	-.037	30	429	.334	.050	.160	-.507
30	221	201	.124	.686	-.505	30	355	.006	.069	1.353	-.205	30	430	.291	.048	.127	-.452
30	222	161	.103	.566	-.161	30	356	.130	.072	1.187	-.369	30	431	.328	.050	.161	-.513
30	223	157	.101	.734	-.207	30	357	.135	.079	1.176	-.436	30	432	.346	.051	.142	-.585
30	224	142	.090	.481	-.175	30	358	.006	.083	1.337	-.260	30	433	.333	.058	.219	-.794
30	225	063	.081	.391	-.235	30	359	.247	.121	1.553	-.041	30	434	.336	.067	.178	-.828
30	226	437	.058	.072	-.345	30	360	.247	.094	.986	-.622	30	435	.424	.086	.203	-.955
30	227	437	.226	1.119	-.620	30	361	.385	.180	1.218	-.138	30	436	.449	.101	.198	-1.109
30	228	456	.199	1.074	-.291	30	362	.422	.148	1.009	-.032	30	437	.374	.075	.144	-.621
30	229	431	.180	.008	-.232	30	363	.346	.133	.667	-.067	30	438	.330	.073	.125	-.603
30	230	468	.157	.992	-.105	30	364	.237	.105	.619	-.081	30	439	.371	.077	.163	-.674
30	231	373	.123	.909	-.033	30	365	.015	.064	1.250	-.237	30	440	.337	.081	.171	-.744
30	232	307	.111	.841	-.078	30	366	.067	.064	1.822	-.297	30	441	.338	.081	.221	-.813
30	233	255	.102	.651	-.102	30	367	.028	.062	1.202	-.257	30	442	.367	.074	.167	-.879
30	234	206	.100	.510	-.220	30	368	.156	.090	1.156	-.126	30	443	.402	.077	.196	-.961
30	235	107	.091	.384	-.299	30	369	.109	.148	.510	-.579	30	444	.442	.098	.211	-1.282
30	236	147	.062	.111	-.377	30	370	.377	.157	1.024	-.045	30	445	.445	.117	.169	-1.051
30	237	568	.235	.406	-.314	30	371	.386	.166	1.010	-.099	30	446	.335	.090	.096	-.848
30	238	638	.223	1.404	-.125	30	372	.236	.127	.824	-.099	30	447	.366	.091	.123	-.890

APPENDIX A -- PRESSURE DATA:

MAIN PLACE HOTEL -- CONF. A -- DALLAS , TEXAS

WD	TAP	CP	ME	EAH	CPRMS	CPMAX	CPMIN	WD	TAP	CP	ME	EAH	CPRMS	CPMAX	CPMIN	WD	TAP	CP	ME	EAH	CPRMS	CPMAX	CPMIN
3300	448	33	33	33	.092	.148	.985	3300	540	125	026	-1.028	3300	635	-286	122	084	-1.011					
3300	449	33	33	33	.101	.080	-1.134	3300	541	126	095	-1.092	3300	636	058	128	430	-1.512					
3300	450	33	33	33	.098	.085	-1.148	3300	542	101	120	-1.091	3300	637	039	108	552	-1.288					
3300	451	33	33	33	.102	.147	-1.287	3300	543	084	138	-1.774	3300	638	020	108	496	-1.226					
3300	452	33	33	33	.104	.144	-1.282	3300	544	205	474	-1.995	3300	639	007	111	544	-1.242					
3300	453	33	33	33	.100	.153	-1.956	3300	545	233	304	-1.569	3300	640	016	106	496	-1.255					
3300	454	33	33	33	.098	.082	-1.881	3300	546	235	309	-1.566	3300	641	029	102	393	-1.300					
3300	455	33	33	33	.100	.107	-1.957	3300	547	216	066	-1.476	3300	642	117	085	185	-1.537					
3300	456	33	33	33	.099	.139	-1.899	3300	548	132	038	-1.985	3300	643	076	064	268	-1.340					
3300	457	33	33	33	.095	.014	-1.000	3300	549	118	050	-1.833	3300	644	052	067	201	-1.524					
3300	458	33	33	33	.087	.180	-1.797	3300	550	104	077	-1.897	3300	645	064	076	263	-1.615					
3300	501	33	33	33	.138	.134	-1.795	3300	551	121	091	-1.643	3300	646	146	092	176	-1.662					
3300	502	33	33	33	.142	.070	-1.590	3300	552	136	219	-1.880	3300	647	146	089	157	-1.531					
3300	503	33	33	33	.124	.137	-1.735	3300	553	108	154	-1.201	3300	648	059	050	109	-1.255					
3300	504	33	33	33	.132	.129	-1.953	3300	554	098	165	-1.850	3300	649	053	042	107	-1.207					
3300	505	33	33	33	.114	.069	-1.274	3300	555	122	140	-1.170	3300	650	057	042	106	-1.192					
3300	506	33	33	33	.121	.411	-1.645	3300	601	076	019	-1.202	3300	651	144	048	056	-1.316					
3300	507	33	33	33	.105	.146	-1.899	3300	602	078	069	-1.591	3300	652	051	054	141	-1.255					
3300	508	33	33	33	.132	.060	-1.071	3300	603	063	002	-1.529	3300	653	022	046	159	-1.161					
3300	509	33	33	33	.167	.009	-1.869	3300	604	049	073	-1.451	3300	654	021	047	161	-1.173					
3300	510	33	33	33	.222	.007	-2.298	3300	605	052	033	-1.447	3300	655	077	050	113	-1.235					
3300	511	33	33	33	.134	.011	-1.991	3300	606	068	017	-1.575	3300	701	331	117	061	-1.903					
3300	512	33	33	33	.136	.031	-1.091	3300	607	070	029	-1.668	3300	702	338	100	020	-1.927					
3300	513	33	33	33	.134	.047	-1.146	3300	608	060	007	-1.447	3300	703	399	127	055	-1.203					
3300	514	33	33	33	.118	.070	-1.976	3300	609	046	064	-1.395	3300	704	447	146	002	-1.129					
3300	515	33	33	33	.118	.037	-1.185	3300	610	050	081	-1.449	3300	705	480	153	027	-1.267					
3300	516	33	33	33	.206	.178	-1.360	3300	611	072	084	-1.501	3300	706	341	119	027	-1.975					
3300	517	33	33	33	.215	.016	-1.445	3300	612	059	007	-1.449	3300	707	364	128	041	-1.037					
3300	518	33	33	33	.326	.173	-2.534	3300	613	047	033	-1.374	3300	708	476	211	022	-1.714					
3300	519	33	33	33	.376	.461	-2.574	3300	614	051	052	-1.437	3300	709	310	104	010	-1.852					
3300	520	33	33	33	.175	.069	-1.184	3300	615	072	050	-1.630	3300	710	345	114	010	-1.956					
3300	521	33	33	33	.207	.065	-1.581	3300	616	101	105	-1.978	3300	711	345	194	084	-1.696					
3300	522	33	33	33	.203	.281	-1.210	3300	617	113	093	-1.628	3300	712	346	122	032	-1.019					
3300	523	33	33	33	.143	.288	-1.877	3300	618	107	104	-1.999	3300	713	308	087	015	-1.952					
3300	524	33	33	33	.139	.252	-1.830	3300	619	091	108	-1.723	3300	715	297	094	031	-1.811					
3300	525	33	33	33	.136	.107	-1.871	3300	620	079	002	-1.564	3300	716	266	071	017	-1.563					
3300	526	33	33	33	.114	.031	-1.937	3300	621	077	010	-1.550	3300	717	287	082	036	-1.702					
3300	527	33	33	33	.221	.016	-1.663	3300	622	083	012	-1.591	3300	718	295	088	037	-1.702					
3300	528	33	33	33	.236	.090	-1.797	3300	623	076	012	-1.446	3300	719	266	067	043	-1.592					
3300	529	33	33	33	.179	.090	-1.539	3300	624	075	028	-1.494	3300	720	290	078	032	-1.673					
3300	530	33	33	33	.259	.376	-1.435	3300	625	095	033	-1.821	3300	721	305	080	058	-1.740					
3300	531	33	33	33	.167	.133	-1.090	3300	626	099	066	-1.836	3300	722	274	066	051	-1.551					
3300	532	33	33	33	.119	.052	-1.838	3300	627	107	091	-1.793	3300	723	270	073	026	-1.740					
3300	533	33	33	33	.135	.059	-1.052	3300	628	088	180	-1.550	3300	724	283	080	024	-1.610					
3300	534	33	33	33	.104	.000	-1.764	3300	629	092	079	-1.676	3300	725	273	066	032	-1.553					
3300	535	33	33	33	.090	.068	-1.802	3300	630	094	021	-1.734	3300	726	267	068	005	-1.571					
3300	536	33	33	33	.187	.538	-1.235	3300	631	087	034	-1.647	3300	727	276	085	041	-1.676					
3300	537	33	33	33	.228	.427	-1.838	3300	632	069	033	-1.475	3300	728	251	076	024	-1.605					
3300	538	33	33	33	.244	.163	-1.497	3300	633	064	005	-1.462	3300	729	266	075	010	-1.655					
3300	539	33	33	33	.168	.105	-1.125	3300	634	103	126	-1.705	3300	730	289	086	014	-1.755					

APPENDIX A -- PRESSURE DATA:

MAIN PLACE HOTEL -- CONF. A -- DALLAS , TEXAS

WD	TAP	CPMEAN	CPRMS	CPMAX	CPMIN	WD	TAP	CPMEAN	CPRMS	CPMAX	CPMIN	WD	TAP	CPMEAN	CPRMS	CPMAX	CPMIN	
45	730					45	33	234	051	070	415	45	83	182	037	052	326	
45	731	460	140	059	-1.100	45	34	240	050	083	481	45	84	171	040	009	314	
45	732	419	158	190	-1.006	45	35	226	051	024	438	45	85	197	051	042	436	
45	733	464	146	179	-1.146	45	36	219	051	062	426	45	86	132	049	126	303	
45	734	307	138	141	-1.053	45	37	237	055	073	493	45	87	153	054	052	324	
45	735	286	168	380	-1.029	45	38	260	062	092	615	45	88	153	057	090	340	
45	736	443	151	192	-1.119	45	39	193	042	072	374	45	89	177	054	057	341	
45	737	252	091	070	-0.681	45	40	207	045	052	418	45	90	156	046	002	312	
45	738	200	142	307	-1.100	45	41	184	041	014	321	45	91	179	042	028	309	
45	739	420	165	167	-0.984	45	42	175	042	034	347	45	92	162	039	000	303	
45	740	207	086	167	-0.984	45	43	188	043	054	52	45	93	171	040	013	317	
45	741	163	155	446	-0.744	45	44	205	049	045	462	45	94	141	039	013	265	
45	742	369	161	337	-0.925	45	45	220	066	055	749	45	95	186	041	015	380	
45	743	212	091	093	-0.713	45	46	202	063	035	732	45	96	187	044	056	357	
45	744	189	108	180	-0.641	45	47	232	071	009	948	45	97	197	044	068	387	
45	745	172	154	503	-0.758	45	48	244	068	024	825	45	98	166	045	036	329	
45	746	246	176	431	-0.955	45	49	237	062	059	823	45	99	197	048	067	460	
45	747	174	043	274	-0.666	45	50	232	060	036	222	45	100	189	059	009	533	
45	748	349	037	227	-0.480	45	51	247	060	049	16	45	101	212	072	073	634	
45	1	205	046	076	-0.378	45	52	256	059	075	19	45	102	201	087	070	752	
45	2	204	048	057	-0.436	45	53	244	060	007	33	45	103	275	111	032	884	
45	3	187	046	031	-0.333	45	54	217	056	036	27	45	104	253	160	088	367	
45	4	196	046	024	-0.366	45	55	230	054	012	91	45	105	333	245	293	514	
45	5	194	043	036	-0.376	45	56	241	060	035	25	45	106	184	037	063	329	
45	6	188	044	036	-0.364	45	57	247	070	021	83	45	107	220	042	093	415	
45	7	198	045	019	-0.361	45	58	255	105	019	1	45	108	181	037	043	305	
45	8	211	045	071	-0.403	45	59	294	139	031	077	45	109	183	040	024	319	
45	9	217	049	048	-0.438	45	60	193	040	042	44	45	110	158	042	002	360	
45	10	213	050	031	-0.429	45	61	186	040	007	62	45	111	207	060	011	501	
45	11	224	051	045	-0.465	45	62	187	046	024	81	45	112	137	056	125	312	
45	12	236	053	057	-0.439	45	63	174	045	023	31	45	113	146	064	236	326	
45	13	232	051	086	-0.445	45	64	166	049	083	04	45	114	129	060	219	303	
45	14	225	051	079	-0.424	45	65	158	049	048	09	45	115	173	055	084	357	
45	15	234	051	056	-0.430	45	66	152	046	014	83	45	116	178	047	011	357	
45	16	247	053	012	-0.450	45	67	170	046	007	98	45	117	179	041	042	330	
45	17	245	055	052	-0.492	45	68	176	039	052	88	45	118	146	040	017	284	
45	18	240	058	043	-0.551	45	69	163	045	000	83	45	119	169	042	013	307	
45	19	256	063	080	-0.641	45	70	150	045	024	68	45	120	163	042	054	305	
45	20	275	081	097	-0.865	45	71	165	044	009	82	45	121	198	042	048	354	
45	21	283	105	102	-1.194	45	72	176	044	021	04	45	122	178	042	025	341	
45	22	192	041	042	-0.384	45	73	178	042	036	45	45	123	201	048	054	400	
45	23	188	040	021	-0.331	45	74	171	044	026	38	45	124	188	049	054	413	
45	24	182	041	010	-0.436	45	75	190	048	033	87	45	125	203	050	059	434	
45	25	195	044	002	-0.413	45	76	207	053	028	46	45	126	203	060	065	472	
45	26	208	047	009	-0.420	45	77	221	053	046	64	45	127	221	093	052	694	
45	27	205	054	067	-0.428	45	78	193	054	008	47	45	128	238	113	037	815	
45	28	201	055	034	-0.510	45	79	248	075	028	78	45	129	324	148	077	002	
45	29	215	056	035	-0.495	45	80	201	038	086	13	45	130	273	175	063	019	
45	30	213	046	058	-0.410	45	81	208	044	112	31	45	131	468	352	374	766	
45	31	229	054	053	-0.490	45	82	161	035	044	93	45	132	209	041	092	387	
45	32	225	052	038	-0.412													

APPENDIX A -- PRESSURE DATA:

MAIN PLACE HOTEL -- CONF. A -- DALLAS , TEXAS

WD	TAP	CP	MEAN	CPRMS	CP	MAX	CP	MIN	WD	TAP	CP	MEAN	CPRMS	CP	MAX	CP	MIN	WD	TAP	CP	MEAN	CPRMS	CP	MAX	CP	MIN
45	133	..	225	.043	..	099	..	418	45	183	..	514	.271	..	347	-1	620	45	317	..	022	.155	..	468	..	503
45	134	..	154	.035	..	021	..	305	45	184	..	194	.043	..	048	..	504	45	318	..	004	.138	..	443	..	493
45	135	..	180	.038	..	028	..	333	45	185	..	192	.048	..	037	..	396	45	319	..	031	.125	..	333	..	453
45	136	..	175	.044	..	013	..	300	45	186	..	207	.056	..	026	..	452	45	320	..	112	.084	..	189	..	451
45	137	..	211	.064	..	020	..	333	45	187	..	201	.065	..	016	..	564	45	321	..	070	.140	..	473	..	426
45	138	..	117	.065	..	234	..	333	45	188	..	210	.073	..	026	..	483	45	322	..	032	.138	..	548	..	402
45	139	..	140	.072	..	240	..	333	45	189	..	186	.040	..	035	..	354	45	323	..	024	.149	..	614	..	439
45	140	..	146	.073	..	178	..	333	45	190	..	192	.044	..	045	..	381	45	324	..	009	.152	..	510	..	398
45	141	..	177	.066	..	134	..	333	45	191	..	182	.051	..	012	..	378	45	325	..	041	.138	..	551	..	331
45	142	..	164	.052	..	059	..	333	45	192	..	196	.059	..	005	..	452	45	326	..	077	.131	..	666	..	347
45	143	..	185	.045	..	019	..	333	45	193	..	196	.070	..	047	..	475	45	327	..	050	.118	..	500	..	362
45	144	..	165	.044	..	006	..	333	45	194	..	192	.033	..	097	..	350	45	328	..	014	.102	..	405	..	352
45	145	..	172	.045	..	029	..	333	45	195	..	229	.037	..	114	..	399	45	329	..	014	.102	..	359	..	365
45	146	..	144	.043	..	021	..	333	45	196	..	184	.033	..	074	..	331	45	330	..	103	.058	..	105	..	345
45	147	..	196	.046	..	045	..	333	45	197	..	188	.036	..	068	..	403	45	331	..	119	.190	..	777	..	411
45	148	..	200	.031	..	022	..	333	45	198	..	202	.038	..	080	..	403	45	332	..	174	.191	..	861	..	328
45	149	..	207	.053	..	018	..	333	45	199	..	191	.039	..	075	..	436	45	333	..	191	.178	..	757	..	338
45	150	..	174	.056	..	032	..	333	45	200	..	230	.086	..	055	..	616	45	334	..	208	.166	..	649	..	322
45	151	..	207	.059	..	032	..	333	45	201	..	251	.094	..	069	..	721	45	335	..	084	.112	..	422	..	350
45	152	..	193	.071	..	031	..	333	45	202	..	299	.099	..	000	..	750	45	336	..	007	.095	..	336	..	428
45	153	..	211	.096	..	044	..	333	45	203	..	328	.102	..	026	..	930	45	337	..	048	.081	..	328	..	382
45	154	..	251	.123	..	080	..	333	45	204	..	391	.161	..	000	..	361	45	338	..	051	.065	..	215	..	324
45	155	..	331	.150	..	119	..	333	45	205	..	486	.198	..	138	..	499	45	339	..	073	.062	..	188	..	336
45	156	..	307	.233	..	326	..	333	45	206	..	168	.028	..	071	..	296	45	340	..	172	.066	..	094	..	412
45	157	..	511	.347	..	504	..	333	45	207	..	163	.028	..	072	..	298	45	341	..	282	.206	..	973	..	336
45	158	..	205	.039	..	052	..	333	45	208	..	172	.031	..	062	..	312	45	342	..	337	.196	..	051	..	336
45	159	..	191	.037	..	042	..	333	45	209	..	179	.034	..	047	..	310	45	343	..	316	.184	..	954	..	251
45	160	..	176	.031	..	045	..	333	45	210	..	191	.034	..	073	..	307	45	344	..	263	.146	..	838	..	258
45	161	..	181	.033	..	047	..	333	45	211	..	177	.033	..	051	..	326	45	345	..	013	.086	..	307	..	370
45	162	..	193	.035	..	073	..	333	45	212	..	212	.092	..	269	..	630	45	346	..	167	.097	..	174	..	541
45	163	..	189	.046	..	012	..	333	45	213	..	228	.088	..	084	..	607	45	347	..	227	.097	..	082	..	594
45	164	..	149	.059	..	119	..	333	45	214	..	270	.098	..	054	..	657	45	348	..	205	.082	..	053	..	454
45	165	..	145	.065	..	220	..	333	45	215	..	246	.097	..	077	..	767	45	349	..	191	.065	..	095	..	440
45	166	..	160	.064	..	158	..	333	45	216	..	310	.143	..	031	..	123	45	350	..	174	.054	..	041	..	361
45	167	..	157	.057	..	193	..	333	45	301	..	215	.096	..	268	..	475	45	351	..	224	.184	..	815	..	333
45	168	..	172	.049	..	119	..	333	45	302	..	215	.098	..	371	..	556	45	352	..	279	.182	..	885	..	272
45	169	..	143	.047	..	048	..	333	45	303	..	181	.111	..	352	..	606	45	353	..	275	.169	..	811	..	265
45	170	..	172	.042	..	026	..	333	45	304	..	176	.122	..	454	..	578	45	354	..	248	.146	..	821	..	244
45	171	..	152	.042	..	035	..	333	45	305	..	151	.134	..	464	..	564	45	355	..	022	.083	..	390	..	294
45	172	..	164	.045	..	076	..	333	45	306	..	131	.134	..	454	..	617	45	356	..	184	.091	..	129	..	546
45	173	..	180	.045	..	014	..	333	45	307	..	077	.155	..	408	..	725	45	357	..	203	.092	..	079	..	570
45	174	..	196	.047	..	057	..	333	45	308	..	070	.148	..	464	..	530	45	358	..	089	.081	..	162	..	386
45	175	..	187	.052	..	012	..	333	45	309	..	080	.144	..	398	..	578	45	359	..	256	.109	..	042	..	754
45	176	..	199	.054	..	002	..	333	45	310	..	109	.103	..	352	..	544	45	360	..	190	.069	..	030	..	509
45	177	..	206	.060	..	009	..	333	45	311	..	193	.110	..	399	..	470	45	361	..	208	.164	..	798	..	405
45	178	..	225	.080	..	021	..	333	45	312	..	161	.120	..	546	..	477	45	362	..	288	.168	..	183	..	354
45	179	..	240	.100	..	042	..	333	45	313	..	151	.133	..	596	..	526	45	363	..	262	.156	..	944	..	355
45	180	..	288	.120	..	086	..	333	45	314	..	088	.139	..	486	..	468	45	364	..	196	.123	..	647	..	256
45	181	..	371	.141	..	049	..	333	45	315	..	068	.140	..	458	..	413	45	365	..	043	.072	..	284	..	321
45	182	..	372	.235	..	201	..	333	45	316	..	042	.156	..	564	..	573	45	366	..	124	.073	..	110	..	454

APPENDIX A -- PRESSURE DATA:

MAIN PLACE HOTEL -- CONF. A -- DALLAS , TEXAS

WD	TAP	CPMEAN	CPRMS	CPMAX	CPMIN	WD	TAP	CPMEAN	CPRMS	CPMAX	CPMIN	WD	TAP	CPMEAN	CPRMS	CPMAX	CPMIN
45	367	.109	.039	.115	.338	45	442	.172	.030	.084	.342	45	6034	.2229	.079	.030	.691
45	368	.052	.083	.364	.221	45	443	.201	.030	.109	.365	45	6035	.2202	.083	.019	.595
45	369	.066	.123	.510	.452	45	444	.214	.032	.115	.375	45	6036	.2252	.135	.422	.829
45	370	.377	.158	1.144	.057	45	445	.233	.034	.131	.345	45	6037	.2294	.097	.010	.892
45	371	.358	.164	1.078	.101	45	446	.181	.045	.034	.347	45	6038	.2289	.071	.010	.590
45	372	.192	.120	.753	.175	45	447	.204	.044	.068	.375	45	6039	.2236	.065	.070	.549
45	373	.084	.084	.459	.179	45	448	.213	.039	.088	.370	45	6040	.2224	.063	.029	.552
45	374	.065	.072	.345	.164	45	449	.225	.039	.114	.357	45	6041	.2223	.071	.017	.745
45	375	.107	.071	.136	.406	45	450	.177	.036	.072	.291	45	6042	.2239	.087	.025	.795
45	401	.199	.074	.007	.541	45	451	.195	.036	.094	.310	45	6043	.2122	.087	.012	.605
45	402	.269	.075	.012	.554	45	452	.217	.035	.115	.333	45	6044	.2252	.133	.298	.908
45	403	.185	.072	.021	.554	45	453	.230	.035	.124	.355	45	6045	.2300	.126	.123	.846
45	404	.197	.065	.005	.606	45	454	.180	.033	.079	.299	45	6046	.2313	.107	.059	.904
45	405	.197	.061	.014	.670	45	455	.202	.034	.087	.341	45	6047	.2253	.098	.000	.402
45	406	.204	.054	.047	.712	45	456	.207	.034	.091	.355	45	6048	.2227	.087	.025	.758
45	407	.210	.049	.031	.414	45	457	.219	.030	.124	.322	45	6049	.2232	.076	.000	.699
45	408	.224	.049	.059	.480	45	458	.171	.029	.077	.279	45	6050	.2259	.104	.050	.870
45	409	.241	.052	.094	.538	45	501	.206	.029	.104	.339	45	6051	.2232	.114	.053	.953
45	410	.178	.061	.002	.438	45	502	.212	.039	.110	.356	45	6052	.2289	.134	.022	.217
45	411	.202	.063	.034	.494	45	503	.228	.036	.102	.350	45	6053	.2276	.122	.029	.949
45	412	.212	.059	.047	.482	45	504	.172	.046	.017	.402	45	6054	.2269	.110	.023	.815
45	413	.229	.056	.067	.499	45	505	.206	.049	.036	.444	45	6055	.2258	.142	.023	.091
45	414	.177	.048	.034	.378	45	506	.174	.062	.132	.485	45	6056	.142	.034	.000	.294
45	415	.202	.044	.075	.370	45	507	.220	.048	.072	.419	45	6057	.166	.031	.066	.270
45	416	.214	.040	.083	.348	45	508	.177	.060	.000	.477	45	6058	.183	.031	.066	.300
45	417	.239	.045	.089	.638	45	509	.194	.061	.034	.552	45	6059	.154	.030	.066	.290
45	418	.189	.046	.041	.621	45	510	.175	.064	.093	.526	45	6060	.170	.031	.050	.229
45	419	.192	.047	.056	.777	45	511	.224	.057	.050	.630	45	6061	.157	.031	.050	.265
45	420	.201	.047	.066	.382	45	512	.169	.054	.010	.438	45	6062	.169	.030	.053	.277
45	421	.220	.047	.077	.484	45	513	.179	.053	.123	.361	45	6063	.144	.027	.055	.235
45	422	.169	.041	.039	.371	45	514	.187	.048	.037	.362	45	6064	.155	.028	.074	.258
45	423	.196	.038	.080	.375	45	515	.205	.050	.037	.462	45	6065	.180	.031	.073	.297
45	424	.207	.035	.091	.322	45	516	.174	.052	.043	.537	45	6066	.171	.030	.066	.277
45	425	.228	.035	.127	.352	45	517	.201	.056	.027	.595	45	6067	.145	.029	.033	.264
45	426	.181	.033	.077	.320	45	518	.197	.051	.027	.421	45	6068	.150	.027	.049	.267
45	427	.206	.035	.090	.411	45	519	.188	.055	.072	.394	45	6069	.172	.028	.083	.287
45	428	.201	.042	.066	.370	45	520	.158	.043	.017	.442	45	6070	.165	.031	.050	.295
45	429	.216	.042	.079	.355	45	521	.178	.043	.010	.444	45	6071	.199	.052	.053	.517
45	430	.167	.039	.036	.313	45	522	.182	.046	.032	.335	45	6072	.199	.051	.066	.496
45	431	.192	.038	.068	.324	45	523	.145	.043	.022	.285	45	6073	.210	.042	.093	.429
45	432	.204	.036	.083	.328	45	524	.147	.043	.017	.292	45	6074	.211	.041	.099	.384
45	433	.224	.033	.122	.325	45	525	.219	.064	.076	.515	45	6075	.176	.043	.041	.322
45	434	.177	.030	.079	.326	45	526	.233	.085	.010	.746	45	6076	.178	.042	.056	.324
45	435	.203	.031	.099	.310	45	527	.275	.121	.073	.011	45	6077	.193	.039	.078	.363
45	436	.216	.031	.118	.323	45	528	.259	.068	.052	.581	45	6078	.186	.034	.089	.312
45	437	.223	.038	.117	.357	45	529	.250	.070	.056	.558	45	6079	.150	.034	.080	.268
45	438	.173	.036	.043	.296	45	530	.284	.074	.055	.676	45	6080	.184	.049	.034	.464
45	439	.199	.035	.102	.324	45	531	.225	.059	.063	.625	45	6081	.204	.048	.025	.404
45	440	.209	.033	.105	.328	45	532	.216	.062	.056	.337	45	6082	.202	.052	.022	.374
45	441	.224	.033	.124	.387	45	533	.213	.063	.022	.64	45	6083	.152	.046	.015	.339

APPENDIX A -- PRESSURE DATA:

MAIN PLACE HOTEL -- CONF. A -- DALLAS, TEXAS

WD	TAP	CPMEAN	CPRMS	CPMAX	CPMIN	WD	TAP	CPMEAN	CPRMS	CPMAX	CPMIN	WD	TAP	CPMEAN	CPRMS	CPMAX	CPMIN
45	629	156	.043	.005	.317	45	725	187	.033	.059	.319	60	27	109	.063	.145	.440
45	630	175	.043	.039	.355	45	726	188	.033	.094	.323	60	28	098	.063	.148	.411
45	631	183	.041	.037	.352	45	727	191	.035	.065	.358	60	29	110	.065	.152	.415
45	632	142	.034	.036	.273	45	728	173	.034	.047	.297	60	30	108	.059	.180	.348
45	633	141	.031	.044	.255	45	729	193	.037	.052	.343	60	31	120	.066	.279	.351
45	634	161	.053	.020	.402	45	730	184	.037	.033	.344	60	32	114	.063	.148	.336
45	635	181	.056	.000	.486	45	731	188	.111	.219	.740	60	33	126	.063	.118	.476
45	636	096	.055	.184	.283	45	732	169	.081	.100	.651	60	34	136	.059	.135	.353
45	637	065	.053	.218	.216	45	733	165	.094	.371	.526	60	35	136	.054	.206	.304
45	638	082	.047	.135	.235	45	734	187	.063	.047	.540	60	36	125	.051	.277	.301
45	639	100	.045	.141	.255	45	735	173	.071	.141	.554	60	37	144	.052	.302	.323
45	640	089	.037	.104	.215	45	736	203	.088	.198	.579	60	38	167	.054	.160	.390
45	641	097	.035	.059	.194	45	737	182	.044	.009	.407	60	39	146	.041	.007	.360
45	642	232	.106	.083	.711	45	738	183	.059	.021	.533	60	40	184	.055	.025	.496
45	643	191	.072	.020	.439	45	739	207	.082	.179	.585	60	41	117	.042	.070	.288
45	644	134	.051	.073	.387	45	740	165	.042	.021	.418	60	42	097	.045	.103	.273
45	645	119	.047	.042	.299	45	741	151	.055	.152	.435	60	43	105	.048	.104	.305
45	646	123	.050	.084	.328	45	742	197	.083	.101	.589	60	44	120	.053	.114	.348
45	647	247	.113	.012	.624	45	743	152	.041	.026	.435	60	45	125	.077	.166	.534
45	648	152	.064	.068	.486	45	744	159	.046	.068	.316	60	46	088	.079	.293	.409
45	649	127	.048	.017	.408	45	745	145	.065	.181	.451	60	47	128	.078	.199	.464
45	650	105	.042	.007	.353	45	746	136	.082	.257	.414	60	48	136	.078	.174	.434
45	651	115	.038	.028	.250	45	747	127	.038	.216	.028	60	49	122	.071	.147	.426
45	652	155	.065	.063	.430	45	748	177	.022	.085	.264	60	50	114	.069	.169	.385
45	653	113	.053	.064	.330	60	48	161	.045	.019	.374	60	51	130	.066	.108	.376
45	654	091	.049	.112	.286	60	22	174	.052	.019	.599	60	52	141	.064	.111	.348
45	655	082	.042	.084	.231	60	33	122	.050	.152	.369	60	53	138	.064	.192	.367
45	701	184	.038	.045	.364	60	44	125	.053	.130	.453	60	54	116	.053	.157	.277
45	702	174	.042	.033	.382	60	55	112	.050	.145	.358	60	55	129	.052	.115	.279
45	703	167	.052	.040	.349	60	66	102	.050	.136	.345	60	56	143	.054	.123	.309
45	704	156	.064	.107	.381	60	77	113	.062	.138	.510	60	57	152	.056	.110	.360
45	705	178	.089	.092	.751	60	88	126	.062	.107	.462	60	58	179	.072	.207	.451
45	706	189	.035	.042	.349	60	99	116	.066	.147	.466	60	59	188	.064	.136	.372
45	707	179	.046	.014	.376	60	10	108	.061	.204	.409	60	60	125	.046	.100	.311
45	708	187	.072	.037	.631	60	11	122	.066	.222	.339	60	61	099	.052	.176	.264
45	709	195	.036	.080	.333	60	12	136	.061	.167	.348	60	62	090	.058	.230	.289
45	710	203	.046	.052	.413	60	13	133	.061	.096	.356	60	63	073	.057	.245	.275
45	711	211	.064	.002	.595	60	14	125	.059	.150	.388	60	64	064	.060	.288	.290
45	712	185	.042	.044	.348	60	15	141	.050	.095	.446	60	65	056	.060	.302	.232
45	713	201	.046	.049	.547	60	16	156	.050	.104	.478	60	66	047	.055	.244	.209
45	715	180	.032	.074	.297	60	17	146	.050	.176	.288	60	67	063	.053	.222	.217
45	716	170	.035	.079	.423	60	18	138	.052	.132	.282	60	68	069	.046	.158	.204
45	717	192	.032	.106	.326	60	19	159	.050	.136	.362	60	69	060	.051	.183	.213
45	718	188	.031	.087	.318	60	20	204	.050	.067	.608	60	70	048	.050	.188	.188
45	719	179	.035	.067	.421	60	21	185	.050	.084	.393	60	71	063	.050	.185	.203
45	720	174	.035	.070	.313	60	22	128	.047	.146	.316	60	72	075	.049	.137	.234
45	721	199	.038	.094	.359	60	23	111	.052	.110	.484	60	73	069	.049	.140	.204
45	722	184	.032	.085	.299	60	24	098	.050	.172	.501	60	74	062	.049	.148	.212
45	723	187	.035	.067	.356	60	25	111	.050	.132	.524	60	75	083	.052	.150	.265
45	724	174	.038	.049	.332	60	26	120	.062	.160	.469	60	76	103	.054	.132	.283

APPENDIX A -- PRESSURE DATA:

MAIN PLACE HOTEL -- CONF. A -- DALLAS, TEXAS

WD	TAP	CPMEAN	CPRMS	CPMAX	CPMIN	WD	TAP	CPMEAN	CPRMS	CPMAX	CPMIN	WD	TAP	CPMEAN	CPRMS	CPMAX	CPMIN
60	77	.115	.054	.122	.264	60	127	.094	.060	.144	.419	60	177	.096	.037	.045	.228
60	78	.102	.050	.136	.263	60	128	.092	.067	.232	.368	60	178	.107	.039	.057	.241
60	79	.151	.054	.109	.344	60	129	.111	.100	.363	.655	60	179	.104	.046	.140	.256
60	80	.148	.034	.045	.309	60	130	.055	.076	.287	.276	60	180	.113	.054	.150	.285
60	81	.171	.048	.060	.459	60	131	.081	.110	.406	.545	60	181	.167	.096	.254	.600
60	82	.088	.041	.098	.231	60	132	.142	.030	.050	.284	60	182	.075	.094	.356	.545
60	83	.096	.046	.121	.235	60	133	.142	.030	.039	.289	60	183	.027	.111	.324	.675
60	84	.086	.049	.175	.298	60	134	.102	.029	.018	.191	60	184	.146	.034	.019	.306
60	85	.090	.055	.216	.303	60	135	.126	.032	.014	.235	60	185	.149	.040	.005	.316
60	86	.042	.052	.234	.225	60	136	.117	.036	.030	.252	60	186	.151	.048	.041	.363
60	87	.060	.051	.148	.223	60	137	.139	.050	.044	.377	60	187	.131	.059	.012	.611
60	88	.064	.051	.170	.202	60	138	.062	.049	.182	.200	60	188	.112	.052	.024	.398
60	89	.064	.048	.124	.202	60	139	.075	.054	.239	.226	60	189	.134	.033	.014	.233
60	90	.053	.044	.122	.185	60	140	.077	.052	.218	.268	60	190	.137	.033	.000	.275
60	91	.073	.041	.073	.192	60	141	.085	.048	.115	.264	60	191	.120	.040	.009	.257
60	92	.065	.045	.091	.220	60	142	.079	.042	.076	.265	60	192	.116	.043	.019	.277
60	93	.059	.045	.119	.211	60	143	.099	.039	.021	.230	60	193	.102	.044	.040	.306
60	94	.046	.043	.120	.200	60	144	.086	.040	.073	.202	60	194	.153	.030	.060	.291
60	95	.079	.044	.105	.230	60	145	.082	.040	.083	.211	60	195	.181	.031	.072	.301
60	96	.082	.047	.202	.234	60	146	.068	.039	.085	.198	60	196	.139	.030	.036	.302
60	97	.080	.047	.154	.234	60	147	.105	.039	.036	.244	60	197	.140	.031	.043	.254
60	98	.068	.047	.136	.251	60	148	.106	.041	.027	.254	60	198	.145	.032	.043	.299
60	99	.095	.048	.116	.310	60	149	.102	.040	.028	.241	60	199	.140	.032	.026	.313
60	100	.089	.049	.157	.245	60	150	.085	.039	.040	.256	60	200	.100	.055	.096	.277
60	101	.090	.051	.154	.292	60	151	.109	.039	.011	.244	60	201	.069	.065	.167	.311
60	102	.084	.054	.142	.318	60	152	.093	.048	.101	.253	60	202	.144	.055	.029	.356
60	103	.125	.069	.201	.536	60	153	.090	.054	.119	.266	60	203	.185	.076	.062	.580
60	104	.131	.084	.257	.473	60	154	.089	.063	.184	.373	60	204	.137	.076	.171	.644
60	105	.151	.095	.233	.436	60	155	.131	.116	.353	.734	60	205	.126	.129	.342	.883
60	106	.125	.030	.033	.234	60	156	.037	.104	.532	.719	60	206	.124	.026	.031	.222
60	107	.164	.036	.066	.378	60	157	.015	.127	.437	.638	60	207	.124	.029	.033	.249
60	108	.114	.035	.036	.264	60	158	.163	.030	.062	.301	60	208	.115	.027	.027	.205
60	109	.099	.040	.083	.248	60	159	.159	.031	.064	.306	60	209	.113	.031	.005	.204
60	110	.083	.042	.125	.258	60	160	.132	.028	.027	.234	60	210	.121	.033	.012	.222
60	111	.120	.054	.121	.260	60	161	.131	.029	.014	.240	60	211	.118	.034	.007	.239
60	112	.074	.051	.173	.236	60	162	.136	.031	.014	.258	60	212	.089	.035	.128	.265
60	113	.060	.056	.285	.232	60	163	.143	.032	.033	.284	60	213	.109	.032	.119	.346
60	114	.048	.054	.218	.218	60	164	.108	.040	.191	.222	60	214	.132	.057	.127	.399
60	115	.076	.053	.205	.244	60	165	.096	.041	.192	.206	60	215	.130	.055	.081	.377
60	116	.072	.048	.220	.216	60	166	.098	.040	.081	.225	60	216	.144	.066	.106	.441
60	117	.067	.043	.193	.193	60	167	.083	.047	.144	.237	60	301	.208	.068	.079	.550
60	118	.050	.042	.154	.169	60	168	.088	.046	.150	.248	60	302	.196	.053	.019	.439
60	119	.070	.044	.155	.187	60	169	.065	.044	.106	.204	60	303	.179	.053	.114	.568
60	120	.069	.042	.109	.186	60	170	.087	.045	.146	.253	60	304	.175	.053	.087	.371
60	121	.079	.041	.060	.207	60	171	.083	.039	.111	.199	60	305	.162	.053	.019	.346
60	122	.074	.041	.051	.220	60	172	.086	.041	.109	.200	60	306	.156	.049	.019	.332
60	123	.097	.043	.039	.276	60	173	.090	.040	.088	.211	60	307	.135	.053	.135	.464
60	124	.094	.048	.068	.286	60	174	.094	.038	.076	.210	60	308	.140	.053	.068	.405
60	125	.093	.046	.069	.345	60	175	.089	.038	.062	.242	60	309	.137	.052	.071	.448
60	126	.072	.048	.109	.245	60	176	.093	.037	.058	.246	60	310	.118	.056	.079	.488

APPENDIX A -- PRESSURE DATA:

MAIN PLACE HOTEL -- CONF. A -- DALLAS , TEXAS

WD	TAP	CPMEAN	CPRMS	CPMAX	CPMIN	WD	TAP	CPMEAN	CPRMS	CPMAX	CPMIN	WD	TAP	CPMEAN	CPRMS	CPMAX	CPMIN
60	311	.211	.071	.047	.561	60	361	.135	.123	.339	.682	60	436	.155	.029	.064	.246
60	312	.200	.069	.032	.560	60	362	.082	.090	.539	.445	60	437	.159	.033	.028	.270
60	313	.197	.068	.022	.501	60	363	.093	.084	.379	.369	60	438	.115	.032	.005	.225
60	314	.151	.063	.139	.423	60	364	.099	.078	.420	.405	60	439	.139	.031	.016	.255
60	315	.152	.060	.081	.377	60	365	.139	.058	.113	.378	60	440	.143	.030	.044	.246
60	316	.138	.063	.124	.381	60	366	.133	.050	.024	.325	60	441	.161	.029	.044	.270
60	317	.137	.061	.128	.341	60	367	.141	.046	.012	.328	60	442	.116	.028	.018	.207
60	318	.108	.060	.281	.337	60	368	.090	.062	.146	.303	60	443	.142	.029	.018	.232
60	319	.118	.058	.222	.345	60	369	.017	.088	.353	.322	60	444	.153	.029	.062	.244
60	320	.130	.050	.146	.391	60	370	.001	.110	.507	.322	60	445	.169	.028	.072	.270
60	321	.259	.110	.120	.775	60	371	.033	.107	.463	.322	60	446	.121	.029	.002	.216
60	322	.194	.091	.111	.567	60	372	.069	.088	.439	.306	60	447	.143	.029	.036	.239
60	323	.185	.082	.099	.534	60	373	.094	.073	.280	.302	60	448	.150	.028	.055	.244
60	324	.171	.073	.257	.471	60	374	.074	.066	.231	.276	60	449	.161	.030	.051	.294
60	325	.155	.064	.120	.393	60	375	.117	.049	.099	.273	60	450	.116	.028	.035	.149
60	326	.117	.066	.214	.351	60	401	.138	.049	.024	.408	60	451	.132	.029	.032	.239
60	327	.119	.063	.192	.362	60	402	.147	.048	.012	.383	60	452	.150	.029	.055	.251
60	328	.117	.058	.180	.361	60	403	.121	.042	.012	.260	60	453	.162	.029	.056	.249
60	329	.119	.055	.123	.405	60	404	.133	.040	.020	.255	60	454	.118	.028	.030	.205
60	330	.108	.046	.120	.284	60	405	.137	.039	.005	.269	60	455	.139	.028	.036	.330
60	331	.219	.141	.212	.931	60	406	.147	.039	.000	.368	60	456	.146	.028	.060	.307
60	332	.180	.111	.267	.689	60	407	.153	.040	.041	.335	60	457	.163	.028	.072	.268
60	333	.161	.090	.312	.601	60	408	.165	.041	.046	.359	60	458	.122	.027	.025	.216
60	334	.118	.084	.245	.476	60	409	.176	.045	.042	.494	60	459	.146	.027	.055	.248
60	335	.127	.070	.163	.426	60	410	.122	.043	.005	.273	60	460	.162	.028	.083	.262
60	336	.137	.062	.119	.383	60	411	.147	.043	.020	.310	60	461	.167	.030	.054	.298
60	337	.137	.057	.123	.368	60	412	.157	.040	.037	.350	60	462	.129	.029	.018	.207
60	338	.106	.049	.072	.327	60	413	.168	.038	.021	.298	60	463	.148	.034	.002	.303
60	339	.107	.048	.126	.350	60	414	.127	.036	.030	.261	60	464	.156	.036	.041	.297
60	340	.132	.040	.009	.311	60	415	.149	.037	.011	.285	60	465	.111	.039	.026	.242
60	341	.193	.136	.361	.832	60	416	.160	.037	.016	.311	60	466	.071	.047	.098	.296
60	342	.104	.104	.414	.628	60	417	.176	.040	.056	.378	60	467	.096	.047	.046	.355
60	343	.099	.098	.596	.623	60	418	.133	.040	.018	.343	60	468	.091	.046	.099	.276
60	344	.091	.102	.662	.388	60	419	.142	.036	.027	.301	60	469	.118	.046	.026	.380
60	345	.134	.073	.258	.390	60	420	.153	.036	.035	.320	60	470	.077	.047	.066	.389
60	346	.149	.061	.096	.481	60	421	.167	.036	.058	.305	60	471	.090	.044	.125	.237
60	347	.172	.059	.012	.473	60	422	.121	.031	.020	.232	60	472	.096	.043	.062	.235
60	348	.157	.048	.000	.473	60	423	.143	.029	.027	.241	60	473	.107	.046	.098	.268
60	349	.149	.041	.010	.351	60	424	.152	.028	.035	.260	60	474	.078	.052	.159	.250
60	350	.114	.037	.000	.274	60	425	.169	.030	.061	.275	60	475	.095	.053	.166	.271
60	351	.157	.143	.682	.717	60	426	.124	.030	.007	.239	60	476	.097	.051	.159	.290
60	352	.111	.097	.589	.483	60	427	.149	.032	.018	.266	60	477	.101	.060	.189	.448
60	353	.107	.086	.579	.429	60	428	.147	.034	.041	.283	60	478	.061	.047	.141	.250
60	354	.086	.075	.363	.351	60	429	.162	.034	.042	.319	60	479	.073	.048	.116	.271
60	355	.127	.060	.234	.325	60	430	.119	.031	.007	.230	60	480	.079	.053	.198	.286
60	356	.157	.051	.012	.383	60	431	.138	.029	.030	.246	60	481	.043	.050	.224	.193
60	357	.164	.049	.027	.380	60	432	.147	.028	.051	.237	60	482	.049	.049	.221	.194
60	358	.109	.046	.060	.262	60	433	.164	.028	.072	.259	60	483	.145	.070	.381	.491
60	359	.165	.050	.010	.451	60	434	.124	.027	.032	.216	60	484	.168	.052	.072	.350
60	360	.141	.041	.005	.415	60	435	.147	.028	.055	.241	60	485	.156	.057	.239	.439

APPENDIX A -- PRESSURE DATA:

MAIN PLACE HOTEL -- CONF. A -- DALLAS, TEXAS

WD	TAP	CPMEAN	CPRMS	CPMAX	CPMIN	WD	TAP	CPMEAN	CPRMS	CPMAX	CPMIN	WD	TAP	CPMEAN	CPRMS	CPMAX	CPMIN
60	528	.185	.046	.088	.355	60	623	.153	.031	.047	.277	60	719	.120	.027	.033	.214
60	529	.172	.064	.496	.416	60	624	.123	.034	.000	.292	60	720	.121	.029	.028	.223
60	530	.194	.052	.183	.371	60	625	.086	.032	.025	.233	60	721	.145	.030	.049	.246
60	531	.147	.063	.244	.362	60	626	.102	.033	.005	.240	60	722	.132	.028	.028	.236
60	532	.146	.069	.301	.519	60	627	.116	.033	.002	.248	60	723	.131	.029	.021	.223
60	533	.158	.056	.112	.753	60	628	.090	.034	.055	.205	60	724	.123	.031	.024	.240
60	534	.164	.047	.054	.384	60	629	.107	.034	.000	.257	60	725	.132	.027	.023	.213
60	535	.131	.047	.031	.277	60	630	.134	.034	.029	.279	60	726	.133	.027	.016	.221
60	536	.158	.062	.081	.390	60	631	.147	.034	.040	.270	60	727	.124	.036	.026	.221
60	537	.182	.052	.022	.567	60	632	.120	.034	.017	.239	60	728	.116	.031	.005	.237
60	538	.199	.058	.183	.394	60	633	.124	.032	.027	.247	60	729	.137	.032	.019	.279
60	539	.159	.063	.174	.374	60	634	.097	.032	.015	.230	60	730	.131	.031	.042	.253
60	540	.154	.071	.152	.507	60	635	.106	.032	.002	.238	60	731	.055	.068	.257	.325
60	541	.164	.049	.002	.440	60	636	.076	.029	.022	.178	60	732	.095	.049	.112	.305
60	542	.170	.045	.025	.314	60	637	.090	.031	.005	.206	60	733	.046	.074	.275	.232
60	543	.134	.046	.010	.294	60	638	.116	.031	.015	.240	60	734	.117	.043	.049	.255
60	544	.160	.062	.066	.571	60	639	.133	.031	.027	.245	60	735	.104	.047	.146	.240
60	545	.179	.058	.002	.455	60	640	.110	.036	.010	.246	60	736	.078	.058	.179	.256
60	546	.200	.054	.047	.438	60	641	.123	.037	.007	.296	60	737	.121	.034	.028	.260
60	547	.159	.053	.159	.342	60	642	.171	.045	.051	.401	60	738	.117	.037	.101	.263
60	548	.153	.057	.169	.348	60	643	.166	.040	.047	.312	60	739	.092	.054	.134	.254
60	549	.162	.065	.186	.531	60	644	.138	.036	.007	.272	60	740	.118	.031	.047	.235
60	550	.172	.056	.213	.376	60	645	.124	.035	.005	.304	60	741	.096	.037	.033	.244
60	551	.143	.055	.041	.424	60	646	.103	.036	.000	.249	60	742	.080	.056	.148	.241
60	552	.158	.061	.022	.767	60	647	.160	.037	.014	.645	60	743	.107	.031	.017	.240
60	553	.165	.061	.032	.628	60	648	.145	.033	.047	.340	60	744	.115	.031	.002	.214
60	554	.180	.064	.015	.488	60	649	.131	.035	.019	.290	60	745	.094	.035	.051	.205
60	555	.135	.062	.036	.398	60	650	.105	.033	.000	.344	60	746	.070	.044	.123	.216
60	601	.107	.029	.005	.223	60	651	.087	.033	.028	.280	60	747	.212	.044	.302	.115
60	602	.125	.029	.020	.218	60	652	.144	.037	.033	.314	60	748	.074	.023	.019	.141
60	603	.141	.029	.030	.240	60	653	.123	.034	.026	.245	75	1	.259	.073	.022	.565
60	604	.127	.027	.028	.232	60	654	.105	.031	.000	.244	75	2	.345	.107	.072	.865
60	605	.128	.029	.022	.235	60	655	.077	.032	.024	.216	75	3	.015	.122	.443	.419
60	606	.122	.029	.000	.222	60	701	.131	.031	.005	.251	75	4	.020	.135	.593	.377
60	607	.129	.029	.027	.238	60	702	.127	.036	.061	.264	75	5	.050	.145	.607	.395
60	608	.102	.027	.002	.188	60	703	.108	.044	.063	.258	75	6	.058	.148	.672	.408
60	609	.114	.027	.012	.206	60	704	.089	.044	.140	.268	75	7	.086	.146	.668	.428
60	610	.142	.029	.046	.330	60	705	.111	.076	.319	.717	75	8	.068	.144	.667	.383
60	611	.122	.028	.017	.220	60	706	.132	.029	.031	.231	75	9	.064	.149	.719	.339
60	612	.094	.027	.005	.193	60	707	.110	.035	.037	.288	75	10	.054	.146	.752	.392
60	613	.108	.026	.015	.198	60	708	.142	.066	.059	.566	75	11	.066	.139	.745	.408
60	614	.127	.027	.034	.225	60	709	.134	.033	.042	.244	75	12	.052	.137	.595	.329
60	615	.118	.027	.012	.218	60	710	.134	.033	.061	.342	75	13	.031	.138	.587	.509
60	616	.084	.033	.031	.203	60	711	.133	.050	.007	.425	75	14	.025	.132	.595	.389
60	617	.094	.034	.020	.223	60	712	.132	.034	.014	.304	75	15	.047	.125	.503	.331
60	618	.115	.033	.012	.235	60	713	.138	.034	.033	.356	75	16	.019	.119	.482	.366
60	619	.131	.032	.020	.243	60	715	.124	.029	.028	.228	75	17	.022	.121	.547	.292
60	620	.106	.031	.017	.203	60	716	.124	.029	.017	.235	75	18	.022	.119	.516	.274
60	621	.121	.030	.002	.221	60	717	.138	.027	.033	.234	75	19	.046	.132	.542	.419
60	622	.143	.030	.049	.254	60	718	.137	.027	.045	.252	75	20	.068	.182	.747	.482

APPENDIX A -- PRESSURE DATA:

MAIN PLACE HOTEL -- CONF. A -- DALLAS , TEXAS

WD	TAP	CPMEAN	CPRMS	CPMAX	CPMIN	WD	TAP	CPMEAN	CPRMS	CPMAX	CPMIN	WD	TAP	CPMEAN	CPRMS	CPMAX	CPMIN
75	21	.006	.203	.902	.516	75	71	.103	.099	.570	.181	75	121	.029	.065	.292	.307
75	22	.031	.135	.373	.388	75	72	.055	.094	.477	.292	75	122	.000	.062	.250	.291
75	23	.009	.135	.578	.507	75	73	.027	.109	.589	.578	75	123	.010	.067	.263	.329
75	24	.047	.149	.695	.453	75	74	.020	.100	.518	.442	75	124	.001	.067	.355	.281
75	25	.080	.151	.659	.376	75	75	.043	.098	.544	.434	75	125	.024	.065	.294	.272
75	26	.091	.151	.665	.390	75	76	.023	.101	.499	.608	75	126	.028	.058	.328	.131
75	27	.076	.147	.667	.348	75	77	.013	.088	.350	.253	75	127	.010	.073	.419	.207
75	28	.073	.141	.645	.358	75	78	.065	.085	.404	.179	75	128	.028	.081	.372	.288
75	29	.085	.133	.657	.322	75	79	.034	.119	.463	.541	75	129	.030	.137	.501	.693
75	30	.020	.104	.447	.251	75	80	.214	.062	.014	.486	75	130	.150	.135	.633	.234
75	31	.065	.137	.663	.301	75	81	.301	.099	.075	.825	75	131	.079	.200	.703	.475
75	32	.055	.133	.670	.358	75	82	.063	.079	.248	.293	75	132	.192	.054	.016	.521
75	33	.073	.123	.683	.389	75	83	.036	.093	.357	.263	75	133	.243	.060	.078	.538
75	34	.069	.118	.604	.325	75	84	.012	.096	.519	.519	75	134	.072	.048	.154	.211
75	35	.046	.116	.585	.308	75	85	.063	.128	.550	.599	75	135	.072	.056	.209	.223
75	36	.041	.114	.577	.385	75	86	.099	.103	.573	.197	75	136	.055	.061	.295	.248
75	37	.066	.111	.579	.348	75	87	.101	.113	.600	.195	75	137	.113	.086	.348	.414
75	38	.052	.139	.619	.582	75	88	.101	.116	.746	.175	75	138	.030	.074	.500	.234
75	39	.269	.069	.025	.645	75	89	.052	.109	.798	.294	75	139	.024	.079	.388	.209
75	40	.296	.108	.013	.636	75	90	.066	.090	.472	.220	75	140	.029	.075	.358	.185
75	41	.043	.115	.480	.395	75	91	.048	.080	.447	.212	75	141	.016	.070	.302	.241
75	42	.002	.133	.604	.358	75	92	.069	.081	.458	.140	75	142	.017	.060	.284	.174
75	43	.066	.147	.672	.313	75	93	.050	.085	.460	.165	75	143	.004	.056	.280	.160
75	44	.071	.156	.686	.349	75	94	.088	.079	.502	.110	75	144	.014	.057	.262	.192
75	45	.072	.160	.661	.417	75	95	.012	.075	.320	.209	75	145	.009	.059	.253	.221
75	46	.093	.140	.668	.382	75	96	.000	.079	.414	.337	75	146	.033	.056	.296	.167
75	47	.094	.145	.709	.591	75	97	.020	.074	.319	.700	75	147	.011	.055	.249	.209
75	48	.077	.142	.665	.466	75	98	.030	.072	.314	.362	75	148	.022	.058	.206	.245
75	49	.068	.138	.645	.411	75	99	.007	.072	.270	.308	75	149	.039	.055	.168	.236
75	50	.055	.133	.573	.500	75	100	.032	.068	.348	.175	75	150	.007	.051	.186	.197
75	51	.070	.126	.629	.402	75	101	.012	.075	.350	.212	75	151	.013	.050	.160	.176
75	52	.058	.123	.702	.366	75	102	.065	.079	.387	.172	75	152	.036	.051	.193	.193
75	53	.058	.119	.835	.377	75	103	.009	.128	.456	.576	75	153	.037	.055	.214	.216
75	54	.047	.110	.709	.303	75	104	.139	.175	.750	.589	75	154	.031	.061	.257	.232
75	55	.067	.105	.639	.296	75	105	.065	.230	.810	.555	75	155	.050	.102	.258	.489
75	56	.068	.109	.527	.318	75	106	.182	.054	.007	.502	75	156	.045	.118	.550	.295
75	57	.057	.136	.462	.589	75	107	.243	.072	.063	.640	75	157	.006	.139	.487	.551
75	58	.143	.201	.822	.550	75	108	.095	.059	.173	.306	75	158	.187	.046	.030	.480
75	59	.104	.245	.905	.616	75	109	.079	.072	.324	.285	75	159	.215	.054	.039	.575
75	60	.050	.115	.536	.366	75	110	.017	.075	.365	.220	75	160	.116	.035	.063	.248
75	61	.059	.150	.643	.328	75	111	.069	.106	.341	.527	75	161	.101	.038	.064	.241
75	62	.061	.163	.713	.378	75	112	.054	.092	.554	.908	75	162	.098	.040	.072	.230
75	63	.150	.149	.821	.244	75	113	.053	.105	.630	.221	75	163	.107	.044	.142	.305
75	64	.141	.138	.789	.299	75	114	.083	.095	.649	.183	75	164	.050	.057	.275	.205
75	65	.121	.132	.779	.246	75	115	.035	.089	.623	.249	75	165	.028	.062	.275	.182
75	66	.095	.124	.625	.238	75	116	.025	.078	.568	.241	75	166	.026	.061	.260	.181
75	67	.101	.115	.629	.166	75	117	.008	.071	.477	.197	75	167	.018	.062	.332	.167
75	68	.093	.090	.492	.124	75	118	.061	.066	.385	.112	75	168	.020	.061	.328	.185
75	69	.091	.105	.585	.196	75	119	.045	.070	.404	.139	75	169	.030	.061	.352	.129
75	70	.091	.106	.589	.206	75	120	.038	.066	.311	.150	75	170	.020	.061	.366	.158

APPENDIX A -- PRESSURE DATA:

MAIN PLACE HOTEL -- CONF. A -- DALLAS, TEXAS

WD	TAP	CPMEAN	CPRMS	CPMAX	CPMIN	WD	TAP	CPMEAN	CPRMS	CPMAX	CPMIN	WD	TAP	CPMEAN	CPRMS	CPMAX	CPMIN
75	171	.007	.057	.263	.155	75	305	.151	.060	.108	.445	75	355	.144	.040	.019	.312
75	172	.011	.060	.290	.198	75	306	.139	.049	.017	.386	75	356	.142	.036	.010	.286
75	173	.016	.057	.224	.194	75	307	.137	.053	.047	.378	75	357	.144	.033	.002	.273
75	174	.021	.053	.203	.195	75	308	.158	.043	.023	.350	75	358	.123	.037	.010	.252
75	175	.024	.050	.167	.187	75	309	.152	.040	.020	.342	75	359	.172	.040	.051	.356
75	176	.029	.046	.140	.170	75	310	.148	.038	.026	.336	75	360	.165	.035	.051	.308
75	177	.040	.047	.128	.202	75	311	.387	.133	.027	.948	75	361	.224	.076	.012	.645
75	178	.058	.046	.087	.406	75	312	.317	.136	.048	.032	75	362	.175	.075	.026	.516
75	179	.054	.044	.150	.236	75	313	.256	.111	.051	.752	75	363	.166	.062	.000	.526
75	180	.059	.046	.180	.240	75	314	.167	.090	.052	.524	75	364	.148	.047	.017	.327
75	181	.078	.065	.244	.413	75	315	.141	.055	.005	.405	75	365	.144	.036	.022	.260
75	182	.040	.076	.279	.369	75	316	.125	.046	.012	.349	75	366	.115	.034	.021	.302
75	183	.075	.084	.285	.317	75	317	.133	.041	.005	.331	75	367	.120	.033	.002	.305
75	184	.111	.048	.120	.335	75	318	.116	.039	.033	.293	75	368	.101	.039	.096	.257
75	185	.109	.053	.145	.381	75	319	.130	.038	.007	.271	75	369	.202	.074	.034	.589
75	186	.105	.057	.114	.408	75	320	.163	.038	.048	.310	75	370	.154	.057	.010	.428
75	187	.098	.076	.162	.440	75	321	.447	.162	.112	.146	75	371	.159	.052	.015	.388
75	188	.080	.087	.130	.603	75	322	.316	.146	.014	.002	75	372	.141	.042	.012	.373
75	189	.099	.047	.226	.288	75	323	.267	.122	.027	.870	75	373	.135	.037	.015	.304
75	190	.098	.052	.143	.331	75	324	.212	.090	.029	.609	75	374	.097	.034	.024	.209
75	191	.084	.057	.152	.319	75	325	.174	.061	.049	.477	75	375	.114	.032	.005	.219
75	192	.076	.067	.145	.393	75	326	.128	.050	.133	.355	75	401	.170	.041	.036	.356
75	193	.053	.064	.148	.394	75	327	.136	.043	.073	.327	75	402	.180	.041	.046	.375
75	194	.160	.043	.005	.373	75	328	.138	.037	.024	.270	75	403	.157	.041	.017	.328
75	195	.233	.055	.023	.503	75	329	.143	.036	.002	.282	75	404	.172	.043	.046	.334
75	196	.120	.039	.028	.293	75	330	.150	.037	.033	.281	75	405	.177	.047	.031	.385
75	197	.108	.042	.039	.290	75	331	.436	.163	.049	.241	75	406	.185	.047	.044	.384
75	198	.106	.042	.057	.322	75	332	.354	.157	.034	.085	75	407	.188	.048	.031	.355
75	199	.093	.043	.103	.253	75	333	.286	.123	.037	.007	75	408	.199	.051	.027	.392
75	200	.046	.045	.113	.228	75	334	.202	.091	.062	.588	75	409	.215	.055	.041	.460
75	201	.039	.046	.096	.233	75	335	.170	.062	.032	.548	75	410	.172	.039	.056	.311
75	202	.065	.045	.101	.235	75	336	.158	.048	.043	.467	75	411	.189	.040	.071	.324
75	203	.070	.059	.150	.292	75	337	.155	.040	.056	.377	75	412	.201	.039	.085	.345
75	204	.063	.069	.233	.333	75	338	.128	.037	.005	.338	75	413	.217	.040	.102	.376
75	205	.093	.074	.224	.317	75	339	.138	.037	.022	.346	75	414	.178	.041	.051	.345
75	206	.115	.032	.015	.242	75	340	.155	.036	.011	.280	75	415	.192	.041	.069	.395
75	207	.152	.067	.007	.536	75	341	.379	.140	.124	.944	75	416	.203	.043	.078	.412
75	208	.083	.031	.035	.173	75	342	.267	.119	.012	.835	75	417	.218	.045	.088	.412
75	209	.064	.040	.116	.170	75	343	.222	.094	.019	.724	75	418	.177	.049	.042	.382
75	210	.054	.048	.183	.173	75	344	.184	.070	.125	.710	75	419	.194	.036	.086	.344
75	211	.049	.049	.179	.172	75	345	.171	.049	.007	.426	75	420	.206	.037	.099	.343
75	212	.025	.046	.185	.145	75	346	.133	.042	.021	.336	75	421	.226	.035	.122	.396
75	213	.035	.044	.180	.172	75	347	.145	.039	.007	.324	75	422	.184	.034	.078	.342
75	214	.044	.043	.153	.171	75	348	.150	.037	.010	.310	75	423	.194	.033	.100	.313
75	215	.049	.048	.162	.228	75	349	.161	.036	.034	.292	75	424	.196	.033	.069	.321
75	216	.073	.068	.198	.408	75	350	.149	.034	.031	.278	75	425	.211	.040	.079	.473
75	301	.438	.166	.058	.268	75	351	.263	.100	.024	.860	75	426	.173	.044	.022	.498
75	302	.349	.147	.116	.088	75	352	.222	.089	.026	.792	75	427	.190	.050	.004	.550
75	303	.258	.122	.115	.074	75	353	.197	.069	.015	.479	75	428	.203	.039	.083	.368
75	304	.194	.081	.080	.548	75	354	.148	.053	.088	.395	75	429	.231	.042	.086	.448

APPENDIX A -- PRESSURE DATA:

MAIN PLACE HOTEL -- CONF. A -- DALLAS, TEXAS

WD	TAP	CPMEAN	CPRMS	CPMAX	CPMIN	WD	TAP	CPMEAN	CPRMS	CPMAX	CPMIN	WD	TAP	CPMEAN	CPRMS	CPMAX	CPMIN
75	430	.197	.039	.071	.358	75	522	.042	.108	.542	.247	75	617	.101	.032	.005	.214
75	431	.206	.037	.035	.348	75	523	.085	.092	.599	.170	75	618	.127	.035	.007	.257
75	432	.204	.034	.078	.338	75	524	.072	.092	.604	.179	75	619	.149	.040	.009	.316
75	433	.207	.033	.091	.306	75	525	.227	.112	.152	.945	75	620	.134	.038	.032	.326
75	434	.164	.034	.056	.293	75	526	.260	.061	.028	.491	75	621	.159	.043	.054	.326
75	435	.184	.038	.071	.381	75	527	.099	.059	.101	.372	75	622	.177	.041	.054	.352
75	436	.195	.043	.061	.473	75	528	.366	.134	.047	.997	75	623	.180	.036	.073	.359
75	437	.231	.045	.072	.478	75	529	.270	.136	.261	.868	75	624	.147	.037	.032	.391
75	438	.198	.044	.042	.422	75	530	.164	.159	.524	.845	75	625	.195	.029	.016	.345
75	439	.212	.045	.051	.397	75	531	.144	.125	.388	.650	75	626	.168	.030	.012	.244
75	440	.209	.044	.058	.368	75	532	.185	.108	.252	.595	75	627	.124	.034	.009	.241
75	441	.211	.036	.079	.342	75	533	.269	.084	.026	.756	75	628	.109	.036	.044	.252
75	442	.164	.032	.058	.305	75	534	.240	.052	.085	.430	75	629	.138	.041	.024	.220
75	443	.181	.034	.044	.337	75	535	.209	.053	.041	.532	75	630	.170	.045	.058	.334
75	444	.191	.035	.081	.327	75	536	.046	.082	.294	.277	75	631	.177	.043	.068	.338
75	445	.204	.039	.034	.376	75	537	.183	.097	.033	.700	75	632	.144	.036	.016	.330
75	446	.189	.048	.031	.447	75	538	.101	.196	.654	.852	75	633	.154	.036	.028	.303
75	447	.205	.053	.035	.448	75	539	.132	.178	.544	.805	75	634	.105	.028	.019	.194
75	448	.197	.047	.054	.471	75	540	.132	.154	.538	.855	75	635	.109	.028	.028	.212
75	449	.221	.053	.045	.539	75	541	.268	.077	.037	.644	75	636	.087	.035	.071	.211
75	450	.167	.044	.027	.447	75	542	.242	.052	.071	.425	75	637	.119	.042	.085	.287
75	451	.174	.042	.044	.390	75	543	.208	.050	.053	.404	75	638	.158	.045	.000	.348
75	452	.192	.040	.061	.347	75	544	.094	.064	.193	.332	75	639	.178	.046	.050	.371
75	453	.195	.038	.072	.335	75	545	.134	.057	.119	.399	75	640	.134	.037	.011	.326
75	454	.159	.036	.049	.298	75	546	.202	.088	.052	.668	75	641	.142	.038	.016	.288
75	455	.177	.038	.055	.350	75	547	.190	.089	.011	.222	75	642	.151	.032	.044	.330
75	456	.192	.039	.072	.406	75	548	.220	.077	.000	.689	75	643	.153	.031	.028	.375
75	457	.203	.043	.068	.403	75	549	.293	.091	.014	.824	75	644	.128	.031	.034	.261
75	458	.166	.041	.044	.342	75	550	.198	.052	.035	.543	75	645	.121	.034	.025	.319
75	501	.201	.051	.080	.690	75	551	.188	.048	.023	.367	75	646	.103	.039	.022	.286
75	502	.218	.054	.047	.448	75	552	.245	.081	.049	.614	75	647	.094	.028	.017	.180
75	503	.228	.042	.115	.607	75	553	.179	.043	.040	.383	75	648	.118	.028	.024	.203
75	504	.184	.039	.056	.558	75	554	.190	.041	.045	.347	75	649	.112	.028	.007	.216
75	505	.237	.063	.091	.674	75	555	.152	.044	.002	.328	75	650	.106	.031	.012	.228
75	506	.191	.042	.038	.399	75	601	.121	.035	.012	.294	75	651	.086	.039	.007	.303
75	507	.031	.052	.165	.174	75	602	.129	.039	.019	.303	75	652	.119	.027	.024	.200
75	508	.004	.061	.374	.169	75	603	.146	.043	.007	.425	75	653	.114	.026	.017	.191
75	509	.016	.063	.306	.180	75	604	.125	.050	.007	.543	75	654	.100	.027	.015	.184
75	510	.016	.069	.309	.197	75	605	.150	.045	.005	.341	75	655	.081	.032	.019	.216
75	511	.019	.068	.485	.204	75	606	.128	.032	.026	.254	75	701	.086	.045	.103	.312
75	512	.013	.070	.460	.193	75	607	.115	.032	.005	.254	75	702	.077	.053	.137	.309
75	513	.002	.072	.523	.182	75	608	.087	.032	.023	.213	75	703	.054	.059	.436	.293
75	514	.005	.071	.437	.175	75	609	.099	.034	.002	.223	75	704	.020	.062	.320	.305
75	515	.020	.064	.380	.179	75	610	.133	.037	.014	.306	75	705	.041	.068	.273	.359
75	516	.008	.093	.382	.487	75	611	.104	.028	.005	.220	75	706	.073	.040	.105	.352
75	517	.020	.104	.477	.619	75	612	.077	.025	.009	.163	75	707	.039	.048	.157	.288
75	518	.002	.111	.513	.477	75	613	.092	.026	.005	.193	75	708	.027	.051	.214	.231
75	519	.028	.155	.682	.960	75	614	.113	.029	.012	.222	75	709	.077	.040	.127	.198
75	520	.014	.104	.489	.529	75	615	.117	.028	.031	.220	75	710	.059	.042	.120	.223
75	521	.003	.119	.497	.071	75	616	.093	.031	.014	.202	75	711	.046	.045	.174	.259

APPENDIX A -- PRESSURE DATA:

MAIN PLACE HOTEL -- CONF. A -- DALLAS, TEXAS

WD	TAP	CPMEAN	CPRMS	CPMAX	CPMIN	WD	TAP	CPMEAN	CPRMS	CPMAX	CPMIN	WD	TAP	CPMEAN	CPRMS	CPMAX	CPMIN
70	712	.044	.040	.149	.180	90	15	.166	.193	.851	.391	90	65	.180	.190	.825	.472
70	713	.093	.038	.090	.276	90	16	.093	.206	.830	.518	90	66	.147	.175	.805	.397
70	715	.089	.035	.046	.310	90	17	.099	.214	1.001	.404	90	67	.180	.160	.832	.243
70	716	.056	.035	.101	.180	90	18	.109	.228	.967	.515	90	68	.189	.126	.619	.158
70	717	.100	.037	.012	.264	90	19	.188	.246	.971	.550	90	69	.199	.168	.863	.341
70	718	.103	.039	.007	.294	90	20	.201	.303	1.013	.956	90	70	.186	.171	.911	.446
70	719	.072	.039	.090	.276	90	21	.047	.240	.715	.776	90	71	.214	.163	.946	.266
70	720	.077	.048	.089	.346	90	22	.025	.153	.481	.410	90	72	.177	.153	.726	.270
70	721	.110	.048	.027	.412	90	23	.096	.180	.624	.367	90	73	.137	.162	.753	.302
70	722	.062	.038	.132	.176	90	24	.142	.201	.767	.385	90	74	.101	.158	.716	.320
70	723	.091	.049	.046	.353	90	25	.197	.206	.803	.355	90	75	.126	.150	.741	.232
70	724	.067	.043	.120	.262	90	26	.217	.216	.846	.369	90	76	.114	.147	.688	.268
70	725	.060	.038	.093	.181	90	27	.214	.227	.977	.489	90	77	.097	.158	.904	.362
70	726	.070	.036	.061	.186	90	28	.190	.234	.801	.471	90	78	.099	.152	.963	.284
70	727	.064	.038	.068	.213	90	29	.204	.228	.892	.373	90	79	.079	.161	.713	.416
70	728	.039	.041	.118	.195	90	30	.247	.202	.931	.439	90	80	.295	.099	.050	.753
70	729	.082	.044	.051	.290	90	31	.148	.222	1.054	.522	90	81	.444	.156	.049	.208
70	730	.076	.043	.073	.261	90	32	.112	.213	.866	.603	90	82	.063	.109	.395	.425
70	731	.029	.060	.216	.336	90	33	.127	.194	.935	.575	90	83	.026	.129	.521	.304
70	732	.044	.046	.150	.254	90	34	.121	.186	.940	.484	90	84	.064	.134	.585	.290
70	733	.001	.047	.253	.214	90	35	.092	.191	.963	.376	90	85	.058	.163	.626	.519
70	734	.059	.040	.115	.207	90	36	.084	.194	.846	.414	90	86	.139	.158	.925	.261
70	735	.048	.039	.081	.199	90	37	.137	.198	.939	.391	90	87	.144	.152	.912	.284
70	736	.020	.047	.184	.157	90	38	.158	.223	.992	.584	90	88	.139	.149	.923	.181
70	737	.050	.036	.111	.184	90	39	.361	.102	.089	.878	90	89	.124	.140	.909	.190
70	738	.050	.040	.110	.207	90	40	.419	.157	.018	.228	90	90	.126	.131	.813	.182
70	739	.026	.046	.154	.167	90	41	.003	.148	.554	.447	90	91	.140	.128	.779	.151
70	740	.033	.037	.192	.178	90	42	.070	.175	.668	.428	90	92	.100	.128	.796	.252
70	741	.016	.037	.120	.144	90	43	.165	.192	.812	.405	90	93	.160	.130	.788	.278
70	742	.027	.043	.156	.159	90	44	.183	.205	.905	.438	90	94	.166	.128	.761	.270
70	743	.026	.036	.147	.166	90	45	.198	.220	.828	.423	90	95	.122	.121	.578	.242
70	744	.046	.036	.113	.157	90	46	.177	.196	.843	.321	90	96	.100	.118	.714	.270
70	745	.027	.037	.136	.165	90	47	.199	.219	.942	.499	90	97	.079	.112	.633	.227
70	746	.002	.040	.149	.176	90	48	.178	.217	.942	.630	90	98	.074	.107	.641	.220
70	747	.207	.045	.300	.115	90	49	.142	.216	.849	.531	90	99	.065	.104	.699	.213
70	748	.022	.020	.047	.081	90	50	.109	.212	.856	.517	90	100	.060	.119	.637	.449
90	1	.327	.100	.077	.748	90	51	.124	.196	.960	.548	90	101	.053	.111	.577	.278
90	2	.484	.153	.113	.183	90	52	.165	.188	.917	.665	90	102	.047	.110	.636	.298
90	3	.029	.152	.644	.457	90	53	.110	.175	.769	.454	90	103	.017	.124	.626	.418
90	4	.096	.175	.770	.413	90	54	.085	.171	.928	.332	90	104	.021	.212	.850	.871
90	5	.164	.204	.940	.465	90	55	.115	.164	.801	.364	90	105	.147	.214	.619	.909
90	6	.171	.221	.921	.488	90	56	.119	.171	.788	.348	90	106	.000	.087	.000	.729
90	7	.212	.222	.807	.409	90	57	.132	.205	.951	.545	90	107	.432	.140	.053	.047
90	8	.197	.230	.882	.408	90	58	.082	.260	.897	.976	90	108	.093	.088	.413	.397
90	9	.175	.225	.879	.554	90	59	.052	.224	.662	.664	90	109	.016	.101	.441	.315
90	10	.146	.230	.820	.632	90	60	.006	.147	.461	.454	90	110	.021	.111	.561	.293
90	11	.153	.222	.835	.582	90	61	.148	.196	.776	.350	90	111	.013	.137	.729	.507
90	12	.118	.219	.836	.468	90	62	.156	.222	.863	.517	90	112	.104	.133	.869	.283
90	13	.095	.213	.987	.491	90	63	.241	.227	1.076	.623	90	113	.103	.127	.617	.232
90	14	.065	.206	1.041	.433	90	64	.211	.214	1.004	.472	90	114	.102	.118	.593	.227

APPENDIX A -- PRESSURE DATA:

MAIN PLACE HOTEL -- CONF. A -- DALLAS, TEXAS

WD	TAP	CPMEAN	CPRMS	CPMAX	CPMIN	WD	TAP	CPMEAN	CPRMS	CPMAX	CPMIN	WD	TAP	CPMEAN	CPRMS	CPMAX	CPMIN
90	115	.093	.116	.665	-.192	90	165	.096	.101	.696	-.101	90	215	.051	.056	.194	-.259
90	116	.101	.104	.764	-.184	90	166	.117	.110	.733	-.147	90	216	.238	.130	.268	-.759
90	117	.106	.102	.668	-.148	90	167	.139	.117	.744	-.122	90	301	.676	.177	-.218	-1.489
90	118	.112	.099	.625	-.129	90	168	.144	.121	.754	-.215	90	302	.414	.136	-.039	-1.127
90	119	.111	.102	.644	-.119	90	169	.111	.084	.483	-.076	90	303	.397	.129	.014	-1.168
90	120	.114	.105	.683	-.129	90	170	.157	.126	.794	-.096	90	304	.393	.130	-.022	-1.081
90	121	.079	.098	.598	-.172	90	171	.155	.119	.749	-.139	90	305	.360	.126	.072	-1.008
90	122	.058	.090	.441	-.202	90	172	.149	.126	.788	-.144	90	306	.323	.105	.010	-.975
90	123	.049	.094	.452	-.240	90	173	.147	.125	.711	-.142	90	307	.281	.098	.029	-.777
90	124	.061	.095	.456	-.191	90	174	.137	.117	.632	-.140	90	308	.269	.090	-.020	-.820
90	125	.046	.090	.431	-.232	90	175	.126	.100	.703	-.122	90	309	.261	.086	.002	-.809
90	126	.036	.087	.475	-.325	90	176	.091	.083	.561	-.151	90	310	.231	.061	.054	-.504
90	127	.033	.095	.633	-.286	90	177	.027	.076	.459	-.223	90	311	.596	.149	-.155	-1.223
90	128	.044	.101	.678	-.324	90	178	.031	.090	.369	-.509	90	312	.550	.158	.019	-1.224
90	129	.010	.125	.570	-.686	90	179	.024	.070	.247	-.365	90	313	.470	.143	.022	-1.213
90	130	.003	.169	.566	-.759	90	180	.044	.069	.312	-.307	90	314	.351	.125	.017	-1.079
90	131	.117	.222	.708	-.814	90	181	.081	.077	.235	-.389	90	315	.282	.091	.012	-.733
90	132	.277	.080	.036	-.723	90	182	.201	.137	.265	-.895	90	316	.245	.083	.012	-.647
90	133	.378	.107	.116	-1.034	90	183	.214	.091	.199	-.535	90	317	.242	.072	.005	-.520
90	134	.101	.075	.257	-.348	90	184	.077	.087	.244	-.493	90	318	.214	.066	.012	-.530
90	135	.052	.085	.356	-.274	90	185	.061	.094	.283	-.483	90	319	.217	.064	.022	-.483
90	136	.005	.092	.435	-.274	90	186	.047	.095	.321	-.444	90	320	.242	.057	.081	-.469
90	137	.016	.110	.457	-.471	90	187	.039	.097	.453	-.417	90	321	.631	.210	-.133	-1.710
90	138	.050	.109	.647	-.243	90	188	.053	.098	.393	-.647	90	322	.504	.191	.005	-1.254
90	139	.060	.106	.617	-.210	90	189	.052	.089	.389	-.403	90	323	.427	.163	.017	-1.201
90	140	.064	.094	.503	-.227	90	190	.044	.102	.422	-.511	90	324	.341	.126	.024	-.912
90	141	.058	.090	.503	-.211	90	191	.023	.098	.485	-.593	90	325	.277	.090	.007	-.666
90	142	.057	.086	.488	-.384	90	192	.036	.098	.349	-.498	90	326	.214	.070	.059	-.528
90	143	.065	.083	.482	-.153	90	193	.045	.093	.312	-.451	90	327	.209	.058	.010	-.439
90	144	.083	.086	.637	-.163	90	194	.173	.070	.010	-.577	90	328	.205	.052	.045	-.414
90	145	.076	.087	.684	-.174	90	195	.340	.088	.092	-.720	90	329	.207	.050	.051	-.402
90	146	.075	.086	.622	-.166	90	196	.083	.051	.137	-.256	90	330	.215	.047	.069	-.447
90	147	.051	.080	.560	-.169	90	197	.049	.057	.209	-.254	90	331	.575	.195	.085	-1.578
90	148	.055	.081	.522	-.218	90	198	.036	.063	.198	-.287	90	332	.494	.183	.031	-1.353
90	149	.040	.080	.422	-.292	90	199	.027	.071	.230	-.295	90	333	.416	.156	.053	-1.080
90	150	.036	.078	.484	-.193	90	200	.010	.075	.420	-.283	90	334	.310	.123	.002	-1.018
90	151	.023	.077	.439	-.219	90	201	.010	.053	.280	-.227	90	335	.257	.085	.177	-.638
90	152	.006	.113	.547	-.400	90	202	.041	.070	.311	-.345	90	336	.228	.067	.012	-.481
90	153	.007	.100	.495	-.377	90	203	.069	.073	.230	-.326	90	337	.216	.059	.007	-.492
90	154	.010	.096	.403	-.314	90	204	.209	.134	.151	-.739	90	338	.191	.050	.033	-.414
90	155	.032	.101	.381	-.432	90	205	.198	.087	.163	-.593	90	339	.200	.050	.022	-.408
90	156	.145	.192	.478	-1.027	90	206	.127	.051	.072	-.328	90	340	.201	.048	.048	-.442
90	157	.200	.163	.475	-.778	90	207	.221	.108	.077	-.722	90	341	.463	.169	.019	-1.216
90	158	.236	.071	.060	-.680	90	208	.073	.050	.132	-.220	90	342	.463	.146	.031	-1.443
90	159	.315	.092	.065	-.773	90	209	.033	.056	.192	-.178	90	343	.337	.126	.012	-.985
90	160	.096	.053	.259	-.310	90	210	.009	.062	.364	-.174	90	344	.287	.102	.010	-.776
90	161	.057	.059	.331	-.262	90	211	.009	.061	.276	-.161	90	345	.247	.075	.058	-.615
90	162	.041	.063	.311	-.244	90	212	.001	.067	.290	-.195	90	346	.196	.061	.000	-.433
90	163	.042	.082	.475	-.405	90	213	.006	.064	.315	-.226	90	347	.198	.053	.010	-.398
90	164	.042	.090	.490	-.268	90	214	.047	.061	.244	-.232	90	348	.203	.049	.000	-.429

APPENDIX A -- PRESSURE DATA:

MAIN PLACE HOTEL -- CONF. A -- DALLAS , TEXAS

WD	TAP	CPMEAN	CPRMS	CPMAX	CPMIN	WD	TAP	CPMEAN	CPRMS	CPMAX	CPMIN	WD	TAP	CPMEAN	CPRMS	CPMAX	CPMIN
90	349	.215	.046	.044	.404	90	424	.272	.046	.126	.464	90	516	.123	.128	.758	.212
90	350	.211	.046	.054	.412	90	425	.293	.053	.096	.548	90	517	.101	.139	.747	.505
90	351	.328	.109	.032	.891	90	426	.250	.061	.035	.629	90	518	.090	.177	.783	.566
90	352	.316	.101	.022	.037	90	427	.271	.070	.030	.749	90	519	.125	.245	.856	.070
90	353	.303	.093	.029	.033	90	428	.283	.050	.140	.529	90	520	.157	.133	.684	.237
90	354	.238	.078	.019	.868	90	429	.296	.048	.158	.459	90	521	.144	.146	.724	.369
90	355	.213	.062	.002	.656	90	430	.258	.046	.127	.426	90	522	.162	.151	.715	.340
90	356	.196	.051	.005	.566	90	431	.275	.046	.101	.431	90	523	.195	.144	.796	.179
90	357	.189	.048	.027	.437	90	432	.275	.043	.138	.422	90	524	.190	.146	.797	.157
90	358	.164	.047	.050	.444	90	433	.279	.047	.136	.470	90	525	.360	.138	.014	.967
90	359	.210	.049	.046	.444	90	434	.237	.051	.090	.461	90	526	.333	.084	.107	.693
90	360	.211	.045	.037	.626	90	435	.258	.059	.097	.638	90	527	.346	.095	.035	.729
90	361	.287	.075	.080	.633	90	436	.267	.064	.072	.646	90	528	.546	.182	.019	.511
90	362	.265	.078	.024	.622	90	437	.306	.055	.146	.506	90	529	.422	.151	.178	.241
90	363	.269	.078	.053	.637	90	438	.268	.054	.074	.477	90	530	.224	.248	.722	.194
90	364	.244	.071	.031	.660	90	439	.298	.056	.143	.560	90	531	.290	.159	.344	.857
90	365	.218	.055	.046	.566	90	440	.293	.050	.124	.494	90	532	.329	.131	.194	.915
90	366	.159	.047	.012	.333	90	441	.299	.047	.143	.494	90	533	.336	.095	.111	.883
90	367	.140	.045	.032	.333	90	442	.249	.048	.113	.588	90	534	.319	.073	.085	.744
90	368	.293	.052	.139	.333	90	443	.272	.058	.099	.830	90	535	.267	.077	.052	.687
90	369	.293	.087	.039	.333	90	444	.280	.061	.126	.811	90	536	.122	.132	.337	.603
90	370	.243	.066	.045	.433	90	445	.292	.064	.122	.565	90	537	.432	.169	.022	.390
90	371	.243	.064	.070	.433	90	446	.263	.070	.090	.930	90	538	.073	.312	.022	.136
90	372	.222	.061	.029	.448	90	447	.287	.077	.101	.654	90	539	.274	.204	.522	.017
90	373	.197	.051	.005	.448	90	448	.278	.066	.075	.657	90	540	.244	.178	.467	.923
90	374	.157	.047	.026	.333	90	449	.268	.063	.042	.539	90	541	.329	.085	.087	.774
90	375	.155	.041	.029	.444	90	450	.219	.056	.028	.429	90	542	.315	.071	.088	.635
90	401	.236	.060	.074	.444	90	451	.233	.053	.055	.440	90	543	.267	.068	.076	.779
90	402	.246	.057	.082	.444	90	452	.257	.056	.096	.501	90	544	.192	.098	.194	.676
90	403	.225	.058	.047	.444	90	453	.265	.053	.104	.452	90	545	.280	.090	.022	.661
90	404	.238	.059	.053	.555	90	454	.231	.057	.028	.486	90	546	.454	.156	.033	.180
90	405	.248	.063	.050	.666	90	455	.255	.063	.076	.565	90	547	.398	.131	.044	.105
90	406	.236	.062	.058	.666	90	456	.272	.066	.098	.681	90	548	.360	.093	.088	.930
90	407	.267	.063	.081	.666	90	457	.275	.065	.080	.546	90	549	.384	.102	.091	.818
90	408	.279	.068	.084	.666	90	458	.228	.061	.053	.488	90	550	.307	.070	.092	.645
90	409	.296	.073	.078	.666	90	501	.282	.086	.078	.212	90	551	.257	.063	.042	.588
90	410	.247	.058	.055	.666	90	502	.244	.086	.023	.734	90	552	.359	.119	.042	.588
90	411	.271	.057	.094	.666	90	503	.311	.056	.162	.663	90	553	.255	.061	.056	.539
90	412	.284	.053	.124	.666	90	504	.216	.069	.028	.136	90	554	.260	.060	.044	.557
90	413	.295	.046	.122	.666	90	505	.315	.074	.150	.774	90	555	.219	.060	.042	.472
90	414	.248	.045	.094	.666	90	506	.229	.060	.061	.499	90	601	.134	.040	.002	.283
90	415	.270	.050	.115	.666	90	507	.229	.077	.416	.111	90	602	.127	.041	.007	.274
90	416	.285	.056	.107	.666	90	508	.138	.111	.797	.118	90	603	.142	.045	.019	.323
90	417	.293	.064	.122	.666	90	509	.119	.114	.800	.198	90	604	.115	.044	.024	.293
90	418	.250	.065	.041	.666	90	510	.094	.106	.599	.144	90	605	.169	.060	.007	.475
90	419	.266	.050	.124	.666	90	511	.100	.114	.795	.113	90	606	.140	.035	.017	.269
90	420	.282	.050	.144	.666	90	512	.136	.121	.970	.083	90	607	.114	.033	.029	.251
90	421	.292	.046	.127	.666	90	513	.101	.106	.689	.106	90	608	.081	.033	.044	.210
90	422	.252	.043	.092	.666	90	514	.112	.111	.783	.107	90	609	.100	.038	.056	.324
90	423	.265	.042	.127	.666	90	515	.109	.114	.859	.129	90	610	.153	.055	.038	.438

APPENDIX A -- PRESSURE DATA:

MAIN PLACE HOTEL -- CONF. A -- DALLAS , TEXAS

WD	TAP	CPMEAN	CPRMS	CPMAX	CPMIN	WD	TAP	CPMEAN	CPRMS	CPMAX	CPMIN	WD	TAP	CPMEAN	CPRMS	CPMAX	CPMIN
90	611	.106	.031	.010	.226	90	706	.038	.067	.228	.392	105	9	.275	.227	.877	.570
90	612	.076	.030	.038	.177	90	707	.019	.078	.380	.511	105	10	.269	.230	.879	.520
90	613	.093	.031	.063	.218	90	708	.021	.077	.440	.416	105	11	.300	.224	.904	.418
90	614	.128	.039	.029	.308	90	709	.019	.057	.199	.390	105	12	.294	.228	.898	.421
90	615	.137	.033	.034	.255	90	710	.005	.064	.342	.392	105	13	.303	.240	.958	.392
90	616	.115	.037	.031	.246	90	711	.014	.071	.356	.335	105	14	.288	.249	.979	.378
90	617	.129	.038	.005	.266	90	712	.010	.065	.260	.414	105	15	.303	.242	.974	.337
90	618	.161	.040	.024	.334	90	713	.066	.067	.165	.412	105	16	.262	.255	1.076	.507
90	619	.181	.043	.017	.362	90	715	.066	.061	.119	.630	105	17	.211	.262	1.027	.508
90	620	.151	.052	.005	.441	90	716	.002	.057	.203	.265	105	18	.139	.263	.948	.544
90	621	.177	.055	.012	.448	90	717	.060	.054	.115	.345	105	19	.076	.246	1.003	.538
90	622	.207	.058	.067	.572	90	718	.074	.055	.101	.308	105	20	.417	.287	.974	.655
90	623	.219	.052	.083	.474	90	719	.007	.059	.238	.376	105	21	.370	.149	.258	.974
90	624	.176	.050	.000	.441	90	720	.018	.052	.182	.338	105	22	.097	.180	.601	.459
90	625	.116	.034	.005	.245	90	721	.060	.064	.160	.416	105	23	.216	.216	.819	.395
90	626	.134	.034	.010	.255	90	722	.010	.046	.166	.137	105	24	.265	.232	.920	.387
90	627	.157	.042	.019	.338	90	723	.034	.053	.143	.349	105	25	.314	.232	1.039	.484
90	628	.133	.049	.005	.500	90	724	.042	.069	.253	.421	105	26	.341	.229	1.024	.427
90	629	.166	.056	.034	.453	90	725	.004	.055	.220	.196	105	27	.317	.218	.823	.295
90	630	.200	.060	.055	.483	90	726	.023	.050	.183	.209	105	28	.313	.222	.939	.295
90	631	.218	.058	.022	.533	90	727	.008	.048	.219	.216	105	29	.346	.219	.947	.270
90	632	.168	.045	.047	.323	90	728	.005	.050	.222	.206	105	30	.395	.190	.896	.192
90	633	.179	.045	.056	.344	90	729	.031	.056	.246	.299	105	31	.337	.226	.981	.225
90	634	.131	.033	.010	.338	90	730	.034	.067	.219	.399	105	32	.326	.239	1.000	.330
90	635	.139	.035	.019	.333	90	731	.026	.073	.296	.476	105	33	.349	.239	1.023	.385
90	636	.110	.043	.099	.375	90	732	.031	.072	.214	.432	105	34	.341	.242	1.056	.339
90	637	.142	.048	.085	.361	90	733	.001	.057	.203	.265	105	35	.318	.254	1.050	.418
90	638	.181	.055	.038	.431	90	734	.027	.072	.368	.407	105	36	.265	.258	1.069	.566
90	639	.203	.055	.061	.506	90	735	.020	.064	.281	.337	105	37	.228	.244	1.068	.571
90	640	.162	.046	.019	.408	90	736	.013	.059	.323	.178	105	38	.098	.235	.972	.699
90	641	.176	.047	.039	.335	90	737	.011	.074	.295	.406	105	39	.409	.127	1.045	.155
90	642	.199	.043	.038	.394	90	738	.002	.068	.266	.268	105	40	.700	.220	1.013	.538
90	643	.201	.041	.032	.350	90	739	.010	.058	.293	.195	105	41	.087	.178	.692	.392
90	644	.164	.037	.045	.333	90	740	.011	.074	.336	.445	105	42	.180	.207	.882	.325
90	645	.149	.039	.017	.322	90	741	.023	.057	.272	.194	105	43	.275	.214	.915	.331
90	646	.122	.043	.033	.335	90	742	.008	.050	.275	.148	105	44	.290	.222	.988	.418
90	647	.136	.034	.017	.299	90	743	.020	.061	.274	.227	105	45	.328	.227	.935	.623
90	648	.158	.033	.053	.288	90	744	.013	.061	.269	.219	105	46	.350	.208	.977	.398
90	649	.150	.033	.029	.255	90	745	.023	.059	.266	.197	105	47	.363	.207	.945	.427
90	650	.125	.032	.014	.220	90	746	.031	.053	.270	.149	105	48	.368	.205	.986	.435
90	651	.098	.038	.019	.266	90	747	.335	.034	.404	.254	105	49	.366	.216	.958	.258
90	652	.156	.035	.033	.227	90	748	.020	.027	.111	.060	105	50	.361	.227	1.051	.492
90	653	.149	.032	.048	.279	105	1	.372	.115	.044	.059	105	51	.382	.226	1.016	.587
90	654	.128	.034	.017	.225	105	2	.768	.216	.188	.490	105	52	.368	.234	1.058	.608
90	655	.099	.036	.012	.258	105	3	.093	.188	.672	.519	105	53	.347	.245	.966	.555
90	701	.047	.076	.275	.324	105	4	.178	.204	.737	.441	105	54	.297	.262	1.086	.490
90	702	.036	.085	.397	.348	105	5	.224	.219	.831	.547	105	55	.292	.245	1.064	.398
90	703	.020	.083	.302	.334	105	6	.226	.226	.858	.485	105	56	.215	.242	1.047	.403
90	704	.003	.082	.298	.355	105	7	.263	.214	.848	.418	105	57	.074	.231	1.006	.533
90	705	.035	.082	.275	.408	105	8	.253	.213	.873	.502	105	58	.514	.302	1.475	.552

APPENDIX A -- PRESSURE DATA:

MAIN PLACE HOTEL -- CONF. A -- DALLAS , TEXAS

WD	TAP	CPMEAN	CPRMS	CPMAX	CPMIN	WD	TAP	CPMEAN	CPRMS	CPMAX	CPMIN	WD	TAP	CPMEAN	CPRMS	CPMAX	CPMIN
105	59	.329	.135	.376	-.951	105	109	.042	.125	.667	-.292	105	159	-.406	.105	.098	-.982
105	60	.073	.179	.631	-.461	105	110	.085	.124	.661	-.413	105	160	-.126	.058	-.128	-.396
105	61	.262	.210	.914	-.325	105	111	.062	.146	.692	-.668	105	161	-.065	.059	-.207	-.263
105	62	.265	.234	.986	-.509	105	112	.141	.109	.727	-.259	105	162	-.037	.060	-.198	-.250
105	63	.356	.203	1.046	-.317	105	113	.149	.103	.700	-.179	105	163	-.044	.092	-.308	-.549
105	64	.355	.179	.984	-.283	105	114	.163	.099	.736	-.101	105	164	-.060	.081	-.416	-.225
105	65	.362	.172	.928	-.182	105	115	.166	.098	.682	-.083	105	165	.156	.082	-.645	-.054
105	66	.344	.167	.960	-.204	105	116	.200	.093	.617	-.030	105	166	.200	.098	-.698	-.050
105	67	.374	.162	1.005	-.139	105	117	.200	.094	.736	-.036	105	167	.246	.111	-.773	-.020
105	68	.383	.136	.864	-.002	105	118	.198	.088	.694	-.091	105	168	.257	.117	-.777	-.023
105	69	.370	.165	1.050	-.023	105	119	.196	.090	.689	-.099	105	169	.255	.105	-.630	.014
105	70	.357	.167	1.017	-.036	105	120	.197	.091	.797	-.072	105	170	.271	.119	-.743	-.010
105	71	.378	.159	1.046	-.016	105	121	.172	.089	.645	-.072	105	171	.252	.097	-.714	.015
105	72	.352	.153	.893	-.054	105	122	.158	.082	.595	-.096	105	172	.244	.106	-.854	.013
105	73	.329	.153	.905	-.067	105	123	.141	.088	.564	-.149	105	173	.241	.107	-.869	.017
105	74	.304	.154	.846	-.178	105	124	.142	.090	.500	-.164	105	174	.229	.102	-.758	.074
105	75	.316	.163	1.010	-.515	105	125	.113	.095	.550	-.315	105	175	.218	.096	-.608	.057
105	76	.304	.188	1.022	-.188	105	126	.086	.119	.609	-.420	105	176	.169	.078	-.516	.083
105	77	.303	.230	.932	-.363	105	127	.079	.123	.652	-.288	105	177	.085	.085	-.448	.202
105	78	.260	.228	1.066	-.277	105	128	.059	.126	.685	-.290	105	178	.016	.112	-.498	.411
105	79	.038	.210	.834	-.512	105	129	-.041	.137	.540	-.428	105	179	.026	.097	-.547	.305
105	80	.356	.106	.086	.991	105	130	.353	.194	.260	-.970	105	180	-.006	.094	-.586	.308
105	81	.669	.205	-.057	-.489	105	131	.352	.146	.614	-.871	105	181	-.081	.105	-.564	.389
105	82	.025	.148	.619	.434	105	132	.358	.077	.157	-.780	105	182	-.357	.157	-.126	.918
105	83	.094	.149	.673	.302	105	133	.592	.148	.162	-.302	105	183	-.329	.080	-.064	.682
105	84	.149	.153	.916	-.355	105	134	.111	.097	.312	-.394	105	184	-.080	.099	-.336	.596
105	85	.129	.190	.977	-.621	105	135	.041	.096	.390	-.399	105	185	.045	.112	-.342	.468
105	86	.221	.149	.914	.321	105	136	.009	.091	.456	-.294	105	186	-.007	.121	-.354	.480
105	87	.243	.143	.866	-.168	105	137	.009	.104	.452	-.421	105	187	.010	.144	-.470	.709
105	88	.267	.141	.993	-.114	105	138	.063	.089	.473	-.284	105	188	.027	.133	-.481	.641
105	89	.267	.138	.899	-.062	105	139	.086	.086	.559	-.238	105	189	-.065	.104	-.276	.630
105	90	.280	.135	.863	-.028	105	140	.125	.084	.773	-.096	105	190	.050	.123	-.344	.540
105	91	.290	.134	.904	-.017	105	141	.125	.081	.681	-.158	105	191	.010	.124	-.453	.542
105	92	.284	.124	.794	-.000	105	142	.144	.080	.659	-.077	105	192	.001	.136	-.556	.486
105	93	.277	.126	.805	-.007	105	143	.154	.080	.614	-.052	105	193	.006	.134	-.692	.532
105	94	.275	.120	.790	-.023	105	144	.154	.078	.820	-.056	105	194	-.220	.091	-.027	.659
105	95	.248	.117	.798	-.087	105	145	.142	.078	.769	-.065	105	195	-.443	.092	-.102	.911
105	96	.248	.115	.706	-.093	105	146	.141	.077	.727	-.082	105	196	-.112	.064	-.098	.346
105	97	.221	.112	.662	-.108	105	147	.127	.075	.647	-.168	105	197	-.062	.079	-.199	.391
105	98	.210	.118	.656	-.115	105	148	.130	.077	.428	-.213	105	198	-.039	.091	-.339	.386
105	99	.185	.129	.692	-.227	105	149	.103	.076	.401	-.225	105	199	.020	.097	-.446	.524
105	100	.158	.165	.916	-.484	105	150	.089	.081	.424	-.197	105	200	.097	.121	-.586	.476
105	101	.136	.155	.937	-.268	105	151	.063	.088	.418	-.288	105	201	.085	.104	-.512	.375
105	102	.093	.147	.839	-.300	105	152	.024	.132	.506	-.503	105	202	.051	.116	-.594	.453
105	103	.001	.148	.673	-.446	105	153	.029	.113	.584	-.305	105	203	-.001	.117	-.465	.357
105	104	.388	.267	.530	-.379	105	154	.011	.114	.644	-.332	105	204	-.254	.170	-.258	.876
105	105	.351	.153	.573	-.006	105	155	.091	.124	.630	-.433	105	205	-.252	.105	-.295	.648
105	106	.355	.086	1.033	-.783	105	156	.431	.171	.233	-.079	105	206	-.168	.070	-.087	.406
105	107	.628	.179	-.045	-.388	105	157	.362	.079	-.027	-.682	105	207	-.332	.160	-.172	.068
105	108	.062	.129	.610	-.371	105	158	.306	.069	-.102	-.691	105	208	-.077	.068	-.198	.248

APPENDIX A -- PRESSURE DATA:

MAIN PLACE HOTEL -- CONF. A -- DALLAS , TEXAS

WD	TAP	CPMEAN	CPRMS	CPMAX	CPMIN	WD	TAP	CPMEAN	CPRMS	CPMAX	CPMIN	WD	TAP	CPMEAN	CPRMS	CPMAX	CPMIN
105	209	.002	.076	.337	-.192	105	343	-.555	.143	-.186	-1.361	105	418	-.302	.064	-.119	-.546
105	210	.071	.083	.495	-.139	105	344	-.524	.128	-.160	-1.008	105	419	-.352	.056	-.196	-.620
105	211	.082	.083	.404	-.202	105	345	-.443	.087	-.070	-.865	105	420	-.361	.052	-.210	-.632
105	212	.107	.093	.491	-.185	105	346	-.325	.087	-.005	-.672	105	421	-.379	.047	-.186	-.543
105	213	.095	.089	.500	-.227	105	347	-.281	.076	-.021	-.611	105	422	-.326	.043	-.151	-.482
105	214	.041	.086	.473	-.173	105	348	-.265	.067	-.016	-.512	105	423	-.335	.043	-.178	-.495
105	215	.015	.078	.490	-.231	105	349	-.277	.062	-.030	-.548	105	424	-.339	.045	-.184	-.523
105	216	.328	.170	.158	-1.099	105	350	-.279	.055	-.078	-.484	105	425	-.343	.049	-.147	-.557
105	301	.534	.122	-.234	-1.380	105	351	-.491	.113	-.209	-1.089	105	426	-.297	.033	-.087	-.566
105	302	.407	.108	-.002	-1.060	105	352	-.506	.115	-.192	-1.040	105	427	-.315	.058	-.073	-.582
105	303	.394	.118	-.032	-.960	105	353	-.512	.117	-.143	-1.029	105	428	-.356	.053	-.207	-.609
105	304	.410	.126	-.013	-1.202	105	354	-.445	.114	-.080	-.945	105	429	-.373	.050	-.200	-.643
105	305	.419	.130	-.020	-1.152	105	355	-.381	.103	-.056	-.856	105	430	-.370	.045	-.174	-.546
105	306	.404	.114	-.072	-.862	105	356	-.312	.090	-.005	-.598	105	431	-.345	.042	-.178	-.490
105	307	.351	.098	-.062	-.980	105	357	-.273	.074	-.023	-.621	105	432	-.344	.041	-.175	-.496
105	308	.340	.095	-.028	-.977	105	358	-.230	.066	-.000	-.509	105	433	-.354	.043	-.205	-.592
105	309	.343	.104	-.059	-1.076	105	359	-.285	.071	-.042	-.581	105	434	-.308	.046	-.151	-.594
105	310	.365	.091	-.096	-.912	105	360	-.284	.060	-.086	-.516	105	435	-.327	.052	-.162	-.627
105	311	.498	.102	-.216	-1.067	105	361	-.462	.107	-.190	-1.076	105	436	-.335	.055	-.150	-.604
105	312	.515	.114	-.174	-.987	105	362	-.432	.104	-.110	-1.023	105	437	-.383	.065	-.226	-.783
105	313	.534	.118	-.180	-1.099	105	363	-.449	.108	-.115	-1.154	105	438	-.343	.064	-.189	-.772
105	314	.501	.110	-.135	-.965	105	364	-.435	.101	-.148	-1.015	105	439	-.366	.059	-.203	-.657
105	315	.491	.094	-.143	-.896	105	365	-.382	.098	-.035	-.888	105	440	-.363	.051	-.187	-.625
105	316	.458	.089	-.116	-.873	105	366	-.289	.092	-.002	-.713	105	441	-.371	.046	-.182	-.589
105	317	.430	.082	-.134	-.865	105	367	-.254	.081	-.045	-.675	105	442	-.320	.047	-.155	-.527
105	318	.374	.078	-.144	-.883	105	368	-.206	.082	-.120	-.470	105	443	-.341	.050	-.139	-.552
105	319	.380	.075	-.129	-.886	105	369	-.489	.123	-.157	-1.127	105	444	-.350	.052	-.191	-.579
105	320	.388	.081	-.155	-.859	105	370	-.408	.102	-.117	-.782	105	445	-.356	.052	-.182	-.622
105	321	.568	.164	-.105	-1.516	105	371	-.423	.103	-.134	-.868	105	446	-.323	.082	-.098	-.886
105	322	.531	.160	-.117	-1.765	105	372	-.426	.106	-.058	-.887	105	447	-.351	.087	-.151	-.956
105	323	.545	.152	-.125	-1.434	105	373	-.371	.093	-.089	-.724	105	448	-.338	.064	-.141	-.689
105	324	.538	.136	-.134	-1.420	105	374	-.290	.085	-.002	-.621	105	449	-.341	.056	-.102	-.568
105	325	.516	.109	-.122	-.996	105	375	-.239	.072	-.160	-.569	105	450	-.302	.052	-.130	-.534
105	326	.445	.093	-.069	-.878	105	401	-.360	.075	-.146	-.723	105	451	-.324	.055	-.167	-.550
105	327	.411	.086	-.016	-.757	105	402	-.360	.072	-.143	-.710	105	452	-.353	.059	-.154	-.625
105	328	.366	.072	-.109	-.697	105	403	-.324	.072	-.092	-.784	105	453	-.362	.058	-.156	-.738
105	329	.352	.066	-.103	-.607	105	404	-.336	.073	-.122	-.774	105	454	-.323	.059	-.119	-.756
105	330	.317	.059	-.135	-.637	105	405	-.342	.080	-.097	-.783	105	455	-.345	.062	-.153	-.810
105	331	.565	.165	-.195	-1.540	105	406	-.349	.079	-.120	-.724	105	456	-.356	.065	-.189	-.874
105	332	.576	.167	-.181	-1.622	105	407	-.331	.076	-.141	-.901	105	457	-.371	.068	-.163	-.689
105	333	.577	.150	-.173	-1.301	105	408	-.345	.077	-.150	-.915	105	458	-.326	.063	-.144	-.635
105	334	.516	.133	-.018	-1.137	105	409	-.355	.074	-.137	-.703	105	501	-.352	.078	-.162	-.844
105	335	.490	.113	-.014	-.983	105	410	-.341	.060	-.146	-.719	105	502	-.239	.082	-.058	-.761
105	336	.436	.097	-.044	-.934	105	411	-.351	.056	-.210	-.762	105	503	-.383	.074	-.228	-.1.256
105	337	.375	.084	-.054	-.764	105	412	-.353	.053	-.191	-.689	105	504	-.270	.080	-.000	-.877
105	338	.298	.071	-.018	-.605	105	413	-.362	.053	-.189	-.676	105	505	-.375	.084	-.194	-.947
105	339	.293	.067	-.042	-.564	105	414	-.313	.054	-.142	-.587	105	506	-.272	.071	-.014	-.786
105	340	.248	.060	-.034	-.489	105	415	-.329	.058	-.146	-.614	105	507	-.182	.074	-.485	-.042
105	341	.543	.129	-.220	-1.214	105	416	-.340	.061	-.145	-.655	105	508	-.269	.119	-.904	-.007
105	342	.542	.147	-.199	-1.371	105	417	-.347	.064	-.172	-.608	105	509	-.262	.131	1.065	-.009

APPENDIX A -- PRESSURE DATA:

MAIN PLACE HOTEL -- CONF. A -- DALLAS , TEXAS

WD	TAP	CPMEAN	CPRMS	CPMAX	CPMIN	WD	TAP	CPMEAN	CPRMS	CPMAX	CPMIN	WD	TAP	CPMEAN	CPRMS	CPMAX	CPMIN
105	510	.180	.101	.733	-.044	105	605	-.209	.072	.002	-.498	105	655	-.137	.039	.014	-.286
105	511	.227	.109	.950	-.033	105	606	-.202	.038	-.071	-.342	105	701	-.066	.111	.289	-.602
105	512	.283	.133	1.005	-.005	105	607	-.149	.037	-.013	-.270	105	702	-.049	.132	.387	-.647
105	513	.236	.111	.869	-.034	105	608	-.112	.036	-.044	-.286	105	703	.004	.142	.472	-.643
105	514	.233	.105	.855	-.037	105	609	-.136	.044	.051	-.366	105	704	-.016	.149	.540	-.595
105	515	.230	.112	.689	-.061	105	610	-.223	.079	.000	-.607	105	705	-.002	.141	.544	-.893
105	516	.253	.158	.810	-.461	105	611	-.139	.035	.007	-.250	105	706	.009	.103	.323	-.736
105	517	.252	.137	.766	-.151	105	612	-.105	.036	.028	-.225	105	707	.103	.110	.544	-.398
105	518	.254	.153	.853	-.325	105	613	-.123	.040	.020	-.292	105	708	.085	.121	.607	-.409
105	519	.271	.190	1.002	-.808	105	614	-.181	.062	-.007	-.542	105	709	.045	.074	.348	-.348
105	520	.319	.141	.886	-.066	105	615	-.189	.039	-.061	-.333	105	710	.097	.087	.473	-.272
105	521	.300	.149	.849	-.133	105	616	-.171	.036	-.046	-.332	105	711	.094	.112	.516	-.562
105	522	.317	.152	.848	-.122	105	617	-.197	.043	-.047	-.440	105	712	.064	.098	.514	-.414
105	523	.373	.152	1.027	-.031	105	618	-.254	.050	-.089	-.431	105	713	-.070	.098	.208	-.553
105	524	.364	.152	.940	-.031	105	619	-.283	.057	-.090	-.499	105	715	-.092	.107	.204	-.815
105	525	.596	.185	.018	-.472	105	620	-.257	.049	-.096	-.450	105	716	-.019	.084	.330	-.288
105	526	.440	.097	.173	-.999	105	621	-.284	.053	-.080	-.496	105	717	-.053	.083	.231	-.527
105	527	.497	.127	.181	-.999	105	622	-.313	.055	-.147	-.527	105	718	-.078	.085	.220	-.586
105	528	.717	.204	.051	-.144	105	623	-.320	.054	-.130	-.582	105	719	.026	.100	.349	-.597
105	529	.722	.174	.147	-.487	105	624	-.269	.051	-.120	-.505	105	720	-.009	.077	.198	-.395
105	530	.651	.185	.387	-.134	105	625	-.143	.043	-.025	-.333	105	721	-.059	.096	.189	-.457
105	531	.622	.148	.037	-.588	105	626	-.173	.043	-.004	-.347	105	722	-.052	.059	.319	-.131
105	532	.586	.202	.288	-.150	105	627	-.209	.050	-.020	-.466	105	723	-.009	.072	.202	-.396
105	533	.469	.122	.091	-.066	105	628	-.186	.053	-.028	-.431	105	724	-.018	.098	.347	-.395
105	534	.429	.091	.180	-.099	105	629	-.208	.061	-.038	-.455	105	725	-.077	.072	.364	-.117
105	535	.372	.091	.103	-.777	105	630	-.258	.069	-.007	-.514	105	726	.046	.067	.347	-.141
105	536	.448	.134	.190	-.966	105	631	-.321	.072	-.052	-.632	105	727	.053	.062	.296	-.150
105	537	.600	.149	.129	-.400	105	632	-.282	.055	-.116	-.586	105	728	.054	.067	.312	-.172
105	538	.533	.304	.839	-.433	105	633	-.282	.054	-.114	-.516	105	729	.017	.080	.299	-.280
105	539	.611	.202	.404	-.299	105	634	-.146	.042	-.058	-.296	105	730	.001	.102	.370	-.498
105	540	.477	.270	.536	-.474	105	635	-.150	.044	-.088	-.310	105	731	.034	.123	.494	-.511
105	541	.476	.114	.116	-.022	105	636	-.109	.052	-.140	-.282	105	732	.014	.134	.537	-.706
105	542	.438	.089	.205	-.812	105	637	-.127	.070	-.109	-.395	105	733	.059	.118	.533	-.544
105	543	.376	.089	.116	-.833	105	638	-.172	.086	-.173	-.458	105	734	.053	.127	.690	-.868
105	544	.481	.146	.058	-.199	105	639	-.239	.081	-.148	-.504	105	735	.059	.119	.579	-.171
105	545	.542	.130	.142	-.179	105	640	-.230	.054	-.055	-.446	105	736	.091	.102	.493	-.384
105	546	.647	.147	.160	-.336	105	641	-.255	.055	-.051	-.534	105	737	.116	.116	.576	-.403
105	547	.629	.139	.223	-.255	105	642	-.284	.053	-.013	-.474	105	738	.094	.110	.506	-.429
105	548	.602	.126	.161	-.285	105	643	-.271	.044	-.133	-.436	105	739	.096	.099	.469	-.522
105	549	.549	.125	.176	-.020	105	644	-.226	.043	-.070	-.415	105	740	.116	.105	.533	-.298
105	550	.499	.092	.166	-.998	105	645	-.203	.043	-.070	-.476	105	741	.122	.107	.551	-.377
105	551	.394	.077	.168	-.719	105	646	-.166	.042	-.019	-.456	105	742	.115	.078	.450	-.168
105	552	.377	.084	.078	-.733	105	647	-.203	.048	-.000	-.405	105	743	.109	.088	.482	-.202
105	553	.378	.077	.100	-.668	105	648	-.217	.036	-.086	-.366	105	744	.119	.090	.480	-.244
105	554	.392	.087	.097	-.751	105	649	-.205	.033	-.094	-.351	105	745	.139	.094	.532	-.206
105	555	.350	.083	.111	-.701	105	650	-.167	.037	-.030	-.294	105	746	.132	.085	.661	-.151
105	601	.179	.044	.000	-.411	105	651	-.126	.042	-.030	-.323	105	747	.346	.038	.427	-.257
105	602	.149	.050	.020	-.445	105	652	-.213	.049	-.007	-.404	105	748	.141	.036	.244	-.037
105	603	.161	.053	.052	-.380	105	653	-.199	.040	-.047	-.337	120	1	-.274	.082	.000	-.994
105	604	.128	.054	.072	-.307	105	654	-.175	.038	-.032	-.361	120	2	-.820	.232	.022	-.057

APPENDIX A -- PRESSURE DATA:

MAIN PLACE HOTEL -- CONF. A -- DALLAS , TEXAS

WD	TAP	CPNEAN	CPRMS	CPHAX	CPHIN	WD	TAP	CPNEAN	CPRMS	CPHAX	CPHIN	WD	TAP	CPNEAN	CPRMS	CPHAX	CPHIN
1200	3	.327	.145	.814	.397	1200	53	.720	.193	1.241	-.053	1200	103	.197	.183	.830	-.321
1200	4	.430	.151	.838	.232	1200	54	.676	.205	1.238	-.215	1200	104	-.723	.301	.345	-1.831
1200	5	.511	.151	.994	.283	1200	55	.665	.191	1.248	-.026	1200	105	-.322	.093	.132	-.807
1200	6	.523	.153	.984	.143	1200	56	.593	.193	1.093	-.059	1200	106	-.436	.113	.124	-.898
1200	7	.550	.149	.976	.114	1200	57	.385	.205	.997	-.278	1200	107	-.887	.236	.117	-1.562
1200	8	.545	.152	.986	.056	1200	58	-.736	.300	.291	-1.848	1200	108	-.019	.124	.613	-.374
1200	9	.553	.157	.999	.127	1200	59	-.292	.075	-.026	-.669	1200	109	-.213	.128	.700	-.166
1200	10	.547	.163	1.041	.136	1200	60	.351	.158	.934	-.421	1200	110	-.273	.143	.778	-.274
1200	11	.566	.162	1.132	.102	1200	61	.654	.162	1.188	-.041	1200	111	-.286	.184	.810	-.498
1200	12	.554	.165	1.016	.129	1200	62	.681	.182	1.174	-.150	1200	112	-.430	.145	.840	-.005
1200	13	.565	.164	1.037	.180	1200	63	.775	.165	1.230	-.126	1200	113	-.484	.133	.922	.110
1200	14	.549	.172	.960	.291	1200	64	.784	.159	1.262	.213	1200	114	-.489	.130	.885	.102
1200	15	.560	.169	.993	.284	1200	65	.774	.162	1.394	.244	1200	115	-.505	.129	.902	.099
1200	16	.541	.177	.988	.276	1200	66	.764	.163	1.268	.200	1200	116	-.489	.129	.933	.131
1200	17	.523	.182	1.095	.134	1200	67	.784	.158	1.323	.221	1200	117	-.509	.127	1.002	.161
1200	18	.480	.185	1.041	.163	1200	68	.791	.142	1.152	.265	1200	118	-.492	.126	.948	.163
1200	19	.388	.182	1.011	.228	1200	69	.787	.160	1.322	.266	1200	119	-.499	.127	.969	.157
1200	20	.496	.253	.281	-1.707	1200	70	.778	.162	1.295	.244	1200	120	-.501	.137	1.007	.144
1200	21	.329	.076	-.074	-.654	1200	71	.792	.156	1.341	.291	1200	121	-.502	.133	1.020	.136
1200	22	.388	.147	.812	.258	1200	72	.771	.153	1.246	.279	1200	122	-.469	.131	.907	.102
1200	23	.511	.149	.944	.110	1200	73	.748	.156	1.188	.283	1200	123	-.462	.133	.929	.070
1200	24	.579	.155	1.034	.057	1200	74	.727	.159	1.140	.242	1200	124	-.446	.131	.928	.104
1200	25	.630	.154	1.104	.035	1200	75	.738	.161	1.190	.216	1200	125	-.428	.135	.939	.013
1200	26	.667	.158	1.129	.091	1200	76	.734	.173	1.255	.126	1200	126	-.358	.164	.794	.446
1200	27	.688	.159	1.157	.120	1200	77	.645	.186	1.100	-.282	1200	127	-.343	.151	.839	.251
1200	28	.694	.163	1.182	.141	1200	78	.602	.187	1.093	-.247	1200	128	-.266	.154	.865	.158
1200	29	.716	.157	1.167	.053	1200	79	.327	.188	.871	.301	1200	129	-.099	.163	.758	.396
1200	30	.586	.158	1.001	.115	1200	80	-.408	.127	-.101	-.002	1200	130	-.625	.226	.025	-1.430
1200	31	.706	.175	1.155	.046	1200	81	-.912	.262	-.101	-.877	1200	131	-.349	.103	.103	-.862
1200	32	.686	.181	1.130	.007	1200	82	.125	.146	.679	-.348	1200	132	-.476	.105	.151	-1.135
1200	33	.694	.179	1.127	.077	1200	83	.344	.148	.873	-.101	1200	133	-.772	.208	.009	-1.557
1200	34	.680	.184	1.182	.002	1200	84	.423	.153	.957	.169	1200	134	-.127	.095	.308	.459
1200	35	.669	.181	1.169	.055	1200	85	.450	.194	1.022	.465	1200	135	-.010	.103	.465	-.341
1200	36	.635	.188	1.098	.079	1200	86	.558	.157	.987	.097	1200	136	-.069	.114	.509	.532
1200	37	.594	.185	1.067	.107	1200	87	.586	.149	1.044	.162	1200	137	-.070	.165	.530	-.705
1200	38	.421	.189	.979	.262	1200	88	.621	.151	1.086	.158	1200	138	-.228	.115	.681	.100
1200	39	.348	.112	-.084	-1.068	1200	89	.633	.146	1.156	.199	1200	139	-.305	.111	.727	.000
1200	40	.839	.203	.042	-1.467	1200	90	.631	.149	1.097	.210	1200	140	-.350	.114	.748	.063
1200	41	.369	.154	.927	.263	1200	91	.644	.146	1.100	.238	1200	141	-.393	.114	.781	.098
1200	42	.528	.167	1.026	.180	1200	92	.631	.134	1.052	.180	1200	142	-.402	.121	.862	.084
1200	43	.639	.168	1.097	.156	1200	93	.635	.131	1.051	.172	1200	143	-.427	.121	.895	.105
1200	44	.675	.177	1.154	.190	1200	94	.619	.134	1.075	.136	1200	144	-.423	.118	.813	.092
1200	45	.704	.183	1.214	.031	1200	95	.608	.132	1.032	.137	1200	145	-.435	.114	.803	.107
1200	46	.538	.205	1.147	.197	1200	96	.600	.141	.989	.205	1200	146	-.412	.117	.830	.075
1200	47	.747	.175	1.141	.109	1200	97	.588	.137	.946	.161	1200	147	-.409	.114	.790	.099
1200	48	.755	.174	1.140	.101	1200	98	.564	.145	.962	.111	1200	148	-.376	.106	.739	.005
1200	49	.767	.172	1.191	.096	1200	99	.550	.154	.983	-.036	1200	149	-.349	.101	.696	.204
1200	50	.755	.176	1.246	.143	1200	100	.518	.200	1.124	-.255	1200	150	-.316	.105	.681	-.204
1200	51	.760	.176	1.262	.095	1200	101	.501	.171	1.123	-.013	1200	151	-.277	.107	.628	-.137
1200	52	.747	.186	1.239	.033	1200	102	.392	.176	1.032	-.109	1200	152	-.213	.124	.603	-.238

APPENDIX A -- PRESSURE DATA:

MAIN PLACE HOTEL -- CONF. A -- DALLAS , TEXAS

WD	TAP	CPMEAN	CPRMS	CPMAX	CPMIN	WD	TAP	CPMEAN	CPRMS	CPMAX	CPMIN	WD	TAP	CPMEAN	CPRMS	CPMAX	CPMIN
120	153	.188	.111	.609	-.153	120	203	-.043	.119	.491	-.867	120	337	-.442	.097	-.117	-.969
120	154	.134	.112	.606	-.223	120	204	-.397	.170	.277	-1.245	120	338	-.327	.089	-.063	-.775
120	155	.016	.135	.572	-.462	120	205	-.347	.097	.084	-.724	120	339	-.323	.081	-.002	-.689
120	156	-.489	.288	.362	-1.518	120	206	-.134	.080	.135	-.435	120	340	-.258	.080	-.021	-.530
120	157	-.404	.127	.100	-.953	120	207	-.353	.228	.187	-1.490	120	341	-.466	.129	-.109	-1.408
120	158	-.408	.111	-.036	-1.050	120	208	.124	.115	.555	-.212	120	342	-.452	.121	-.157	-1.128
120	159	-.524	.132	.122	-1.159	120	209	.272	.152	.884	-.081	120	343	-.484	.124	-.149	-1.241
120	160	-.118	.069	.236	-.370	120	210	.331	.168	1.185	-.026	120	344	-.501	.118	-.150	-1.131
120	161	-.026	.077	.275	-.311	120	211	.317	.156	1.092	-.098	120	345	-.526	.101	-.132	-.956
120	162	-.002	.088	.229	-.401	120	212	.230	.120	1.083	-.092	120	346	-.467	.091	-.068	-.840
120	163	-.065	.110	.388	-.527	120	213	.226	.130	.920	-.100	120	347	-.388	.104	-.057	-.733
120	164	.134	.104	.538	-.153	120	214	.196	.133	.786	-.137	120	348	-.284	.105	-.091	-.595
120	165	.331	.121	.829	.024	120	215	.146	.133	.795	-.182	120	349	-.281	.092	-.114	-.556
120	166	.423	.143	.968	.058	120	216	-.418	.192	.088	-1.394	120	350	-.286	.077	-.015	-.591
120	167	.518	.152	1.111	.089	120	301	-.388	.076	-.152	-.683	120	351	-.465	.108	-.184	-1.064
120	168	.530	.158	.206	.092	120	302	-.504	.091	-.238	-.860	120	352	-.474	.103	-.187	-.976
120	169	.467	.150	.138	.104	120	303	-.488	.100	-.141	-.953	120	353	-.500	.103	-.216	-.974
120	170	.538	.158	.218	.060	120	304	-.506	.104	-.095	-1.007	120	354	-.484	.102	-.170	-.954
120	171	.533	.147	.999	.165	120	305	-.532	.111	-.076	-1.231	120	355	-.482	.091	-.144	-.855
120	172	.519	.160	1.121	.117	120	306	-.546	.106	-.168	-1.093	120	356	-.385	.075	-.066	-.649
120	173	.520	.160	.190	.136	120	307	-.519	.108	-.091	-1.023	120	357	-.291	.090	-.084	-.613
120	174	.503	.153	.182	.144	120	308	-.492	.106	-.129	-1.024	120	358	-.194	.089	-.162	-.479
120	175	.451	.147	.611	.089	120	309	-.482	.117	-.136	-1.137	120	359	-.252	.090	-.090	-.803
120	176	.352	.121	.824	.039	120	310	-.382	.115	-.087	-1.264	120	360	-.278	.080	-.002	-.814
120	177	.159	.115	.600	.177	120	311	-.378	.067	-.181	-.679	120	361	-.434	.091	-.154	-.944
120	178	.029	.153	.490	.497	120	312	-.394	.069	-.179	-.745	120	362	-.433	.099	-.119	-1.075
120	179	.065	.094	.412	.345	120	313	-.414	.071	-.201	-.780	120	363	-.478	.106	-.167	-1.206
120	180	.016	.089	.406	.272	120	314	-.385	.072	-.148	-.685	120	364	-.487	.106	-.204	-.983
120	181	-.096	.113	.421	.468	120	315	-.421	.074	-.186	-.766	120	365	-.437	.101	-.045	-.827
120	182	-.506	.226	.197	-1.329	120	316	-.436	.080	-.116	-.838	120	366	-.284	.090	-.068	-.644
120	183	-.408	.102	.031	-.814	120	317	-.435	.080	-.117	-.790	120	367	-.223	.077	-.037	-.669
120	184	-.128	.096	.161	-.674	120	318	-.379	.074	-.177	-.848	120	368	-.163	.075	-.165	-.487
120	185	.114	.100	.220	.550	120	319	-.385	.075	-.159	-.897	120	369	-.469	.117	-.060	-1.046
120	186	-.083	.116	.346	.478	120	320	-.397	.085	-.170	-.895	120	370	-.395	.092	-.097	-.865
120	187	-.098	.133	.374	.671	120	321	-.436	.081	-.204	-.839	120	371	-.438	.102	-.124	-.950
120	188	-.118	.129	.331	.922	120	322	-.406	.082	-.170	-.823	120	372	-.469	.124	-.044	-1.315
120	189	-.135	.102	.333	.538	120	323	-.431	.085	-.184	-.848	120	373	-.382	.111	-.045	-.822
120	190	-.154	.112	.351	.603	120	324	-.450	.085	-.189	-.895	120	374	-.212	.104	-.177	-.591
120	191	-.114	.130	.366	.570	120	325	-.480	.081	-.251	-.872	120	375	-.149	.083	-.214	-.562
120	192	-.143	.157	.435	.786	120	326	-.462	.082	-.257	-.794	120	401	-.373	.098	-.103	-.963
120	193	-.116	.145	.399	.753	120	327	-.446	.080	-.219	-.783	120	402	-.383	.089	-.129	-.869
120	194	-.246	.096	.067	.644	120	328	-.401	.070	-.179	-.718	120	403	-.365	.088	-.107	-.811
120	195	-.568	.133	-.188	-.081	120	329	-.389	.065	-.164	-.663	120	404	-.399	.087	-.122	-.743
120	196	-.214	.121	.170	.657	120	330	-.346	.061	-.128	-.741	120	405	-.401	.088	-.118	-.750
120	197	-.178	.146	.282	.738	120	331	-.440	.096	-.189	-1.019	120	406	-.406	.082	-.159	-.735
120	198	-.152	.159	.413	.663	120	332	-.456	.102	-.189	-1.278	120	407	-.407	.068	-.163	-.715
120	199	-.089	.150	.474	.661	120	333	-.474	.102	-.204	-1.373	120	408	-.411	.063	-.188	-.639
120	200	-.077	.116	.576	.455	120	334	-.453	.107	-.155	-.063	120	409	-.414	.063	-.198	-.671
120	201	.016	.117	.433	.610	120	335	-.496	.103	-.206	-.975	120	410	-.380	.082	-.123	-.948
120	202	.027	.119	.481	.536	120	336	-.501	.098	-.120	-.944	120	411	-.407	.071	-.221	-.908

APPENDIX A -- PRESSURE DATA:

MAIN PLACE HOTEL -- CONF. A -- DALLAS , TEXAS

WD	TAP	CPMEAN	CPRMS	CPMAX	CPMIN	WD	TAP	CPMEAN	CPRMS	CPMAX	CPMIN	WD	TAP	CPMEAN	CPRMS	CPMAX	CPMIN
120	412	.424	.067	.242	.827	120	504	.352	.107	.067	-.925	120	554	.459	.129	.002	-.995
120	413	.443	.065	.229	.726	120	505	.466	.104	.154	-.950	120	555	.415	.141	.000	-.273
120	414	.388	.060	.191	.655	120	506	.376	.107	.085	-.107	120	601	.203	.062	.148	-.413
120	415	.408	.058	.212	.687	120	507	.413	.134	.935	.067	120	602	.123	.067	.243	-.371
120	416	.408	.056	.233	.661	120	508	.603	.196	1.429	.102	120	603	.110	.072	.300	-.536
120	417	.414	.058	.238	.712	120	509	.598	.205	1.485	.058	120	604	.126	.093	.201	-.633
120	418	.358	.056	.167	.618	120	510	.439	.166	1.173	.040	120	605	.189	.095	.122	-.566
120	419	.452	.080	.221	.950	120	511	.542	.182	1.535	.136	120	606	.265	.049	.111	-.438
120	420	.449	.062	.249	.750	120	512	.615	.198	1.547	.139	120	607	.138	.049	.065	-.317
120	421	.462	.053	.281	.686	120	513	.542	.177	1.390	.077	120	608	.076	.051	.100	-.453
120	422	.401	.050	.228	.551	120	514	.523	.166	1.323	.099	120	609	.090	.065	.134	-.389
120	423	.425	.050	.247	.580	120	515	.506	.176	1.528	.124	120	610	.169	.083	.079	-.445
120	424	.426	.051	.277	.583	120	516	.599	.177	1.066	.269	120	611	.130	.046	.048	-.380
120	425	.425	.031	.264	.633	120	517	.573	.171	1.108	.023	120	612	.072	.047	.142	-.222
120	426	.366	.052	.186	.611	120	518	.575	.174	1.117	.002	120	613	.074	.053	.184	-.301
120	427	.388	.055	.158	.677	120	519	.605	.166	1.140	-.207	120	614	.119	.064	.112	-.407
120	428	.486	.079	.284	.964	120	520	.631	.145	1.087	.035	120	615	.240	.046	.082	-.389
120	429	.499	.074	.286	.831	120	521	.614	.150	1.176	-.035	120	616	.250	.043	.112	-.462
120	430	.434	.057	.267	.639	120	522	.622	.150	1.121	.042	120	617	.287	.055	.111	-.562
120	431	.447	.052	.307	.644	120	523	.672	.162	1.160	.194	120	618	.367	.069	.153	-.611
120	432	.447	.051	.291	.633	120	524	.666	.165	1.171	.182	120	619	.402	.076	.183	-.702
120	433	.445	.053	.252	.674	120	525	.611	.138	-.297	-1.289	120	620	.385	.074	.166	-.747
120	434	.387	.052	.200	.618	120	526	.515	.101	.154	-.938	120	621	.436	.089	.196	-.827
120	435	.410	.055	.216	.661	120	527	.483	.115	.126	-.118	120	622	.474	.097	.211	-.902
120	436	.416	.056	.207	.630	120	528	.704	.155	.256	-.419	120	623	.472	.091	.214	-.832
120	437	.491	.086	.243	.102	120	529	.732	.130	-.354	-.280	120	624	.406	.076	.205	-.710
120	438	.440	.081	.214	.027	120	530	.752	.148	-.248	-.370	120	625	.187	.048	.010	-.363
120	439	.464	.070	.282	.801	120	531	.674	.113	.292	-.081	120	626	.232	.055	.055	-.445
120	440	.464	.068	.282	.910	120	532	.727	.148	.149	-.364	120	627	.288	.073	.066	-.577
120	441	.469	.062	.259	.724	120	533	.528	.102	.197	-.921	120	628	.252	.068	.065	-.539
120	442	.414	.061	.216	.734	120	534	.491	.093	.236	-.875	120	629	.264	.085	.019	-.621
120	443	.439	.064	.272	.764	120	535	.445	.101	.086	-.948	120	630	.336	.099	.017	-.816
120	444	.447	.065	.266	.731	120	536	.471	.121	.065	-.092	120	631	.472	.102	.161	-.942
120	445	.462	.071	.252	.781	120	537	.517	.120	.188	-.016	120	632	.436	.075	.223	-.841
120	446	.431	.123	.132	.988	120	538	.736	.178	.094	-.426	120	633	.426	.080	.205	-.808
120	447	.466	.123	.142	.043	120	539	.678	.125	.105	-.160	120	634	.135	.052	.059	-.293
120	448	.442	.082	.219	.762	120	540	.692	.171	.041	-.231	120	635	.136	.054	.096	-.303
120	449	.441	.071	.217	.757	120	541	.517	.106	.176	-.094	120	636	.090	.061	.161	-.299
120	450	.398	.068	.172	.776	120	542	.505	.099	.178	-.000	120	637	.092	.092	.361	-.370
120	451	.422	.072	.212	.838	120	543	.441	.103	.077	-.932	120	638	.145	.125	.440	-.457
120	452	.454	.076	.249	.881	120	544	.473	.115	.136	-.032	120	639	.283	.123	.219	-.639
120	453	.471	.079	.250	.902	120	545	.476	.106	.181	-.966	120	640	.335	.070	.091	-.616
120	454	.425	.078	.211	.815	120	546	.496	.114	.185	-.051	120	641	.381	.071	.186	-.664
120	455	.450	.084	.230	.847	120	547	.560	.118	.154	-.023	120	642	.278	.065	.048	-.547
120	456	.459	.087	.219	.857	120	548	.591	.124	.172	-.087	120	643	.328	.053	.142	-.529
120	457	.466	.100	.124	.923	120	549	.607	.123	.157	-.054	120	644	.299	.054	.107	-.527
120	458	.416	.091	.116	.962	120	550	.555	.106	.178	-.017	120	645	.280	.051	.135	-.549
120	501	.431	.100	.095	.194	120	551	.456	.101	.119	-.890	120	646	.230	.049	.053	-.397
120	502	.212	.098	.125	.773	120	552	.448	.110	.074	-.047	120	647	.204	.047	.004	-.439
120	503	.476	.093	.233	.988	120	553	.456	.117	.102	-.151	120	648	.256	.046	.087	-.415

APPENDIX A -- PRESSURE DATA:

MAIN PLACE HOTEL -- CONF. A -- DALLAS , TEXAS

WD	TAP	CPMEAN	CPRMS	CPMAX	CPMIN	WD	TAP	CPMEAN	CPRMS	CPMAX	CPMIN	WD	TAP	CPMEAN	CPRMS	CPMAX	CPMIN
120	649	.257	.044	.103	.401	120	745	.142	.114	.716	.182	135	47	.588	.180	1.029	.189
120	650	.213	.038	.084	.408	120	746	.195	.110	.602	.143	135	48	.572	.188	1.038	.157
120	651	.147	.042	.007	.317	120	747	.284	.034	.359	.194	135	49	.544	.204	1.034	.118
120	652	.191	.047	.025	.346	120	748	.144	.036	.253	.052	135	50	.517	.216	1.104	.196
120	653	.215	.038	.094	.354	135	1	.076	.082	.159	.407	135	51	.518	.210	1.049	.185
120	654	.186	.037	.049	.306	135	2	.009	.184	.497	.797	135	52	.491	.232	1.077	.317
120	655	.145	.048	.053	.317	135	3	.515	.156	.991	.155	135	53	.500	.224	1.132	.261
120	701	.184	.119	.190	.226	135	4	.522	.162	.995	.164	135	54	.423	.245	1.101	.406
120	702	.218	.137	.269	.845	135	5	.512	.167	1.014	.061	135	55	.422	.209	.915	.274
120	703	.168	.172	.639	.792	135	6	.486	.176	1.018	.151	135	56	.336	.218	.926	.375
120	704	.123	.213	.684	.845	135	7	.496	.172	1.059	.164	135	57	.135	.206	.762	.511
120	705	.104	.194	.623	.741	135	8	.466	.178	1.019	.202	135	58	.896	.295	1.120	.792
120	706	.041	.139	.334	.653	135	9	.456	.187	.940	.268	135	59	.361	.095	.034	.957
120	707	.233	.136	.690	.393	135	10	.434	.194	.919	.235	135	60	.542	.196	1.073	.327
120	708	.195	.115	.580	.497	135	11	.446	.190	.929	.194	135	61	.618	.189	1.101	.076
120	709	.059	.088	.429	.246	135	12	.423	.194	.987	.220	135	62	.586	.194	1.036	.147
120	710	.138	.079	.475	.128	135	13	.443	.205	.938	.294	135	63	.433	.226	.957	.504
120	711	.146	.082	.452	.466	135	14	.420	.213	.964	.363	135	64	.466	.192	.950	.308
120	712	.094	.079	.450	.181	135	15	.431	.208	.951	.308	135	65	.489	.177	.975	.146
120	713	.180	.121	.252	.645	135	16	.381	.216	.918	.366	135	66	.495	.182	.971	.043
120	715	.154	.161	.306	.113	135	17	.345	.210	.905	.374	135	67	.534	.182	1.059	.062
120	716	.120	.148	.265	.765	135	18	.285	.210	.982	.438	135	68	.546	.158	.939	.095
120	717	.129	.163	.310	.058	135	19	.170	.190	.817	.636	135	69	.560	.188	1.210	.002
120	718	.105	.152	.256	.047	135	20	.771	.260	.078	.846	135	70	.548	.191	1.171	.025
120	719	.241	.222	.419	.169	135	21	.383	.079	.081	.816	135	71	.572	.186	1.197	.013
120	720	.115	.174	.283	.179	135	22	.565	.177	1.066	.254	135	72	.554	.189	1.223	.162
120	721	.080	.174	.455	.953	135	23	.604	.159	1.062	.094	135	73	.515	.187	1.138	.072
120	722	.144	.112	.760	.197	135	24	.600	.166	1.178	.120	135	74	.487	.187	1.108	.158
120	723	.130	.174	.339	.251	135	25	.606	.161	1.157	.079	135	75	.495	.188	1.115	.185
120	724	.006	.107	.332	.519	135	26	.606	.166	1.183	.062	135	76	.472	.212	1.047	.366
120	725	.188	.130	.750	.092	135	27	.591	.181	1.138	.002	135	77	.409	.253	1.089	.469
120	726	.111	.108	.570	.247	135	28	.572	.191	1.119	.014	135	78	.379	.233	1.086	.299
120	727	.167	.128	.812	.193	135	29	.575	.189	1.070	.043	135	79	.087	.209	.666	.584
120	728	.184	.149	.729	.334	135	30	.442	.193	1.125	.105	135	80	.147	.088	.167	.489
120	729	.078	.115	.500	.433	135	31	.510	.206	1.036	.185	135	81	.033	.227	.700	.106
120	730	.045	.107	.530	.448	135	32	.483	.215	1.031	.208	135	82	.439	.206	1.020	.299
120	731	.079	.142	.509	.733	135	33	.490	.210	1.038	.172	135	83	.476	.201	1.017	.179
120	732	.079	.137	.386	.694	135	34	.473	.213	1.023	.202	135	84	.454	.201	1.050	.172
120	733	.008	.124	.473	.466	135	35	.435	.228	1.040	.261	135	85	.414	.187	1.001	.180
120	734	.012	.106	.471	.509	135	36	.398	.232	1.025	.413	135	86	.245	.187	.815	.387
120	735	.021	.107	.466	.652	135	37	.361	.215	.904	.294	135	87	.340	.161	.845	.348
120	736	.075	.110	.390	.546	135	38	.173	.200	.711	.508	135	88	.365	.148	.833	.109
120	737	.092	.093	.459	.384	135	39	.121	.079	1.115	.474	135	89	.414	.151	.882	.012
120	738	.072	.103	.418	.174	135	40	.055	.209	.574	.887	135	90	.411	.158	.937	.005
120	739	.080	.142	.493	.675	135	41	.574	.166	.973	.015	135	91	.437	.157	.903	.017
120	740	.097	.092	.397	.403	135	42	.609	.177	1.070	.000	135	92	.476	.152	1.033	.070
120	741	.091	.101	.564	.546	135	43	.632	.171	1.100	.047	135	93	.495	.152	1.067	.097
120	742	.139	.082	.482	.103	135	44	.618	.173	1.129	.009	135	94	.473	.161	1.056	.037
120	743	.127	.093	.582	.169	135	45	.603	.176	1.029	.157	135	95	.472	.159	1.002	.053
120	744	.125	.095	.565	.220	135	46	.533	.197	1.084	.142	135	96	.446	.158	1.019	.027

APPENDIX A -- PRESSURE DATA:

MAIN PLACE HOTEL -- CONF. A -- DALLAS, TEXAS

WD	TAP	CPMEAN	CPRMS	CPMAX	CPMIN	WD	TAP	CPMEAN	CPRMS	CPMAX	CPMIN	WD	TAP	CPMEAN	CPRMS	CPMAX	CPMIN
1335	97	.412	.146	.931	.010	1335	147	.253	.093	.695	.002	135	197	.080	.110	.250	.490
1335	98	.368	.149	.930	.034	1335	148	.217	.090	.685	.012	135	198	.072	.118	.283	.598
1335	99	.314	.150	.867	.126	1335	149	.191	.080	.535	.036	135	199	.045	.112	.296	.533
1335	100	.150	.262	.813	.900	1335	150	.150	.080	.443	.134	135	200	.148	.141	.700	.461
1335	101	.218	.191	.829	.605	1335	151	.107	.083	.432	.208	135	201	.086	.172	.639	.615
1335	102	.149	.187	.837	.604	1335	152	.045	.177	.648	.645	135	202	.113	.155	.718	.566
1335	103	.008	.205	.671	.531	1335	153	.086	.143	.659	.537	135	203	.061	.177	.746	.805
1335	104	.714	.329	.358	-1.709	1335	154	.068	.149	.667	.480	135	204	.314	.194	.488	.954
1335	105	.420	.134	.032	-1.045	1335	155	.020	.182	.687	.572	135	205	.350	.101	.064	.726
1335	106	.213	.113	.175	.623	1335	156	.415	.303	.673	-1.423	135	206	.144	.082	.226	.549
1335	107	.076	.249	.601	-1.021	1335	157	.404	.131	.424	-1.025	135	207	.346	.206	.235	.333
1335	108	.246	.213	.833	.409	1335	158	.337	.092	.101	.804	135	208	.033	.079	.346	.277
1335	109	.295	.193	.877	.289	1335	159	.408	.140	.274	-1.013	135	209	.066	.089	.667	.221
1335	110	.270	.179	.859	.304	1335	160	.138	.077	.232	.441	135	210	.145	.104	.841	.123
1335	111	.231	.158	.794	.304	1335	161	.066	.069	.267	.333	135	211	.160	.108	.648	.108
1335	112	.147	.147	.627	.419	1335	162	.036	.070	.273	.298	135	212	.248	.123	.738	.075
1335	113	.237	.135	.722	.454	1335	163	.053	.117	.479	.460	135	213	.234	.125	.760	.081
1335	114	.249	.125	.725	.202	1335	164	.044	.088	.431	.207	135	214	.190	.133	.824	.155
1335	115	.285	.123	.756	.072	1335	165	.183	.077	.679	.142	135	215	.123	.124	.751	.208
1335	116	.288	.122	.733	.114	1335	166	.251	.097	.819	.157	135	216	.380	.207	.471	.388
1335	117	.327	.119	.748	.036	1335	167	.326	.125	.844	.017	135	301	.400	.076	.085	.664
1335	118	.307	.123	.776	.005	1335	168	.351	.135	.942	.005	135	302	.433	.080	.192	.871
1335	119	.317	.124	.777	.022	1335	169	.373	.134	1.005	.076	135	303	.430	.086	.159	.785
1335	120	.334	.131	.910	.041	1335	170	.375	.144	1.016	.032	135	304	.449	.084	.115	.777
1335	121	.344	.134	1.106	.063	1335	171	.364	.122	.885	.015	135	305	.468	.084	.169	.767
1335	122	.308	.124	.930	.073	1335	172	.354	.133	.924	.012	135	306	.475	.079	.226	.809
1335	123	.291	.122	.915	.080	1335	173	.355	.136	1.047	.007	135	307	.450	.080	.203	.770
1335	124	.244	.120	.787	.053	1335	174	.348	.132	.984	.081	135	308	.428	.076	.204	.872
1335	125	.195	.113	.637	.236	1335	175	.314	.125	.903	.066	135	309	.424	.082	.196	.010
1335	126	.013	.208	.552	.884	1335	176	.264	.102	.678	.147	135	310	.378	.082	.152	.899
1335	127	.100	.170	.662	.775	1335	177	.167	.102	.593	.314	135	311	.413	.067	.171	.804
1335	128	.082	.161	.673	.399	1335	178	.100	.139	.701	.630	135	312	.403	.066	.173	.818
1335	129	.014	.195	.680	.595	1335	179	.116	.128	.668	.421	135	313	.424	.068	.208	.835
1335	130	.553	.255	.114	-1.229	1335	180	.088	.138	.743	.511	135	314	.413	.066	.118	.713
1335	131	.397	.150	.179	-1.033	1335	181	.000	.175	.753	.598	135	315	.470	.065	.220	.727
1335	132	.342	.104	.143	.651	1335	182	.393	.243	.458	-1.090	135	316	.450	.064	.181	.672
1335	133	.306	.228	.450	-1.079	1335	183	.389	.098	.024	.783	135	317	.445	.061	.228	.677
1335	134	.025	.170	.621	.416	1335	184	.092	.096	.299	.411	135	318	.391	.063	.142	.681
1335	135	.029	.151	.744	.367	1335	185	.057	.115	.309	.476	135	319	.422	.066	.174	.717
1335	136	.047	.131	.709	.288	1335	186	.011	.133	.423	.458	135	320	.402	.068	.213	.687
1335	137	.081	.114	.695	.301	1335	187	.000	.180	.592	-1.291	135	321	.460	.080	.191	.878
1335	138	.067	.091	.548	.256	1335	188	.022	.186	.588	.984	135	322	.436	.069	.225	.757
1335	139	.123	.093	.613	.263	1335	189	.065	.106	.279	.525	135	323	.488	.070	.266	.796
1335	140	.156	.087	.457	.254	1335	190	.059	.124	.310	.605	135	324	.481	.067	.275	.781
1335	141	.208	.084	.484	.104	1335	191	.003	.140	.401	.553	135	325	.511	.064	.301	.742
1335	142	.205	.087	.501	.110	1335	192	.008	.187	.586	.840	135	326	.475	.068	.230	.743
1335	143	.242	.086	.543	.022	1335	193	.044	.182	.623	.750	135	327	.476	.070	.210	.760
1335	144	.248	.087	.704	.019	1335	194	.184	.094	.209	.593	135	328	.406	.060	.211	.716
1335	145	.260	.085	.705	.039	1335	195	.371	.162	.313	.894	135	329	.399	.055	.216	.624
1335	146	.238	.091	.684	.000	1335	196	.117	.099	.229	.468	135	330	.367	.055	.152	.608

APPENDIX A -- PRESSURE DATA:

MAIN PLACE HOTEL -- CONF. A -- DALLAS , TEXAS

WD	TAP	CPMEAN	CPRMS	CPMAX	CPMIN	WD	TAP	CPMEAN	CPRMS	CPMAX	CPMIN	WD	TAP	CPMEAN	CPRMS	CPMAX	CPMIN
135	331	.501	.098	.223	-.080	135	406	.425	.071	.183	-.853	135	456	-.599	.129	-.239	-1.410
135	332	.492	.096	.171	-.036	135	407	.415	.064	.230	-.665	135	457	-.583	.129	-.251	-1.353
135	333	.484	.095	.203	-.056	135	408	.424	.062	.233	-.666	135	458	-.523	.114	-.210	-1.066
135	334	.484	.092	.196	-.002	135	409	.438	.061	.222	-.658	135	501	-.470	.102	-.187	-.986
135	335	.484	.087	.279	-.019	135	410	.417	.084	.192	-.834	135	502	-.341	.120	-.085	-.843
135	336	.456	.079	.255	-.866	135	411	.433	.072	.183	-.804	135	503	-.556	.115	-.244	-1.119
135	337	.456	.084	.163	-.770	135	412	.439	.067	.222	-.706	135	504	-.313	.072	-.035	-.575
135	338	.456	.082	.091	-.667	135	413	.456	.067	.237	-.737	135	505	-.434	.131	-.054	-1.232
135	339	.456	.079	.074	-.665	135	414	.402	.062	.199	-.643	135	506	-.301	.065	-.009	-.534
135	340	.456	.095	.061	-.643	135	415	.421	.060	.225	-.626	135	507	-.341	.130	-.009	-.098
135	341	.446	.125	.188	-.244	135	416	.421	.058	.232	-.612	135	508	-.470	.198	1.213	-.040
135	342	.456	.129	.176	-.304	135	417	.427	.054	.224	-.591	135	509	-.441	.195	1.270	-.028
135	343	.456	.137	.205	-.208	135	418	.371	.052	.200	-.549	135	510	-.281	.133	1.858	-.071
135	344	.456	.127	.216	-.150	135	419	.480	.086	.200	-.010	135	511	-.461	.200	1.643	-.022
135	345	.456	.104	.246	-.311	135	420	.476	.076	.228	-.886	135	512	-.511	.223	1.596	-.021
135	346	.456	.087	.213	-.890	135	421	.487	.064	.263	-.849	135	513	-.419	.183	1.382	-.019
135	347	.456	.099	.087	-.796	135	422	.417	.055	.250	-.666	135	514	-.424	.175	1.181	-.024
135	348	.456	.098	.045	-.746	135	423	.439	.056	.246	-.637	135	515	-.419	.182	1.215	-.010
135	349	.456	.095	.060	-.727	135	424	.437	.056	.253	-.650	135	516	-.461	.218	1.063	-.872
135	350	.456	.089	.078	-.610	135	425	.447	.058	.246	-.665	135	517	-.471	.203	1.113	-.314
135	351	.456	.143	.230	-.367	135	426	.386	.055	.185	-.598	135	518	-.438	.197	1.059	-.175
135	352	.456	.129	.139	-.244	135	427	.410	.057	.206	-.644	135	519	-.366	.251	1.969	-.677
135	353	.456	.129	.125	-.334	135	428	.525	.099	.272	-.971	135	520	-.521	.188	1.173	-.072
135	354	.456	.122	.074	-.255	135	429	.548	.100	.278	-.016	135	521	-.475	.197	1.160	-.197
135	355	.456	.107	.061	-.241	135	430	.469	.076	.250	-.823	135	522	-.485	.192	1.148	-.080
135	356	.456	.082	.104	-.677	135	431	.478	.074	.255	-.799	135	523	-.468	.182	1.112	-.004
135	357	.456	.088	.008	-.669	135	432	.481	.077	.288	-.912	135	524	-.476	.192	1.178	-.005
135	358	.456	.081	.145	-.497	135	433	.478	.071	.297	-.801	135	525	-.654	.140	1.259	-1.313
135	359	.456	.087	.013	-.578	135	434	.414	.067	.234	-.675	135	526	-.505	.105	1.143	-.993
135	360	.456	.084	.012	-.615	135	435	.436	.067	.234	-.710	135	527	-.490	.101	1.192	-1.010
135	361	.456	.120	.173	-.231	135	436	.435	.067	.241	-.713	135	528	-.674	.170	1.114	-1.367
135	362	.456	.120	.120	-.287	135	437	.603	.166	.139	-.132	135	529	-.708	.149	1.011	-1.293
135	363	.456	.125	.146	-.392	135	438	.515	.129	.166	-.220	135	530	-.635	.160	1.036	-1.184
135	364	.456	.124	.196	-.207	135	439	.514	.100	.246	-.993	135	531	-.657	.139	1.082	-1.132
135	365	.456	.126	.100	-.398	135	440	.540	.110	.255	-.103	135	532	-.743	.172	1.018	-1.381
135	366	.456	.124	.135	-.777	135	441	.585	.117	.311	-.363	135	533	-.528	.109	1.192	-.947
135	367	.456	.108	.082	-.645	135	442	.526	.108	.262	-.051	135	534	-.472	.098	1.141	-.865
135	368	.456	.096	.258	-.471	135	443	.542	.102	.248	-.033	135	535	-.441	.098	1.120	-.836
135	369	.456	.144	.143	-.419	135	444	.537	.097	.276	-.933	135	536	-.492	.117	1.148	-1.151
135	370	.456	.112	.149	-.904	135	445	.587	.111	.304	-.138	135	537	-.503	.109	1.226	-.996
135	371	.456	.117	.200	-.134	135	446	.307	.135	.084	-.054	135	538	-.549	.216	1.350	-1.130
135	372	.456	.134	.012	-.212	135	447	.353	.118	.002	-.954	135	539	-.640	.186	1.149	-1.215
135	373	.466	.139	.181	-.046	135	448	.436	.118	.073	-.028	135	540	-.713	.227	1.340	-1.472
135	374	.466	.141	.341	-.811	135	449	.485	.114	.005	-.040	135	541	-.513	.108	1.141	-.931
135	375	.466	.120	.220	-.637	135	450	.444	.101	.058	-.009	135	542	-.487	.102	1.182	-.982
135	401	.400	.090	.146	-.006	135	451	.487	.101	.138	-.984	135	543	-.461	.107	1.131	-.985
135	402	.413	.084	.128	-.903	135	452	.542	.104	.175	-.018	135	544	-.501	.119	1.139	-1.219
135	403	.439	.081	.132	-.765	135	453	.572	.108	.189	-.145	135	545	-.496	.106	1.138	-1.076
135	404	.440	.083	.174	-.993	135	454	.536	.109	.208	-.110	135	546	-.505	.106	1.202	-.962
135	405	.422	.082	.164	-.912	135	455	.579	.119	.241	-.136	135	547	-.587	.123	1.232	-1.085

APPENDIX A -- PRESSURE DATA:

MAIN PLACE HOTEL -- CONF. A -- DALLAS, TEXAS

WD	TAP	CPMEAN	CPRMS	CPMAX	CPMIN	WD	TAP	CPMEAN	CPRMS	CPMAX	CPMIN	WD	TAP	CPMEAN	CPRMS	CPMAX	CPMIN
1335	548	.630	.126	.273	-.066	135	643	.251	.063	.002	-.809	135	739	.138	.159	.586	-.525
1335	549	.602	.125	.071	-.137	135	644	.278	.094	.056	-.892	135	740	.140	.097	.567	-.461
1335	550	.525	.101	.260	-.892	135	645	.291	.260	.069	-.806	135	741	.155	.134	.620	-.637
1335	551	.468	.087	.203	-.876	135	646	.209	.062	.030	-.527	135	742	.222	.103	.630	-.167
1335	552	.434	.089	.132	-.827	135	647	.186	.053	.014	-.389	135	743	.195	.103	.688	-.251
1335	553	.427	.093	.078	-.817	135	648	.232	.049	.028	-.393	135	744	.208	.109	.607	-.324
1335	554	.427	.100	.025	-.861	135	649	.242	.048	.097	-.406	135	745	.241	.128	.874	-.392
1335	555	.401	.096	.125	-.813	135	650	.206	.047	.065	-.399	135	746	.248	.121	.859	-.267
1335	601	.173	.088	.198	-.499	135	651	.137	.049	.009	-.325	135	747	.488	.018	.534	-.435
1335	602	.133	.102	.397	-.514	135	652	.176	.059	.068	-.419	135	748	.242	.043	.385	-.109
1335	603	.140	.102	.419	-.444	135	653	.195	.045	.009	-.340	150	1	.036	.112	.358	-.379
1335	604	.118	.082	.255	-.482	135	654	.181	.045	.021	-.375	150	2	.252	.175	.712	-.517
1335	605	.159	.095	.399	-.620	135	655	.144	.053	.056	-.337	150	3	.508	.151	.932	-.029
1335	606	.190	.068	.174	-.389	135	701	.093	.121	.256	-.774	150	4	.468	.145	.879	-.052
1335	607	.106	.079	.303	-.333	135	702	.098	.143	.347	-.666	150	5	.428	.149	.860	-.090
1335	608	.092	.073	.196	-.319	135	703	.058	.173	.480	-.625	150	6	.381	.147	.920	-.132
1335	609	.099	.070	.194	-.431	135	704	.027	.197	.700	-.805	150	7	.394	.143	.903	-.107
1335	610	.133	.081	.118	-.489	135	705	.032	.204	.814	-.604	150	8	.355	.139	.780	-.137
1335	611	.102	.063	.143	-.298	135	706	.042	.116	.466	-.501	150	9	.366	.129	.711	-.151
1335	612	.076	.063	.156	-.267	135	707	.172	.139	.664	-.415	150	10	.336	.130	.701	-.119
1335	613	.076	.066	.182	-.288	135	708	.137	.168	.653	-.686	150	11	.341	.123	.706	-.084
1335	614	.099	.080	.161	-.409	135	709	.079	.080	.346	-.426	150	12	.308	.121	.669	-.071
1335	615	.180	.053	.029	-.330	135	710	.155	.089	.492	-.423	150	13	.273	.125	.724	-.220
1335	616	.203	.046	.036	-.350	135	711	.183	.111	.564	-.403	150	14	.235	.126	.697	-.247
1335	617	.214	.050	.043	-.396	135	712	.113	.082	.431	-.473	150	15	.249	.120	.737	-.183
1335	618	.249	.053	.058	-.464	135	713	.099	.116	.233	-.543	150	16	.179	.116	.588	-.197
1335	619	.277	.056	.078	-.482	135	715	.103	.136	.205	-.100	150	17	.170	.107	.600	-.347
1335	620	.293	.049	.134	-.486	135	716	.018	.106	.283	-.475	150	18	.096	.105	.525	-.300
1335	621	.324	.055	.157	-.533	135	717	.066	.129	.318	-.092	150	19	.022	.090	.369	-.376
1335	622	.352	.056	.176	-.622	135	718	.060	.121	.222	-.688	150	20	.669	.165	.266	-.565
1335	623	.361	.060	.186	-.659	135	719	.018	.143	.359	-.776	150	21	.507	.093	.224	-.956
1335	624	.342	.063	.149	-.626	135	720	.020	.127	.325	-.951	150	22	.589	.161	.064	-.056
1335	625	.160	.055	.016	-.385	135	721	.038	.136	.391	-.892	150	23	.583	.157	.983	-.027
1335	626	.176	.050	.025	-.348	135	722	.109	.077	.492	-.130	150	24	.543	.157	.962	-.022
1335	627	.218	.057	.027	-.426	135	723	.001	.125	.389	-.156	150	25	.534	.146	.977	.014
1335	628	.238	.057	.027	-.439	135	724	.048	.105	.403	-.672	150	26	.530	.150	.960	-.023
1335	629	.288	.064	.025	-.508	135	725	.136	.102	.765	-.104	150	27	.508	.146	.935	-.073
1335	630	.326	.061	.100	-.535	135	726	.098	.089	.506	-.168	150	28	.485	.150	.903	-.126
1335	631	.354	.056	.166	-.536	135	727	.113	.091	.552	-.210	150	29	.492	.143	.872	-.119
1335	632	.347	.066	.178	-.740	135	728	.138	.105	.742	-.251	150	30	.397	.142	.801	-.073
1335	633	.346	.070	.166	-.747	135	729	.084	.103	.496	-.280	150	31	.449	.133	.837	-.021
1335	634	.166	.049	.027	-.335	135	730	.064	.116	.461	-.545	150	32	.406	.136	.808	-.089
1335	635	.186	.049	.047	-.330	135	731	.017	.177	.645	-.761	150	33	.402	.131	.823	-.037
1335	636	.186	.058	.018	-.335	135	732	.038	.180	.690	-.846	150	34	.373	.131	.819	-.081
1335	637	.222	.070	.082	-.419	135	733	.077	.167	.670	-.609	150	35	.285	.129	.650	-.247
1335	638	.272	.074	.033	-.706	135	734	.112	.142	.605	-.842	150	36	.236	.125	.580	-.289
1335	639	.315	.066	.103	-.508	135	735	.115	.147	.629	-.839	150	37	.187	.112	.532	-.281
1335	640	.350	.058	.149	-.505	135	736	.122	.152	.522	-.536	150	38	.008	.096	.337	-.420
1335	641	.319	.066	.130	-.935	135	737	.157	.111	.552	-.492	150	39	.003	.116	.371	-.547
1335	642	.239	.067	.022	-.540	135	738	.141	.138	.607	-.117	150	40	.314	.225	.977	-.856

APPENDIX A -- PRESSURE DATA:

MAIN PLACE HOTEL -- CONF. A -- DALLAS, TEXAS

WD	TAP	CPMEAN	CPRMS	CPMAX	CPMIN	WD	TAP	CPMEAN	CPRMS	CPMAX	CPMIN	WD	TAP	CPMEAN	CPRMS	CPMAX	CPMIN
150	41	.623	.160	1.014	.031	150	91	.339	.145	1.091	.041	150	141	.309	.139	.789	-.106
150	42	.613	.158	.990	.089	150	92	.577	.144	1.053	.072	150	142	.328	.134	.860	-.080
150	43	.609	.147	.987	.131	150	93	.576	.144	1.060	.056	150	143	.377	.133	.890	-.012
150	44	.579	.144	.981	.123	150	94	.566	.148	1.089	.058	150	144	.383	.128	.879	-.005
150	45	.543	.161	1.025	-.121	150	95	.579	.151	1.091	.053	150	145	.382	.126	.852	-.005
150	46	.454	.180	.992	-.354	150	96	.601	.149	1.034	.115	150	146	.365	.129	.836	-.002
150	47	.334	.164	1.008	-.179	150	97	.597	.146	.995	.154	150	147	.370	.131	.821	-.026
150	48	.521	.164	.967	-.231	150	98	.573	.148	.983	.166	150	148	.349	.133	.829	-.031
150	49	.524	.147	.949	-.362	150	99	.518	.146	.957	.019	150	149	.334	.132	.772	-.034
150	50	.495	.150	.925	-.287	150	100	.161	.196	.712	-.638	150	150	.300	.140	.776	-.106
150	51	.485	.143	.924	-.129	150	101	.263	.123	.642	-.251	150	151	.246	.144	.787	-.187
150	52	.433	.156	.931	-.158	150	102	.126	.109	.484	-.294	150	152	.034	.183	.577	-.617
150	53	.340	.174	.797	-.318	150	103	.069	.090	.242	-.438	150	153	.021	.121	.534	-.350
150	54	.223	.164	.729	-.415	150	104	.525	.141	.236	-1.314	150	154	.046	.108	.475	-.034
150	55	.253	.130	.694	-.209	150	105	.487	.089	.215	-.874	150	155	.193	.107	.310	-.552
150	56	.162	.122	.574	-.222	150	106	.260	.140	.234	-.790	150	156	.699	.197	.164	-1.505
150	57	.000	.102	.274	-.460	150	107	.103	.303	.869	-1.120	150	157	.513	.124	.037	-1.077
150	58	.612	.168	-.287	-1.413	150	108	.283	.198	1.022	-.253	150	158	.349	.103	.079	-.893
150	59	.478	.083	-.215	-.825	150	109	.350	.178	1.024	-.130	150	159	.367	.207	.428	-1.063
150	60	.612	.172	1.058	.127	150	110	.359	.166	.908	-.072	150	160	.102	.100	.373	-.366
150	61	.638	.154	1.042	-.044	150	111	.354	.154	.816	-.117	150	161	.043	.084	.318	-.296
150	62	.598	.151	1.001	-.026	150	112	.355	.153	.836	-.155	150	162	.005	.080	.283	-.322
150	63	.493	.167	.942	-.218	150	113	.376	.161	.833	-.147	150	163	.019	.150	.625	-.474
150	64	.574	.154	.987	-.089	150	114	.388	.162	.839	-.219	150	164	.089	.107	.689	-.209
150	65	.562	.147	1.088	-.040	150	115	.418	.155	.888	-.196	150	165	.253	.120	.813	-.061
150	66	.563	.150	1.068	-.017	150	116	.437	.136	.838	-.081	150	166	.329	.140	.932	-.066
150	67	.590	.147	1.116	-.057	150	117	.471	.135	.968	-.014	150	167	.374	.157	.960	-.012
150	68	.605	.129	1.019	-.177	150	118	.471	.135	.913	-.022	150	168	.398	.164	.060	-.010
150	69	.616	.144	1.138	.163	150	119	.479	.135	.941	-.024	150	169	.435	.167	.038	-.014
150	70	.602	.147	1.116	.145	150	120	.478	.153	.915	-.007	150	170	.417	.166	.038	-.027
150	71	.620	.144	1.250	.185	150	121	.481	.158	.929	-.024	150	171	.440	.150	.060	-.022
150	72	.620	.150	1.175	.131	150	122	.480	.158	.937	-.063	150	172	.430	.164	.157	-.027
150	73	.595	.161	1.046	.065	150	123	.487	.163	1.039	-.098	150	173	.433	.166	.158	-.051
150	74	.584	.161	1.016	.061	150	124	.468	.151	1.080	-.007	150	174	.428	.159	.131	-.054
150	75	.575	.154	1.038	.094	150	125	.418	.150	1.004	-.072	150	175	.387	.150	.053	-.022
150	76	.498	.157	1.054	-.015	150	126	.143	.177	.675	-.687	150	176	.314	.134	.921	-.030
150	77	.271	.155	.770	-.270	150	127	.207	.127	.649	-.280	150	177	.150	.116	.632	-.242
150	78	.279	.131	.692	-.183	150	128	.101	.114	.545	-.311	150	178	.054	.137	.396	-.701
150	79	.027	.095	.294	-.443	150	129	.102	.101	.299	-.529	150	179	.008	.110	.349	-.459
150	80	.116	.131	.248	-.537	150	130	.595	.139	.345	-1.330	150	180	.049	.101	.309	-.485
150	81	.087	.290	.801	-.115	150	131	.504	.098	.239	-1.053	150	181	.170	.118	.365	-.615
150	82	.460	.191	.978	-.111	150	132	.443	.131	.136	-.889	150	182	.602	.218	.170	-1.463
150	83	.496	.174	.962	-.036	150	133	.443	.304	.539	-1.446	150	183	.454	.122	.068	-1.156
150	84	.530	.165	.972	-.007	150	134	.013	.159	.692	-.388	150	184	.175	.107	.301	-.883
150	85	.507	.155	.956	-.029	150	135	.073	.149	.665	-.304	150	185	.166	.108	.255	-.740
150	86	.406	.159	.863	-.135	150	136	.122	.146	.769	-.327	150	186	.145	.119	.258	-.519
150	87	.447	.159	.854	-.227	150	137	.148	.139	.671	-.295	150	187	.132	.147	.349	-.828
150	88	.469	.155	.943	-.064	150	138	.179	.129	.658	-.210	150	188	.124	.165	.353	-1.157
150	89	.491	.154	.997	-.152	150	139	.224	.133	.680	-.220	150	189	.139	.115	.247	-.649
150	90	.501	.151	1.080	-.014	150	140	.283	.141	.805	-.134	150	190	.155	.126	.327	-.595

APPENDIX A -- PRESSURE DATA:

MAIN PLACE HOTEL -- CONF. A -- DALLAS, TEXAS

WD	TAP	CPMEAN	CPRMS	CPMAX	CPMIN	WD	TAP	CPMEAN	CPRMS	CPMAX	CPMIN	WD	TAP	CPMEAN	CPRMS	CPMAX	CPMIN
150	191	-.146	.132	.408	-.701	150	325	-.435	.055	-.231	-.696	150	375	-.309	.086	-.088	-.630
150	192	-.162	.151	.366	-.682	150	326	-.399	.054	-.211	-.578	150	401	-.494	.141	-.019	-1.254
150	193	-.141	.154	.394	-.845	150	327	-.432	.056	-.248	-.618	150	402	-.495	.122	-.118	-1.052
150	194	-.142	.084	.379	-.467	150	328	-.424	.059	-.226	-.654	150	403	-.516	.155	-.082	-1.386
150	195	-.463	.200	.385	-1.503	150	329	-.450	.063	-.229	-.691	150	404	-.599	.173	-.098	-1.438
150	196	-.077	.094	.261	-.470	150	330	-.453	.078	-.170	-.784	150	405	-.587	.165	-.141	-1.395
150	197	-.062	.104	.333	-.451	150	331	-.462	.078	-.235	-.748	150	406	-.581	.131	-.214	-1.253
150	198	-.067	.110	.333	-.539	150	332	-.448	.072	-.226	-.724	150	407	-.557	.118	-.240	-1.374
150	199	-.061	.108	.320	-.476	150	333	-.467	.069	-.253	-.745	150	408	-.564	.104	-.273	-1.109
150	200	-.046	.152	.468	-.572	150	334	-.437	.070	-.194	-.777	150	409	-.578	.100	-.293	-1.007
150	201	-.001	.146	.488	-.627	150	335	-.476	.069	-.238	-.825	150	410	-.522	.143	-.169	-1.203
150	202	-.081	.177	.482	-.755	150	336	-.435	.066	-.187	-.695	150	411	-.530	.121	-.192	-1.127
150	203	-.112	.196	.554	-.923	150	337	-.415	.066	-.211	-.676	150	412	-.566	.129	-.063	-1.069
150	204	-.347	.188	.221	-1.040	150	338	-.391	.064	-.149	-.624	150	413	-.630	.133	-.156	-1.468
150	205	-.382	.141	.056	-1.041	150	339	-.451	.072	-.245	-.713	150	414	-.586	.129	-.252	-1.448
150	206	-.071	.089	.261	-.499	150	340	-.357	.076	-.069	-.671	150	415	-.593	.117	-.268	-1.483
150	207	-.164	.180	.333	-.882	150	341	-.499	.106	-.219	-1.020	150	416	-.575	.097	-.247	-1.275
150	208	-.002	.090	.333	-.356	150	342	-.466	.098	-.194	-.933	150	417	-.568	.094	-.278	-1.118
150	209	-.057	.102	.597	-.291	150	343	-.519	.101	-.248	-1.003	150	418	-.505	.089	-.187	-1.011
150	210	-.102	.110	.711	-.187	150	344	-.514	.096	-.241	-.950	150	419	-.628	.138	-.111	-1.162
150	211	-.108	.109	.679	-.198	150	345	-.515	.085	-.184	-.882	150	420	-.615	.117	-.158	-1.076
150	212	-.124	.145	.806	-.338	150	346	-.442	.076	-.194	-.743	150	421	-.637	.116	-.212	-1.135
150	213	-.129	.148	.885	-.311	150	347	-.421	.073	-.038	-.705	150	422	-.597	.111	-.171	-1.009
150	214	-.121	.154	.826	-.280	150	348	-.368	.068	-.056	-.675	150	423	-.638	.115	-.275	-1.072
150	215	-.097	.144	.934	-.315	150	349	-.386	.074	-.108	-.764	150	424	-.636	.110	-.263	-1.067
150	216	-.302	.225	.453	-1.582	150	350	-.379	.084	-.103	-.760	150	425	-.614	.101	-.297	-1.010
150	301	-.434	.077	.165	-.769	150	351	-.579	.126	-.260	-1.235	150	426	-.546	.093	-.238	-.849
150	302	-.443	.075	-.194	-.858	150	352	-.572	.124	-.287	-1.361	150	427	-.558	.094	-.284	-.866
150	303	-.439	.075	.222	-.814	150	353	-.591	.129	-.278	-1.445	150	428	-.647	.170	-.133	-1.398
150	304	-.444	.074	.234	-.776	150	354	-.557	.124	-.264	-1.079	150	429	-.653	.130	-.132	-1.137
150	305	-.447	.074	.213	-.766	150	355	-.554	.104	-.273	-1.028	150	430	-.618	.121	-.222	-1.171
150	306	-.449	.068	.236	-.730	150	356	-.456	.075	-.163	-.724	150	431	-.675	.125	-.321	-1.171
150	307	-.431	.072	.139	-.796	150	357	-.387	.077	-.012	-.693	150	432	-.694	.126	-.324	-1.170
150	308	-.431	.072	.164	-.766	150	358	-.285	.065	-.026	-.549	150	433	-.688	.117	-.250	-1.333
150	309	-.437	.079	.193	-.764	150	359	-.329	.071	-.103	-.713	150	434	-.611	.109	-.183	-1.314
150	310	-.414	.094	.175	-1.115	150	360	-.304	.075	-.017	-.651	150	435	-.626	.106	-.252	-1.287
150	311	-.429	.070	.183	-.703	150	361	-.623	.144	-.280	-1.600	150	436	-.626	.104	-.273	-1.088
150	312	-.412	.069	.170	-.705	150	362	-.596	.155	-.216	-1.456	150	437	-.511	.147	-.092	-1.248
150	313	-.426	.070	.175	-.745	150	363	-.637	.161	-.198	-1.766	150	438	-.472	.122	-.072	-.902
150	314	-.396	.057	.211	-.626	150	364	-.569	.139	-.160	-1.273	150	439	-.583	.133	-.141	-1.067
150	315	-.436	.056	.268	-.663	150	365	-.479	.116	-.069	-.983	150	440	-.667	.140	-.221	-1.300
150	316	-.417	.057	.248	-.654	150	366	-.358	.098	-.074	-.849	150	441	-.764	.151	-.295	-1.413
150	317	-.425	.058	.226	-.639	150	367	-.335	.086	-.073	-.708	150	442	-.731	.148	-.264	-1.441
150	318	-.397	.065	.218	-.660	150	368	-.256	.096	-.114	-.617	150	443	-.749	.145	-.226	-1.444
150	319	-.444	.071	.225	-.733	150	369	-.683	.188	-.140	-1.563	150	444	-.746	.143	-.240	-2.025
150	320	-.446	.082	.222	-.760	150	370	-.540	.143	-.074	-1.379	150	445	-.744	.153	-.328	-1.281
150	321	-.437	.066	.162	-.737	150	371	-.573	.148	-.160	-1.463	150	446	-.268	.092	-.067	-.794
150	322	-.401	.062	.180	-.626	150	372	-.514	.163	-.112	-1.504	150	447	-.318	.106	-.002	-.926
150	323	-.445	.061	.230	-.663	150	373	-.429	.130	-.005	-1.091	150	448	-.390	.121	-.086	-.948
150	324	-.430	.058	.219	-.654	150	374	-.319	.099	-.153	-.815	150	449	-.422	.123	-.050	-1.262

APPENDIX A -- PRESSURE DATA:

MAIN PLACE HOTEL -- CONF. A -- DALLAS, TEXAS

WD	TAP	CPMEAN	CPRMS	CPMAX	CPMIN	WD	TAP	CPMEAN	CPRMS	CPMAX	CPMIN	WD	TAP	CPMEAN	CPRMS	CPMAX	CPMIN	
150	4550	.405	.128	.002	-1.106	150	542	.652	.125	.207	-1.067	150	637	.277	.062	.027	-1.504	
150	4551	.466	.138	.058	-1.169	150	543	.566	.140	.127	-1.681	150	638	.323	.067	.015	-1.559	
150	4552	.541	.147	.042	-1.249	150	544	.497	.104	.207	-1.000	150	639	.369	.071	.117	-1.711	
150	4553	.597	.147	.064	-1.210	150	545	.497	.100	.204	-1.954	150	640	.373	.074	.172	-1.849	
150	4554	.590	.148	.093	-1.205	150	546	.516	.107	.220	-1.977	150	641	.396	.096	.133	-1.086	
150	4555	.669	.156	.146	-1.289	150	547	.604	.131	.175	-1.083	150	642	.324	.072	.050	-1.601	
150	4556	.726	.171	.217	-1.477	150	548	.673	.135	.235	-1.162	150	643	.383	.094	.143	-1.986	
150	4557	.783	.196	.269	-1.609	150	549	.756	.127	.221	-1.272	150	644	.332	.093	.110	-1.948	
150	4558	.717	.169	.266	-1.525	150	550	.616	.120	.240	-1.109	150	645	.290	.065	.069	-1.688	
150	4559	.547	.137	.143	-1.157	150	551	.536	.114	.151	-1.059	150	646	.232	.047	.047	-1.408	
150	4560	.429	.123	.028	-1.014	150	552	.500	.117	.111	-1.188	150	647	.268	.056	.066	-1.490	
150	4561	.526	.150	.061	-2.020	150	553	.497	.112	.075	-1.976	150	648	.300	.054	.133	-1.536	
150	4562	.327	.064	.111	-1.583	150	554	.496	.115	.004	-1.964	150	649	.293	.050	.150	-1.528	
150	4563	.357	.123	.062	-1.356	150	555	.476	.119	.166	-1.126	150	650	.260	.043	.125	-1.418	
150	4564	.293	.058	.002	-1.492	150	601	.155	.111	.271	-1.480	150	651	.205	.045	.021	-1.404	
150	4565	.348	.132	.835	.005	150	602	.104	.118	.436	-1.509	150	652	.284	.055	.067	-1.510	
150	4566	.483	.187	.222	.039	150	603	.105	.110	.341	-1.537	150	653	.274	.046	.115	-1.420	
150	4567	.433	.190	.196	-1.023	150	604	.122	.084	.258	-1.466	150	654	.242	.044	.087	-1.382	
150	4568	.302	.153	.944	.114	150	605	.091	.093	.378	-1.402	150	655	.216	.044	.078	-1.364	
150	4569	.439	.194	.305	.028	150	606	.201	.103	.204	-1.555	150	701	.174	.125	.436	-1.729	
150	4570	.487	.206	.453	.005	150	607	.103	.099	.405	-1.378	150	702	.187	.141	.401	-1.764	
150	4571	.419	.188	.229	.021	150	608	.069	.092	.627	-1.323	150	703	.180	.160	.529	-1.628	
150	4572	.418	.181	.198	.002	150	609	.068	.081	.638	-1.404	150	704	.148	.186	.627	-1.854	
150	4573	.426	.189	.116	.002	150	610	.064	.075	.390	-1.450	150	705	.159	.184	.498	-1.005	
150	4574	.492	.153	.990	.174	150	611	.113	.080	.308	-1.381	150	706	.012	.141	.387	-1.621	
150	4575	.500	.167	.989	.099	150	612	.078	.070	.395	-1.297	150	707	.133	.167	.748	-1.541	
150	4576	.472	.174	.965	.196	150	613	.056	.069	.307	-1.289	150	708	.094	.150	.568	-1.539	
150	4577	.468	.167	.960	.151	150	614	.039	.076	.325	-1.342	150	709	.013	.098	.448	-1.395	
150	4578	.581	.159	.080	.104	150	615	.216	.068	.128	-1.449	150	710	.074	.091	.463	-1.334	
150	4579	.525	.169	.991	.402	150	616	.247	.041	.120	-1.391	150	711	.084	.102	.493	-1.531	
150	4580	.522	.170	.972	.331	150	617	.258	.048	.096	-1.438	150	712	.052	.089	.350	-1.499	
150	4581	.564	.161	.100	.063	150	618	.290	.052	.068	-1.487	150	713	.163	.120	.333	-1.722	
150	4582	.566	.163	.106	.082	150	619	.311	.055	.068	-1.550	150	714	.158	.134	.161	-1.817	
150	4583	.868	.163	.441	-1.476	150	620	.326	.059	.131	-1.627	150	715	.069	.124	.286	-1.681	
150	4584	.626	.126	.264	-1.192	150	621	.361	.077	.091	-1.820	150	716	.131	.147	.221	-1.881	
150	4585	.502	.109	.135	-1.050	150	622	.413	.086	.202	-1.050	150	717	.121	.155	.246	-1.927	
150	4586	.637	.148	.249	-1.339	150	623	.473	.098	.246	-1.151	150	718	.131	.188	.425	-1.909	
150	4587	.808	.141	.428	-1.465	150	624	.472	.105	.240	-1.218	150	719	.068	.160	.331	-1.512	
150	4588	.793	.177	.198	-1.514	150	625	.235	.048	.044	-1.435	150	720	.052	.157	.433	-1.945	
150	4589	.785	.127	.299	-1.264	150	626	.248	.047	.081	-1.452	150	721	.054	.090	.463	-1.246	
150	4590	.853	.148	.435	-1.526	150	627	.273	.054	.081	-1.524	150	722	.084	.156	.382	-1.032	
150	4591	.722	.114	.294	-1.129	150	628	.284	.054	.070	-1.491	150	723	.001	.117	.352	-1.703	
150	4592	.634	.118	.119	-1.239	150	629	.318	.064	.098	-1.598	150	724	.066	.104	.576	-1.219	
150	4593	.536	.139	.048	-1.118	150	630	.367	.072	.145	-1.700	150	725	.032	.104	.430	-1.263	
150	4594	.486	.109	.147	-1.993	150	631	.412	.082	.134	-1.763	150	726	.070	.127	.682	-1.253	
150	4595	.529	.108	.219	-1.998	150	632	.451	.103	.186	-1.207	150	727	.097	.137	.719	-1.270	
150	4596	.799	.200	.018	-1.648	150	633	.461	.112	.209	-1.257	150	728	.051	.126	.528	-1.531	
150	4597	.804	.145	.223	-1.273	150	634	.250	.043	.092	-1.439	150	729	.020	.117	.794	-1.536	
150	4598	.846	.163	.153	-1.411	150	635	.247	.043	.090	-1.411	150	730	.105	.155	.380	-1.700	
150	4599	.724	.127	.289	-1.287	150	636	.247	.052	.004	-1.419	150	731	.061	.155	.361	-1.796	
150	4600					150						150	732		.155			

APPENDIX A -- PRESSURE DATA:

MAIN PLACE HOTEL -- CONF. A -- DALLAS , TEXAS

WD	TAP	CPMEAN	CPRMS	CPMAX	CPMIN	WD	TAP	CPMEAN	CPRMS	CPMAX	CPMIN	WD	TAP	CPMEAN	CPRMS	CPMAX	CPMIN
1550	733	.015	.141	.447	.667	165	35	.095	.105	.429	.267	165	85	.501	.114	.821	.141
1550	734	.000	.138	.438	.772	165	36	.054	.101	.379	.292	165	86	.409	.108	.803	.027
1550	735	.002	.140	.389	.142	165	37	.022	.087	.308	.299	165	87	.416	.108	.774	.060
1550	736	.018	.141	.482	.630	165	38	.147	.070	.069	.436	165	88	.415	.124	.827	.141
1550	737	.042	.142	.479	.706	165	39	.099	.148	.533	.548	165	89	.359	.139	.848	.123
1550	738	.018	.153	.583	.941	165	40	.617	.181	1.061	.269	165	90	.353	.136	.976	.193
1550	739	.012	.172	.576	.920	165	41	.660	.146	1.144	.186	165	91	.499	.130	.962	.082
1550	740	.050	.123	.471	.610	165	42	.582	.135	1.078	.129	165	92	.511	.132	.983	.079
1550	741	.038	.155	.537	.771	165	43	.544	.120	.986	.150	165	93	.494	.130	.975	.078
1550	742	.106	.102	.519	.326	165	44	.488	.114	.884	.085	165	94	.439	.128	.945	.051
1550	743	.091	.117	.535	.551	165	45	.470	.113	.822	.041	165	95	.444	.143	.984	.044
1550	744	.096	.121	.671	.449	165	46	.401	.142	.819	.153	165	96	.550	.157	1.140	.031
1550	745	.093	.135	.817	.423	165	47	.432	.130	.769	.313	165	97	.605	.152	1.047	.065
1550	746	.119	.117	.658	.544	165	48	.403	.140	.760	.294	165	98	.588	.149	1.051	.118
1550	747	.333	.029	.410	.264	165	49	.366	.155	.772	.577	165	99	.486	.124	.847	.024
1550	748	.101	.044	.234	.000	165	50	.346	.157	.780	.087	165	100	.087	.176	.604	.803
1655	1	.192	.134	.562	.319	165	51	.354	.150	.766	.656	165	101	.127	.095	.542	.339
1655	2	.491	.152	.909	.077	165	52	.296	.159	.718	.587	165	102	.007	.078	.346	.282
1655	3	.523	.130	.951	.084	165	53	.232	.144	.565	.446	165	103	.169	.060	.082	.465
1655	4	.460	.114	.813	.000	165	54	.042	.133	.421	.545	165	104	.475	.056	.295	.151
1655	5	.320	.115	.641	.000	165	55	.097	.098	.378	.311	165	105	.486	.056	.268	.801
1655	6	.246	.110	.535	.164	165	56	.006	.090	.298	.313	165	106	.053	.144	.497	.590
1655	7	.285	.117	.603	.098	165	57	.151	.076	1.102	.467	165	107	.373	.211	.997	.673
1655	8	.218	.105	.514	.109	165	58	.573	.066	.320	.006	165	108	.551	.164	1.016	.022
1655	9	.210	.100	.510	.169	165	59	.517	.062	.266	.806	165	109	.536	.150	1.024	.118
1655	10	.170	.104	.488	.191	165	60	.684	.155	1.137	.161	165	110	.499	.140	.907	.113
1655	11	.184	.101	.505	.360	165	61	.571	.127	.958	.114	165	111	.461	.126	.853	.095
1655	12	.150	.102	.460	.256	165	62	.498	.123	.870	.072	165	112	.391	.110	.756	.004
1655	13	.140	.097	.431	.310	165	63	.434	.122	.801	.033	165	113	.390	.112	.743	.025
1655	14	.092	.096	.396	.335	165	64	.435	.124	.803	.099	165	114	.372	.112	.743	.124
1655	15	.112	.093	.407	.385	165	65	.435	.121	.908	.241	165	115	.331	.127	.816	.101
1655	16	.005	.088	.284	.379	165	66	.382	.143	.887	.099	165	116	.326	.120	.827	.004
1655	17	.001	.085	.329	.279	165	67	.403	.143	.984	.164	165	117	.465	.118	.953	.076
1655	18	.076	.082	.245	.333	165	68	.514	.115	.848	.199	165	118	.464	.119	.965	.091
1655	19	.170	.066	.049	.433	165	69	.553	.146	1.084	.091	165	119	.462	.119	.968	.088
1655	20	.613	.083	.325	.255	165	70	.526	.145	1.001	.072	165	120	.403	.121	.856	.086
1655	21	.577	.078	.276	.341	165	71	.513	.139	1.007	.098	165	121	.389	.142	.915	.013
1655	22	.636	.149	.009	.038	165	72	.511	.159	1.049	.017	165	122	.468	.145	.954	.042
1655	23	.533	.129	.898	.041	165	73	.572	.170	1.203	.019	165	123	.537	.151	1.078	.088
1655	24	.454	.123	.780	.017	165	74	.601	.169	1.216	.035	165	124	.520	.144	1.021	.088
1655	25	.422	.112	.701	.016	165	75	.596	.151	1.096	.021	165	125	.419	.123	.799	.047
1655	26	.422	.120	.746	.036	165	76	.457	.130	.929	.052	165	126	.107	.164	.406	.714
1655	27	.382	.107	.665	.010	165	77	.029	.134	.449	.524	165	127	.077	.097	.437	.355
1655	28	.337	.110	.642	.050	165	78	.110	.101	.439	.259	165	128	.007	.084	.509	.258
1655	29	.344	.106	.659	.021	165	79	.155	.065	.432	.432	165	129	.181	.069	.174	.428
1655	30	.288	.129	.655	.000	165	80	.011	.134	.441	.448	165	130	.496	.046	.348	.703
1655	31	.318	.108	.650	.053	165	81	.458	.199	.969	.533	165	131	.488	.060	.309	.756
1655	32	.264	.109	.590	.124	165	82	.613	.156	1.078	.131	165	132	.184	.146	.287	.699
1655	33	.260	.101	.561	.136	165	83	.594	.143	1.085	.187	165	133	.169	.224	.803	.674
1655	34	.219	.100	.526	.190	165	84	.554	.126	.930	.139	165	134	.370	.155	.903	.027

APPENDIX A -- PRESSURE DATA:

MAIN PLACE HOTEL -- CONF. A -- DALLAS , TEXAS

WD	TAP	CPMEAN	CPRMS	CPMAX	CPMIN	WD	TAP	CPMEAN	CPRMS	CPMAX	CPMIN	WD	TAP	CPMEAN	CPRMS	CPMAX	CPMIN
165	135	.380	.138	.858	.022	165	185	.051	.195	.494	.901	165	319	.465	.066	.260	.839
165	136	.384	.133	.807	.007	165	186	.057	.131	.409	.565	165	320	.444	.070	.229	.816
165	137	.361	.120	.734	.056	165	187	.086	.112	.422	.667	165	321	.436	.050	.219	.617
165	138	.325	.107	.681	.078	165	188	.117	.094	.211	.601	165	322	.411	.047	.270	.565
165	139	.333	.106	.739	.049	165	189	.112	.184	.691	.649	165	323	.461	.048	.314	.615
165	140	.329	.107	.785	.044	165	190	.044	.190	.622	.637	165	324	.444	.047	.305	.622
165	141	.295	.119	.757	.067	165	191	.055	.144	.477	.578	165	325	.463	.049	.309	.696
165	142	.278	.119	.721	.086	165	192	.086	.110	.304	.505	165	326	.436	.053	.253	.632
165	143	.371	.116	.809	.088	165	193	.092	.092	.254	.474	165	327	.495	.062	.259	.745
165	144	.375	.123	.904	.007	165	194	.075	.094	.481	.191	165	328	.484	.080	.292	.869
165	145	.364	.120	.882	.000	165	195	.009	.182	.608	.702	165	329	.502	.113	.260	.173
165	146	.325	.118	.869	.033	165	196	.103	.096	.463	.211	165	330	.484	.171	.254	.117
165	147	.316	.130	.873	.062	165	197	.123	.095	.494	.141	165	331	.461	.057	.254	.673
165	148	.388	.144	.873	.090	165	198	.139	.096	.508	.186	165	332	.439	.053	.282	.642
165	149	.429	.145	.004	.016	165	199	.139	.097	.553	.200	165	333	.450	.051	.301	.650
165	150	.415	.144	.049	.022	165	200	.145	.111	.229	.641	165	334	.404	.053	.174	.669
165	151	.311	.116	.770	.068	165	201	.156	.147	.282	.695	165	335	.453	.054	.280	.652
165	152	.216	.168	.324	.070	165	202	.266	.158	.238	.895	165	336	.443	.058	.244	.682
165	153	.058	.087	.333	.412	165	203	.386	.196	.249	.037	165	337	.459	.063	.260	.719
165	154	.124	.076	.260	.369	165	204	.624	.238	.201	.310	165	338	.436	.067	.233	.716
165	155	.260	.069	.136	.514	165	205	.482	.146	.316	.086	165	339	.484	.078	.239	.841
165	156	.527	.091	.314	.207	165	206	.121	.107	.536	.146	165	340	.426	.099	.115	.911
165	157	.516	.077	.277	.899	165	207	.101	.099	.479	.269	165	341	.480	.061	.283	.714
165	158	.086	.136	.501	.484	165	208	.153	.094	.548	.118	165	342	.464	.060	.231	.689
165	159	.136	.171	.734	.615	165	209	.181	.103	.602	.091	165	343	.518	.063	.265	.753
165	160	.193	.131	.654	.173	165	210	.212	.111	.759	.074	165	344	.502	.062	.247	.728
165	161	.188	.118	.593	.119	165	211	.229	.123	.805	.109	165	345	.491	.068	.283	.747
165	162	.187	.111	.580	.134	165	212	.163	.166	.950	.229	165	346	.420	.066	.188	.627
165	163	.202	.111	.642	.329	165	213	.150	.149	.862	.269	165	347	.460	.075	.200	.740
165	164	.236	.130	.694	.319	165	214	.115	.129	.766	.265	165	348	.481	.099	.209	.899
165	165	.268	.122	.701	.067	165	215	.068	.115	.645	.496	165	349	.502	.107	.150	.913
165	166	.280	.125	.744	.066	165	216	.515	.317	.475	.745	165	350	.439	.112	.136	.217
165	167	.324	.126	.788	.005	165	301	.466	.065	.258	.724	165	351	.522	.075	.299	.852
165	168	.328	.134	.907	.008	165	302	.477	.069	.243	.808	165	352	.515	.069	.312	.760
165	169	.359	.127	.979	.005	165	303	.474	.070	.227	.743	165	353	.534	.072	.319	.816
165	170	.327	.134	.004	.099	165	304	.475	.066	.241	.734	165	354	.511	.086	.263	.128
165	171	.285	.142	.793	.044	165	305	.477	.064	.249	.748	165	355	.552	.096	.278	.067
165	172	.276	.151	.847	.088	165	306	.476	.059	.273	.692	165	356	.493	.089	.252	.798
165	173	.273	.151	.852	.086	165	307	.459	.061	.274	.714	165	357	.434	.106	.013	.826
165	174	.270	.153	.831	.104	165	308	.461	.064	.292	.913	165	358	.351	.094	.005	.669
165	175	.288	.153	.998	.088	165	309	.460	.073	.249	.965	165	359	.403	.112	.081	.815
165	176	.262	.147	.950	.088	165	310	.413	.069	.181	.761	165	360	.384	.118	.023	.836
165	177	.155	.129	.657	.215	165	311	.463	.054	.288	.644	165	361	.544	.117	.283	.479
165	178	.133	.103	.198	.633	165	312	.444	.053	.274	.637	165	362	.496	.087	.270	.044
165	179	.066	.074	.240	.456	165	313	.456	.054	.278	.671	165	363	.550	.087	.327	.060
165	180	.124	.068	.221	.416	165	314	.416	.053	.193	.615	165	364	.540	.084	.257	.022
165	181	.260	.070	.042	.568	165	315	.464	.053	.273	.673	165	365	.560	.089	.286	.979
165	182	.574	.108	.171	.051	165	316	.447	.053	.282	.660	165	366	.494	.096	.286	.076
165	183	.506	.080	.287	.948	165	317	.456	.054	.291	.666	165	367	.490	.094	.010	.880
165	184	.044	.274	.596	.312	165	318	.418	.059	.238	.798	165	368	.431	.098	.090	.798

APPENDIX A -- PRESSURE DATA:

MAIN PLACE HOTEL -- CONF. A -- DALLAS, TEXAS

WD	TAP	CPMEAN	CPRMS	CPMAX	CPMIN	WD	TAP	CPMEAN	CPRMS	CPMAX	CPMIN	WD	TAP	CPMEAN	CPRMS	CPMAX	CPMIN
165	369	.521	.125	.217	-1.270	165	444	.950	.206	.331	-2.416	165	536	.472	.076	.223	-1.851
165	370	.461	.097	.188	-1.294	165	445	.938	.184	.477	-1.719	165	537	.535	.095	.198	-1.088
165	371	.520	.096	.231	-1.363	165	446	.303	.104	.031	-1.865	165	538	.831	.206	.005	-1.615
165	372	.511	.094	.204	-1.244	165	447	.346	.125	.015	-1.986	165	539	.875	.144	.169	-1.355
165	373	.520	.090	.227	-1.147	165	448	.418	.152	.004	-1.137	165	540	.833	.217	.356	-1.453
165	374	.498	.093	.218	-1.987	165	449	.440	.141	.029	-1.280	165	541	.812	.152	.355	-1.398
165	375	.507	.088	.223	-1.909	165	450	.432	.145	.015	-1.094	165	542	.626	.135	.272	-1.084
165	401	.489	.090	.111	-1.992	165	451	.501	.164	.009	-1.341	165	543	.406	.102	.120	-1.850
165	402	.568	.129	.204	-1.177	165	452	.585	.181	.084	-1.282	165	544	.480	.072	.243	-1.770
165	403	.542	.141	.151	-1.060	165	453	.701	.197	.135	-1.467	165	545	.493	.074	.266	-1.829
165	404	.633	.165	.174	-1.192	165	454	.741	.203	.150	-1.756	165	546	.531	.092	.284	-1.888
165	405	.741	.185	.227	-1.439	165	455	.864	.220	.231	-1.935	165	547	.588	.112	.224	-1.074
165	406	.929	.167	.380	-1.374	165	456	.960	.239	.313	-1.939	165	548	.644	.120	.255	-1.112
165	407	.020	.166	.504	-1.733	165	457	.033	.242	.388	-2.295	165	549	.736	.141	.278	-1.195
165	408	.044	.164	.544	-1.741	165	458	.964	.217	.386	-2.040	165	550	.530	.095	.283	-1.907
165	409	.070	.160	.461	-1.622	165	501	.705	.175	.181	-1.938	165	551	.437	.076	.183	-1.799
165	410	.421	.070	.152	-1.854	165	502	.588	.165	.078	-1.357	165	552	.425	.063	.196	-1.699
165	411	.433	.085	.137	-1.903	165	503	.571	.180	.108	-2.246	165	553	.482	.089	.133	-1.788
165	412	.466	.114	.124	-1.999	165	504	.445	.070	.088	-1.646	165	554	.482	.157	.017	-1.147
165	413	.555	.152	.131	-1.166	165	505	.364	.119	.062	-1.396	165	555	.414	.068	.128	-1.717
165	414	.714	.174	.108	-1.266	165	506	.291	.064	.000	-1.662	165	601	.079	.134	.402	-1.478
165	415	.954	.173	.372	-1.649	165	507	.374	.149	.936	-1.038	165	602	.015	.150	.648	-1.351
165	416	.053	.168	.551	-1.655	165	508	.329	.146	.951	-1.192	165	603	.021	.140	.732	-1.313
165	417	.090	.174	.605	-1.688	165	509	.342	.139	.971	-1.103	165	604	.112	.141	.651	-1.230
165	418	.009	.164	.527	-1.658	165	510	.355	.131	.988	-1.007	165	605	.075	.114	.643	-1.223
165	419	.484	.117	.117	-1.658	165	511	.336	.139	.001	-1.005	165	606	.167	.094	.247	-1.472
165	420	.525	.134	.120	-1.055	165	512	.340	.134	.231	-1.000	165	607	.010	.102	.507	-1.250
165	421	.636	.175	.065	-1.205	165	513	.345	.133	.178	-1.035	165	608	.030	.096	.556	-1.238
165	422	.710	.181	.004	-1.333	165	514	.334	.129	.013	-1.027	165	609	.044	.090	.557	-1.206
165	423	.858	.184	.007	-1.333	165	515	.351	.146	.956	-1.000	165	610	.057	.085	.525	-1.174
165	424	.918	.165	.193	-1.522	165	516	.450	.142	.889	-1.018	165	611	.050	.076	.291	-1.250
165	425	.936	.147	.502	-1.622	165	517	.414	.161	.936	-1.163	165	612	.018	.079	.424	-1.197
165	426	.842	.130	.457	-1.466	165	518	.355	.154	.864	-1.393	165	613	.061	.074	.393	-1.123
165	427	.849	.128	.451	-1.400	165	519	.394	.128	.819	-1.034	165	614	.095	.073	.459	-1.126
165	428	.510	.133	.151	-1.555	165	520	.469	.165	.132	-1.009	165	615	.214	.080	.097	-1.456
165	429	.563	.145	.059	-1.007	165	521	.264	.251	.914	-1.048	165	616	.272	.074	.087	-1.522
165	430	.607	.167	.044	-1.225	165	522	.354	.152	.813	-1.309	165	617	.275	.068	.093	-1.535
165	431	.742	.181	.095	-1.388	165	523	.456	.138	.908	-1.060	165	618	.290	.064	.058	-1.595
165	432	.870	.181	.089	-1.619	165	524	.457	.144	.932	-1.044	165	619	.309	.069	.058	-1.655
165	433	.902	.178	.218	-1.719	165	525	.019	.135	.544	-1.523	165	620	.345	.076	.087	-1.664
165	434	.831	.155	.395	-1.552	165	526	.377	.165	.046	-1.259	165	621	.392	.092	.125	-1.793
165	435	.830	.145	.460	-2.136	165	527	.498	.075	.217	-1.886	165	622	.461	.107	.152	-1.001
165	436	.816	.134	.460	-1.588	165	528	.633	.124	.155	-1.281	165	623	.557	.114	.213	-1.147
165	437	.474	.133	.164	-1.168	165	529	.924	.145	.281	-1.463	165	624	.560	.115	.262	-1.290
165	438	.446	.148	.106	-1.033	165	530	.848	.172	.007	-1.487	165	625	.289	.074	.059	-1.638
165	439	.548	.183	.004	-1.188	165	531	.841	.130	.373	-1.406	165	626	.279	.062	.077	-1.561
165	440	.653	.204	.011	-1.188	165	532	.916	.146	.334	-1.499	165	627	.284	.057	.097	-1.502
165	441	.838	.247	.074	-1.799	165	533	.799	.145	.276	-1.286	165	628	.287	.060	.063	-1.542
165	442	.875	.225	.040	-1.751	165	534	.580	.141	.114	-1.087	165	629	.333	.072	.113	-1.616
165	443	.952	.218	.066	-2.332	165	535	.330	.130	.149	-1.761	165	630	.398	.085	.131	-1.754

APPENDIX A -- PRESSURE DATA:

MAIN PLACE HOTEL -- CONF. A -- DALLAS, TEXAS

WD	TAP	CPMEAN	CPRMS	CPMAX	CPMIN	WD	TAP	CPMEAN	CPRMS	CPMAX	CPMIN	WD	TAP	CPMEAN	CPRMS	CPMAX	CPMIN
165	631	.465	.096	.129	.873	165	727	.308	.120	.738	.038	180	29	.203	.078	.437	.127
165	632	.520	.101	.166	.975	165	728	.240	.109	.604	.065	180	30	.145	.085	.380	.366
165	633	.523	.101	.255	1.305	165	729	.162	.091	.519	.111	180	31	.160	.082	.412	.196
165	634	.306	.069	.106	.559	165	730	.115	.081	.480	.253	180	32	.107	.087	.364	.287
165	635	.282	.056	.112	.492	165	731	.032	.103	.348	.515	180	33	.113	.086	.357	.226
165	636	.257	.054	.077	.455	165	732	.062	.097	.246	.692	180	34	.072	.085	.322	.322
165	637	.282	.065	.042	.496	165	733	.036	.092	.302	.424	180	35	.044	.066	.153	.438
165	638	.332	.076	.024	.590	165	734	.147	.133	.183	.803	180	36	.093	.063	.107	.396
165	639	.401	.084	.046	.737	165	735	.131	.119	.215	.781	180	37	.109	.055	.075	.331
165	640	.423	.090	.082	.835	165	736	.118	.126	.370	.685	180	38	.239	.045	.098	.405
165	641	.457	.112	.022	1.011	165	737	.207	.178	.322	1.060	180	39	.459	.149	.860	.070
165	642	.359	.092	.000	.759	165	738	.268	.175	.166	.917	180	40	.731	.137	1.067	.252
165	643	.388	.086	.114	.788	165	739	.170	.183	.537	.808	180	41	.502	.127	.840	.079
165	644	.392	.100	.150	.854	165	740	.050	.121	.247	.568	180	42	.418	.105	.703	.065
165	645	.366	.110	.145	.847	165	741	.231	.178	.268	.874	180	43	.382	.091	.663	.049
165	646	.282	.090	.014	.626	165	742	.153	.098	.617	.150	180	44	.332	.084	.615	.026
165	647	.311	.066	.069	.568	165	743	.011	.124	.352	.689	180	45	.335	.078	.608	.060
165	648	.337	.067	.125	.630	165	744	.057	.141	.327	.697	180	46	.270	.093	.515	.172
165	649	.347	.087	.106	.721	165	745	.151	.140	.661	.454	180	47	.278	.086	.555	.310
165	650	.328	.108	.086	.986	165	746	.159	.110	.606	.180	180	48	.270	.095	.527	.262
165	651	.277	.106	.034	.817	165	747	.278	.036	.347	.195	180	49	.213	.103	.522	.359
165	652	.338	.060	.087	.649	165	748	.179	.066	.363	.002	180	50	.179	.112	.471	.144
165	653	.323	.064	.063	.774	180	1	.479	.148	.859	.029	180	51	.196	.115	.515	.399
165	654	.359	.103	.138	.840	180	2	.600	.139	.937	.110	180	52	.150	.136	.494	.559
165	655	.339	.114	.120	.872	180	3	.378	.104	.672	.012	180	53	.089	.126	.409	.488
165	701	.235	.177	.880	.919	180	4	.267	.079	.527	.057	180	54	.112	.090	.182	.513
165	702	.181	.176	.755	.527	180	5	.221	.071	.462	.043	180	55	.112	.069	.193	.324
165	703	.087	.158	.654	.368	180	6	.159	.070	.376	.095	180	56	.130	.062	.110	.700
165	704	.021	.138	.613	.460	180	7	.217	.075	.482	.033	180	57	.243	.049	.045	.416
165	705	.033	.114	.444	.569	180	8	.146	.069	.339	.100	180	58	.499	.053	.324	.703
165	706	.237	.100	.636	.140	180	9	.132	.068	.354	.156	180	59	.453	.052	.275	.654
165	707	.202	.105	.664	.191	180	10	.081	.071	.307	.207	180	60	.547	.129	.882	.110
165	708	.070	.087	.496	.362	180	11	.092	.069	.308	.160	180	61	.426	.092	.754	.074
165	709	.169	.082	.552	.186	180	12	.056	.070	.289	.191	180	62	.349	.085	.638	.032
165	710	.124	.076	.515	.213	180	13	.043	.067	.383	.206	180	63	.325	.077	.564	.052
165	711	.022	.085	.387	.270	180	14	.002	.068	.344	.279	180	64	.313	.078	.546	.033
165	712	.069	.085	.378	.335	180	15	.021	.066	.322	.256	180	65	.304	.076	.586	.055
165	713	.180	.125	.625	.355	180	16	.108	.056	.169	.343	180	66	.257	.081	.509	.142
165	715	.125	.112	.592	.349	180	17	.117	.059	.136	.357	180	67	.274	.087	.522	.085
165	716	.231	.095	.599	.057	180	18	.190	.057	.045	.416	180	68	.324	.075	.603	.062
165	717	.187	.089	.560	.152	180	19	.253	.047	.047	.442	180	69	.336	.098	.754	.060
165	718	.137	.080	.515	.126	180	20	.518	.063	.291	.775	180	70	.305	.094	.681	.022
165	719	.273	.105	.669	.167	180	21	.496	.062	.309	.794	180	71	.296	.087	.696	.016
165	720	.211	.080	.544	.036	180	22	.481	.116	.780	.019	180	72	.266	.102	.754	.067
165	721	.139	.075	.422	.174	180	23	.382	.103	.711	.048	180	73	.346	.142	.969	.007
165	722	.276	.099	.643	.007	180	24	.306	.097	.583	.005	180	74	.429	.175	1.057	.025
165	723	.218	.090	.723	.146	180	25	.281	.085	.510	.007	180	75	.487	.178	1.107	.012
165	724	.117	.075	.390	.151	180	26	.286	.083	.551	.007	180	76	.374	.141	.734	.103
165	725	.280	.114	.827	.005	180	27	.271	.084	.507	.041	180	77	.150	.098	.161	.515
165	726	.284	.123	.963	.027	180	28	.203	.081	.426	.140	180	78	.079	.068	.122	.320

APPENDIX A -- PRESSURE DATA:

MAIN PLACE HOTEL -- CONF. A -- DALLAS, TEXAS

WD	TAP	CPMEAN	CPRMS	CPMAX	CPMIN	WD	TAP	CPMEAN	CPRMS	CPMAX	CPMIN	WD	TAP	CPMEAN	CPRMS	CPMAX	CPMIN
180	79	.260	.043	.074	.399	180	129	.261	.044	.094	.416	180	179	.088	.060	.125	.293
180	80	.336	.155	.793	.168	180	130	.461	.035	.323	.581	180	180	.134	.052	.041	.324
180	81	.639	.152	1.083	.146	180	131	.446	.042	.283	.635	180	181	.236	.048	.080	.415
180	82	.525	.127	.853	.112	180	132	.152	.153	.746	.385	180	182	.420	.054	.237	.703
180	83	.473	.103	.756	.148	180	133	.473	.155	.951	.045	180	183	.411	.048	.257	.609
180	84	.430	.094	.741	.156	180	134	.418	.131	.871	.035	180	184	.239	.098	.679	.055
180	85	.369	.085	.659	.111	180	135	.384	.110	.798	.074	180	185	.206	.102	.630	.472
180	86	.283	.076	.536	.005	180	136	.367	.097	.676	.056	180	186	.144	.100	.542	.263
180	87	.287	.075	.524	.022	180	137	.324	.088	.582	.042	180	187	.058	.110	.352	.526
180	88	.288	.074	.500	.056	180	138	.260	.080	.506	.057	180	188	.087	.100	.211	.475
180	89	.238	.081	.493	.062	180	139	.265	.079	.495	.032	180	189	.264	.092	.623	.005
180	90	.204	.088	.466	.089	180	140	.246	.074	.500	.010	180	190	.226	.086	.561	.005
180	91	.329	.088	.689	.042	180	141	.229	.077	.505	.040	180	191	.155	.081	.425	.186
180	92	.328	.089	.644	.078	180	142	.197	.082	.484	.176	180	192	.081	.082	.401	.283
180	93	.312	.086	.612	.074	180	143	.265	.080	.583	.052	180	193	.017	.077	.304	.286
180	94	.241	.077	.526	.020	180	144	.276	.081	.639	.039	180	194	.219	.103	.668	.002
180	95	.222	.088	.613	.094	180	145	.279	.081	.617	.047	180	195	.331	.141	.791	.030
180	96	.341	.116	.863	.024	180	146	.227	.078	.536	.007	180	196	.229	.095	.677	.038
180	97	.491	.147	1.073	.067	180	147	.223	.083	.569	.064	180	197	.239	.090	.654	.012
180	98	.538	.162	1.082	.069	180	148	.261	.103	.678	.005	180	198	.251	.091	.632	.014
180	99	.441	.130	.867	.010	180	149	.339	.121	.800	.064	180	199	.250	.102	.606	.035
180	100	.291	.127	.063	.744	180	150	.352	.140	.982	.035	180	200	.133	.079	.127	.432
180	101	.036	.066	.233	.282	180	151	.281	.117	.729	.032	180	201	.202	.102	.205	.579
180	102	.153	.051	.032	.350	180	152	.237	.117	.204	.717	180	202	.314	.128	.123	.765
180	103	.262	.041	.101	.394	180	153	.092	.066	.179	.312	180	203	.448	.137	.040	.918
180	104	.421	.043	.280	.588	180	154	.148	.056	.123	.308	180	204	.619	.095	.343	1.068
180	105	.425	.043	.270	.590	180	155	.253	.049	.031	.394	180	205	.439	.064	.189	.651
180	106	.240	.159	.722	.260	180	156	.421	.044	.283	.660	180	206	.252	.102	.675	.021
180	107	.565	.155	1.012	.059	180	157	.427	.045	.276	.696	180	207	.263	.096	.656	.002
180	108	.504	.124	.929	.112	180	158	.140	.138	.625	.218	180	208	.264	.093	.669	.034
180	109	.451	.107	.818	.151	180	159	.336	.140	.793	.042	180	209	.282	.099	.725	.054
180	110	.389	.097	.719	.112	180	160	.318	.122	.768	.012	180	210	.294	.102	.772	.054
180	111	.345	.085	.643	.116	180	161	.296	.108	.703	.057	180	211	.302	.100	.840	.024
180	112	.291	.072	.507	.039	180	162	.276	.099	.644	.054	180	212	.190	.137	.741	.187
180	113	.285	.072	.493	.057	180	163	.251	.084	.550	.038	180	213	.185	.118	.703	.198
180	114	.253	.072	.476	.035	180	164	.223	.084	.554	.026	180	214	.126	.101	.587	.241
180	115	.218	.076	.475	.034	180	165	.220	.083	.564	.026	180	215	.059	.089	.517	.163
180	116	.210	.074	.449	.049	180	166	.213	.083	.552	.024	180	216	.882	.219	.288	1.696
180	117	.302	.082	.597	.069	180	167	.219	.085	.540	.134	180	301	.431	.057	.240	.636
180	118	.295	.087	.620	.045	180	168	.219	.084	.528	.034	180	302	.431	.055	.196	.658
180	119	.293	.083	.606	.054	180	169	.273	.090	.545	.034	180	303	.423	.055	.193	.705
180	120	.264	.076	.517	.037	180	170	.254	.086	.663	.014	180	304	.429	.051	.218	.722
180	121	.245	.084	.582	.017	180	171	.238	.083	.562	.005	180	305	.429	.047	.231	.602
180	122	.303	.109	.707	.000	180	172	.233	.091	.566	.050	180	306	.429	.042	.277	.568
180	123	.438	.148	1.100	.027	180	173	.249	.103	.694	.087	180	307	.407	.042	.257	.557
180	124	.496	.151	.917	.020	180	174	.268	.115	.791	.104	180	308	.411	.040	.295	.564
180	125	.404	.126	.803	.002	180	175	.294	.131	.925	.009	180	309	.408	.042	.264	.571
180	126	.312	.117	.035	.737	180	176	.272	.129	.840	.000	180	310	.403	.046	.258	.570
180	127	.069	.065	.185	.268	180	177	.145	.099	.493	.123	180	311	.454	.052	.286	.623
180	128	.133	.051	.083	.302	180	178	.182	.095	.178	.743	180	312	.434	.052	.270	.606

APPENDIX A -- PRESSURE DATA:

MAIN PLACE HOTEL -- CONF. A -- DALLAS , TEXAS

WD	TAP	CPMEAN	CPRMS	CPMAX	CPMIN	WD	TAP	CPMEAN	CPRMS	CPMAX	CPMIN	WD	TAP	CPMEAN	CPRMS	CPMAX	CPMIN
180	313	.447	.052	.278	.619	180	363	.430	.049	.278	.615	180	438	.359	.056	.187	.657
180	314	.401	.051	.222	.600	180	364	.429	.049	.274	.603	180	439	.359	.087	.129	.756
180	315	.451	.048	.265	.610	180	365	.441	.050	.265	.604	180	440	.378	.124	.085	.889
180	316	.434	.046	.267	.601	180	366	.389	.048	.241	.562	180	441	.464	.172	.090	1.088
180	317	.446	.045	.270	.601	180	367	.408	.050	.255	.610	180	442	.543	.207	.025	1.187
180	318	.401	.043	.278	.589	180	368	.513	.071	.297	.762	180	443	.724	.221	.070	1.548
180	319	.444	.045	.301	.600	180	369	.399	.054	.210	.556	180	444	.804	.190	.071	2.089
180	320	.423	.044	.265	.603	180	370	.366	.053	.214	.553	180	445	.811	.163	.322	1.614
180	321	.421	.049	.265	.644	180	371	.429	.053	.268	.608	180	446	.314	.055	.136	.571
180	322	.389	.044	.222	.640	180	372	.435	.051	.279	.640	180	447	.303	.066	.048	.606
180	323	.437	.045	.286	.602	180	373	.452	.051	.298	.644	180	448	.323	.080	.055	.663
180	324	.419	.045	.265	.606	180	374	.451	.058	.266	.682	180	449	.337	.089	.088	.888
180	325	.440	.044	.258	.600	180	375	.470	.061	.263	.682	180	450	.308	.099	.005	.905
180	326	.404	.044	.222	.585	180	401	.412	.050	.242	.653	180	451	.352	.115	.016	.978
180	327	.453	.045	.286	.600	180	402	.428	.071	.213	.929	180	452	.404	.132	.064	1.045
180	328	.430	.045	.267	.584	180	403	.154	.047	.000	.368	180	453	.496	.161	.093	1.099
180	329	.438	.046	.270	.584	180	404	.166	.045	.038	.347	180	454	.516	.179	.016	1.235
180	330	.399	.045	.241	.589	180	405	.155	.046	.022	.376	180	455	.618	.204	.023	1.414
180	331	.432	.049	.273	.583	180	406	.204	.068	.048	.671	180	456	.692	.223	.048	1.737
180	332	.411	.046	.265	.581	180	407	.259	.164	.039	1.107	180	457	.779	.209	.100	1.575
180	333	.425	.044	.288	.581	180	408	.726	.310	.048	1.568	180	458	.767	.198	.018	1.631
180	334	.392	.045	.190	.584	180	409	.144	.257	.478	1.80	180	459	.538	.186	.075	1.230
180	335	.447	.046	.271	.581	180	410	.354	.036	.218	.473	180	460	.476	.136	.005	1.008
180	336	.440	.045	.314	.600	180	411	.313	.033	.182	.413	180	461	.398	.128	.044	1.153
180	337	.456	.045	.318	.600	180	412	.237	.033	.126	.368	180	462	.248	.055	.023	.484
180	338	.421	.047	.280	.644	180	413	.202	.039	.067	.392	180	463	.297	.077	.005	.679
180	339	.465	.050	.314	.643	180	414	.159	.053	.016	.575	180	464	.256	.047	.064	.418
180	340	.454	.058	.287	.606	180	415	.222	.133	.048	.896	180	465	.248	.110	.680	.002
180	341	.438	.046	.306	.600	180	416	.577	.289	.039	1.422	180	466	.245	.101	.691	.007
180	342	.403	.044	.236	.600	180	417	.002	.272	.081	.946	180	467	.230	.099	.649	.073
180	343	.454	.046	.276	.600	180	418	.925	.215	.373	1.945	180	468	.241	.098	.615	.066
180	344	.439	.044	.299	.600	180	419	.381	.039	.254	.524	180	469	.239	.103	.677	.053
180	345	.456	.044	.313	.600	180	420	.330	.045	.165	.528	180	470	.226	.090	.364	.155
180	346	.436	.047	.278	.600	180	421	.302	.064	.065	.805	180	471	.215	.094	.531	.195
180	347	.500	.053	.352	.600	180	422	.259	.102	.020	.894	180	472	.229	.090	.613	.002
180	348	.497	.057	.346	.600	180	423	.363	.177	.018	1.112	180	473	.214	.093	.582	.146
180	349	.504	.058	.351	.600	180	424	.544	.245	.014	1.314	180	474	.354	.141	.848	.059
180	350	.453	.060	.285	.600	180	425	.794	.221	.026	1.554	180	475	.235	.132	.635	.304
180	351	.433	.049	.250	.600	180	426	.797	.148	.173	1.447	180	476	.236	.101	.597	.137
180	352	.422	.046	.277	.600	180	427	.802	.131	.413	1.343	180	477	.262	.088	.566	.026
180	353	.438	.048	.288	.600	180	428	.409	.045	.247	.594	180	478	.269	.114	.828	.064
180	354	.401	.045	.209	.600	180	429	.372	.057	.174	.659	180	479	.169	.137	.574	.599
180	355	.441	.046	.268	.600	180	430	.297	.081	.050	.776	180	480	.238	.089	.553	.142
180	356	.421	.033	.299	.600	180	431	.324	.124	.011	.908	180	481	.263	.089	.647	.009
180	357	.453	.046	.270	.600	180	432	.419	.184	.005	1.084	180	482	.257	.092	.720	.005
180	358	.508	.068	.309	.600	180	433	.578	.244	.030	1.285	180	483	.825	.171	.142	1.374
180	359	.604	.092	.370	.600	180	434	.698	.223	.018	1.529	180	484	.061	.047	.090	.272
180	360	.595	.091	.376	.600	180	435	.797	.171	.100	.820	180	485	.452	.057	.291	.753
180	361	.400	.056	.225	.600	180	436	.795	.139	.366	1.662	180	486	.493	.080	.241	.862
180	362	.370	.048	.229	.600	180	437	.450	.051	.255	.747	180	487	.634	.113	.200	1.177

APPENDIX A -- PRESSURE DATA:

MAIN PLACE HOTEL -- CONF. A -- DALLAS, TEXAS

WD	TAP	CPMEAN	CPRMS	CPMAX	CPMIN	WD	TAP	CPMEAN	CPRMS	CPMAX	CPMIN	WD	TAP	CPMEAN	CPRMS	CPMAX	CPMIN
180	530	.560	.099	.226	-1.097	180	625	.443	.048	.269	-.624	180	721	.041	.073	.403	-.171
180	531	.570	.097	.194	-.890	180	626	.368	.043	.227	-.555	180	722	.327	.109	.787	-.081
180	532	.563	.191	.049	-1.192	180	627	.305	.044	.159	-.539	180	723	.189	.086	.508	-.042
180	533	.043	.162	.328	-.624	180	628	.295	.045	.133	-.460	180	724	.000	.062	.292	-.187
180	534	.051	.055	.157	-.272	180	629	.328	.056	.143	-.594	180	725	.325	.115	.777	-.091
180	535	.203	.091	.442	-.133	180	630	.391	.074	.177	-.693	180	726	.334	.126	.855	-.061
180	536	.453	.050	-.294	-.645	180	631	.470	.093	.198	-.889	180	727	.306	.121	.747	-.052
180	537	.458	.063	-.248	-.746	180	632	.507	.072	.245	-.826	180	728	.231	.095	.579	-.002
180	538	.557	.111	-.118	-.949	180	633	.510	.073	.236	-.912	180	729	.082	.071	.387	-.101
180	539	.589	.109	.206	-.984	180	634	.402	.049	.259	-.587	180	730	.018	.071	.269	-.279
180	540	.434	.271	.306	-1.159	180	635	.329	.045	.182	-.516	180	731	.048	.084	.300	-.471
180	541	.169	.122	.064	-.700	180	636	.271	.043	.085	-.421	180	732	.132	.078	.117	-.500
180	542	.133	.060	.053	-.447	180	637	.287	.051	.079	-.458	180	733	.050	.066	.175	-.332
180	543	.000	.068	.183	-.268	180	638	.332	.059	.115	-.535	180	734	.050	.055	.028	-.697
180	544	.456	.052	.309	-.687	180	639	.400	.063	.175	-.617	180	735	.242	.086	.028	-.829
180	545	.456	.054	.278	-.718	180	640	.412	.061	.181	-.698	180	736	.229	.098	.112	-.627
180	546	.457	.063	.263	-.691	180	641	.450	.079	.208	-.722	180	737	.359	.098	.067	-1.023
180	547	.484	.069	.199	-.766	180	642	.469	.055	.262	-.661	180	738	.390	.126	.033	-.908
180	548	.450	.081	.248	-.771	180	643	.522	.062	.327	-.723	180	739	.272	.157	.292	-1.011
180	549	.275	.083	.092	-.675	180	644	.606	.073	.413	-.838	180	740	.282	.119	.150	-.749
180	550	.344	.048	.217	-.567	180	645	.628	.077	.449	-.918	180	741	.440	.147	.027	-1.051
180	551	.404	.050	.247	-.611	180	646	.617	.075	.403	-.871	180	742	.103	.087	.518	-.201
180	552	.378	.044	.220	-.519	180	647	.423	.057	.205	-.624	180	743	.272	.125	.107	-.784
180	553	.695	.088	.408	-.975	180	648	.536	.070	.328	-.838	180	744	.361	.140	.068	-.938
180	554	.901	.123	.456	-.977	180	649	.628	.078	.396	-.960	180	745	.042	.169	.607	-.776
180	555	.490	.068	.284	-.760	180	650	.642	.080	.408	-.978	180	746	.122	.091	.494	-.359
180	601	.066	.103	.397	-.348	180	651	.601	.077	.377	-.926	180	747	.285	.039	.382	-.194
180	602	.049	.104	.555	-.248	180	652	.341	.066	.070	-.601	180	748	.136	.045	.272	-.030
180	603	.115	.115	.592	-.157	180	653	.374	.109	.003	-.776	195	1	.644	.144	.035	-.164
180	604	.206	.120	.729	-.150	180	654	.628	.103	.122	-1.048	195	2	.369	.113	.676	-.064
180	605	.267	.125	.727	-.047	180	655	.632	.094	.404	-1.068	195	3	.247	.138	.249	-.657
180	606	.162	.075	.184	-.436	180	701	.312	.128	.788	-.191	195	4	.070	.069	.258	-.313
180	607	.041	.074	.387	-.191	180	702	.265	.101	.663	-.023	195	5	.031	.050	.219	-.150
180	608	.127	.074	.478	-.101	180	703	.212	.082	.525	-.050	195	6	.020	.049	.161	-.191
180	609	.180	.087	.619	-.042	180	704	.140	.081	.457	-.240	195	7	.097	.055	.266	-.112
180	610	.229	.092	.643	-.009	180	705	.055	.079	.342	-.372	195	8	.028	.051	.206	-.154
180	611	.007	.051	.293	-.154	180	706	.189	.107	.565	-.239	195	9	.017	.049	.164	-.186
180	612	.082	.065	.364	-.098	180	707	.132	.073	.440	-.072	195	10	.024	.049	.126	-.235
180	613	.150	.075	.545	-.049	180	708	.025	.061	.175	-.232	195	11	.001	.048	.154	-.203
180	614	.201	.083	.590	-.037	180	709	.067	.116	.445	-.465	195	12	.030	.049	.114	-.232
180	615	.208	.061	.279	-.403	180	710	.038	.066	.305	-.171	195	13	.031	.049	.114	-.219
180	616	.495	.075	.284	-.833	180	711	.099	.062	.152	-.314	195	14	.061	.051	.092	-.270
180	617	.437	.078	.243	-.820	180	712	.136	.111	.187	-.534	195	15	.024	.052	.126	-.231
180	618	.376	.076	.188	-.700	180	713	.361	.121	.868	-.008	195	16	.151	.041	-.019	-.310
180	619	.375	.083	.189	-.735	180	715	.261	.106	.769	-.102	195	17	.152	.041	-.021	-.293
180	620	.384	.080	.174	-.682	180	716	.322	.110	.844	-.085	195	18	.204	.039	-.082	-.329
180	621	.415	.097	.173	-.827	180	717	.250	.101	.770	-.018	195	19	.235	.033	-.138	-.340
180	622	.457	.100	.163	-.874	180	718	.168	.090	.618	-.083	195	20	.382	.044	-.227	-.594
180	623	.568	.094	-.274	-1.081	180	719	.338	.109	.764	-.100	195	21	.373	.045	-.224	-.609
180	624	.568	.102	.188	-1.176	180	720	.202	.080	.532	-.012	195	22	.250	.142	.279	-.753

APPENDIX A -- PRESSURE DATA:

MAIN PLACE HOTEL -- CONF. A -- DALLAS , TEXAS

WD	TAP	CPMEAN	CPRMS	CPMAX	CPMIN	WD	TAP	CPMEAN	CPRMS	CPMAX	CPMIN	WD	TAP	CPMEAN	CPRMS	CPMAX	CPMIN
1955	23	.106	.081	.331	.426	1955	73	.061	.081	.561	.219	1955	123	.152	.115	.736	.149
1955	24	.057	.053	.230	.134	1955	74	.161	.129	.849	.186	1955	124	.265	.146	.855	.093
1955	25	.054	.046	.196	.100	1955	75	.300	.181	.949	.131	1955	125	.272	.140	.739	.128
1955	26	.102	.054	.265	.083	1955	76	.278	.170	.750	.204	1955	126	.278	.074	.078	.624
1955	27	.070	.053	.240	.093	1955	77	.155	.062	.039	.479	1955	127	.171	.050	.012	.349
1955	28	.024	.053	.250	.347	1955	78	.169	.044	.002	.358	1955	128	.200	.044	.002	.364
1955	29	.041	.051	.284	.366	1955	79	.280	.034	.156	.396	1955	129	.256	.040	.100	.390
1955	30	.026	.053	.195	.226	1955	80	.618	.159	1.086	.093	1955	130	.404	.034	.296	.538
1955	31	.018	.053	.200	.193	1955	81	.417	.120	.857	.009	1955	131	.394	.043	.264	.721
1955	32	.016	.057	.178	.248	1955	82	.112	.170	.512	.681	1955	132	.315	.185	.902	.175
1955	33	.011	.057	.200	.252	1955	83	.151	.113	.420	.613	1955	133	.249	.119	.664	.077
1955	34	.008	.062	.192	.265	1955	84	.143	.063	.409	.128	1955	134	.047	.156	.484	.607
1955	35	.134	.042	.017	.885	1955	85	.127	.055	.376	.118	1955	135	.097	.093	.398	.394
1955	36	.169	.042	.022	.314	1955	86	.066	.051	.299	.119	1955	136	.096	.068	.383	.199
1955	37	.167	.037	.014	.305	1955	87	.073	.049	.297	.113	1955	137	.101	.057	.328	.088
1955	38	.259	.034	.111	.369	1955	88	.073	.050	.262	.077	1955	138	.051	.055	.247	.159
1955	39	.693	.155	.116	.015	1955	89	.063	.050	.237	.109	1955	139	.058	.054	.248	.158
1955	40	.469	.117	.774	.049	1955	90	.020	.056	.233	.156	1955	140	.055	.054	.227	.203
1955	41	.223	.154	.388	.733	1955	91	.089	.061	.344	.083	1955	141	.061	.052	.251	.123
1955	42	.110	.087	.352	.371	1955	92	.102	.056	.339	.061	1955	142	.022	.057	.249	.292
1955	43	.124	.052	.322	.054	1955	93	.109	.053	.344	.051	1955	143	.071	.057	.311	.123
1955	44	.073	.049	.277	.064	1955	94	.037	.050	.213	.114	1955	144	.080	.061	.367	.089
1955	45	.113	.058	.314	.076	1955	95	.019	.054	.229	.146	1955	145	.091	.058	.311	.081
1955	46	.077	.056	.230	.113	1955	96	.065	.068	.369	.210	1955	146	.035	.059	.261	.121
1955	47	.069	.053	.263	.133	1955	97	.203	.100	.739	.070	1955	147	.032	.066	.401	.160
1955	48	.037	.055	.246	.180	1955	98	.298	.142	.792	.078	1955	148	.074	.084	.460	.173
1955	49	.027	.059	.216	.200	1955	99	.322	.140	.719	.132	1955	149	.153	.107	.562	.112
1955	50	.002	.063	.208	.292	1955	100	.254	.081	.012	.719	1955	150	.179	.146	.764	.145
1955	51	.037	.064	.221	.280	1955	101	.133	.049	.077	.309	1955	151	.171	.142	.726	.170
1955	52	.019	.081	.232	.339	1955	102	.231	.042	.078	.386	1955	152	.219	.084	.083	.555
1955	53	.005	.091	.252	.339	1955	103	.294	.037	.158	.443	1955	153	.155	.056	.075	.365
1955	54	.193	.051	.012	.446	1955	104	.369	.039	.234	.500	1955	154	.188	.050	.015	.353
1955	55	.144	.044	.019	.342	1955	105	.347	.040	.197	.481	1955	155	.246	.043	.063	.398
1955	56	.201	.043	.028	.443	1955	106	.522	.160	.979	.021	1955	156	.345	.043	.231	.589
1955	57	.276	.037	.124	.404	1955	107	.341	.128	.754	.071	1955	157	.352	.043	.213	.524
1955	58	.421	.046	.265	.577	1955	108	.057	.168	.483	.633	1955	158	.094	.127	.637	.269
1955	59	.376	.044	.205	.534	1955	109	.153	.102	.425	.374	1955	159	.091	.085	.607	.142
1955	60	.178	.148	.483	.710	1955	110	.110	.069	.334	.202	1955	160	.029	.124	.457	.440
1955	61	.125	.060	.326	.081	1955	111	.095	.058	.390	.071	1955	161	.067	.087	.377	.328
1955	62	.053	.039	.243	.131	1955	112	.087	.052	.271	.107	1955	162	.071	.073	.378	.208
1955	63	.082	.055	.268	.089	1955	113	.083	.050	.249	.098	1955	163	.061	.059	.275	.147
1955	64	.067	.055	.277	.107	1955	114	.048	.049	.211	.123	1955	164	.027	.062	.273	.246
1955	65	.058	.053	.228	.138	1955	115	.037	.051	.212	.151	1955	165	.028	.061	.283	.203
1955	66	.024	.055	.223	.181	1955	116	.039	.055	.222	.159	1955	166	.026	.061	.300	.223
1955	67	.057	.057	.219	.145	1955	117	.095	.060	.344	.084	1955	167	.026	.069	.270	.260
1955	68	.069	.050	.239	.114	1955	118	.074	.062	.358	.102	1955	168	.028	.068	.297	.228
1955	69	.080	.063	.397	.090	1955	119	.077	.060	.349	.099	1955	169	.060	.069	.344	.099
1955	70	.056	.060	.312	.116	1955	120	.055	.053	.262	.126	1955	170	.062	.070	.361	.126
1955	71	.069	.055	.305	.128	1955	121	.039	.057	.265	.177	1955	171	.073	.064	.340	.092
1955	72	.029	.064	.339	.178	1955	122	.036	.067	.266	.185	1955	172	.060	.071	.373	.098

APPENDIX A -- PRESSURE DATA:

MAIN PLACE HOTEL -- CONF. A -- DALLAS , TEXAS

WD	TAP	CPMEAN	CPRMS	CPMAX	CPMIN	WD	TAP	CPMEAN	CPRMS	CPMAX	CPMIN	WD	TAP	CPMEAN	CPRMS	CPMAX	CPMIN
195	173	.069	.079	.399	.106	195	307	.366	.038	.241	.477	195	357	.047	.477	.193	.513
195	174	.090	.088	.491	.109	195	308	.355	.038	.241	.467	195	358	.390	.057	.229	.633
195	175	.108	.110	.663	.142	195	309	.355	.039	.225	.485	195	359	.445	.073	.270	.805
195	176	.103	.114	.700	.196	195	310	.315	.039	.166	.457	195	360	.438	.063	.267	.703
195	177	.045	.095	.469	.198	195	311	.341	.039	.203	.483	195	361	.317	.048	.166	.478
195	178	.175	.082	.133	.620	195	312	.340	.039	.208	.487	195	362	.293	.046	.154	.472
195	179	.123	.053	.106	.340	195	313	.355	.038	.215	.493	195	363	.346	.046	.208	.530
195	180	.157	.044	.042	.331	195	314	.309	.039	.190	.433	195	364	.362	.047	.218	.536
195	181	.223	.044	.068	.391	195	315	.342	.039	.198	.473	195	365	.349	.048	.220	.540
195	182	.341	.048	.184	.596	195	316	.343	.039	.216	.463	195	366	.306	.045	.150	.445
195	183	.338	.045	.205	.557	195	317	.351	.040	.223	.468	195	367	.312	.045	.150	.465
195	184	.061	.063	.329	.118	195	318	.316	.038	.205	.452	195	368	.421	.056	.218	.622
195	185	.048	.066	.278	.184	195	319	.344	.039	.228	.490	195	369	.307	.048	.144	.463
195	186	.026	.061	.266	.240	195	320	.344	.039	.216	.483	195	370	.295	.045	.153	.479
195	187	.006	.067	.236	.465	195	321	.349	.042	.201	.503	195	371	.347	.045	.205	.515
195	188	.099	.081	.160	.476	195	322	.349	.039	.190	.481	195	372	.354	.045	.216	.517
195	189	.076	.067	.316	.140	195	323	.348	.039	.223	.500	195	373	.372	.046	.233	.532
195	190	.057	.066	.303	.121	195	324	.344	.039	.228	.502	195	374	.364	.052	.200	.553
195	191	.034	.065	.325	.186	195	325	.336	.040	.233	.515	195	375	.381	.053	.190	.613
195	192	.006	.063	.319	.201	195	326	.333	.040	.176	.469	195	401	.257	.038	.103	.397
195	193	.048	.061	.251	.290	195	327	.336	.041	.208	.508	195	402	.176	.055	.133	.364
195	194	.069	.056	.387	.109	195	328	.354	.040	.189	.483	195	403	.001	.055	.023	.253
195	195	.081	.088	.619	.228	195	329	.366	.039	.203	.490	195	404	.005	.058	.210	.864
195	196	.056	.080	.437	.236	195	330	.333	.037	.207	.431	195	405	.025	.066	.244	.233
195	197	.069	.074	.413	.217	195	331	.348	.043	.218	.498	195	406	.017	.069	.266	.230
195	198	.078	.070	.375	.203	195	332	.346	.041	.196	.487	195	407	.048	.072	.337	.369
195	199	.091	.069	.349	.183	195	333	.358	.041	.240	.508	195	408	.068	.091	.375	.719
195	200	.129	.061	.110	.354	195	334	.333	.040	.193	.479	195	409	.150	.245	.556	.864
195	201	.128	.072	.127	.451	195	335	.350	.043	.203	.645	195	410	.250	.033	.123	.372
195	202	.177	.092	.121	.654	195	336	.365	.042	.203	.556	195	411	.165	.042	.022	.302
195	203	.253	.090	.039	.663	195	337	.374	.041	.243	.537	195	412	.074	.052	.127	.216
195	204	.445	.081	.211	.781	195	338	.337	.039	.188	.469	195	413	.028	.061	.188	.223
195	205	.341	.054	.181	.543	195	339	.362	.040	.213	.485	195	414	.044	.066	.227	.148
195	206	.080	.059	.426	.155	195	340	.414	.055	.261	.861	195	415	.070	.075	.315	.138
195	207	.076	.061	.349	.219	195	341	.346	.045	.213	.525	195	416	.104	.084	.362	.243
195	208	.071	.060	.361	.106	195	342	.318	.041	.197	.476	195	417	.128	.125	.456	.929
195	209	.081	.065	.456	.087	195	343	.352	.042	.220	.483	195	418	.083	.249	.623	.906
195	210	.091	.068	.455	.082	195	344	.359	.044	.228	.522	195	419	.304	.034	.162	.428
195	211	.111	.070	.426	.072	195	345	.399	.049	.243	.614	195	420	.220	.038	.060	.330
195	212	.023	.100	.471	.324	195	346	.346	.057	.202	.611	195	421	.140	.047	.045	.290
195	213	.012	.091	.425	.285	195	347	.430	.065	.273	.873	195	422	.043	.053	.167	.212
195	214	.024	.083	.358	.252	195	348	.427	.060	.267	.774	195	423	.005	.062	.253	.184
195	215	.065	.073	.325	.299	195	349	.429	.055	.267	.693	195	424	.035	.072	.305	.156
195	216	.565	.142	.152	.282	195	350	.400	.053	.231	.650	195	425	.074	.090	.386	.388
195	301	.344	.041	.223	.498	195	351	.344	.045	.208	.510	195	426	.120	.150	.505	.943
195	302	.349	.042	.206	.501	195	352	.344	.042	.201	.483	195	427	.081	.265	.505	.020
195	303	.346	.041	.188	.484	195	353	.361	.044	.198	.508	195	428	.331	.038	.226	.456
195	304	.351	.039	.209	.479	195	354	.328	.044	.149	.493	195	429	.241	.040	.073	.361
195	305	.366	.039	.229	.500	195	355	.364	.045	.185	.540	195	430	.119	.049	.071	.261
195	306	.365	.035	.254	.496	195	356	.349	.038	.198	.456	195	431	.079	.059	.130	.241

APPENDIX A -- PRESSURE DATA:

MAIN PLACE HOTEL -- CONF. A -- DALLAS , TEXAS

WD	TAP	CPNEAN	CPRMS	CPMAX	CPMIN	WD	TAP	CPNEAN	CPRMS	CPMAX	CPMIN	WD	TAP	CPNEAN	CPRMS	CPMAX	CPMIN
1955	432	.040	.069	.203	-.226	1955	524	.054	.060	.251	-.131	1955	619	.239	.057	.081	-.513
1955	433	.013	.078	.275	-.318	1955	525	.292	.124	.097	-.823	1955	620	.222	.054	-.071	-.590
1955	434	.054	.096	.379	-.561	1955	526	.220	.108	.095	-.624	1955	621	.231	.063	-.068	-.582
1955	435	.044	.172	.432	-.862	1955	527	.398	.045	.258	-.556	1955	622	.246	.071	-.000	-.571
1955	436	.143	.260	.615	-.925	1955	528	.193	.101	.042	-.542	1955	623	.315	.082	-.023	-.668
1955	437	.364	.042	.193	-.508	1955	529	.343	.106	.055	-.788	1955	624	.362	.103	-.071	-1.026
1955	438	.234	.037	.059	-.369	1955	530	.362	.057	.197	-.619	1955	625	.343	.044	-.204	-.519
1955	439	.166	.046	.010	-.359	1955	531	.221	.070	.030	-.607	1955	626	.280	.037	-.176	-.444
1955	440	.126	.057	.062	-.330	1955	532	.043	.087	.277	-.423	1955	627	.224	.033	-.111	-.362
1955	441	.102	.070	.148	-.348	1955	533	.159	.090	.502	-.176	1955	628	.200	.031	-.099	-.327
1955	442	.037	.082	.222	-.340	1955	534	.048	.078	.188	-.415	1955	629	.205	.035	-.087	-.336
1955	443	.029	.106	.300	-.722	1955	535	.071	.105	.445	-.415	1955	630	.210	.042	-.072	-.458
1955	444	.047	.174	.372	-.918	1955	536	.410	.047	.265	-.596	1955	631	.232	.056	-.026	-.445
1955	445	.217	.257	.518	-.152	1955	537	.434	.059	.243	-.714	1955	632	.229	.072	-.000	-.657
1955	446	.185	.046	.015	-.345	1955	538	.401	.097	.132	-.708	1955	633	.326	.075	-.040	-.664
1955	447	.144	.053	.047	-.307	1955	539	.226	.121	.062	-.881	1955	634	.295	.047	-.169	-.469
1955	448	.125	.057	.089	-.300	1955	540	.054	.072	.261	-.329	1955	635	.243	.038	-.111	-.383
1955	449	.127	.062	.155	-.311	1955	541	.119	.080	.386	-.146	1955	636	.193	.032	-.076	-.304
1955	450	.069	.066	.231	-.261	1955	542	.010	.073	.195	-.573	1955	637	.196	.034	-.066	-.315
1955	451	.070	.075	.248	-.319	1955	543	.020	.127	.378	-.611	1955	638	.196	.038	-.046	-.321
1955	452	.075	.083	.238	-.320	1955	544	.410	.047	.230	-.641	1955	639	.210	.046	-.049	-.373
1955	453	.073	.096	.223	-.486	1955	545	.396	.045	.227	-.601	1955	640	.231	.055	-.007	-.443
1955	454	.028	.105	.290	-.401	1955	546	.422	.055	.230	-.645	1955	641	.236	.102	-.275	-.575
1955	455	.052	.125	.310	-.494	1955	547	.300	.045	.161	-.577	1955	642	.384	.053	-.203	-.580
1955	456	.070	.142	.327	-.595	1955	548	.213	.033	.108	-.336	1955	643	.393	.069	-.176	-.657
1955	457	.112	.169	.403	-.729	1955	549	.142	.031	.051	-.294	1955	644	.462	.076	-.265	-.728
1955	458	.131	.176	.469	-.765	1955	550	.235	.031	.128	-.387	1955	645	.510	.081	-.316	-.815
1955	501	.038	.124	.388	-.612	1955	551	.391	.060	.196	-.655	1955	646	.498	.079	-.270	-.836
1955	502	.197	.089	.131	-.553	1955	552	.378	.055	.171	-.589	1955	647	.313	.051	-.167	-.505
1955	503	.093	.073	.240	-.353	1955	553	.611	.101	.310	-.941	1955	648	.365	.066	-.196	-.760
1955	504	.107	.054	.108	-.303	1955	554	.834	.195	.355	-1.480	1955	649	.443	.083	-.194	-.765
1955	505	.099	.060	.187	-.315	1955	555	.378	.073	.171	-.683	1955	650	.507	.095	-.243	-.875
1955	506	.148	.052	.052	-.293	1955	601	.028	.099	.491	-.263	1955	651	.487	.087	-.281	-.849
1955	507	.089	.082	.426	-.118	1955	602	.056	.109	.592	-.259	1955	652	.269	.053	-.077	-.463
1955	508	.063	.073	.337	-.207	1955	603	.066	.105	.517	-.181	1955	653	.233	.072	-.012	-.624
1955	509	.024	.073	.307	-.317	1955	604	.108	.108	.591	-.158	1955	654	.391	.103	-.044	-.752
1955	510	.020	.069	.263	-.387	1955	605	.091	.100	.620	-.153	1955	655	.480	.082	-.295	-.896
1955	511	.070	.087	.441	-.190	1955	606	.057	.079	.388	-.282	1955	701	.056	.087	-.413	-.307
1955	512	.052	.076	.364	-.313	1955	607	.041	.076	.464	-.174	1955	702	.055	.065	-.363	-.134
1955	513	.035	.076	.366	-.319	1955	608	.072	.072	.420	-.129	1955	703	.054	.059	-.323	-.149
1955	514	.059	.076	.377	-.146	1955	609	.067	.064	.411	-.134	1955	704	.026	.054	-.286	-.138
1955	515	.039	.074	.401	-.175	1955	610	.073	.060	.437	-.092	1955	705	.043	.053	-.149	-.223
1955	516	.141	.121	.588	-.165	1955	611	.017	.065	.325	-.169	1955	706	.017	.085	-.350	-.365
1955	517	.011	.081	.297	-.270	1955	612	.049	.059	.399	-.092	1955	707	.014	.056	-.265	-.142
1955	518	.034	.060	.265	-.156	1955	613	.059	.055	.291	-.085	1955	708	.047	.049	-.160	-.224
1955	519	.049	.063	.293	-.160	1955	614	.068	.050	.280	-.065	1955	709	.033	.092	-.409	-.448
1955	520	.044	.074	.308	-.271	1955	615	.062	.061	.204	-.276	1955	710	.030	.062	-.263	-.286
1955	521	.009	.081	.236	-.359	1955	616	.367	.068	.191	-.664	1955	711	.073	.058	-.110	-.309
1955	522	.038	.061	.260	-.166	1955	617	.320	.065	.136	-.601	1955	712	.094	.088	-.177	-.468
1955	523	.062	.060	.263	-.125	1955	618	.255	.055	.102	-.504	1955	713	.110	.089	-.446	-.238

APPENDIX A -- PRESSURE DATA:

MAIN PLACE HOTEL -- CONF. A -- DALLAS , TEXAS

WD	TAP	CPMEAN	CPRMS	CPMAX	CPMIN	WD	TAP	CPMEAN	CPRMS	CPMAX	CPMIN	WD	TAP	CPMEAN	CPRMS	CPMAX	CPMIN
1955	715	.084	.067	.412	-.162	210	17	-.193	.037	-.067	-.396	210	67	-.149	.085	.207	-.484
1955	716	.104	.064	.369	-.108	210	18	-.226	.037	-.111	-.417	210	68	-.147	.068	.071	-.379
1955	717	.074	.065	.396	-.102	210	19	-.232	.037	-.114	-.378	210	69	-.129	.092	.238	-.355
1955	718	.041	.072	.390	-.159	210	20	-.337	.055	-.170	-.600	210	70	-.138	.088	.132	-.350
1955	719	.101	.065	.468	-.083	210	21	-.322	.049	-.160	-.488	210	71	-.138	.086	.158	-.352
1955	720	.059	.064	.335	-.108	210	22	-.598	.122	-.243	-.013	210	72	-.163	.101	.245	-.591
1955	721	.022	.073	.257	-.248	210	23	-.543	.116	-.103	-.969	210	73	-.130	.123	.400	-.666
1955	722	.095	.065	.487	-.082	210	24	-.413	.128	-.012	-.800	210	74	-.081	.146	.582	-.427
1955	723	.048	.060	.360	-.145	210	25	-.244	.111	-.042	-.609	210	75	-.002	.168	.717	-.587
1955	724	.031	.064	.254	-.229	210	26	-.168	.096	-.076	-.625	210	76	-.010	.153	.569	-.338
1955	725	.101	.065	.352	-.064	210	27	-.136	.080	-.072	-.669	210	77	-.178	.076	.159	-.484
1955	726	.107	.068	.393	-.057	210	28	-.158	.076	-.051	-.550	210	78	-.230	.057	.030	-.489
1955	727	.084	.067	.426	-.091	210	29	-.124	.069	-.044	-.506	210	79	-.288	.042	.173	-.443
1955	728	.070	.064	.409	-.103	210	30	-.149	.078	-.085	-.524	210	80	-.375	.218	.939	-.597
1955	729	.012	.061	.366	-.230	210	31	-.128	.065	-.043	-.488	210	81	-.011	.090	.421	-.347
1955	730	.057	.058	.213	-.262	210	32	-.150	.061	-.016	-.478	210	82	-.513	.145	.094	-.001
1955	731	.068	.058	.152	-.460	210	33	-.112	.055	-.046	-.411	210	83	-.459	.139	.045	-.881
1955	732	.118	.056	.042	-.375	210	34	-.117	.054	-.067	-.375	210	84	-.355	.137	.061	-.824
1955	733	.075	.053	.133	-.310	210	35	-.199	.045	-.045	-.456	210	85	-.233	.127	.085	-.686
1955	734	.169	.068	.007	-.552	210	36	-.220	.043	-.070	-.459	210	86	-.208	.109	.046	-.690
1955	735	.157	.064	.012	-.539	210	37	-.205	.038	-.066	-.407	210	87	-.192	.106	.041	-.575
1955	736	.120	.066	.120	-.390	210	38	-.264	.038	-.136	-.424	210	88	-.193	.102	.036	-.541
1955	737	.215	.078	-.039	-.671	210	39	-.428	.190	-.981	-.619	210	89	-.187	.098	.058	-.549
1955	738	.199	.083	.042	-.822	210	40	-.010	.079	-.282	-.619	210	90	-.218	.089	.025	-.576
1955	739	.126	.100	.147	-.626	210	41	-.588	.127	-.216	-.014	210	91	-.154	.077	.082	-.434
1955	740	.182	.075	.064	-.546	210	42	-.552	.124	-.146	-.983	210	92	-.144	.077	.059	-.430
1955	741	.216	.108	.044	-.874	210	43	-.384	.124	-.004	-.849	210	93	-.130	.077	.074	-.439
1955	742	.037	.071	.223	-.255	210	44	-.277	.119	-.029	-.676	210	94	-.198	.080	.014	-.526
1955	743	.172	.072	.064	-.586	210	45	-.182	.110	-.099	-.587	210	95	-.210	.091	.045	-.536
1955	744	.216	.089	.067	-.666	210	46	-.186	.121	-.070	-.668	210	96	-.189	.104	.257	-.545
1955	745	.109	.099	.284	-.468	210	47	-.144	.091	-.066	-.510	210	97	-.097	.127	.459	-.486
1955	746	.042	.071	.263	-.391	210	48	-.160	.089	-.038	-.524	210	98	-.061	.169	.613	-.535
1955	747	.288	.039	.369	-.198	210	49	-.154	.086	-.038	-.499	210	99	-.016	.177	.668	-.545
1955	748	.039	.035	.070	-.132	210	50	-.167	.084	-.049	-.559	210	100	-.238	.075	.020	-.624
210	1	.388	.144	.755	-.744	210	51	-.122	.077	-.088	-.477	210	101	-.195	.062	.047	-.613
210	2	.014	.081	.304	-.399	210	52	-.130	.081	-.096	-.471	210	102	-.267	.054	.064	-.530
210	3	.615	.133	.169	-.095	210	53	-.126	.080	-.124	-.445	210	103	-.295	.044	.141	-.463
210	4	.548	.126	.058	-.968	210	54	-.243	.057	-.070	-.519	210	104	-.349	.055	.182	-.667
210	5	.325	.118	.013	-.702	210	55	-.198	.043	-.077	-.403	210	105	-.323	.055	.155	-.683
210	6	.230	.102	.014	-.675	210	56	-.238	.043	-.107	-.422	210	106	-.270	.246	.907	-.722
210	7	.117	.086	.068	-.605	210	57	-.268	.041	-.128	-.459	210	107	-.090	.100	.302	-.547
210	8	.139	.069	.029	-.611	210	58	-.350	.049	-.206	-.559	210	108	-.496	.144	.079	-.991
210	9	.130	.061	.029	-.776	210	59	-.316	.049	-.172	-.539	210	109	-.400	.149	.002	-.990
210	10	.152	.058	.028	-.668	210	60	-.513	.120	-.181	-.975	210	110	-.336	.152	.025	-.923
210	11	.118	.053	.057	-.460	210	61	-.382	.125	-.034	-.807	210	111	-.222	.125	.050	-.790
210	12	.139	.051	.004	-.457	210	62	-.298	.118	-.026	-.697	210	112	-.149	.100	.092	-.599
210	13	.134	.049	-.004	-.355	210	63	-.165	.100	-.081	-.598	210	113	-.138	.102	.108	-.601
210	14	.151	.046	-.005	-.380	210	64	-.169	.097	-.045	-.614	210	114	-.200	.110	.105	-.699
210	15	.102	.044	-.064	-.304	210	65	-.175	.098	-.117	-.634	210	115	-.209	.106	.070	-.656
210	16	.199	.037	-.078	-.377	210	66	-.200	.096	-.130	-.682	210	116	-.201	.094	.034	-.572

APPENDIX A -- PRESSURE DATA:

MAIN PLACE HOTEL -- CONF. A -- DALLAS , TEXAS

WD	TAP	CPMEAN	CPRMS	CPMAX	CPMIN	WD	TAP	CPMEAN	CPRMS	CPMAX	CPMIN	WD	TAP	CPMEAN	CPRMS	CPMAX	CPMIN
210	117	.120	.078	.159	.390	210	167	.191	.123	.062	1.128	210	301	.297	.048	.136	.490
210	118	.147	.083	.155	.416	210	168	.157	.093	.103	.609	210	302	.287	.042	.163	.443
210	119	.141	.079	.116	.400	210	169	.057	.076	.305	.397	210	303	.289	.046	.140	.474
210	120	.160	.075	.099	.464	210	170	.052	.075	.271	.60	210	304	.292	.046	.126	.500
210	121	.185	.094	.058	.515	210	171	.062	.058	.185	.300	210	305	.296	.047	.142	.535
210	122	.202	.111	.215	.587	210	172	.109	.065	.124	.432	210	306	.304	.041	.177	.493
210	123	.090	.149	.516	.640	210	173	.130	.088	.245	.570	210	307	.309	.045	.167	.490
210	124	.002	.179	.682	.489	210	174	.069	.098	.404	.468	210	308	.310	.044	.166	.495
210	125	.055	.182	.742	.448	210	175	.017	.122	.588	.396	210	309	.307	.045	.142	.503
210	126	.244	.088	.114	.629	210	176	.071	.124	.647	.336	210	310	.308	.044	.140	.425
210	127	.212	.061	.002	.468	210	177	.068	.112	.581	.236	210	311	.315	.046	.180	.504
210	128	.226	.049	.005	.527	210	178	.160	.069	.124	.502	210	312	.293	.044	.168	.473
210	129	.255	.044	.112	.556	210	179	.145	.050	.048	.346	210	313	.301	.044	.177	.461
210	130	.361	.051	.197	.615	210	180	.171	.045	.012	.422	210	314	.281	.044	.134	.432
210	131	.348	.049	.207	.595	210	181	.209	.044	.030	.403	210	315	.331	.043	.176	.465
210	132	.234	.210	.894	.628	210	182	.282	.050	.108	.564	210	316	.304	.043	.146	.455
210	133	.035	.094	.359	.343	210	183	.286	.051	.144	.501	210	317	.315	.043	.159	.469
210	134	.491	.149	.066	.054	210	184	.104	.065	.156	.448	210	318	.286	.040	.145	.414
210	135	.385	.170	.175	.045	210	185	.124	.072	.137	.451	210	319	.286	.041	.171	.460
210	136	.251	.152	.086	.748	210	186	.129	.073	.076	.516	210	320	.298	.041	.153	.444
210	137	.160	.126	.125	.699	210	187	.093	.055	.110	.382	210	321	.299	.046	.130	.487
210	138	.174	.113	.087	.880	210	188	.123	.065	.128	.479	210	322	.286	.043	.162	.447
210	139	.164	.111	.057	.743	210	189	.082	.058	.117	.343	210	323	.317	.043	.194	.467
210	140	.195	.117	.074	.766	210	190	.103	.056	.087	.330	210	324	.302	.040	.181	.442
210	141	.224	.140	.049	.816	210	191	.098	.063	.217	.350	210	325	.314	.040	.183	.463
210	142	.238	.122	.021	.864	210	192	.092	.055	.224	.362	210	326	.293	.041	.169	.416
210	143	.071	.074	.370	.413	210	193	.104	.055	.197	.311	210	327	.324	.042	.191	.454
210	144	.052	.065	.261	.320	210	194	.050	.062	.312	.186	210	328	.304	.041	.166	.431
210	145	.047	.068	.294	.314	210	195	.107	.085	.206	.436	210	329	.309	.042	.165	.434
210	146	.147	.073	.082	.501	210	196	.134	.077	.135	.567	210	330	.280	.039	.116	.414
210	147	.177	.098	.218	.613	210	197	.077	.065	.167	.416	210	331	.280	.044	.137	.476
210	148	.092	.116	.437	.662	210	198	.043	.058	.200	.303	210	332	.287	.041	.133	.442
210	149	.058	.155	.710	.621	210	199	.015	.063	.341	.277	210	333	.297	.040	.152	.438
210	150	.119	.182	.786	.613	210	200	.195	.079	.266	.481	210	334	.284	.043	.094	.436
210	151	.134	.155	.684	.302	210	201	.171	.092	.405	.482	210	335	.224	.044	.078	.470
210	152	.199	.082	.166	.633	210	202	.157	.076	.202	.404	210	336	.319	.043	.170	.511
210	153	.163	.049	.037	.375	210	203	.189	.068	.137	.460	210	337	.332	.044	.195	.514
210	154	.187	.042	.023	.369	210	204	.335	.083	.107	.677	210	338	.300	.045	.158	.454
210	155	.224	.042	.096	.405	210	205	.270	.065	.059	.551	210	339	.326	.047	.176	.492
210	156	.292	.047	.138	.509	210	206	.050	.063	.319	.131	210	340	.388	.063	.203	.700
210	157	.291	.049	.142	.512	210	207	.011	.046	.185	.144	210	341	.387	.046	.143	.465
210	158	.070	.149	.681	.511	210	208	.024	.049	.177	.224	210	342	.258	.046	.061	.412
210	159	.067	.082	.341	.437	210	209	.005	.046	.254	.162	210	343	.289	.047	.098	.454
210	160	.263	.137	.126	.826	210	210	.002	.048	.206	.163	210	344	.278	.046	.084	.453
210	161	.156	.112	.144	.700	210	211	.011	.055	.245	.178	210	345	.302	.046	.107	.445
210	162	.104	.080	.138	.588	210	212	.189	.061	.089	.385	210	346	.308	.048	.138	.502
210	163	.100	.072	.117	.515	210	213	.164	.068	.119	.382	210	347	.300	.060	.110	.629
210	164	.133	.089	.096	.570	210	214	.142	.062	.138	.342	210	348	.389	.067	.183	.705
210	165	.137	.086	.089	.590	210	215	.129	.056	.101	.343	210	349	.389	.066	.183	.698
210	166	.174	.111	.055	.777	210	216	.251	.079	.047	.684	210	350	.447	.061	.164	.568

APPENDIX A -- PRESSURE DATA:

MAIN PLACE HOTEL -- CONF. A -- DALLAS, TEXAS

WD	TAP	CPMEAN	CPRMS	CPMAX	CPMIN	WD	TAP	CPMEAN	CPRMS	CPMAX	CPMIN	WD	TAP	CPMEAN	CPRMS	CPMAX	CPMIN
210	351	0.281	0.50	0.80	0.44	210	426	0.434	0.138	0.926	0.032	210	518	0.208	0.119	0.077	0.681
210	352	0.268	0.45	0.91	0.42	210	427	0.524	0.167	1.019	0.042	210	519	0.226	0.111	0.118	0.640
210	353	0.279	0.47	0.89	0.42	210	428	0.216	0.046	0.619	0.398	210	520	0.176	0.114	0.290	0.606
210	354	0.260	0.45	1.01	0.44	210	429	0.899	0.055	1.668	0.233	210	521	0.226	0.111	0.027	0.827
210	355	0.297	0.46	1.35	0.44	210	430	0.51	0.067	3.356	0.124	210	522	0.224	0.103	0.032	0.676
210	356	0.289	0.36	1.59	0.44	210	431	1.13	0.079	4.333	0.089	210	523	0.166	0.095	0.098	0.550
210	357	0.293	0.50	1.12	0.44	210	432	1.69	0.091	5.000	0.042	210	524	0.184	0.099	0.116	0.571
210	358	0.391	0.75	1.36	0.44	210	433	2.50	0.110	6.222	0.020	210	525	0.651	0.162	0.013	1.159
210	359	0.498	1.03	2.28	0.88	210	434	3.22	0.121	7.555	0.037	210	526	0.443	0.096	0.098	0.875
210	360	0.000	0.93	2.41	0.88	210	435	3.93	0.139	8.444	0.034	210	527	0.323	0.063	0.109	0.561
210	361	0.000	0.52	0.56	0.41	210	436	4.73	0.163	9.017	0.045	210	528	0.023	0.062	0.173	0.296
210	362	0.163	0.49	0.75	0.36	210	437	2.52	0.049	10.788	0.452	210	529	0.152	0.035	0.040	0.339
210	363	0.253	0.52	0.87	0.42	210	438	0.91	0.055	1.066	0.285	210	530	0.247	0.044	0.105	0.416
210	364	0.244	0.54	0.02	0.41	210	439	0.13	0.073	2.666	0.202	210	531	0.146	0.032	0.040	0.275
210	365	0.111	0.56	1.01	0.41	210	440	0.73	0.087	3.900	0.144	210	532	0.063	0.086	0.360	0.412
210	366	0.223	0.52	0.59	0.41	210	441	1.11	0.092	4.119	0.118	210	533	0.269	0.177	0.225	0.827
210	367	0.347	0.51	0.23	0.42	210	442	1.81	0.099	5.422	0.059	210	534	0.381	0.137	0.025	0.906
210	368	0.447	0.69	1.44	0.60	210	443	2.19	0.112	6.422	0.071	210	535	0.340	0.093	0.186	0.688
210	369	0.218	0.51	0.36	0.38	210	444	2.68	0.128	7.488	0.087	210	536	0.344	0.056	0.173	0.580
210	370	0.353	0.47	0.59	0.37	210	445	3.36	0.172	8.888	0.196	210	537	0.354	0.072	0.094	0.718
210	371	0.440	0.49	0.87	0.42	210	446	0.68	0.063	9.555	0.257	210	538	0.238	0.039	0.078	0.485
210	372	0.553	0.49	0.97	0.43	210	447	0.21	0.077	3.440	0.162	210	539	0.161	0.034	0.051	0.297
210	373	0.266	0.49	1.23	0.43	210	448	0.72	0.091	4.440	0.157	210	540	0.096	0.099	0.109	0.576
210	374	0.202	0.56	0.88	0.51	210	449	1.00	0.097	5.577	0.130	210	541	0.238	0.211	0.524	0.831
210	375	0.993	0.55	1.12	0.52	210	450	1.46	0.101	5.500	0.084	210	542	0.442	0.129	0.121	0.886
210	401	0.444	0.55	1.75	0.52	210	451	1.64	0.109	5.999	0.093	210	543	0.372	0.104	0.095	0.723
210	402	0.444	0.79	3.89	1.61	210	452	1.73	0.116	6.099	0.112	210	544	0.344	0.055	0.171	0.555
210	403	0.555	0.70	3.44	2.15	210	453	1.88	0.118	7.055	0.156	210	545	0.337	0.055	0.147	0.580
210	404	0.966	0.71	3.47	1.69	210	454	2.22	0.119	7.155	0.131	210	546	0.340	0.066	0.105	0.633
210	405	1.644	0.82	4.60	2.26	210	455	2.26	0.123	7.311	0.155	210	547	0.243	0.043	0.089	0.395
210	406	1.993	0.88	5.05	0.83	210	456	2.21	0.126	7.441	0.127	210	548	0.214	0.040	0.071	0.360
210	407	2.555	1.11	5.71	0.62	210	457	1.78	0.136	7.727	0.339	210	549	0.264	0.100	0.004	0.666
210	408	2.993	1.25	6.39	0.55	210	458	1.87	0.140	7.500	0.329	210	550	0.295	0.053	0.098	0.521
210	409	4.722	1.52	9.31	1.33	210	501	1.67	0.116	6.225	0.177	210	551	0.344	0.058	0.149	0.646
210	410	1.266	0.47	0.54	0.55	210	502	0.55	0.078	9.911	0.296	210	552	0.343	0.066	0.143	0.635
210	411	0.655	0.65	2.44	1.19	210	503	1.33	0.107	5.333	0.123	210	553	0.389	0.083	0.174	0.751
210	412	1.033	0.76	3.55	1.24	210	504	0.04	0.065	2.955	0.183	210	554	0.431	0.131	0.179	0.327
210	413	1.722	0.86	4.69	0.66	210	505	0.82	0.085	4.655	0.153	210	555	0.420	0.097	0.175	0.052
210	414	2.511	0.93	5.64	0.00	210	506	0.33	0.060	2.311	0.214	210	601	0.040	0.057	0.234	0.260
210	415	3.099	1.06	6.30	0.15	210	507	0.02	0.104	4.366	0.627	210	602	0.007	0.074	0.455	0.230
210	416	3.377	1.20	7.13	0.55	210	508	1.83	0.179	1.933	0.485	210	603	0.054	0.096	0.521	0.421
210	417	4.330	1.46	8.48	0.66	210	509	1.98	0.131	0.666	0.996	210	604	0.105	0.100	0.660	0.305
210	418	5.600	1.71	0.64	0.20	210	510	1.51	0.087	0.877	0.694	210	605	0.082	0.123	0.576	0.669
210	419	1.777	0.45	0.49	0.31	210	511	1.30	0.091	1.911	0.574	210	606	0.025	0.056	0.203	0.230
210	420	0.488	0.60	2.49	0.22	210	512	2.10	0.145	0.677	0.069	210	607	0.049	0.070	0.434	0.143
210	421	0.755	0.79	4.34	1.61	210	513	2.06	0.134	0.976	0.102	210	608	0.079	0.078	0.508	0.475
210	422	1.800	0.90	5.27	0.66	210	514	0.99	0.066	1.522	0.460	210	609	0.093	0.082	0.530	0.134
210	423	2.440	1.03	5.98	0.22	210	515	1.03	0.068	2.711	0.406	210	610	0.067	0.073	0.461	0.189
210	424	3.055	1.18	6.84	0.12	210	516	1.06	0.173	3.744	0.030	210	611	0.049	0.067	0.425	0.110
210	425	3.444	1.25	8.08	0.00	210	517	1.95	0.143	1.211	0.984	210	612	0.081	0.067	0.388	0.129

APPENDIX A -- PRESSURE DATA:

MAIN PLACE HOTEL -- CONF. A -- DALLAS, TEXAS

WD	TAP	CPMEAN	CPRMS	CPMAX	CPMIN	WD	TAP	CPMEAN	CPRMS	CPMAX	CPMIN	WD	TAP	CPMEAN	CPRMS	CPMAX	CPMIN
210	613	.087	.066	.396	.089	210	708	.113	.047	.031	.287	225	11	.359	.113	.039	.727
210	614	.068	.059	.323	.160	210	709	.245	.102	.020	.677	225	12	.376	.111	.012	.729
210	615	.012	.047	.206	.179	210	710	.151	.070	.031	.505	225	13	.364	.116	.035	.835
210	616	.255	.052	.115	.495	210	711	.144	.049	.037	.338	225	14	.374	.112	.010	.808
210	617	.219	.062	.043	.578	210	712	.207	.069	.011	.630	225	15	.600	.102	.025	.683
210	618	.168	.058	.011	.566	210	713	.048	.078	.264	.374	225	16	.222	.101	.033	.684
210	619	.148	.055	.009	.526	210	715	.015	.064	.321	.242	225	17	.226	.102	.002	.769
210	620	.126	.047	.042	.375	210	716	.064	.062	.390	.165	225	18	.333	.105	.042	.783
210	621	.123	.056	.057	.428	210	717	.031	.062	.380	.191	225	19	.300	.099	.046	.740
210	622	.125	.062	.069	.415	210	718	.063	.058	.236	.265	225	20	.300	.119	.103	.114
210	623	.136	.075	.103	.519	210	719	.052	.058	.316	.124	225	21	.300	.110	.069	.925
210	624	.146	.086	.173	.524	210	720	.001	.054	.371	.213	225	22	.481	.104	.244	.182
210	625	.241	.049	.096	.451	210	721	.096	.066	.383	.383	225	23	.441	.092	.158	.972
210	626	.189	.044	.067	.388	210	722	.056	.064	.370	.139	225	24	.467	.095	.098	.021
210	627	.139	.040	.011	.311	210	723	.005	.052	.312	.168	225	25	.414	.092	.093	.215
210	628	.112	.033	.000	.233	210	724	.093	.056	.344	.252	225	26	.432	.097	.155	.777
210	629	.111	.037	.030	.253	210	725	.045	.061	.363	.121	225	27	.444	.100	.080	.946
210	630	.110	.038	.018	.256	210	726	.066	.071	.448	.123	225	28	.444	.104	.017	.831
210	631	.111	.043	.045	.262	210	727	.026	.058	.325	.144	225	29	.411	.100	.025	.831
210	632	.129	.066	.135	.397	210	728	.008	.047	.252	.116	225	30	.352	.088	.032	.888
210	633	.152	.075	.189	.571	210	729	.072	.045	.191	.235	225	31	.300	.112	.069	.959
210	634	.191	.044	.029	.370	210	730	.113	.050	.159	.314	225	32	.300	.109	.017	.967
210	635	.147	.037	.007	.289	210	731	.167	.066	.143	.538	225	33	.300	.101	.037	.690
210	636	.106	.030	.004	.206	210	732	.165	.053	.044	.404	225	34	.300	.096	.049	.690
210	637	.104	.033	.030	.207	210	733	.146	.065	.140	.417	225	35	.300	.102	.028	.731
210	638	.104	.034	.016	.207	210	734	.193	.051	.015	.457	225	36	.300	.099	.000	.754
210	639	.108	.038	.020	.244	210	735	.185	.053	.007	.445	225	37	.300	.090	.009	.609
210	640	.116	.051	.033	.359	210	736	.166	.061	.107	.410	225	38	.300	.092	.033	.668
210	641	.104	.092	.262	.462	210	737	.194	.048	.015	.399	225	39	.300	.269	.365	.897
210	642	.308	.056	.134	.559	210	738	.206	.055	.026	.387	225	40	.215	.133	.002	.118
210	643	.252	.056	.036	.445	210	739	.162	.060	.119	.342	225	41	.466	.100	.173	.993
210	644	.279	.064	.086	.539	210	740	.194	.049	.072	.408	225	42	.466	.097	.152	.089
210	645	.345	.069	.174	.646	210	741	.168	.049	.035	.347	225	43	.433	.094	.076	.101
210	646	.335	.073	.137	.764	210	742	.155	.055	.031	.347	225	44	.473	.097	.031	.338
210	647	.225	.047	.064	.399	210	743	.199	.057	.020	.476	225	45	.472	.114	.116	.298
210	648	.251	.049	.099	.473	210	744	.198	.048	.002	.388	225	46	.388	.106	.095	.952
210	649	.274	.060	.110	.520	210	745	.198	.057	.024	.399	225	47	.444	.116	.030	.000
210	650	.334	.074	.116	.620	210	746	.175	.067	.039	.559	225	48	.444	.121	.007	.436
210	651	.334	.072	.112	.612	210	747	.151	.042	.240	.062	225	49	.422	.107	.125	.941
210	652	.201	.049	.009	.367	210	748	.170	.035	.066	.273	225	50	.443	.109	.076	.077
210	653	.154	.055	.031	.362	225	1	.694	.313	.527	.821	225	51	.337	.094	.009	.889
210	654	.199	.087	.074	.528	225	2	.224	.073	.010	.823	225	52	.337	.105	.009	.954
210	655	.359	.111	.125	.939	225	3	.443	.100	.143	.164	225	53	.333	.108	.095	.799
210	701	.183	.125	.167	.071	225	4	.466	.102	.129	.154	225	54	.300	.114	.042	.769
210	702	.094	.062	.101	.355	225	5	.442	.102	.066	.308	225	55	.300	.088	.037	.602
210	703	.077	.058	.153	.314	225	6	.452	.101	.100	.006	225	56	.300	.097	.012	.771
210	704	.062	.052	.195	.259	225	7	.379	.098	.005	.900	225	57	.300	.094	.028	.700
210	705	.122	.056	.165	.334	225	8	.390	.102	.038	.037	225	58	.414	.094	.028	.700
210	706	.246	.130	.157	.869	225	9	.376	.111	.026	.837	225	59	.331	.106	.025	.794
210	707	.094	.055	.087	.406	225	10	.404	.116	.007	.864	225	60	.448	.099	.190	.053

APPENDIX A -- PRESSURE DATA:

MAIN PLACE HOTEL -- CONF. A -- DALLAS , TEXAS

WD	TAP	CPMEAN	CPRMS	CPMAX	CPMIN	WD	TAP	CPMEAN	CPRMS	CPMAX	CPMIN	WD	TAP	CPMEAN	CPRMS	CPMAX	CPMIN
2225	61	.433	.091	.050	.837	2225	111	.433	.129	.073	.999	2225	161	.318	.128	.018	.911
2225	62	.486	.096	.054	.947	2225	112	.385	.111	.017	.927	2225	162	.299	.116	.035	.971
2225	63	.390	.089	.046	.831	2225	113	.385	.106	.026	.984	2225	163	.245	.099	.011	.721
2225	64	.362	.088	.047	.705	2225	114	.436	.110	.085	.969	2225	164	.222	.082	.000	.612
2225	65	.334	.095	.038	.804	2225	115	.397	.103	.102	.965	2225	165	.250	.085	.018	.684
2225	66	.351	.097	.066	.781	2225	116	.344	.088	.031	.702	2225	166	.229	.092	.062	.729
2225	67	.300	.096	.139	.731	2225	117	.263	.082	.036	.536	2225	167	.244	.093	.129	.623
2225	68	.325	.080	.026	.595	2225	118	.311	.086	.002	.603	2225	168	.289	.083	.019	.626
2225	69	.320	.089	.080	.594	2225	119	.298	.083	.024	.577	2225	169	.139	.077	.234	.510
2225	70	.347	.090	.034	.622	2225	120	.302	.078	.029	.558	2225	170	.183	.083	.168	.587
2225	71	.310	.088	.083	.595	2225	121	.325	.086	.021	.670	2225	171	.168	.072	.055	.498
2225	72	.346	.091	.012	.637	2225	122	.381	.097	.041	.788	2225	172	.100	.077	.030	.638
2225	73	.351	.101	.088	.993	2225	123	.334	.114	.146	.752	2225	173	.261	.092	.048	.707
2225	74	.388	.109	.228	.085	2225	124	.261	.133	.364	.781	2225	174	.262	.100	.035	.755
2225	75	.349	.124	.352	.136	2225	125	.217	.141	.336	.629	2225	175	.215	.114	.287	.765
2225	76	.348	.118	.226	.837	2225	126	.252	.114	.200	.766	2225	176	.134	.125	.437	.692
2225	77	.256	.101	.062	.680	2225	127	.219	.098	.080	.720	2225	177	.044	.121	.484	.767
2225	78	.292	.102	.063	.664	2225	128	.202	.083	.067	.533	2225	178	.066	.058	.198	.320
2225	79	.280	.091	.007	.638	2225	129	.207	.074	.019	.546	2225	179	.082	.048	.131	.392
2225	80	.637	.272	.458	.607	2225	130	.268	.075	.071	.674	2225	180	.094	.041	.042	.320
2225	81	.257	.188	.060	.228	2225	131	.243	.077	.007	.701	2225	181	.109	.039	.011	.289
2225	82	.430	.103	.039	.059	2225	132	.564	.266	.323	.856	2225	182	.149	.055	.005	.428
2225	83	.405	.099	.073	.936	2225	133	.366	.174	.012	.128	2225	183	.133	.051	.014	.471
2225	84	.380	.100	.038	.992	2225	134	.489	.154	.034	.120	2225	184	.254	.089	.056	.736
2225	85	.358	.109	.081	.959	2225	135	.441	.148	.024	.220	2225	185	.246	.081	.048	.707
2225	86	.392	.098	.071	.776	2225	136	.378	.126	.012	.838	2225	186	.236	.075	.030	.700
2225	87	.373	.088	.029	.674	2225	137	.350	.123	.024	.897	2225	187	.173	.071	.064	.560
2225	88	.367	.080	.012	.628	2225	138	.363	.114	.071	.915	2225	188	.112	.069	.171	.537
2225	89	.334	.078	.024	.608	2225	139	.356	.114	.075	.888	2225	189	.232	.094	.000	.668
2225	90	.367	.072	.076	.647	2225	140	.386	.116	.067	.891	2225	190	.217	.084	.023	.718
2225	91	.318	.072	.068	.538	2225	141	.379	.125	.100	.987	2225	191	.154	.058	.115	.409
2225	92	.302	.073	.012	.594	2225	142	.323	.108	.085	.845	2225	192	.108	.057	.138	.348
2225	93	.280	.073	.038	.606	2225	143	.173	.080	.342	.456	2225	193	.089	.055	.115	.337
2225	94	.344	.076	.041	.725	2225	144	.155	.080	.199	.472	2225	194	.111	.077	.184	.518
2225	95	.348	.079	.027	.783	2225	145	.168	.078	.169	.477	2225	195	.329	.152	.015	.666
2225	96	.345	.083	.026	.774	2225	146	.236	.077	.093	.534	2225	196	.270	.104	.026	.801
2225	97	.316	.085	.098	.687	2225	147	.263	.097	.138	.666	2225	197	.234	.095	.007	.831
2225	98	.359	.102	.186	.676	2225	148	.233	.111	.362	.810	2225	198	.190	.090	.018	.805
2225	99	.327	.113	.313	.686	2225	149	.171	.137	.570	.744	2225	199	.155	.098	.103	.799
2225	100	.272	.089	.038	.623	2225	150	.134	.159	.681	.818	2225	200	.126	.048	.009	.376
2225	101	.229	.086	.060	.577	2225	151	.078	.149	.521	.565	2225	201	.104	.050	.108	.328
2225	102	.270	.081	.010	.622	2225	152	.133	.081	.164	.456	2225	202	.104	.047	.069	.329
2225	103	.251	.070	.027	.572	2225	153	.125	.067	.106	.450	2225	203	.096	.044	.046	.328
2225	104	.270	.069	.079	.561	2225	154	.127	.057	.039	.364	2225	204	.109	.042	.035	.341
2225	105	.231	.062	.026	.539	2225	155	.135	.055	.046	.427	2225	205	.094	.048	.051	.425
2225	106	.707	.302	.288	.811	2225	156	.162	.060	.023	.449	2225	206	.102	.063	.159	.327
2225	107	.380	.195	.015	.445	2225	157	.158	.061	.007	.422	2225	207	.100	.050	.087	.301
2225	108	.463	.117	.053	.119	2225	158	.597	.334	.276	.819	2225	208	.123	.053	.061	.371
2225	109	.421	.115	.029	.114	2225	159	.323	.151	.000	.109	2225	209	.103	.049	.071	.340
2225	110	.462	.122	.017	.074	2225	160	.348	.128	.042	.960	2225	210	.106	.053	.094	.311

APPENDIX A -- PRESSURE DATA:

MAIN PLACE HOTEL -- CONF. A -- DALLAS , TEXAS

WD	TAP	CPMEAN	CPRMS	CPMAX	CPMIN	WD	TAP	CPMEAN	CPRMS	CPMAX	CPMIN	WD	TAP	CPMEAN	CPRMS	CPMAX	CPMIN
2225	211	.109	.065	.113	.466	2225	3345	.206	.062	.044	.499	2225	420	.138	.092	.464	.127
2225	212	.122	.039	.000	.333	2225	3346	.238	.061	.046	.466	2225	421	.277	.117	.662	.056
2225	213	.123	.042	.002	.333	2225	3347	.356	.082	.114	.648	2225	422	.362	.127	.758	.031
2225	214	.117	.040	.051	.288	2225	3348	.409	.108	.129	1.205	2225	423	.403	.138	.850	.019
2225	215	.113	.042	.048	.288	2225	3349	.391	.102	.125	1.114	2225	424	.440	.149	.925	.012
2225	216	.111	.042	.089	.288	2225	3350	.331	.100	.059	.760	2225	425	.481	.168	1.120	.002
2225	301	.257	.084	.012	.628	2225	3351	.131	.047	.026	.421	2225	426	.502	.178	1.129	.005
2225	302	.243	.072	.023	.628	2225	3352	.129	.044	.014	.331	2225	427	.471	.197	1.134	.085
2225	303	.238	.071	.016	.811	2225	3353	.147	.051	.021	.378	2225	428	.050	.073	.265	.256
2225	304	.244	.064	.016	.736	2225	3354	.140	.054	.084	.362	2225	429	.093	.096	.482	.150
2225	305	.258	.065	.048	.886	2225	3355	.192	.060	.050	.461	2225	430	.223	.113	.618	.043
2225	306	.262	.056	.048	.886	2225	3356	.195	.040	.032	.338	2225	431	.271	.129	.710	.007
2225	307	.249	.052	.053	.471	2225	3357	.215	.071	.056	.492	2225	432	.301	.136	.765	.022
2225	308	.250	.050	.049	.456	2225	3358	.305	.096	.068	.687	2225	433	.356	.147	.856	.082
2225	309	.246	.051	.039	.438	2225	3359	.387	.127	.026	.889	2225	434	.387	.152	.860	.036
2225	310	.227	.052	.055	.430	2225	3360	.534	.145	.142	1.293	2225	435	.376	.166	.879	.040
2225	311	.227	.080	.033	.607	2225	3361	.091	.046	.084	.265	2225	436	.323	.186	.873	.184
2225	312	.245	.068	.032	.536	2225	3362	.075	.051	.107	.255	2225	437	.110	.069	.252	.325
2225	313	.249	.063	.023	.533	2225	3363	.102	.058	.128	.300	2225	438	.061	.077	.482	.133
2225	314	.221	.055	.005	.532	2225	3364	.077	.070	.269	.296	2225	439	.070	.077	.651	.090
2225	315	.260	.050	.045	.520	2225	3365	.076	.090	.338	.341	2225	440	.199	.112	.696	.079
2225	316	.247	.048	.051	.475	2225	3366	.059	.079	.333	.300	2225	441	.242	.128	.766	.056
2225	317	.254	.047	.091	.457	2225	3367	.094	.063	.252	.777	2225	442	.265	.129	.775	.005
2225	318	.253	.049	.068	.460	2225	3368	.198	.074	.076	.503	2225	443	.255	.131	.772	.059
2225	319	.254	.050	.095	.475	2225	3369	.084	.045	.077	.267	2225	444	.226	.132	.806	.146
2225	320	.236	.050	.085	.450	2225	3370	.066	.044	.084	.269	2225	445	.163	.144	.693	.286
2225	321	.261	.060	.049	.555	2225	3371	.099	.051	.163	.314	2225	446	.043	.072	.302	.157
2225	322	.232	.056	.061	.462	2225	3372	.088	.054	.269	.310	2225	447	.158	.090	.530	.073
2225	323	.232	.055	.087	.488	2225	3373	.089	.052	.146	.309	2225	448	.238	.110	.669	.041
2225	324	.232	.053	.085	.464	2225	3374	.062	.050	.198	.214	2225	449	.284	.130	.734	.032
2225	325	.232	.051	.100	.434	2225	3375	.094	.054	.121	.319	2225	450	.322	.133	.810	.000
2225	326	.234	.049	.089	.410	2225	401	.079	.082	.349	.216	2225	451	.328	.140	.850	.014
2225	327	.264	.051	.116	.437	2225	402	.216	.110	.559	.151	2225	452	.331	.145	.873	.014
2225	328	.244	.049	.092	.404	2225	403	.239	.104	.529	.137	2225	453	.305	.135	.802	.017
2225	329	.246	.049	.086	.415	2225	404	.269	.110	.648	.118	2225	454	.319	.131	.787	.010
2225	330	.216	.050	.041	.380	2225	405	.311	.115	.732	.101	2225	455	.301	.131	.755	.014
2225	331	.223	.058	.043	.461	2225	406	.359	.123	.685	.088	2225	456	.282	.126	.727	.029
2225	332	.221	.056	.000	.457	2225	407	.405	.142	.812	.123	2225	457	.244	.122	.800	.058
2225	333	.220	.055	.005	.480	2225	408	.431	.154	.885	.077	2225	458	.191	.104	.608	.040
2225	334	.222	.060	.002	.444	2225	409	.515	.174	1.030	.010	2225	501	.294	.123	.860	.019
2225	335	.281	.063	.052	.530	2225	410	.048	.070	.326	.195	2225	502	.070	.090	.521	.186
2225	336	.294	.063	.083	.569	2225	411	.202	.101	.561	.192	2225	503	.297	.131	.885	.019
2225	337	.292	.062	.116	.541	2225	412	.302	.120	.689	.122	2225	504	.111	.094	.449	.178
2225	338	.250	.061	.073	.485	2225	413	.363	.125	.800	.012	2225	505	.216	.104	.658	.052
2225	339	.274	.063	.090	.508	2225	414	.427	.129	.875	.029	2225	506	.077	.088	.421	.208
2225	340	.375	.104	.097	.877	2225	415	.471	.141	.912	.000	2225	507	.352	.147	.143	.996
2225	341	.135	.061	.174	.397	2225	416	.520	.152	.928	.060	2225	508	.434	.183	.019	.305
2225	342	.119	.062	.259	.391	2225	417	.567	.166	1.091	.061	2225	509	.360	.120	.090	.973
2225	343	.160	.068	.248	.339	2225	418	.597	.171	1.252	.050	2225	510	.255	.083	.026	.777
2225	344	.157	.065	.225	.379	2225	419	.016	.067	2.775	.225	2225	511	.282	.099	.051	.756

APPENDIX A -- PRESSURE DATA:

MAIN PLACE HOTEL -- CONF. A -- DALLAS, TEXAS

WD	TAP	CPMEAN	CPRMS	CPMAX	CPMIN	WD	TAP	CPMEAN	CPRMS	CPMAX	CPMIN	WD	TAP	CPMEAN	CPRMS	CPMAX	CPMIN
2225	512	.322	.114	.019	.88	2225	607	.007	.040	.141	-.204	2225	702	.244	.087	-.026	-.680
2225	513	.290	.089	.054	.66	2225	608	.008	.043	.118	-.220	2225	703	.156	.058	-.072	-.649
2225	514	.188	.074	.103	.504	2225	609	.041	.058	.213	-.422	2225	704	.102	.046	.081	-.305
2225	515	.193	.076	.114	.538	2225	610	.085	.071	.210	-.479	2225	705	.104	.051	.098	-.399
2225	516	.295	.129	.067	.409	2225	611	.000	.035	.131	-.145	2225	706	.357	.157	-.056	-1.290
2225	517	.290	.102	.012	.11	2225	612	.007	.036	.155	-.123	2225	707	.170	.060	.005	-.460
2225	518	.360	.090	.067	.11	2225	613	.004	.038	.147	-.121	2225	708	.119	.045	.014	-.340
2225	519	.336	.094	.136	.933	2225	614	.040	.041	.163	-.166	2225	709	.305	.112	.002	-.957
2225	520	.288	.086	.076	.733	2225	615	.013	.043	.197	-.155	2225	710	.186	.060	.016	-.467
2225	521	.276	.091	.121	.718	2225	616	.123	.071	.037	-.457	2225	711	.131	.043	.051	-.370
2225	522	.266	.088	.091	.711	2225	617	.094	.086	.121	-.555	2225	712	.194	.062	.016	-.640
2225	523	.233	.083	.162	.600	2225	618	.085	.085	.198	-.565	2225	713	.252	.103	.037	-.796
2225	524	.250	.083	.156	.644	2225	619	.081	.086	.230	-.586	2225	715	.117	.073	.199	-.474
2225	525	.870	.175	.255	-1.44	2225	620	.071	.068	.118	-.436	2225	716	.075	.071	.330	-.439
2225	526	.602	.144	.157	-1.21	2225	621	.059	.078	.166	-.481	2225	717	.033	.067	.264	-.310
2225	527	.273	.090	.019	.77	2225	622	.065	.081	.196	-.595	2225	718	.126	.056	.093	-.385
2225	528	.173	.092	.083	.53	2225	623	.000	.093	.321	-.351	2225	719	.062	.060	.162	-.305
2225	529	.360	.084	.044	.666	2225	624	.038	.112	.659	-.441	2225	720	.034	.054	.259	-.210
2225	530	.233	.071	.021	.56	2225	625	.092	.049	.064	-.308	2225	721	.099	.048	.086	-.315
2225	531	.233	.066	.014	.515	2225	626	.075	.044	.077	-.236	2225	722	.057	.059	.196	-.329
2225	532	.355	.131	.258	.738	2225	627	.043	.043	.105	-.204	2225	723	.025	.057	.333	-.213
2225	533	.560	.155	.082	-1.13	2225	628	.021	.038	.162	-.167	2225	724	.066	.045	.106	-.256
2225	534	.599	.157	.286	-1.17	2225	629	.016	.040	.149	-.182	2225	725	.071	.048	.301	-.238
2225	535	.317	.138	.172	.754	2225	630	.030	.039	.135	-.194	2225	726	.051	.055	.374	-.231
2225	536	.279	.083	.007	.800	2225	631	.029	.041	.148	-.204	2225	727	.043	.051	.201	-.256
2225	537	.268	.113	.028	.831	2225	632	.036	.049	.234	-.155	2225	728	.041	.047	.226	-.180
2225	538	.288	.066	.021	.44	2225	633	.070	.073	.450	-.173	2225	729	.071	.041	.114	-.212
2225	539	.277	.067	.032	.662	2225	634	.059	.047	.149	-.229	2225	730	.082	.039	.136	-.217
2225	540	.113	.135	.071	.98	2225	635	.027	.045	.180	-.166	2225	731	.114	.053	.051	-.421
2225	541	.580	.174	.145	.09	2225	636	.019	.049	.237	-.107	2225	732	.118	.046	.030	-.397
2225	542	.569	.178	.454	-1.16	2225	637	.025	.054	.289	-.178	2225	733	.106	.050	.035	-.402
2225	543	.345	.187	.575	.88	2225	638	.013	.051	.285	-.182	2225	734	.132	.044	.007	-.420
2225	544	.276	.077	.031	.53	2225	639	.004	.048	.199	-.211	2225	735	.123	.043	.002	-.404
2225	545	.297	.092	.037	.66	2225	640	.001	.046	.251	-.325	2225	736	.105	.044	.067	-.342
2225	546	.303	.118	.037	.200	2225	641	.039	.065	.310	-.201	2225	737	.126	.039	.000	-.317
2225	547	.236	.062	.042	.561	2225	642	.205	.075	.016	-.474	2225	738	.132	.039	.005	-.329
2225	548	.288	.059	.104	.552	2225	643	.157	.061	.014	-.457	2225	739	.112	.040	.044	-.341
2225	549	.446	.108	.149	.91	2225	644	.169	.063	.014	-.492	2225	740	.122	.040	.016	-.524
2225	550	.330	.065	.117	.57	2225	645	.221	.087	.016	-.771	2225	741	.119	.036	.007	-.291
2225	551	.339	.106	.044	.90	2225	646	.228	.103	.021	-.749	2225	742	.121	.036	.005	-.301
2225	552	.314	.083	.033	.68	2225	647	.131	.056	.058	-.386	2225	743	.105	.039	.018	-.349
2225	553	.331	.085	.019	.76	2225	648	.149	.053	.021	-.362	2225	744	.123	.037	.005	-.299
2225	554	.335	.079	.080	.86	2225	649	.166	.064	.021	-.600	2225	745	.117	.041	.005	-.356
2225	555	.355	.101	.111	.90	2225	650	.208	.094	.030	-.631	2225	746	.121	.044	.012	-.347
2225	601	.018	.080	.223	.40	2225	651	.225	.098	.028	-.767	2225	747	.220	.031	.289	-.145
2225	602	.056	.088	.175	.67	2225	652	.073	.055	.203	-.261	2225	748	.109	.015	.065	-.159
2225	603	.100	.123	.173	.91	2225	653	.050	.051	.220	-.266	2240	1	.417	.117	.146	-1.281
2225	604	.112	.163	.146	.49	2225	654	.041	.056	.213	-.275	2240	2	.439	.097	.061	-.907
2225	605	.305	.210	.171	-1.49	2225	655	.188	.102	.072	-.792	2240	3	.338	.093	.036	-.875
2225	606	.000	.048	.159	.28	2225	701	.328	.111	.035	-1.003	2240	4	.366	.101	.017	-.933

APPENDIX A -- PRESSURE DATA:

MAIN PLACE HOTEL -- CONF. A -- DALLAS , TEXAS

WD	TAP	CPMEAN	CPRMS	CPMAX	CPMIN	WD	TAP	CPMEAN	CPRMS	CPMAX	CPMIN	WD	TAP	CPMEAN	CPRMS	CPMAX	CPMIN
240	5	.359	.112	.017	-.026	240	55	.299	.082	.057	-.607	240	105	.426	.068	.015	-.511
240	6	.401	.117	.005	-.046	240	56	.308	.088	.044	-.642	240	106	.406	.144	.097	-.333
240	7	.359	.116	.043	-.997	240	57	.302	.102	-.019	-.957	240	107	.402	.136	.037	-.294
240	8	.386	.122	.058	-.975	240	58	.299	.087	-.058	-.839	240	108	.335	.114	.019	-.981
240	9	.364	.115	.056	-.033	240	59	.249	.084	-.036	-.995	240	109	.334	.114	.017	-.929
240	10	.397	.118	.038	-.051	240	60	.333	.094	-.015	-.955	240	110	.378	.113	.019	-.970
240	11	.351	.117	.060	-.999	240	61	.344	.096	-.002	-.801	240	111	.399	.128	.019	-.123
240	12	.374	.120	.012	-.077	240	62	.395	.108	-.023	-.902	240	112	.327	.091	.004	-.658
240	13	.363	.123	.080	-.045	240	63	.314	.088	.031	-.693	240	113	.306	.079	.019	-.578
240	14	.390	.124	.013	-.097	240	64	.305	.074	-.005	-.553	240	114	.329	.074	.076	-.657
240	15	.330	.111	.029	-.081	240	65	.266	.071	-.046	-.565	240	115	.355	.070	.071	-.532
240	16	.339	.108	.019	-.797	240	66	.333	.069	.091	-.547	240	116	.392	.063	.068	-.500
240	17	.311	.113	.027	-.935	240	67	.275	.066	-.074	-.490	240	117	.322	.061	.063	-.513
240	18	.335	.117	.030	-.062	240	68	.299	.057	-.102	-.471	240	118	.326	.062	.071	-.552
240	19	.295	.120	.062	-.117	240	69	.304	.059	-.037	-.482	240	119	.318	.062	.065	-.535
240	20	.302	.115	.044	-.950	240	70	.300	.060	-.046	-.512	240	120	.303	.063	.081	-.502
240	21	.285	.097	.085	-.047	240	71	.299	.058	.002	-.666	240	121	.310	.064	.093	-.505
240	22	.360	.097	-.022	-.795	240	72	.331	.059	.010	-.505	240	122	.350	.065	.065	-.550
240	23	.347	.100	.027	-.965	240	73	.333	.065	.000	-.526	240	123	.349	.069	.117	-.515
240	24	.387	.104	.043	-.998	240	74	.350	.069	.000	-.570	240	124	.325	.071	.106	-.617
240	25	.350	.103	.007	-.873	240	75	.333	.075	.007	-.626	240	125	.333	.081	.112	-.742
240	26	.377	.103	.024	-.904	240	76	.322	.093	.022	-.544	240	126	.333	.070	.030	-.578
240	27	.365	.116	.012	-.904	240	77	.344	.083	-.028	-.753	240	127	.309	.069	.002	-.584
240	28	.399	.118	.003	-.998	240	78	.300	.085	.024	-.777	240	128	.327	.073	.030	-.568
240	29	.351	.114	.045	-.932	240	79	.299	.097	.022	-.742	240	129	.306	.080	.028	-.597
240	30	.314	.114	.070	-.008	240	80	.335	.151	-.021	-.492	240	130	.306	.090	.069	-.742
240	31	.361	.111	.024	-.028	240	81	.333	.131	-.028	-.206	240	131	.310	.088	.061	-.322
240	32	.391	.114	.013	-.051	240	82	.344	.113	-.035	-.082	240	132	.420	.159	.028	-.477
240	33	.337	.109	.086	-.038	240	83	.333	.109	.041	-.102	240	133	.398	.142	.058	-.107
240	34	.343	.103	.010	-.938	240	84	.333	.113	.036	-.111	240	134	.325	.121	.041	-.989
240	35	.319	.103	.002	-.899	240	85	.354	.125	.035	-.111	240	135	.391	.121	.022	-.035
240	36	.344	.106	.028	-.975	240	86	.333	.088	.019	-.759	240	136	.371	.108	.072	-.886
240	37	.293	.103	.041	-.932	240	87	.310	.075	-.026	-.630	240	137	.338	.118	.091	-.111
240	38	.321	.117	.024	-.989	240	88	.299	.071	.002	-.564	240	138	.333	.097	.128	-.779
240	39	.421	.114	.104	-.188	240	89	.278	.068	-.006	-.522	240	139	.365	.091	.117	-.786
240	40	.390	.109	.014	-.899	240	90	.333	.067	.035	-.553	240	140	.332	.083	.072	-.771
240	41	.346	.097	.010	-.035	240	91	.300	.065	-.035	-.517	240	141	.316	.079	.078	-.805
240	42	.385	.107	.048	-.136	240	92	.299	.063	.051	-.496	240	142	.343	.072	.115	-.428
240	43	.346	.102	.031	-.167	240	93	.322	.064	.041	-.481	240	143	.330	.067	.110	-.608
240	44	.383	.110	.063	-.955	240	94	.311	.065	.058	-.439	240	144	.330	.068	.083	-.573
240	45	.367	.108	.002	-.899	240	95	.299	.065	.093	-.550	240	145	.302	.068	.069	-.552
240	46	.319	.118	.058	-.894	240	96	.300	.063	.075	-.600	240	146	.346	.069	.104	-.597
240	47	.351	.105	.043	-.833	240	97	.300	.062	.069	-.522	240	147	.350	.069	.095	-.626
240	48	.369	.107	.056	-.943	240	98	.344	.069	.106	-.584	240	148	.322	.069	.109	-.613
240	49	.359	.103	.054	-.904	240	99	.343	.079	-.087	-.322	240	149	.326	.073	.108	-.688
240	50	.388	.102	.035	-.973	240	100	.288	.065	.000	-.553	240	150	.370	.083	.123	-.812
240	51	.339	.094	.050	-.863	240	101	.277	.065	.009	-.513	240	151	.382	.095	.074	-.868
240	52	.353	.096	.022	-.833	240	102	.299	.068	.017	-.517	240	152	.374	.072	.030	-.593
240	53	.326	.085	.112	-.726	240	103	.288	.076	.015	-.84	240	153	.352	.069	.031	-.510
240	54	.346	.088	.041	-.702	240	104	.282	.067	.015	-.605	240	154	.341	.069	.013	-.515

APPENDIX A -- PRESSURE DATA:

MAIN PLACE HOTEL -- CONF. A -- DALLAS , TEXAS

WD	TAP	CPMEAN	CPRMS	CPMAX	CPMIN	WD	TAP	CPMEAN	CPRMS	CPMAX	CPMIN	WD	TAP	CPMEAN	CPRMS	CPMAX	CPMIN
240	155	.256	.090	.025	.738	240	205	.223	.130	.090	-1.014	240	339	.371	.093	.110	.757
240	156	.273	.111	.011	.926	240	206	.176	.077	.153	-.524	240	340	.466	.130	.135	.218
240	157	.290	.126	.013	.933	240	207	.217	.074	.144	-.492	240	341	.230	.083	.029	.564
240	158	.477	.244	.049	.233	240	208	.281	.096	.032	-.670	240	342	.185	.080	.129	.539
240	159	.366	.115	.038	.819	240	209	.246	.089	.011	-.596	240	343	.217	.087	.100	.550
240	160	.347	.105	.046	.834	240	210	.241	.087	.049	-.661	240	344	.221	.086	.056	.564
240	161	.347	.104	.072	.806	240	211	.281	.121	.102	-.887	240	345	.280	.098	.034	.689
240	162	.348	.102	.079	.866	240	212	.239	.083	.032	-.684	240	346	.325	.107	.074	.661
240	163	.359	.114	.052	.999	240	213	.262	.098	.040	-.828	240	347	.477	.128	.112	.972
240	164	.334	.094	.062	.779	240	214	.248	.099	.002	-.782	240	348	.513	.143	.102	.984
240	165	.328	.091	.078	.779	240	215	.242	.102	.025	-.776	240	349	.482	.128	.154	.954
240	166	.331	.094	.092	.779	240	216	.257	.131	.052	-.046	240	350	.435	.129	.125	.911
240	167	.319	.091	.043	.766	240	301	.326	.138	.076	-.032	240	351	.209	.090	.062	.610
240	168	.317	.087	.039	.799	240	302	.333	.122	.031	-.066	240	352	.210	.078	.010	.549
240	169	.268	.080	.057	.829	240	303	.333	.118	.081	-.970	240	353	.228	.086	.002	.608
240	170	.311	.083	.031	.825	240	304	.334	.113	.066	-.967	240	354	.208	.095	.062	.621
240	171	.302	.076	.072	.588	240	305	.356	.114	.020	-.951	240	355	.248	.101	.033	.557
240	172	.311	.082	.066	.582	240	306	.360	.097	.083	-.794	240	356	.261	.080	.087	.540
240	173	.321	.090	.063	.884	240	307	.328	.091	.083	-.841	240	357	.294	.117	.034	.799
240	174	.333	.097	.079	.806	240	308	.308	.079	.103	-.993	240	358	.376	.144	.053	.994
240	175	.335	.097	.086	.806	240	309	.291	.075	.083	-.658	240	359	.479	.190	.072	.199
240	176	.336	.103	.068	.779	240	310	.264	.070	.057	-.573	240	360	.717	.221	.191	.902
240	177	.339	.127	.186	.138	240	311	.340	.115	.022	-.890	240	361	.183	.084	.096	.517
240	178	.283	.088	.036	.733	240	312	.308	.097	.085	-.811	240	362	.171	.086	.091	.565
240	179	.259	.082	.000	.666	240	313	.317	.093	.025	-.794	240	363	.202	.092	.087	.585
240	180	.247	.080	.007	.620	240	314	.329	.093	.038	-.661	240	364	.184	.090	.244	.520
240	181	.239	.094	.034	.866	240	315	.334	.093	.080	-.755	240	365	.183	.093	.189	.542
240	182	.227	.104	.009	.806	240	316	.327	.089	.065	-.733	240	366	.117	.089	.405	.422
240	183	.219	.106	.016	.900	240	317	.322	.082	.066	-.625	240	367	.119	.079	.222	.395
240	184	.335	.090	.084	.779	240	318	.282	.075	.069	-.597	240	368	.337	.114	.002	.031
240	185	.328	.087	.083	.779	240	319	.297	.075	.067	-.605	240	369	.151	.086	.132	.544
240	186	.322	.086	.108	.779	240	320	.281	.073	.053	-.583	240	370	.140	.068	.129	.438
240	187	.306	.091	.068	.668	240	321	.332	.107	.054	-.932	240	371	.134	.065	.212	.362
240	188	.298	.087	.091	.679	240	322	.299	.090	.014	-.740	240	372	.088	.066	.240	.305
240	189	.328	.098	.043	.779	240	323	.333	.091	.047	-.730	240	373	.052	.067	.299	.253
240	190	.355	.097	.072	.779	240	324	.333	.090	.063	-.743	240	374	.009	.080	.379	.285
240	191	.311	.091	.068	.800	240	325	.350	.092	.113	-.807	240	375	.019	.077	.266	.255
240	192	.297	.095	.078	.800	240	326	.317	.086	.074	-.714	240	401	.182	.108	.533	.213
240	193	.296	.095	.002	.779	240	327	.340	.085	.095	-.657	240	402	.327	.133	.789	.108
240	194	.254	.133	.130	.899	240	328	.323	.079	.109	-.620	240	403	.327	.134	.712	.077
240	195	.394	.123	.057	.993	240	329	.266	.078	.118	-.618	240	404	.349	.143	.800	.107
240	196	.332	.141	.062	.053	240	330	.292	.077	.050	-.635	240	405	.382	.145	.871	.087
240	197	.383	.138	.072	.177	240	331	.280	.089	.020	-.715	240	406	.431	.152	.912	.027
240	198	.365	.127	.054	.099	240	332	.297	.093	.005	-.651	240	407	.460	.158	.929	.009
240	199	.348	.137	.034	.040	240	333	.326	.100	.007	-.758	240	408	.450	.160	.876	.009
240	200	.240	.074	.059	.552	240	334	.311	.103	.062	-.721	240	409	.493	.159	.949	.062
240	201	.228	.089	.002	.666	240	335	.355	.109	.067	-.815	240	410	.165	.092	.453	.165
240	202	.233	.085	.065	.633	240	336	.370	.103	.094	-.772	240	411	.354	.119	.733	.063
240	203	.217	.096	.111	.800	240	337	.374	.097	.088	-.767	240	412	.461	.134	.898	.045
240	204	.231	.124	.116	.900	240	338	.348	.092	.105	-.709	240	413	.477	.151	.930	.014

APPENDIX A -- PRESSURE DATA:

MAIN PLACE HOTEL -- CONF. A -- DALLAS , TEXAS

WD	TAP	CPMEAN	CPRMS	CPMAX	CPMIN	WD	TAP	CPMEAN	CPRMS	CPMAX	CPMIN	WD	TAP	CPMEAN	CPRMS	CPMAX	CPMIN
240	414	.528	.153	.985	.009	240	506	.181	.093	.506	.104	240	601	.005	.111	.341	.861
240	415	.559	.161	.019	.031	240	507	.377	.126	.129	.188	240	602	.189	.158	.139	.031
240	416	.581	.168	.076	.014	240	508	.322	.113	.092	.881	240	603	.325	.200	.105	.301
240	417	.587	.164	.028	.081	240	509	.324	.095	.101	.751	240	604	.419	.196	.009	.447
240	418	.533	.156	.034	.066	240	510	.319	.086	.090	.648	240	605	.444	.148	.025	.164
240	419	.087	.091	.357	.206	240	511	.337	.102	.067	.839	240	606	.017	.055	.132	.315
240	420	.294	.119	.636	.050	240	512	.320	.103	.019	.845	240	607	.023	.045	.103	.300
240	421	.423	.133	.861	.055	240	513	.326	.087	.042	.777	240	608	.044	.057	.161	.293
240	422	.500	.142	.959	.139	240	514	.322	.081	.031	.701	240	609	.099	.092	.188	.493
240	423	.530	.152	.962	.150	240	515	.325	.081	.057	.629	240	610	.223	.123	.144	.730
240	424	.547	.160	.004	.135	240	516	.297	.089	.052	.841	240	611	.029	.042	.123	.204
240	425	.556	.153	.023	.088	240	517	.291	.087	.005	.826	240	612	.014	.041	.166	.148
240	426	.542	.153	.980	.059	240	518	.291	.089	.021	.682	240	613	.023	.044	.158	.183
240	427	.444	.153	.892	.019	240	519	.310	.096	.029	.724	240	614	.082	.052	.109	.278
240	428	.036	.090	.425	.056	240	520	.250	.070	.002	.663	240	615	.042	.042	.165	.204
240	429	.236	.108	.636	.038	240	521	.256	.071	.009	.699	240	616	.090	.080	.162	.522
240	430	.380	.125	.822	.076	240	522	.220	.070	.019	.606	240	617	.069	.096	.147	.786
240	431	.433	.138	.897	.087	240	523	.233	.066	.016	.434	240	618	.088	.099	.164	.682
240	432	.457	.147	.981	.095	240	524	.228	.066	.016	.472	240	619	.086	.106	.204	.447
240	433	.487	.155	.042	.081	240	525	.460	.139	.125	.154	240	620	.058	.085	.132	.500
240	434	.484	.155	.041	.059	240	526	.514	.129	.137	.137	240	621	.035	.095	.181	.628
240	435	.433	.155	.002	.042	240	527	.499	.131	.116	.154	240	622	.025	.093	.223	.486
240	436	.317	.132	.917	.133	240	528	.326	.147	.213	.196	240	623	.053	.091	.297	.421
240	437	.018	.089	.337	.390	240	529	.338	.146	.087	.216	240	624	.096	.110	.447	.584
240	438	.200	.100	.531	.104	240	530	.328	.141	.101	.027	240	625	.024	.046	.199	.222
240	439	.320	.121	.749	.052	240	531	.333	.130	.075	.865	240	626	.028	.041	.103	.185
240	440	.369	.134	.836	.066	240	532	.339	.125	.046	.893	240	627	.014	.043	.151	.190
240	441	.391	.138	.899	.067	240	533	.353	.134	.030	.054	240	628	.003	.036	.250	.127
240	442	.396	.135	.959	.078	240	534	.321	.139	.057	.260	240	629	.012	.037	.190	.110
240	443	.359	.132	.981	.033	240	535	.421	.132	.211	.863	240	630	.005	.036	.132	.137
240	444	.291	.129	.931	.090	240	536	.333	.104	.030	.772	240	631	.011	.037	.153	.162
240	445	.169	.135	.779	.251	240	537	.334	.143	.057	.958	240	632	.019	.047	.211	.195
240	446	.088	.081	.423	.142	240	538	.340	.153	.121	.137	240	633	.061	.069	.408	.197
240	447	.243	.102	.620	.012	240	539	.346	.129	.061	.877	240	634	.016	.040	.167	.144
240	448	.353	.126	.833	.057	240	540	.346	.127	.023	.923	240	635	.038	.040	.172	.119
240	449	.394	.123	.894	.007	240	541	.500	.132	.155	.168	240	636	.079	.045	.307	.030
240	450	.430	.124	.947	.111	240	542	.504	.137	.023	.105	240	637	.092	.053	.312	.032
240	451	.434	.128	.948	.117	240	543	.411	.147	.272	.042	240	638	.092	.057	.372	.039
240	452	.436	.130	.917	.119	240	544	.324	.101	.027	.822	240	639	.077	.055	.350	.123
240	453	.428	.139	.021	.065	240	545	.342	.128	.087	.090	240	640	.026	.052	.211	.211
240	454	.433	.136	.961	.078	240	546	.358	.145	.121	.025	240	641	.036	.054	.167	.298
240	455	.406	.135	.941	.061	240	547	.355	.130	.039	.858	240	642	.300	.115	.000	.933
240	456	.374	.131	.879	.036	240	548	.355	.114	.027	.745	240	643	.220	.119	.005	.906
240	457	.314	.121	.743	.000	240	549	.453	.139	.030	.020	240	644	.389	.203	.038	.575
240	458	.234	.109	.628	.085	240	550	.377	.110	.009	.978	240	645	.601	.325	.002	.830
240	501	.383	.128	.059	.084	240	551	.370	.120	.043	.970	240	646	.370	.242	.143	.545
240	502	.223	.112	.672	.138	240	552	.355	.101	.099	.838	240	647	.255	.112	.109	.808
240	503	.383	.131	.949	.072	240	553	.370	.099	.137	.853	240	648	.213	.103	.081	.924
240	504	.247	.108	.633	.099	240	554	.463	.091	.151	.844	240	649	.134	.093	.167	.738
240	505	.279	.103	.765	.000	240	555	.463	.117	.084	.986	240	650	.056	.074	.163	.425

APPENDIX A -- PRESSURE DATA:

MAIN PLACE HOTEL -- CONF. A -- DALLAS, TEXAS

WD	TAP	CPMEAN	CPRMS	CPMAX	CPMIN	WD	TAP	CPMEAN	CPRMS	CPMAX	CPMIN	WD	TAP	CPMEAN	CPRMS	CPMAX	CPMIN
240	651	.110	.101	.109	-.860	240	747	.076	.046	.162	-.027	240	49	.293	.076	-.045	-.758
240	652	.044	.090	.627	-.210	240	748	.211	.033	.113	-.316	240	50	.318	.076	-.088	-.829
240	653	.012	.061	.316	-.171	240	1	.285	.067	-.092	-.843	240	51	.279	.071	-.035	-.724
240	654	.007	.046	.206	-.201	240	2	.326	.074	-.098	-.873	240	52	.295	.075	-.028	-.744
240	655	.019	.051	.100	-.358	240	3	.260	.067	-.049	-.634	240	53	.280	.073	-.000	-.570
240	701	.348	.116	.054	-.899	240	4	.286	.067	-.070	-.608	240	54	.303	.077	-.027	-.601
240	702	.331	.107	.070	-.065	240	5	.278	.069	-.031	-.575	240	55	.264	.074	-.007	-.599
240	703	.286	.084	.074	-.756	240	6	.313	.072	-.073	-.638	240	56	.282	.083	-.028	-.848
240	704	.263	.085	.027	-.756	240	7	.278	.071	-.056	-.585	240	57	.346	.087	-.021	-.718
240	705	.312	.126	.016	-.174	240	8	.301	.074	-.049	-.582	240	58	.309	.104	-.093	-.927
240	706	.350	.129	.061	-.011	240	9	.297	.082	-.078	-.711	240	59	.309	.110	-.012	-.078
240	707	.288	.103	.042	-.738	240	10	.326	.088	-.088	-.748	240	60	.266	.066	-.026	-.521
240	708	.260	.106	.014	-.754	240	11	.287	.085	-.058	-.722	240	61	.328	.069	-.078	-.641
240	709	.354	.133	.063	-.910	240	12	.306	.088	-.066	-.749	240	62	.320	.076	-.117	-.689
240	710	.301	.112	.018	-.832	240	13	.289	.088	-.028	-.852	240	63	.260	.064	-.053	-.564
240	711	.266	.105	.004	-.809	240	14	.317	.092	-.029	-.887	240	64	.260	.058	-.066	-.477
240	712	.327	.107	.016	-.899	240	15	.278	.088	-.002	-.828	240	65	.249	.058	-.033	-.436
240	713	.222	.108	.000	-.895	240	16	.298	.093	-.028	-.960	240	66	.276	.053	-.061	-.457
240	715	.225	.090	.025	-.619	240	17	.284	.097	-.009	-.775	240	67	.253	.045	-.005	-.419
240	716	.238	.111	.131	-.679	240	18	.314	.103	-.002	-.819	240	68	.236	.045	-.077	-.406
240	717	.120	.100	.257	-.620	240	19	.282	.103	-.056	-.826	240	69	.249	.050	-.040	-.433
240	718	.196	.071	.007	-.571	240	20	.342	.114	-.035	-.035	240	70	.276	.051	-.066	-.455
240	719	.234	.105	.092	-.693	240	21	.344	.129	-.057	-.396	240	71	.238	.044	-.019	-.409
240	720	.079	.065	.177	-.328	240	22	.283	.064	-.042	-.559	240	72	.258	.044	-.068	-.434
240	721	.181	.064	.043	-.412	240	23	.274	.063	-.082	-.530	240	73	.248	.051	-.052	-.391
240	722	.194	.099	.248	-.501	240	24	.310	.066	-.112	-.611	240	74	.279	.053	-.071	-.435
240	723	.055	.073	.291	-.342	240	25	.280	.068	-.104	-.613	240	75	.243	.053	-.021	-.488
240	724	.131	.060	.070	-.340	240	26	.302	.070	-.110	-.688	240	76	.274	.064	-.042	-.606
240	725	.174	.079	.205	-.568	240	27	.300	.080	-.092	-.777	240	77	.238	.066	-.061	-.493
240	726	.146	.097	.250	-.476	240	28	.327	.082	-.098	-.809	240	78	.252	.068	-.034	-.603
240	727	.133	.098	.275	-.485	240	29	.287	.079	-.051	-.763	240	79	.267	.077	-.002	-.859
240	728	.083	.073	.290	-.356	240	30	.257	.065	-.092	-.646	240	80	.253	.057	-.015	-.868
240	729	.135	.059	.092	-.481	240	31	.293	.077	-.052	-.650	240	81	.244	.056	-.002	-.668
240	730	.150	.064	.111	-.434	240	32	.318	.079	-.049	-.689	240	82	.246	.053	-.021	-.607
240	731	.241	.073	.038	-.688	240	33	.278	.077	-.014	-.650	240	83	.251	.053	-.046	-.617
240	732	.252	.086	.036	-.659	240	34	.294	.077	-.012	-.744	240	84	.260	.057	-.038	-.556
240	733	.200	.062	.005	-.433	240	35	.281	.081	-.082	-.723	240	85	.249	.060	-.051	-.729
240	734	.257	.084	.038	-.642	240	36	.306	.088	-.054	-.829	240	86	.246	.050	-.076	-.451
240	735	.242	.080	.009	-.663	240	37	.273	.088	-.072	-.828	240	87	.243	.044	-.065	-.411
240	736	.190	.063	.020	-.411	240	38	.300	.096	-.035	-.920	240	88	.248	.044	-.011	-.424
240	737	.237	.079	.029	-.572	240	39	.302	.063	-.064	-.628	240	89	.226	.046	-.013	-.398
240	738	.247	.079	.032	-.595	240	40	.282	.067	-.032	-.629	240	90	.241	.045	-.052	-.401
240	739	.191	.068	.018	-.456	240	41	.265	.064	-.040	-.596	240	91	.244	.044	-.057	-.400
240	740	.207	.071	.022	-.503	240	42	.297	.066	-.081	-.631	240	92	.244	.044	-.064	-.407
240	741	.233	.080	.034	-.564	240	43	.266	.065	-.051	-.638	240	93	.224	.044	-.051	-.394
240	742	.218	.069	.052	-.457	240	44	.296	.073	-.063	-.751	240	94	.240	.045	-.063	-.416
240	743	.286	.074	.005	-.543	240	45	.302	.080	-.085	-.980	240	95	.248	.045	-.074	-.421
240	744	.227	.076	.041	-.544	240	46	.239	.079	-.034	-.985	240	96	.256	.046	-.112	-.450
240	745	.230	.085	.045	-.950	240	47	.293	.081	-.028	-.812	240	97	.240	.044	-.105	-.409
240	746	.261	.110	.050	-.094	240	48	.310	.081	-.045	-.824	240	98	.260	.046	-.109	-.464

APPENDIX A -- PRESSURE DATA:

MAIN PLACE HOTEL -- CONF. A -- DALLAS , TEXAS

WD	TAP	CPMEAN	CPRMS	CPMAX	CPMIN	WD	TAP	CPMEAN	CPRMS	CPMAX	CPMIN	WD	TAP	CPMEAN	CPRMS	CPMAX	CPMIN
2555	99	273	.048	124	312	2555	149	263	.048	124	444	2555	199	292	.077	073	743
2555	100	259	.052	074	471	2555	150	285	.050	136	470	2555	200	263	.055	084	514
2555	101	238	.054	004	404	2555	151	298	.053	137	501	2555	201	262	.065	076	552
2555	102	256	.060	071	432	2555	152	266	.051	089	454	2555	202	258	.071	040	680
2555	103	270	.065	036	510	2555	153	247	.055	042	455	2555	203	252	.085	116	668
2555	104	309	.084	008	800	2555	154	249	.061	007	507	2555	204	284	.113	034	994
2555	105	289	.086	002	800	2555	155	252	.080	024	736	2555	205	256	.100	019	703
2555	106	264	.063	040	863	2555	156	298	.117	043	060	2555	206	147	.082	249	523
2555	107	277	.066	048	863	2555	157	266	.095	019	743	2555	207	210	.077	203	507
2555	108	272	.060	057	602	2555	158	347	.134	069	729	2555	208	305	.078	014	659
2555	109	352	.057	059	444	2555	159	292	.078	090	611	2555	209	276	.075	028	623
2555	110	273	.056	092	553	2555	160	283	.066	109	574	2555	210	260	.076	045	628
2555	111	287	.059	114	615	2555	161	273	.062	106	519	2555	211	267	.097	030	786
2555	112	266	.051	064	467	2555	162	276	.059	114	545	2555	212	273	.063	101	642
2555	113	237	.048	004	388	2555	163	274	.056	087	479	2555	213	282	.069	104	677
2555	114	350	.049	000	401	2555	164	274	.051	104	442	2555	214	278	.079	057	793
2555	115	344	.048	040	404	2555	165	260	.048	090	408	2555	215	280	.089	026	712
2555	116	353	.047	091	414	2555	166	259	.046	090	431	2555	216	313	.115	041	922
2555	117	354	.046	088	385	2555	167	254	.048	083	441	2555	301	279	.118	106	783
2555	118	350	.045	111	405	2555	168	263	.048	097	447	2555	302	306	.138	147	905
2555	119	354	.045	118	404	2555	169	226	.047	063	402	2555	303	316	.131	083	946
2555	120	333	.047	089	439	2555	170	257	.047	092	429	2555	304	348	.137	121	004
2555	121	358	.045	084	442	2555	171	248	.047	047	410	2555	305	411	.140	033	979
2555	122	358	.045	099	481	2555	172	256	.050	039	434	2555	306	476	.126	028	928
2555	123	275	.046	088	569	2555	173	255	.049	033	467	2555	307	500	.124	134	967
2555	124	265	.045	110	452	2555	174	262	.050	052	533	2555	308	519	.109	171	912
2555	125	265	.048	124	474	2555	175	263	.049	057	446	2555	309	498	.104	144	825
2555	126	252	.051	057	510	2555	176	275	.050	113	456	2555	310	446	.097	166	970
2555	127	352	.056	032	514	2555	177	271	.052	099	531	2555	311	266	.103	013	810
2555	128	270	.061	040	494	2555	178	272	.054	050	509	2555	312	264	.107	048	793
2555	129	258	.068	017	516	2555	179	256	.061	026	536	2555	313	299	.116	064	871
2555	130	299	.081	088	672	2555	180	255	.067	005	652	2555	314	286	.115	227	808
2555	131	344	.079	065	661	2555	181	254	.081	019	766	2555	315	393	.120	216	877
2555	132	343	.066	091	865	2555	182	293	.127	017	066	2555	316	441	.122	046	941
2555	133	293	.072	065	779	2555	183	271	.109	005	856	2555	317	497	.117	049	074
2555	134	279	.060	080	640	2555	184	283	.058	109	577	2555	318	439	.100	166	998
2555	135	287	.059	078	640	2555	185	281	.056	118	521	2555	319	469	.097	196	947
2555	136	289	.055	074	499	2555	186	285	.055	130	583	2555	320	441	.093	159	887
2555	137	277	.055	082	487	2555	187	271	.060	080	592	2555	321	260	.099	027	630
2555	138	276	.048	101	435	2555	188	270	.058	087	558	2555	322	272	.117	058	665
2555	139	276	.048	103	449	2555	189	268	.059	057	674	2555	323	331	.130	076	792
2555	140	269	.049	093	431	2555	190	270	.060	083	777	2555	324	337	.133	120	799
2555	141	247	.048	057	417	2555	191	287	.052	130	479	2555	325	404	.138	013	953
2555	142	266	.048	076	451	2555	192	297	.055	113	531	2555	326	444	.140	117	063
2555	143	270	.046	074	449	2555	193	289	.057	042	505	2555	327	514	.137	040	037
2555	144	277	.049	100	420	2555	194	319	.113	121	793	2555	328	495	.120	164	120
2555	145	255	.048	091	392	2555	195	310	.075	086	665	2555	329	495	.116	177	280
2555	146	273	.048	107	411	2555	196	309	.076	116	695	2555	330	441	.116	138	045
2555	147	282	.048	126	423	2555	197	300	.074	099	724	2555	331	247	.085	002	621
2555	148	287	.049	140	460	2555	198	299	.074	099	701	2555	332	234	.111	063	705

APPENDIX A -- PRESSURE DATA:

MAIN PLACE HOTEL -- CONF. A -- DALLAS , TEXAS

WD	TAP	CPMEAN	CPRMS	CPMAX	CPMIN	WD	TAP	CPMEAN	CPRMS	CPMAX	CPMIN	WD	TAP	CPMEAN	CPRMS	CPMAX	CPMIN
2555	333	.264	.127	.060	-.789	2555	408	.381	.140	.804	-.067	2555	458	.265	.114	.696	-.071
2555	3334	.256	.138	.073	-.825	2555	409	.376	.139	.830	-.045	2555	501	.428	.139	1.046	-.062
2555	3335	.366	.166	.074	-1.070	2555	410	.247	.118	.609	-.129	2555	502	.146	.122	.629	-.298
2555	3336	.429	.169	.044	-1.070	2555	411	.450	.146	.834	.053	2555	503	.446	.163	1.222	-.063
2555	3337	.489	.160	.077	-1.103	2555	412	.529	.156	.959	.119	2555	504	.173	.105	.602	-.252
2555	3338	.507	.162	.000	-1.462	2555	413	.508	.154	.985	.086	2555	505	.356	.134	.958	-.067
2555	3339	.537	.151	-.128	-1.388	2555	414	.532	.154	1.033	.123	2555	506	.128	.091	.560	-.293
2555	340	.636	.214	-.029	-1.914	2555	415	.538	.156	1.022	.098	2555	507	.286	.049	.135	-.478
2555	341	.219	.066	.007	-.544	2555	416	.525	.156	1.006	.056	2555	508	.249	.049	.085	-.442
2555	342	.137	.060	.125	-.417	2555	417	.507	.159	1.039	.032	2555	509	.238	.049	.104	-.434
2555	343	.146	.070	.175	-.481	2555	418	.410	.138	.870	.000	2555	510	.269	.050	.119	-.441
2555	344	.122	.073	.179	-.424	2555	419	.158	.115	.592	-.160	2555	511	.282	.051	.135	-.480
2555	345	.139	.101	.228	-.539	2555	420	.382	.142	.831	.031	2555	512	.244	.050	.094	-.437
2555	346	.169	.136	.266	-.682	2555	421	.510	.140	1.148	.158	2555	513	.267	.052	.125	-.450
2555	347	.378	.219	.187	-1.034	2555	422	.561	.142	1.160	.207	2555	514	.257	.050	.104	-.444
2555	348	.598	.238	.109	-1.498	2555	423	.571	.146	1.115	.193	2555	515	.223	.050	.104	-.444
2555	349	.609	.204	.064	-1.660	2555	424	.561	.148	1.019	.175	2555	516	.223	.058	.051	-.520
2555	350	.543	.186	.097	-1.436	2555	425	.496	.159	1.008	.054	2555	517	.229	.054	.040	-.432
2555	351	.229	.071	.009	-.492	2555	426	.445	.150	.950	.029	2555	518	.244	.055	.025	-.455
2555	352	.199	.059	.024	-.454	2555	427	.321	.136	.796	.086	2555	519	.247	.058	.056	-.458
2555	353	.200	.063	.002	-.497	2555	428	.082	.120	.544	.320	2555	520	.206	.047	.049	-.379
2555	354	.161	.060	.017	-.449	2555	429	.326	.136	.805	.025	2555	521	.210	.049	.033	-.375
2555	355	.175	.066	.031	-.475	2555	430	.447	.142	.941	.083	2555	522	.220	.051	.038	-.370
2555	356	.146	.054	.017	-.354	2555	431	.483	.149	1.004	.086	2555	523	.228	.051	.007	-.362
2555	357	.152	.092	.141	-.517	2555	432	.490	.153	.985	.090	2555	524	.202	.052	.007	-.354
2555	358	.228	.163	.136	-.810	2555	433	.488	.156	1.028	.117	2555	525	.313	.083	.099	-.781
2555	359	.366	.198	.200	-1.169	2555	434	.462	.148	.999	.094	2555	526	.619	.152	.191	-1.193
2555	360	.615	.264	.046	-1.863	2555	435	.391	.139	.889	.007	2555	527	.461	.139	.024	-.989
2555	361	.202	.075	.007	-.562	2555	436	.255	.120	.667	.096	2555	528	.254	.123	.305	-.780
2555	362	.166	.069	.088	-.415	2555	437	.033	.119	.543	.271	2555	529	.315	.123	.055	-1.039
2555	363	.189	.072	.063	-.452	2555	438	.241	.120	.667	.031	2555	530	.301	.123	.039	-1.075
2555	364	.164	.070	.103	-.419	2555	439	.343	.129	.763	.067	2555	531	.271	.097	.065	-.642
2555	365	.153	.074	.159	-.411	2555	440	.379	.138	.873	.081	2555	532	.304	.102	.034	-.850
2555	366	.095	.073	.177	-.428	2555	441	.383	.144	.947	.052	2555	533	.532	.168	.193	-1.104
2555	367	.082	.076	.252	-.367	2555	442	.388	.145	.892	.051	2555	534	.587	.134	.184	-1.126
2555	368	.256	.107	.026	-.701	2555	443	.353	.145	.874	.011	2555	535	.515	.130	.127	-.989
2555	369	.194	.070	.000	-.555	2555	444	.283	.139	.708	.065	2555	536	.442	.107	.088	-1.002
2555	370	.185	.058	.028	-.454	2555	445	.151	.125	.564	.194	2555	537	.376	.136	.048	-.955
2555	371	.174	.057	.103	-.394	2555	446	.137	.094	.502	.083	2555	538	.313	.121	.063	-1.039
2555	372	.126	.057	.212	-.319	2555	447	.279	.110	.694	.040	2555	539	.297	.108	.029	-.791
2555	373	.080	.058	.316	-.270	2555	448	.367	.128	.880	.060	2555	540	.317	.116	.005	-.865
2555	374	.028	.062	.266	-.218	2555	449	.392	.128	.918	.083	2555	541	.472	.207	.386	-1.133
2555	375	.032	.058	.328	-.196	2555	450	.422	.130	.926	.107	2555	542	.607	.158	.138	-1.155
2555	401	.236	.123	.723	-.223	2555	451	.427	.135	.909	.069	2555	543	.536	.135	.115	-.944
2555	402	.360	.140	.922	-.130	2555	452	.425	.138	.923	.085	2555	544	.483	.107	.171	-.826
2555	403	.365	.134	.818	-.043	2555	453	.439	.147	.915	.083	2555	545	.489	.136	.080	-.991
2555	404	.360	.137	.801	-.013	2555	454	.443	.145	.906	.078	2555	546	.454	.176	.063	-1.360
2555	405	.372	.136	.801	-.017	2555	455	.422	.145	.882	.055	2555	547	.368	.116	.007	-.975
2555	406	.391	.141	.860	-.051	2555	456	.391	.141	.842	.043	2555	548	.419	.110	.015	-.846
2555	407	.420	.146	.820	-.040	2555	457	.339	.127	.816	.018	2555	549	.438	.138	.007	-1.018

APPENDIX A -- PRESSURE DATA:

MAIN PLACE HOTEL -- CONF. A -- DALLAS, TEXAS

WD	TAP	CPMEAN	CPRMS	CPMAX	CPMIN	WD	TAP	CPMEAN	CPRMS	CPMAX	CPMIN	WD	TAP	CPMEAN	CPRMS	CPMAX	CPMIN
2555	645	109	165	207	361	2555	741	261	065	034	548						
2555	646	084	131	270	826	2555	742	257	061	027	494						
2555	647	102	110	233	652	2555	743	233	065	044	541						
2555	648	066	096	275	443	2555	744	265	064	100	584						
2555	649	017	078	205	365	2555	745	254	070	075	640						
2555	650	014	065	208	321	2555	746	271	084	046	803						
6001	651	010	080	206	638	2555	747	169	055	275	058						
6002	652	046	064	402	219	2555	748	234	025	144	319						
6003	653	061	044	358	107	270	1	292	037	061	532						
6004	654	073	051	302	104	270	2	328	058	078	604						
6005	655	052	056	281	327	270	3	275	054	067	513						
6006	701	275	065	092	720	270	4	300	055	096	512						
6007	702	263	058	097	538	270	5	308	057	109	610						
6008	703	253	047	075	565	270	6	336	059	110	658						
6009	704	244	060	065	456	270	7	297	057	099	548						
6110	705	294	088	097	664	270	8	320	058	117	570						
6111	706	269	067	093	711	270	9	306	058	061	544						
6112	707	259	060	056	596	270	10	333	060	100	585						
6113	708	257	065	044	601	270	11	291	059	049	548						
6114	709	279	066	063	672	270	12	313	059	035	573						
6115	710	274	066	078	604	270	13	300	060	000	574						
6116	711	273	072	084	751	270	14	326	062	061	607						
6117	712	255	072	024	652	270	15	284	060	092	557						
6118	713	277	066	085	550	270	16	303	062	096	587						
6119	715	238	066	012	695	270	17	311	066	109	617						
6200	716	240	083	061	677	270	18	342	070	110	685						
6201	717	183	083	144	830	270	19	305	069	076	569						
6202	718	216	060	019	485	270	20	337	073	127	620						
6203	719	246	094	106	833	270	21	301	067	090	617						
6204	720	116	068	192	393	270	22	294	054	103	498						
6205	721	206	058	002	433	270	23	296	058	102	617						
6206	722	193	102	302	533	270	24	326	059	090	611						
6207	723	097	072	227	323	270	25	289	058	042	559						
6208	724	157	063	073	373	270	26	310	058	103	530						
6209	725	190	076	141	450	270	27	300	056	099	506						
6300	726	152	094	353	504	270	28	229	057	115	565						
6301	727	134	110	514	463	270	29	289	054	067	532						
6302	728	125	077	337	381	270	30	280	052	114	463						
6303	729	174	060	066	399	270	31	301	055	076	508						
6304	730	183	065	068	422	270	32	332	056	071	587						
6305	731	248	059	039	516	270	33	293	054	053	495						
6306	732	266	061	075	553	270	34	310	054	101	474						
6307	733	228	053	044	451	270	35	307	058	106	674						
6308	734	281	064	078	589	270	36	337	061	120	695						
6309	735	271	062	034	604	270	37	299	061	106	606						
6400	736	228	060	024	439	270	38	321	064	108	636						
6401	737	266	063	075	546	270	39	312	056	132	509						
6402	738	283	069	037	574	270	40	285	055	099	515						
6403	739	231	064	022	475	270	41	287	051	064	485						
6404	740	239	061	075	485	270	42	319	052	098	509						

APPENDIX A -- PRESSURE DATA:

MAIN PLACE HOTEL -- CONF. A -- DALLAS , TEXAS

WD	TAP	CPMEAN	CPRMS	CPMAX	CPMIN	WD	TAP	CPMEAN	CPRMS	CPMAX	CPMIN	WD	TAP	CPMEAN	CPRMS	CPMAX	CPMIN
270	43	283	050	072	465	270	93	264	044	081	415	270	143	333	042	158	461
270	44	305	052	063	522	270	94	281	044	081	463	270	144	334	047	147	479
270	45	296	054	109	591	270	95	290	043	088	447	270	145	334	045	141	448
270	46	263	060	055	514	270	96	301	044	154	430	270	146	333	046	145	473
270	47	291	052	127	534	270	97	283	043	138	472	270	147	334	045	179	482
270	48	308	053	134	580	270	98	303	043	159	482	270	148	334	046	195	505
270	49	304	053	083	612	270	99	314	041	174	447	270	149	334	042	183	544
270	50	332	058	161	604	270	100	314	057	075	493	270	150	334	047	183	566
270	51	295	054	104	506	270	101	292	054	067	476	270	151	335	049	179	525
270	52	314	055	108	547	270	102	311	053	083	485	270	152	335	056	111	552
270	53	307	059	123	763	270	103	317	053	091	518	270	153	335	056	116	529
270	54	332	058	152	744	270	104	330	054	154	519	270	154	335	058	068	666
270	55	293	054	069	569	270	105	304	053	112	498	270	155	334	058	107	531
270	56	310	059	049	580	270	106	299	053	116	487	270	156	334	060	136	671
270	57	310	058	071	572	270	107	311	053	115	483	270	157	334	059	119	624
270	58	343	064	108	599	270	108	308	053	108	546	270	158	333	099	156	688
270	59	297	060	042	557	270	109	289	051	112	531	270	159	333	069	165	689
270	60	295	055	113	500	270	110	306	050	102	520	270	160	333	064	178	689
270	61	298	053	113	525	270	111	316	054	110	573	270	161	334	058	184	677
270	62	327	056	147	614	270	112	315	052	111	512	270	162	334	056	192	700
270	63	281	052	028	483	270	113	288	047	102	438	270	163	334	053	172	655
270	64	289	051	082	481	270	114	308	039	188	430	270	164	334	049	193	655
270	65	282	050	095	461	270	115	311	045	100	456	270	165	334	048	165	666
270	66	303	049	093	470	270	116	308	048	132	499	270	166	332	047	180	521
270	67	268	048	046	435	270	117	281	046	088	419	270	167	332	047	175	522
270	68	283	043	131	427	270	118	296	041	145	416	270	168	332	047	173	520
270	69	269	049	033	440	270	119	299	046	091	442	270	169	332	047	111	430
270	70	297	050	066	460	270	120	312	042	151	476	270	170	332	046	178	522
270	71	257	048	055	402	270	121	296	040	124	450	270	171	332	045	187	528
270	72	277	048	089	437	270	122	318	034	192	437	270	172	333	047	188	505
270	73	285	047	057	442	270	123	325	041	186	468	270	173	332	047	189	500
270	74	314	048	130	489	270	124	328	047	147	517	270	174	333	048	202	533
270	75	280	047	088	451	270	125	309	049	136	529	270	175	333	050	177	493
270	76	306	044	094	479	270	126	322	037	197	493	270	176	334	052	181	540
270	77	281	053	010	486	270	127	324	050	036	523	270	177	334	055	184	599
270	78	295	053	057	518	270	128	332	055	091	516	270	178	334	060	071	714
270	79	302	057	098	576	270	129	315	054	095	562	270	179	334	063	080	781
270	80	287	057	082	505	270	130	332	028	252	499	270	180	335	067	084	760
270	81	277	055	069	524	270	131	325	055	081	500	270	181	336	071	095	723
270	82	283	055	052	480	270	132	339	050	176	563	270	182	334	080	117	857
270	83	288	055	041	478	270	133	333	041	214	609	270	183	332	076	063	798
270	84	292	055	053	457	270	134	334	049	143	520	270	184	337	063	210	617
270	85	272	052	033	467	270	135	338	048	148	511	270	185	337	060	194	647
270	86	285	052	055	437	270	136	348	052	188	544	270	186	337	060	161	650
270	87	287	050	038	432	270	137	325	051	117	544	270	187	336	064	126	662
270	88	297	046	106	433	270	138	342	048	164	516	270	188	336	061	171	629
270	89	273	044	107	410	270	139	340	046	189	513	270	189	336	058	172	628
270	90	288	043	119	404	270	140	345	045	154	498	270	190	336	057	170	584
270	91	288	042	119	394	270	141	317	043	143	455	270	191	336	060	182	616
270	92	289	044	094	440	270	142	333	043	150	470	270	192	333	064	074	622

APPENDIX A -- PRESSURE DATA:

MAIN PLACE HOTEL -- CONF. A -- DALLAS, TEXAS

WD	TAP	CPMEAN	CPRMS	CPMAX	CPMIN	WD	TAP	CPMEAN	CPRMS	CPMAX	CPMIN	WD	TAP	CPMEAN	CPRMS	CPMAX	CPMIN
270	193	.3555	.067	.092	.623	270	327	.297	.229	.205	-1.154	270	402	.454	.157	.898	-.013
270	194	.462	.098	.185	.896	270	328	.475	.211	.239	-1.352	270	403	.405	.142	.947	-.025
270	195	.360	.066	.167	.629	270	329	.506	.162	.191	-1.434	270	404	.365	.137	.807	-.046
270	196	.393	.067	.198	.753	270	330	.446	.149	.275	-1.195	270	405	.357	.134	.839	-.074
270	197	.384	.068	.187	.732	270	331	.267	.051	.085	-.449	270	406	.349	.134	.943	-.064
270	198	.381	.068	.192	.718	270	332	.170	.051	.034	-.428	270	407	.327	.137	.823	-.050
270	199	.370	.067	.160	.670	270	333	.150	.054	.051	-.461	270	408	.251	.127	.749	-.122
270	200	.355	.069	.064	.698	270	334	.101	.066	.166	-.531	270	409	.189	.127	.591	-.250
270	201	.324	.073	-.028	.678	270	335	.104	.098	.181	-.707	270	410	.393	.144	.786	-.053
270	202	.334	.074	-.032	.704	270	336	.117	.156	.210	-.718	270	411	.521	.162	.970	-.046
270	203	.310	.074	-.066	.827	270	337	.225	.231	.206	-.945	270	412	.531	.166	1.022	-.055
270	204	.315	.077	-.111	.701	270	338	.392	.247	.340	-1.251	270	413	.543	1.1	.060	-.089
270	205	.283	.075	-.068	.626	270	339	.495	.221	.342	-1.697	270	414	.533	.150	.976	-.088
270	206	.262	.110	.226	.709	270	340	.383	.258	.373	-1.517	270	415	.501	.149	.920	-.066
270	207	.323	.074	.019	.595	270	341	.267	.053	.077	-.448	270	416	.450	.143	.875	-.040
270	208	.414	.075	-.198	.773	270	342	.161	.048	.015	-.338	270	417	.360	.141	.796	-.083
270	209	.381	.071	-.172	.708	270	343	.160	.051	.041	-.371	270	418	.236	.115	.601	-.095
270	210	.371	.072	-.090	.726	270	344	.121	.049	.059	-.337	270	419	.344	.142	.793	-.131
270	211	.364	.088	-.049	.760	270	345	.083	.058	.176	-.448	270	420	.514	.162	1.048	-.084
270	212	.348	.071	-.074	.666	270	346	.031	.086	.283	-.445	270	421	.549	.166	1.127	-.107
270	213	.350	.075	-.141	.735	270	347	.111	.185	.281	-.914	270	422	.552	.157	1.166	-.119
270	214	.334	.073	-.146	.699	270	348	.298	.261	.254	-1.159	270	423	.523	.151	1.141	-.092
270	215	.329	.077	-.068	.621	270	349	.429	.249	.242	-1.532	270	424	.473	.144	1.066	-.089
270	216	.339	.089	-.074	.733	270	350	.385	.204	.218	-1.585	270	425	.409	.134	.928	-.025
270	301	.220	.052	-.006	.525	270	351	.245	.056	.061	-.489	270	426	.318	.119	.790	-.042
270	302	.185	.053	-.024	.431	270	352	.181	.043	.040	-.369	270	427	.165	.100	.591	-.175
270	303	.152	.060	-.049	.454	270	353	.161	.050	.041	-.379	270	428	.294	.135	.851	-.078
270	304	.120	.068	-.220	.505	270	354	.121	.053	.023	-.351	270	429	.472	.146	.915	-.118
270	305	.119	.092	-.175	.698	270	355	.109	.057	.041	-.386	270	430	.533	.149	.991	-.194
270	306	.173	.126	-.093	.799	270	356	.061	.038	.032	-.187	270	431	.527	.150	.987	-.180
270	307	.287	.170	-.150	.949	270	357	.056	.085	.178	-.414	270	432	.494	.148	.949	-.153
270	308	.530	.204	-.166	.320	270	358	.072	.124	.235	-.504	270	433	.420	.142	.897	-.058
270	309	.576	.172	-.133	.479	270	359	.240	.202	.297	-1.066	270	434	.356	.131	.821	-.040
270	310	.531	.140	-.042	.155	270	360	.489	.297	.292	-1.411	270	435	.250	.119	.709	-.050
270	311	.234	.052	-.031	.458	270	361	.227	.061	.026	-.463	270	436	.093	.098	.468	-.193
270	312	.148	.054	-.059	.468	270	362	.146	.055	.040	-.351	270	437	.240	.112	.712	-.100
270	313	.136	.062	-.159	.581	270	363	.149	.056	.037	-.353	270	438	.383	.127	.782	-.026
270	314	.087	.073	-.187	.546	270	364	.113	.053	.053	-.312	270	439	.426	.138	.902	-.061
270	315	.114	.097	-.212	.611	270	365	.075	.056	.086	-.283	270	440	.419	.139	.940	-.095
270	316	.160	.149	-.187	.769	270	366	.005	.054	.225	-.244	270	441	.362	.124	.825	-.071
270	317	.303	.201	-.174	.020	270	367	.038	.069	.371	-.212	270	442	.333	.116	.799	-.042
270	318	.481	.178	-.244	.151	270	368	.127	.100	.161	-.574	270	443	.260	.108	.766	-.028
270	319	.536	.145	-.052	.160	270	369	.214	.063	.011	-.534	270	444	.154	.097	.616	-.082
270	320	.497	.130	-.125	.047	270	370	.215	.053	.046	-.403	270	445	.032	.087	.437	-.192
270	321	.250	.054	-.002	.489	270	371	.178	.048	.020	-.358	270	446	.264	.091	.662	-.018
270	322	.147	.056	-.048	.445	270	372	.117	.046	.068	-.305	270	447	.383	.116	.867	-.011
270	323	.151	.068	-.076	.499	270	373	.052	.047	.180	-.210	270	448	.449	.134	.964	-.080
270	324	.115	.080	-.136	.598	270	374	.012	.051	.244	-.157	270	449	.470	.131	.924	-.152
270	325	.115	.115	-.165	.831	270	375	.003	.049	.231	-.161	270	450	.483	.129	.918	-.159
270	326	.149	.171	-.231	.735	270	401	.401	.152	.886	-.011	270	451	.472	.130	.891	-.142

APPENDIX A -- PRESSURE DATA:

MAIN PLACE HOTEL -- CONF. A -- DALLAS, TEXAS

WD	TAP	CPMEAN	CPRMS	CPMAX	CPMIN	WD	TAP	CPMEAN	CPRMS	CPMAX	CPMIN	WD	TAP	CPMEAN	CPRMS	CPMAX	CPMIN
270	4532	.454	.130	.878	.098	270	544	.345	.111	.007	-.755	270	639	.056	.045	.264	-.097
270	4533	.413	.126	.888	.076	270	545	.210	.117	.225	-.669	270	640	.045	.045	.228	-.101
270	4534	.397	.121	.843	.060	270	546	.165	.106	.136	-.580	270	641	.018	.054	.180	-.514
270	4535	.357	.116	.790	.022	270	547	.286	.082	.007	-.701	270	642	.203	.187	.275	-1.306
270	4536	.313	.111	.734	.009	270	548	.365	.088	.089	-.735	270	643	.126	.169	.269	-.972
270	4445	.254	.114	.694	-.036	270	549	.475	.123	.021	-.877	270	644	.020	.140	.393	-.882
270	4448	.178	.108	.631	-.073	270	550	.411	.100	.128	-.832	270	645	.044	.115	.281	-.934
270	5501	.351	.118	.810	.042	270	551	.444	.103	.150	-.964	270	646	.122	.101	.459	-.488
270	5502	.180	.096	.572	-.151	270	552	.428	.106	.103	-.868	270	647	.055	.086	.301	-.313
270	5503	.448	.131	.000	.132	270	553	.549	.120	.216	-1.022	270	648	.082	.072	.306	-.297
270	5504	.249	.102	.654	-.137	270	554	.660	.151	.441	-1.441	270	649	.109	.058	.330	-.133
270	5505	.397	.116	.823	.105	270	555	.603	.138	.273	-1.263	270	650	.123	.058	.336	-.211
270	5506	.208	.104	.565	-.273	270	601	.505	.223	.062	-1.735	270	651	.131	.062	.359	-.070
270	5507	.337	.047	.194	-.533	270	602	.755	.291	.040	-2.146	270	652	.111	.056	.352	-.034
270	5508	.297	.048	.130	-.457	270	603	.610	.181	.197	-1.671	270	653	.135	.056	.349	-.041
270	5509	.306	.048	.142	-.462	270	604	.418	.121	.108	-.983	270	654	.149	.048	.356	-.026
270	5510	.325	.048	.115	-.479	270	605	.432	.089	.192	-.822	270	655	.141	.048	.337	-.000
270	5511	.329	.048	.181	-.484	270	606	.313	.120	.081	-.944	270	701	.336	.060	.171	-.624
270	5512	.292	.047	.157	-.444	270	607	.259	.142	.007	-.932	270	702	.333	.056	.160	-.582
270	5513	.310	.047	.131	-.471	270	608	.265	.123	.150	-.755	270	703	.329	.059	.082	-.569
270	5514	.319	.047	.171	-.479	270	609	.403	.123	.024	-.901	270	704	.329	.062	.104	-.535
270	5515	.326	.049	.167	-.518	270	610	.443	.097	.138	-.842	270	705	.349	.085	.055	-.855
270	5516	.271	.051	.093	-.466	270	611	.225	.097	.017	-.853	270	706	.346	.072	.172	-.699
270	5517	.281	.049	.083	-.451	270	612	.120	.082	.200	-.560	270	707	.330	.060	.168	-.723
270	5518	.288	.051	.082	-.536	270	613	.167	.082	.130	-.570	270	708	.333	.062	.145	-.586
270	5519	.280	.053	.036	-.457	270	614	.235	.081	.040	-.612	270	709	.336	.079	.145	-.752
270	5520	.254	.049	.011	-.402	270	615	.223	.093	.012	-.785	270	710	.336	.075	.163	-.801
270	5521	.259	.049	.002	-.433	270	616	.143	.099	.473	-.256	270	711	.338	.070	.091	-.812
270	5522	.271	.050	.047	-.428	270	617	.097	.097	.406	-.454	270	712	.332	.082	.089	-.812
270	5523	.249	.051	.068	-.426	270	618	.017	.090	.237	-.548	270	713	.340	.063	.149	-.608
270	5524	.259	.051	.084	-.445	270	619	.032	.096	.190	-.590	270	715	.318	.064	.113	-.541
270	5525	.325	.070	.076	-.595	270	620	.067	.091	.125	-.567	270	716	.308	.070	.024	-.559
270	5526	.565	.129	.209	-.075	270	621	.110	.111	.144	-.692	270	717	.301	.082	.055	-.656
270	5527	.248	.101	.103	-.602	270	622	.129	.105	.145	-.787	270	718	.308	.066	.121	-.541
270	5528	.286	.079	.014	-.555	270	623	.157	.104	.131	-.732	270	719	.330	.079	.046	-.687
270	5529	.328	.076	.009	-.676	270	624	.193	.113	.115	-.708	270	720	.329	.088	.043	-.540
270	5530	.325	.100	.031	-.022	270	625	.112	.070	.392	-.197	270	721	.323	.070	.024	-.567
270	5531	.307	.067	.087	-.590	270	626	.087	.053	.294	-.116	270	722	.325	.085	.034	-.614
270	5532	.339	.085	.062	-.728	270	627	.048	.042	.178	-.119	270	723	.227	.100	.214	-.625
270	5533	.579	.139	.145	-.005	270	628	.052	.037	.186	-.096	270	724	.237	.069	.000	-.530
270	5534	.574	.134	.119	-.041	270	629	.022	.040	.183	-.161	270	725	.323	.073	.068	-.588
270	5535	.517	.115	.127	-.898	270	630	.001	.041	.138	-.180	270	726	.310	.082	.002	-.689
270	5536	.364	.088	.036	-.690	270	631	.023	.044	.121	-.221	270	727	.301	.088	.132	-.680
270	5537	.187	.104	.194	-.552	270	632	.073	.042	.061	-.230	270	728	.259	.083	.108	-.624
270	5538	.334	.092	.064	-.889	270	633	.135	.049	.031	-.344	270	729	.280	.071	.063	-.675
270	5539	.306	.068	.085	-.588	270	634	.088	.067	.702	-.097	270	730	.280	.075	.029	-.567
270	5540	.350	.097	.014	-.851	270	635	.088	.050	.468	-.055	270	731	.234	.061	.049	-.585
270	5541	.599	.147	.039	-.069	270	636	.080	.036	.181	-.054	270	732	.234	.066	.106	-.735
270	5542	.565	.134	.150	-.158	270	637	.069	.044	.223	-.094	270	733	.299	.062	.010	-.559
270	5543	.505	.126	.252	-.002	270	638	.066	.046	.261	-.083	270	734	.355	.073	.005	-.858

APPENDIX A -- PRESSURE DATA:

MAIN PLACE HOTEL -- CONF. A -- DALLAS , TEXAS

WD	TAP	CPMEAN	CPRMS	CPMAX	CPMIN	WD	TAP	CPMEAN	CPRMS	CPMAX	CPMIN	WD	TAP	CPMEAN	CPRMS	CPMAX	CPMIN
227700	735	.346	.072	.082	.735	285	37	.402	.069	.208	.661	285	87	.355	.051	.163	.594
227700	736	.286	.061	.024	.589	285	38	.412	.062	.211	.643	285	88	.354	.047	.184	.499
227700	737	.342	.080	.118	.901	285	39	.333	.055	.153	.557	285	89	.354	.045	.185	.469
227700	738	.344	.076	.053	.846	285	40	.333	.054	.135	.588	285	90	.344	.044	.212	.482
227700	739	.283	.067	.053	.846	285	41	.333	.057	.166	.557	285	91	.344	.044	.205	.468
227700	740	.321	.076	.077	.639	285	42	.333	.057	.184	.668	285	92	.344	.047	.113	.489
227700	741	.316	.080	.046	.858	285	43	.333	.054	.140	.540	285	93	.320	.047	.078	.459
227700	742	.312	.071	.014	.738	285	44	.333	.055	.183	.554	285	94	.336	.048	.117	.480
227700	743	.314	.087	.031	.856	285	45	.333	.057	.124	.577	285	95	.345	.046	.133	.483
227700	744	.339	.083	.090	.854	285	46	.333	.058	.086	.644	285	96	.344	.048	.174	.501
227700	745	.337	.082	.007	.120	285	47	.333	.059	.140	.590	285	97	.344	.046	.170	.501
227700	746	.337	.086	.000	.805	285	48	.333	.060	.156	.615	285	98	.355	.047	.120	.477
227700	747	.309	.065	.125	.805	285	49	.333	.060	.080	.613	285	99	.363	.045	.218	.553
227700	748	.304	.032	.209	.333	285	50	.333	.062	.163	.637	285	100	.394	.059	.214	.558
227700	1	.333	.060	.133	.848	285	51	.333	.058	.119	.599	285	101	.361	.052	.218	.558
227700	2	.368	.061	.163	.648	285	52	.333	.064	.142	.555	285	102	.378	.049	.230	.530
227700	3	.316	.058	.110	.554	285	53	.333	.063	.203	.646	285	103	.376	.049	.230	.531
227700	4	.343	.059	.139	.554	285	54	.444	.065	.257	.731	285	104	.384	.048	.222	.564
227700	5	.346	.058	.173	.699	285	55	.333	.055	.206	.618	285	105	.353	.047	.185	.526
227700	6	.336	.057	.146	.848	285	56	.333	.055	.237	.644	285	106	.344	.065	.055	.447
227700	7	.354	.057	.193	.750	285	57	.333	.060	.168	.522	285	107	.334	.062	.048	.626
227700	8	.361	.056	.180	.979	285	58	.444	.059	.214	.629	285	108	.333	.063	.093	.590
227700	9	.388	.057	.209	.607	285	59	.333	.055	.178	.544	285	109	.333	.061	.023	.496
227700	10	.343	.057	.153	.807	285	60	.333	.056	.167	.557	285	110	.333	.061	.053	.507
227700	11	.370	.056	.186	.806	285	61	.333	.051	.154	.507	285	111	.345	.061	.055	.526
227700	12	.370	.061	.186	.806	285	62	.333	.051	.199	.332	285	112	.333	.066	.126	.627
227700	13	.369	.077	.154	.800	285	63	.333	.056	.146	.708	285	113	.345	.054	.148	.466
227700	14	.434	.093	.160	.910	285	64	.333	.053	.137	.700	285	114	.364	.050	.175	.515
227700	15	.411	.094	.160	.800	285	65	.333	.053	.117	.755	285	115	.361	.047	.188	.521
227700	16	.463	.104	.197	.806	285	66	.333	.053	.121	.522	285	116	.365	.049	.176	.522
227700	17	.437	.093	.199	.752	285	67	.333	.051	.085	.476	285	117	.333	.048	.140	.404
227700	18	.453	.081	.235	.523	285	68	.333	.048	.144	.626	285	118	.353	.049	.150	.502
227700	19	.384	.063	.190	.613	285	69	.333	.053	.140	.524	285	119	.353	.049	.160	.508
227700	20	.393	.057	.207	.594	285	70	.333	.054	.170	.553	285	120	.359	.054	.166	.522
227700	21	.379	.052	.182	.594	285	71	.333	.052	.130	.522	285	121	.341	.052	.140	.519
227700	22	.400	.054	.149	.566	285	72	.333	.053	.149	.688	285	122	.333	.052	.142	.530
227700	23	.362	.053	.159	.558	285	73	.333	.057	.075	.333	285	123	.333	.053	.148	.566
227700	24	.337	.053	.180	.558	285	74	.333	.056	.102	.333	285	124	.333	.048	.148	.549
227700	25	.349	.054	.128	.558	285	75	.333	.055	.140	.333	285	125	.360	.047	.213	.519
227700	26	.326	.054	.163	.558	285	76	.333	.058	.169	.333	285	126	.333	.053	.173	.557
227700	27	.345	.059	.129	.644	285	77	.333	.066	.160	.699	285	127	.333	.051	.193	.563
227700	28	.379	.060	.168	.655	285	78	.333	.060	.190	.606	285	128	.333	.047	.193	.547
227700	29	.341	.058	.144	.808	285	79	.333	.055	.185	.606	285	129	.333	.047	.205	.529
227700	30	.331	.058	.156	.808	285	80	.333	.059	.093	.677	285	130	.333	.048	.252	.537
227700	31	.352	.060	.136	.599	285	81	.333	.056	.120	.626	285	131	.333	.047	.243	.538
227700	32	.392	.066	.187	.675	285	82	.333	.057	.120	.333	285	132	.333	.060	.093	.592
227700	33	.364	.068	.158	.675	285	83	.333	.057	.093	.606	285	133	.333	.058	.123	.533
227700	34	.398	.071	.167	.699	285	84	.333	.055	.108	.606	285	134	.333	.059	.092	.622
227700	35	.425	.077	.210	.699	285	85	.333	.053	.115	.606	285	135	.333	.057	.135	.555
227700	36	.453	.076	.245	.753	285	86	.333	.059	.150	.606	285	136	.333	.062	.135	.635

APPENDIX A -- PRESSURE DATA:

MAIN PLACE HOTEL -- CONF. A -- DALLAS , TEXAS

WD	TAP	CPMEAN	CPRMS	CPMAX	CPMIN	WD	TAP	CPMEAN	CPRMS	CPMAX	CPMIN	WD	TAP	CPMEAN	CPRMS	CPMAX	CPMIN
285	137	.382	.060	.033	.596	285	187	.384	.069	.095	.730	285	321	.246	.051	.076	.399
285	138	.406	.058	.125	.635	285	188	.383	.068	.143	.670	285	322	.078	.047	.093	.225
285	139	.401	.053	.173	.611	285	189	.390	.063	.144	.620	285	323	.068	.051	.128	.210
285	140	.395	.052	.234	.575	285	190	.388	.064	.125	.628	285	324	.006	.053	.190	.164
285	141	.367	.050	.188	.516	285	191	.387	.066	.186	.635	285	325	.050	.059	.290	.124
285	142	.384	.049	.210	.530	285	192	.384	.071	.032	.700	285	326	.150	.074	.422	.241
285	143	.379	.049	.213	.536	285	193	.375	.071	.065	.701	285	327	.166	.096	.481	.346
285	144	.380	.053	.202	.577	285	194	.455	.090	.199	.834	285	328	.177	.186	.585	.592
285	145	.366	.052	.178	.566	285	195	.407	.066	.232	.626	285	329	.094	.264	.675	.950
285	146	.376	.053	.197	.552	285	196	.421	.069	.210	.728	285	330	.012	.236	.710	.659
285	147	.380	.053	.210	.574	285	197	.413	.069	.214	.717	285	331	.261	.053	.111	.426
285	148	.395	.051	.176	.587	285	198	.416	.071	.213	.675	285	332	.122	.047	.101	.291
285	149	.344	.050	.155	.588	285	199	.414	.075	.036	.805	285	333	.086	.048	.152	.230
285	150	.353	.052	.182	.555	285	200	.378	.075	.055	.707	285	334	.004	.055	.202	.155
285	151	.377	.054	.198	.599	285	201	.351	.078	.120	.751	285	335	.025	.063	.285	.184
285	152	.382	.059	.136	.620	285	202	.362	.080	.027	.979	285	336	.095	.071	.373	.207
285	153	.370	.057	.140	.668	285	203	.354	.076	.113	.651	285	337	.139	.089	.468	.276
285	154	.371	.057	.172	.689	285	204	.362	.070	.166	.703	285	338	.146	.182	.522	.633
285	155	.370	.058	.179	.660	285	205	.331	.070	.119	.584	285	339	.046	.260	.593	.934
285	156	.372	.058	.210	.594	285	206	.350	.106	.014	.843	285	340	.036	.216	.551	.781
285	157	.388	.058	.155	.541	285	207	.381	.072	.088	.614	285	341	.277	.050	.059	.449
285	158	.407	.093	.206	.576	285	208	.426	.072	.159	.687	285	342	.124	.044	.097	.262
285	159	.397	.068	.197	.535	285	209	.399	.069	.126	.638	285	343	.122	.045	.111	.268
285	160	.400	.066	.217	.333	285	210	.396	.071	.120	.660	285	344	.072	.045	.122	.197
285	161	.395	.064	.185	.701	285	211	.409	.089	.150	.880	285	345	.021	.053	.195	.197
285	162	.400	.064	.170	.664	285	212	.382	.073	.143	.650	285	346	.079	.064	.339	.095
285	163	.401	.058	.220	.644	285	213	.374	.072	.162	.624	285	347	.099	.081	.428	.184
285	164	.394	.054	.253	.597	285	214	.378	.076	.152	.766	285	348	.130	.127	.502	.439
285	165	.399	.051	.241	.577	285	215	.365	.069	.129	.687	285	349	.089	.197	.596	.701
285	166	.399	.050	.240	.578	285	216	.369	.073	.129	.769	285	350	.068	.234	.728	.768
285	167	.399	.054	.213	.549	285	301	.201	.050	.010	.411	285	351	.239	.056	.065	.530
285	168	.399	.054	.200	.560	285	302	.130	.050	.107	.292	285	352	.141	.041	.026	.326
285	169	.399	.052	.172	.529	285	303	.061	.057	.136	.247	285	353	.108	.046	.057	.311
285	170	.399	.053	.199	.592	285	304	.004	.061	.205	.230	285	354	.044	.050	.174	.248
285	171	.399	.050	.202	.569	285	305	.025	.060	.230	.212	285	355	.028	.056	.218	.210
285	172	.399	.052	.194	.590	285	306	.025	.057	.220	.206	285	356	.039	.037	.171	.056
285	173	.399	.052	.189	.599	285	307	.013	.057	.263	.218	285	357	.075	.077	.387	.207
285	174	.399	.052	.195	.632	285	308	.096	.096	.364	.481	285	358	.115	.093	.561	.248
285	175	.399	.060	.193	.488	285	309	.070	.203	.491	.904	285	359	.107	.148	.530	.404
285	176	.399	.061	.205	.680	285	310	.067	.249	.608	.777	285	360	.093	.161	.472	.615
285	177	.399	.064	.016	.667	285	311	.218	.047	.053	.363	285	361	.215	.055	.078	.404
285	178	.399	.071	.195	.832	285	312	.077	.049	.099	.244	285	362	.091	.048	.130	.264
285	179	.399	.065	.152	.619	285	313	.039	.053	.150	.226	285	363	.094	.048	.135	.271
285	180	.399	.066	.168	.557	285	314	.044	.061	.281	.146	285	364	.049	.047	.193	.225
285	181	.399	.067	.110	.585	285	315	.059	.065	.222	.123	285	365	.008	.051	.261	.190
285	182	.399	.066	.197	.734	285	316	.099	.070	.312	.214	285	366	.063	.051	.253	.102
285	183	.399	.063	.116	.546	285	317	.125	.081	.378	.347	285	367	.081	.060	.334	.089
285	184	.399	.065	.145	.693	285	318	.169	.157	.480	.735	285	368	.056	.070	.319	.319
285	185	.399	.067	.113	.656	285	319	.063	.261	.547	.757	285	369	.224	.060	.040	.513
285	186	.399	.067	.147	.605	285	320	.073	.228	.632	.730	285	370	.164	.057	.083	.373

APPENDIX A -- PRESSURE DATA:

MAIN PLACE HOTEL -- CONF. A -- DALLAS, TEXAS

WD	TAP	CPMEAN	CPRMS	CPMAX	CPMIN	WD	TAP	CPMEAN	CPRMS	CPMAX	CPMIN	WD	TAP	CPMEAN	CPRMS	CPMAX	CPMIN
285	371	.123	.055	.256	.293	285	446	.264	.121	.791	.250	285	538	.434	.081	.194	.780
285	372	.054	.058	.484	.228	285	447	.303	.141	.889	.192	285	539	.453	.115	.143	.015
285	373	.008	.058	.447	.176	285	448	.324	.148	.855	.090	285	540	.377	.095	.045	.814
285	374	.080	.060	.343	.109	285	449	.332	.148	.787	.100	285	541	.566	.140	.000	.072
285	375	.073	.071	.394	.138	285	450	.339	.143	.791	.063	285	542	.534	.126	.078	.129
285	401	.530	.163	.956	.085	285	451	.321	.139	.762	.074	285	543	.502	.149	.444	.945
285	402	.438	.149	.815	.055	285	452	.293	.134	.734	.097	285	544	.466	.124	.060	.034
285	403	.335	.133	.742	.116	285	453	.251	.124	.726	.071	285	545	.335	.127	.160	.744
285	404	.272	.124	.689	.106	285	454	.234	.118	.660	.087	285	546	.360	.134	.095	.723
285	405	.253	.122	.643	.089	285	455	.194	.113	.615	.094	285	547	.358	.077	.117	.804
285	406	.216	.117	.646	.119	285	456	.154	.106	.547	.126	285	548	.335	.075	.093	.638
285	407	.210	.114	.526	.156	285	457	.091	.104	.452	.183	285	549	.455	.112	.125	.855
285	408	.113	.101	.423	.214	285	458	.034	.097	.400	.243	285	550	.332	.088	.097	.702
285	409	.007	.085	.325	.269	285	501	.194	.113	.581	.173	285	551	.337	.116	.063	.889
285	410	.554	.160	1.070	.053	285	502	.058	.089	.515	.287	285	552	.669	.131	.222	.094
285	411	.542	.158	.978	.041	285	503	.299	.131	.834	.022	285	553	.346	.109	.092	.015
285	412	.468	.148	.863	.015	285	504	.129	.093	.500	.183	285	554	.848	.188	.239	.634
285	413	.407	.133	.919	.002	285	505	.284	.125	.867	.084	285	555	.807	.294	.355	.217
285	414	.378	.126	.922	.007	285	506	.126	.099	.544	.151	285	601	.617	.171	.189	.378
285	415	.329	.122	.877	.038	285	507	.381	.053	.208	.555	285	602	.710	.194	.325	.823
285	416	.260	.114	.790	.070	285	508	.344	.053	.180	.555	285	603	.604	.133	.234	.250
285	417	.160	.108	.477	.191	285	509	.357	.052	.187	.433	285	604	.423	.093	.171	.821
285	418	.043	.084	.303	.228	285	510	.351	.053	.202	.374	285	605	.339	.080	.203	.783
285	419	.503	.160	.961	.079	285	511	.372	.054	.161	.545	285	606	.545	.132	.193	.145
285	420	.517	.162	1.033	.075	285	512	.338	.053	.146	.514	285	607	.331	.179	.059	.311
285	421	.480	.153	.949	.088	285	513	.358	.054	.144	.524	285	608	.423	.120	.112	.875
285	422	.439	.141	.910	.058	285	514	.364	.054	.153	.525	285	609	.472	.109	.184	.946
285	423	.379	.131	.865	.031	285	515	.373	.053	.213	.555	285	610	.457	.091	.205	.855
285	424	.307	.121	.768	.039	285	516	.333	.056	.126	.500	285	611	.485	.155	.005	.089
285	425	.234	.115	.653	.076	285	517	.329	.053	.115	.512	285	612	.363	.135	.222	.080
285	426	.147	.098	.529	.124	285	518	.328	.057	.083	.444	285	613	.297	.097	.007	.733
285	427	.009	.079	.310	.228	285	519	.325	.063	.078	.655	285	614	.335	.080	.087	.652
285	428	.402	.165	.940	.000	285	520	.299	.053	.121	.448	285	615	.479	.158	.137	.217
285	429	.422	.159	.949	.010	285	521	.301	.054	.099	.500	285	616	.103	.132	.568	.393
285	430	.415	.148	.878	.010	285	522	.317	.055	.119	.522	285	617	.088	.105	.482	.368
285	431	.381	.139	.865	.000	285	523	.294	.050	.131	.447	285	618	.009	.087	.280	.459
285	432	.329	.130	.780	.066	285	524	.302	.050	.134	.458	285	619	.030	.088	.198	.456
285	433	.270	.125	.714	.134	285	525	.379	.074	.101	.787	285	620	.046	.081	.164	.521
285	434	.197	.107	.614	.155	285	526	.379	.110	.146	.978	285	621	.080	.093	.155	.917
285	435	.088	.091	.490	.197	285	527	.388	.094	.054	.697	285	622	.111	.097	.139	.784
285	436	.057	.071	.265	.282	285	528	.377	.078	.105	.726	285	623	.193	.106	.061	.921
285	437	.306	.144	.880	.269	285	529	.401	.108	.075	.982	285	624	.271	.109	.033	.795
285	438	.346	.142	.893	.017	285	530	.418	.080	.213	.754	285	625	.063	.128	.659	.399
285	439	.328	.137	.865	.019	285	531	.425	.093	.150	.909	285	626	.054	.097	.478	.276
285	440	.294	.132	.841	.056	285	532	.378	.080	.139	.829	285	627	.024	.046	.232	.165
285	441	.251	.124	.689	.108	285	533	.558	.126	.078	.966	285	628	.026	.041	.173	.105
285	442	.204	.111	.619	.116	285	534	.519	.109	.104	.957	285	629	.003	.042	.167	.122
285	443	.115	.099	.514	.190	285	535	.503	.144	.117	.982	285	630	.018	.041	.120	.141
285	444	.002	.085	.382	.287	285	536	.644	.133	.160	.688	285	631	.047	.042	.090	.198
285	445	.117	.075	.183	.386	285	537	.334	.092	.068	.888	285	632	.122	.050	.030	.313

APPENDIX A -- PRESSURE DATA:

MAIN PLACE HOTEL -- CONF. A -- DALLAS , TEXAS

WD	TAP	CPMEAN	CPRMS	CPMAX	CPMIN	WD	TAP	CPMEAN	CPRMS	CPMAX	CPMIN	WD	TAP	CPMEAN	CPRMS	CPMAX	CPMIN
285	633	.227	.066	.031	.458	285	729	.321	.085	.025	.694	300	31	.411	.067	.149	.764
285	634	.061	.112	.584	.535	285	730	.316	.089	.098	.607	300	32	.459	.069	.237	.795
285	635	.062	.091	.463	.284	285	731	.368	.066	.134	.587	300	33	.421	.066	.226	.731
285	636	.055	.050	.220	.112	285	732	.385	.085	.143	.929	300	34	.445	.064	.253	.822
285	637	.034	.047	.244	.160	285	733	.333	.072	.103	.716	300	35	.440	.066	.240	.905
285	638	.022	.044	.196	.144	285	734	.412	.099	.183	1.107	300	36	.466	.060	.272	.861
285	639	.005	.043	.182	.116	285	735	.395	.092	.141	.971	300	37	.415	.054	.219	.729
285	640	.020	.043	.220	.189	285	736	.341	.078	.088	.727	300	38	.433	.054	.234	.724
285	641	.076	.057	.162	.416	285	737	.433	.130	.136	1.167	300	39	.379	.054	.174	.563
285	642	.037	.138	.577	.492	285	738	.413	.111	.030	1.000	300	40	.344	.052	.161	.528
285	643	.085	.109	.560	.489	285	739	.336	.076	.102	.617	300	41	.358	.053	.196	.563
285	644	.122	.081	.400	.284	285	740	.421	.168	.073	1.295	300	42	.393	.053	.228	.614
285	645	.133	.068	.418	.213	285	741	.377	.105	.056	.855	300	43	.354	.051	.154	.556
285	646	.158	.088	.553	.113	285	742	.371	.075	.109	.788	300	44	.379	.051	.171	.567
285	647	.143	.066	.432	.068	285	743	.391	.141	.103	1.385	300	45	.362	.052	.203	.552
285	648	.138	.060	.420	.044	285	744	.428	.135	.042	.667	300	46	.318	.058	.153	.522
285	649	.143	.052	.426	.012	285	745	.394	.107	.076	.966	300	47	.361	.054	.164	.606
285	650	.150	.053	.376	.039	285	746	.361	.086	.051	.735	300	48	.389	.057	.178	.621
285	651	.154	.069	.413	.088	285	747	.119	.049	.235	.007	300	49	.389	.060	.198	.637
285	652	.138	.064	.457	.007	285	748	.351	.030	.267	.443	300	50	.434	.063	.228	.697
285	653	.159	.061	.480	.007	300	1	.357	.061	.085	.575	300	51	.402	.060	.173	.680
285	654	.166	.057	.388	.025	300	2	.396	.062	.122	.609	300	52	.436	.065	.213	.771
285	655	.146	.060	.501	.195	300	3	.349	.061	.066	.576	300	53	.435	.071	.259	.811
285	701	.394	.068	.210	.813	300	4	.378	.062	.127	.598	300	54	.476	.068	.281	.788
285	702	.379	.062	.136	.716	300	5	.362	.059	.151	.630	300	55	.416	.056	.247	.629
285	703	.353	.068	.052	.683	300	6	.396	.060	.174	.717	300	56	.433	.053	.267	.609
285	704	.334	.068	.083	.672	300	7	.351	.059	.122	.659	300	57	.419	.051	.222	.566
285	705	.373	.076	.175	.731	300	8	.380	.061	.143	.705	300	58	.453	.051	.276	.607
285	706	.398	.088	.181	.946	300	9	.375	.062	.172	.665	300	59	.398	.050	.228	.544
285	707	.375	.079	.123	.735	300	10	.419	.072	.188	.729	300	60	.361	.055	.164	.555
285	708	.356	.077	.154	.767	300	11	.393	.078	.159	.784	300	61	.361	.052	.130	.601
285	709	.448	.126	.084	.097	300	12	.442	.085	.187	.982	300	62	.401	.053	.203	.670
285	710	.411	.105	.136	.010	300	13	.452	.087	.240	1.082	300	63	.378	.060	.191	.689
285	711	.396	.088	.157	.821	300	14	.488	.088	.274	1.145	300	64	.387	.053	.206	.689
285	712	.421	.132	.125	.056	300	15	.436	.078	.244	.992	300	65	.375	.051	.207	.545
285	713	.393	.070	.195	.684	300	16	.465	.074	.258	.961	300	66	.404	.050	.245	.573
285	715	.374	.076	.125	.713	300	17	.438	.061	.283	.714	300	67	.354	.048	.180	.528
285	716	.356	.075	.117	.679	300	18	.465	.057	.294	.717	300	68	.370	.044	.241	.513
285	717	.348	.100	.119	.808	300	19	.413	.053	.233	.683	300	69	.360	.047	.198	.530
285	718	.357	.079	.136	.683	300	20	.440	.055	.274	.881	300	70	.391	.047	.223	.568
285	719	.381	.077	.084	.740	300	21	.411	.050	.250	.578	300	71	.345	.046	.187	.512
285	720	.257	.096	.120	.611	300	22	.367	.054	.162	.553	300	72	.365	.047	.225	.540
285	721	.336	.083	.040	.714	300	23	.357	.058	.108	.547	300	73	.369	.048	.156	.530
285	722	.374	.080	.037	.661	300	24	.394	.059	.150	.597	300	74	.405	.048	.201	.575
285	723	.266	.114	.472	.612	300	25	.354	.057	.099	.560	300	75	.376	.047	.194	.556
285	724	.274	.088	.034	.616	300	26	.378	.057	.141	.586	300	76	.422	.050	.251	.614
285	725	.373	.078	.067	.600	300	27	.371	.058	.158	.599	300	77	.403	.059	.222	.704
285	726	.369	.090	.042	.671	300	28	.412	.063	.179	.717	300	78	.411	.053	.252	.591
285	727	.361	.087	.049	.681	300	29	.378	.063	.173	.759	300	79	.401	.048	.256	.543
285	728	.292	.087	.071	.584	300	30	.385	.062	.199	.637	300	80	.336	.056	.118	.571

APPENDIX A -- PRESSURE DATA:

MAIN PLACE HOTEL -- CONF. A -- DALLAS , TEXAS

WD	TAP	CPMEAN	CPRMS	CPMAX	CPMIN	WD	TAP	CPMEAN	CPRMS	CPMAX	CPMIN	WD	TAP	CPMEAN	CPRMS	CPMAX	CPMIN
300	81	.327	.055	.139	.545	300	131	.428	.042	.305	.577	300	181	.412	.061	.186	.721
300	82	.350	.057	.136	.571	300	132	.425	.062	.156	.692	300	182	.417	.062	.212	.812
300	83	.352	.055	.136	.561	300	133	.415	.058	.215	.681	300	183	.394	.058	.215	.607
300	84	.375	.051	.174	.534	300	134	.443	.061	.173	.707	300	184	.443	.063	.239	.679
300	85	.367	.050	.192	.522	300	135	.444	.057	.187	.674	300	185	.433	.064	.238	.671
300	86	.433	.061	.247	.709	300	136	.448	.056	.207	.636	300	186	.428	.068	.253	.734
300	87	.411	.051	.254	.637	300	137	.427	.052	.215	.584	300	187	.428	.064	.215	.694
300	88	.400	.047	.239	.629	300	138	.456	.053	.280	.672	300	188	.425	.063	.243	.776
300	89	.369	.043	.222	.513	300	139	.449	.052	.284	.631	300	189	.437	.063	.202	.710
300	90	.386	.043	.215	.531	300	140	.420	.049	.276	.615	300	190	.435	.062	.144	.711
300	91	.377	.043	.194	.517	300	141	.394	.046	.252	.596	300	191	.435	.065	.192	.694
300	92	.369	.042	.237	.506	300	142	.414	.046	.277	.591	300	192	.431	.065	.160	.697
300	93	.345	.042	.208	.485	300	143	.407	.043	.275	.580	300	193	.426	.065	.195	.714
300	94	.365	.043	.206	.510	300	144	.390	.040	.239	.527	300	194	.478	.082	.169	.926
300	95	.362	.044	.189	.506	300	145	.368	.039	.224	.490	300	195	.460	.066	.244	.730
300	96	.393	.044	.237	.557	300	146	.393	.040	.243	.534	300	196	.456	.068	.171	.774
300	97	.381	.041	.224	.533	300	147	.391	.040	.236	.527	300	197	.449	.069	.134	.796
300	98	.408	.043	.245	.566	300	148	.388	.043	.160	.532	300	198	.450	.071	.112	.825
300	99	.416	.041	.256	.564	300	149	.369	.042	.203	.501	300	199	.451	.071	.203	.769
300	100	.449	.056	.288	.713	300	150	.395	.044	.222	.545	300	200	.413	.071	.146	.711
300	101	.416	.049	.261	.626	300	151	.397	.045	.243	.607	300	201	.396	.074	.049	.705
300	102	.429	.047	.293	.573	300	152	.437	.059	.269	.897	300	202	.410	.076	.182	.944
300	103	.423	.046	.273	.564	300	153	.425	.056	.263	.780	300	203	.407	.070	.167	.746
300	104	.437	.049	.299	.597	300	154	.426	.053	.271	.709	300	204	.419	.066	.220	.832
300	105	.405	.048	.256	.561	300	155	.417	.056	.228	.596	300	205	.390	.067	.168	.753
300	106	.376	.061	.102	.552	300	156	.418	.056	.243	.602	300	206	.417	.088	.093	.759
300	107	.384	.059	.162	.587	300	157	.406	.055	.234	.603	300	207	.430	.075	.158	.694
300	108	.384	.064	.144	.594	300	158	.472	.114	.219	.361	300	208	.451	.073	.225	.753
300	109	.368	.060	.141	.564	300	159	.448	.068	.189	.769	300	209	.436	.075	.168	.712
300	110	.401	.058	.162	.631	300	160	.455	.063	.262	.721	300	210	.426	.077	.080	.743
300	111	.412	.058	.178	.614	300	161	.442	.059	.249	.644	300	211	.445	.084	.176	.902
300	112	.459	.065	.174	.659	300	162	.443	.057	.237	.663	300	212	.425	.074	.183	.1036
300	113	.420	.056	.187	.697	300	163	.438	.058	.258	.646	300	213	.416	.072	.197	.1007
300	114	.436	.052	.261	.723	300	164	.429	.054	.232	.614	300	214	.423	.077	.203	.1087
300	115	.426	.050	.254	.651	300	165	.415	.051	.265	.589	300	215	.407	.078	.178	.863
300	116	.417	.043	.272	.669	300	166	.414	.051	.267	.588	300	216	.413	.079	.204	.885
300	117	.390	.043	.249	.529	300	167	.419	.053	.251	.667	300	301	.120	.066	.119	.315
300	118	.411	.043	.254	.557	300	168	.416	.052	.259	.734	300	302	.009	.076	.333	.230
300	119	.407	.043	.247	.540	300	169	.391	.051	.225	.616	300	303	.079	.086	.388	.210
300	120	.400	.046	.246	.562	300	170	.409	.050	.251	.625	300	304	.117	.088	.468	.146
300	121	.377	.044	.222	.533	300	171	.405	.049	.276	.571	300	305	.120	.086	.474	.154
300	122	.406	.042	.268	.552	300	172	.410	.051	.259	.593	300	306	.140	.090	.472	.109
300	123	.408	.045	.245	.570	300	173	.404	.051	.256	.589	300	307	.163	.100	.507	.137
300	124	.426	.050	.202	.580	300	174	.408	.053	.264	.609	300	308	.302	.127	.656	.060
300	125	.408	.050	.199	.566	300	175	.410	.052	.251	.721	300	309	.389	.146	.848	.023
300	126	.445	.055	.280	.640	300	176	.413	.054	.248	.626	300	310	.490	.164	.982	.218
300	127	.434	.053	.252	.647	300	177	.410	.059	.079	.667	300	311	.107	.067	.112	.343
300	128	.441	.044	.325	.606	300	178	.422	.065	.228	.709	300	312	.059	.084	.342	.174
300	129	.414	.043	.296	.580	300	179	.423	.063	.194	.758	300	313	.112	.093	.442	.127
300	130	.437	.041	.321	.582	300	180	.421	.061	.190	.734	300	314	.184	.094	.480	.074

APPENDIX A -- PRESSURE DATA:

MAIN PLACE HOTEL -- CONF. A -- DALLAS , TEXAS

WD	TAP	CPMEAN	CPRMS	CPMAX	CPMIN	WD	TAP	CPMEAN	CPRMS	CPMAX	CPMIN	WD	TAP	CPMEAN	CPRMS	CPMAX	CPMIN
300	315	.238	.098	.513	.032	300	365	.065	.051	.330	.072	300	440	.115	.098	.488	.206
300	316	.271	.107	.577	.017	300	366	.119	.055	.351	.047	300	441	.069	.094	.540	.173
300	317	.323	.117	.676	.002	300	367	.178	.065	.478	.005	300	442	.020	.080	.426	.211
300	318	.430	.130	.816	.067	300	368	.159	.067	.501	.002	300	443	.066	.068	.276	.278
300	319	.495	.142	.918	.090	300	369	.222	.058	.030	.524	300	444	.168	.059	.153	.347
300	320	.539	.165	1.015	.052	300	370	.142	.055	.062	.312	300	445	.274	.055	.042	.430
300	321	.169	.064	.107	.370	300	371	.028	.056	.219	.199	300	446	.098	.183	.664	.530
300	322	.020	.071	.282	.166	300	372	.037	.061	.351	.135	300	447	.121	.164	.595	.482
300	323	.092	.077	.376	.102	300	373	.094	.058	.387	.057	300	448	.136	.123	.493	.369
300	324	.149	.084	.447	.061	300	374	.131	.063	.401	.047	300	449	.156	.114	.493	.459
300	325	.223	.096	.536	.005	300	375	.169	.069	.470	.012	300	450	.160	.102	.475	.371
300	326	.310	.099	.640	.005	300	401	.351	.215	.889	.442	300	451	.141	.095	.446	.310
300	327	.377	.112	.771	.052	300	402	.233	.139	.678	.147	300	452	.109	.089	.439	.269
300	328	.446	.129	.914	.106	300	403	.133	.099	.467	.166	300	453	.068	.079	.376	.151
300	329	.491	.142	.966	.067	300	404	.131	.090	.393	.144	300	454	.061	.076	.349	.172
300	330	.517	.162	.979	.141	300	405	.098	.086	.364	.143	300	455	.022	.074	.298	.197
300	331	.197	.059	.000	.418	300	406	.062	.081	.345	.166	300	456	.010	.072	.248	.214
300	332	.031	.060	.194	.231	300	407	.029	.087	.355	.257	300	457	.050	.077	.230	.266
300	333	.029	.063	.283	.169	300	408	.061	.073	.192	.349	300	458	.094	.077	.259	.361
300	334	.106	.069	.388	.079	300	409	.158	.065	.161	.383	300	501	.037	.076	.290	.221
300	335	.195	.082	.552	.020	300	410	.375	.221	.991	.608	300	502	.026	.064	.199	.206
300	336	.266	.096	.659	.027	300	411	.345	.143	.802	.182	300	503	.090	.089	.474	.310
300	337	.336	.113	.780	.065	300	412	.256	.121	.638	.063	300	504	.029	.060	.337	.206
300	338	.422	.122	.814	.111	300	413	.211	.112	.596	.107	300	505	.144	.110	.504	.286
300	339	.467	.134	.925	.027	300	414	.179	.104	.550	.099	300	506	.025	.092	.303	.323
300	340	.343	.124	.799	.058	300	415	.125	.098	.504	.142	300	507	.429	.050	.288	.703
300	341	.247	.054	.020	.420	300	416	.054	.089	.398	.182	300	508	.390	.052	.211	.661
300	342	.087	.047	.124	.235	300	417	.033	.074	.178	.247	300	509	.409	.051	.238	.662
300	343	.022	.047	.174	.189	300	418	.121	.057	.061	.295	300	510	.439	.051	.282	.679
300	344	.026	.049	.216	.157	300	419	.340	.230	1.006	.607	300	511	.406	.052	.225	.635
300	345	.104	.062	.335	.104	300	420	.342	.151	.883	.345	300	512	.374	.050	.213	.637
300	346	.194	.080	.579	.020	300	421	.276	.123	.786	.154	300	513	.400	.049	.264	.578
300	347	.278	.102	.801	.022	300	422	.230	.107	.654	.034	300	514	.405	.048	.260	.602
300	348	.349	.123	.823	.047	300	423	.169	.098	.545	.084	300	515	.423	.051	.273	.618
300	349	.384	.138	.864	.040	300	424	.097	.088	.432	.148	300	516	.377	.053	.186	.574
300	350	.381	.151	.945	.195	300	425	.020	.082	.313	.203	300	517	.379	.052	.156	.581
300	351	.177	.063	.047	.373	300	426	.052	.068	.191	.245	300	518	.387	.055	.194	.677
300	352	.071	.055	.113	.231	300	427	.157	.057	.046	.322	300	519	.387	.066	.171	.642
300	353	.029	.052	.147	.191	300	428	.274	.247	.891	.590	300	520	.340	.052	.155	.496
300	354	.018	.051	.195	.148	300	429	.274	.163	.798	.464	300	521	.354	.055	.134	.552
300	355	.083	.057	.361	.090	300	430	.236	.119	.695	.078	300	522	.373	.054	.180	.570
300	356	.143	.070	.499	.049	300	431	.180	.105	.588	.050	300	523	.338	.047	.139	.494
300	357	.201	.088	.658	.052	300	432	.114	.093	.439	.099	300	524	.342	.047	.151	.479
300	358	.238	.101	.744	.010	300	433	.076	.088	.413	.154	300	525	.398	.073	.135	.739
300	359	.323	.117	.826	.027	300	434	.006	.074	.332	.194	300	526	.449	.115	.173	.968
300	360	.314	.121	.826	.037	300	435	.092	.064	.197	.283	300	527	.432	.106	.095	.912
300	361	.191	.061	.062	.363	300	436	.206	.057	.010	.391	300	528	.432	.071	.174	.726
300	362	.056	.056	.168	.235	300	437	.144	.247	.725	.715	300	529	.491	.122	.167	1.134
300	363	.010	.051	.221	.174	300	438	.197	.165	.690	.601	300	530	.462	.077	.205	.800
300	364	.019	.049	.246	.138	300	439	.166	.111	.624	.422	300	531	.460	.086	.236	.861

APPENDIX A -- PRESSURE DATA:

MAIN PLACE HOTEL -- CONF. A -- DALLAS , TEXAS

WD	TAP	CPMEAN	CPRMS	CPMAX	CPMIN	WD	TAP	CPMEAN	CPRMS	CPMAX	CPMIN	WD	TAP	CPMEAN	CPRMS	CPMAX	CPMIN
300	532	.406	.085	.108	.910	300	627	.069	.067	.119	.532	300	723	.323	.089	.005	.670
300	533	.491	.125	.040	.930	300	628	.045	.045	.097	.261	300	724	.327	.080	.022	.694
300	534	.413	.126	.096	.867	300	629	.049	.039	.090	.229	300	725	.410	.077	.134	.700
300	535	.032	.250	.642	.974	300	630	.079	.037	.058	.228	300	726	.403	.079	.095	.767
300	536	.700	.118	.344	.150	300	631	.106	.037	.033	.250	300	727	.380	.075	.014	.696
300	537	.595	.132	.214	.069	300	632	.203	.045	.033	.425	300	728	.334	.076	.088	.699
300	538	.490	.084	.244	.821	300	633	.339	.065	.156	.712	300	729	.372	.077	.083	.674
300	539	.462	.089	.226	.817	300	634	.116	.110	.493	.525	300	730	.334	.095	.084	.837
300	540	.428	.101	.170	.235	300	635	.101	.111	.387	.602	300	731	.403	.062	.240	.709
300	541	.515	.120	.093	.941	300	636	.049	.071	.185	.342	300	732	.403	.075	.208	.775
300	542	.432	.171	.239	.956	300	637	.029	.055	.177	.271	300	733	.370	.065	.154	.740
300	543	.205	.182	.222	.806	300	638	.046	.045	.130	.249	300	734	.446	.091	.044	.915
300	544	.721	.125	.222	.228	300	639	.066	.042	.068	.266	300	735	.428	.083	.131	.769
300	545	.521	.175	.218	.018	300	640	.113	.041	.035	.415	300	736	.370	.061	.172	.651
300	546	.598	.130	.014	.054	300	641	.125	.062	.144	.249	300	737	.442	.119	.014	.146
300	547	.487	.081	.252	.787	300	642	.257	.099	.676	.028	300	738	.441	.092	.024	.002
300	548	.438	.055	.111	.566	300	643	.238	.094	.690	.016	300	739	.380	.066	.155	.619
300	549	.438	.101	.121	.846	300	644	.239	.097	.623	.027	300	740	.447	.152	.027	.402
300	550	.295	.047	.154	.520	300	645	.239	.100	.735	.005	300	741	.399	.097	.051	.926
300	551	.250	.066	.083	.799	300	646	.238	.129	.703	.081	300	742	.405	.074	.214	.715
300	552	.809	.136	.436	.186	300	647	.250	.075	.620	.083	300	743	.427	.164	.017	.463
300	553	.962	.279	.200	.759	300	648	.233	.080	.635	.063	300	744	.448	.125	.044	.143
300	554	.898	.210	.344	.651	300	649	.239	.079	.626	.075	300	745	.415	.098	.105	.909
300	555	.925	.480	.330	.468	300	650	.223	.081	.668	.010	300	746	.390	.089	.105	.723
300	601	.696	.138	.384	.398	300	651	.159	.093	.681	.093	300	747	.415	.077	.131	.783
300	602	.746	.151	.444	.592	300	652	.216	.077	.552	.022	300	748	.384	.070	.073	.663
300	603	.669	.127	.219	.227	300	653	.231	.077	.600	.049	300	1	.364	.057	.184	.582
300	604	.486	.105	.179	.892	300	654	.248	.080	.631	.086	300	2	.397	.058	.215	.608
300	605	.484	.094	.250	.945	300	655	.144	.067	.501	.029	300	3	.361	.058	.181	.563
300	606	.729	.134	.414	.292	300	701	.437	.066	.187	.834	300	4	.388	.058	.174	.621
300	607	.741	.164	.100	.366	300	702	.421	.060	.204	.665	300	5	.383	.061	.149	.624
300	608	.518	.132	.175	.958	300	703	.389	.060	.175	.648	300	6	.411	.062	.173	.661
300	609	.496	.102	.189	.891	300	704	.397	.061	.200	.655	300	7	.379	.062	.144	.743
300	610	.485	.088	.207	.899	300	705	.421	.066	.235	.761	300	8	.428	.073	.202	.979
300	611	.698	.175	.131	.481	300	706	.438	.098	.221	.301	300	9	.437	.086	.163	.887
300	612	.502	.161	.053	.062	300	707	.408	.068	.189	.828	300	10	.470	.083	.244	.996
300	613	.466	.123	.014	.929	300	708	.421	.073	.205	.813	300	11	.434	.070	.252	.857
300	614	.449	.100	.111	.834	300	709	.484	.119	.199	.248	300	12	.459	.064	.282	.805
300	615	.782	.182	.337	.679	300	710	.446	.089	.194	.978	300	13	.450	.057	.248	.712
300	616	.166	.171	.439	.640	300	711	.424	.081	.208	.816	300	14	.473	.053	.273	.659
300	617	.029	.125	.351	.634	300	712	.463	.135	.149	.106	300	15	.437	.049	.255	.625
300	618	.043	.081	.174	.558	300	713	.437	.068	.165	.683	300	16	.472	.052	.280	.656
300	619	.054	.072	.133	.452	300	715	.389	.066	.196	.703	300	17	.462	.051	.300	.603
300	620	.055	.060	.162	.367	300	716	.375	.073	.061	.701	300	18	.481	.051	.300	.627
300	621	.072	.063	.141	.476	300	717	.385	.081	.046	.769	300	19	.439	.048	.259	.604
300	622	.124	.067	.049	.539	300	718	.388	.068	.192	.774	300	20	.469	.051	.294	.746
300	623	.241	.081	.058	.646	300	719	.405	.076	.153	.746	300	21	.447	.053	.270	.641
300	624	.356	.095	.159	.801	300	720	.334	.084	.010	.635	300	22	.394	.063	.176	.623
300	625	.187	.131	.460	.672	300	721	.399	.079	.114	.676	300	23	.389	.063	.192	.669
300	626	.161	.133	.337	.628	300	722	.408	.079	.146	.689	300	24	.416	.066	.215	.679

APPENDIX A -- PRESSURE DATA:

MAIN PLACE HOTEL -- CONF. A -- DALLAS, TEXAS

WD	TAP	CPMEAN	CPRMS	CPMAX	CPMIN	WD	TAP	CPMEAN	CPRMS	CPMAX	CPMIN	WD	TAP	CPMEAN	CPRMS	CPMAX	CPMIN
315	25	385	.063	195	.621	315	75	398	.048	162	.556	315	125	408	.043	238	.531
315	26	414	.063	233	.673	315	76	442	.048	280	.612	315	126	449	.045	317	.611
315	27	421	.060	192	.686	315	77	433	.049	261	.622	315	127	438	.046	296	.622
315	28	460	.064	249	.886	315	78	440	.047	287	.611	315	128	430	.043	275	.586
315	29	435	.062	222	.894	315	79	426	.045	276	.565	315	129	411	.045	268	.557
315	30	424	.059	262	.650	315	80	357	.050	167	.515	315	130	434	.041	298	.557
315	31	446	.056	196	.757	315	81	350	.050	192	.637	315	131	426	.046	268	.559
315	32	480	.055	261	.749	315	82	378	.050	175	.550	315	132	423	.061	186	.610
315	33	441	.051	276	.674	315	83	382	.047	164	.535	315	133	418	.057	214	.730
315	34	464	.050	306	.645	315	84	387	.050	167	.575	315	134	447	.059	199	.647
315	35	464	.051	274	.643	315	85	385	.049	179	.568	315	135	444	.056	207	.671
315	36	489	.050	298	.681	315	86	444	.055	270	.665	315	136	459	.056	182	.679
315	37	444	.047	357	.621	315	87	426	.050	235	.626	315	137	438	.051	199	.614
315	38	462	.047	266	.628	315	88	411	.044	294	.681	315	138	470	.051	248	.662
315	39	399	.061	185	.618	315	89	387	.041	277	.547	315	139	459	.050	304	.639
315	40	371	.060	155	.584	315	90	402	.041	291	.527	315	140	440	.044	294	.707
315	41	388	.057	182	.643	315	91	395	.040	272	.518	315	141	419	.042	257	.542
315	42	421	.057	225	.681	315	92	396	.045	219	.534	315	142	440	.042	268	.633
315	43	385	.054	213	.600	315	93	378	.044	219	.516	315	143	430	.042	253	.585
315	44	413	.055	231	.609	315	94	397	.045	196	.531	315	144	428	.044	251	.580
315	45	408	.053	241	.598	315	95	393	.046	220	.550	315	145	411	.042	240	.553
315	46	359	.056	183	.548	315	96	392	.045	235	.534	315	146	435	.044	255	.574
315	47	417	.053	266	.623	315	97	381	.043	251	.508	315	147	431	.044	276	.570
315	48	446	.055	294	.694	315	98	411	.044	237	.548	315	148	428	.048	234	.582
315	49	445	.061	227	.896	315	99	420	.041	265	.533	315	149	412	.047	177	.557
315	50	482	.064	261	.915	315	100	450	.054	266	.538	315	150	438	.050	216	.600
315	51	449	.061	255	.799	315	101	415	.048	242	.579	315	151	438	.051	229	.611
315	52	476	.063	287	.840	315	102	431	.046	274	.593	315	152	451	.057	267	.734
315	53	474	.055	335	.712	315	103	425	.046	263	.581	315	153	437	.053	263	.643
315	54	504	.054	222	.703	315	104	432	.044	283	.593	315	154	436	.054	255	.652
315	55	451	.047	339	.618	315	105	407	.043	248	.560	315	155	426	.054	253	.579
315	56	466	.049	308	.633	315	106	372	.056	177	.578	315	156	433	.056	253	.602
315	57	449	.046	293	.596	315	107	382	.054	183	.581	315	157	419	.056	228	.594
315	58	479	.047	220	.642	315	108	388	.058	190	.608	315	158	515	.112	255	1.201
315	59	430	.046	269	.595	315	109	374	.053	147	.573	315	159	481	.070	283	.796
315	60	399	.055	266	.572	315	110	405	.051	231	.589	315	160	476	.060	239	.801
315	61	396	.052	225	.594	315	111	415	.049	242	.578	315	161	461	.057	250	.708
315	62	437	.052	354	.644	315	112	446	.052	305	.660	315	162	457	.054	255	.652
315	63	424	.059	332	.769	315	113	415	.046	292	.601	315	163	456	.055	249	.644
315	64	429	.053	339	.718	315	114	431	.043	311	.632	315	164	451	.049	310	.616
315	65	419	.050	253	.591	315	115	423	.042	296	.617	315	165	438	.047	301	.605
315	66	442	.049	271	.591	315	116	408	.045	240	.547	315	166	437	.046	300	.610
315	67	399	.048	220	.535	315	117	386	.044	190	.514	315	167	431	.048	260	.614
315	68	415	.044	280	.541	315	118	405	.043	207	.527	315	168	434	.047	262	.607
315	69	401	.047	196	.551	315	119	402	.044	203	.522	315	169	422	.050	221	.592
315	70	430	.047	237	.566	315	120	404	.042	240	.552	315	170	425	.046	260	.603
315	71	386	.047	176	.526	315	121	386	.042	233	.512	315	171	430	.049	285	.612
315	72	405	.048	186	.551	315	122	410	.040	242	.529	315	172	437	.049	269	.625
315	73	394	.049	170	.544	315	123	411	.042	220	.555	315	173	432	.051	252	.607
315	74	426	.049	215	.574	315	124	417	.043	247	.532	315	174	436	.052	267	.607

APPENDIX A -- PRESSURE DATA:

MAIN PLACE HOTEL -- CONF. A -- DALLAS, TEXAS

WD	TAP	CPMEAN	CPRMS	CPMAX	CPMIN	WD	TAP	CPMEAN	CPRMS	CPMAX	CPMIN	WD	TAP	CPMEAN	CPRMS	CPMAX	CPMIN
315	175	.441	.050	.298	.668	315	309	.507	.169	.993	.022	315	359	.434	.143	.915	.069
315	176	.449	.053	.262	.680	315	310	.509	.176	1.005	.027	315	360	.301	.127	.731	.048
315	177	.444	.059	.121	.676	315	311	.031	.093	1.394	.233	315	361	.153	.074	.146	.414
315	178	.460	.062	.253	.771	315	312	.214	.113	.586	.099	315	362	.016	.062	.231	.218
315	179	.439	.059	.278	.812	315	313	.277	.125	.689	.056	315	363	.041	.057	.289	.179
315	180	.444	.058	.285	.789	315	314	.352	.126	.820	.029	315	364	.061	.050	.287	.116
315	181	.438	.059	.279	.795	315	315	.436	.132	.904	.092	315	365	.101	.050	.343	.068
315	182	.443	.061	.276	.809	315	316	.442	.133	.978	.060	315	366	.165	.057	.405	.017
315	183	.420	.062	.144	.771	315	317	.492	.141	.944	.083	315	367	.252	.073	.561	.074
315	184	.460	.058	.251	.730	315	318	.566	.161	1.012	.119	315	368	.231	.078	.538	.048
315	185	.452	.060	.250	.726	315	319	.632	.176	1.150	.151	315	369	.231	.056	.632	.416
315	186	.450	.060	.247	.686	315	320	.534	.180	1.222	.051	315	370	.118	.056	.661	.306
315	187	.454	.056	.280	.724	315	321	.047	.087	1.222	.282	315	371	.037	.065	.264	.207
315	188	.462	.061	.290	.828	315	322	.180	.094	.505	.087	315	372	.102	.070	.386	.128
315	189	.466	.060	.221	.799	315	323	.292	.108	.628	.020	315	373	.142	.061	.399	.024
315	190	.465	.060	.208	.753	315	324	.342	.112	.664	.063	315	374	.173	.063	.434	.002
315	191	.440	.062	.191	.648	315	325	.428	.124	.930	.134	315	375	.231	.076	.597	.018
315	192	.442	.063	.242	.661	315	326	.496	.141	.979	.117	315	401	.259	.266	.338	.274
315	193	.433	.064	.259	.699	315	327	.591	.156	1.112	.197	315	402	.263	.293	.265	.351
315	194	.482	.090	.195	.939	315	328	.595	.155	.669	.188	315	403	.033	.104	.267	.935
315	195	.528	.076	.277	.879	315	329	.588	.158	.022	.166	315	404	.027	.075	.200	.574
315	196	.501	.076	.287	.880	315	330	.495	.173	.988	.029	315	405	.063	.067	.166	.442
315	197	.482	.073	.225	.842	315	331	.093	.079	.288	.330	315	406	.090	.062	.148	.309
315	198	.473	.074	.238	.802	315	332	.106	.083	.999	.145	315	407	.153	.058	.061	.361
315	199	.455	.080	.018	.802	315	333	.178	.089	.567	.090	315	408	.218	.050	.032	.402
315	200	.476	.085	.276	.919	315	334	.246	.099	.997	.027	315	409	.286	.048	.092	.442
315	201	.451	.081	.222	.146	315	335	.374	.120	.784	.051	315	410	.413	.235	.497	.332
315	202	.469	.084	.157	.937	315	336	.426	.130	.852	.055	315	411	.209	.328	.437	.477
315	203	.457	.075	.258	.821	315	337	.490	.146	.527	.080	315	412	.016	.116	.288	.789
315	204	.478	.073	.278	.965	315	338	.543	.150	.056	.170	315	413	.003	.073	.247	.297
315	205	.455	.070	.223	.819	315	339	.580	.160	1.171	.141	315	414	.012	.065	.227	.260
315	206	.471	.104	.056	.912	315	340	.431	.144	.979	.012	315	415	.062	.061	.182	.258
315	207	.463	.087	.144	.803	315	341	.190	.059	.007	.389	315	416	.122	.056	.097	.510
315	208	.480	.078	.239	.801	315	342	.006	.055	.104	.182	315	417	.200	.051	.010	.364
315	209	.453	.081	.114	.766	315	343	.080	.056	.282	.102	315	418	.252	.047	.094	.437
315	210	.437	.078	.141	.719	315	344	.119	.056	.328	.031	315	419	.342	.230	.523	.335
315	211	.433	.087	.099	.794	315	345	.203	.073	.550	.019	315	420	.233	.321	.432	.210
315	212	.466	.080	.253	.851	315	346	.303	.107	.738	.041	315	421	.020	.194	.310	.251
315	213	.460	.080	.243	.822	315	347	.412	.138	.888	.072	315	422	.023	.098	.260	.662
315	214	.461	.081	.247	.948	315	348	.422	.143	.933	.060	315	423	.035	.067	.189	.400
315	215	.451	.075	.242	.762	315	349	.406	.147	.937	.046	315	424	.092	.056	.102	.298
315	216	.457	.078	.205	.796	315	350	.372	.159	.871	.080	315	425	.163	.050	.090	.322
315	301	.001	.090	.297	.304	315	351	.111	.072	.210	.333	315	426	.201	.043	.000	.353
315	302	.111	.103	.435	.222	315	352	.015	.060	.244	.193	315	427	.285	.042	.135	.444
315	303	.210	.113	.543	.141	315	353	.057	.057	.222	.153	315	428	.382	.237	.451	.138
315	304	.231	.115	.557	.125	315	354	.107	.058	.313	.073	315	429	.284	.300	.424	.305
315	305	.227	.114	.560	.132	315	355	.187	.069	.448	.008	315	430	.056	.191	.316	.892
315	306	.246	.111	.571	.125	315	356	.238	.085	.538	.022	315	431	.022	.090	.245	.555
315	307	.305	.133	.774	.056	315	357	.299	.110	.728	.046	315	432	.073	.061	.149	.429
315	308	.450	.158	.924	.000	315	358	.335	.119	.767	.012	315	433	.129	.060	.160	.412

APPENDIX A -- PRESSURE DATA:

MAIN PLACE HOTEL -- CONF. A -- DALLAS , TEXAS

WD	TAP	CPMEAN	CPRMS	CPMAX	CPMIN	WD	TAP	CPMEAN	CPRMS	CPMAX	CPMIN	WD	TAP	CPMEAN	CPRMS	CPMAX	CPMIN
3315	434	166	0533	059	400	3315	526	586	139	090	053	3315	621	151	052	014	440
3315	435	243	0550	066	427	3315	527	758	129	393	272	3315	622	186	053	053	461
3315	436	323	0552	159	541	3315	528	446	070	243	899	3315	623	280	066	118	664
3315	437	442	216	362	468	3315	529	490	076	250	867	3315	624	369	081	160	783
3315	438	316	255	326	251	3315	530	504	083	191	883	3315	625	367	094	204	830
3315	439	155	181	270	994	3315	531	469	064	244	696	3315	626	373	109	089	899
3315	440	111	097	161	650	3315	532	499	113	220	190	3315	627	237	099	005	632
3315	441	130	073	120	881	3315	533	347	116	044	794	3315	628	150	058	000	384
3315	442	147	056	064	462	3315	534	217	148	339	731	3315	629	133	044	021	330
3315	443	216	048	027	474	3315	535	279	217	591	916	3315	630	154	039	011	298
3315	444	294	044	144	491	3315	536	758	120	392	146	3315	631	176	038	018	307
3315	445	368	050	182	567	3315	537	797	133	225	225	3315	632	260	043	126	438
3315	446	338	198	299	438	3315	538	547	107	290	980	3315	633	362	059	193	612
3315	447	289	199	317	303	3315	539	484	071	267	758	3315	634	326	118	344	888
3315	448	172	156	270	074	3315	540	536	157	206	456	3315	635	317	126	260	814
3315	449	127	122	210	811	3315	541	381	161	073	991	3315	636	166	083	080	601
3315	450	087	100	237	555	3315	542	224	182	274	040	3315	637	128	053	041	383
3315	451	090	086	216	515	3315	543	166	223	372	016	3315	638	137	042	023	351
3315	452	105	074	164	496	3315	544	762	120	349	183	3315	639	150	039	021	290
3315	453	114	068	145	399	3315	545	812	144	128	227	3315	640	182	041	046	343
3315	454	106	066	151	309	3315	546	824	147	159	279	3315	641	180	060	011	420
3315	455	130	059	130	363	3315	547	570	091	299	993	3315	642	276	109	684	028
3315	456	159	058	109	360	3315	548	522	096	225	871	3315	643	234	109	733	051
3315	457	191	059	025	379	3315	549	385	072	165	766	3315	644	248	123	723	086
3315	458	206	068	069	420	3315	550	584	120	242	987	3315	645	236	124	800	026
3315	459	120	062	125	388	3315	551	698	136	201	137	3315	646	162	119	621	127
3315	502	131	055	104	332	3315	552	802	118	408	296	3315	647	241	075	585	046
3315	503	104	086	192	537	3315	553	020	196	452	556	3315	648	245	089	660	022
3315	504	101	059	136	390	3315	554	841	186	249	464	3315	649	255	097	667	014
3315	505	081	128	461	540	3315	555	191	307	315	558	3315	650	235	093	826	054
3315	506	282	106	072	808	3315	601	633	130	296	108	3315	651	118	089	525	151
3315	507	469	051	310	751	3315	602	671	134	333	200	3315	652	246	083	651	057
3315	508	430	052	267	638	3315	603	631	117	293	132	3315	653	252	087	640	048
3315	509	446	052	287	655	3315	604	512	109	185	978	3315	654	253	094	753	054
3315	510	470	053	308	694	3315	605	525	112	232	071	3315	655	107	069	467	103
3315	511	458	053	267	636	3315	606	677	129	379	136	3315	701	477	100	261	223
3315	512	423	050	252	591	3315	607	705	143	413	201	3315	702	444	072	229	903
3315	513	445	053	260	601	3315	608	589	109	292	016	3315	703	414	058	228	687
3315	514	453	052	270	613	3315	609	534	105	209	995	3315	704	418	060	256	697
3315	515	455	049	337	646	3315	610	517	095	128	927	3315	705	443	067	258	794
3315	516	404	048	264	613	3315	611	696	146	297	224	3315	706	488	095	263	044
3315	517	411	049	270	613	3315	612	594	139	128	197	3315	707	436	071	233	736
3315	518	415	054	243	652	3315	613	543	119	174	032	3315	708	441	073	259	714
3315	519	426	058	217	756	3315	614	502	112	103	000	3315	709	524	119	258	402
3315	520	375	047	141	554	3315	615	706	179	353	468	3315	710	473	090	265	979
3315	521	393	049	213	555	3315	616	422	132	064	009	3315	711	443	083	226	962
3315	522	412	048	248	677	3315	617	304	140	103	938	3315	712	494	137	173	160
3315	523	362	044	208	507	3315	618	192	091	023	668	3315	713	457	068	177	708
3315	524	344	046	186	516	3315	619	162	069	012	602	3315	715	421	064	212	673
3315	525	435	088	142	769	3315	620	144	051	014	498	3315	716	414	074	139	765

APPENDIX A -- PRESSURE DATA:

MAIN PLACE HOTEL -- CONF. A -- DALLAS , TEXAS

WD	TAP	CPMEAN	CPRMS	CPMAX	CPMIN	WD	TAP	CPMEAN	CPRMS	CPMAX	CPMIN	WD	TAP	CPMEAN	CPRMS	CPMAX	CPMIN
330	717	.412	.080	.098	.699	330	19	.406	.050	.214	.613	330	69	.383	.044	.202	.332
330	718	.427	.067	.253	.717	330	20	.439	.055	.235	.725	330	70	.424	.044	.275	.333
330	719	.381	.086	.021	.677	330	21	.421	.052	.248	.599	330	71	.373	.043	.101	.334
330	720	.354	.089	.017	.753	330	22	.397	.064	.144	.615	330	72	.391	.045	.168	.335
330	721	.416	.090	.115	.847	330	23	.390	.058	.164	.631	330	73	.385	.045	.34	.336
330	722	.385	.087	.084	.686	330	24	.430	.057	.233	.688	330	74	.426	.046	.258	.337
330	723	.335	.080	.021	.699	330	25	.386	.053	.205	.613	330	75	.382	.044	.203	.338
330	724	.345	.095	.036	.696	330	26	.413	.052	.211	.622	330	76	.414	.044	.273	.339
330	725	.397	.070	.105	.713	330	27	.409	.053	.243	.693	330	77	.398	.051	.231	.340
330	726	.392	.073	.076	.721	330	28	.455	.054	.275	.761	330	78	.407	.049	.260	.341
330	727	.385	.072	.068	.762	330	29	.410	.050	.240	.662	330	79	.397	.050	.251	.342
330	728	.374	.069	.079	.683	330	30	.425	.053	.247	.713	330	80	.381	.052	.182	.343
330	729	.389	.074	.127	.687	330	31	.422	.049	.286	.650	330	81	.378	.054	.201	.344
330	730	.368	.091	.115	.736	330	32	.465	.050	.320	.713	330	82	.387	.049	.200	.345
330	731	.428	.066	.246	.750	330	33	.417	.047	.280	.636	330	83	.383	.046	.222	.346
330	732	.434	.078	.242	.861	330	34	.437	.047	.306	.622	330	84	.382	.046	.224	.347
330	733	.424	.071	.235	.860	330	35	.428	.048	.258	.633	330	85	.379	.043	.200	.348
330	734	.472	.092	.256	-1.118	330	36	.466	.048	.303	.638	330	86	.404	.042	.270	.349
330	735	.452	.084	.258	.898	330	37	.411	.046	.250	.587	330	87	.394	.040	.272	.350
330	736	.412	.083	.174	.741	330	38	.429	.048	.275	.622	330	88	.389	.038	.258	.351
330	737	.452	.119	.146	-1.513	330	39	.430	.067	.193	.666	330	89	.372	.037	.260	.352
330	738	.462	.107	.079	-1.060	330	40	.392	.067	.146	.645	330	90	.388	.038	.276	.353
330	739	.424	.081	.155	.733	330	41	.392	.060	.166	.609	330	91	.381	.037	.264	.354
330	740	.469	.161	.002	-1.573	330	42	.433	.060	.223	.646	330	92	.379	.038	.256	.355
330	741	.413	.093	.110	-1.081	330	43	.387	.055	.193	.589	330	93	.365	.038	.254	.356
330	742	.431	.072	.194	.806	330	44	.411	.054	.223	.627	330	94	.384	.039	.253	.357
330	743	.454	.161	.019	-1.714	330	45	.406	.055	.233	.623	330	95	.380	.039	.257	.358
330	744	.460	.123	.148	-1.280	330	46	.373	.055	.204	.611	330	96	.380	.041	.241	.359
330	745	.435	.095	.167	-1.064	330	47	.409	.054	.257	.669	330	97	.367	.041	.231	.360
330	746	.437	.088	.209	.870	330	48	.433	.055	.282	.672	330	98	.390	.042	.243	.361
330	747	.450	.084	.237	.950	330	49	.422	.058	.284	.669	330	99	.392	.038	.266	.362
330	748	.425	.075	.205	.817	330	50	.468	.060	.315	.681	330	100	.405	.044	.266	.363
330	1	.390	.064	.178	.679	330	51	.419	.055	.280	.634	330	101	.383	.042	.209	.364
330	2	.436	.068	.205	.781	330	52	.444	.057	.297	.684	330	102	.400	.043	.226	.365
330	3	.374	.063	.165	.634	330	53	.425	.049	.260	.614	330	103	.395	.044	.226	.366
330	4	.397	.061	.206	.632	330	54	.468	.049	.310	.713	330	104	.391	.052	.184	.367
330	5	.386	.062	.166	.638	330	55	.408	.044	.254	.627	330	105	.372	.051	.230	.368
330	6	.425	.062	.218	.721	330	56	.424	.047	.261	.665	330	106	.395	.062	.175	.369
330	7	.385	.057	.196	.690	330	57	.414	.046	.265	.630	330	107	.402	.066	.184	.370
330	8	.418	.058	.232	.656	330	58	.461	.049	.303	.653	330	108	.395	.054	.201	.371
330	9	.414	.057	.164	.893	330	59	.402	.047	.247	.596	330	109	.378	.050	.203	.372
330	10	.455	.057	.228	.904	330	60	.400	.058	.215	.613	330	110	.399	.047	.234	.373
330	11	.406	.054	.186	.775	330	61	.392	.053	.219	.582	330	111	.399	.045	.260	.374
330	12	.430	.053	.251	.771	330	62	.433	.052	.220	.623	330	112	.407	.045	.253	.375
330	13	.430	.055	.253	.616	330	63	.399	.049	.245	.617	330	113	.383	.041	.243	.376
330	14	.469	.056	.295	.676	330	64	.407	.045	.256	.565	330	114	.402	.037	.266	.377
330	15	.419	.052	.250	.608	330	65	.382	.041	.219	.522	330	115	.395	.038	.255	.378
330	16	.442	.052	.261	.627	330	66	.422	.041	.255	.553	330	116	.390	.040	.264	.379
330	17	.422	.050	.238	.699	330	67	.366	.039	.217	.502	330	117	.370	.040	.250	.380
330	18	.458	.052	.280	.648	330	68	.353	.036	.256	.500	330	118	.388	.037	.264	.381

APPENDIX A -- PRESSURE DATA:

MAIN PLACE HOTEL -- CONF. A -- DALLAS , TEXAS

WD	TAP	CPNEAN	CPRMS	CPMAX	CPMIN	WD	TAP	CPNEAN	CPRMS	CPMAX	CPMIN	WD	TAP	CPNEAN	CPRMS	CPMAX	CPMIN
3330	119	.384	.040	.253	.528	3330	169	.402	.053	.206	.619	3330	303	.307	.139	.739	.120
3330	120	.387	.038	.264	.515	3330	170	.422	.050	.290	.597	3330	304	.321	.142	.837	.101
3330	121	.372	.039	.252	.508	3330	171	.423	.049	.291	.575	3330	305	.307	.137	.681	.117
3330	122	.392	.035	.291	.504	3330	172	.430	.052	.289	.604	3330	306	.320	.134	.703	.115
3330	123	.387	.039	.253	.534	3330	173	.425	.053	.280	.617	3330	307	.370	.154	.840	.044
3330	124	.385	.041	.247	.545	3330	174	.429	.053	.276	.643	3330	308	.456	.172	1.001	.009
3330	125	.375	.042	.235	.523	3330	175	.429	.059	.256	.709	3330	309	.446	.178	.950	.124
3330	126	.410	.032	.312	.534	3330	176	.428	.063	.183	.635	3330	310	.281	.157	.763	.260
3330	127	.399	.046	.247	.648	3330	177	.411	.071	.092	.661	3330	311	.164	.103	.512	.171
3330	128	.392	.050	.222	.712	3330	178	.439	.076	.221	.788	3330	312	.343	.129	.727	.072
3330	129	.378	.052	.214	.736	3330	179	.429	.077	.178	.826	3330	313	.395	.138	.813	.030
3330	130	.402	.032	.268	.549	3330	180	.431	.077	.167	.914	3330	314	.430	.140	.838	.019
3330	131	.389	.053	.236	-1.007	3330	181	.420	.080	.131	.984	3330	315	.467	.140	.845	.039
3330	132	.434	.067	.222	.752	3330	182	.436	.094	.177	-1.150	3330	316	.487	.146	.878	.047
3330	133	.444	.063	.271	.705	3330	183	.426	.101	.203	-1.507	3330	317	.513	.152	.967	.084
3330	134	.436	.065	.196	.772	3330	184	.437	.058	.263	.665	3330	318	.523	.157	1.057	.060
3330	135	.422	.058	.186	.705	3330	185	.431	.060	.257	.688	3330	319	.482	.153	1.032	.004
3330	136	.407	.056	.241	.682	3330	186	.434	.063	.230	.737	3330	320	.258	.144	.761	.170
3330	137	.392	.051	.237	.643	3330	187	.436	.067	.240	.713	3330	321	.138	.112	.507	.224
3330	138	.416	.047	.253	.597	3330	188	.444	.074	.242	.820	3330	322	.320	.110	.651	.000
3330	139	.407	.045	.266	.559	3330	189	.446	.066	.179	.730	3330	323	.387	.117	.743	.065
3330	140	.408	.047	.264	.657	3330	190	.447	.067	.221	.769	3330	324	.435	.122	.820	.092
3330	141	.391	.044	.258	.575	3330	191	.440	.063	.231	.681	3330	325	.484	.131	.872	.117
3330	142	.409	.044	.279	.580	3330	192	.441	.070	.162	.755	3330	326	.512	.145	.997	.103
3330	143	.397	.043	.249	.566	3330	193	.441	.074	.193	.840	3330	327	.524	.145	1.000	.114
3330	144	.391	.043	.264	.539	3330	194	.391	.101	.074	.781	3330	328	.495	.145	.944	.087
3330	145	.377	.041	.248	.525	3330	195	.511	.086	.180	.838	3330	329	.425	.145	.850	.009
3330	146	.401	.044	.262	.559	3330	196	.466	.094	.136	.900	3330	330	.203	.149	.769	.299
3330	147	.395	.045	.211	.566	3330	197	.425	.075	.170	.730	3330	331	.084	.101	.518	.212
3330	148	.390	.044	.207	.564	3330	198	.408	.067	.159	.664	3330	332	.249	.108	.701	.017
3330	149	.373	.039	.224	.520	3330	199	.375	.065	.111	.663	3330	333	.296	.111	.738	.032
3330	150	.393	.048	.203	.580	3330	200	.485	.089	.212	.917	3330	334	.322	.116	.761	.028
3330	151	.391	.049	.175	.583	3330	201	.447	.090	.192	.976	3330	335	.383	.124	.838	.067
3330	152	.438	.074	.209	.889	3330	202	.474	.086	.164	.896	3330	336	.428	.135	.908	.083
3330	153	.415	.073	.188	.945	3330	203	.467	.092	.235	-1.115	3330	337	.451	.146	.958	.078
3330	154	.416	.081	.143	-1.145	3330	204	.489	.091	.277	.975	3330	338	.492	.146	1.032	.034
3330	155	.414	.086	.157	-1.219	3330	205	.472	.094	.246	.971	3330	339	.429	.145	.927	.024
3330	156	.439	.108	.127	-1.241	3330	206	.360	.105	.000	.721	3330	340	.354	.141	.931	.079
3330	157	.416	.111	.209	-1.386	3330	207	.342	.086	.092	.720	3330	341	.092	.083	.505	.365
3330	158	.527	.143	.138	-1.216	3330	208	.381	.075	.122	.705	3330	342	.055	.063	.385	.122
3330	159	.479	.085	.205	.884	3330	209	.359	.071	.142	.675	3330	343	.113	.061	.391	.078
3330	160	.486	.090	.205	.858	3330	210	.351	.064	.138	.652	3330	344	.158	.064	.428	.015
3330	161	.454	.074	.177	.842	3330	211	.346	.072	.111	.725	3330	345	.226	.081	.531	.009
3330	162	.438	.061	.226	.693	3330	212	.458	.091	.179	.903	3330	346	.338	.098	.660	.039
3330	163	.438	.057	.242	.642	3330	213	.457	.086	.179	.909	3330	347	.422	.124	.868	.076
3330	164	.441	.059	.268	.787	3330	214	.453	.091	.182	.968	3330	348	.437	.137	.955	.051
3330	165	.433	.059	.268	.707	3330	215	.449	.098	.169	.907	3330	349	.370	.134	.829	.028
3330	166	.436	.060	.272	.809	3330	216	.455	.107	.169	.971	3330	350	.160	.132	.664	.219
3330	167	.429	.054	.291	.711	3330	301	.124	.116	.498	.209	3330	351	.069	.082	.521	.315
3330	168	.433	.052	.291	.639	3330	302	.253	.133	.758	.173	3330	352	.052	.068	.352	.147

APPENDIX A -- PRESSURE DATA:

MAIN PLACE HOTEL -- CONF. A -- DALLAS , TEXAS

WD	TAP	CP	MEAN	CPRMS	CPMAX	CPMIN	WD	TAP	CP	MEAN	CPRMS	CPMAX	CPMIN	WD	TAP	CP	MEAN	CPRMS	CPMAX	CPMIN
3300	353	083	062	332	110	330	428	810	167	393	633	330	520	384	046	221	548			
3300	354	108	058	389	082	330	429	838	191	204	092	330	521	397	046	231	575			
3300	355	142	059	410	060	330	430	669	253	042	507	330	522	414	045	265	570			
3300	356	203	078	511	013	330	431	472	250	060	315	330	523	381	043	197	522			
3300	357	272	109	662	004	330	432	370	182	016	165	330	524	381	044	171	530			
3300	358	371	123	812	021	330	433	349	151	058	142	330	525	475	109	081	844			
3300	359	388	123	914	043	330	434	321	109	019	892	330	526	508	152	014	188			
3300	360	172	096	556	021	330	435	355	083	058	831	330	527	809	150	334	404			
3300	361	078	078	244	033	330	436	400	066	098	05	330	528	464	064	256	723			
3300	362	047	062	344	133	330	437	818	196	223	916	330	529	479	075	244	801			
3300	363	078	057	307	111	330	438	767	213	026	332	330	530	480	073	264	807			
3300	364	090	054	300	083	330	439	648	246	030	567	330	531	455	069	180	718			
3300	365	101	053	278	045	330	440	491	212	042	237	330	532	478	125	133	054			
3300	366	143	057	387	045	330	441	401	163	000	182	330	533	297	099	050	732			
3300	367	194	074	566	022	330	442	322	110	044	050	330	534	436	139	024	982			
3300	368	213	084	607	022	330	443	341	084	025	933	330	535	655	105	318	003			
3300	369	186	069	211	488	330	444	376	068	158	756	330	536	770	128	376	186			
3300	370	039	074	374	269	330	445	423	068	232	770	330	537	809	141	376	416			
3300	371	078	072	467	112	330	446	757	232	253	786	330	538	474	086	182	886			
3300	372	136	072	452	044	330	447	748	229	145	823	330	539	450	073	216	794			
3300	373	143	055	460	033	330	448	588	207	007	410	330	540	477	113	128	087			
3300	374	138	055	355	044	330	449	492	163	030	287	330	541	315	122	088	773			
3300	375	140	054	363	050	330	450	391	145	002	217	330	542	474	143	089	080			
3300	401	812	166	347	671	330	451	351	128	009	962	330	543	705	120	327	337			
3300	402	836	172	309	688	330	452	328	111	014	921	330	544	754	135	359	334			
3300	403	596	225	041	111	330	453	314	112	087	887	330	545	855	172	175	514			
3300	404	360	184	043	299	330	454	268	097	044	799	330	546	800	187	031	371			
3300	405	243	120	070	916	330	455	265	089	025	706	330	547	633	117	263	041			
3300	406	204	079	037	654	330	456	273	085	021	730	330	548	572	100	251	957			
3300	407	271	063	083	554	330	457	269	074	033	660	330	549	472	109	179	911			
3300	408	308	053	147	559	330	458	244	069	007	520	330	550	666	115	341	169			
3300	409	349	054	070	571	330	501	263	080	032	942	330	551	742	117	363	221			
3300	410	837	147	385	549	330	502	225	050	070	402	330	552	777	119	398	215			
3300	411	877	158	196	874	330	503	378	136	044	044	330	553	745	104	383	177			
3300	412	715	224	072	333	330	504	234	058	009	541	330	554	768	121	403	503			
3300	413	444	224	037	199	330	505	432	131	083	942	330	555	726	107	410	143			
3300	414	272	142	053	444	330	506	482	103	114	942	330	601	570	106	169	979			
3300	415	233	087	067	801	330	507	452	059	271	681	330	602	546	101	220	016			
3300	416	261	062	035	622	330	508	422	060	246	645	330	603	549	106	154	869			
3300	417	306	055	033	744	330	509	432	057	256	642	330	604	447	110	118	916			
3300	418	330	054	109	833	330	510	444	057	284	655	330	605	446	105	106	878			
3300	419	795	131	402	111	330	511	452	062	297	701	330	606	555	096	227	949			
3300	420	831	144	258	600	330	512	422	061	260	701	330	607	593	099	276	025			
3300	421	761	236	005	570	330	513	438	060	286	725	330	608	536	111	156	941			
3300	422	519	262	114	117	330	514	443	059	277	714	330	609	484	126	046	916			
3300	423	381	205	051	108	330	515	453	049	295	622	330	610	420	120	091	808			
3300	424	314	137	047	853	330	516	399	047	216	562	330	611	588	103	247	915			
3300	425	314	101	033	336	330	517	414	045	265	593	330	612	527	117	140	944			
3300	426	309	073	042	668	330	518	424	048	305	609	330	613	463	131	002	856			
3300	427	362	058	125	768	330	519	425	051	250	669	330	614	381	123	005	851			

APPENDIX A -- PRESSURE DATA:

MAIN PLACE HOTEL -- CONF. A -- DALLAS , TEXAS

WD	TAP	CPMEAN	CPRMS	CPMAX	CPMIN	WD	TAP	CPMEAN	CPRMS	CPMAX	CPMIN	WD	TAP	CPMEAN	CPRMS	CPMAX	CPMIN
3300	615	.552	.112	.182	-1.015	3300	710	.475	.101	.238	-1.983	345	13	.433	.060	.252	-1.695
3300	616	.573	.101	.237	-1.328	3300	711	.441	.098	.167	-1.294	345	14	.479	.061	.304	-1.726
3300	617	.519	.132	.058	-1.056	3300	712	.462	.141	.164	-1.500	345	15	.427	.057	.269	-1.645
3300	618	.362	.113	.132	-.921	3300	713	.444	.072	.207	-1.742	345	16	.449	.057	.283	-1.706
3300	619	.291	.082	.094	-.735	3300	715	.388	.063	.160	-1.647	345	17	.431	.058	.252	-1.666
3300	620	.239	.056	.090	-.550	3300	716	.307	.072	.076	-1.582	345	18	.472	.062	.284	-1.744
3300	621	.230	.051	.080	-.555	3300	717	.345	.062	.150	-1.599	345	19	.419	.060	.255	-1.692
3300	622	.254	.048	.108	-.505	3300	718	.400	.071	.211	-1.737	345	20	.460	.064	.269	-1.761
3300	623	.315	.054	.168	-.511	3300	719	.288	.075	.032	-1.587	345	21	.433	.063	.235	-1.688
3300	624	.366	.071	.135	-.768	3300	720	.339	.075	.049	-1.673	345	22	.454	.102	.185	-1.280
3300	625	.531	.113	.007	-1.099	3300	721	.404	.091	.155	-1.823	345	23	.421	.096	.158	-1.230
3300	626	.534	.129	.033	-1.199	3300	722	.301	.071	.052	-1.570	345	24	.465	.092	.204	-1.179
3300	627	.374	.126	.077	-.823	3300	723	.330	.076	.090	-1.710	345	25	.417	.082	.147	-1.978
3300	628	.260	.074	.062	-.624	3300	724	.356	.095	.069	-1.901	345	26	.442	.076	.187	-1.872
3300	629	.220	.058	.012	-.468	3300	725	.332	.057	.131	-1.525	345	27	.410	.065	.149	-1.789
3300	630	.230	.049	.050	-.428	3300	726	.313	.059	.096	-1.516	345	28	.460	.066	.211	-1.812
3300	631	.242	.046	.065	-.401	3300	727	.363	.078	.160	-1.754	345	29	.414	.062	.191	-1.742
3300	632	.299	.045	.107	-.555	3300	728	.322	.075	.145	-1.719	345	30	.462	.063	.245	-1.680
3300	633	.367	.056	.174	-.558	3300	729	.386	.087	.123	-1.764	345	31	.432	.060	.259	-1.683
3300	634	.530	.148	.022	-1.288	3300	730	.369	.093	.063	-1.788	345	32	.482	.061	.239	-1.762
3300	635	.507	.160	.050	-1.143	3300	731	.449	.089	.187	-1.917	345	33	.431	.058	.239	-1.683
3300	636	.263	.091	.017	-.752	3300	732	.443	.090	.194	-1.953	345	34	.452	.058	.262	-1.692
3300	637	.230	.062	.002	-.588	3300	733	.437	.088	.174	-1.898	345	35	.429	.058	.216	-1.693
3300	638	.233	.049	.053	-.554	3300	734	.468	.102	.212	-1.993	345	36	.470	.059	.264	-1.736
3300	639	.226	.044	.062	-.403	3300	735	.453	.097	.192	-1.674	345	37	.416	.057	.227	-1.664
3300	640	.248	.044	.078	-.465	3300	736	.437	.090	.208	-1.984	345	38	.435	.059	.233	-1.701
3300	641	.234	.060	.053	-.441	3300	737	.420	.123	.082	-1.399	345	39	.512	.128	.133	-1.377
3300	642	.285	.137	.899	-.067	3300	738	.447	.116	.155	-1.232	345	40	.471	.114	.168	-1.250
3300	643	.206	.121	.768	-.082	3300	739	.441	.091	.216	-1.941	345	41	.416	.094	.146	-1.971
3300	644	.166	.112	.668	-.165	3300	740	.432	.153	.074	-1.625	345	42	.458	.089	.189	-1.973
3300	645	.164	.109	.612	-.238	3300	741	.408	.107	.007	-1.078	345	43	.405	.076	.180	-1.818
3300	646	.072	.112	.618	-.218	3300	742	.441	.094	.042	-1.944	345	44	.430	.071	.180	-1.795
3300	647	.164	.070	.444	-.022	3300	743	.423	.146	.047	-1.333	345	45	.418	.068	.221	-1.839
3300	648	.142	.068	.490	-.033	3300	744	.426	.127	.025	-1.300	345	46	.411	.075	.190	-1.805
3300	649	.157	.080	.541	-.055	3300	745	.412	.103	.109	-1.028	345	47	.422	.066	.227	-1.867
3300	650	.174	.088	.664	-.058	3300	746	.429	.104	.103	-1.193	345	48	.448	.068	.235	-1.078
3300	651	.054	.098	.511	-.060	3300	747	.442	.105	.145	-1.257	345	49	.443	.067	.254	-1.792
3300	652	.205	.077	.591	-.005	3300	748	.422	.088	.194	-1.863	345	50	.494	.068	.314	-1.738
3300	653	.192	.069	.546	-.000	345	1	.454	.112	.158	-1.091	345	51	.443	.063	.281	-1.888
3300	654	.183	.079	.674	-.003	345	2	.518	.111	.181	-1.214	345	52	.466	.063	.305	-1.704
3300	655	.034	.072	.412	-.177	345	3	.420	.102	.069	-1.172	345	53	.442	.064	.256	-1.700
3300	701	.534	.138	.278	-1.454	345	4	.438	.097	.089	-1.042	345	54	.480	.063	.302	-1.744
3300	702	.459	.072	.273	-.784	345	5	.419	.092	.158	-1.892	345	55	.417	.056	.260	-1.626
3300	703	.400	.064	.177	-.676	345	6	.469	.089	.214	-1.887	345	56	.433	.060	.262	-1.670
3300	704	.402	.069	.201	-.746	345	7	.422	.078	.168	-1.804	345	57	.408	.059	.213	-1.753
3300	705	.436	.080	.227	-.922	345	8	.450	.077	.207	-1.809	345	58	.461	.062	.264	-1.845
3300	706	.497	.099	.241	-1.052	345	9	.426	.073	.192	-1.918	345	59	.403	.056	.210	-1.718
3300	707	.445	.080	.245	-.853	345	10	.477	.072	.254	-1.935	345	60	.429	.087	.151	-1.814
3300	708	.434	.076	.184	-.761	345	11	.429	.066	.234	-1.761	345	61	.421	.064	.237	-1.676
3300	709	.529	.114	.266	-1.183	345	12	.456	.065	.267	-1.737	345	62	.433	.062	.246	-1.643

APPENDIX A -- PRESSURE DATA:

MAIN PLACE HOTEL -- CONF. A -- DALLAS , TEXAS

WD	TAP	CPMEAN	CPRMS	CPMAX	CPMIN	WD	TAP	CPMEAN	CPRMS	CPMAX	CPMIN	WD	TAP	CPMEAN	CPRMS	CPMAX	CPMIN
345	63	399	.050	227	607	345	113	382	.050	214	559	345	163	436	.065	233	696
345	64	128	.213	048	543	345	114	402	.044	264	559	345	164	454	.076	254	960
345	65	386	.045	209	547	345	115	394	.046	240	547	345	165	446	.072	250	863
345	66	430	.045	259	573	345	116	391	.046	223	564	345	166	449	.069	249	817
345	67	377	.043	222	525	345	117	368	.046	204	533	345	167	440	.061	228	729
345	68	397	.039	271	528	345	118	387	.040	260	515	345	168	444	.059	237	696
345	69	384	.045	233	549	345	119	384	.047	210	543	345	169	419	.066	227	748
345	70	431	.046	276	598	345	120	372	.041	236	534	345	170	430	.055	233	671
345	71	379	.045	225	541	345	121	354	.042	199	500	345	171	438	.055	282	616
345	72	400	.046	243	560	345	122	373	.036	251	474	345	172	449	.059	276	650
345	73	393	.050	225	604	345	123	367	.045	218	497	345	173	442	.059	269	673
345	74	439	.052	264	651	345	124	383	.051	210	558	345	174	445	.059	271	678
345	75	395	.051	220	612	345	125	378	.053	186	613	345	175	430	.063	261	668
345	76	437	.055	257	668	345	126	435	.032	323	548	345	176	427	.070	209	758
345	77	429	.062	262	689	345	127	416	.066	218	904	345	177	412	.080	131	788
345	78	437	.059	251	678	345	128	413	.073	197	1023	345	178	448	.104	195	1149
345	79	423	.060	234	657	345	129	397	.079	134	014	345	179	451	.110	141	1054
345	80	437	.085	203	666	345	130	432	.050	344	619	345	180	459	.112	175	1080
345	81	430	.089	201	849	345	131	413	.078	208	1023	345	181	461	.121	136	1115
345	82	411	.066	206	702	345	132	503	.130	186	1055	345	182	535	.149	179	1203
345	83	400	.059	210	625	345	133	519	.101	310	827	345	183	573	.218	193	1738
345	84	382	.051	203	584	345	134	457	.101	188	124	345	184	428	.063	245	662
345	85	369	.048	197	546	345	135	427	.080	208	941	345	185	423	.063	224	652
345	86	397	.045	219	563	345	136	407	.067	205	765	345	186	430	.061	228	675
345	87	387	.041	231	500	345	137	395	.057	232	611	345	187	441	.081	136	739
345	88	402	.045	275	608	345	138	434	.062	258	676	345	188	452	.093	142	880
345	89	386	.045	251	665	345	139	425	.058	262	644	345	189	436	.070	227	711
345	90	405	.045	266	587	345	140	420	.053	249	614	345	190	441	.071	224	704
345	91	396	.046	262	567	345	141	404	.050	178	567	345	191	439	.069	219	673
345	92	376	.042	212	528	345	142	424	.051	173	591	345	192	448	.076	223	880
345	93	363	.042	204	513	345	143	404	.050	167	580	345	193	446	.083	164	786
345	94	385	.043	227	543	345	144	402	.052	266	599	345	194	333	.065	085	628
345	95	381	.044	225	530	345	145	389	.048	258	570	345	195	451	.089	182	779
345	96	369	.043	233	536	345	146	416	.053	271	619	345	196	469	.105	125	1077
345	97	356	.043	210	537	345	147	408	.054	227	631	345	197	416	.075	187	814
345	98	382	.046	234	606	345	148	381	.053	205	603	345	198	401	.062	198	758
345	99	386	.043	260	586	345	149	359	.038	256	483	345	199	362	.060	183	619
345	100	405	.058	249	700	345	150	381	.058	175	624	345	200	459	.092	221	1039
345	101	380	.054	220	682	345	151	388	.066	186	673	345	201	453	.096	199	1015
345	102	399	.056	245	734	345	152	484	.115	154	235	345	202	459	.094	160	843
345	103	393	.058	216	759	345	153	459	.114	096	165	345	203	472	.098	233	929
345	104	397	.060	201	675	345	154	464	.126	106	304	345	204	517	.109	226	998
345	105	372	.057	180	622	345	155	466	.146	099	621	345	205	514	.137	224	1340
345	106	455	.089	160	868	345	156	538	.171	053	636	345	206	305	.078	111	617
345	107	465	.095	188	915	345	157	550	.195	150	581	345	207	324	.075	061	644
345	108	412	.075	192	800	345	158	485	.167	061	497	345	208	372	.086	118	849
345	109	385	.066	195	721	345	159	441	.087	099	781	345	209	362	.082	110	889
345	110	402	.059	234	689	345	160	498	.105	214	945	345	210	360	.075	125	753
345	111	399	.055	218	647	345	161	453	.082	232	837	345	211	370	.069	134	736
345	112	404	.054	244	666	345	162	441	.068	266	805	345	212	466	.096	175	1106

APPENDIX A -- PRESSURE DATA:

MAIN PLACE HOTEL -- CONF. A -- DALLAS, TEXAS

WD	TAP	CPMEAN	CPRMS	CPMAX	CPMIN	WD	TAP	CPMEAN	CPRMS	CPMAX	CPMIN	WD	TAP	CPMEAN	CPRMS	CPMAX	CPMIN
345	213	.457	.089	.164	.931	345	347	.323	.119	.759	.007	345	422	.825	.161	.285	-1.606
345	214	.461	.097	.172	.956	345	348	.327	.142	.818	-.042	345	423	.759	.174	-.082	-1.429
345	215	.440	.095	.153	-1.021	345	349	.260	.150	.753	-.159	345	424	.649	.172	-.021	-1.297
345	216	.459	.107	.113	-1.029	345	350	.029	.143	.459	-.439	345	425	.579	.165	.016	-1.172
345	301	.268	.132	.653	.166	345	351	.050	.203	.668	-.648	345	426	.484	.142	-.025	-1.033
345	302	.351	.149	.781	.078	345	352	.000	.135	.579	-.465	345	427	.472	.128	-.039	-1.993
345	303	.396	.151	.804	.080	345	353	.019	.098	.481	-.538	345	428	.867	.144	-.469	-1.592
345	304	.391	.150	.813	.029	345	354	.066	.066	.335	-.216	345	429	.886	.143	.453	-1.622
345	305	.351	.141	.741	.040	345	355	.102	.060	.330	-.089	345	430	.886	.162	.269	-1.668
345	306	.349	.135	.758	.078	345	356	.145	.063	.379	-.037	345	431	.864	.190	.136	-1.826
345	307	.350	.149	.849	.075	345	357	.193	.101	.665	.071	345	432	.774	.196	.151	-1.378
345	308	.385	.160	.847	.048	345	358	.254	.120	.734	-.029	345	433	.613	.189	-.030	-1.395
345	309	.331	.158	.837	.126	345	359	.305	.134	.848	-.027	345	434	.506	.161	.059	-1.100
345	310	.099	.137	.520	.331	345	360	.058	.103	.493	-.272	345	435	.476	.138	.041	-.982
345	311	.298	.128	.699	.111	345	361	.123	.113	.381	-.578	345	436	.465	.110	.126	-.968
345	312	.460	.147	.888	.033	345	362	.002	.084	.335	.415	345	437	.976	.174	.517	-1.930
345	313	.500	.152	.944	.073	345	363	.053	.071	.298	-.276	345	438	.953	.178	.431	-1.846
345	314	.528	.156	.070	.095	345	364	.082	.067	.364	.184	345	439	.934	.202	.281	-1.858
345	315	.537	.152	.033	.109	345	365	.109	.071	.399	-.082	345	440	.772	.221	.137	-1.489
345	316	.527	.154	.008	.107	345	366	.134	.074	.410	-.181	345	441	.609	.197	.080	-1.367
345	317	.521	.155	.970	.069	345	367	.140	.070	.441	-.111	345	442	.460	.154	.027	-1.141
345	318	.484	.158	.006	.053	345	368	.137	.071	.467	.125	345	443	.439	.126	.111	-1.123
345	319	.405	.150	.848	.000	345	369	.162	.084	.233	.576	345	444	.434	.096	.151	-.926
345	320	.090	.129	.487	.320	345	370	.008	.106	.428	-.326	345	445	.450	.089	.172	-.980
345	321	.260	.132	.696	.115	345	371	.137	.125	.748	-.205	345	446	.034	.277	.486	-2.619
345	322	.429	.144	.884	.033	345	372	.195	.130	.890	.140	345	447	.998	.239	.454	-2.005
345	323	.482	.150	.917	.062	345	373	.195	.116	.815	-.080	345	448	.744	.191	.135	-1.480
345	324	.510	.153	.962	.085	345	374	.187	.116	.715	-.062	345	449	.632	.175	.016	-1.337
345	325	.527	.155	.975	.111	345	375	.167	.105	.753	-.040	345	450	.507	.148	.087	-1.068
345	326	.559	.154	.001	.146	345	401	.811	.107	.456	-1.203	345	451	.451	.128	.059	-.907
345	327	.545	.153	.049	.094	345	402	.834	.112	.505	-.369	345	452	.412	.111	.066	-.890
345	328	.468	.146	.923	.031	345	403	.841	.140	.379	-1.519	345	453	.367	.093	.060	-.811
345	329	.364	.137	.826	.053	345	404	.799	.156	.240	-1.489	345	454	.317	.083	.034	-.753
345	330	.036	.123	.454	.344	345	405	.711	.201	.042	-1.696	345	455	.306	.077	.052	-.680
345	331	.235	.140	.764	.252	345	406	.606	.210	.016	-1.805	345	456	.304	.073	.050	-.645
345	332	.375	.146	.888	.103	345	407	.574	.208	.043	-1.440	345	457	.280	.067	.007	-.620
345	333	.404	.146	.910	.024	345	408	.500	.170	.039	-1.240	345	458	.250	.062	.014	-.470
345	334	.415	.144	.913	.084	345	409	.458	.148	.044	-1.188	345	459	.304	.064	.107	-.669
345	335	.437	.141	.953	.100	345	410	.822	.117	.392	-1.335	345	501	.259	.057	.080	-.462
345	336	.448	.144	.978	.092	345	411	.854	.119	.424	-1.452	345	502	.475	.111	.074	-1.013
345	337	.446	.152	.964	.033	345	412	.882	.130	.400	-1.448	345	503	.326	.068	.089	-.680
345	338	.428	.145	.931	.020	345	413	.864	.154	.306	-1.409	345	504	.599	.125	.138	-1.059
345	339	.349	.140	.875	.154	345	414	.731	.172	.192	-1.300	345	505	.629	.132	.130	-1.256
345	340	.253	.146	.828	.212	345	415	.620	.180	.059	-1.331	345	506	.458	.062	.264	-.676
345	341	.071	.187	.751	.445	345	416	.540	.159	.066	-1.258	345	507	.434	.063	.233	-.700
345	342	.159	.141	.704	.203	345	417	.466	.134	.005	-1.218	345	508	.447	.061	.263	-.637
345	343	.175	.116	.655	.127	345	418	.408	.117	.043	-1.157	345	509	.458	.067	.270	-.718
345	344	.186	.095	.570	.070	345	419	.780	.114	.413	-1.629	345	510	.452	.065	.218	-.699
345	345	.213	.081	.478	.004	345	420	.813	.117	.439	-1.585	345	511	.427	.063	.210	-.689
345	346	.267	.092	.573	.002	345	421	.872	.148	.301	-1.602	345	512	.446	.064	.250	-.735
345						345						345	513				

APPENDIX A -- PRESSURE DATA:

MAIN PLACE HOTEL -- CONF. A -- DALLAS , TEXAS

WD	TAP	CPMEAN	CPRMS	CPMAX	CPMIN	WD	TAP	CPMEAN	CPRMS	CPMAX	CPMIN	WD	TAP	CPMEAN	CPRMS	CPMAX	CPMIN
445	514	.445	.062	.226	.668	345	607	.405	.094	.144	.876	345	655	.039	.103	.313	.332
445	515	.454	.059	.290	.669	345	608	.374	.097	.077	.002	345	701	.536	.135	.230	.171
445	516	.409	.052	.217	.669	345	609	.315	.089	.020	.704	345	702	.440	.079	.246	.788
445	517	.426	.051	.261	.608	345	610	.323	.068	.061	.641	345	703	.395	.068	.208	.665
445	518	.430	.052	.263	.613	345	611	.414	.096	.161	.023	345	704	.396	.074	.168	.666
445	519	.438	.067	.253	.608	345	612	.382	.098	.065	.748	345	705	.422	.083	.154	.773
445	520	.391	.055	.178	.555	345	613	.311	.089	.022	.638	345	706	.485	.104	.251	.051
445	521	.406	.055	.200	.599	345	614	.297	.074	.027	.586	345	707	.421	.079	.222	.869
445	522	.420	.054	.236	.622	345	615	.383	.090	.132	.708	345	708	.414	.087	.180	.841
445	523	.392	.049	.215	.584	345	616	.637	.105	.333	.289	345	709	.480	.108	.130	.095
445	524	.387	.049	.191	.586	345	617	.629	.128	.232	.444	345	710	.440	.091	.211	.876
445	525	.384	.163	.168	.994	345	618	.469	.125	.102	.130	345	711	.436	.104	.169	.070
445	526	.816	.165	.295	.799	345	619	.349	.084	.107	.847	345	712	.433	.111	.140	.962
445	527	.948	.161	.350	.434	345	620	.283	.056	.075	.514	345	713	.424	.075	.199	.680
445	528	.488	.074	.271	.335	345	621	.256	.051	.042	.481	345	715	.397	.064	.211	.660
445	529	.498	.112	.075	.000	345	622	.272	.047	.085	.496	345	716	.297	.064	.090	.642
445	530	.496	.086	.234	.991	345	623	.282	.050	.117	.500	345	717	.370	.061	.095	.626
445	531	.457	.093	.128	.888	345	624	.292	.060	.089	.562	345	718	.411	.072	.199	.684
445	532	.470	.147	.000	.199	345	625	.233	.124	.249	.282	345	719	.293	.068	.056	.567
445	533	.560	.147	.114	.224	345	626	.659	.135	.199	.220	345	720	.360	.073	.121	.697
445	534	.783	.140	.088	.885	345	627	.462	.130	.090	.003	345	721	.406	.083	.123	.870
445	535	.797	.113	.461	.183	345	628	.313	.081	.012	.724	345	722	.305	.066	.076	.597
445	536	.873	.141	.403	.111	345	629	.253	.063	.020	.591	345	723	.354	.070	.145	.646
445	537	.892	.158	.347	.333	345	630	.263	.054	.019	.564	345	724	.367	.079	.147	.967
445	538	.487	.088	.212	.959	345	631	.264	.047	.088	.456	345	725	.334	.058	.140	.602
445	539	.495	.107	.183	.267	345	632	.266	.045	.116	.451	345	726	.312	.058	.135	.580
445	540	.501	.141	.059	.490	345	633	.283	.058	.100	.496	345	727	.383	.084	.173	.915
445	541	.709	.198	.134	.143	345	634	.629	.196	.172	.623	345	728	.367	.072	.128	.716
445	542	.840	.149	.098	.422	345	635	.603	.194	.164	.821	345	729	.382	.075	.130	.714
445	543	.840	.128	.396	.388	345	636	.336	.108	.043	.966	345	730	.368	.078	.089	.693
445	544	.850	.138	.239	.261	345	637	.262	.072	.022	.718	345	731	.441	.092	.118	.859
445	545	.992	.178	.447	.594	345	638	.267	.057	.066	.612	345	732	.428	.103	.173	.969
445	546	.610	.256	.215	.111	345	639	.262	.048	.068	.439	345	733	.425	.092	.161	.950
445	547	.648	.129	.205	.168	345	640	.257	.045	.111	.415	345	734	.443	.102	.109	.936
445	548	.671	.126	.271	.153	345	641	.225	.054	.029	.481	345	735	.434	.101	.211	.011
445	549	.591	.131	.170	.101	345	642	.149	.149	.826	.447	345	736	.411	.085	.157	.742
445	550	.901	.158	.437	.501	345	643	.082	.129	.581	.344	345	737	.404	.103	.098	.016
445	551	.986	.158	.514	.526	345	644	.089	.137	.827	.277	345	738	.417	.094	.149	.005
445	552	.948	.138	.515	.222	345	645	.122	.156	.739	.268	345	739	.415	.085	.163	.765
445	553	.969	.131	.551	.433	345	646	.041	.143	.513	.346	345	740	.389	.111	.064	.220
445	554	.979	.130	.534	.536	345	647	.070	.079	.360	.187	345	741	.397	.096	.028	.180
445	555	.866	.123	.459	.111	345	648	.061	.094	.408	.263	345	742	.427	.084	.107	.910
445	601	.326	.082	.051	.743	345	649	.091	.123	.597	.223	345	743	.393	.114	.000	.043
445	602	.390	.083	.131	.743	345	650	.127	.137	.665	.293	345	744	.398	.113	.095	.236
445	603	.386	.098	.120	.664	345	651	.019	.123	.443	.400	345	745	.403	.089	.040	.808
445	604	.300	.090	.043	.822	345	652	.120	.076	.538	.114	345	746	.427	.095	.026	.938
445	605	.318	.072	.081	.664	345	653	.110	.073	.438	.135	345	747	.440	.094	.173	.977
445	606	.359	.089	.085	.717	345	654	.112	.100	.574	.138	345	748	.419	.082	.130	.803

APPENDIX A -- PRESSURE DATA: MAIN PLACE HOTEL -- CONF. B -- DALLAS, TEXAS

WD	TAP	CPMEAN	CPRMS	CPMAX	CPMIN	WD	TAP	CPMEAN	CPRMS	CPMAX	CPMIN	WD	TAP	CPMEAN	CPRMS	CPMAX	CPMIN
00	1	.177	.150	.306	.687	00	51	.315	.096	.005	.802	00	101	.285	.107	.075	.659
00	2	.170	.155	.419	.813	00	52	.307	.101	.026	.790	00	102	.282	.109	.054	.871
00	3	.217	.139	.300	.793	00	53	.262	.100	.198	.737	00	103	.272	.111	.082	.840
00	4	.259	.134	.278	.725	00	54	.275	.102	.182	.692	00	104	.283	.110	.052	.955
00	5	.248	.128	.445	.715	00	55	.263	.092	.093	.583	00	105	.256	.103	.093	.775
00	6	.296	.123	.500	.761	00	56	.258	.103	.139	.768	00	106	.228	.144	.259	.889
00	7	.270	.106	.276	.586	00	57	.230	.105	.322	.007	00	107	.121	.169	.419	.165
00	8	.300	.113	.278	.773	00	58	.271	.114	.271	.037	00	108	.220	.149	.384	.811
00	9	.290	.112	.231	.694	00	59	.247	.105	.155	.329	00	109	.270	.098	.109	.650
00	10	.331	.112	.140	.778	00	60	.240	.123	.185	.759	00	110	.348	.087	.052	.735
00	11	.310	.104	.140	.679	00	61	.280	.099	.160	.586	00	111	.398	.083	.150	.733
00	12	.307	.100	.115	.641	00	62	.319	.106	.135	.722	00	112	.432	.105	.034	.836
00	13	.275	.105	.188	.791	00	63	.305	.123	.100	.981	00	113	.402	.092	.057	.943
00	14	.202	.109	.219	.916	00	64	.299	.110	.202	.710	00	114	.400	.080	.100	.696
00	15	.276	.107	.169	.833	00	65	.235	.104	.111	.793	00	115	.402	.082	.082	.763
00	16	.273	.111	.118	.828	00	66	.261	.111	.067	.680	00	116	.360	.088	.068	.730
00	17	.250	.108	.184	.960	00	67	.233	.123	.214	.745	00	117	.319	.081	.030	.595
00	18	.279	.117	.121	.081	00	68	.238	.100	.137	.538	00	118	.225	.080	.016	.624
00	19	.253	.115	.167	.043	00	69	.194	.106	.177	.513	00	119	.227	.085	.009	.633
00	20	.277	.115	.096	.059	00	70	.217	.106	.160	.525	00	120	.207	.090	.027	.625
00	21	.230	.129	.249	.341	00	71	.213	.109	.162	.541	00	121	.298	.096	.043	.620
00	22	.228	.135	.326	.761	00	72	.207	.118	.240	.590	00	122	.18	.084	.048	.596
00	23	.256	.114	.393	.635	00	73	.202	.125	.313	.730	00	123	.14	.102	.200	.690
00	24	.306	.110	.342	.650	00	74	.211	.123	.266	.628	00	124	.311	.113	.210	.680
00	25	.301	.106	.264	.650	00	75	.220	.113	.191	.600	00	125	.317	.117	.111	.709
00	26	.290	.099	.139	.682	00	76	.244	.106	.134	.679	00	126	.389	.108	.100	.723
00	27	.309	.114	.179	.751	00	77	.260	.098	.139	.720	00	127	.364	.127	.034	.904
00	28	.361	.121	.155	.951	00	78	.266	.099	.102	.982	00	128	.338	.122	.090	.008
00	29	.345	.119	.205	.810	00	79	.222	.105	.139	.197	00	129	.337	.123	.125	.016
00	30	.350	.100	.136	.662	00	80	.229	.133	.353	.087	00	130	.353	.101	.016	.789
00	31	.289	.102	.059	.711	00	81	.094	.171	.527	.970	00	131	.341	.129	.102	.525
00	32	.314	.102	.128	.791	00	82	.209	.140	.444	.807	00	132	.093	.127	.456	.594
00	33	.287	.100	.162	.679	00	83	.272	.104	.228	.774	00	133	.091	.114	.402	.670
00	34	.278	.101	.149	.802	00	84	.288	.097	.029	.646	00	134	.233	.171	.331	.068
00	35	.264	.103	.106	.873	00	85	.311	.086	.011	.643	00	135	.256	.117	.328	.715
00	36	.292	.109	.140	.032	00	86	.358	.095	.034	.093	00	136	.317	.111	.106	.804
00	37	.270	.111	.145	.155	00	87	.357	.090	.011	.956	00	137	.386	.102	.075	.816
00	38	.266	.113	.132	.977	00	88	.344	.081	.018	.719	00	138	.332	.137	.163	.236
00	39	.220	.147	.414	.727	00	89	.333	.082	.025	.689	00	139	.487	.110	.191	.006
00	40	.140	.156	.379	.841	00	90	.339	.082	.039	.683	00	140	.339	.097	.169	.775
00	41	.205	.118	.242	.777	00	91	.313	.081	.143	.635	00	141	.406	.095	.145	.779
00	42	.290	.102	.140	.702	00	92	.299	.076	.011	.615	00	142	.396	.107	.100	.907
00	43	.291	.094	.110	.695	00	93	.288	.076	.000	.604	00	143	.363	.111	.002	.697
00	44	.295	.095	.079	.641	00	94	.309	.081	.007	.635	00	144	.005	.130	.147	.662
00	45	.283	.111	.313	.866	00	95	.310	.088	.005	.646	00	145	.005	.132	.152	.636
00	46	.352	.124	.272	.889	00	96	.294	.096	.169	.651	00	146	.299	.156	.252	.721
00	47	.355	.127	.160	.855	00	97	.272	.095	.186	.664	00	147	.303	.145	.212	.825
00	48	.352	.124	.122	.867	00	98	.287	.100	.331	.608	00	148	.329	.133	.108	.798
00	49	.323	.122	.064	.878	00	99	.296	.084	.082	.526	00	149	.322	.116	.111	.857
00	50	.330	.112	.037	.771	00	100	.320	.112	.050	.743	00	150	.305	.128	.147	.971

APPENDIX A -- PRESSURE DATA: MAIN PLACE HOTEL -- CONF. B -- DALLAS , TEXAS

WD	TAP	CPMEAN	CPRMS	CPMAX	CPMIN	WD	TAP	CPMEAN	CPRMS	CPMAX	CPMIN	WD	TAP	CPMEAN	CPRMS	CPMAX	CPMIN
0	151	.446	.119	.052	-.879	0	201	.624	.184	-.138	-1.406	0	335	.479	.129	.929	.154
0	152	.528	.166	.010	-1.150	0	202	.509	.146	-.098	-1.041	0	336	.449	.123	.861	.148
0	153	.494	.155	.057	-1.114	0	203	.439	.136	-.024	-1.044	0	337	.416	.120	.873	.126
0	154	.494	.163	.062	-1.207	0	204	.503	.158	-.078	-1.225	0	338	.370	.118	.840	.031
0	155	.516	.175	.043	-1.197	0	205	.611	.231	-.140	-1.684	0	339	.295	.112	.732	-.038
0	156	.578	.188	.053	-1.399	0	206	.260	.137	-.817	-.190	0	340	.176	.105	.711	-.081
0	157	.616	.214	.066	-1.667	0	207	.273	.147	-.807	-.370	0	341	.415	.134	.927	-.100
0	158	.001	.098	.386	-.562	0	208	.180	.098	.580	-.107	0	342	.437	.134	.972	-.045
0	159	.053	.100	.564	-.478	0	209	.163	.098	.617	-.301	0	343	.405	.121	.882	.010
0	160	.037	.108	.485	-.526	0	210	.152	.093	.686	-.291	0	344	.350	.104	.709	.035
0	161	.069	.120	.398	-.557	0	211	.189	.095	.516	-.174	0	345	.273	.077	.531	.014
0	162	.121	.135	.374	-.781	0	212	.455	.155	-.029	-1.392	0	346	.251	.072	.495	.066
0	163	.228	.122	.234	-.688	0	213	.458	.133	-.083	-1.003	0	347	.253	.076	.525	.031
0	164	.459	.188	.337	-1.407	0	214	.632	.215	-.112	-1.622	0	348	.215	.076	.671	-.021
0	165	.505	.135	.133	-1.072	0	215	.479	.140	-.131	-1.006	0	349	.158	.096	.605	-.156
0	166	.551	.129	-.162	-1.000	0	216	.469	.130	-.131	-.958	0	350	.010	.109	.467	.434
0	167	.584	.146	.086	-1.166	0	301	.444	.147	-.880	-.050	0	351	.336	.172	.943	-.390
0	168	.574	.149	.063	-1.186	0	302	.484	.146	-.955	.029	0	352	.310	.171	.890	.289
0	169	.518	.131	.104	-1.052	0	303	.515	.158	-.958	.053	0	353	.235	.143	.737	-.239
0	170	.488	.126	.002	-.952	0	304	.493	.153	-.936	.044	0	354	.162	.099	.526	-.120
0	171	.490	.122	.053	-.853	0	305	.439	.145	-.863	-.007	0	355	.118	.064	.333	-.128
0	172	.489	.129	.082	-.883	0	306	.419	.142	-.783	.019	0	356	.141	.061	.406	-.033
0	173	.502	.117	.033	-.975	0	307	.417	.138	-.834	.002	0	357	.158	.071	.595	.076
0	174	.517	.114	.081	-.991	0	308	.415	.138	-.827	-.053	0	358	.242	.079	.507	-.064
0	175	.501	.133	.014	-.999	0	309	.353	.130	-.759	-.109	0	359	.321	.127	.870	-.124
0	176	.492	.139	.087	-.958	0	310	.159	.108	.481	-.241	0	360	.136	.110	.577	-.242
0	177	.469	.150	.311	-1.027	0	311	.499	.153	.924	.045	0	361	.063	.159	.707	-.386
0	178	.520	.169	.026	-1.386	0	312	.589	.160	1.049	.101	0	362	.101	.107	.611	-.184
0	179	.469	.143	.029	-1.123	0	313	.598	.161	1.050	.107	0	363	.106	.079	.468	-.166
0	180	.445	.145	.029	-1.138	0	314	.582	.154	1.019	.177	0	364	.105	.068	.364	-.111
0	181	.446	.159	.007	-1.219	0	315	.558	.147	.962	.166	0	365	.111	.078	.391	-.216
0	182	.529	.176	.005	-1.217	0	316	.526	.147	.937	.110	0	366	.152	.089	.453	-.186
0	183	.638	.201	.110	-1.469	0	317	.499	.147	.910	.055	0	367	.189	.090	.482	-.252
0	184	.299	.107	.138	-.747	0	318	.444	.131	.955	.061	0	368	.225	.085	.512	-.068
0	185	.345	.157	.266	-1.058	0	319	.373	.121	.829	.033	0	369	.221	.091	.119	-.564
0	186	.315	.138	.212	-.886	0	320	.141	.097	.566	-.171	0	370	.041	.102	.448	-.377
0	187	.432	.126	.038	-.929	0	321	.455	.149	.965	.047	0	371	.070	.084	.639	-.264
0	188	.541	.158	.073	-1.220	0	322	.571	.142	1.016	.170	0	372	.133	.097	.683	-.195
0	189	.228	.130	.256	-.673	0	323	.595	.142	1.038	.190	0	373	.192	.130	.880	-.081
0	190	.286	.165	.391	-.938	0	324	.598	.140	1.030	.202	0	374	.257	.157	.932	-.080
0	191	.177	.180	.370	-.769	0	325	.576	.137	1.022	.206	0	375	.310	.176	1.015	-.074
0	192	.325	.138	.146	-.825	0	326	.538	.139	.927	.200	0	401	.238	.097	.040	-.725
0	193	.485	.147	.036	-1.138	0	327	.501	.135	.877	.145	0	402	.263	.100	.002	-.941
0	194	.083	.121	.405	-.464	0	328	.411	.122	.866	.082	0	403	.288	.121	.087	-.1281
0	195	.050	.109	.592	-.523	0	329	.322	.116	.771	.000	0	404	.290	.125	.183	-1.015
0	196	.002	.124	.454	-.485	0	330	.079	.102	.488	-.193	0	405	.294	.133	.289	-1.235
0	197	.020	.104	.394	-.405	0	331	.401	.141	.905	.029	0	406	.277	.137	.372	-1.164
0	198	.024	.097	.395	-.441	0	332	.504	.143	.983	.113	0	407	.296	.151	.191	-.928
0	199	.036	.108	.373	-.557	0	333	.515	.141	.956	.156	0	408	.325	.178	.270	-1.143
0	200	.512	.146	.107	-1.235	0	334	.502	.136	.998	.163	0	409	.336	.226	.478	-1.442

APPENDIX A -- PRESSURE DATA:

MAIN PLACE HOTEL -- CONF. B -- DALLAS, TEXAS

WD	TAP	CPMEAN	CPRMS	CPMAX	CPMIN	WD	TAP	CPMEAN	CPRMS	CPMAX	CPMIN	WD	TAP	CPMEAN	CPRMS	CPMAX	CPMIN
0	410	.239	.103	.116	-.833	0	502	-.071	.053	.108	-.272	0	552	-.320	.153	.012	-1.602
0	411	-.262	.101	-.039	-.871	0	503	-.250	.104	.048	-.684	0	553	-.335	.129	-.047	-1.292
0	412	-.314	.113	-.009	-.944	0	504	-.152	.053	.037	-.442	0	554	-.349	.119	-.059	-1.001
0	413	-.330	.116	-.067	-.895	0	505	-.192	.141	.255	-.704	0	555	-.330	.127	.012	-1.189
0	414	-.315	.122	.264	-.984	0	506	-.230	.106	.037	-.658	0	601	-.082	.057	.111	-.278
0	415	-.301	.129	.274	-1.035	0	507	-.493	.127	-.119	-.827	0	602	-.169	.092	.068	-.838
0	416	-.328	.149	.238	-.942	0	508	-.491	.121	-.111	-.924	0	603	-.193	.127	.126	-.965
0	417	-.346	.175	.220	-1.463	0	509	-.546	.132	-.087	-1.153	0	604	-.133	.122	.237	-.978
0	418	-.353	.190	-.287	-1.426	0	510	-.588	.165	-.102	-1.530	0	605	-.016	.099	.351	-.377
0	419	-.349	.108	-.005	-.743	0	511	-.471	.109	-.124	-.843	0	606	-.098	.060	.128	-.371
0	420	-.376	.107	-.039	-.764	0	512	-.532	.130	-.150	-1.044	0	607	-.197	.069	.130	-.574
0	421	-.386	.112	-.005	-.955	0	513	-.541	.131	-.153	-1.122	0	608	-.181	.077	.092	-.468
0	422	-.403	.123	-.014	-.970	0	514	-.428	.125	-.113	-.836	0	609	-.120	.097	.205	-.422
0	423	-.415	.125	-.066	-.960	0	515	-.482	.119	-.005	-1.019	0	610	-.080	.127	.342	-.343
0	424	-.426	.133	.104	-.907	0	516	-.246	.100	.204	-.868	0	611	-.086	.062	.116	-.337
0	425	-.432	.140	.165	-1.033	0	517	-.248	.111	.196	-.841	0	612	-.028	.066	.287	-.240
0	426	-.479	.179	.134	-1.440	0	518	-.303	.106	.145	-.796	0	613	.051	.082	.363	-.276
0	427	-.541	.224	.178	-1.404	0	519	-.310	.103	.209	-.875	0	614	.109	.116	.654	-.288
0	428	-.434	.128	-.069	-.933	0	520	-.203	.117	.336	-.544	0	615	.078	.057	.116	-.333
0	429	-.438	.126	-.103	-.868	0	521	-.220	.132	.360	-.969	0	616	.310	.083	-.103	-.865
0	430	-.456	.133	-.113	-1.106	0	522	-.275	.102	.099	-.796	0	617	-.288	.085	-.064	-.685
0	431	-.482	.139	-.123	-1.101	0	523	-.223	.114	.179	-.667	0	618	-.268	.072	-.059	-.609
0	432	-.510	.145	-.132	-1.337	0	524	-.207	.111	.203	-.615	0	619	-.228	.066	.009	-.574
0	433	-.472	.133	-.080	-1.054	0	525	-.273	.125	.491	-1.299	0	620	-.188	.058	.031	-.482
0	434	-.432	.149	.130	-.961	0	526	-.358	.143	.071	-1.159	0	621	-.142	.052	.047	-.360
0	435	-.440	.173	.207	-1.787	0	527	-.460	.129	-.063	-1.125	0	622	-.136	.049	.043	-.307
0	436	-.520	.242	.229	-1.736	0	528	-.328	.111	.045	-.834	0	623	-.105	.050	.116	-.266
0	437	-.530	.139	-.140	-1.127	0	529	-.352	.142	.328	-1.027	0	624	-.090	.052	.110	-.284
0	438	-.538	.146	-.162	-1.106	0	530	-.367	.116	.123	-.804	0	625	-.268	.081	-.028	-.926
0	439	-.552	.148	-.178	-1.263	0	531	-.323	.135	.176	-.891	0	626	-.288	.080	.050	-.727
0	440	-.558	.158	-.090	-1.127	0	532	-.254	.157	.365	-1.018	0	627	-.262	.069	.024	-.598
0	441	-.511	.155	-.073	-1.286	0	533	-.311	.159	.222	-1.129	0	628	-.205	.066	.002	-.564
0	442	-.410	.154	.125	-1.005	0	534	-.344	.126	.031	-.908	0	629	-.159	.063	.115	-.398
0	443	-.331	.150	.210	-.832	0	535	-.286	.102	.125	-.728	0	630	-.136	.061	.092	-.352
0	444	-.260	.142	.342	-.759	0	536	-.373	.117	-.009	-.784	0	631	-.109	.056	.111	-.308
0	445	-.197	.161	.342	-1.442	0	537	-.489	.132	-.061	-1.015	0	632	-.072	.054	.122	-.256
0	446	-.542	.200	-.021	-2.220	0	538	-.352	.126	.128	-.953	0	633	-.055	.058	.186	-.252
0	447	-.544	.185	-.062	-1.327	0	539	-.352	.143	.085	-1.288	0	634	-.252	.088	.009	-1.100
0	448	-.476	.139	-.065	-1.182	0	540	-.318	.152	.163	-1.105	0	635	-.257	.086	.000	-1.031
0	449	-.358	.124	-.009	-.794	0	541	-.355	.173	.106	-1.842	0	636	-.219	.074	.031	-.609
0	450	-.294	.118	.093	-.741	0	542	-.364	.138	.071	-1.039	0	637	-.156	.073	.057	-.579
0	451	-.243	.114	.166	-.618	0	543	-.309	.112	-.014	-.813	0	638	-.138	.066	.092	-.545
0	452	-.210	.111	.148	-.676	0	544	-.287	.168	.537	-.784	0	639	-.107	.057	.095	-.389
0	453	-.154	.105	.181	-.507	0	545	-.480	.183	-.113	-1.190	0	640	-.072	.057	.157	-.280
0	454	-.107	.099	.338	-.537	0	546	-.453	.143	.197	-1.100	0	641	-.071	.057	.155	-.285
0	455	-.067	.092	.310	-.524	0	547	-.392	.135	.099	-1.013	0	642	.102	.178	.855	-.614
0	456	-.058	.093	.362	-.593	0	548	-.330	.114	.097	-.966	0	643	.111	.156	.804	-.462
0	457	-.021	.090	.296	-.397	0	549	-.354	.169	.208	-1.284	0	644	.063	.140	.597	-.445
0	458	-.029	.082	.326	-.486	0	550	-.344	.124	.078	-.948	0	645	.051	.131	.589	-.436
0	501	-.091	.090	.198	-.780	0	551	-.349	.133	-.021	-1.060	0	646	.009	.118	.466	-.447

APPENDIX A -- PRESSURE DATA: MAIN PLACE HOTEL -- CONF. B -- DALLAS, TEXAS

WD	TAP	CPMEAN	CPRMS	CPMAX	CPHIN	WD	TAP	CPMEAN	CPRMS	CPMAX	CPHIN	WD	TAP	CPMEAN	CPRMS	CPMAX	CPHIN
0	647	.0633	.071	.315	-.207	0	743	-.078	.166	.436	-1.099	0	45	-.460	.148	.115	-1.138
0	648	.0070	.070	.413	-.330	0	744	-.060	.161	.345	-1.937	0	46	-.439	.143	.070	-1.272
0	649	-.010	.072	.380	-.333	0	745	-.120	.130	.407	-1.615	0	47	-.487	.152	.051	-1.039
0	650	-.028	.088	.343	-.353	0	746	-.326	.127	.131	-1.933	0	48	-.491	.152	.113	-1.100
0	651	-.103	.095	.315	-.386	0	747	-.108	.040	.194	-1.025	0	49	-.501	.142	.054	-1.182
0	652	-.210	.106	.632	-.099	0	748	-.239	.064	-.035	-1.412	0	50	-.466	.143	.030	-1.028
0	653	-.149	.081	.488	-.222	15	1	-.403	.150	.186	-1.912	15	51	-.516	.148	.012	-1.213
0	654	-.083	.068	.434	-.101	15	2	-.384	.145	.142	-1.944	15	52	-.531	.158	.014	-1.183
0	655	-.071	.061	.227	-.066	15	3	-.448	.139	.103	-1.995	15	53	-.524	.161	.007	-1.234
0	701	-.450	.278	.082	-.688	15	4	-.452	.131	.080	-1.977	15	54	-.483	.154	.005	-1.121
0	702	-.369	.173	.138	-.688	15	5	-.452	.139	.153	-1.206	15	55	-.514	.146	.101	-1.182
0	703	-.233	.162	-.264	-.222	15	6	-.408	.133	.130	-1.918	15	56	-.514	.152	.083	-1.232
0	704	-.403	.120	-.093	-.935	15	7	-.441	.133	.159	-1.000	15	57	-.511	.157	.038	-1.225
0	705	-.555	.149	.174	-.111	15	8	-.455	.135	.158	-1.041	15	58	-.527	.196	.030	-1.528
0	706	-.505	.186	.222	-.333	15	9	-.459	.142	.085	-1.935	15	59	-.688	.253	.105	-1.646
0	707	-.345	.170	-.077	-.111	15	10	-.426	.142	.105	-1.067	15	60	-.441	.151	.040	-1.048
0	708	-.553	.190	-.053	-.438	15	11	-.470	.147	.087	-1.318	15	61	-.439	.132	.090	-1.067
0	709	-.533	.302	.338	-.634	15	12	-.482	.149	.017	-1.112	15	62	-.409	.134	.126	-.981
0	710	-.253	.212	.239	-.634	15	13	-.487	.158	.009	-1.175	15	63	-.438	.150	.143	-1.147
0	711	-.387	.184	.084	-.222	15	14	-.457	.155	.005	-1.114	15	64	-.425	.131	.080	-1.053
0	712	-.211	.220	.305	-.222	15	15	-.501	.160	.021	-1.323	15	65	-.445	.117	.040	-1.034
0	713	-.211	.124	.174	-.885	15	16	-.517	.167	-.028	-1.308	15	66	-.400	.110	.016	-1.923
0	715	-.203	.136	.188	-.363	15	17	-.526	.163	.083	-1.416	15	67	-.426	.114	.021	-1.815
0	716	-.140	.102	.613	-.777	15	18	-.476	.156	.119	-1.588	15	68	-.422	.092	.066	-1.718
0	717	-.039	.171	.445	-.333	15	19	-.511	.150	.021	-1.250	15	69	-.414	.107	.118	-1.827
0	718	-.227	.185	.254	-.843	15	20	-.520	.159	.092	-1.114	15	70	-.378	.103	.121	-1.786
0	719	-.235	.126	.893	-.333	15	21	-.702	.263	-.075	-1.153	15	71	-.417	.104	.040	-1.808
0	720	-.109	.207	.502	-.885	15	22	-.458	.137	.052	-1.996	15	72	-.417	.104	.024	-1.738
0	721	-.137	.184	.311	-.885	15	23	-.459	.133	.221	-1.008	15	73	-.415	.118	.064	-1.867
0	722	-.222	.121	.917	-.386	15	24	-.418	.130	.225	-1.000	15	74	-.371	.120	.153	-1.842
0	723	-.088	.216	.457	-.885	15	25	-.452	.136	.229	-1.081	15	75	-.416	.136	.164	-1.943
0	724	-.047	.136	.391	-.733	15	26	-.450	.137	.097	-1.001	15	76	-.448	.144	.019	-1.025
0	725	-.152	.124	.522	-.438	15	27	-.468	.142	.179	-1.001	15	77	-.497	.154	.024	-1.424
0	726	-.165	.132	.594	-.438	15	28	-.435	.140	.130	-1.098	15	78	-.474	.150	.028	-1.377
0	727	-.068	.249	.504	-.600	15	29	-.478	.145	.087	-1.142	15	79	-.507	.152	.042	-1.368
0	728	-.090	.190	.386	-.910	15	30	-.503	.134	.108	-1.964	15	80	-.253	.155	.436	-1.723
0	729	-.067	.134	.343	-.777	15	31	-.482	.144	.075	-1.197	15	81	-.200	.172	.644	-1.670
0	730	-.062	.141	.363	-.885	15	32	-.450	.142	.150	-1.288	15	82	-.282	.142	.173	-1.824
0	731	-.000	.142	.190	-.885	15	33	-.498	.151	.091	-1.728	15	83	-.361	.112	.007	-1.829
0	732	-.553	.151	.017	-.123	15	34	-.510	.153	.040	-1.386	15	84	-.368	.094	.007	-1.771
0	733	-.519	.134	.164	-.111	15	35	-.503	.158	.021	-1.493	15	85	-.409	.088	.095	-1.754
0	734	-.292	.159	.259	-.923	15	36	-.460	.152	.074	-1.288	15	86	-.406	.115	.017	-1.150
0	735	-.349	.157	.316	-.141	15	37	-.499	.151	.094	-1.426	15	87	-.435	.102	.061	-1.883
0	736	-.444	.137	.039	-.943	15	38	-.503	.147	.080	-1.426	15	88	-.423	.098	.061	-1.801
0	737	-.066	.179	.348	-.066	15	39	-.341	.145	.230	-1.958	15	89	-.433	.096	.084	-1.809
0	738	-.099	.149	.450	-.600	15	40	-.404	.156	.187	-1.885	15	90	-.398	.097	.044	-1.829
0	739	-.345	.141	.155	-.993	15	41	-.438	.143	.014	-1.171	15	91	-.407	.096	.044	-1.738
0	740	-.085	.203	.416	-.993	15	42	-.410	.127	.107	-1.277	15	92	-.398	.097	.048	-1.716
0	741	-.078	.154	.454	-.722	15	43	-.449	.131	.089	-1.376	15	93	-.394	.096	.062	-1.708
0	742	-.281	.115	.087	-.647	15	44	-.450	.134	.061	-1.320	15	94	-.387	.095	.047	-1.684

APPENDIX A -- PRESSURE DATA:

MAIN PLACE HOTEL -- CONF. B -- DALLAS, TEXAS

WD	TAP	CPMEAN	CPRMS	CPMAX	CPMIN	WD	TAP	CPMEAN	CPRMS	CPMAX	CPMIN	WD	TAP	CPMEAN	CPRMS	CPMAX	CPMIN
15	95	.425	.099	.000	-.780	15	145	-.386	.095	-.081	-.730	15	195	-.189	.123	.323	-.863
15	96	-.406	.101	-.065	-.767	15	146	-.378	.095	-.030	-.729	15	196	-.075	.130	.473	-.686
15	97	-.384	.098	-.022	-.736	15	147	-.416	.104	-.033	-.802	15	197	-.116	.134	.439	-.633
15	98	-.364	.104	-.030	-.782	15	148	-.380	.114	-.041	-.819	15	198	-.171	.134	.326	-.821
15	99	-.404	.120	-.022	-.881	15	149	-.353	.112	-.092	-.745	15	199	-.175	.127	.242	-.697
15	100	-.452	.164	-.044	-1.280	15	150	-.309	.120	-.094	-.744	15	200	-.545	.172	.037	-1.388
15	101	-.439	.169	-.097	-1.328	15	151	-.352	.131	-.040	-.951	15	201	-.452	.162	-.056	-1.195
15	102	-.430	.185	-.036	-1.623	15	152	-.572	.170	-.033	-1.341	15	202	-.533	.161	-.078	-1.471
15	103	-.469	.189	-.053	-1.465	15	153	-.548	.151	-.027	-1.177	15	203	-.548	.165	.159	-1.355
15	104	-.544	.225	-.000	-1.598	15	154	-.557	.147	-.011	-1.145	15	204	-.641	.197	.030	-1.390
15	105	-.604	.281	-.013	-1.875	15	155	-.557	.156	-.067	-1.144	15	205	-.823	.238	.149	-1.818
15	106	-.214	.146	-.333	-.716	15	156	-.619	.230	-.019	-1.421	15	206	-.077	.114	.578	-.278
15	107	-.145	.170	-.499	-.670	15	157	-.895	.276	-.576	-1.751	15	207	.132	.142	.808	-.400
15	108	-.249	.152	-.364	-.849	15	158	-.119	.112	-.218	-.727	15	208	.111	.123	.803	-.302
15	109	-.312	.111	-.185	-.688	15	159	-.175	.119	-.308	-.635	15	209	.072	.131	.764	-.597
15	110	-.351	.097	-.083	-.710	15	160	-.178	.135	-.234	-.779	15	210	.009	.139	.654	-.631
15	111	-.417	.097	-.035	-.773	15	161	-.198	.133	-.254	-.681	15	211	.001	.134	.474	-.529
15	112	-.425	.123	-.072	-1.196	15	162	-.225	.140	-.207	-.718	15	212	-.469	.170	.077	-1.212
15	113	-.419	.112	-.092	-.917	15	163	-.261	.165	-.416	-.805	15	213	-.406	.131	.069	-.912
15	114	-.411	.099	-.107	-.791	15	164	-.373	.270	-.721	-1.678	15	214	-.412	.123	.067	-.906
15	115	-.450	.101	-.125	-.808	15	165	-.444	.216	-.485	-1.502	15	215	-.389	.112	.009	-.803
15	116	-.427	.107	-.004	-.814	15	166	-.519	.185	-.145	-1.329	15	216	-.415	.130	.019	-.864
15	117	-.382	.102	-.099	-.714	15	167	-.530	.177	-.014	-1.272	15	301	-.478	.168	.974	-.052
15	118	-.365	.097	-.030	-.686	15	168	-.495	.159	-.014	-1.318	15	302	-.476	.150	.920	-.044
15	119	-.401	.099	-.002	-.729	15	169	-.405	.123	-.026	-.954	15	303	-.440	.143	.904	-.037
15	120	-.408	.098	-.022	-.817	15	170	-.413	.139	-.099	-1.030	15	304	-.392	.133	.763	-.026
15	121	-.412	.103	-.004	-.877	15	171	-.420	.137	-.005	-1.040	15	305	-.311	.122	.670	-.089
15	122	-.388	.097	-.017	-.750	15	172	-.413	.151	-.161	-1.088	15	306	-.279	.115	.622	-.078
15	123	-.395	.108	-.015	-.837	15	173	-.465	.146	-.009	-1.093	15	307	-.250	.127	.651	-.104
15	124	-.357	.115	-.065	-.725	15	174	-.508	.158	-.009	-1.106	15	308	-.254	.124	.641	-.129
15	125	-.359	.124	-.213	-.837	15	175	-.518	.132	-.076	-1.153	15	309	-.177	.112	.544	-.158
15	126	-.418	.163	-.006	-1.103	15	176	-.506	.124	-.036	-1.044	15	310	-.079	.088	.196	-.361
15	127	-.441	.191	-.048	-1.722	15	177	-.500	.125	-.091	-1.017	15	311	-.588	.167	.129	-.036
15	128	-.437	.198	-.089	-1.527	15	178	-.531	.134	-.089	-1.106	15	312	-.589	.151	.009	-.165
15	129	-.434	.201	-.108	-1.567	15	179	-.553	.142	-.101	-1.118	15	313	-.552	.144	.971	-.102
15	130	-.511	.201	-.004	-1.473	15	180	-.567	.142	-.117	-1.149	15	314	-.542	.139	.938	-.128
15	131	-.652	.306	-.031	-1.933	15	181	-.574	.149	-.114	-1.189	15	315	-.475	.130	.835	-.136
15	132	-.200	.149	-.457	-.788	15	182	-.651	.211	-.106	-1.391	15	316	-.411	.129	.755	-.073
15	133	-.087	.173	-.459	-.765	15	183	-.901	.237	-.117	-1.767	15	317	-.366	.129	.727	-.036
15	134	-.223	.170	-.366	-1.171	15	184	-.343	.151	-.173	-1.037	15	318	-.290	.110	.704	-.066
15	135	-.313	.126	-.275	-.797	15	185	-.348	.155	-.139	-.992	15	319	-.211	.100	.571	-.131
15	136	-.369	.111	-.028	-.828	15	186	-.448	.137	-.007	-1.046	15	320	-.059	.080	.179	-.383
15	137	-.409	.103	-.106	-.855	15	187	-.530	.160	-.035	-1.291	15	321	-.544	.151	.976	-.081
15	138	-.431	.139	-.024	-1.240	15	188	-.566	.173	-.047	-1.610	15	322	-.637	.143	.148	-.156
15	139	-.463	.130	-.066	-1.181	15	189	-.240	.152	-.393	-.800	15	323	-.625	.136	.136	-.203
15	140	-.446	.115	-.111	-.976	15	190	-.234	.166	-.303	-.879	15	324	-.591	.130	.066	-.221
15	141	-.440	.109	-.110	-.910	15	191	-.348	.129	-.212	-.923	15	325	-.514	.122	.921	-.199
15	142	-.406	.104	-.066	-.829	15	192	-.493	.153	-.154	-1.566	15	326	-.419	.124	.820	-.118
15	143	-.389	.102	-.044	-.758	15	193	-.539	.162	-.085	-1.351	15	327	-.357	.118	.733	-.064
15	144	-.379	.098	-.052	-.738	15	194	-.132	.105	-.340	-.631	15	328	-.247	.106	.588	-.031

APPENDIX A -- PRESSURE DATA:

MAIN PLACE HOTEL -- CONF. B -- DALLAS, TEXAS

WD	TAP	CPMEAN	CPRMS	CPMAX	CPMIN	WD	TAP	CPMEAN	CPRMS	CPMAX	CPMIN	WD	TAP	CPMEAN	CPRMS	CPMAX	CPMIN
15	329	.164	.098	.473	-.112	15	404	-.409	.082	-.088	-.883	15	454	-.321	.136	.177	-1.055
15	330	-.083	.085	.194	-.435	15	405	-.425	.089	-.082	-.852	15	455	-.285	.145	.215	-.928
15	331	.532	.149	1.036	.014	15	406	-.438	.090	-.005	-.900	15	456	-.280	.150	.299	-.885
15	332	.560	.136	1.019	.127	15	407	-.399	.090	-.012	-.810	15	457	-.164	.129	.257	-.713
15	333	.527	.126	.936	.159	15	408	-.422	.098	-.086	-.861	15	458	-.054	.127	.309	-.679
15	334	.485	.121	.907	.172	15	409	-.429	.112	-.052	-1.229	15	501	-.339	.174	.158	-1.602
15	335	.388	.107	.795	.086	15	410	-.316	.072	-.055	-.590	15	502	-.096	.068	.124	-.397
15	336	.311	.099	.710	.061	15	411	-.333	.070	-.116	-.612	15	503	-.436	.145	.052	-1.205
15	337	.248	.094	.629	.000	15	412	-.367	.073	-.182	-.655	15	504	-.133	.088	.247	-.470
15	338	.183	.089	.510	-.054	15	413	-.365	.075	-.133	-.839	15	505	-.347	.139	.208	-1.139
15	339	.126	.085	.489	-.153	15	414	-.365	.075	-.074	-.806	15	506	-.095	.125	.277	-.588
15	340	-.020	.070	.319	-.242	15	415	-.380	.083	-.080	-.695	15	507	-.458	.110	-.067	-.960
15	341	.478	.141	.971	.059	15	416	-.411	.092	-.031	-.773	15	508	-.494	.149	.050	-1.312
15	342	.494	.128	.999	.109	15	417	-.430	.103	-.031	-1.015	15	509	-.572	.210	-.014	-1.923
15	343	.436	.116	.900	.021	15	418	-.429	.108	-.026	-.998	15	510	-.663	.296	-.038	-2.406
15	344	.344	.096	.715	-.005	15	419	-.312	.078	-.007	-.626	15	511	-.498	.146	-.057	-1.241
15	345	.154	.062	.375	-.036	15	420	-.343	.075	-.065	-.641	15	512	-.536	.174	-.024	-1.365
15	346	.100	.068	.406	-.109	15	421	-.363	.090	-.086	-.861	15	513	-.503	.153	.066	-1.207
15	347	.086	.067	.387	-.110	15	422	-.380	.094	-.074	-.966	15	514	-.411	.130	.139	-.878
15	348	.032	.064	.322	-.169	15	423	-.402	.095	-.128	-1.042	15	515	-.428	.145	.055	-1.177
15	349	-.025	.066	.285	-.218	15	424	-.445	.105	-.043	-1.014	15	516	-.446	.153	.108	-1.041
15	350	.159	.082	.194	.477	15	425	-.470	.116	-.128	-.951	15	517	-.442	.147	.128	-.995
15	351	.427	.127	.852	.060	15	426	-.508	.147	-.053	-1.559	15	518	-.459	.155	.057	-1.186
15	352	.431	.117	.837	.092	15	427	-.523	.156	-.111	-1.715	15	519	-.440	.170	.102	-1.897
15	353	.361	.106	.739	.028	15	428	-.373	.100	-.038	-.751	15	520	-.377	.127	.110	-.849
15	354	.275	.094	.650	-.026	15	429	-.382	.098	-.109	-.963	15	521	-.395	.130	.120	-1.070
15	355	.050	.050	.210	-.129	15	430	-.402	.106	-.096	-1.338	15	522	-.421	.125	.103	-1.000
15	356	.020	.054	.167	-.207	15	431	-.431	.114	-.118	-1.134	15	523	-.406	.114	.172	-.987
15	357	.002	.065	.240	-.218	15	432	-.457	.116	-.005	-1.021	15	524	-.393	.113	.177	-.963
15	358	.101	.079	.361	-.125	15	433	-.448	.111	-.121	-.910	15	525	-.434	.154	.120	-.971
15	359	.044	.125	.442	-.492	15	434	-.470	.119	-.094	-1.048	15	526	-.490	.109	-.164	-.998
15	360	.122	.103	.256	-.496	15	435	-.542	.175	-.094	-1.415	15	527	-.774	.190	-.234	-1.373
15	361	.351	.135	.867	-.140	15	436	-.605	.212	-.072	-1.770	15	528	-.846	.253	-.221	-1.620
15	362	.340	.121	.803	-.033	15	437	-.433	.123	-.029	-.930	15	529	-.518	.166	-.002	-1.437
15	363	.265	.105	.652	-.060	15	438	-.438	.123	-.065	-.950	15	530	-.630	.169	.037	-1.178
15	364	.158	.080	.456	-.089	15	439	-.469	.126	-.116	-1.014	15	531	-.496	.151	.014	-1.065
15	365	.006	.054	.183	-.197	15	440	-.500	.139	-.077	-1.710	15	532	-.433	.134	.115	-1.097
15	366	.017	.063	.293	-.210	15	441	-.510	.146	-.081	-1.693	15	533	-.469	.121	-.136	-1.167
15	367	.034	.056	.325	-.136	15	442	-.466	.137	-.106	-1.132	15	534	-.464	.101	-.171	-.924
15	368	.149	.076	.452	-.115	15	443	-.432	.127	-.061	-.943	15	535	-.442	.088	-.177	-.781
15	369	.064	.138	.323	-.553	15	444	-.425	.147	-.060	-1.258	15	536	-.592	.137	-.058	-1.081
15	370	.270	.142	.721	-.217	15	445	-.429	.204	-.040	-1.697	15	537	-.801	.184	-.300	-1.453
15	371	.263	.131	.709	-.093	15	446	-.426	.135	-.043	-1.374	15	538	-.650	.181	-.118	-1.285
15	372	.151	.081	.463	-.061	15	447	-.443	.138	-.054	-1.540	15	539	-.498	.166	-.039	-1.247
15	373	.107	.063	.347	-.081	15	448	-.480	.133	-.146	-1.151	15	540	-.453	.151	.131	-1.214
15	374	.103	.058	.378	-.073	15	449	-.460	.128	-.081	-1.246	15	541	-.485	.114	-.184	-1.121
15	375	.048	.058	.272	-.134	15	450	-.437	.123	-.050	-1.225	15	542	-.479	.098	-.201	-1.002
15	401	.383	.075	1.120	-.689	15	451	-.416	.123	-.026	-1.309	15	543	-.453	.086	-.177	-.799
15	402	.404	.075	1.145	-.736	15	452	-.414	.125	-.069	-1.179	15	544	-.374	.197	-.608	-.885
15	403	.414	.081	1.228	-.801	15	453	-.365	.133	-.155	-.994	15	545	-.794	.217	-.071	-1.617

APPENDIX A -- PRESSURE DATA: MAIN PLACE HOTEL -- CONF. B -- DALLAS , TEXAS

WD	TAP	CPMEAN	CPRMS	CPMAX	CPMIN	WD	TAP	CPMEAN	CPRMS	CPMAX	CPMIN	WD	TAP	CPMEAN	CPRMS	CPMAX	CPMIN
15	546	760	168	019	-1.347	15	641	091	087	279	-376	15	737	136	110	304	-566
15	547	647	179	170	-1.359	15	642	038	086	447	-457	15	738	112	148	425	-582
15	548	476	118	081	-0.933	15	643	021	090	560	-664	15	739	437	145	213	-913
15	549	478	130	053	-1.047	15	644	071	131	380	-688	15	740	110	110	248	-661
15	550	470	099	176	-1.037	15	645	074	134	455	-726	15	741	120	153	556	-765
15	551	446	099	161	-0.838	15	646	123	130	316	-622	15	742	392	126	169	-831
15	552	443	089	198	-1.258	15	647	013	079	329	-301	15	743	121	106	228	-580
15	553	496	095	210	-1.165	15	648	008	061	303	-207	15	744	081	115	357	-558
15	554	498	096	176	-0.877	15	649	004	064	276	-299	15	745	136	141	449	-648
15	555	523	125	165	-1.710	15	650	031	075	304	-470	15	746	349	154	207	-921
15	556	159	087	094	-0.509	15	651	125	076	214	-375	15	747	115	066	009	-244
15	557	371	193	037	-1.400	15	652	036	059	307	-138	15	748	340	050	206	-472
15	558	354	203	157	-1.570	15	653	049	058	311	-147	30	1	411	089	142	-792
15	559	105	097	180	-0.808	15	654	037	058	339	-143	30	2	418	112	131	-057
15	560	037	159	675	-0.648	15	655	070	053	139	-260	30	3	301	097	019	-826
15	561	115	069	120	-0.401	15	701	312	064	239	-1.429	30	4	296	104	017	-935
15	562	248	092	058	-0.579	15	702	287	160	117	-0.018	30	5	272	100	031	-766
15	563	251	088	067	-0.650	15	703	365	129	033	-0.954	30	6	240	102	058	-695
15	564	146	090	293	-0.484	15	704	538	172	082	-1.388	30	7	268	120	054	-859
15	565	064	156	630	-0.696	15	705	593	184	136	-1.394	30	8	298	127	059	-859
15	566	212	090	090	-0.602	15	706	291	210	250	-1.187	30	9	320	139	012	-044
15	567	196	094	103	-0.574	15	707	351	129	103	-0.870	30	10	306	147	058	-959
15	568	092	097	221	-0.479	15	708	625	244	089	-0.030	30	11	365	162	016	-1.132
15	569	013	141	577	-0.505	15	709	237	148	249	-1.096	30	12	399	175	043	-1.275
15	570	155	096	155	-0.544	15	710	294	129	149	-0.916	30	13	424	187	083	-1.276
15	571	395	108	108	-0.962	15	711	518	219	037	-1.815	30	14	413	192	087	-1.312
15	572	380	116	081	-0.972	15	712	322	160	202	-1.068	30	15	476	210	101	-1.262
15	573	375	105	090	-0.945	15	713	243	123	096	-0.721	30	16	557	213	067	-1.320
15	574	316	094	005	-0.729	15	715	265	155	136	-0.884	30	17	633	211	100	-1.542
15	575	243	072	032	-0.512	15	716	088	115	380	-0.551	30	18	649	191	075	-1.504
15	576	193	069	018	-0.516	15	717	265	148	176	-1.026	30	19	767	192	202	-1.702
15	577	186	069	062	-0.466	15	718	223	143	210	-0.920	30	20	568	178	014	-1.506
15	578	147	067	097	-0.424	15	719	007	138	573	-0.538	30	21	068	394	361	-2.866
15	579	128	067	122	-0.409	15	720	277	141	289	-0.904	30	22	303	087	031	-1.690
15	580	320	085	069	-0.834	15	721	236	123	185	-0.868	30	23	292	097	005	-1.799
15	581	356	088	101	-0.763	15	722	007	140	628	-0.470	30	24	233	104	061	-1.709
15	582	311	096	025	-0.708	15	723	267	142	243	-1.120	30	25	266	114	089	-1.718
15	583	225	088	060	-0.544	15	724	199	116	240	-0.669	30	26	270	131	100	-1.823
15	584	178	078	071	-0.484	15	725	033	132	404	-0.624	30	27	293	138	176	-1.916
15	585	187	073	053	-0.533	15	726	052	134	357	-0.579	30	28	280	146	236	-1.950
15	586	179	072	065	-0.470	15	727	424	282	262	-1.726	30	29	342	161	144	-1.005
15	587	113	064	071	-0.354	15	728	301	162	099	-1.123	30	30	332	133	017	-1.810
15	588	087	068	141	-0.341	15	729	205	106	087	-0.702	30	31	416	184	069	-1.025
15	589	269	115	018	-1.008	15	730	183	111	187	-0.692	30	32	411	195	105	-1.310
15	590	285	113	005	-1.012	15	731	549	157	096	-1.196	30	33	481	221	141	-1.601
15	591	247	099	080	-0.693	15	732	391	163	129	-1.165	30	34	517	229	155	-1.327
15	592	149	106	265	-0.599	15	733	503	173	089	-1.378	30	35	570	210	071	-1.511
15	593	120	095	244	-0.466	15	734	241	141	307	-1.068	30	36	588	192	103	-1.506
15	594	103	084	206	-0.414	15	735	235	182	355	-1.000	30	37	693	187	038	-1.657
15	595	078	080	241	-0.308	15	736	479	175	185	-1.307	30	38	752	177	197	-1.689

APPENDIX A -- PRESSURE DATA: MAIN PLACE HOTEL -- CONF. B -- DALLAS , TEXAS

WD	TAP	CPMEAN	CPRMS	CPMAX	CPMIN	WD	TAP	CPMEAN	CPRMS	CPMAX	CPMIN	WD	TAP	CPMEAN	CPRMS	CPMAX	CPMIN
30	39	-.3799	.092	-.094	-.802	30	89	-.404	.142	-.382	-.859	30	139	-.421	.138	-.102	-1.046
30	40	-.449	.110	-.064	-.045	30	90	-.383	.113	-.068	-.964	30	140	-.434	.130	-.032	-1.059
30	41	-.291	.089	-.002	-.754	30	91	-.382	.101	-.026	-.822	30	141	-.443	.118	-.024	-.935
30	42	-.242	.093	.054	-.720	30	92	-.333	.106	-.006	-.960	30	142	-.392	.102	-.011	-.790
30	43	-.254	.103	.099	-.751	30	93	-.338	.109	-.026	-.988	30	143	-.403	.097	-.046	-.813
30	44	-.265	.113	.114	-.802	30	94	-.299	.106	-.068	-.915	30	144	-.382	.100	-.022	-.720
30	45	-.268	.131	.164	-.975	30	95	-.398	.112	-.083	-.916	30	145	-.386	.097	-.044	-.713
30	46	-.282	.139	.108	-.008	30	96	-.441	.127	-.076	-.880	30	146	-.352	.098	-.089	-.683
30	47	-.336	.155	.073	-.024	30	97	-.485	.140	-.076	-.981	30	147	-.407	.106	-.059	-.748
30	48	-.383	.173	.021	-.194	30	98	-.458	.156	-.004	-1.121	30	148	-.415	.117	-.015	-.914
30	49	-.420	.181	.180	-.184	30	99	-.491	.167	-.015	-1.288	30	149	-.438	.124	-.022	-.975
30	50	-.421	.192	.147	-.205	30	100	-.540	.197	-.011	-1.611	30	150	-.422	.138	-.025	-1.013
30	51	-.500	.208	.019	-.469	30	101	-.580	.199	-.052	-1.550	30	151	-.468	.147	-.015	-1.214
30	52	-.544	.235	.069	-.518	30	102	-.577	.185	-.028	-1.755	30	152	-.442	.151	-.026	-1.494
30	53	-.572	.244	.059	-.601	30	103	-.645	.183	-.174	-1.498	30	153	-.424	.137	-.012	-1.123
30	54	-.560	.219	.063	-.509	30	104	-.521	.260	-.082	-2.026	30	154	-.435	.131	-.028	-1.132
30	55	-.648	.192	-.088	-.799	30	105	-.005	.362	-.525	-2.216	30	155	-.440	.119	-.064	-1.075
30	56	-.702	.189	-.124	-.739	30	106	-.360	.087	-.019	-.908	30	156	-.451	.200	-.019	-1.446
30	57	-.727	.175	-.121	-.513	30	107	-.427	.140	-.133	-1.144	30	157	-.903	.280	-.289	-1.924
30	58	-.544	.242	.028	-.862	30	108	-.276	.094	-.147	-.595	30	158	-.229	.089	-.177	-.755
30	59	-.029	.363	.426	-.314	30	109	-.279	.101	-.096	-.706	30	159	-.262	.105	-.256	-.909
30	60	-.298	.086	.010	-.740	30	110	-.256	.110	-.127	-.686	30	160	-.266	.112	-.189	-.710
30	61	-.234	.111	.211	-.667	30	111	-.316	.126	-.166	-.839	30	161	-.271	.107	-.218	-.759
30	62	-.201	.122	.187	-.732	30	112	-.358	.187	-.333	-1.254	30	162	-.290	.109	-.191	-.832
30	63	-.217	.200	.478	-.012	30	113	-.391	.165	-.328	-1.034	30	163	-.318	.111	-.204	-.751
30	64	-.303	.221	.557	-.078	30	114	-.383	.146	-.227	-.887	30	164	-.388	.162	-.340	-1.067
30	65	-.442	.200	.455	-.027	30	115	-.427	.133	-.050	-.946	30	165	-.387	.139	-.167	-1.045
30	66	-.346	.172	.349	-.027	30	116	-.413	.108	-.082	-.811	30	166	-.392	.133	-.257	-1.167
30	67	-.391	.153	.301	-.979	30	117	-.401	.098	-.133	-.824	30	167	-.394	.120	-.078	-.964
30	68	-.374	.106	.105	-.683	30	118	-.352	.095	-.062	-.679	30	168	-.387	.113	-.074	-1.067
30	69	-.341	.137	.164	-.946	30	119	-.380	.099	-.052	-.719	30	169	-.339	.107	-.395	-1.002
30	70	-.296	.135	.260	-.821	30	120	-.356	.098	-.041	-.707	30	170	-.354	.104	-.052	-.790
30	71	-.335	.131	.167	-.737	30	121	-.401	.103	-.031	-.767	30	171	-.341	.095	-.000	-.743
30	72	-.390	.129	.050	-.821	30	122	-.409	.111	-.064	-.917	30	172	-.343	.104	-.098	-.767
30	73	-.455	.153	.021	-.143	30	123	-.464	.145	-.026	-1.118	30	173	-.343	.106	-.040	-.836
30	74	-.445	.163	.016	-.228	30	124	-.453	.147	-.017	-1.107	30	174	-.358	.110	-.031	-.875
30	75	-.501	.192	.071	-.377	30	125	-.472	.151	-.020	-1.154	30	175	-.375	.118	-.043	-.999
30	76	-.527	.191	.133	-.237	30	126	-.481	.150	-.081	-1.180	30	176	-.384	.118	-.084	-.870
30	77	-.574	.211	.035	-.274	30	127	-.530	.186	-.004	-1.504	30	177	-.389	.121	-.056	-.846
30	78	-.597	.200	.034	-.467	30	128	-.560	.186	-.024	-1.913	30	178	-.423	.124	-.005	-.931
30	79	-.702	.181	.116	-.842	30	129	-.598	.186	-.138	-1.869	30	179	-.437	.115	-.031	-.907
30	80	-.386	.078	.039	-.716	30	130	-.467	.193	-.038	-1.397	30	180	-.448	.113	-.062	-1.110
30	81	-.440	.117	-.048	-.900	30	131	-.012	.388	-.421	-2.455	30	181	-.445	.120	-.070	-1.172
30	82	-.256	.087	.140	-.599	30	132	-.365	.102	-.050	-.854	30	182	-.449	.188	-.042	-1.509
30	83	-.262	.102	.096	-.661	30	133	-.383	.142	-.087	-1.093	30	183	-.857	.235	-.078	-1.676
30	84	-.258	.111	.186	-.729	30	134	-.256	.104	-.183	-.656	30	184	-.334	.105	-.110	-.834
30	85	-.276	.128	.247	-.874	30	135	-.294	.112	-.102	-.831	30	185	-.351	.109	-.016	-.986
30	86	-.280	.189	.465	-.953	30	136	-.297	.117	-.214	-.687	30	186	-.396	.121	-.019	-1.021
30	87	-.346	.185	.499	-.876	30	137	-.344	.125	-.203	-.833	30	187	-.440	.131	-.045	-1.035
30	88	-.380	.168	.545	-.919	30	138	-.391	.166	-.236	-1.100	30	188	-.450	.128	-.007	-.978

APPENDIX A -- PRESSURE DATA: MAIN PLACE HOTEL -- CONF. B -- DALLAS , TEXAS

WD	TAP	CPMEAN	CPRMS	CPMAX	CPMIN	WD	TAP	CPMEAN	CPRMS	CPMAX	CPMIN	WD	TAP	CPMEAN	CPRMS	CPMAX	CPMIN
30	189	.297	.107	.143	-.740	30	3223	.551	.147	1.048	-.016	30	373	.139	.085	.487	-.107
30	190	.371	.100	.085	-.731	30	3224	.501	.127	.959	-.069	30	374	.117	.074	.430	-.072
30	191	.371	.109	.007	-.952	30	3225	.390	.100	.742	-.051	30	375	-.009	.059	.215	-.232
30	192	.423	.131	.043	-1.223	30	3226	.298	.093	.595	-.074	30	401	-.330	.060	-.118	-.566
30	193	.421	.128	.127	-1.076	30	3227	.221	.080	.510	-.082	30	402	-.345	.062	-.128	-.595
30	194	.196	.074	.075	-.524	30	3228	.117	.067	.337	-.159	30	403	-.356	.068	-.109	-.618
30	195	.212	.116	.364	-.676	30	3229	.055	.061	.234	-.205	30	404	-.348	.069	-.129	-.624
30	196	.247	.103	.192	-.722	30	3230	.165	.054	.051	-.363	30	405	-.360	.073	-.085	-.649
30	197	.255	.096	.214	-.639	30	3231	.577	.190	1.282	-.213	30	406	-.371	.072	-.105	-.674
30	198	.274	.094	.094	-.656	30	3232	.570	.173	1.178	-.039	30	407	-.383	.080	-.184	-.791
30	199	.274	.088	.012	-.613	30	3233	.510	.148	1.019	-.042	30	408	-.395	.085	-.175	-.835
30	200	.421	.132	.129	-.124	30	3234	.415	.125	.886	-.023	30	409	-.387	.088	-.142	-.836
30	201	.411	.131	.030	-.892	30	3235	.275	.088	.624	-.009	30	410	-.331	.055	-.175	-.537
30	202	.442	.125	.080	-.080	30	3236	.166	.069	.432	-.039	30	411	-.340	.055	-.191	-.554
30	203	.458	.127	.114	-.997	30	3237	.090	.062	.348	-.100	30	412	-.361	.056	-.179	-.590
30	204	.468	.157	.079	-.069	30	3238	.038	.063	.321	-.202	30	413	-.365	.063	-.165	-.732
30	205	.742	.218	.122	-.616	30	3239	.009	.059	.274	-.232	30	414	-.365	.065	-.150	-.792
30	206	.088	.090	.259	-.757	30	3240	.119	.051	.137	-.289	30	415	-.378	.068	-.161	-.805
30	207	.114	.109	.403	-.601	30	3241	.537	.160	1.052	-.023	30	416	-.397	.072	-.179	-.801
30	208	.163	.116	.218	-.626	30	3242	.537	.162	1.156	-.019	30	417	-.386	.082	-.174	-.793
30	209	.205	.136	.399	-.947	30	3243	.454	.142	.989	-.002	30	418	-.377	.090	-.141	-.1.188
30	210	.232	.118	.290	-.906	30	3244	.341	.114	.762	-.053	30	419	-.298	.051	-.123	-.484
30	211	.230	.101	.189	-.535	30	3245	.088	.059	.345	-.098	30	420	-.315	.051	-.159	-.490
30	212	.360	.138	.091	-.992	30	3246	.037	.044	.160	-.200	30	421	-.319	.047	-.169	-.499
30	213	.323	.117	.012	-.796	30	3247	.068	.049	.154	-.229	30	422	-.324	.048	-.180	-.521
30	214	.349	.112	.009	-.828	30	3248	.099	.050	.069	-.293	30	423	-.349	.054	-.197	-.536
30	215	.345	.101	.033	-.739	30	3249	.129	.049	.042	-.296	30	424	-.384	.060	-.213	-.635
30	216	.553	.125	.082	-.834	30	3250	.218	.059	.016	-.428	30	425	-.395	.066	-.210	-.646
30	301	.425	.218	1.022	-.571	30	3251	.459	.155	1.050	-.021	30	426	-.388	.070	-.184	-.653
30	302	.387	.175	1.071	-.356	30	3252	.428	.136	.956	-.021	30	427	-.390	.072	-.175	-.664
30	303	.369	.162	.928	-.237	30	3253	.353	.120	.835	-.028	30	428	-.291	.053	-.120	-.479
30	304	.309	.132	.784	-.245	30	3254	.269	.101	.653	-.030	30	429	-.299	.052	-.136	-.495
30	305	.233	.106	.653	-.169	30	3255	.027	.055	.243	-.154	30	430	-.308	.052	-.130	-.523
30	306	.188	.090	.483	-.151	30	3256	.101	.049	.088	-.284	30	431	-.329	.052	-.148	-.511
30	307	.148	.098	.552	-.270	30	3257	.104	.062	.112	-.306	30	432	-.364	.057	-.168	-.601
30	308	.124	.090	.420	-.283	30	3258	.002	.068	.253	-.186	30	433	-.388	.071	-.163	-.741
30	309	.057	.080	.322	-.324	30	3259	.199	.094	.140	-.564	30	434	-.404	.085	-.171	-.806
30	310	.149	.058	.095	-.398	30	3260	.204	.074	.076	-.460	30	435	-.417	.092	-.146	-.910
30	311	.549	.202	1.113	-.327	30	3261	.341	.153	.891	-.063	30	436	-.428	.092	-.152	-.817
30	312	.549	.183	1.097	-.106	30	3262	.358	.131	.846	-.009	30	437	-.296	.061	-.093	-.493
30	313	.514	.165	1.003	-.061	30	3263	.304	.112	.711	-.030	30	438	-.299	.059	-.130	-.496
30	314	.470	.146	1.007	-.379	30	3264	.210	.090	.538	-.069	30	439	-.321	.061	-.139	-.590
30	315	.388	.111	.786	-.019	30	3265	.003	.057	.224	-.184	30	440	-.344	.062	-.154	-.642
30	316	.310	.099	.628	-.035	30	3266	.062	.052	.153	-.286	30	441	-.365	.070	-.145	-.834
30	317	.254	.091	.574	-.049	30	3267	.003	.048	.154	-.185	30	442	-.372	.067	-.152	-.801
30	318	.176	.078	.414	-.116	30	3268	.144	.074	.400	-.085	30	443	-.404	.081	-.191	-.756
30	319	.109	.069	.323	-.138	30	3269	.048	.119	.431	-.434	30	444	-.447	.110	-.166	-.1.066
30	320	.141	.053	.058	-.330	30	3270	.317	.127	.809	-.030	30	445	-.450	.126	-.093	-.1.087
30	321	.580	.187	1.187	-.182	30	3271	.336	.138	.858	-.051	30	446	-.314	.082	-.059	-.630
30	322	.583	.167	1.074	-.116	30	3272	.214	.112	.723	-.106	30	447	-.324	.084	-.061	-.935

APPENDIX A -- PRESSURE DATA: MAIN PLACE HOTEL -- CONF. B -- DALLAS , TEXAS

WD	TAP	CPMEAN	CPRMS	CPMAX	CPMIN	WD	TAP	CPMEAN	CPRMS	CPMAX	CPMIN	WD	TAP	CPMEAN	CPRMS	CPMAX	CPMIN
30	347	.084	.098	-	-.762	30	540	-.328	.119	-.022	-1.095	30	635	-.254	.103	-.004	-.866
30	331	.089	.102	-	-1.139	30	541	-.427	.123	-.045	-1.008	30	636	-.041	.104	-.339	-.461
30	322	.089	.093	-	-1.370	30	542	-.415	.098	-.105	-1.003	30	637	-.047	.104	-.597	-.260
30	317	.086	.090	-	-1.159	30	543	-.395	.081	-.153	-.790	30	638	-.042	.108	-.769	-.203
30	338	.087	.120	-	-1.037	30	544	-.302	.202	-.637	-.957	30	639	-.022	.104	-.515	-.222
30	312	.083	.041	-	-.533	30	545	-.814	.296	-.192	-1.803	30	640	-.005	.091	-.445	-.239
30	300	.082	.077	-	-.558	30	546	-.752	.224	-.316	-1.491	30	641	-.002	.085	-.312	-.240
30	302	.088	.121	-	-.753	30	547	-.658	.209	-.075	-1.530	30	642	-.126	.093	-.203	-.673
30	326	.100	.120	-	-.830	30	548	-.406	.125	-.000	-.953	30	643	-.072	.065	-.166	-.398
30	303	.115	.038	-	-.836	30	549	-.377	.112	-.060	-1.164	30	644	-.058	.060	-.210	-.323
30	288	.121	.009	-	-.883	30	550	-.420	.105	-.065	-.846	30	645	-.068	.073	-.239	-.549
30	348	.106	.072	-	-1.018	30	551	-.428	.116	-.086	-1.209	30	646	-.167	.102	-.171	-.768
30	270	.116	.086	-	-1.375	30	552	-.469	.124	-.207	-1.193	30	647	-.147	.083	-.076	-.463
30	353	.128	.043	-	-1.986	30	553	-.489	.104	-.172	-1.079	30	648	-.060	.048	-.123	-.238
30	220	.126	.218	-	-.762	30	554	-.465	.095	-.177	-.835	30	649	-.045	.043	-.106	-.253
30	325	.105	.087	-	-1.814	30	555	-.486	.123	-.137	-1.459	30	650	-.061	.041	-.120	-.225
30	333	.110	.329	-	-.429	30	601	-.126	.059	-.051	-.385	30	651	-.144	.049	-.098	-.324
30	341	.085	.043	-	-.666	30	602	-.158	.066	-.042	-.517	30	652	-.053	.052	-.193	-.224
30	341	.104	.034	-	-.938	30	603	-.182	.064	-.034	-.454	30	653	-.014	.045	-.213	-.157
30	363	.117	.047	-	-1.125	30	604	-.198	.070	-.122	-.448	30	654	-.020	.046	-.209	-.157
30	399	.152	.102	-	-1.718	30	605	-.203	.072	-.165	-.423	30	655	-.090	.052	-.129	-.274
30	329	.094	.032	-	-.653	30	606	-.116	.058	-.091	-.366	30	701	-.389	.142	-.071	-.981
30	334	.097	.000	-	-.842	30	607	-.145	.059	-.049	-.338	30	702	-.344	.095	-.047	-.807
30	346	.095	.013	-	-.760	30	608	-.155	.059	-.031	-.394	30	703	-.365	.115	-.063	-1.142
30	332	.089	.029	-	-.663	30	609	-.160	.058	-.114	-.419	30	704	-.406	.145	-.005	-1.183
30	334	.091	.000	-	-.680	30	610	-.178	.075	-.103	-.506	30	705	-.428	.146	-.019	-1.127
30	440	.167	.093	-	-1.033	30	611	-.136	.066	-.074	-.392	30	706	-.352	.139	-.106	-1.246
30	467	.182	.047	-	-1.699	30	612	-.123	.062	-.082	-.330	30	707	-.356	.124	-.033	-.965
30	522	.279	.188	-	-2.271	30	613	-.124	.060	-.138	-.425	30	708	-.429	.178	-.029	-1.617
30	410	.297	.375	-	-2.015	30	614	-.122	.077	-.210	-.488	30	709	-.317	.121	-.092	-.962
30	409	.144	.139	-	-.985	30	615	-.105	.075	-.159	-.495	30	710	-.325	.121	-.038	-1.042
30	426	.164	.101	-	-1.193	30	616	-.310	.077	-.093	-.735	30	711	-.418	.182	-.070	-1.609
30	383	.152	.204	-	-1.209	30	617	-.327	.093	-.076	-.772	30	712	-.342	.137	-.067	-1.168
30	326	.115	.040	-	-.742	30	618	-.373	.094	-.096	-.742	30	713	-.296	.085	-.054	-.738
30	321	.112	.047	-	-.755	30	619	-.318	.081	-.058	-.649	30	715	-.320	.099	-.028	-.728
30	291	.118	.118	-	-.762	30	620	-.241	.069	-.051	-.536	30	716	-.233	.089	-.105	-.551
30	424	.110	.105	-	-1.048	30	621	-.222	.072	-.018	-.508	30	717	-.304	.090	-.019	-.729
30	811	.209	.000	-	-1.579	30	622	-.224	.077	-.013	-.535	30	718	-.293	.105	-.089	-.727
30	943	.225	.056	-	-1.685	30	623	-.176	.066	-.047	-.407	30	719	-.195	.093	-.021	-.526
30	368	.143	.025	-	-1.351	30	624	-.139	.064	-.062	-.370	30	720	-.289	.091	-.017	-.773
30	581	.230	.237	-	-1.314	30	625	-.287	.086	-.058	-.732	30	721	-.271	.097	-.042	-.771
30	331	.128	.055	-	-.934	30	626	-.339	.091	-.069	-.774	30	722	-.200	.090	-.188	-.584
30	309	.097	.062	-	-.817	30	627	-.282	.101	-.110	-.660	30	723	-.276	.088	-.054	-.608
30	401	.134	.082	-	-1.030	30	628	-.179	.079	-.066	-.545	30	724	-.274	.097	-.048	-.849
30	392	.102	.085	-	-.842	30	629	-.208	.090	-.069	-.516	30	725	-.242	.095	-.137	-.660
30	393	.085	.091	-	-.702	30	630	-.237	.091	-.002	-.562	30	726	-.221	.094	-.138	-.640
30	525	.179	.481	-	-1.187	30	631	-.241	.084	-.025	-.577	30	727	-.366	.148	-.028	-1.586
30	859	.207	.154	-	-1.565	30	632	-.173	.066	-.066	-.425	30	728	-.294	.093	-.007	-.687
30	665	.216	.018	-	-1.381	30	633	-.130	.058	-.062	-.338	30	729	-.253	.093	-.026	-.564
30	361	.150	.102	-	-1.167	30	634	-.194	.086	-.082	-.662	30	730	-.242	.101	-.099	-.785

APPENDIX A -- PRESSURE DATA:

MAIN PLACE HOTEL -- CONF. B -- DALLAS , TEXAS

WD	TAP	CPMEAN	CPRMS	CPMAX	CPMIN	WD	TAP	CPMEAN	CPRMS	CPMAX	CPMIN	WD	TAP	CPMEAN	CPRMS	CPMAX	CPMIN
330	7331	405	120	082	913	45	33	213	061	052	515	45	83	176	038	016	317
330	7332	374	129	078	024	45	34	223	059	065	441	45	84	179	044	011	334
330	7333	422	116	079	913	45	35	217	055	057	456	45	85	199	059	012	331
330	7334	290	119	144	849	45	36	183	054	122	403	45	86	120	052	107	320
330	7335	279	136	293	814	45	37	217	059	024	441	45	87	135	058	097	329
330	7336	385	119	216	867	45	38	241	064	017	534	45	88	136	055	123	379
330	7337	214	094	122	726	45	39	191	045	049	589	45	89	155	054	087	444
330	7338	186	121	229	866	45	40	236	054	057	564	45	90	125	049	107	273
330	7339	350	128	199	767	45	41	195	045	007	361	45	91	151	045	108	280
330	740	211	093	145	761	45	42	162	043	028	316	45	92	141	042	018	265
330	741	174	138	324	713	45	43	190	046	024	392	45	93	148	043	012	281
330	742	314	121	167	776	45	44	211	053	002	444	45	94	118	041	025	337
330	743	197	094	284	656	45	45	226	062	024	533	45	95	158	042	009	335
330	744	155	100	181	835	45	46	209	066	070	344	45	96	161	049	043	432
330	745	163	134	442	695	45	47	223	066	040	500	45	97	172	049	000	729
330	746	262	147	737	799	45	48	234	066	060	538	45	98	144	051	004	501
330	747	099	045	191	002	45	49	238	071	033	538	45	99	178	054	025	366
330	748	294	035	192	403	45	50	202	069	145	522	45	100	167	059	091	797
45	1	224	048	067	523	45	51	234	068	002	522	45	101	188	072	084	488
45	2	199	052	033	525	45	52	244	069	005	533	45	102	168	086	085	620
45	3	193	047	009	366	45	53	224	064	005	422	45	103	222	106	039	715
45	4	204	048	005	366	45	54	177	055	033	391	45	104	222	151	112	111
45	5	201	048	002	363	45	55	208	054	021	489	45	105	222	222	349	338
45	6	171	048	037	347	45	56	220	060	026	441	45	106	199	039	087	479
45	7	204	050	019	378	45	57	230	064	143	530	45	107	233	046	122	628
45	8	220	053	062	414	45	58	218	085	040	808	45	108	183	037	048	329
45	9	212	053	029	494	45	59	268	116	009	970	45	109	183	040	007	341
45	10	181	053	061	475	45	60	204	046	012	992	45	110	150	042	002	515
45	11	215	054	005	508	45	61	198	048	031	423	45	111	199	060	000	467
45	12	229	054	002	486	45	62	175	053	007	452	45	112	125	057	151	306
45	13	224	053	024	423	45	63	171	047	005	316	45	113	125	064	192	356
45	14	190	051	007	379	45	64	157	052	105	311	45	114	102	061	139	347
45	15	223	052	012	408	45	65	151	049	071	297	45	115	141	057	099	333
45	16	237	055	024	452	45	66	120	046	075	251	45	116	151	050	069	322
45	17	228	060	057	504	45	67	150	047	047	297	45	117	159	044	005	316
45	18	196	061	042	492	45	68	161	040	002	270	45	118	122	042	020	291
45	19	236	065	026	604	45	69	151	050	090	299	45	119	146	044	018	306
45	20	269	074	038	706	45	70	117	048	131	265	45	120	144	043	053	288
45	21	273	097	002	803	45	71	146	049	099	288	45	121	174	043	016	449
45	22	199	048	033	349	45	72	161	049	067	306	45	122	150	042	007	333
45	23	196	046	012	363	45	73	162	048	031	344	45	123	176	048	002	586
45	24	163	047	009	351	45	74	133	048	044	326	45	124	169	050	030	373
45	25	200	052	026	430	45	75	165	052	052	352	45	125	185	052	019	463
45	26	214	055	014	457	45	76	187	055	024	400	45	126	151	061	101	517
45	27	210	059	055	482	45	77	193	054	049	419	45	127	189	087	138	699
45	28	176	057	047	454	45	78	163	054	107	391	45	128	208	112	098	771
45	29	210	058	054	538	45	79	210	069	028	577	45	129	276	142	068	980
45	30	214	060	034	511	45	80	214	040	059	661	45	130	236	153	116	933
45	31	216	063	040	573	45	81	248	051	070	666	45	131	258	316	297	588
45	32	185	061	063	492	45	82	159	035	000	68	45	132	258	042	096	409

APPENDIX A -- PRESSURE DATA: MAIN PLACE HOTEL -- CONF. B -- DALLAS , TEXAS

WD	TAP	CPMEAN	CPRMS	CPMAX	CPMIN	WD	TAP	CPMEAN	CPRMS	CPMAX	CPMIN	WD	TAP	CPMEAN	CPRMS	CPMAX	CPMIN
45	133	.245	.045	.119	.468	45	183	.503	.295	.337	-.608	45	317	.038	.155	.640	.580
45	134	.157	.035	.018	.300	45	184	.179	.044	.017	-.371	45	318	.032	.148	.553	.489
45	135	.180	.037	.034	.329	45	185	.170	.048	.048	-.383	45	319	.046	.133	.447	.523
45	136	.169	.042	.027	.366	45	186	.176	.054	.024	-.360	45	320	.132	.091	.189	.489
45	137	.201	.056	.016	.465	45	187	.195	.066	.044	-.542	45	321	.092	.135	.507	.511
45	138	.108	.062	.174	.335	45	188	.203	.074	.039	-.538	45	322	.061	.147	.544	.439
45	139	.128	.066	.232	.320	45	189	.165	.040	.000	-.292	45	323	.032	.155	.586	.454
45	140	.136	.062	.204	.327	45	190	.167	.043	.007	-.307	45	324	.013	.159	.568	.505
45	141	.159	.055	.117	.370	45	191	.177	.050	.065	-.399	45	325	.018	.143	.466	.420
45	142	.140	.047	.103	.304	45	192	.187	.059	.103	-.411	45	326	.028	.139	.464	.343
45	143	.164	.042	.030	.297	45	193	.179	.070	.108	-.476	45	327	.024	.121	.406	.348
45	144	.145	.047	.034	.316	45	194	.176	.034	.062	-.329	45	328	.018	.105	.307	.459
45	145	.152	.048	.042	.318	45	195	.211	.044	.058	-.391	45	329	.043	.094	.282	.433
45	146	.124	.045	.069	.289	45	196	.181	.036	.046	-.386	45	330	.141	.064	.137	.555
45	147	.173	.044	.028	.345	45	197	.172	.038	.022	-.423	45	331	.063	.188	.895	.463
45	148	.176	.049	.016	.391	45	198	.176	.037	.060	-.362	45	332	.101	.196	.739	.505
45	149	.184	.050	.033	.351	45	199	.181	.042	.010	-.586	45	333	.125	.191	.715	.433
45	150	.153	.052	.009	.396	45	200	.224	.079	.066	-.589	45	334	.164	.174	.690	.359
45	151	.187	.056	.021	.476	45	201	.230	.082	.109	-.555	45	335	.033	.121	.600	.387
45	152	.176	.073	.044	.491	45	202	.276	.093	.002	-.819	45	336	.022	.098	.471	.507
45	153	.186	.095	.093	.632	45	203	.315	.103	.039	-.019	45	337	.057	.086	.447	.445
45	154	.221	.127	.146	.910	45	204	.357	.161	.032	-1.170	45	338	.076	.072	.164	.336
45	155	.326	.147	.119	.099	45	205	.446	.205	.220	-1.548	45	339	.074	.066	.173	.311
45	156	.290	.219	.215	.442	45	206	.134	.030	.036	-.247	45	340	.187	.067	.053	.483
45	157	.470	.345	.399	.730	45	207	.146	.034	.015	-.269	45	341	.256	.205	.147	.338
45	158	.212	.040	.094	.434	45	208	.149	.033	.039	-.286	45	342	.306	.207	.975	.361
45	159	.242	.049	.114	.511	45	209	.147	.035	.007	-.277	45	343	.304	.193	.904	.291
45	160	.179	.034	.059	.313	45	210	.156	.035	.043	-.312	45	344	.255	.158	.789	.246
45	161	.168	.035	.043	.301	45	211	.161	.033	.036	-.286	45	345	.017	.088	.339	.339
45	162	.170	.037	.026	.338	45	212	.193	.082	.193	-.494	45	346	.187	.099	.098	.576
45	163	.196	.047	.051	.397	45	213	.201	.078	.230	-.495	45	347	.225	.097	.092	.553
45	164	.142	.058	.247	.342	45	214	.234	.086	.166	-.569	45	348	.212	.080	.045	.505
45	165	.129	.062	.172	.325	45	215	.232	.086	.012	-.654	45	349	.200	.065	.032	.459
45	166	.136	.062	.175	.334	45	216	.283	.126	.081	-.845	45	350	.207	.054	.011	.384
45	167	.157	.057	.114	.346	45	301	.205	.094	.280	-.537	45	351	.196	.183	.816	.387
45	168	.157	.051	.105	.330	45	302	.185	.108	.336	-.543	45	352	.245	.184	.841	.316
45	169	.145	.045	.071	.274	45	303	.172	.118	.576	-.525	45	353	.242	.178	.823	.328
45	170	.146	.047	.012	.298	45	304	.151	.128	.564	-.538	45	354	.217	.157	.720	.267
45	171	.148	.044	.017	.298	45	305	.126	.136	.490	-.727	45	355	.021	.088	.364	.346
45	172	.146	.046	.027	.323	45	306	.104	.129	.338	-.473	45	356	.194	.085	.075	.516
45	173	.151	.045	.014	.316	45	307	.067	.166	.627	-.731	45	357	.219	.097	.071	.583
45	174	.161	.047	.010	.322	45	308	.054	.155	.442	-.652	45	358	.111	.082	.169	.416
45	175	.177	.048	.010	.441	45	309	.071	.150	.376	-.684	45	359	.259	.103	.062	.851
45	176	.172	.050	.000	.428	45	310	.149	.102	.292	-.573	45	360	.202	.066	.009	.525
45	177	.171	.055	.002	.419	45	311	.192	.097	.424	-.484	45	361	.167	.164	.695	.362
45	178	.191	.072	.072	.497	45	312	.171	.110	.505	-.480	45	362	.235	.163	.868	.320
45	179	.229	.091	.044	.685	45	313	.163	.121	.523	-.516	45	363	.227	.150	.798	.344
45	180	.263	.108	.034	.743	45	314	.118	.140	.425	-.642	45	364	.173	.121	.589	.261
45	181	.341	.135	.043	.029	45	315	.075	.134	.410	-.523	45	365	.041	.072	.275	.333
45	182	.328	.226	.362	.507	45	316	.057	.153	.564	-.561	45	366	.154	.079	.080	.420

APPENDIX A -- PRESSURE DATA:

MAIN PLACE HOTEL -- CONF. B -- DALLAS , TEXAS

WD	TAP	CPMEAN	CPRMS	CPMAX	CPMIN	WD	TAP	CPMEAN	CPRMS	CPMAX	CPMIN	WD	TAP	CPMEAN	CPRMS	CPMAX	CPMIN
45	367	.124	.062	.067	.385	45	442	.201	.033	.094	.347	45	534	.234	.071	.049	.749
45	368	.049	.090	.414	.335	45	443	.210	.034	.095	.339	45	535	.221	.076	.027	.657
45	369	.102	.125	.566	.335	45	444	.225	.036	.109	.339	45	536	.245	.119	.137	.019
45	370	.358	.157	1.042	.107	45	445	.219	.038	.106	.384	45	537	.276	.087	.013	.957
45	371	.347	.162	1.116	.113	45	446	.204	.045	.065	.381	45	538	.274	.066	.090	.717
45	372	.187	.122	.709	.000	45	447	.210	.044	.076	.393	45	539	.252	.064	.011	.537
45	373	.077	.088	.431	.229	45	448	.222	.040	.106	.394	45	540	.239	.067	.007	.553
45	374	.052	.083	.368	.233	45	449	.210	.037	.096	.355	45	541	.237	.068	.047	.910
45	375	.105	.070	.120	.494	45	450	.200	.035	.097	.359	45	542	.243	.079	.049	.697
45	401	.214	.074	.016	.582	45	451	.200	.034	.100	.331	45	543	.237	.100	.018	.637
45	402	.224	.075	.032	.647	45	452	.223	.033	.121	.370	45	544	.266	.128	.216	.938
45	403	.215	.074	.041	.577	45	453	.216	.035	.096	.360	45	545	.295	.118	.074	.022
45	404	.206	.066	.007	.522	45	454	.205	.034	.084	.333	45	546	.301	.101	.081	.892
45	405	.210	.063	.034	.555	45	455	.208	.035	.086	.331	45	547	.260	.085	.033	.735
45	406	.216	.056	.034	.580	45	456	.216	.035	.097	.336	45	548	.246	.081	.056	.861
45	407	.212	.046	.081	.415	45	457	.206	.034	.101	.350	45	549	.252	.073	.036	.714
45	408	.226	.047	.085	.535	45	458	.196	.034	.070	.418	45	550	.257	.095	.009	.823
45	409	.221	.055	.084	.454	45	501	.216	.034	.112	.412	45	551	.253	.103	.000	.801
45	410	.202	.063	.019	.499	45	502	.218	.047	.104	.342	45	552	.328	.141	.047	.070
45	411	.209	.063	.041	.533	45	503	.213	.036	.079	.348	45	553	.293	.120	.033	.888
45	412	.221	.061	.060	.589	45	504	.195	.047	.053	.468	45	554	.279	.109	.011	.915
45	413	.212	.060	.022	.539	45	505	.211	.051	.050	.424	45	555	.274	.129	.071	.039
45	414	.202	.056	.031	.666	45	506	.177	.064	.135	.490	45	601	.150	.035	.047	.281
45	415	.207	.050	.052	.444	45	507	.165	.047	.010	.329	45	602	.172	.033	.069	.292
45	416	.221	.045	.080	.486	45	508	.156	.055	.055	.372	45	603	.186	.033	.085	.347
45	417	.215	.045	.077	.410	45	509	.160	.052	.045	.386	45	604	.183	.032	.055	.322
45	418	.206	.048	.068	.454	45	510	.155	.053	.075	.401	45	605	.187	.033	.079	.290
45	419	.192	.044	.057	.399	45	511	.159	.048	.010	.475	45	606	.153	.035	.038	.290
45	420	.204	.045	.060	.411	45	512	.147	.048	.005	.451	45	607	.162	.032	.061	.276
45	421	.197	.043	.065	.348	45	513	.145	.047	.041	.276	45	608	.159	.032	.060	.266
45	422	.187	.040	.058	.333	45	514	.155	.044	.048	.292	45	609	.174	.032	.065	.310
45	423	.194	.037	.064	.334	45	515	.152	.045	.022	.329	45	610	.184	.031	.071	.221
45	424	.210	.036	.104	.353	45	516	.146	.064	.145	.362	45	611	.163	.036	.040	.312
45	425	.207	.037	.089	.333	45	517	.155	.059	.129	.379	45	612	.154	.033	.051	.266
45	426	.200	.038	.080	.444	45	518	.160	.055	.065	.435	45	613	.156	.032	.058	.265
45	427	.207	.040	.088	.403	45	519	.141	.059	.185	.357	45	614	.169	.033	.056	.288
45	428	.206	.039	.087	.500	45	520	.134	.055	.087	.326	45	615	.158	.036	.034	.280
45	429	.199	.039	.060	.000	45	521	.134	.056	.143	.369	45	616	.233	.054	.078	.111
45	430	.189	.037	.068	.328	45	522	.142	.060	.249	.287	45	617	.228	.055	.072	.445
45	431	.195	.035	.081	.255	45	523	.123	.050	.064	.269	45	618	.231	.047	.087	.415
45	432	.209	.033	.106	.199	45	524	.125	.050	.070	.268	45	619	.222	.046	.083	.395
45	433	.204	.034	.110	.337	45	525	.240	.065	.056	.504	45	620	.199	.042	.058	.384
45	434	.197	.033	.106	.223	45	526	.238	.074	.027	.605	45	621	.200	.042	.056	.364
45	435	.206	.034	.112	.444	45	527	.275	.100	.056	.924	45	622	.208	.041	.083	.361
45	436	.220	.035	.118	.752	45	528	.279	.063	.088	.677	45	623	.188	.038	.081	.339
45	437	.211	.040	.079	.333	45	529	.263	.067	.029	.578	45	624	.158	.035	.049	.293
45	438	.201	.039	.075	.443	45	530	.278	.065	.036	.621	45	625	.208	.052	.045	.438
45	439	.210	.038	.095	.588	45	531	.240	.056	.064	.466	45	626	.221	.051	.040	.475
45	440	.221	.036	.109	.600	45	532	.235	.060	.058	.497	45	627	.211	.055	.031	.572
45	441	.211	.033	.113	.388	45	533	.227	.056	.058	.823	45	628	.175	.046	.029	.344

APPENDIX A -- PRESSURE DATA:

MAIN PLACE HOTEL -- CONF. B -- DALLAS, TEXAS

WD	TAP	CPMEAN	CPRMS	CPMAX	CPMIN	WD	TAP	CPMEAN	CPRMS	CPMAX	CPMIN	WD	TAP	CPMEAN	CPRMS	CPMAX	CPMIN
44	629	177	0446	0116	3351	45	725	181	0300	079	320	60	27	070	082	336	304
44	630	187	0444	0333	3375	45	726	169	031	069	322	60	28	042	080	405	277
44	631	186	0422	043	350	45	727	189	036	065	325	60	29	075	083	361	340
44	632	156	036	036	275	45	728	174	036	048	331	60	30	115	075	258	391
44	633	151	035	036	259	45	729	192	037	067	333	60	31	105	081	232	392
44	634	181	0506	002	544	45	730	182	041	049	335	60	32	088	075	236	381
44	635	194	0507	016	493	45	731	183	106	235	338	60	33	121	074	166	381
44	636	123	052	093	309	45	732	186	080	114	333	60	34	133	069	195	371
44	637	090	055	126	261	45	733	186	088	146	335	60	35	133	064	248	339
44	638	102	050	181	263	45	734	195	062	065	474	60	36	100	058	195	266
44	639	110	045	112	271	45	735	175	068	094	484	60	37	133	057	134	333
44	640	108	033	038	224	45	736	208	080	137	502	60	38	162	057	091	408
44	641	115	038	045	381	45	737	184	048	007	64	60	39	154	047	007	387
44	642	259	113	054	681	45	738	184	053	027	402	60	40	245	079	051	710
44	643	201	071	022	484	45	739	196	079	139	531	60	41	104	059	158	318
44	644	158	054	036	375	45	740	168	041	039	455	60	42	055	063	229	318
44	645	130	059	087	343	45	741	162	058	123	400	60	43	070	069	226	280
44	646	149	050	043	395	45	742	200	075	040	337	60	44	081	076	291	333
44	647	281	115	027	722	45	743	157	045	025	366	60	45	092	102	320	543
44	648	173	064	004	614	45	744	151	048	076	332	60	46	111	113	341	693
44	649	135	048	031	602	45	745	145	060	204	337	60	47	087	102	321	555
44	650	130	044	036	339	45	746	136	080	203	418	60	48	093	102	281	77
44	651	144	037	005	288	45	747	147	040	241	633	60	49	105	100	424	331
44	652	174	066	040	427	45	748	169	027	085	57	60	50	088	095	300	458
44	653	122	052	067	298	60	1	183	049	021	396	60	51	120	089	254	451
44	654	111	049	067	330	60	2	197	067	016	490	60	52	138	086	296	486
44	655	115	043	050	290	60	3	116	059	227	409	60	53	133	081	167	333
44	701	181	038	038	304	60	4	113	063	251	403	60	54	099	065	142	444
44	702	166	041	000	318	60	5	097	062	137	333	60	55	125	058	088	296
44	703	171	049	000	341	60	6	064	062	179	373	60	56	141	060	129	310
44	704	164	062	039	480	60	7	094	066	206	451	60	57	154	057	114	339
44	705	177	083	112	603	60	8	109	067	190	338	60	58	189	075	087	474
44	706	173	033	029	318	60	9	099	071	176	420	60	59	203	057	081	421
44	707	176	045	038	395	60	10	073	069	263	318	60	60	104	058	176	265
44	708	196	068	002	580	60	11	109	070	208	416	60	61	063	073	241	315
44	709	187	038	052	353	60	12	128	070	216	410	60	62	035	076	318	293
44	710	184	044	045	385	60	13	126	068	181	334	60	63	022	079	437	277
44	711	207	066	034	581	60	14	100	065	222	291	60	64	020	078	389	263
44	712	183	046	043	466	60	15	136	063	183	331	60	65	022	076	385	332
44	713	188	043	049	472	60	16	153	063	265	314	60	66	002	069	378	268
44	715	177	036	054	424	60	17	150	057	369	334	60	67	028	067	333	287
44	716	165	036	043	361	60	18	123	055	304	300	60	68	032	060	185	442
44	717	187	034	067	344	60	19	165	056	183	333	60	69	009	068	431	211
44	718	175	034	060	307	60	20	230	061	061	516	60	70	019	066	437	172
44	719	171	033	061	283	60	21	208	050	021	494	60	71	007	067	442	201
44	720	175	035	062	292	60	22	116	060	134	448	60	72	024	064	216	223
44	721	195	036	081	324	60	23	093	061	185	348	60	73	040	066	255	250
44	722	169	033	051	280	60	24	054	063	247	666	60	74	024	064	250	243
44	723	182	033	074	354	60	25	080	070	192	333	60	75	064	070	257	273
44	724	181	039	039	354	60	26	087	079	258	579	60	76	089	072	256	284

APPENDIX A -- PRESSURE DATA: MAIN PLACE HOTEL -- CONF. B -- DALLAS , TEXAS

WD	TAP	CPMEAN	CPRMS	CPMAX	CPMIN	WD	TAP	CPMEAN	CPRMS	CPMAX	CPMIN	WD	TAP	CPMEAN	CPRMS	CPMAX	CPMIN
60	77	.117	.070	.187	.386	60	127	.085	.054	.235	.293	60	177	.061	.041	.066	.233
60	78	.085	.060	.221	.386	60	128	.077	.065	.221	.362	60	178	.068	.043	.092	.219
60	79	.137	.058	.144	.347	60	129	.107	.089	.279	.586	60	179	.073	.051	.107	.251
60	80	.167	.040	.049	.358	60	130	.070	.070	.210	.284	60	180	.077	.058	.137	.307
60	81	.255	.074	.097	.641	60	131	.116	.103	.373	.476	60	181	.106	.106	.181	.641
60	82	.066	.053	.248	.261	60	132	.156	.036	.043	.367	60	182	.034	.082	.302	.358
60	83	.056	.063	.261	.263	60	133	.188	.044	.044	.404	60	183	.035	.095	.398	.443
60	84	.037	.066	.362	.221	60	134	.097	.036	.095	.237	60	184	.106	.038	.034	.281
60	85	.047	.071	.288	.270	60	135	.114	.041	.103	.267	60	185	.097	.040	.054	.284
60	86	.008	.074	.431	.337	60	136	.106	.040	.077	.244	60	186	.100	.046	.052	.368
60	87	.033	.070	.433	.224	60	137	.116	.045	.103	.283	60	187	.095	.048	.069	.346
60	88	.022	.063	.251	.223	60	138	.066	.048	.202	.204	60	188	.082	.048	.086	.415
60	89	.044	.057	.209	.222	60	139	.081	.052	.166	.228	60	189	.089	.031	.038	.214
60	90	.022	.050	.170	.179	60	140	.070	.053	.197	.238	60	190	.091	.034	.047	.219
60	91	.033	.050	.196	.187	60	141	.072	.049	.204	.228	60	191	.090	.043	.071	.249
60	92	.022	.054	.159	.184	60	142	.061	.044	.156	.206	60	192	.090	.048	.086	.365
60	93	.037	.054	.151	.184	60	143	.079	.043	.131	.239	60	193	.072	.046	.094	.237
60	94	.011	.052	.191	.145	60	144	.072	.041	.148	.236	60	194	.129	.033	.000	.000
60	95	.048	.050	.153	.181	60	145	.069	.042	.160	.222	60	195	.165	.039	.040	.344
60	96	.052	.054	.174	.204	60	146	.055	.040	.177	.216	60	196	.117	.032	.019	.281
60	97	.066	.053	.165	.230	60	147	.087	.040	.069	.265	60	197	.100	.033	.033	.333
60	98	.043	.052	.164	.221	60	148	.096	.043	.079	.266	60	198	.100	.032	.045	.259
60	99	.070	.054	.138	.243	60	149	.090	.043	.066	.259	60	199	.101	.032	.038	.220
60	100	.067	.059	.180	.230	60	150	.074	.043	.090	.248	60	200	.069	.052	.110	.243
60	101	.082	.059	.176	.205	60	151	.099	.044	.067	.271	60	201	.055	.055	.130	.249
60	102	.065	.060	.189	.270	60	152	.068	.048	.142	.243	60	202	.088	.057	.106	.347
60	103	.107	.069	.172	.422	60	153	.058	.054	.169	.256	60	203	.120	.084	.137	.594
60	104	.146	.094	.322	.553	60	154	.058	.062	.219	.366	60	204	.080	.073	.199	.627
60	105	.184	.093	.233	.553	60	155	.087	.102	.230	.537	60	205	.061	.103	.437	.918
60	106	.143	.037	.034	.319	60	156	.034	.095	.423	.305	60	206	.095	.032	.073	.196
60	107	.219	.060	.045	.354	60	157	.035	.113	.402	.423	60	207	.093	.037	.062	.249
60	108	.099	.046	.197	.299	60	158	.150	.032	.061	.271	60	208	.085	.029	.026	.185
60	109	.085	.054	.244	.258	60	159	.181	.041	.064	.410	60	209	.069	.032	.040	.197
60	110	.048	.056	.282	.258	60	160	.114	.031	.012	.235	60	210	.076	.033	.047	.217
60	111	.075	.064	.274	.293	60	161	.097	.032	.026	.223	60	211	.086	.033	.043	.204
60	112	.054	.064	.311	.244	60	162	.095	.033	.014	.224	60	212	.073	.046	.096	.255
60	113	.062	.062	.246	.224	60	163	.108	.038	.040	.263	60	213	.076	.045	.075	.261
60	114	.038	.058	.305	.208	60	164	.075	.040	.125	.209	60	214	.091	.050	.090	.304
60	115	.064	.057	.274	.233	60	165	.054	.044	.146	.190	60	215	.098	.053	.114	.270
60	116	.060	.050	.144	.212	60	166	.053	.045	.125	.198	60	216	.110	.063	.154	.377
60	117	.063	.048	.151	.204	60	167	.060	.041	.090	.187	60	301	.214	.058	.074	.545
60	118	.033	.047	.210	.160	60	168	.062	.041	.091	.207	60	302	.210	.055	.021	.524
60	119	.053	.049	.215	.181	60	169	.035	.048	.191	.168	60	303	.202	.060	.045	.516
60	120	.050	.048	.191	.182	60	170	.054	.041	.104	.229	60	304	.200	.058	.036	.487
60	121	.075	.046	.103	.220	60	171	.058	.041	.107	.189	60	305	.175	.057	.082	.451
60	122	.059	.045	.105	.198	60	172	.063	.043	.118	.187	60	306	.165	.056	.087	.432
60	123	.083	.049	.112	.304	60	173	.057	.042	.141	.186	60	307	.155	.056	.111	.365
60	124	.074	.047	.118	.371	60	174	.060	.041	.106	.205	60	308	.157	.054	.074	.415
60	125	.086	.046	.105	.277	60	175	.062	.040	.064	.272	60	309	.143	.054	.094	.453
60	126	.059	.046	.166	.223	60	176	.066	.040	.058	.243	60	310	.142	.054	.156	.468

APPENDIX A -- PRESSURE DATA: MAIN PLACE HOTEL -- CONF. B -- DALLAS , TEXAS

WD	TAP	CP	MEAN	CP	RMS	CP	MAX	CP	MIN	WD	TAP	CP	MEAN	CP	RMS	CP	MAX	CP	MIN	WD	TAP	CP	MEAN	CP	RMS	CP	MAX	CP	MIN
60	311	..	212	..	065	..	067	..	51	60	361	..	179	..	142	..	488	..	773	60	436	..	158	..	039	..	037	..	334
60	312	..	209	..	066	..	094	..	55	60	362	..	136	..	095	..	445	..	682	60	437	..	140	..	032	..	030	..	277
60	313	..	207	..	066	..	085	..	58	60	363	..	123	..	077	..	342	..	448	60	438	..	131	..	031	..	030	..	279
60	314	..	190	..	064	..	126	..	44	60	364	..	129	..	068	..	274	..	358	60	439	..	137	..	031	..	030	..	248
60	315	..	162	..	062	..	173	..	42	60	365	..	158	..	054	..	170	..	364	60	440	..	147	..	030	..	030	..	252
60	316	..	154	..	064	..	141	..	54	60	366	..	153	..	049	..	025	..	347	60	441	..	143	..	029	..	030	..	240
60	317	..	148	..	065	..	152	..	00	60	367	..	139	..	044	..	032	..	367	60	442	..	135	..	030	..	030	..	239
60	318	..	133	..	060	..	129	..	00	60	368	..	098	..	060	..	192	..	285	60	443	..	144	..	030	..	030	..	260
60	319	..	123	..	057	..	115	..	11	60	369	..	040	..	100	..	343	..	663	60	444	..	156	..	032	..	030	..	301
60	320	..	133	..	050	..	034	..	11	60	370	..	062	..	101	..	388	..	833	60	445	..	148	..	032	..	030	..	312
60	321	..	274	..	104	..	191	..	44	60	371	..	077	..	089	..	517	..	286	60	446	..	128	..	031	..	030	..	334
60	322	..	241	..	098	..	046	..	33	60	372	..	105	..	073	..	349	..	283	60	447	..	135	..	030	..	030	..	248
60	323	..	209	..	089	..	102	..	63	60	373	..	121	..	063	..	253	..	297	60	448	..	145	..	028	..	030	..	257
60	324	..	191	..	080	..	139	..	77	60	374	..	106	..	062	..	170	..	301	60	449	..	136	..	030	..	030	..	245
60	325	..	166	..	067	..	140	..	22	60	375	..	122	..	046	..	051	..	300	60	450	..	125	..	028	..	030	..	221
60	326	..	144	..	064	..	184	..	35	60	401	..	146	..	051	..	011	..	365	60	451	..	131	..	029	..	030	..	238
60	327	..	125	..	060	..	118	..	22	60	402	..	153	..	050	..	028	..	359	60	452	..	155	..	029	..	030	..	269
60	328	..	126	..	055	..	075	..	46	60	403	..	146	..	043	..	016	..	326	60	453	..	146	..	031	..	030	..	273
60	329	..	127	..	052	..	113	..	33	60	404	..	138	..	039	..	025	..	291	60	454	..	138	..	030	..	030	..	254
60	330	..	134	..	044	..	039	..	70	60	405	..	148	..	039	..	036	..	303	60	455	..	146	..	030	..	030	..	265
60	331	..	253	..	133	..	319	..	66	60	406	..	157	..	039	..	025	..	304	60	456	..	158	..	030	..	030	..	289
60	332	..	221	..	121	..	246	..	88	60	407	..	157	..	042	..	027	..	304	60	457	..	150	..	032	..	030	..	280
60	333	..	196	..	101	..	216	..	22	60	408	..	171	..	046	..	050	..	364	60	458	..	138	..	031	..	030	..	244
60	334	..	163	..	081	..	335	..	44	60	409	..	165	..	047	..	025	..	332	60	459	..	152	..	033	..	030	..	226
60	335	..	140	..	066	..	203	..	33	60	410	..	144	..	041	..	015	..	358	60	460	..	157	..	032	..	030	..	257
60	336	..	148	..	059	..	112	..	28	60	411	..	151	..	040	..	017	..	346	60	461	..	153	..	030	..	030	..	307
60	337	..	147	..	056	..	067	..	41	60	412	..	164	..	037	..	037	..	326	60	462	..	139	..	030	..	030	..	259
60	338	..	132	..	048	..	057	..	33	60	413	..	158	..	036	..	010	..	300	60	463	..	145	..	031	..	030	..	280
60	339	..	116	..	046	..	088	..	22	60	414	..	145	..	035	..	012	..	276	60	464	..	155	..	034	..	030	..	277
60	340	..	144	..	038	..	010	..	77	60	415	..	153	..	036	..	034	..	273	60	465	..	051	..	039	..	030	..	176
60	341	..	224	..	137	..	203	..	99	60	416	..	167	..	038	..	042	..	309	60	466	..	035	..	047	..	030	..	184
60	342	..	162	..	110	..	200	..	56	60	417	..	160	..	041	..	015	..	317	60	467	..	049	..	046	..	030	..	248
60	343	..	131	..	090	..	476	..	35	60	418	..	149	..	043	..	000	..	318	60	468	..	067	..	045	..	030	..	279
60	344	..	121	..	085	..	490	..	49	60	419	..	145	..	038	..	034	..	344	60	469	..	049	..	046	..	030	..	178
60	345	..	149	..	065	..	124	..	00	60	420	..	158	..	038	..	050	..	317	60	470	..	037	..	046	..	030	..	219
60	346	..	167	..	059	..	044	..	44	60	421	..	153	..	035	..	047	..	397	60	471	..	052	..	042	..	030	..	221
60	347	..	169	..	056	..	005	..	34	60	422	..	137	..	030	..	045	..	259	60	472	..	057	..	043	..	030	..	174
60	348	..	158	..	044	..	025	..	44	60	423	..	140	..	029	..	047	..	243	60	473	..	048	..	049	..	030	..	196
60	349	..	149	..	039	..	014	..	33	60	424	..	153	..	030	..	045	..	262	60	474	..	066	..	077	..	030	..	308
60	350	..	135	..	034	..	018	..	22	60	425	..	150	..	033	..	017	..	295	60	475	..	057	..	080	..	030	..	327
60	351	..	163	..	123	..	231	..	70	60	426	..	141	..	035	..	000	..	306	60	476	..	029	..	090	..	030	..	416
60	352	..	130	..	093	..	422	..	59	60	427	..	146	..	038	..	012	..	314	60	477	..	009	..	097	..	030	..	354
60	353	..	123	..	083	..	394	..	45	60	428	..	154	..	035	..	020	..	301	60	478	..	007	..	070	..	030	..	187
60	354	..	108	..	082	..	390	..	37	60	429	..	147	..	036	..	040	..	310	60	479	..	002	..	073	..	030	..	224
60	355	..	130	..	055	..	205	..	44	60	430	..	135	..	033	..	035	..	291	60	480	..	006	..	078	..	030	..	219
60	356	..	162	..	041	..	032	..	53	60	431	..	138	..	030	..	027	..	260	60	481	..	017	..	063	..	030	..	152
60	357	..	167	..	049	..	014	..	40	60	432	..	151	..	030	..	027	..	249	60	482	..	008	..	063	..	030	..	158
60	358	..	130	..	046	..	037	..	60	60	433	..	147	..	031	..	057	..	282	60	483	..	187	..	076	..	030	..	546
60	359	..	159	..	046	..	023	..	41	60	434	..	139	..	033	..	047	..	281	60	484	..	188	..	052	..	030	..	546
60	360	..	143	..	037	..	027	..	29	60	435	..	146	..	036	..	039	..	314	60	485	..	165	..	051	..	030	..	451

APPENDIX A -- PRESSURE DATA:

MAIN PLACE HOTEL -- CONF. B -- DALLAS , TEXAS

WD	TAP	CPMEAN	CPRMS	CPMAX	CPMIN	WD	TAP	CPMEAN	CPRMS	CPMAX	CPMIN	WD	TAP	CPMEAN	CPRMS	CPMAX	CPMIN
60	528	.221	.056	.232	.505	60	623	.141	.028	.045	.252	60	719	.118	.032	.000	.256
60	529	.206	.075	.167	.497	60	624	.120	.029	.013	.230	60	720	.098	.033	.020	.248
60	530	.214	.082	.332	.485	60	625	.129	.033	.034	.252	60	721	.119	.033	.000	.250
60	531	.177	.082	.236	.418	60	626	.137	.033	.040	.268	60	722	.096	.031	.011	.250
60	532	.186	.085	.408	.557	60	627	.145	.033	.047	.256	60	723	.128	.035	.009	.253
60	533	.189	.054	.011	.548	60	628	.119	.031	.018	.253	60	724	.089	.033	.011	.250
60	534	.185	.045	.040	.341	60	629	.113	.031	.002	.207	60	725	.102	.032	.053	.215
60	535	.158	.039	.002	.398	60	630	.124	.031	.027	.294	60	726	.095	.032	.007	.210
60	536	.149	.060	.250	.406	60	631	.139	.031	.040	.243	60	727	.127	.036	.007	.244
60	537	.186	.054	.147	.354	60	632	.112	.026	.024	.197	60	728	.089	.035	.022	.220
60	538	.208	.084	.395	.519	60	633	.117	.026	.025	.203	60	729	.118	.035	.009	.239
60	539	.189	.079	.206	.493	60	634	.133	.033	.011	.272	60	730	.131	.034	.027	.281
60	540	.192	.092	.273	.696	60	635	.138	.032	.009	.267	60	731	.131	.030	.058	.218
60	541	.193	.054	.016	.488	60	636	.120	.034	.013	.274	60	732	.093	.047	.076	.283
60	542	.188	.044	.002	.371	60	637	.120	.033	.016	.257	60	733	.000	.066	.340	.111
60	543	.160	.040	.004	.303	60	638	.120	.031	.002	.255	60	734	.088	.041	.055	.252
60	544	.166	.056	.018	.412	60	639	.127	.029	.018	.229	60	735	.058	.047	.129	.216
60	545	.188	.009	.009	.415	60	640	.110	.027	.018	.201	60	736	.055	.070	.272	.209
60	546	.204	.056	.007	.499	60	641	.116	.027	.023	.221	60	737	.118	.039	.040	.249
60	547	.182	.053	.206	.431	60	642	.183	.041	.069	.406	60	738	.085	.042	.147	.233
60	548	.181	.061	.092	.442	60	643	.179	.038	.047	.330	60	739	.043	.060	.279	.264
60	549	.192	.064	.067	.464	60	644	.159	.038	.020	.353	60	740	.082	.037	.096	.222
60	550	.179	.053	.065	.442	60	645	.137	.035	.015	.301	60	741	.067	.040	.221	.284
60	551	.156	.044	.009	.362	60	646	.146	.035	.016	.265	60	742	.065	.057	.241	.153
60	552	.171	.053	.016	.446	60	647	.158	.043	.042	.290	60	743	.076	.033	.042	.232
60	553	.167	.049	.004	.350	60	648	.158	.036	.055	.335	60	744	.084	.033	.024	.201
60	554	.169	.048	.002	.467	60	649	.138	.034	.031	.290	60	745	.095	.040	.085	.227
60	555	.154	.053	.022	.426	60	650	.147	.036	.033	.312	60	746	.051	.043	.127	.237
60	601	.120	.025	.032	.221	60	651	.098	.034	.011	.250	60	747	.205	.034	.278	.139
60	602	.133	.029	.031	.216	60	652	.157	.037	.020	.300	60	748	.033	.028	.065	.120
60	603	.140	.027	.027	.234	60	653	.132	.034	.026	.314	75	1	.247	.070	.029	.243
60	604	.115	.030	.013	.239	60	654	.142	.031	.038	.213	75	2	.315	.104	.049	.253
60	605	.133	.031	.002	.268	60	655	.094	.032	.026	.213	75	3	.033	.110	.417	.422
60	606	.120	.026	.040	.236	60	701	.103	.036	.031	.221	75	4	.001	.121	.470	.376
60	607	.126	.029	.025	.245	60	702	.090	.040	.061	.227	75	5	.036	.131	.683	.503
60	608	.111	.025	.029	.192	60	703	.101	.043	.056	.274	75	6	.071	.130	.677	.292
60	609	.121	.028	.000	.216	60	704	.055	.044	.101	.289	75	7	.048	.133	.593	.396
60	610	.134	.028	.036	.239	60	705	.109	.089	.103	.664	75	8	.029	.133	.518	.417
60	611	.115	.025	.022	.184	60	706	.092	.032	.033	.210	75	9	.031	.140	.573	.389
60	612	.100	.026	.013	.181	60	707	.111	.042	.067	.325	75	10	.048	.132	.536	.555
60	613	.109	.029	.014	.210	60	708	.103	.072	.118	.222	75	11	.014	.133	.519	.357
60	614	.116	.029	.011	.198	60	709	.106	.033	.002	.239	75	12	.009	.130	.511	.388
60	615	.117	.026	.016	.200	60	710	.101	.042	.026	.378	75	13	.016	.123	.585	.471
60	616	.128	.032	.015	.256	60	711	.134	.055	.004	.561	75	14	.011	.114	.515	.294
60	617	.137	.033	.011	.266	60	712	.091	.038	.033	.364	75	15	.012	.117	.579	.327
60	618	.144	.031	.036	.241	60	713	.108	.035	.009	.285	75	16	.033	.114	.513	.289
60	619	.142	.032	.047	.247	60	715	.123	.034	.024	.232	75	17	.010	.115	.569	.334
60	620	.117	.029	.033	.212	60	716	.082	.033	.057	.184	75	18	.022	.111	.635	.303
60	621	.126	.029	.036	.248	60	717	.109	.032	.022	.217	75	19	.001	.126	.650	.370
60	622	.138	.029	.036	.270	60	718	.099	.032	.026	.210	75	20	.013	.169	.802	.520

APPENDIX A -- PRESSURE DATA: MAIN PLACE HOTEL -- CONF. B -- DALLAS , TEXAS

WD	TAP	CP	MEAN	CPRMS	CP	MAX	CP	MIN	WD	TAP	CP	MEAN	CPRMS	CP	MAX	CP	MIN	WD	TAP	CP	MEAN	CPRMS	CP	MAX	CP	MIN
75	21	-	.060	.176	.604	-	.530	75	71	.096	.088	.673	-	.145	75	121	.014	.060	.318	-	.196					
75	22	-	.046	.114	.412	-	.458	75	72	.064	.081	.503	-	.169	75	122	.035	.057	.302	-	.174					
75	23	-	.013	.122	.485	-	.437	75	73	.054	.082	.492	-	.275	75	123	.025	.063	.311	-	.325					
75	24	-	.071	.128	.588	-	.399	75	74	.069	.077	.503	-	.179	75	124	.042	.060	.311	-	.237					
75	25	-	.055	.134	.541	-	.399	75	75	.037	.081	.439	-	.289	75	125	.015	.058	.266	-	.270					
75	26	-	.050	.136	.602	-	.373	75	76	.017	.081	.373	-	.347	75	126	.056	.053	.266	-	.093					
75	27	-	.060	.139	.590	-	.406	75	77	.023	.082	.385	-	.244	75	127	.037	.070	.266	-	.196					
75	28	-	.076	.129	.658	-	.379	75	78	.065	.080	.423	-	.191	75	128	.050	.079	.383	-	.204					
75	29	-	.040	.128	.657	-	.417	75	79	.034	.112	.462	-	.529	75	129	.006	.124	.355	-	.738					
75	30	-	.034	.115	.467	-	.341	75	80	-	.223	.063	-	.485	75	130	.139	.135	.382	-	.232					
75	31	-	.018	.120	.638	-	.311	75	81	-	.361	.120	-	.920	75	131	.042	.199	.714	-	.634					
75	32	-	.036	.112	.581	-	.300	75	82	-	.035	.080	-	.274	75	132	.203	.056	.011	-	.487					
75	33	-	.011	.112	.451	-	.375	75	83	-	.010	.095	-	.269	75	133	.295	.077	.104	-	.648					
75	34	-	.003	.108	.474	-	.222	75	84	.037	.098	.509	-	.226	75	134	.048	.052	.161	-	.269					
75	35	-	.017	.111	.628	-	.266	75	85	.010	.118	.504	-	.482	75	135	.033	.057	.234	-	.222					
75	36	-	.044	.102	.642	-	.252	75	86	.121	.101	.521	-	.124	75	136	.009	.061	.222	-	.182					
75	37	-	.019	.104	.486	-	.232	75	87	.109	.102	.554	-	.153	75	137	.039	.077	.302	-	.449					
75	38	-	.000	.121	.498	-	.466	75	88	.106	.096	.547	-	.137	75	138	.057	.070	.408	-	.200					
75	39	-	.219	.066	.007	-	.583	75	89	.062	.088	.459	-	.164	75	139	.045	.071	.409	-	.213					
75	40	-	.356	.139	.012	-	.183	75	90	.083	.074	.460	-	.130	75	140	.051	.066	.337	-	.131					
75	41	-	.029	.107	.404	-	.313	75	91	.072	.069	.431	-	.109	75	141	.018	.062	.380	-	.184					
75	42	-	.048	.116	.480	-	.268	75	92	.099	.077	.472	-	.095	75	142	.048	.055	.354	-	.117					
75	43	-	.060	.127	.560	-	.263	75	93	.080	.081	.463	-	.129	75	143	.036	.053	.287	-	.118					
75	44	-	.054	.135	.583	-	.208	75	94	.114	.074	.463	-	.093	75	144	.051	.056	.259	-	.109					
75	45	-	.064	.147	.647	-	.224	75	95	.056	.069	.336	-	.185	75	145	.029	.057	.247	-	.134					
75	46	-	.064	.130	.578	-	.345	75	96	.034	.066	.328	-	.308	75	146	.064	.054	.248	-	.089					
75	47	-	.056	.131	.628	-	.460	75	97	.013	.065	.313	-	.307	75	147	.018	.052	.205	-	.160					
75	48	-	.029	.129	.578	-	.446	75	98	.057	.064	.332	-	.350	75	148	.019	.051	.230	-	.164					
75	49	-	.030	.124	.471	-	.371	75	99	.037	.063	.340	-	.278	75	149	.002	.050	.196	-	.217					
75	50	-	.041	.119	.513	-	.367	75	100	.059	.065	.390	-	.204	75	150	.037	.047	.239	-	.150					
75	51	-	.006	.115	.498	-	.566	75	101	.034	.074	.355	-	.207	75	151	.015	.047	.213	-	.171					
75	52	-	.010	.114	.426	-	.474	75	102	.078	.080	.413	-	.200	75	152	.004	.055	.203	-	.292					
75	53	-	.001	.112	.526	-	.393	75	103	.030	.124	.458	-	.431	75	153	.006	.056	.220	-	.232					
75	54	-	.036	.089	.458	-	.256	75	104	.132	.179	.808	-	.372	75	154	.002	.062	.233	-	.316					
75	55	-	.007	.085	.420	-	.254	75	105	.046	.237	.731	-	.689	75	155	.021	.087	.271	-	.459					
75	56	-	.002	.094	.436	-	.340	75	106	.191	.056	.017	-	.432	75	156	.011	.116	.497	-	.431					
75	57	-	.007	.118	.483	-	.430	75	107	.312	.095	.084	-	.809	75	157	.071	.135	.429	-	.532					
75	58	-	.061	.158	.712	-	.458	75	108	.066	.061	.168	-	.301	75	158	.164	.042	.028	-	.338					
75	59	-	.015	.189	.749	-	.439	75	109	.030	.070	.274	-	.237	75	159	.242	.066	.043	-	.557					
75	60	-	.057	.105	.393	-	.409	75	110	.033	.072	.365	-	.219	75	160	.080	.041	.100	-	.226					
75	61	-	.062	.129	.576	-	.294	75	111	.001	.093	.398	-	.487	75	161	.040	.042	.143	-	.180					
75	62	-	.092	.134	.642	-	.266	75	112	.076	.081	.461	-	.199	75	162	.031	.043	.163	-	.190					
75	63	-	.117	.128	.645	-	.225	75	113	.065	.086	.502	-	.191	75	163	.037	.047	.188	-	.221					
75	64	-	.106	.117	.585	-	.234	75	114	.091	.077	.447	-	.139	75	164	.004	.048	.246	-	.167					
75	65	-	.107	.109	.621	-	.227	75	115	.055	.074	.411	-	.171	75	165	.024	.051	.289	-	.125					
75	66	-	.115	.095	.531	-	.186	75	116	.060	.072	.328	-	.177	75	166	.026	.051	.281	-	.138					
75	67	-	.083	.091	.491	-	.168	75	117	.045	.066	.337	-	.145	75	167	.036	.059	.304	-	.158					
75	68	-	.079	.073	.400	-	.096	75	118	.093	.064	.352	-	.061	75	168	.027	.058	.297	-	.169					
75	69	-	.099	.092	.679	-	.153	75	119	.078	.068	.353	-	.089	75	169	.045	.060	.270	-	.114					
75	70	-	.125	.090	.705	-	.111	75	120	.077	.063	.328	-	.093	75	170	.043	.056	.298	-	.120					

APPENDIX A -- PRESSURE DATA: MAIN PLACE HOTEL -- CONF. B -- DALLAS , TEXAS

WD	TAP	CPMEAN	CPRMS	CPMAX	CPHIN	WD	TAP	CPMEAN	CPRMS	CPMAX	CPHIN	WD	TAP	CPMEAN	CPRMS	CPMAX	CPHIN
75	171	.035	.049	.283	1.00	75	3305	.162	.057	.022	.442	75	3355	.144	.042	.056	.355
75	172	.024	.052	.292	1.13	75	3306	.153	.048	.015	.368	75	3356	.144	.032	.009	.267
75	173	.032	.049	.297	1.02	75	3307	.160	.048	.060	.354	75	3357	.143	.035	.015	.257
75	174	.025	.046	.260	.095	75	3308	.174	.040	.021	.308	75	3358	.139	.037	.021	.256
75	175	.028	.050	.233	1.10	75	3309	.155	.038	.030	.309	75	3359	.168	.038	.050	.361
75	176	.009	.045	.187	1.13	75	3310	.166	.037	.030	.337	75	3360	.164	.033	.062	.285
75	177	.001	.043	.167	1.32	75	3311	.353	.123	.009	.822	75	3361	.230	.071	.006	.636
75	178	.020	.050	.173	.286	75	3312	.293	.116	.019	.760	75	3362	.202	.069	.013	.604
75	179	.023	.048	.183	.188	75	3313	.240	.093	.000	.710	75	3363	.174	.060	.004	.439
75	180	.039	.051	.197	.215	75	3314	.188	.076	.144	.544	75	3364	.161	.049	.013	.377
75	181	.041	.064	.230	.334	75	3315	.144	.052	.078	.385	75	3365	.148	.038	.028	.291
75	182	.059	.093	.268	.351	75	3316	.132	.045	.049	.338	75	3366	.132	.034	.004	.245
75	183	.115	.088	.216	.374	75	3317	.135	.040	.002	.328	75	3367	.117	.032	.006	.219
75	184	.050	.048	.113	.310	75	3318	.139	.037	.024	.269	75	3368	.106	.038	.047	.220
75	185	.038	.048	.120	.257	75	3319	.131	.035	.017	.253	75	3369	.205	.064	.022	.505
75	186	.040	.048	.123	.238	75	3320	.166	.034	.045	.291	75	3370	.178	.053	.013	.402
75	187	.046	.055	.156	.261	75	3321	.429	.151	.009	1.154	75	3371	.167	.050	.037	.387
75	188	.056	.063	.187	.344	75	3322	.330	.126	.069	.976	75	3372	.148	.043	.011	.332
75	189	.035	.049	.157	.364	75	3323	.263	.103	.035	.857	75	3373	.137	.036	.009	.259
75	190	.038	.053	.183	.361	75	3324	.217	.079	.030	.650	75	3374	.120	.033	.009	.236
75	191	.040	.053	.169	.356	75	3325	.181	.057	.009	.442	75	3375	.114	.030	.017	.242
75	192	.052	.054	.133	.323	75	3326	.155	.050	.017	.421	75	401	.172	.038	.047	.317
75	193	.044	.056	.150	.362	75	3327	.140	.043	.000	.346	75	402	.180	.037	.054	.328
75	194	.109	.036	.008	.276	75	3328	.145	.038	.021	.310	75	403	.173	.039	.043	.333
75	195	.230	.056	.014	.508	75	3329	.148	.037	.028	.289	75	404	.166	.038	.019	.320
75	196	.069	.040	.064	.228	75	3330	.168	.035	.060	.292	75	405	.178	.043	.028	.362
75	197	.038	.041	.127	.180	75	3331	.417	.151	.082	1.294	75	406	.186	.044	.035	.377
75	198	.034	.041	.123	.158	75	3332	.342	.134	.039	.096	75	407	.193	.047	.056	.506
75	199	.030	.041	.130	.151	75	3333	.275	.104	.006	.813	75	408	.207	.051	.066	.567
75	200	.046	.044	.118	.203	75	3334	.223	.082	.045	.621	75	409	.199	.054	.038	.429
75	201	.029	.044	.131	.180	75	3335	.174	.058	.022	.483	75	410	.181	.035	.072	.321
75	202	.050	.045	.135	.208	75	3336	.164	.046	.006	.419	75	411	.189	.034	.089	.331
75	203	.061	.057	.203	.288	75	3337	.156	.040	.002	.324	75	412	.204	.033	.095	.317
75	204	.104	.078	.236	.382	75	3338	.149	.038	.043	.301	75	413	.205	.034	.111	.348
75	205	.124	.073	.147	.327	75	3339	.138	.037	.026	.277	75	414	.192	.035	.086	.340
75	206	.074	.037	.128	.220	75	3340	.168	.031	.063	.281	75	415	.197	.037	.085	.365
75	207	.083	.059	.148	.278	75	411	.374	.134	.065	.938	75	416	.209	.039	.082	.379
75	208	.045	.038	.097	.154	75	412	.289	.117	.028	.883	75	417	.205	.042	.059	.375
75	209	.014	.037	.142	.130	75	3343	.228	.092	.013	.610	75	418	.195	.046	.036	.367
75	210	.010	.037	.133	.125	75	3344	.195	.070	.002	.509	75	419	.197	.032	.078	.298
75	211	.027	.034	.100	.130	75	3345	.174	.049	.000	.390	75	420	.211	.032	.098	.317
75	212	.034	.041	.154	.159	75	3346	.157	.041	.002	.337	75	421	.212	.034	.102	.334
75	213	.025	.040	.182	.150	75	3347	.145	.037	.009	.322	75	422	.198	.033	.097	.312
75	214	.043	.041	.185	.198	75	3348	.153	.034	.000	.295	75	423	.199	.032	.116	.302
75	215	.060	.044	.103	.188	75	3349	.160	.033	.037	.270	75	424	.204	.033	.109	.317
75	216	.162	.085	.187	.459	75	3350	.166	.034	.060	.380	75	425	.192	.034	.093	.386
75	301	.375	.147	.058	.994	75	3351	.259	.094	.000	.885	75	426	.182	.039	.072	.398
75	302	.299	.116	.008	.877	75	3352	.233	.082	.013	.732	75	427	.189	.043	.072	.459
75	303	.244	.094	.018	.765	75	3353	.209	.068	.024	.656	75	428	.206	.032	.091	.336
75	304	.209	.071	.021	.656	75	3354	.173	.056	.056	.423	75	429	.207	.032	.106	.341

APPENDIX A -- PRESSURE DATA:

MAIN PLACE HOTEL -- CONF. B -- DALLAS , TEXAS

WD	TAP	CPMEAN	CPRMS	CPMAX	CPMIN	WD	TAP	CPMEAN	CPRMS	CPMAX	CPMIN	WD	TAP	CPMEAN	CPRMS	CPMAX	CPMIN
75	430	.200	.033	.102	.3335	75	522	.062	.094	.556	-.166	75	617	-.124	.033	.028	-.235
75	431	.203	.033	.087	.313	75	523	.110	.087	.529	-.123	75	618	-.131	.034	.021	-.260
75	432	.205	.032	.084	.308	75	524	.101	.087	.528	-.144	75	619	-.146	.038	.000	-.343
75	433	.194	.032	.088	.307	75	525	.264	.107	.069	-.691	75	620	-.141	.038	.016	-.287
75	434	.181	.035	.057	.333	75	526	.273	.064	.056	-.524	75	621	-.168	.039	.021	-.324
75	435	.191	.039	.063	.3378	75	527	.129	.071	.094	-.472	75	622	-.178	.041	.021	-.376
75	436	.203	.043	.061	.424	75	528	.413	.142	.019	-.966	75	623	-.176	.037	.067	-.311
75	437	.219	.036	.113	.442	75	529	.326	.146	.175	-.048	75	624	-.153	.038	.034	-.292
75	438	.211	.037	.111	.443	75	530	.189	.170	.466	-.849	75	625	-.116	.029	.021	-.221
75	439	.225	.038	.132	.442	75	531	.194	.141	.475	-.653	75	626	-.117	.030	.012	-.217
75	440	.222	.036	.113	.443	75	532	.235	.117	.170	-.801	75	627	-.125	.034	.002	-.253
75	441	.201	.036	.065	.443	75	533	.300	.096	.041	-.848	75	628	-.114	.037	.021	-.237
75	442	.179	.034	.045	.403	75	534	.266	.056	.077	-.485	75	629	-.156	.040	.019	-.300
75	443	.188	.036	.058	.443	75	535	.238	.054	.064	-.449	75	630	-.179	.038	.038	-.343
75	444	.199	.040	.066	.443	75	536	.063	.094	.082	-.377	75	631	-.181	.035	.063	-.339
75	445	.192	.041	.068	.424	75	537	.222	.124	.062	-.846	75	632	-.148	.036	.034	-.274
75	446	.208	.046	.077	.444	75	538	.110	.224	.668	-.814	75	633	-.159	.037	.044	-.289
75	447	.217	.050	.081	.441	75	539	.181	.189	.475	-.794	75	634	-.111	.030	.018	-.217
75	448	.211	.047	.063	.422	75	540	.196	.156	.468	-.820	75	635	-.113	.028	.009	-.218
75	449	.196	.041	.047	.442	75	541	.292	.080	.078	-.694	75	636	-.097	.031	.014	-.205
75	450	.175	.037	.057	.388	75	542	.268	.054	.102	-.461	75	637	-.123	.036	.028	-.234
75	451	.170	.035	.060	.305	75	543	.244	.053	.071	-.449	75	638	-.154	.040	.032	-.304
75	452	.188	.037	.066	.342	75	544	.116	.082	.200	-.400	75	639	-.174	.040	.044	-.380
75	453	.175	.037	.056	.402	75	545	.161	.072	.092	-.440	75	640	-.140	.032	.027	-.260
75	454	.168	.037	.057	.399	75	546	.241	.112	.028	-.865	75	641	-.151	.032	.028	-.263
75	455	.177	.038	.078	.329	75	547	.230	.102	.032	-.979	75	642	-.170	.032	.053	-.333
75	456	.192	.039	.095	.3358	75	548	.254	.074	.019	-.673	75	643	-.164	.032	.039	-.334
75	457	.188	.047	.034	.445	75	549	.309	.090	.035	-.740	75	644	-.147	.031	.027	-.324
75	458	.174	.044	.014	.398	75	550	.218	.052	.056	-.492	75	645	-.132	.033	.016	-.276
75	501	.205	.055	.065	.441	75	551	.214	.048	.034	-.486	75	646	-.150	.042	.041	-.333
75	502	.203	.055	.032	.424	75	552	.285	.086	.042	-.698	75	647	-.122	.028	.016	-.218
75	503	.205	.037	.079	.454	75	553	.198	.041	.039	-.389	75	648	-.136	.027	.034	-.223
75	504	.178	.036	.023	.358	75	554	.205	.041	.072	-.385	75	649	-.123	.028	.029	-.205
75	505	.230	.060	.096	.720	75	555	.182	.043	.041	-.395	75	650	-.142	.028	.048	-.252
75	506	.183	.039	.043	.390	75	6001	.145	.033	.042	-.265	75	651	-.112	.036	.024	-.307
75	507	.014	.043	.208	.099	75	6002	.147	.035	.037	-.343	75	652	-.136	.026	.022	-.228
75	508	.031	.054	.263	.177	75	6003	.153	.039	.019	-.394	75	653	-.123	.025	.022	-.210
75	509	.022	.057	.380	.163	75	6004	.109	.033	.040	-.287	75	654	-.141	.027	.052	-.247
75	510	.016	.063	.485	.161	75	6005	.139	.047	.028	-.352	75	655	-.104	.031	.013	-.229
75	511	.023	.053	.438	.129	75	6006	.139	.028	.055	-.247	75	7001	-.044	.052	.179	-.286
75	512	.035	.055	.403	.134	75	6007	.131	.030	.019	-.248	75	7002	-.033	.055	.212	-.241
75	513	.029	.056	.324	.141	75	6008	.109	.030	.005	-.208	75	7003	-.061	.059	.188	-.324
75	514	.025	.056	.397	.134	75	6009	.115	.033	.000	-.235	75	7004	-.028	.058	.196	-.298
75	515	.035	.060	.302	.117	75	610	.116	.037	.018	-.293	75	7005	-.048	.059	.154	-.299
75	516	.033	.075	.496	.226	75	611	.113	.028	.016	-.230	75	7006	-.028	.045	.165	-.281
75	517	.013	.084	.465	.333	75	6112	.091	.031	.018	-.196	75	7007	-.041	.046	.132	-.254
75	518	.019	.106	.485	.433	75	6113	.097	.032	.037	-.219	75	7008	-.020	.047	.220	-.213
75	519	.073	.143	.706	.668	75	6114	.091	.037	.067	-.226	75	7009	-.035	.036	.112	-.179
75	520	.051	.081	.405	.310	75	6115	.125	.029	.037	-.220	75	710	-.023	.038	.172	-.169
75	521	.048	.090	.459	.409	75	6116	.112	.032	.021	-.210	75	711	-.046	.044	.215	-.234

APPENDIX A -- PRESSURE DATA: MAIN PLACE HOTEL -- CONF. B -- DALLAS , TEXAS

WD	TAP	CPMEAN	CPRMS	CPMAX	CPMIN	WD	TAP	CPMEAN	CPRMS	CPMAX	CPMIN	WD	TAP	CPMEAN	CPRMS	CPMAX	CPMIN
75	712	.011	.038	.162	.193	90	15	.088	.191	.824	.409	90	65	.248	.179	.918	.186
75	713	.054	.047	.168	.386	90	16	.052	.193	.938	.433	90	66	.249	.161	1.022	.115
75	715	.067	.041	.057	.281	90	17	.081	.196	.895	.422	90	67	.229	.158	1.162	.173
75	716	.010	.035	.096	.198	90	18	.125	.201	.989	.366	90	68	.232	.126	.723	.085
75	717	.044	.035	.078	.235	90	19	.152	.240	.912	.551	90	69	.243	.157	.861	.203
75	718	.040	.035	.065	.245	90	20	.151	.321	1.027	.916	90	70	.266	.153	.865	.141
75	719	.044	.039	.129	.204	90	21	.058	.251	.670	.787	90	71	.246	.155	.851	.185
75	720	.017	.037	.133	.182	90	22	.030	.132	.447	.457	90	72	.204	.148	.793	.218
75	721	.043	.036	.098	.208	90	23	.054	.152	.668	.394	90	73	.174	.150	.899	.234
75	722	.018	.035	.111	.132	90	24	.144	.166	.686	.413	90	74	.179	.144	.883	.218
75	723	.056	.037	.059	.218	90	25	.159	.184	.751	.499	90	75	.149	.149	.813	.292
75	724	.031	.038	.105	.216	90	26	.197	.195	.778	.384	90	76	.128	.148	.788	.336
75	725	.027	.035	.094	.152	90	27	.249	.211	.804	.408	90	77	.094	.152	.834	.364
75	726	.024	.034	.094	.134	90	28	.275	.213	.850	.406	90	78	.125	.138	.801	.297
75	727	.046	.038	.116	.172	90	29	.252	.223	.879	.418	90	79	.083	.151	.774	.361
75	728	.008	.036	.142	.136	90	30	.153	.173	.740	.297	90	80	.289	.090	.834	.689
75	729	.033	.036	.145	.130	90	31	.187	.210	.954	.422	90	81	.405	.136	1.125	.120
75	730	.054	.039	.118	.209	90	32	.182	.197	.881	.439	90	82	.050	.088	.285	.357
75	731	.040	.053	.201	.270	90	33	.138	.190	.874	.394	90	83	.015	.107	.454	.333
75	732	.075	.051	.134	.343	90	34	.114	.182	.812	.317	90	84	.069	.125	.622	.307
75	733	.011	.046	.180	.180	90	35	.111	.189	.859	.472	90	85	.057	.166	.879	.579
75	734	.055	.046	.156	.302	90	36	.134	.177	.848	.322	90	86	.198	.153	.850	.118
75	735	.041	.043	.127	.221	90	37	.123	.185	.784	.373	90	87	.192	.149	.845	.148
75	736	.054	.044	.154	.245	90	38	.134	.215	.861	.580	90	88	.186	.149	.734	.127
75	737	.060	.043	.113	.268	90	39	.305	.099	.042	.825	90	89	.165	.142	.794	.128
75	738	.045	.040	.085	.222	90	40	.413	.153	.088	.254	90	90	.187	.127	.765	.096
75	739	.025	.042	.156	.189	90	41	.024	.124	.420	.363	90	91	.181	.125	.730	.089
75	740	.016	.039	.196	.151	90	42	.080	.145	.611	.305	90	92	.198	.117	.768	.080
75	741	.023	.040	.129	.247	90	43	.131	.173	.608	.333	90	93	.191	.121	.749	.099
75	742	.035	.037	.103	.183	90	44	.154	.200	.762	.590	90	94	.215	.113	.736	.054
75	743	.011	.038	.156	.156	90	45	.215	.207	.816	.468	90	95	.155	.111	.662	.130
75	744	.024	.037	.116	.169	90	46	.201	.191	.787	.489	90	96	.147	.119	.555	.186
75	745	.035	.039	.122	.163	90	47	.239	.208	.934	.494	90	97	.115	.118	.555	.165
75	746	.001	.041	.153	.136	90	48	.225	.219	.882	.372	90	98	.142	.113	.591	.167
75	747	.206	.042	.295	.118	90	49	.219	.217	.861	.391	90	99	.113	.114	.637	.256
75	748	.007	.023	.074	.062	90	50	.218	.206	.919	.312	90	100	.097	.110	.611	.275
90	1	.340	.102	.024	.985	90	51	.172	.192	.884	.356	90	101	.073	.104	.576	.276
90	2	.394	.136	.068	.114	90	52	.139	.199	.890	.537	90	102	.099	.096	.535	.221
90	3	.019	.135	.535	.489	90	53	.123	.184	.845	.434	90	103	.051	.108	.445	.290
90	4	.044	.154	.583	.469	90	54	.134	.166	.944	.312	90	104	.026	.209	.636	.955
90	108	.174	.689	.382	.333	90	55	.108	.153	.908	.328	90	105	.168	.203	.713	.789
90	6	.168	.185	.740	.453	90	56	.102	.170	1.049	.360	90	106	.254	.079	.056	.631
90	7	.187	.203	.803	.459	90	57	.113	.186	.852	.532	90	107	.368	.116	.098	.918
90	8	.184	.212	.880	.440	90	58	.084	.244	.865	.973	90	108	.092	.076	.250	.341
90	9	.191	.210	.930	.346	90	59	.085	.222	.720	.710	90	109	.040	.094	.399	.300
90	10	.211	.214	.954	.439	90	60	.055	.123	.380	.372	90	110	.033	.104	.550	.341
90	11	.179	.227	.822	.437	90	61	.135	.169	.666	.465	90	111	.004	.141	.544	.609
90	12	.146	.227	.875	.421	90	62	.187	.192	.801	.500	90	112	.135	.139	.793	.268
90	13	.127	.213	.890	.394	90	63	.276	.209	.950	.280	90	113	.135	.135	.820	.279
90	14	.125	.197	.897	.378	90	64	.261	.195	.994	.266	90	114	.165	.119	.731	.207

APPENDIX A -- PRESSURE DATA:

MAIN PLACE HOTEL -- CONF. B -- DALLAS , TEXAS

WD	TAP	CPMEAN	CPRMS	CPMAX	CPMIN	WD	TAP	CPMEAN	CPRMS	CPMAX	CPMIN	WD	TAP	CPMEAN	CPRMS	CPMAX	CPMIN
90	115	.140	.114	.662	.196	90	165	.105	.098	.659	.120	90	215	.043	.057	.177	.266
90	116	.143	.102	.670	.150	90	166	.117	.104	.697	.138	90	216	.311	.140	.124	.891
90	117	.133	.101	.621	.165	90	167	.113	.104	.677	.120	90	301	.667	.183	.203	.881
90	118	.170	.095	.622	.118	90	168	.112	.103	.663	.153	90	302	.638	.171	.150	.491
90	119	.154	.099	.639	.144	90	169	.133	.104	.634	.066	90	303	.587	.175	.060	.324
90	120	.151	.101	.595	.084	90	170	.127	.104	.647	.124	90	304	.497	.142	.063	.180
90	121	.105	.102	.501	.170	90	171	.128	.105	.579	.117	90	305	.438	.117	.000	.058
90	122	.122	.093	.468	.138	90	172	.120	.114	.638	.218	90	306	.347	.094	.059	.868
90	123	.096	.100	.459	.210	90	173	.127	.108	.699	.139	90	307	.332	.093	.038	.821
90	124	.097	.093	.532	.191	90	174	.109	.100	.621	.136	90	308	.325	.082	.078	.887
90	125	.068	.091	.503	.272	90	175	.105	.088	.548	.117	90	309	.388	.076	.050	.671
90	126	.094	.088	.535	.236	90	176	.082	.079	.495	.109	90	310	.389	.061	.049	.522
90	127	.073	.091	.653	.201	90	177	.065	.073	.487	.184	90	311	.598	.147	.218	.222
90	128	.073	.097	.666	.205	90	178	.032	.075	.378	.259	90	312	.574	.156	.146	.252
90	129	.023	.114	.553	.508	90	179	.019	.070	.345	.235	90	313	.507	.141	.034	.203
90	130	.004	.158	.595	.544	90	180	.004	.068	.405	.235	90	314	.398	.123	.056	.931
90	131	.141	.199	.648	.776	90	181	.034	.075	.350	.395	90	315	.360	.093	.022	.774
90	132	.266	.073	.084	.620	90	182	.180	.141	.254	.037	90	316	.268	.086	.019	.716
90	133	.349	.096	.128	.862	90	183	.248	.093	.208	.519	90	317	.255	.073	.022	.660
90	134	.059	.069	.216	.268	90	184	.046	.083	.342	.362	90	318	.248	.066	.036	.659
90	135	.031	.084	.317	.267	90	185	.010	.089	.416	.366	90	319	.228	.060	.027	.514
90	136	.007	.096	.459	.264	90	186	.009	.092	.364	.466	90	320	.255	.053	.061	.447
90	137	.028	.124	.569	.402	90	187	.010	.095	.352	.400	90	321	.223	.050	.073	.561
90	138	.106	.119	.767	.261	90	188	.006	.096	.352	.772	90	322	.448	.191	.034	.514
90	139	.104	.111	.705	.208	90	189	.016	.081	.357	.529	90	323	.390	.166	.027	.340
90	140	.129	.113	.639	.123	90	190	.001	.089	.364	.409	90	324	.390	.133	.012	.085
90	141	.105	.109	.635	.128	90	191	.006	.093	.328	.412	90	325	.312	.093	.017	.790
90	142	.136	.100	.691	.087	90	192	.008	.094	.439	.384	90	326	.260	.078	.034	.522
90	143	.124	.098	.735	.105	90	193	.017	.088	.449	.312	90	327	.224	.065	.007	.517
90	144	.124	.089	.545	.098	90	194	.253	.077	.019	.566	90	328	.223	.055	.066	.420
90	145	.106	.091	.541	.132	90	195	.357	.094	.086	.761	90	329	.231	.052	.073	.408
90	146	.134	.086	.549	.098	90	196	.120	.055	.138	.350	90	330	.231	.048	.078	.484
90	147	.095	.085	.484	.135	90	197	.047	.063	.232	.328	90	331	.331	.191	.125	.638
90	148	.103	.089	.477	.155	90	198	.024	.070	.271	.283	90	332	.492	.173	.080	.306
90	149	.076	.088	.442	.347	90	199	.015	.078	.361	.328	90	333	.432	.146	.046	.115
90	150	.099	.084	.515	.319	90	200	.044	.077	.405	.209	90	334	.360	.126	.019	.999
90	151	.067	.086	.443	.233	90	201	.027	.067	.299	.189	90	335	.379	.091	.024	.732
90	152	.034	.081	.418	.279	90	202	.007	.073	.347	.269	90	336	.252	.071	.044	.626
90	153	.042	.076	.449	.286	90	203	.043	.078	.304	.318	90	337	.340	.060	.042	.504
90	154	.032	.074	.392	.205	90	204	.230	.138	.194	.777	90	338	.217	.051	.022	.421
90	155	.012	.105	.515	.364	90	205	.210	.083	.165	.454	90	339	.202	.049	.022	.404
90	156	.073	.176	.621	.852	90	206	.193	.051	.029	.380	90	340	.222	.049	.014	.408
90	157	.194	.163	.425	.725	90	207	.388	.137	.048	.902	90	341	.444	.146	.115	.272
90	158	.297	.072	.100	.642	90	208	.130	.050	.078	.296	90	342	.444	.143	.039	.222
90	159	.398	.102	.144	.981	90	209	.057	.050	.222	.191	90	343	.364	.123	.022	.938
90	160	.134	.058	.134	.427	90	210	.015	.061	.373	.147	90	344	.319	.104	.007	.774
90	161	.070	.064	.265	.300	90	211	.016	.062	.342	.177	90	345	.270	.080	.022	.629
90	162	.050	.069	.302	.285	90	212	.045	.066	.427	.153	90	346	.222	.062	.022	.535
90	163	.053	.085	.335	.335	90	213	.042	.061	.340	.135	90	347	.199	.054	.017	.397
90	164	.050	.091	.490	.192	90	214	.009	.061	.312	.233	90	348	.206	.049	.029	.442

APPENDIX A -- PRESSURE DATA: MAIN PLACE HOTEL -- CONF. B -- DALLAS , TEXAS

WD	TAP	CP	NEAN	CPRMS	CPMAX	CPMIN	WD	TAP	CP	NEAN	CPRMS	CPMAX	CPMIN	WD	TAP	CP	NEAN	CPRMS	CPMAX	CPMIN
90	349	-	214	.047	.027	.457	90	422	-	264	.040	.130	.434	90	516	-	115	.135	.718	.528
90	350	-	235	.044	.080	.486	90	422	-	267	.050	.097	.546	90	517	-	105	.140	.718	.337
90	351	-	331	.092	.064	.815	90	422	-	255	.057	.083	.547	90	518	-	107	.169	.629	.516
90	352	-	338	.087	.068	.871	90	422	-	268	.065	.053	.624	90	519	-	168	.209	.882	.925
90	353	-	333	.083	.108	.753	90	422	-	272	.045	.135	.425	90	520	-	168	.137	.700	.181
90	354	-	286	.085	.039	.678	90	422	-	273	.044	.137	.421	90	521	-	162	.145	.798	.273
90	355	-	232	.069	.015	.504	90	433	-	263	.042	.123	.410	90	522	-	185	.155	.811	.197
90	356	-	212	.050	.063	.421	90	433	-	271	.042	.149	.427	90	523	-	193	.142	.756	.129
90	357	-	199	.054	.000	.421	90	433	-	275	.042	.139	.423	90	524	-	184	.143	.752	.144
90	358	-	194	.052	.012	.391	90	433	-	260	.039	.111	.410	90	525	-	375	.126	.000	.011
90	359	-	222	.054	.022	.426	90	433	-	247	.045	.109	.447	90	526	-	320	.077	.000	.759
90	360	-	227	.047	.010	.415	90	433	-	259	.054	.101	.507	90	527	-	261	.094	.023	.658
90	361	-	314	.078	.127	.792	90	433	-	272	.060	.088	.564	90	528	-	599	.184	.118	.398
90	362	-	306	.081	.083	.739	90	433	-	276	.043	.143	.423	90	529	-	473	.140	.138	.990
90	363	-	289	.080	.073	.769	90	433	-	264	.042	.139	.412	90	530	-	292	.234	.514	.920
90	364	-	275	.073	.058	.699	90	433	-	284	.043	.145	.452	90	531	-	363	.139	.313	.925
90	365	-	233	.063	.054	.477	90	444	-	292	.042	.172	.439	90	532	-	367	.126	.100	.975
90	366	-	203	.056	.017	.455	90	444	-	263	.042	.134	.423	90	533	-	339	.089	.048	.740
90	367	-	174	.051	.017	.355	90	444	-	235	.040	.097	.373	90	534	-	318	.073	.095	.643
90	368	-	154	.057	.063	.355	90	444	-	246	.045	.119	.427	90	535	-	269	.069	.068	.640
90	369	-	133	.094	.086	.863	90	444	-	258	.052	.130	.513	90	536	-	159	.133	.344	.659
90	370	-	283	.077	.068	.693	90	444	-	258	.055	.113	.516	90	537	-	423	.138	.034	.036
90	371	-	283	.074	.071	.651	90	446	-	270	.050	.130	.500	90	538	-	184	.302	.879	.036
90	372	-	276	.072	.046	.624	90	444	-	282	.051	.145	.569	90	539	-	348	.182	.888	.056
90	373	-	233	.059	.027	.477	90	444	-	297	.052	.151	.516	90	540	-	298	.165	.627	.847
90	374	-	200	.055	.007	.452	90	444	-	282	.057	.083	.555	90	541	-	334	.080	.110	.811
90	375	-	169	.046	.005	.367	90	455	-	255	.054	.063	.498	90	542	-	314	.067	.083	.752
90	401	-	250	.060	.034	.512	90	455	-	245	.051	.085	.509	90	543	-	279	.071	.093	.688
90	402	-	257	.057	.046	.472	90	455	-	257	.049	.093	.453	90	544	-	223	.099	.137	.606
90	403	-	255	.058	.083	.533	90	455	-	236	.048	.037	.433	90	545	-	307	.087	.083	.655
90	404	-	249	.056	.042	.507	90	455	-	221	.046	.076	.436	90	546	-	458	.139	.099	.131
90	405	-	262	.062	.036	.522	90	455	-	227	.051	.076	.521	90	547	-	392	.113	.123	.181
90	406	-	268	.062	.078	.567	90	455	-	242	.055	.084	.620	90	548	-	378	.094	.053	.775
90	407	-	269	.062	.078	.640	90	455	-	237	.053	.074	.576	90	549	-	374	.100	.083	.768
90	408	-	288	.067	.091	.727	90	455	-	226	.050	.060	.521	90	550	-	310	.068	.074	.599
90	409	-	277	.070	.035	.560	90	551	-	260	.063	.112	.796	90	551	-	277	.061	.068	.525
90	410	-	245	.053	.067	.507	90	551	-	254	.080	.037	.797	90	552	-	374	.121	.065	.989
90	411	-	256	.051	.099	.496	90	551	-	286	.049	.176	.659	90	553	-	268	.057	.044	.480
90	412	-	270	.048	.100	.478	90	551	-	228	.040	.102	.385	90	554	-	266	.055	.083	.474
90	413	-	264	.045	.111	.419	90	551	-	290	.057	.156	.615	90	555	-	237	.057	.052	.463
90	414	-	248	.046	.100	.424	90	551	-	239	.047	.056	.497	90	556	-	172	.041	.046	.367
90	415	-	256	.049	.103	.463	90	551	-	200	.080	.412	.132	90	602	-	176	.045	.053	.517
90	416	-	272	.053	.107	.523	90	551	-	109	.103	.792	.134	90	603	-	192	.050	.014	.449
90	417	-	274	.059	.093	.537	90	551	-	099	.108	.902	.140	90	604	-	164	.040	.004	.366
90	418	-	262	.064	.067	.549	90	551	-	108	.108	.825	.193	90	605	-	220	.056	.049	.532
90	419	-	257	.046	.115	.535	90	551	-	101	.098	.622	.169	90	606	-	170	.035	.060	.310
90	420	-	272	.046	.125	.476	90	551	-	120	.106	.933	.116	90	607	-	155	.033	.051	.282
90	421	-	269	.042	.134	.460	90	551	-	108	.099	.622	.094	90	608	-	136	.031	.023	.243
90	422	-	250	.039	.111	.419	90	551	-	105	.100	.720	.105	90	609	-	153	.036	.042	.306
90	423	-	254	.038	.138	.420	90	551	-	118	.101	.936	.099	90	610	-	199	.055	.048	.421

APPENDIX A -- PRESSURE DATA: MAIN PLACE HOTEL -- CONF. B -- DALLAS , TEXAS

WD	TAP	CPMEAN	CPRMS	CPMAX	CPMIN	WD	TAP	CPMEAN	CPRMS	CPMAX	CPMIN	WD	TAP	CPMEAN	CPRMS	CPMAX	CPMIN
90	611	.144	.030	.035	.245	90	706	.027	.061	.205	.431	105	9	.220	.203	.838	.359
90	612	.126	.031	.020	.225	90	707	.014	.074	.305	.325	105	10	.271	.201	.878	.382
90	613	.137	.032	.033	.248	90	708	.013	.076	.319	.375	105	11	.280	.211	.840	.335
90	614	.158	.043	.018	.400	90	709	.028	.056	.177	.396	105	12	.289	.219	.881	.351
90	615	.162	.034	.021	.280	90	710	.007	.059	.246	.376	105	13	.309	.220	.903	.324
90	616	.127	.036	.005	.275	90	711	.015	.078	.235	.464	105	14	.332	.220	.947	.376
90	617	.140	.037	.023	.302	90	712	.006	.075	.271	.491	105	15	.314	.230	.929	.310
90	618	.159	.040	.021	.301	90	713	.062	.064	.161	.484	105	16	.279	.247	.878	.463
90	619	.179	.046	.005	.363	90	715	.096	.066	.110	.482	105	17	.265	.258	.978	.429
90	620	.186	.052	.014	.384	90	716	.010	.061	.216	.249	105	18	.245	.258	.954	.417
90	621	.212	.055	.077	.446	90	717	.069	.057	.144	.340	105	19	.150	.259	.959	.519
90	622	.229	.054	.071	.476	90	718	.075	.058	.125	.446	105	20	.361	.259	.496	.508
90	623	.228	.051	.081	.470	90	719	.035	.062	.195	.289	105	21	.349	.129	.292	.840
90	624	.195	.047	.045	.393	90	720	.042	.057	.128	.364	105	22	.069	.153	.598	.461
90	625	.131	.032	.012	.258	90	721	.092	.068	.113	.389	105	23	.012	.164	.667	.390
90	626	.139	.032	.041	.260	90	722	.008	.044	.152	.180	105	24	.103	.170	.804	.415
90	627	.150	.037	.030	.289	90	723	.064	.054	.081	.359	105	25	.114	.188	.764	.417
90	628	.146	.045	.116	.313	90	724	.069	.070	.141	.405	105	26	.184	.196	.848	.347
90	629	.190	.050	.060	.448	90	725	.004	.048	.183	.141	105	27	.220	.192	.805	.394
90	630	.217	.054	.076	.519	90	726	.013	.046	.205	.227	105	28	.281	.192	.887	.350
90	631	.217	.049	.065	.419	90	727	.042	.048	.173	.240	105	29	.304	.203	.943	.356
90	632	.182	.042	.037	.361	90	728	.007	.050	.156	.194	105	30	.331	.185	.890	.218
90	633	.189	.042	.049	.358	90	729	.046	.059	.206	.283	105	31	.359	.207	.917	.317
90	634	.136	.031	.021	.239	90	730	.082	.070	.175	.433	105	32	.395	.208	.965	.265
90	635	.137	.031	.009	.236	90	731	.006	.067	.260	.323	105	33	.389	.218	.015	.268
90	636	.121	.037	.052	.254	90	732	.040	.081	.267	.565	105	34	.383	.227	.009	.335
90	637	.154	.048	.021	.355	90	733	.015	.063	.280	.361	105	35	.351	.239	.013	.320
90	638	.195	.050	.023	.455	90	734	.006	.074	.354	.325	105	36	.337	.242	.087	.306
90	639	.214	.050	.062	.465	90	735	.006	.064	.290	.312	105	37	.271	.249	.062	.375
90	640	.179	.042	.068	.345	90	736	.006	.061	.321	.269	105	38	.152	.245	.976	.475
90	641	.187	.044	.065	.383	90	737	.001	.079	.347	.336	105	39	.349	.120	.028	.919
90	642	.207	.044	.055	.425	90	738	.010	.067	.314	.444	105	40	.524	.189	.009	.225
90	643	.203	.041	.044	.386	90	739	.022	.057	.315	.268	105	41	.069	.126	.518	.408
90	644	.192	.038	.007	.373	90	740	.025	.075	.436	.291	105	42	.020	.131	.599	.364
90	645	.167	.040	.000	.427	90	741	.033	.066	.401	.231	105	43	.059	.144	.626	.461
90	646	.167	.048	.004	.477	90	742	.012	.052	.239	.133	105	44	.066	.170	.620	.553
90	647	.163	.036	.011	.302	90	743	.018	.058	.311	.172	105	45	.175	.201	.847	.572
90	648	.178	.035	.040	.296	90	744	.024	.061	.275	.202	105	46	.200	.199	.899	.581
90	649	.158	.033	.024	.264	90	745	.013	.060	.215	.184	105	47	.270	.192	.861	.482
90	650	.169	.032	.052	.294	90	746	.034	.053	.231	.203	105	48	.303	.198	.943	.553
90	651	.124	.037	.011	.379	90	747	.285	.029	.349	.219	105	49	.345	.189	.917	.364
90	652	.176	.034	.053	.309	90	748	.040	.029	.154	.026	105	50	.385	.190	.940	.223
90	653	.158	.031	.048	.301	105	1	.373	.126	.009	.987	105	51	.386	.191	.920	.296
90	654	.174	.033	.047	.316	105	2	.513	.176	.134	.182	105	52	.383	.208	.983	.273
90	655	.129	.035	.009	.280	105	3	.060	.161	.631	.561	105	53	.401	.213	.973	.198
90	701	.051	.072	.265	.449	105	4	.015	.171	.627	.487	105	54	.393	.233	.108	.256
90	702	.036	.081	.339	.457	105	5	.067	.186	.765	.502	105	55	.346	.228	.006	.251
90	703	.031	.091	.421	.419	105	6	.118	.188	.818	.406	105	56	.272	.254	.106	.347
90	704	.005	.084	.443	.335	105	7	.154	.193	.764	.414	105	57	.156	.236	.917	.380
90	705	.018	.081	.305	.400	105	8	.168	.202	.779	.382	105	58	.374	.261	.479	.385

APPENDIX A -- PRESSURE DATA: MAIN PLACE HOTEL -- CONF. B -- DALLAS , TEXAS

WD	TAP	CPMEAN	CPRMS	CPMAX	CPMIN	WD	TAP	CPMEAN	CPRMS	CPMAX	CPMIN	WD	TAP	CPMEAN	CPRMS	CPMAX	CPMIN
105	59	.326	.113	.116	-.661	105	109	-.105	.073	.188	-.357	105	159	-.419	.076	-.218	-.794
105	60	-.105	.127	.470	-.472	105	110	-.075	.086	.295	-.464	105	160	-.160	.047	-.062	-.379
105	61	.068	.147	.628	-.401	105	111	-.131	.130	.376	-.699	105	161	-.094	.051	.129	-.292
105	62	.090	.183	.721	-.551	105	112	-.024	.100	.433	-.315	105	162	-.073	.056	.175	-.281
105	63	.224	.180	1.073	-.277	105	113	-.056	.100	.436	-.288	105	163	-.122	.082	.240	-.423
105	64	.271	.165	.945	-.176	105	114	-.083	.096	.560	-.193	105	164	-.002	.079	.346	-.291
105	65	.319	.154	.877	-.114	105	115	-.089	.100	.596	-.166	105	165	-.096	.071	.411	-.103
105	66	.341	.150	.850	-.081	105	116	-.123	.101	.639	-.097	105	166	.134	.086	.491	-.089
105	67	.332	.162	.903	-.091	105	117	-.118	.102	.656	-.112	105	167	.166	.094	.535	-.055
105	68	.337	.135	.807	-.002	105	118	-.110	.092	.622	-.100	105	168	.170	.096	.572	-.077
105	69	.336	.168	.938	-.110	105	119	-.108	.094	.636	-.103	105	169	.153	.087	.558	-.120
105	70	.352	.161	.919	-.067	105	120	-.102	.086	.537	-.125	105	170	.182	.099	.634	-.067
105	71	.329	.162	.917	-.123	105	121	-.080	.087	.499	-.171	105	171	.162	.082	.471	-.048
105	72	.297	.160	.821	-.233	105	122	-.072	.080	.455	-.295	105	172	.157	.085	.489	-.150
105	73	.273	.147	.796	-.133	105	123	-.061	.083	.440	-.234	105	173	.151	.086	.505	-.131
105	74	.273	.137	.735	-.143	105	124	-.065	.086	.426	-.229	105	174	.131	.085	.495	-.223
105	75	.237	.152	.743	-.365	105	125	-.039	.088	.418	-.292	105	175	.111	.080	.469	-.151
105	76	.224	.179	.824	-.565	105	126	-.060	.094	.404	-.221	105	176	.099	.067	.438	-.081
105	77	.317	.228	.994	-.329	105	127	-.058	.108	.610	-.288	105	177	.076	.071	.376	-.161
105	78	.289	.237	1.063	-.306	105	128	-.042	.109	.553	-.254	105	178	.042	.085	.409	-.262
105	79	.094	.218	.942	-.470	105	129	-.014	.121	.509	-.373	105	179	.027	.090	.467	-.340
105	80	-.360	.089	.130	-.851	105	130	-.175	.155	.388	-.789	105	180	-.009	.092	.431	-.295
105	81	.466	.135	.116	-.184	105	131	-.280	.167	.620	-.823	105	181	-.036	.099	.372	-.366
105	82	.150	.072	.200	-.385	105	132	-.344	.062	.155	-.636	105	182	-.255	.123	.104	-.802
105	83	.072	.080	.255	-.379	105	133	-.455	.100	-.219	-.939	105	183	-.320	.073	-.109	-.635
105	84	.033	.101	.363	-.463	105	134	-.180	.062	.169	-.395	105	184	-.066	.086	.249	-.372
105	85	.102	.170	.406	-.780	105	135	-.136	.069	.224	-.369	105	185	-.001	.092	.333	-.320
105	86	.097	.131	.669	-.202	105	136	-.094	.075	.250	-.386	105	186	.043	.102	.344	-.536
105	87	.152	.132	.725	-.168	105	137	-.147	.100	.188	-.513	105	187	.042	.111	.391	-.650
105	88	.192	.131	.692	-.143	105	138	-.022	.085	.425	-.288	105	188	-.062	.092	.376	-.438
105	89	.201	.135	.694	-.140	105	139	-.014	.082	.475	-.241	105	189	-.038	.090	.322	-.460
105	90	.218	.138	.736	-.130	105	140	-.058	.083	.521	-.164	105	190	-.010	.099	.333	-.534
105	91	.225	.137	.730	-.112	105	141	-.057	.080	.485	-.157	105	191	.056	.099	.378	-.347
105	92	.230	.127	.696	-.081	105	142	-.073	.078	.402	-.128	105	192	.075	.097	.431	-.308
105	93	.222	.128	.677	-.093	105	143	-.080	.078	.500	-.112	105	193	.080	.091	.525	-.295
105	94	.210	.120	.634	-.169	105	144	-.085	.074	.518	-.123	105	194	-.341	.081	-.110	-.681
105	95	.179	.121	.610	-.168	105	145	-.072	.073	.442	-.116	105	195	-.412	.077	-.192	-.739
105	96	.153	.109	.629	-.222	105	146	-.066	.073	.476	-.156	105	196	-.155	.062	-.143	-.383
105	97	.122	.102	.506	-.171	105	147	-.056	.075	.393	-.253	105	197	-.072	.081	.213	-.385
105	98	.110	.102	.499	-.204	105	148	-.065	.081	.331	-.368	105	198	-.035	.092	.327	-.398
105	99	.084	.109	.493	-.299	105	149	-.045	.079	.304	-.456	105	199	-.023	.087	.284	-.393
105	100	.129	.147	.784	-.289	105	150	-.038	.079	.327	-.339	105	200	-.110	.089	.541	-.225
105	101	.111	.152	.796	-.259	105	151	-.022	.081	.379	-.372	105	201	.103	.092	.484	-.137
105	102	.090	.149	.803	-.241	105	152	-.017	.094	.592	-.330	105	202	.073	.092	.519	-.214
105	103	.030	.146	.664	-.369	105	153	-.021	.095	.596	-.310	105	203	.030	.091	.351	-.225
105	104	.231	.220	.479	-.055	105	154	-.006	.098	.528	-.311	105	204	-.194	.138	.231	-.742
105	105	.317	.163	.540	-.001	105	155	-.058	.104	.528	-.319	105	205	-.230	.097	.224	-.589
105	106	.360	.073	.169	-.703	105	156	-.285	.138	.260	-.869	105	206	-.259	.056	-.089	-.454
105	107	.484	.116	.239	-.015	105	157	-.322	.077	.166	-.594	105	207	-.513	.137	-.124	-.028
105	108	.169	.065	.086	-.398	105	158	-.315	.056	.149	-.547	105	208	-.169	.045	.101	-.293

APPENDIX A -- PRESSURE DATA:

MAIN PLACE HOTEL -- CONF. B -- DALLAS , TEXAS

WD	TAP	CPMEAN	CPRMS	CPMAX	CPMIN	WD	TAP	CPMEAN	CPRMS	CPMAX	CPMIN	WD	TAP	CPMEAN	CPRMS	CPMAX	CPMIN
1055	209	.081	.053	.215	-.260	1055	343	-.489	.127	-.160	-1.173	1055	418	-.307	.073	-.090	-.604
1055	210	.019	.065	.288	-.199	1055	344	-.467	.117	-.095	-1.038	1055	419	-.314	.053	-.124	-.603
1055	211	.010	.063	.415	-.183	1055	345	-.380	.097	-.037	-.728	1055	420	-.326	.049	-.167	-.538
1055	212	.097	.081	.544	-.111	1055	346	-.304	.088	-.032	-.693	1055	421	-.319	.044	-.159	-.500
1055	213	.084	.076	.527	-.120	1055	347	-.248	.072	-.015	-.518	1055	422	-.296	.041	-.140	-.443
1055	214	.030	.074	.383	-.171	1055	348	-.243	.063	-.034	-.484	1055	423	-.297	.039	-.150	-.420
1055	215	.012	.071	.275	-.242	1055	349	-.252	.057	-.049	-.477	1055	424	-.308	.041	-.155	-.459
1055	216	.000	.167	.214	-.111	1055	350	-.264	.049	-.061	-.477	1055	425	-.305	.048	-.155	-.509
1055	301	.000	.112	.089	-.000	1055	351	-.444	.115	-.126	-1.192	1055	426	-.302	.053	-.152	-.583
1055	302	.000	.107	.117	-.000	1055	352	-.467	.116	-.151	-1.343	1055	427	-.303	.059	-.133	-.529
1055	303	.444	.113	.116	-.999	1055	353	-.468	.115	-.116	-.952	1055	428	-.317	.049	-.133	-.507
1055	304	.447	.120	.079	-.999	1055	354	-.430	.108	-.122	-1.011	1055	429	-.315	.046	-.138	-.488
1055	305	.442	.124	.071	-.000	1055	355	-.355	.098	-.052	-.805	1055	430	-.304	.044	-.190	-.481
1055	306	.444	.111	.112	-.000	1055	356	-.355	.074	-.088	-.805	1055	431	-.309	.042	-.190	-.498
1055	307	.444	.108	.052	-.000	1055	357	-.249	.072	-.012	-.536	1055	432	-.311	.038	-.186	-.447
1055	308	.444	.102	.053	-.000	1055	358	-.222	.065	-.015	-.512	1055	433	-.300	.039	-.182	-.450
1055	309	.447	.107	.052	-.000	1055	359	-.255	.068	-.064	-.551	1055	434	-.288	.042	-.182	-.453
1055	310	.445	.083	.100	-.744	1055	360	-.262	.052	-.034	-.493	1055	435	-.301	.047	-.132	-.483
1055	311	.444	.091	.190	-.999	1055	361	-.222	.117	-.184	-.087	1055	436	-.313	.051	-.133	-.514
1055	312	.444	.102	.178	-.999	1055	362	-.458	.121	-.166	-.153	1055	437	-.312	.046	-.133	-.509
1055	313	.444	.107	.192	-.999	1055	363	-.440	.117	-.153	-.000	1055	438	-.300	.044	-.133	-.502
1055	314	.444	.099	.122	-.011	1055	364	-.425	.106	-.107	-.943	1055	439	-.318	.045	-.133	-.570
1055	315	.444	.085	.170	-.804	1055	365	-.364	.092	-.034	-.716	1055	440	-.323	.042	-.171	-.464
1055	316	.444	.079	.154	-.999	1055	366	-.297	.088	-.020	-.605	1055	441	-.312	.037	-.143	-.469
1055	317	.444	.072	.111	-.666	1055	367	-.240	.078	-.002	-.509	1055	442	-.322	.037	-.143	-.434
1055	318	.444	.070	.120	-.666	1055	368	-.200	.085	-.149	-.513	1055	443	-.305	.039	-.199	-.453
1055	319	.444	.069	.138	-.666	1055	369	-.496	.144	-.150	-.055	1055	444	-.318	.042	-.200	-.490
1055	320	.444	.080	.110	-.708	1055	370	-.444	.118	-.088	-.950	1055	445	-.311	.047	-.171	-.519
1055	321	.444	.182	.189	-.111	1055	371	-.418	.116	-.086	-.938	1055	446	-.301	.052	-.152	-.635
1055	322	.444	.182	.098	-.111	1055	372	-.414	.114	-.044	-.977	1055	447	-.316	.055	-.150	-.697
1055	323	.444	.168	.089	-.233	1055	373	-.351	.083	-.015	-.735	1055	448	-.329	.057	-.144	-.632
1055	324	.444	.144	.068	-.111	1055	374	-.310	.076	-.051	-.634	1055	449	-.317	.050	-.161	-.519
1055	325	.444	.112	.030	-.444	1055	375	-.248	.061	-.005	-.509	1055	450	-.292	.046	-.140	-.469
1055	326	.444	.104	.083	-.804	1055	401	-.328	.068	-.110	-.860	1055	451	-.288	.043	-.127	-.488
1055	327	.444	.088	.072	-.777	1055	402	-.224	.065	-.133	-.725	1055	452	-.288	.042	-.133	-.442
1055	328	.444	.075	.105	-.999	1055	403	-.220	.068	-.120	-.649	1055	453	-.298	.043	-.126	-.476
1055	329	.444	.066	.118	-.999	1055	404	-.302	.070	-.069	-.647	1055	454	-.288	.042	-.111	-.474
1055	330	.444	.062	.113	-.777	1055	405	-.315	.080	-.020	-.686	1055	455	-.299	.046	-.126	-.552
1055	331	.444	.194	.156	-.111	1055	406	-.321	.079	-.030	-.686	1055	456	-.314	.047	-.126	-.535
1055	332	.444	.180	.083	-.111	1055	407	-.315	.075	-.092	-.685	1055	457	-.305	.049	-.155	-.585
1055	333	.444	.149	.096	-.200	1055	408	-.330	.078	-.102	-.635	1055	458	-.293	.048	-.144	-.554
1055	334	.444	.142	.032	-.101	1055	409	-.322	.080	-.088	-.732	1055	459	-.316	.055	-.155	-.871
1055	335	.444	.116	.005	-.913	1055	410	-.327	.055	-.130	-.593	1055	460	-.304	.068	-.088	-.618
1055	336	.444	.099	.024	-.666	1055	411	-.326	.050	-.176	-.570	1055	461	-.330	.046	-.088	-.557
1055	337	.444	.084	.012	-.666	1055	412	-.229	.049	-.195	-.626	1055	462	-.281	.050	-.090	-.526
1055	338	.444	.073	.022	-.666	1055	413	-.316	.053	-.154	-.519	1055	463	-.339	.064	-.200	-.793
1055	339	.444	.067	.007	-.666	1055	414	-.300	.056	-.137	-.519	1055	464	-.295	.054	-.144	-.609
1055	340	.444	.055	.000	-.488	1055	415	-.312	.061	-.120	-.537	1055	465	-.284	.071	-.150	-.047
1055	341	.444	.128	.086	-.111	1055	416	-.327	.066	-.136	-.618	1055	466	-.183	.116	-.451	-.036
1055	342	.444	.136	.154	-.111	1055	417	-.324	.070	-.133	-.635	1055	467	-.190	.128	-.788	-.035

APPENDIX A -- PRESSURE DATA: MAIN PLACE HOTEL -- CONF. B -- DALLAS , TEXAS

WD	TAP	CPMEAN	CPRMS	CPMAX	CPMIN	WD	TAP	CPMEAN	CPRMS	CPMAX	CPMIN	WD	TAP	CPMEAN	CPRMS	CPMAX	CPMIN
105	510	.119	.090	.571	-.095	105	605	-.306	.066	-.103	-.559	105	655	-.175	.034	-.042	-.312
105	511	.127	.090	.734	-.097	105	606	-.215	.033	-.104	-.338	105	701	-.032	.086	-.226	-.426
105	512	.173	.111	.872	-.055	105	607	-.195	.033	-.087	-.325	105	702	-.004	.098	-.307	-.376
105	513	.147	.091	.519	-.061	105	608	-.183	.035	-.063	-.348	105	703	.048	.100	-.338	-.381
105	514	.133	.087	.519	-.067	105	609	-.214	.045	-.071	-.426	105	704	.090	.096	-.468	-.464
105	515	.146	.096	.573	-.073	105	610	-.309	.069	-.107	-.542	105	705	.057	.099	-.428	-.404
105	516	.124	.175	.675	-.585	105	611	-.183	.033	-.039	-.293	105	706	-.028	.077	-.212	-.573
105	517	.151	.138	.627	-.261	105	612	-.177	.034	-.054	-.287	105	707	.029	.091	-.309	-.349
105	518	.172	.158	.683	-.285	105	613	-.198	.037	-.073	-.346	105	708	.053	.112	-.403	-.366
105	519	.151	.179	.739	-.068	105	614	-.261	.065	-.061	-.554	105	709	-.016	.064	-.206	-.368
105	520	.222	.142	.773	-.197	105	615	-.203	.035	-.057	-.327	105	710	.047	.075	-.464	-.265
105	521	.202	.152	.850	-.303	105	616	-.169	.039	-.027	-.316	105	711	-.005	.129	-.444	-.610
105	522	.226	.151	.899	-.300	105	617	-.180	.038	-.039	-.333	105	712	-.020	.115	-.301	-.633
105	523	.291	.166	.900	-.114	105	618	-.213	.035	-.082	-.327	105	713	-.047	.084	-.200	-.515
105	524	.270	.158	.864	-.119	105	619	-.236	.040	-.039	-.391	105	715	-.115	.086	-.074	-.727
105	525	.508	.165	.077	-.084	105	620	-.228	.047	-.092	-.404	105	716	-.028	.080	-.288	-.301
105	526	.393	.084	.133	-.727	105	621	-.250	.052	-.110	-.539	105	717	-.080	.069	-.111	-.490
105	527	.519	.130	.150	-.357	105	622	-.266	.052	-.102	-.501	105	718	-.127	.068	-.075	-.520
105	528	.763	.187	.034	-.508	105	623	-.271	.049	-.110	-.473	105	719	-.020	.077	-.277	-.279
105	529	.733	.162	.222	-.391	105	624	-.242	.044	-.119	-.449	105	720	-.048	.064	-.187	-.314
105	530	.695	.159	.007	-.355	105	625	-.165	.035	-.030	-.282	105	721	-.161	.096	-.166	-.501
105	531	.603	.139	.009	-.149	105	626	-.177	.033	-.068	-.284	105	722	-.015	.053	-.276	-.172
105	532	.462	.174	.204	-.190	105	627	-.203	.039	-.039	-.325	105	723	-.066	.062	-.169	-.401
105	533	.426	.118	.111	-.928	105	628	-.200	.043	-.034	-.361	105	724	-.183	.103	-.152	-.688
105	534	.369	.076	.149	-.704	105	629	-.237	.048	-.089	-.433	105	725	-.032	.059	-.233	-.160
105	535	.326	.078	.108	-.736	105	630	-.256	.049	-.129	-.442	105	726	-.004	.054	-.195	-.197
105	536	.438	.132	.028	-.148	105	631	-.261	.045	-.130	-.448	105	727	-.015	.052	-.196	-.216
105	537	.563	.131	.193	-.187	105	632	-.239	.038	-.119	-.386	105	728	-.025	.055	-.250	-.236
105	538	.565	.231	.395	-.332	105	633	-.236	.038	-.126	-.394	105	729	-.098	.076	-.231	-.688
105	539	.561	.179	.397	-.175	105	634	-.175	.032	-.070	-.313	105	730	-.165	.109	-.144	-.676
105	540	.320	.253	.559	-.173	105	635	-.179	.032	-.055	-.302	105	731	-.080	.093	-.429	-.354
105	541	.430	.108	.091	-.044	105	636	-.173	.039	-.009	-.350	105	732	-.072	.098	-.432	-.302
105	542	.375	.077	.126	-.731	105	637	-.208	.045	-.041	-.422	105	733	-.116	.087	-.437	-.185
105	543	.329	.075	.065	-.704	105	638	-.233	.046	-.116	-.449	105	734	-.113	.101	-.499	-.297
105	544	.468	.142	.140	-.345	105	639	-.244	.044	-.126	-.475	105	735	-.126	.095	-.531	-.228
105	545	.520	.125	.179	-.100	105	640	-.221	.043	-.087	-.534	105	736	-.133	.093	-.473	-.104
105	546	.592	.133	.144	-.129	105	641	-.223	.042	-.096	-.383	105	737	-.110	.110	-.518	-.245
105	547	.636	.131	.191	-.135	105	642	-.253	.055	-.039	-.542	105	738	-.154	.101	-.550	-.166
105	548	.599	.115	.142	-.006	105	643	-.255	.046	-.057	-.464	105	739	-.142	.089	-.517	-.071
105	549	.509	.114	.193	-.010	105	644	-.255	.038	-.051	-.410	105	740	-.118	.106	-.571	-.259
105	550	.469	.080	.176	-.754	105	645	-.230	.036	-.040	-.462	105	741	-.135	.107	-.560	-.239
105	551	.368	.074	.139	-.691	105	646	-.212	.040	-.047	-.365	105	742	-.112	.082	-.410	-.151
105	552	.348	.084	.021	-.729	105	647	-.229	.051	-.013	-.566	105	743	-.048	.079	-.386	-.272
105	553	.344	.073	.066	-.644	105	648	-.233	.041	-.073	-.388	105	744	-.101	.087	-.462	-.254
105	554	.347	.083	.025	-.761	105	649	-.228	.035	-.086	-.388	105	745	-.100	.088	-.446	-.214
105	555	.321	.080	.058	-.648	105	650	-.229	.036	-.088	-.367	105	746	-.105	.079	-.419	-.143
105	601	.217	.037	.089	-.362	105	651	-.174	.035	-.062	-.328	105	747	-.297	.027	-.359	-.237
105	602	.224	.039	.093	-.395	105	652	-.237	.046	-.071	-.421	105	748	-.131	.042	-.250	-.004
105	603	.244	.046	.112	-.488	105	653	-.219	.040	-.080	-.396	120	1	-.249	.093	-.045	-.645
105	604	.248	.052	.098	-.468	105	654	-.235	.037	-.101	-.392	120	2	-.477	.251	-.293	-.327

APPENDIX A -- PRESSURE DATA: MAIN PLACE HOTEL -- CONF. B -- DALLAS , TEXAS

WD	TAP	CPMEAN	CPRMS	CPMAX	CPMIN	WD	TAP	CPMEAN	CPRMS	CPMAX	CPMIN	WD	TAP	CPMEAN	CPRMS	CPMAX	CPMIN
1200	3	.203	.2352	.946	.492	1200	53	.199	.199	1.021	.500	1200	103	.230	.222	1.032	.417
1200	4	.261	.275	.939	.495	1200	54	.223	.225	1.200	.419	1200	104	.159	.239	.683	.887
1200	5	.288	.290	1.105	.668	1200	55	.235	.238	1.100	.337	1200	105	.307	.118	.230	.646
1200	6	.309	.286	1.153	.526	1200	56	.250	.291	1.148	.490	1200	106	.400	.066	.218	.743
1200	7	.280	.288	1.001	.648	1200	57	.259	.326	1.252	.544	1200	107	.488	.111	.238	.056
1200	8	.242	.292	1.146	.580	1200	58	.111	.286	.709	.298	1200	108	.209	.085	.266	.510
1200	9	.255	.283	1.080	.580	1200	59	.248	.113	.126	.632	1200	109	.120	.088	.292	.501
1200	10	.248	.268	.971	.454	1200	60	.019	.228	.796	.601	1200	110	.114	.095	.302	.585
1200	11	.200	.260	.989	.440	1200	61	.210	.253	1.085	.482	1200	111	.172	.137	.287	.699
1200	12	.161	.255	1.075	.460	1200	62	.248	.252	1.045	.727	1200	112	.027	.101	.483	.326
1200	13	.158	.252	1.058	.593	1200	63	.174	.199	.824	.680	1200	113	.092	.102	.606	.214
1200	14	.172	.241	.996	.521	1200	64	.134	.158	.651	.564	1200	114	.121	.103	.532	.218
1200	15	.169	.248	1.030	.440	1200	65	.162	.146	.858	.476	1200	115	.156	.112	.708	.139
1200	16	.170	.276	1.033	.462	1200	66	.198	.135	.980	.349	1200	116	.184	.124	.796	.191
1200	17	.206	.291	1.076	.577	1200	67	.196	.142	1.016	.544	1200	117	.183	.120	.887	.230
1200	18	.265	.299	1.101	.434	1200	68	.203	.113	.762	.175	1200	118	.163	.105	.741	.125
1200	19	.256	.225	1.080	.526	1200	69	.213	.121	.861	.181	1200	119	.176	.107	.752	.117
1200	20	.168	.261	.502	.452	1200	70	.230	.116	.839	.130	1200	120	.152	.096	.534	.089
1200	21	.282	.105	.027	.693	1200	71	.210	.117	.838	.194	1200	121	.144	.093	.546	.149
1200	22	.170	.248	.895	.511	1200	72	.177	.115	.785	.209	1200	122	.116	.083	.447	.133
1200	23	.252	.275	1.005	.500	1200	73	.164	.123	.643	.313	1200	123	.114	.084	.423	.205
1200	24	.313	.281	1.018	.416	1200	74	.170	.116	.609	.242	1200	124	.091	.080	.372	.237
1200	25	.309	.293	1.114	.486	1200	75	.130	.138	.662	.413	1200	125	.044	.103	.379	.477
1200	26	.297	.286	1.068	.460	1200	76	.092	.183	.810	.907	1200	126	.149	.105	.596	.240
1200	27	.298	.288	1.089	.568	1200	77	.273	.205	.907	.267	1200	127	.184	.142	.849	.353
1200	28	.302	.273	1.101	.477	1200	78	.296	.246	1.065	.285	1200	128	.178	.157	.880	.211
1200	29	.270	.271	1.141	.556	1200	79	.270	.284	1.038	.445	1200	129	.139	.166	.905	.359
1200	30	.242	.233	.914	.411	1200	80	.373	.070	.164	.709	1200	130	.119	.140	.383	.323
1200	31	.215	.237	1.001	.439	1200	81	.539	.149	.111	.310	1200	131	.270	.148	.613	.910
1200	32	.216	.219	.967	.372	1200	82	.195	.109	.451	.567	1200	132	.385	.064	.200	.661
1200	33	.192	.219	.985	.395	1200	83	.092	.110	.395	.412	1200	133	.443	.096	.223	.880
1200	34	.199	.219	.925	.347	1200	84	.073	.121	.607	.847	1200	134	.193	.068	.142	.486
1200	35	.213	.263	1.080	.421	1200	85	.107	.166	.620	.923	1200	135	.127	.074	.218	.395
1200	36	.260	.277	1.117	.463	1200	86	.047	.098	.576	.316	1200	136	.113	.086	.191	.472
1200	37	.266	.303	1.080	.524	1200	87	.132	.102	.661	.225	1200	137	.184	.119	.210	.622
1200	38	.246	.324	1.157	.536	1200	88	.167	.117	.696	.273	1200	138	.011	.096	.547	.360
1200	39	.278	.087	.029	.739	1200	89	.194	.123	.764	.230	1200	139	.057	.092	.518	.289
1200	40	.641	.239	.307	.466	1200	90	.211	.130	.785	.147	1200	140	.082	.088	.687	.133
1200	41	.132	.243	.883	.580	1200	91	.237	.122	.816	.037	1200	141	.096	.085	.568	.152
1200	42	.229	.259	.985	.492	1200	92	.237	.117	.809	.086	1200	142	.107	.091	.576	.234
1200	43	.265	.270	1.096	.479	1200	93	.238	.114	.780	.082	1200	143	.126	.088	.644	.185
1200	44	.270	.279	1.070	.566	1200	94	.214	.107	.707	.047	1200	144	.117	.080	.505	.111
1200	45	.269	.269	1.114	.553	1200	95	.197	.100	.617	.090	1200	145	.120	.078	.497	.111
1200	46	.196	.249	.964	.468	1200	96	.173	.097	.601	.253	1200	146	.098	.076	.474	.118
1200	47	.253	.243	1.026	.553	1200	97	.153	.088	.528	.198	1200	147	.099	.071	.458	.156
1200	48	.231	.234	.911	.564	1200	98	.115	.092	.489	.309	1200	148	.081	.074	.357	.235
1200	49	.225	.227	1.017	.564	1200	99	.065	.121	.547	.476	1200	149	.068	.069	.345	.198
1200	50	.223	.205	.971	.533	1200	100	.206	.143	.732	.231	1200	150	.031	.072	.280	.300
1200	51	.192	.185	.802	.486	1200	101	.248	.177	.920	.165	1200	151	.013	.079	.280	.370
1200	52	.179	.197	.872	.624	1200	102	.251	.204	1.054	.265	1200	152	.092	.108	.556	.205

APPENDIX A -- PRESSURE DATA:

MAIN PLACE HOTEL -- CONF. B -- DALLAS, TEXAS

WD	TAP	CPMEAN	CPRMS	CPMAX	CPMIN	WD	TAP	CPMEAN	CPRMS	CPMAX	CPMIN	WD	TAP	CPMEAN	CPRMS	CPMAX	CPMIN
120	153	.100	.120	.597	.250	120	203	.007	.110	.479	.406	120	337	.445	.079	.121	.784
120	154	.094	.128	.697	.271	120	204	.245	.150	.276	.845	120	338	.378	.082	.015	.668
120	155	.058	.147	.685	.388	120	205	.289	.103	.218	.608	120	339	.324	.076	.022	.618
120	156	.127	.196	.706	.817	120	206	.217	.052	.027	.457	120	340	.282	.060	.022	.583
120	157	.374	.152	.423	.878	120	207	.409	.128	.059	.910	120	341	.593	.151	.241	.477
120	158	.380	.064	.143	.643	120	208	.145	.058	.130	.298	120	342	.584	.151	.170	.356
120	159	.486	.090	.134	.958	120	209	.074	.060	.299	.250	120	343	.546	.132	.139	.111
120	160	.182	.059	.178	.414	120	210	.002	.063	.338	.188	120	344	.528	.114	.151	.338
120	161	.107	.061	.365	.332	120	211	.002	.062	.420	.182	120	345	.475	.096	.104	.806
120	162	.085	.064	.307	.336	120	212	.067	.082	.419	.146	120	346	.410	.088	.093	.693
120	163	.132	.078	.284	.438	120	213	.060	.080	.410	.154	120	347	.336	.081	.071	.620
120	164	.017	.069	.410	.214	120	214	.023	.085	.354	.235	120	348	.308	.072	.009	.581
120	165	.120	.079	.537	.096	120	215	.033	.085	.363	.286	120	349	.303	.065	.064	.545
120	166	.156	.092	.638	.087	120	216	.289	.165	.191	.188	120	350	.999	.056	.115	.440
120	167	.162	.094	.581	.113	120	301	.403	.074	.181	.815	120	351	.665	.100	.146	.097
120	168	.168	.096	.585	.105	120	302	.554	.090	.300	.941	120	352	.482	.095	.191	.089
120	169	.161	.095	.730	.093	120	303	.575	.110	.216	.420	120	353	.486	.091	.185	.863
120	170	.172	.093	.585	.094	120	304	.587	.114	.219	.154	120	354	.454	.086	.201	.816
120	171	.180	.090	.551	.070	120	305	.595	.118	.221	.203	120	355	.388	.082	.066	.671
120	172	.177	.097	.592	.064	120	306	.599	.122	.217	.286	120	356	.344	.067	.149	.631
120	173	.164	.091	.570	.134	120	307	.525	.103	.216	.275	120	357	.293	.067	.004	.548
120	174	.137	.085	.482	.240	120	308	.488	.102	.189	.350	120	358	.266	.062	.000	.496
120	175	.106	.075	.474	.116	120	309	.478	.111	.187	.123	120	359	.267	.059	.053	.491
120	176	.095	.068	.401	.164	120	310	.400	.121	.119	.350	120	360	.284	.049	.112	.465
120	177	.080	.072	.345	.232	120	311	.390	.070	.182	.677	120	361	.416	.071	.179	.666
120	178	.057	.078	.361	.231	120	312	.413	.072	.191	.679	120	362	.429	.077	.208	.991
120	179	.035	.080	.349	.265	120	313	.432	.073	.216	.731	120	363	.419	.078	.193	.003
120	180	.012	.086	.335	.273	120	314	.459	.078	.181	.794	120	364	.425	.076	.175	.778
120	181	.042	.101	.421	.441	120	315	.455	.076	.175	.739	120	365	.397	.079	.130	.711
120	182	.254	.143	.367	.784	120	316	.461	.077	.188	.833	120	366	.353	.080	.042	.684
120	183	.382	.100	.150	.781	120	317	.437	.072	.177	.817	120	367	.283	.071	.046	.525
120	184	.081	.088	.232	.494	120	318	.401	.071	.190	.779	120	368	.241	.070	.011	.484
120	185	.035	.098	.279	.524	120	319	.374	.074	.175	.726	120	369	.423	.082	.208	.779
120	186	.002	.103	.278	.468	120	320	.402	.095	.178	.988	120	370	.393	.073	.153	.799
120	187	.006	.121	.263	.651	120	321	.501	.107	.194	.040	120	371	.380	.072	.155	.702
120	188	.016	.115	.330	.695	120	322	.499	.092	.181	.137	120	372	.404	.076	.175	.736
120	189	.053	.092	.368	.401	120	323	.485	.090	.168	.925	120	373	.373	.072	.130	.715
120	190	.037	.104	.538	.437	120	324	.502	.087	.197	.936	120	374	.347	.074	.075	.611
120	191	.009	.102	.354	.402	120	325	.511	.081	.232	.958	120	375	.286	.067	.029	.531
120	192	.020	.099	.419	.501	120	326	.502	.078	.272	.947	120	401	.353	.085	.103	.940
120	193	.038	.091	.350	.515	120	327	.450	.069	.219	.781	120	402	.329	.076	.113	.684
120	194	.316	.083	.043	.600	120	328	.408	.065	.136	.701	120	403	.325	.070	.080	.664
120	195	.420	.075	.141	.776	120	329	.381	.064	.130	.656	120	404	.313	.064	.093	.646
120	196	.162	.074	.098	.531	120	330	.367	.080	.115	.872	120	405	.326	.069	.081	.644
120	197	.084	.084	.167	.486	120	331	.533	.120	.235	.180	120	406	.333	.062	.132	.609
120	198	.051	.090	.231	.549	120	332	.555	.126	.210	.622	120	407	.340	.059	.120	.629
120	199	.033	.097	.372	.408	120	333	.554	.119	.245	.212	120	408	.342	.057	.137	.610
120	200	.073	.088	.540	.232	120	334	.557	.119	.162	.091	120	409	.334	.059	.100	.594
120	201	.022	.097	.375	.289	120	335	.519	.099	.224	.908	120	410	.330	.062	.148	.851
120	202	.050	.098	.585	.300	120	336	.501	.086	.217	.863	120	411	.333	.058	.123	.699

APPENDIX A -- PRESSURE DATA: MAIN PLACE HOTEL -- CONF. B -- DALLAS, TEXAS

WD	TAP	CPMEAN	CPRMS	CPMAX	CPMIN	WD	TAP	CPMEAN	CPRMS	CPMAX	CPMIN	WD	TAP	CPMEAN	CPRMS	CPMAX	CPMIN
120	412	341	.055	156	.688	120	504	.305	.045	156	.693	120	554	.402	.103	.057	.863
120	413	341	.051	165	.538	120	505	.350	.052	214	.821	120	555	.386	.104	.034	.900
120	414	323	.051	112	.537	120	506	.316	.049	163	.563	120	601	.237	.041	.087	.438
120	415	334	.052	157	.621	120	507	.087	.059	314	.080	120	602	.216	.040	.082	.371
120	416	346	.053	156	.644	120	508	.145	.095	552	.092	120	603	.223	.044	.075	.399
120	417	334	.050	146	.567	120	509	.150	.101	636	.132	120	604	.247	.046	.095	.413
120	418	313	.050	131	.554	120	510	.107	.089	507	.117	120	605	.260	.061	.048	.511
120	419	355	.058	181	.804	120	511	.126	.090	579	.071	120	606	.218	.042	.070	.371
120	420	359	.050	190	.610	120	512	.174	.110	868	.058	120	607	.165	.037	.023	.294
120	421	343	.040	214	.471	120	513	.158	.099	556	.065	120	608	.153	.038	.018	.295
120	422	317	.036	182	.474	120	514	.144	.094	622	.066	120	609	.177	.041	.011	.319
120	423	321	.034	183	.436	120	515	.146	.097	725	.100	120	610	.242	.064	.025	.521
120	424	332	.034	222	.442	120	516	.071	.165	603	.933	120	611	.139	.039	.034	.266
120	425	333	.039	165	.472	120	517	.096	.116	554	.369	120	612	.129	.037	.020	.253
120	426	314	.042	139	.479	120	518	.090	.129	576	.573	120	613	.150	.039	.002	.315
120	427	224	.045	120	.506	120	519	.048	.195	876	.114	120	614	.181	.049	.023	.403
120	428	366	.053	210	.624	120	520	.161	.113	615	.326	120	615	.179	.046	.002	.367
120	429	357	.047	200	.630	120	521	.143	.124	665	.332	120	616	.211	.046	.063	.423
120	430	336	.042	197	.532	120	522	.157	.125	712	.254	120	617	.227	.043	.091	.440
120	431	339	.039	219	.472	120	523	.247	.132	822	.224	120	618	.265	.045	.138	.448
120	432	346	.036	210	.476	120	524	.233	.122	730	.151	120	619	.281	.055	.102	.606
120	433	333	.036	202	.450	120	525	.373	.158	930	.130	120	620	.279	.058	.107	.672
120	434	317	.038	202	.441	120	526	.089	.169	169	.754	120	621	.296	.056	.107	.559
120	435	329	.041	200	.496	120	527	.563	.124	206	.408	120	622	.329	.056	.041	.541
120	436	343	.045	210	.563	120	528	.692	.152	249	.330	120	623	.353	.057	.173	.649
120	437	344	.044	168	.499	120	529	.692	.169	279	.409	120	624	.323	.056	.154	.656
120	438	327	.043	177	.471	120	530	.589	.188	269	.1221	120	625	.211	.042	.078	.386
120	439	340	.042	198	.496	120	531	.492	.166	269	.1039	120	626	.228	.040	.091	.385
120	440	348	.039	217	.481	120	532	.445	.179	347	.1081	120	627	.257	.048	.089	.437
120	441	342	.034	195	.455	120	533	.488	.118	177	.336	120	628	.252	.052	.090	.475
120	442	323	.035	199	.452	120	534	.418	.079	155	.736	120	629	.281	.057	.068	.527
120	443	355	.037	202	.496	120	535	.375	.090	655	.956	120	630	.314	.061	.138	.602
120	444	349	.040	220	.503	120	536	.522	.142	107	.141	120	631	.333	.061	.139	.610
120	445	330	.041	187	.482	120	537	.601	.140	202	.1259	120	632	.315	.054	.170	.640
120	446	320	.044	182	.491	120	538	.382	.322	724	.478	120	633	.319	.053	.176	.646
120	447	332	.043	198	.499	120	539	.381	.269	784	.1092	120	634	.222	.036	.086	.385
120	448	348	.043	193	.544	120	540	.214	.291	771	.1350	120	635	.227	.037	.068	.376
120	449	342	.044	193	.516	120	541	.489	.112	195	.1049	120	636	.224	.049	.058	.450
120	450	318	.040	200	.515	120	542	.426	.080	153	.784	120	637	.253	.054	.084	.472
120	451	314	.037	200	.455	120	543	.383	.087	119	.853	120	638	.288	.060	.122	.559
120	452	337	.038	215	.461	120	544	.543	.148	137	.1339	120	639	.314	.064	.148	.651
120	453	329	.041	173	.479	120	545	.569	.117	258	.126	120	640	.294	.065	.078	.645
120	454	316	.041	170	.467	120	546	.611	.128	146	.1321	120	641	.303	.070	.023	.712
120	455	327	.043	209	.518	120	547	.685	.144	219	.1386	120	642	.278	.052	.016	.446
120	456	342	.045	205	.622	120	548	.641	.113	281	.172	120	643	.289	.043	.077	.460
120	457	335	.045	200	.521	120	549	.596	.128	113	.139	120	644	.284	.036	.166	.426
120	458	318	.043	190	.506	120	550	.496	.077	228	.804	120	645	.263	.036	.130	.424
120	501	343	.048	222	.624	120	551	.415	.075	132	.759	120	646	.250	.043	.062	.396
120	502	330	.062	122	.693	120	552	.389	.087	018	.835	120	647	.267	.046	.075	.461
120	503	351	.041	238	.569	120	553	.397	.080	668	.772	120	648	.263	.036	.154	.400

APPENDIX A -- PRESSURE DATA: MAIN PLACE HOTEL -- CONF. B -- DALLAS , TEXAS

WD	TAP	CP	MEAN	CPRMS	CPMAX	CPMIN	WD	TAP	CP	MEAN	CPRMS	CPMAX	CPMIN	WD	TAP	CP	MEAN	CPRMS	CPMAX	CPMIN
120	649	255	.033	.141	382	120	745	.013	.071	300	276	135	47	.063	.223	.892	917	917	917	
120	650	263	.035	.149	372	120	746	.010	.069	294	311	135	48	.031	.227	.917	912	912	912	
120	651	233	.041	.087	367	120	747	.199	.034	267	104	135	49	.037	.230	.841	870	870	870	
120	652	251	.045	.007	405	120	748	.050	.040	163	059	135	50	.054	.228	.843	955	955	955	
120	653	240	.035	.092	333	135	1	.158	.142	375	594	135	51	.044	.233	.828	882	882	882	
120	654	253	.035	.144	357	135	2	.133	.258	690	231	135	52	.051	.270	1.092	1.164	1.164	1.164	
120	655	245	.038	.087	364	135	3	.222	.262	957	551	135	53	.064	.271	.921	938	938	938	
120	701	089	.101	.170	627	135	4	.209	.263	939	512	135	54	.108	.288	1.076	609	609	609	
120	702	071	.111	.189	561	135	5	.175	.253	995	555	135	55	.118	.279	.913	608	608	608	
120	703	049	.110	.197	468	135	6	.158	.242	999	527	135	56	.093	.295	.910	675	675	675	
120	704	022	.111	.250	457	135	7	.094	.235	960	556	135	57	.046	.265	.830	700	700	700	
120	705	016	.104	.331	400	135	8	.033	.229	893	556	135	58	.595	.284	1.204	842	842	842	
120	706	038	.081	.297	401	135	9	.047	.228	903	665	135	59	.392	.084	.087	878	878	878	
120	707	004	.074	.293	379	135	10	.052	.225	825	654	135	60	.075	.202	.778	474	474	474	
120	708	015	.080	.253	372	135	11	.019	.238	905	622	135	61	.148	.198	.971	504	504	504	
120	709	023	.063	.244	316	135	12	.001	.256	922	685	135	62	.150	.181	.976	434	434	434	
120	710	010	.058	.215	288	135	13	.028	.275	928	898	135	63	.075	.158	.976	631	631	631	
120	711	030	.076	.345	489	135	14	.080	.284	962	807	135	64	.075	.139	.637	443	443	443	
120	712	046	.076	.410	410	135	15	.102	.307	1.014	822	135	65	.104	.129	.665	321	321	321	
120	713	088	.086	.140	518	135	16	.139	.337	1.032	726	135	66	.139	.121	.557	323	323	323	
120	715	115	.090	.103	691	135	17	.211	.331	1.030	957	135	67	.134	.129	.635	307	307	307	
120	716	036	.083	.211	406	135	18	.245	.309	1.046	843	135	68	.136	.104	.631	225	225	225	
120	717	071	.076	.121	516	135	19	.163	.284	981	871	135	69	.149	.129	.794	219	219	219	
120	718	074	.079	.146	575	135	20	.547	.236	086	729	135	70	.170	.124	.746	167	167	167	
120	719	027	.081	.201	516	135	21	.587	.084	1.066	790	135	71	.152	.130	.767	204	204	204	
120	720	054	.074	.155	483	135	22	.173	.230	1.046	489	135	72	.127	.132	.678	539	539	539	
120	721	061	.091	.175	459	135	23	.225	.246	1.103	474	135	73	.127	.137	.625	311	311	311	
120	722	006	.052	.170	250	135	24	.234	.233	1.041	407	135	74	.123	.131	.630	355	355	355	
120	723	044	.071	.197	631	135	25	.187	.232	1.000	495	135	75	.067	.153	.671	624	624	624	
120	724	075	.101	.262	534	135	26	.136	.221	855	697	135	76	.027	.189	.687	793	793	793	
120	725	005	.037	.258	113	135	27	.108	.218	855	688	135	77	.121	.261	.946	701	701	701	
120	726	010	.053	.233	243	135	28	.108	.213	850	620	135	78	.107	.254	.935	488	488	488	
120	727	036	.058	.261	264	135	29	.063	.224	824	713	135	79	.066	.224	.703	643	643	643	
120	728	034	.061	.202	245	135	30	.061	.218	545	907	135	80	.352	.064	.096	624	624	624	
120	729	039	.074	.201	253	135	31	.053	.244	921	759	135	81	.623	.186	1.045	299	299	299	
120	730	077	.102	.233	373	135	32	.093	.254	974	737	135	82	.079	.149	.550	574	574	574	
120	731	003	.097	.361	415	135	33	.097	.281	1.068	673	135	83	.049	.160	.697	470	470	470	
120	732	026	.111	.331	604	135	34	.132	.296	063	601	135	84	.086	.164	.763	359	359	359	
120	733	010	.100	.289	410	135	35	.182	.328	1.129	724	135	85	.103	.161	.738	374	374	374	
120	734	001	.101	.296	447	135	36	.235	.312	087	604	135	86	.064	.135	.561	697	697	697	
120	735	017	.100	.347	615	135	37	.215	.299	967	605	135	87	.079	.113	.500	274	274	274	
120	736	008	.098	.453	381	135	38	.105	.271	850	647	135	88	.093	.113	.492	396	396	396	
120	737	009	.096	.386	424	135	39	.213	.101	358	611	135	89	.104	.109	.530	286	286	286	
120	738	010	.090	.369	260	135	40	.338	.258	577	298	135	90	.108	.110	.535	178	178	178	
120	739	024	.084	.450	269	135	41	.142	.203	872	405	135	91	.142	.111	.560	184	184	184	
120	740	000	.091	.398	396	135	42	.204	.201	895	390	135	92	.166	.120	.665	184	184	184	
120	741	006	.093	.529	403	135	43	.193	.203	878	404	135	93	.164	.122	.666	160	160	160	
120	742	020	.074	.350	222	135	44	.166	.203	929	429	135	94	.156	.124	.705	144	144	144	
120	743	018	.070	.359	335	135	45	.130	.215	931	035	135	95	.147	.120	.628	209	209	209	
120	744	014	.070	.342	236	135	46	.037	.234	941	969	135	96	.132	.125	.708	199	199	199	

APPENDIX A -- PRESSURE DATA:

MAIN PLACE HOTEL -- CONF. B -- DALLAS , TEXAS

WD	TAP	CPMEAN	CPRMS	CPMAX	CPMIN	WD	TAP	CPMEAN	CPRMS	CPMAX	CPMIN	WD	TAP	CPMEAN	CPRMS	CPMAX	CPMIN
1355	97	.109	.123	.680	-.180	1355	147	.101	.089	.519	-.342	1355	197	-.050	.090	.476	-.358
1355	98	.067	.130	.750	-.284	1355	148	.078	.090	.603	-.304	1355	198	-.021	.088	.562	-.364
1355	99	.028	.130	.812	-.425	1355	149	.081	.087	.450	-.312	1355	199	.001	.094	.416	-.320
1355	100	-.098	.125	.396	-.652	1355	150	.035	.096	.518	-.342	1355	200	.087	.127	.702	-.285
1355	101	-.082	.104	.426	-.452	1355	151	.016	.103	.472	-.385	1355	201	.029	.108	.550	-.267
1355	102	-.142	.109	.357	-.479	1355	152	.134	.150	.812	-.327	1355	202	.077	.134	.786	-.329
1355	103	-.222	.131	.410	-.583	1355	153	.174	.173	.892	-.313	1355	203	.016	.146	.608	-.416
1355	104	-.591	.235	.331	-1.330	1355	154	.180	.190	.911	-.362	1355	204	-.283	.151	.176	-.829
1355	105	.462	.120	.032	-1.110	1355	155	.120	.216	.872	-.517	1355	205	.336	.089	-.056	-.774
1355	106	.385	.064	.163	-.707	1355	156	-.059	.237	.792	-.851	1355	206	-.203	.052	-.045	-.420
1355	107	.611	.187	-.053	-1.483	1355	157	-.280	.186	.497	-1.158	1355	207	.363	.123	.030	-.790
1355	108	.142	.146	.496	-.535	1355	158	.393	.073	.190	-.855	1355	208	-.135	.056	.145	-.318
1355	109	.032	.162	.684	-.467	1355	159	-.543	.119	-.095	-1.240	1355	209	-.059	.060	.330	-.221
1355	110	.002	.168	.781	-.520	1355	160	.183	.092	.386	-.625	1355	210	.007	.065	.377	-.202
1355	111	.014	.174	.782	-.487	1355	161	-.091	.094	.454	-.420	1355	211	.015	.066	.305	-.173
1355	112	.046	.148	.618	-.607	1355	162	.059	.092	.541	-.342	1355	212	.109	.103	.494	-.162
1355	113	.057	.125	.478	-.524	1355	163	-.099	.111	.420	-.478	1355	213	.099	.099	.467	-.193
1355	114	.055	.114	.417	-.426	1355	164	.044	.093	.726	-.197	1355	214	.060	.107	.476	-.222
1355	115	.079	.112	.442	-.442	1355	165	.128	.099	.716	-.238	1355	215	.003	.106	.437	-.288
1355	116	.094	.106	.577	-.349	1355	166	.148	.108	.747	-.202	1355	216	-.343	.170	.281	-1.147
1355	117	.114	.104	.617	-.212	1355	167	.168	.105	.662	-.121	1355	301	.420	.071	.121	-.696
1355	118	.105	.104	.589	-.187	1355	168	.175	.111	.678	-.081	1355	302	.484	.084	.226	-.924
1355	119	.118	.106	.615	-.173	1355	169	.134	.102	.706	-.128	1355	303	.495	.086	.225	-.894
1355	120	.122	.107	.688	-.156	1355	170	.185	.107	.680	-.080	1355	304	.518	.084	.272	-.878
1355	121	.108	.100	.556	-.147	1355	171	.186	.094	.641	-.054	1355	305	.521	.090	.217	-.935
1355	122	.072	.089	.525	-.219	1355	172	.176	.101	.590	-.099	1355	306	.524	.092	.243	-1.027
1355	123	.065	.096	.571	-.233	1355	173	.164	.099	.553	-.184	1355	307	.471	.082	.186	-.866
1355	124	.028	.096	.624	-.259	1355	174	.144	.095	.551	-.125	1355	308	.449	.090	.171	-1.117
1355	125	.002	.092	.550	-.467	1355	175	.125	.101	.496	-.318	1355	309	.431	.100	.144	-1.035
1355	126	.095	.104	.211	-.557	1355	176	.112	.094	.494	-.222	1355	310	.373	.088	.121	-.865
1355	127	.071	.104	.468	-.526	1355	177	.096	.101	.437	-.326	1355	311	.395	.062	.192	-.647
1355	128	.095	.113	.387	-.592	1355	178	.150	.124	.698	-.239	1355	312	.418	.062	.233	-.677
1355	129	.162	.144	.472	-.792	1355	179	.174	.155	.799	-.232	1355	313	.434	.061	.253	-.650
1355	130	.420	.193	.280	-1.021	1355	180	.164	.168	.785	-.296	1355	314	.463	.061	.274	-.733
1355	131	.402	.155	.425	-.904	1355	181	.135	.185	.819	-.345	1355	315	.457	.057	.268	-.730
1355	132	.392	.075	.145	-.714	1355	182	.142	.177	.444	-.721	1355	316	.460	.060	.299	-.845
1355	133	.480	.133	.173	-1.221	1355	183	.344	.104	.665	-.870	1355	317	.434	.060	.244	-.819
1355	134	.167	.124	.574	-.735	1355	184	.049	.123	.498	-.821	1355	318	.395	.061	.139	-.674
1355	135	.084	.135	.752	-.761	1355	185	.001	.125	.527	-.643	1355	319	.368	.063	.107	-.723
1355	136	.057	.143	.742	-.440	1355	186	.042	.121	.487	-.622	1355	320	.383	.073	.168	-.876
1355	137	.059	.156	.641	-.504	1355	187	.086	.120	.552	-.474	1355	321	.509	.086	.283	-1.049
1355	138	.010	.140	.604	-.710	1355	188	.105	.130	.632	-.428	1355	322	.509	.081	.288	-1.114
1355	139	.055	.129	.613	-.594	1355	189	.011	.093	.422	-.349	1355	323	.496	.081	.268	-1.285
1355	140	.063	.119	.481	-.522	1355	190	.034	.095	.513	-.327	1355	324	.511	.076	.297	-1.041
1355	141	.095	.113	.569	-.524	1355	191	.065	.110	.584	-.385	1355	325	.514	.071	.324	-.960
1355	142	.085	.107	.578	-.452	1355	192	.090	.123	.709	-.318	1355	326	.514	.073	.276	-.881
1355	143	.113	.099	.577	-.297	1355	193	.129	.133	.776	-.388	1355	327	.463	.068	.215	-.764
1355	144	.122	.095	.588	-.160	1355	194	-.288	.085	-.056	-.732	1355	328	.419	.072	.134	-.709
1355	145	.147	.095	.571	-.130	1355	195	.525	.118	-.244	-1.147	1355	329	.392	.070	.148	-.682
1355	146	.113	.091	.630	-.155	1355	196	.133	.092	.342	-.434	1355	330	.377	.075	.087	-.664

APPENDIX A -- PRESSURE DATA:

MAIN PLACE HOTEL -- CONF. B -- DALLAS , TEXAS

WD	TAP	CP	MEAN	CPRMS	CP	MAX	CP	MIN	WD	TAP	CP	MEAN	CPRMS	CP	MAX	CP	MIN	WD	TAP	CP	MEAN	CPRMS	CP	MAX	CP	MIN
1335	331	548	122	222	-1	326	1335	406	1335	406	377	072	-	105	-	680	1335	456	-	360	046	-	216	-	354	
1335	332	562	122	247	-1	195	1335	407	1335	407	375	070	-	157	-	697	1335	457	-	360	047	-	190	-	354	
1335	333	562	113	246	-1	218	1335	408	1335	408	389	069	-	143	-	725	1335	458	-	345	047	-	161	-	351	
1335	334	559	115	219	-1	053	1335	409	1335	409	384	066	-	180	-	631	1335	459	-	370	052	-	228	-	329	
1335	335	526	099	222	-	972	1335	410	1335	410	368	068	-	126	-	747	1335	460	-	366	071	-	102	-	342	
1335	336	510	086	204	-	878	1335	411	1335	411	370	064	-	117	-	692	1335	461	-	382	043	-	254	-	352	
1335	337	464	083	123	-	837	1335	412	1335	412	379	061	-	155	-	708	1335	462	-	339	048	-	135	-	331	
1335	338	399	084	126	-	731	1335	413	1335	413	375	059	-	152	-	616	1335	463	-	337	062	-	202	-	327	
1335	339	347	082	039	-	643	1335	414	1335	414	361	061	-	142	-	640	1335	464	-	357	062	-	183	-	342	
1335	340	316	092	047	-	597	1335	415	1335	415	370	061	-	157	-	619	1335	465	-	391	094	-	462	-	348	
1335	341	619	183	164	-1	658	1335	416	1335	416	384	061	-	197	-	775	1335	466	-	388	100	-	574	-	316	
1335	342	604	179	098	-	569	1335	417	1335	417	380	059	-	168	-	775	1335	467	-	380	100	-	755	-	322	
1335	343	574	166	037	-1	285	1335	418	1335	418	360	057	-	164	-	702	1335	468	-	386	107	-	606	-	316	
1335	344	560	144	007	-1	146	1335	419	1335	419	389	063	-	213	-	746	1335	469	-	389	100	-	576	-	173	
1335	345	523	118	048	-1	056	1335	420	1335	420	366	057	-	233	-	887	1335	470	-	322	102	-	607	-	166	
1335	346	469	098	064	-	884	1335	421	1335	421	355	047	-	228	-	988	1335	471	-	333	107	-	666	-	221	
1335	347	394	093	011	-	698	1335	422	1335	422	355	040	-	225	-	476	1335	472	-	332	103	-	675	-	155	
1335	348	341	093	023	-	693	1335	423	1335	423	358	040	-	235	-	509	1335	473	-	337	104	-	714	-	135	
1335	349	319	091	046	-	899	1335	424	1335	424	369	043	-	228	-	532	1335	474	-	332	017	-	683	-	958	
1335	350	324	072	030	-	728	1335	425	1335	425	370	047	-	223	-	551	1335	475	-	331	050	-	509	-	971	
1335	351	543	141	172	-1	589	1335	426	1335	426	358	048	-	178	-	540	1335	476	-	330	051	-	506	-	461	
1335	352	543	138	163	-1	413	1335	427	1335	427	358	050	-	171	-	598	1335	477	-	330	051	-	690	-	965	
1335	353	551	139	135	-1	325	1335	428	1335	428	351	061	-	204	-	685	1335	478	-	335	119	-	706	-	334	
1335	354	554	126	146	-1	048	1335	429	1335	429	388	058	-	211	-	735	1335	479	-	335	111	-	669	-	387	
1335	355	471	104	041	-	926	1335	430	1335	430	353	048	-	206	-	833	1335	480	-	333	103	-	580	-	304	
1335	356	335	079	106	-	661	1335	431	1335	431	366	044	-	216	-	542	1335	481	-	332	152	-	715	-	128	
1335	357	322	090	005	-	652	1335	432	1335	432	370	039	-	240	-	535	1335	482	-	335	151	-	732	-	147	
1335	358	272	083	062	-	548	1335	433	1335	433	367	041	-	218	-	559	1335	483	-	335	199	-	202	-	323	
1335	359	294	082	025	-	585	1335	434	1335	434	353	043	-	220	-	460	1335	484	-	335	199	-	166	-	792	
1335	360	300	068	048	-	557	1335	435	1335	435	353	047	-	213	-	591	1335	485	-	335	199	-	162	-	123	
1335	361	524	120	201	-1	396	1335	436	1335	436	353	050	-	216	-	616	1335	486	-	335	119	-	133	-	313	
1335	362	552	132	224	-1	402	1335	437	1335	437	348	055	-	211	-	645	1335	487	-	335	119	-	002	-	295	
1335	363	542	122	215	-1	260	1335	438	1335	438	361	051	-	206	-	576	1335	488	-	335	116	-	385	-	159	
1335	364	517	105	161	-	985	1335	439	1335	439	373	047	-	232	-	563	1335	489	-	335	116	-	148	-	960	
1335	365	421	106	080	-	871	1335	440	1335	440	381	041	-	264	-	530	1335	490	-	335	193	-	261	-	211	
1335	366	312	101	057	-	703	1335	441	1335	441	366	038	-	244	-	526	1335	491	-	335	184	-	153	-	039	
1335	367	234	082	069	-	638	1335	442	1335	442	345	037	-	216	-	472	1335	492	-	335	144	-	116	-	870	
1335	368	185	084	115	-	430	1335	443	1335	443	359	040	-	237	-	535	1335	493	-	335	087	-	053	-	800	
1335	369	548	136	151	-1	070	1335	444	1335	444	374	044	-	233	-	478	1335	494	-	335	097	-	185	-	135	
1335	370	473	106	178	-	927	1335	445	1335	445	377	052	-	202	-	602	1335	495	-	335	112	-	162	-	339	
1335	371	454	112	094	-	965	1335	446	1335	446	355	054	-	201	-	211	1335	496	-	335	112	-	162	-	034	
1335	372	442	125	215	-	915	1335	447	1335	447	366	052	-	218	-	298	1335	497	-	335	126	-	722	-	067	
1335	373	348	116	105	-	727	1335	448	1335	448	386	048	-	245	-	608	1335	498	-	335	283	-	693	-	339	
1335	374	254	094	231	-	601	1335	449	1335	449	377	045	-	244	-	608	1335	499	-	335	244	-	722	-	067	
1335	375	187	076	178	-	460	1335	450	1335	450	353	042	-	201	-	224	1335	500	-	335	307	-	784	-	341	
1335	401	354	079	138	-	915	1335	451	1335	451	344	039	-	206	-	226	1335	501	-	335	114	-	174	-	020	
1335	402	354	076	119	-	764	1335	452	1335	452	370	039	-	216	-	222	1335	502	-	335	098	-	180	-	017	
1335	403	362	085	057	-	902	1335	453	1335	453	360	042	-	211	-	224	1335	503	-	335	115	-	220	-	280	
1335	404	356	081	096	-	819	1335	454	1335	454	342	041	-	199	-	222	1335	504	-	331	102	-	221	-	107	
1335	405	371	084	077	-	795	1335	455	1335	455	348	044	-	181	-	233	1335	505	-	331	112	-	241	-	166	

APPENDIX A -- PRESSURE DATA:

MAIN PLACE HOTEL -- CONF. B -- DALLAS , TEXAS

WD	TAP	CPMEAN	CPRMS	CPMAX	CPMIN	WD	TAP	CPMEAN	CPRMS	CPMAX	CPMIN	WD	TAP	CPMEAN	CPRMS	CPMAX	CPMIN
1335	548	.574	.107	.249	-1.159	135	643	-.291	.051	-.061	-.466	135	739	-.038	.085	.455	-.213
1335	549	.603	.136	.195	-1.309	135	644	-.296	.049	-.126	-.523	135	740	-.053	.075	.263	-.398
1335	550	.489	.079	.222	-.806	135	645	-.281	.045	-.109	-.467	135	741	-.012	.081	.333	-.426
1335	551	.425	.076	.169	-.726	135	646	-.260	.050	-.063	-.444	135	742	-.042	.088	.607	-.260
1335	552	.384	.078	.128	-.701	135	647	-.263	.049	-.072	-.449	135	743	-.035	.074	.654	-.401
1335	553	.403	.082	.120	-.705	135	648	-.260	.040	-.102	-.404	135	744	-.006	.068	.440	-.222
1335	554	.410	.098	.038	-.811	135	649	-.256	.038	-.104	-.385	135	745	-.013	.083	.560	-.289
1335	555	.371	.099	.077	-.984	135	650	-.268	.039	-.088	-.412	135	746	-.005	.085	.398	-.355
1335	601	.253	.052	.057	-.415	135	651	-.235	.050	-.069	-.401	135	747	.145	.040	.233	-.052
1335	602	.233	.047	.068	-.392	135	652	-.229	.048	-.010	-.399	135	748	.082	.050	.267	-.030
1335	603	.253	.051	.071	-.487	135	653	-.233	.039	-.089	-.353	150	1	.115	.193	.554	-.588
1335	604	.288	.056	.087	-.487	135	654	-.253	.039	-.125	-.404	150	2	.293	.294	.998	-.079
1335	605	.310	.071	.047	-.633	135	655	-.229	.048	-.028	-.403	150	3	.439	.285	1.160	-.483
1335	606	.233	.057	.056	-.493	135	701	-.027	.089	-.486	-.352	150	4	.356	.285	.093	-.475
1335	607	.176	.045	.002	-.352	135	702	-.015	.095	-.430	-.442	150	5	.308	.264	.109	-.449
1335	608	.169	.046	.002	-.346	135	703	-.050	.097	-.489	-.294	150	6	.285	.247	.032	-.459
1335	609	.199	.051	.009	-.457	135	704	-.074	.110	-.490	-.337	150	7	.244	.238	.034	-.470
1335	610	.266	.071	.012	-.602	135	705	-.098	.123	-.676	-.424	150	8	.185	.235	.934	-.607
1335	611	.144	.054	.054	-.333	135	706	-.010	.075	-.516	-.551	150	9	.175	.241	.910	-.592
1335	612	.155	.043	.014	-.395	135	707	-.025	.091	-.469	-.286	150	10	.155	.228	.857	-.522
1335	613	.177	.043	.028	-.327	135	708	-.009	.111	-.557	-.342	150	11	.091	.229	.804	-.716
1335	614	.208	.051	.040	-.418	135	709	-.015	.078	-.493	-.270	150	12	.021	.224	.817	-.853
1335	615	.182	.074	.099	-.489	135	710	-.018	.079	-.363	-.269	150	13	-.004	.228	.721	-.649
1335	616	.222	.051	.074	-.453	135	711	-.009	.086	-.472	-.359	150	14	-.013	.217	.822	-.622
1335	617	.244	.048	.081	-.443	135	712	-.035	.075	-.268	-.363	150	15	-.061	.212	.772	-.641
1335	618	.329	.052	.143	-.548	135	713	-.050	.101	-.473	-.793	150	16	-.176	.199	.639	-.717
1335	619	.326	.066	.114	-.714	135	715	-.097	.085	-.311	-.567	150	17	-.180	.185	.640	-.712
1335	620	.333	.069	.104	-.680	135	716	-.048	.087	-.299	-.314	150	18	-.180	.171	.553	-.676
1335	621	.333	.070	.102	-.633	135	717	-.075	.083	-.275	-.436	150	19	-.287	.159	.413	-.729
1335	622	.333	.071	.136	-.823	135	718	-.086	.092	-.413	-.497	150	20	-.626	.181	.413	-.582
1335	623	.333	.081	.182	-.792	135	719	-.032	.085	-.291	-.379	150	21	-.449	.120	.048	-.930
1335	624	.366	.079	.176	-.745	135	720	-.074	.094	-.296	-.552	150	22	-.410	.279	.139	-.464
1335	625	.210	.058	.007	-.474	135	721	-.073	.104	-.416	-.664	150	23	.348	.273	.132	-.785
1335	626	.256	.050	.056	-.434	135	722	-.002	.066	-.299	-.247	150	24	.334	.257	.090	-.486
1335	627	.277	.061	.078	-.333	135	723	-.053	.088	-.299	-.507	150	25	.289	.254	.050	-.483
1335	628	.227	.068	.051	-.629	135	724	-.055	.092	-.301	-.455	150	26	.261	.242	.964	-.450
1335	629	.333	.074	.069	-.749	135	725	-.007	.081	-.607	-.203	150	27	.239	.246	.996	-.774
1335	630	.345	.080	.099	-.815	135	726	-.005	.074	-.467	-.220	150	28	.223	.236	.936	-.974
1335	631	.372	.085	.121	-.802	135	727	-.036	.071	-.422	-.289	150	29	.166	.238	.948	-.806
1335	632	.343	.092	.086	-.821	135	728	-.029	.071	-.403	-.304	150	30	.111	.204	.747	-.701
1335	633	.238	.092	.107	-.948	135	729	-.030	.076	-.391	-.503	150	31	.091	.231	.844	-.951
1335	634	.200	.049	.009	-.430	135	730	-.052	.078	-.279	-.509	150	32	-.054	.221	.806	-.786
1335	635	.213	.051	.009	-.422	135	731	-.043	.149	-.672	-.692	150	33	-.019	.225	.740	-.731
1335	636	.223	.066	.046	-.477	135	732	-.045	.138	-.587	-.545	150	34	-.061	.218	.722	-.761
1335	637	.200	.072	.033	-.356	135	733	-.015	.109	-.633	-.312	150	35	-.167	.206	.678	-.669
1335	638	.300	.081	.021	-.777	135	734	-.036	.105	-.530	-.456	150	36	-.150	.179	.589	-.598
1335	639	.344	.093	.085	-.777	135	735	-.003	.093	-.600	-.351	150	37	-.218	.160	.515	-.747
1335	640	.348	.099	.065	-.923	135	736	-.001	.094	-.424	-.311	150	38	-.318	.143	.367	-.720
1335	641	.355	.120	.019	-.517	135	737	-.044	.084	-.289	-.419	150	39	-.021	.167	.421	-.577
1335	642	.375	.065	.005	-.517	135	738	-.017	.076	-.409	-.396	150	40	-.123	.321	.962	-.118

APPENDIX A -- PRESSURE DATA: MAIN PLACE HOTEL -- CONF. B -- DALLAS , TEXAS

WD	TAP	CPMEAN	CPRMS	CPMAX	CPMIN	WD	TAP	CPMEAN	CPRMS	CPMAX	CPMIN	WD	TAP	CPMEAN	CPRMS	CPMAX	CPMIN
150	41	.329	.275	1.075	-.515	150	91	.138	.120	.708	-.422	150	141	.092	.119	.473	-.662
150	42	.316	.256	1.119	-.528	150	92	.146	.132	.723	-.329	150	142	.099	.129	.547	-.865
150	43	.284	.245	1.093	-.323	150	93	.167	.131	.734	-.322	150	143	.136	.126	.673	-.349
150	44	.255	.239	1.022	-.489	150	94	.146	.137	.847	-.290	150	144	.143	.130	.768	-.265
150	45	.253	.232	1.007	-.440	150	95	.142	.132	.790	-.326	150	145	.144	.126	.759	-.245
150	46	.161	.228	.961	-.150	150	96	.104	.126	.727	-.311	150	146	.141	.134	.745	-.288
150	47	.193	.236	.833	-.1041	150	97	.091	.120	.677	-.279	150	147	.119	.119	.589	-.215
150	48	.147	.246	.851	-.987	150	98	.009	.137	.695	-.534	150	148	.093	.128	.853	-.258
150	49	.112	.256	.889	-.066	150	99	.062	.150	.708	-.596	150	149	.078	.119	.834	-.267
150	50	.076	.251	.859	-.1039	150	100	.316	.175	.320	-.1025	150	150	.046	.127	.932	-.308
150	51	.012	.232	.607	.844	150	101	.211	.114	.222	-.707	150	151	.028	.125	.806	-.399
150	52	.081	.247	.671	-.1054	150	102	.285	.090	.051	-.736	150	152	.073	.121	.389	-.528
150	53	.110	.233	.647	-.1028	150	103	.347	.077	.002	-.619	150	153	.062	.110	.423	-.593
150	54	.187	.194	.553	-.806	150	104	.542	.126	.197	-.1134	150	154	.082	.123	.466	-.545
150	55	.202	.146	.453	-.680	150	105	.435	.088	.163	-.811	150	155	.126	.164	.484	-.679
150	56	.258	.144	.333	-.664	150	106	.413	.075	.161	-.690	150	156	.272	.300	.685	-.317
150	57	.322	.125	.254	-.746	150	107	.556	.143	.148	-.1310	150	157	.321	.219	.621	-.106
150	58	.491	.128	.130	-.1079	150	108	.190	.108	.325	-.581	150	158	.409	.079	.166	-.748
150	59	.458	.110	.104	-.874	150	109	.047	.124	.598	-.496	150	159	.607	.155	.167	-.1326
150	60	.209	.260	.104	-.572	150	110	.027	.141	.715	-.467	150	160	.186	.118	.641	-.577
150	61	.226	.235	.010	.417	150	111	.009	.158	.801	-.603	150	161	.083	.130	.737	-.447
150	62	.232	.214	.949	-.340	150	112	.058	.144	.684	-.613	150	162	.037	.134	.694	-.412
150	63	.104	.213	.856	-.829	150	113	.092	.120	.596	-.440	150	163	.029	.138	.788	-.408
150	64	.098	.188	.666	-.572	150	114	.066	.112	.511	-.575	150	164	.041	.121	.705	-.298
150	65	.138	.155	.728	-.436	150	115	.091	.114	.500	-.450	150	165	.056	.103	.526	-.223
150	66	.164	.145	.703	-.302	150	116	.109	.120	.613	-.583	150	166	.055	.103	.492	-.239
150	67	.178	.161	.768	-.368	150	117	.137	.117	.634	-.304	150	167	.054	.112	.623	-.389
150	68	.191	.123	.597	-.143	150	118	.134	.122	.640	-.322	150	168	.063	.117	.023	-.561
150	69	.199	.162	.998	-.245	150	119	.147	.124	.664	-.527	150	169	.100	.107	.622	-.151
150	70	.219	.153	.999	-.192	150	120	.156	.129	.714	-.380	150	170	.092	.119	.910	-.272
150	71	.208	.161	.966	-.226	150	121	.137	.121	.609	-.335	150	171	.096	.109	.593	-.156
150	72	.187	.160	.978	-.254	150	122	.102	.120	.697	-.288	150	172	.092	.117	.656	-.168
150	73	.176	.167	.987	-.299	150	123	.093	.137	.854	-.354	150	173	.093	.112	.649	-.176
150	74	.162	.153	1.005	-.286	150	124	.040	.137	.826	-.531	150	174	.079	.103	.610	-.205
150	75	.077	.167	1.000	-.472	150	125	.012	.143	.884	-.530	150	175	.063	.101	.983	-.215
150	76	.024	.187	.566	-.554	150	126	.209	.141	.380	-.768	150	176	.051	.092	.787	-.225
150	77	.211	.189	.562	-.931	150	127	.173	.114	.258	-.728	150	177	.046	.085	.453	-.462
150	78	.224	.144	.405	-.801	150	128	.228	.108	.345	-.618	150	178	.035	.091	.423	-.401
150	79	.324	.099	.135	-.651	150	129	.328	.101	.152	-.650	150	179	.028	.101	.460	-.347
150	80	.373	.083	.121	-.741	150	130	.615	.142	.184	-.1293	150	180	.010	.113	.506	-.371
150	81	.516	.187	.007	-.536	150	131	.489	.106	.007	-.1009	150	181	.011	.142	.627	-.479
150	82	.132	.149	.580	-.653	150	132	.443	.087	.178	-.835	150	182	.182	.231	.709	-.1056
150	83	.017	.156	.746	-.520	150	133	.607	.185	.111	-.1414	150	183	.312	.145	.384	-.721
150	84	.031	.167	.922	-.485	150	134	.156	.147	.462	-.633	150	184	.007	.120	.552	-.437
150	85	.074	.163	.883	-.421	150	135	.032	.175	.635	-.671	150	185	.025	.112	.612	-.432
150	86	.039	.144	.699	-.547	150	136	.024	.183	.801	-.462	150	186	.030	.097	.705	-.451
150	87	.063	.121	.555	-.338	150	137	.052	.190	.840	-.476	150	187	.039	.095	.419	-.706
150	88	.080	.120	.526	-.361	150	138	.078	.154	.729	-.460	150	188	.033	.088	.345	-.526
150	89	.111	.113	.528	-.274	150	139	.088	.129	.607	-.418	150	189	.033	.121	.593	-.361
150	90	.102	.118	.547	-.354	150	140	.089	.124	.517	-.489	150	190	.044	.114	.617	-.345

APPENDIX A -- PRESSURE DATA: MAIN PLACE HOTEL -- CONF. B -- DALLAS, TEXAS

WD	TAP	CPMEAN	CPRMS	CPMAX	CPMIN	WD	TAP	CPMEAN	CPRMS	CPMAX	CPMIN	WD	TAP	CPMEAN	CPRMS	CPMAX	CPMIN
150	191	.046	.107	.488	-.493	150	325	.426	.057	-.239	-.663	150	375	-.244	.089	-.065	-.629
150	192	.043	.098	.526	-.486	150	326	-.408	.062	-.172	-.673	150	401	-.374	.106	-.082	-.899
150	193	.054	.091	.548	-.402	150	327	-.364	.063	-.145	-.615	150	402	-.384	.108	-.060	-.860
150	194	.389	.110	-.056	-.752	150	328	-.348	.062	-.132	-.590	150	403	-.420	.153	-.057	-.1081
150	195	.573	.150	-.107	-.476	150	329	-.345	.061	-.126	-.603	150	404	-.422	.155	-.044	-.1266
150	196	.155	.104	.453	-.415	150	330	-.357	.067	-.090	-.615	150	405	-.439	.154	-.059	-.1241
150	197	.044	.107	.574	-.357	150	331	-.475	.112	-.198	-.1030	150	406	-.439	.126	-.092	-.1053
150	198	.002	.107	.623	-.310	150	332	-.484	.108	-.191	-.154	150	407	-.431	.105	-.150	-.1097
150	199	.010	.114	.588	-.397	150	333	-.483	.096	-.183	-.922	150	408	-.443	.102	-.169	-.1201
150	200	.076	.102	.491	-.250	150	334	-.479	.089	-.080	-.930	150	409	-.457	.116	-.149	-.1656
150	201	.151	.124	.669	-.244	150	335	-.444	.078	-.143	-.864	150	410	-.393	.102	-.076	-.879
150	202	.045	.114	.509	-.351	150	336	-.431	.071	-.116	-.728	150	411	-.396	.097	-.063	-.923
150	203	.011	.125	.504	-.410	150	337	-.400	.071	-.133	-.642	150	412	-.439	.110	-.002	-.859
150	204	.314	.186	.387	-.092	150	338	-.375	.068	-.124	-.606	150	413	-.452	.119	-.055	-.1135
150	205	.329	.100	.299	-.633	150	339	-.349	.068	-.097	-.592	150	414	-.441	.115	-.062	-.1149
150	206	.293	.077	-.065	-.433	150	340	-.341	.075	-.078	-.611	150	415	-.446	.107	-.061	-.989
150	207	.529	.184	.020	-.235	150	341	-.634	.186	-.151	-.610	150	416	-.456	.107	-.173	-.1011
150	208	.191	.066	.172	-.442	150	342	-.608	.168	-.202	-.1598	150	417	-.439	.104	-.154	-.1263
150	209	.092	.071	.292	-.266	150	343	-.564	.152	-.131	-.330	150	418	-.418	.097	-.154	-.967
150	210	.009	.082	.438	-.211	150	344	-.538	.131	-.146	-.104	150	419	-.406	.085	-.105	-.804
150	211	.030	.097	.653	-.202	150	345	-.492	.108	-.044	-.899	150	420	-.414	.076	-.133	-.847
150	212	.073	.096	.442	-.219	150	346	-.439	.093	-.080	-.826	150	421	-.409	.061	-.135	-.647
150	213	.067	.094	.438	-.211	150	347	-.378	.087	-.069	-.717	150	422	-.389	.059	-.211	-.625
150	214	.011	.102	.528	-.287	150	348	-.350	.082	-.014	-.660	150	423	-.402	.064	-.155	-.729
150	215	.021	.103	.506	-.319	150	349	-.340	.079	-.000	-.654	150	424	-.418	.069	-.155	-.762
150	301	.383	.206	.356	-.1	150	350	-.351	.067	-.093	-.668	150	425	-.421	.079	-.185	-.832
150	302	.401	.089	.119	-.828	150	351	-.573	.161	-.145	-.494	150	426	-.405	.093	-.168	-.1173
150	303	.415	.087	.153	-.806	150	352	-.586	.160	-.155	-.345	150	427	-.414	.100	-.138	-.1190
150	304	.420	.082	.139	-.768	150	353	-.578	.156	-.154	-.264	150	428	-.417	.074	-.195	-.824
150	305	.424	.076	.175	-.791	150	354	-.542	.147	-.088	-.212	150	429	-.406	.065	-.188	-.732
150	306	.401	.073	.157	-.733	150	355	-.471	.120	-.048	-.871	150	430	-.383	.056	-.199	-.614
150	307	.391	.064	.209	-.739	150	356	-.416	.086	-.068	-.724	150	431	-.381	.049	-.213	-.544
150	308	.363	.064	.158	-.688	150	357	-.361	.091	-.028	-.711	150	432	-.391	.048	-.230	-.565
150	309	.350	.059	.159	-.574	150	358	-.316	.080	-.053	-.668	150	433	-.389	.051	-.239	-.595
150	310	.340	.065	.144	-.675	150	359	-.323	.074	-.048	-.618	150	434	-.374	.055	-.237	-.623
150	311	.346	.076	.090	-.714	150	360	-.329	.065	-.048	-.674	150	435	-.384	.059	-.228	-.677
150	312	.390	.073	.115	-.641	150	361	-.506	.116	-.202	-.1041	150	436	-.396	.062	-.226	-.762
150	313	.395	.071	.150	-.733	150	362	-.525	.129	-.126	-.139	150	437	-.390	.054	-.244	-.600
150	314	.403	.069	.142	-.823	150	363	-.521	.130	-.154	-.1081	150	438	-.371	.052	-.239	-.592
150	315	.392	.063	.186	-.643	150	364	-.521	.120	-.166	-.093	150	439	-.382	.049	-.233	-.619
150	316	.365	.054	.203	-.574	150	365	-.471	.105	-.191	-.844	150	440	-.386	.045	-.266	-.548
150	317	.358	.053	.191	-.555	150	366	-.400	.102	-.060	-.872	150	441	-.383	.043	-.242	-.538
150	318	.346	.049	.172	-.753	150	367	-.322	.087	-.035	-.639	150	442	-.362	.041	-.220	-.519
150	319	.335	.056	.149	-.583	150	368	-.259	.090	-.052	-.617	150	443	-.375	.043	-.227	-.593
150	320	.327	.061	.157	-.705	150	369	-.559	.158	-.103	-.344	150	444	-.388	.047	-.252	-.629
150	321	.344	.073	.107	-.792	150	370	-.506	.130	-.154	-.102	150	445	-.383	.053	-.188	-.585
150	322	.441	.075	.211	-.929	150	371	-.487	.125	-.152	-.097	150	446	-.362	.053	-.199	-.550
150	323	.437	.065	.202	-.753	150	372	-.515	.133	-.011	-.102	150	447	-.373	.052	-.211	-.567
150	324	.428	.060	.198	-.650	150	373	-.450	.111	-.014	-.878	150	448	-.387	.049	-.233	-.572
150	324	.433	.057	.216	-.662	150	374	-.353	.099	-.014	-.721	150	449	-.381	.050	-.237	-.538

APPENDIX A -- PRESSURE DATA: MAIN PLACE HOTEL -- CONF. B -- DALLAS , TEXAS

WD	TAP	CPMEAN	CPRMS	CPMAX	CPMIN	WD	TAP	CPMEAN	CPRMS	CPMAX	CPMIN	WD	TAP	CPMEAN	CPRMS	CPMAX	CPMIN
150	450	3359	.045	2223	512	150	354	469	.085	206	875	150	637	285	.076	060	609
150	451	3354	.043	2225	485	150	355	315	.108	033	-1.009	150	638	327	.087	047	738
150	452	3380	.042	2247	525	150	356	439	.094	179	-1.009	150	639	375	.104	088	953
150	453	3375	.046	2235	555	150	357	434	.086	163	-.943	150	640	392	.117	105	109
150	454	3356	.045	2227	524	150	358	460	.091	204	-.930	150	641	393	.138	017	235
150	455	3362	.046	2290	527	150	359	506	.103	212	-1.032	150	642	315	.065	080	573
150	456	3373	.047	2228	558	150	360	572	.097	219	-.964	150	643	326	.049	111	508
150	457	3369	.046	2235	573	150	361	669	.134	276	-1.273	150	644	322	.045	147	479
150	458	3357	.046	2206	573	150	362	461	.071	232	-.795	150	645	301	.232	130	450
150	501	3372	.044	2234	581	150	363	367	.071	149	-.646	150	646	286	.052	076	504
150	502	3388	.069	2288	589	150	364	338	.066	100	-.605	150	647	300	.059	057	550
150	503	3388	.044	2258	559	150	365	419	.091	078	-.783	150	648	294	.045	061	468
150	504	3357	.049	2199	599	150	366	466	.116	097	-.972	150	649	283	.040	142	433
150	505	3388	.065	2232	551	150	367	358	.079	084	-.646	150	650	285	.039	147	405
150	506	3372	.058	2111	677	150	368	281	.069	017	-.686	150	651	244	.047	086	426
150	507	3364	.088	4993	291	150	369	254	.056	045	-.469	150	652	258	.055	063	540
150	508	073	.099	6733	216	150	370	288	.063	074	-.598	150	653	253	.042	070	396
150	509	054	1.00	6055	427	150	371	329	.069	100	-.650	150	654	260	.044	099	393
150	510	034	1.08	5066	427	150	372	384	.084	124	-.709	150	655	231	.048	076	414
150	511	086	1.09	6900	180	150	373	262	.083	137	-.740	150	701	025	.104	816	468
150	512	092	1.15	6666	189	150	374	194	.063	069	-.555	150	702	064	.101	766	410
150	513	083	1.06	6614	232	150	375	189	.059	002	-.461	150	703	076	.086	547	246
150	514	104	1.19	8333	202	150	376	246	.068	021	-.564	150	704	073	.090	445	286
150	515	092	1.07	5885	185	150	377	357	.104	066	-.773	150	705	053	.111	493	552
150	516	017	1.54	5885	614	150	378	149	.077	119	-.693	150	706	002	.084	531	361
150	517	065	1.42	5622	368	150	379	174	.060	077	-.447	150	707	035	.083	497	322
150	518	061	1.49	5448	456	150	380	217	.058	012	-.440	150	708	011	.121	548	524
150	519	043	1.97	7332	059	150	381	292	.086	064	-.658	150	709	017	.080	330	330
150	520	153	1.44	8117	249	150	382	166	.103	436	-.529	150	710	032	.080	342	296
150	521	127	1.55	769	518	150	383	261	.051	091	-.466	150	711	035	.149	362	712
150	522	112	1.47	6433	401	150	384	281	.052	117	-.481	150	712	111	.154	312	733
150	523	200	1.53	8824	289	150	385	325	.054	160	-.530	150	713	024	.125	615	914
150	524	208	1.61	8550	309	150	386	348	.065	159	-.607	150	715	090	.101	391	788
150	525	594	2.63	2888	421	150	387	342	.071	100	-.627	150	716	007	.102	376	367
150	526	461	.095	0881	837	150	388	368	.073	114	-.700	150	717	068	.098	297	496
150	527	418	.085	091	743	150	389	409	.081	160	-.747	150	718	116	.112	342	545
150	528	486	.138	076	455	150	390	449	.096	119	-.908	150	719	014	.096	447	360
150	529	681	1.55	191	315	150	391	422	.097	142	-.876	150	720	103	.110	481	553
150	530	469	1.55	209	053	150	392	232	.058	021	-.505	150	721	166	.138	348	603
150	531	549	1.38	228	058	150	393	251	.056	061	-.502	150	722	006	.079	387	247
150	532	575	1.96	343	243	150	394	300	.065	102	-.631	150	723	086	.103	542	499
150	533	571	1.49	033	262	150	395	305	.071	035	-.566	150	724	209	.154	326	853
150	534	435	.088	166	792	150	396	342	.079	060	-.671	150	725	029	.082	482	264
150	535	239	1.45	252	81	150	397	375	.088	134	-.844	150	726	000	.078	389	335
150	536	438	.096	157	890	150	398	407	.097	138	-.980	150	727	023	.082	469	310
150	537	182	.098	182	985	150	399	424	.119	121	-1.112	150	728	060	.097	660	381
150	538	402	.212	460	034	150	400	436	.127	102	-1.366	150	729	111	.117	498	528
150	539	514	.191	298	158	150	401	230	.055	021	-.469	150	730	174	.161	353	940
150	540	342	.327	705	207	150	402	240	.058	026	-.481	150	731	107	.104	531	391
150	541	661	.146	196	315	150	403	246	.069	009	-.620	150	732	096	.104	528	284

APPENDIX A -- PRESSURE DATA: MAIN PLACE HOTEL -- CONF. B -- DALLAS, TEXAS

WD	TAP	CPMEAN	CPRMS	CPMAX	CPMIN	WD	TAP	CPMEAN	CPRMS	CPMAX	CPMIN	WD	TAP	CPMEAN	CPRMS	CPMAX	CPMIN
150	733	.137	.104	.619	-.350	165	35	.107	.231	.867	-.634	165	85	.183	.178	.555	-.902
150	734	.129	.111	.641	-.264	165	36	.093	.203	.685	-.555	165	86	.082	.151	.622	-.626
150	735	.160	.112	.634	-.301	165	37	.007	.178	.647	-.577	165	87	.012	.138	.657	-.425
150	736	.161	.111	.611	-.196	165	38	.172	.142	.354	-.706	165	88	.019	.130	.696	-.345
150	737	.084	.116	.499	-.471	165	39	.043	.258	.806	-1.040	165	89	.048	.129	.616	-.377
150	738	.163	.125	.676	-.236	165	40	.023	.301	.949	-1.273	165	90	.073	.133	.637	-.309
150	739	.171	.113	.699	-.147	165	41	.045	.259	.768	-1.144	165	91	.137	.141	.704	-.266
150	740	.065	.129	.603	-.581	165	42	.016	.209	.759	-.713	165	92	.126	.138	.645	-.229
150	741	.129	.131	.655	-.262	165	43	.018	.199	.780	-.537	165	93	.124	.137	.650	-.230
150	742	.142	.110	.636	-.206	165	44	.022	.198	.902	-.905	165	94	.091	.136	.680	-.369
150	743	.026	.097	.445	-.529	165	45	.014	.226	.751	-1.656	165	95	.079	.137	.741	-.410
150	744	.099	.103	.736	-.314	165	46	.021	.218	.930	-1.023	165	96	.076	.137	.696	-.418
150	745	.119	.118	.556	-.578	165	47	.004	.242	.987	-1.291	165	97	.097	.164	.704	-.410
150	746	.116	.111	.536	-.217	165	48	.004	.263	.914	-1.194	165	98	.064	.186	.751	-.518
150	747	.299	.032	.374	.229	165	49	.104	.284	1.057	-1.031	165	99	.067	.207	.876	-.633
150	748	.169	.064	.340	-.023	165	50	.146	.282	1.105	-.970	165	100	.015	.200	.887	-.709
165	1	.217	.337	.029	-1.186	165	51	.145	.271	.870	-1.041	165	101	.016	.176	.817	-.642
165	2	.242	.349	.133	-.054	165	52	.145	.296	.921	-1.067	165	102	.125	.149	.540	-.680
165	3	.038	.295	.963	-1.392	165	53	.143	.274	.902	-.965	165	103	.238	.115	.367	-.728
165	4	.012	.238	.756	-.964	165	54	.113	.240	.915	-.736	165	104	.606	.208	.212	-1.574
165	5	.041	.211	.679	-.716	165	55	.057	.192	.616	-.520	165	105	.409	.096	.167	-.854
165	6	.057	.201	.743	-.685	165	56	.046	.197	.754	-.826	165	106	.413	.082	.112	-.795
165	7	.047	.207	.804	-.799	165	57	.176	.157	.467	-.688	165	107	.448	.108	.088	-.964
165	8	.015	.216	.914	-.747	165	58	.527	.177	1.160	-1.585	165	108	.259	.079	.064	-.538
165	9	.048	.243	.031	-.930	165	59	.447	.100	1.101	-.886	165	109	.179	.100	.505	-.477
165	10	.087	.245	.100	-.796	165	60	.216	.234	.649	-1.149	165	110	.202	.120	.596	-.605
165	11	.079	.260	.010	-.898	165	61	.067	.201	.693	-.998	165	111	.221	.167	.668	-.854
165	12	.077	.266	.885	-.818	165	62	.010	.189	.708	-.915	165	112	.074	.141	.578	-.553
165	13	.096	.264	.822	-.977	165	63	.039	.174	.853	-.527	165	113	.008	.130	.574	-.464
165	14	.133	.255	.882	-.871	165	64	.047	.159	1.051	-.416	165	114	.007	.122	.566	-.395
165	15	.117	.255	.865	-.769	165	65	.069	.155	.747	-.380	165	115	.052	.124	.644	-.331
165	16	.061	.231	.818	-.766	165	66	.110	.157	.778	-.360	165	116	.094	.124	.551	-.285
165	17	.049	.213	.688	-.744	165	67	.129	.172	1.008	-.302	165	117	.136	.132	.629	-.238
165	18	.021	.184	.671	-.608	165	68	.145	.152	.754	-.208	165	118	.124	.131	.607	-.238
165	19	.135	.145	.396	-.687	165	69	.173	.183	.916	-.329	165	119	.132	.132	.631	-.258
165	20	.677	.231	.144	-1.675	165	70	.188	.173	.894	-.286	165	120	.107	.139	.711	-.283
165	21	.421	.088	.188	-.843	165	71	.158	.175	.905	-.328	165	121	.081	.137	.722	-.360
165	22	.020	.289	.792	-1.142	165	72	.125	.181	.905	-.390	165	122	.056	.132	.607	-.324
165	23	.005	.226	.787	-.801	165	73	.123	.203	1.256	-.491	165	123	.066	.149	.700	-.322
165	24	.034	.213	.789	-.884	165	74	.147	.204	1.163	-.439	165	124	.081	.156	.833	-.323
165	25	.016	.219	.787	-.834	165	75	.133	.239	.940	-.584	165	125	.086	.180	.871	-.377
165	26	.033	.227	.778	-.878	165	76	.154	.274	1.216	-.639	165	126	.026	.160	.516	-.404
165	27	.033	.221	.841	-.878	165	77	.079	.235	.780	-.661	165	127	.007	.165	.573	-.449
165	28	.063	.228	.817	-.873	165	78	.016	.209	.659	-.725	165	128	.077	.141	.525	-.572
165	29	.055	.247	.846	-.008	165	79	.200	.131	.296	-.822	165	129	.217	.114	.306	-.652
165	30	.112	.219	.540	-.875	165	80	.380	.086	1.129	-.853	165	130	.671	.151	.343	-1.326
165	31	.103	.269	.895	-.751	165	81	.403	.123	.004	-1.246	165	131	.439	.087	.193	-.848
165	32	.144	.266	.915	-.738	165	82	.259	.091	.155	-.583	165	132	.412	.073	.197	-.760
165	33	.131	.271	.085	-.949	165	83	.185	.165	.348	-.541	165	133	.443	.166	.217	-1.079
165	34	.126	.267	.926	-.747	165	84	.168	.129	.478	-.640	165	134	.249	.097	.214	-.678

APPENDIX A -- PRESSURE DATA: MAIN PLACE HOTEL -- CONF. B -- DALLAS , TEXAS

WD	TAP	CPMEAN	CPRMS	CPMAX	CPMIN	WD	TAP	CPMEAN	CPRMS	CPMAX	CPMIN	WD	TAP	CPMEAN	CPRMS	CPMAX	CPMIN
165	135	.176	.123	.339	.644	165	185	.122	.135	.439	.886	165	319	.419	.091	.121	.834
165	136	.124	.148	.542	.630	165	186	.112	.128	.391	.642	165	320	.440	.094	.145	.836
165	137	.095	.183	.585	.793	165	187	.100	.100	.358	.562	165	321	.370	.064	.172	.626
165	138	.029	.169	.682	.687	165	188	.082	.088	.335	.431	165	322	.350	.055	.201	.574
165	139	.008	.155	.683	.550	165	189	.124	.118	.403	.483	165	323	.357	.052	.213	.570
165	140	.036	.148	.550	.575	165	190	.109	.115	.400	.485	165	324	.370	.049	.233	.545
165	141	.073	.146	.629	.334	165	191	.081	.114	.594	.468	165	325	.375	.047	.228	.550
165	142	.065	.150	.652	.345	165	192	.090	.114	.427	.536	165	326	.356	.045	.199	.574
165	143	.120	.157	.685	.236	165	193	.094	.117	.392	.570	165	327	.349	.050	.203	.650
165	144	.103	.155	.859	.289	165	194	.323	.080	.063	.821	165	328	.357	.071	.192	.813
165	145	.118	.151	.824	.275	165	195	.462	.110	.117	.098	165	329	.376	.106	.172	.076
165	146	.072	.150	.760	.371	165	196	.224	.080	.205	.563	165	330	.369	.128	.107	.332
165	147	.067	.148	.777	.404	165	197	.162	.096	.261	.486	165	331	.361	.063	.152	.629
165	148	.080	.166	.722	.418	165	198	.145	.107	.351	.436	165	332	.376	.062	.171	.626
165	149	.100	.174	.785	.353	165	199	.165	.126	.504	.562	165	333	.389	.060	.196	.631
165	150	.072	.197	.920	.546	165	200	.033	.078	.308	.292	165	334	.381	.054	.229	.644
165	151	.087	.213	.855	.629	165	201	.040	.081	.275	.293	165	335	.375	.050	.236	.633
165	152	.044	.186	.764	.506	165	202	.082	.107	.336	.503	165	336	.367	.045	.236	.570
165	153	.073	.154	.570	.530	165	203	.105	.138	.319	.704	165	337	.350	.042	.121	.508
165	154	.139	.124	.416	.555	165	204	.156	.157	.404	-1.444	165	338	.316	.045	.090	.477
165	155	.271	.103	.171	.612	165	205	.280	.170	.350	.918	165	339	.310	.046	.168	.481
165	156	.631	.219	-.112	.724	165	206	.258	.065	.009	.544	165	340	.318	.047	.122	.494
165	157	.447	.092	-.196	.025	165	207	.361	.133	.074	-1.080	165	341	.433	.078	.224	.792
165	158	.387	.067	.226	.669	165	208	.225	.056	.091	.427	165	342	.411	.071	.225	.658
165	159	.484	.123	.124	.260	165	209	.177	.068	.125	.412	165	343	.416	.068	.241	.661
165	160	.234	.100	.333	.609	165	210	.148	.097	.244	.407	165	344	.427	.065	.256	.727
165	161	.174	.116	.385	.559	165	211	.146	.103	.247	.400	165	345	.415	.060	.254	.748
165	162	.148	.125	.444	.573	165	212	.048	.103	.545	.233	165	346	.361	.050	.211	.549
165	163	.149	.140	.686	.558	165	213	.003	.083	.343	.270	165	347	.328	.048	.117	.493
165	164	.074	.124	.545	.370	165	214	.037	.099	.452	.251	165	348	.313	.045	.095	.448
165	165	.037	.116	.515	.468	165	215	.026	.110	.416	.328	165	349	.316	.045	.123	.477
165	166	.025	.117	.466	.387	165	216	.138	.186	.937	.616	165	350	.310	.047	.063	.526
165	167	.012	.123	.524	.475	165	301	.355	.065	.119	.636	165	351	.507	.104	.171	.077
165	168	.003	.127	.529	.376	165	302	.361	.061	.170	.640	165	352	.512	.100	.159	.910
165	169	.077	.124	.618	.229	165	303	.376	.062	.151	.664	165	353	.508	.098	.196	.997
165	170	.018	.128	.564	.262	165	304	.381	.060	.178	.643	165	354	.465	.091	.197	.963
165	171	.037	.125	.569	.232	165	305	.377	.061	.196	.619	165	355	.413	.075	.173	.911
165	172	.031	.129	.620	.269	165	306	.379	.061	.197	.615	165	356	.372	.055	.210	.626
165	173	.027	.126	.606	.292	165	307	.376	.068	.099	.655	165	357	.337	.057	.137	.575
165	174	.016	.122	.568	.248	165	308	.395	.080	.160	.760	165	358	.304	.053	.086	.491
165	175	.036	.121	.720	.418	165	309	.405	.087	.158	.784	165	359	.354	.062	.140	.579
165	176	.043	.115	.716	.356	165	310	.402	.083	.190	.896	165	360	.341	.054	.159	.522
165	177	.047	.103	.679	.372	165	311	.339	.055	.168	.544	165	361	.661	.148	.249	.421
165	178	.086	.087	.400	.472	165	312	.347	.053	.189	.550	165	362	.583	.149	.183	.220
165	179	.109	.087	.308	.398	165	313	.356	.052	.200	.538	165	363	.524	.125	.203	.096
165	180	.146	.088	.246	.500	165	314	.340	.051	.164	.519	165	364	.455	.094	.166	.972
165	181	.196	.101	.245	.581	165	315	.349	.049	.173	.561	165	365	.389	.069	.156	.699
165	182	.382	.180	.215	.436	165	316	.364	.057	.178	.630	165	366	.322	.067	.120	.734
165	183	.433	.098	.049	.796	165	317	.384	.069	.170	.706	165	367	.285	.060	.079	.565
165	184	.150	.139	.454	.924	165	318	.397	.089	.127	.859	165	368	.203	.091	.092	.545

APPENDIX A -- PRESSURE DATA:

MAIN PLACE HOTEL -- CONF. B -- DALLAS , TEXAS

WD	TAP	CPMEAN	CPRMS	CPMAX	CPMIN	WD	TAP	CPMEAN	CPRMS	CPMAX	CPMIN	WD	TAP	CPMEAN	CPRMS	CPMAX	CPMIN
165	369	734	186	186	-1.448	165	444	364	045	216	535	165	536	406	070	184	717
165	370	565	118	192	-1.040	165	445	366	050	221	546	165	537	422	082	206	910
165	371	517	099	199	-1.033	165	446	347	048	219	522	165	538	321	169	394	923
165	372	447	091	219	-0.949	165	447	356	047	223	521	165	539	218	209	609	983
165	373	396	075	193	-0.759	165	448	367	046	234	522	165	540	011	250	786	975
165	374	308	072	076	-0.614	165	449	365	046	243	536	165	541	401	153	012	989
165	375	304	051	079	-0.528	165	450	349	045	226	542	165	542	295	090	042	666
165	401	379	102	060	-0.806	165	451	352	044	228	518	165	543	186	107	136	570
165	402	412	142	035	-1.099	165	452	375	044	239	542	165	544	186	066	181	672
165	403	331	133	044	-0.991	165	453	366	040	214	512	165	545	396	063	189	699
165	404	318	123	075	-0.914	165	454	347	039	219	492	165	546	414	073	188	817
165	405	334	140	106	-1.088	165	455	354	039	209	503	165	547	458	099	184	954
165	406	343	130	009	-0.978	165	456	361	040	219	505	165	548	443	103	151	913
165	407	387	158	002	-1.171	165	457	363	047	199	546	165	549	439	144	059	097
165	408	462	200	052	-1.335	165	458	349	048	189	542	165	550	358	072	136	990
165	409	655	284	020	-1.741	165	501	355	045	199	508	165	551	354	070	160	687
165	410	371	090	114	-0.802	165	502	370	051	214	584	165	552	335	067	074	600
165	411	353	098	066	-0.798	165	503	365	045	199	534	165	553	480	108	199	156
165	412	343	103	022	-0.808	165	504	347	049	194	630	165	554	630	172	141	426
165	413	331	097	007	-0.859	165	505	359	053	147	550	165	555	394	091	141	854
165	414	320	101	007	-0.840	165	506	373	060	191	602	165	601	324	089	094	749
165	415	332	112	007	-0.968	165	507	027	113	688	258	165	602	329	079	056	734
165	416	376	140	037	-1.129	165	508	049	122	207	233	165	603	321	072	106	765
165	417	467	202	062	-1.438	165	509	045	123	125	260	165	604	324	059	093	556
165	418	553	240	040	-1.508	165	510	021	123	970	326	165	605	338	069	114	831
165	419	355	078	128	-0.791	165	511	068	137	748	373	165	606	277	120	250	736
165	420	354	065	142	-0.664	165	512	087	136	648	273	165	607	277	105	047	800
165	421	353	061	179	-0.830	165	513	079	133	680	292	165	608	263	110	051	723
165	422	338	060	156	-0.730	165	514	094	146	738	204	165	609	249	070	025	648
165	423	346	062	157	-0.624	165	515	053	136	772	224	165	610	318	076	106	702
165	424	356	063	174	-0.622	165	516	008	213	708	033	165	611	187	125	228	693
165	425	363	066	149	-0.708	165	517	006	167	592	017	165	612	248	118	131	922
165	426	357	078	166	-0.976	165	518	006	136	532	365	165	613	230	075	062	786
165	427	375	094	147	-1.100	165	519	001	138	479	435	165	614	251	065	052	530
165	428	372	069	211	-0.811	165	520	070	165	817	452	165	615	052	166	708	505
165	429	357	054	171	-0.608	165	521	062	170	946	533	165	616	226	048	063	388
165	430	339	045	191	-0.519	165	522	056	151	776	477	165	617	261	054	047	471
165	431	348	043	231	-0.526	165	523	138	167	971	306	165	618	333	059	132	569
165	432	361	044	234	-0.604	165	524	120	167	968	337	165	619	354	067	134	621
165	433	357	047	186	-0.569	165	525	425	205	204	192	165	620	344	071	146	730
165	434	341	046	174	-0.581	165	526	292	091	027	701	165	621	353	076	119	700
165	435	352	048	189	-0.634	165	527	385	066	189	762	165	622	392	084	142	788
165	436	369	054	224	-0.659	165	528	340	119	109	052	165	623	435	095	141	874
165	437	381	058	228	-0.636	165	529	362	184	243	156	165	624	448	104	136	988
165	438	361	054	221	-0.606	165	530	365	115	121	186	165	625	173	048	020	365
165	439	363	048	223	-0.538	165	531	259	172	444	840	165	626	225	048	074	422
165	440	368	044	229	-0.510	165	532	119	212	643	839	165	627	290	054	131	584
165	441	361	043	226	-0.514	165	533	421	188	091	443	165	628	289	060	085	553
165	442	341	041	216	-0.502	165	534	276	089	052	696	165	629	315	066	087	586
165	443	350	042	204	-0.499	165	535	108	141	342	614	165	630	338	073	113	692

APPENDIX A -- PRESSURE DATA:

MAIN PLACE HOTEL -- CONF. B -- DALLAS , TEXAS

WD	TAP	CPMEAN	CPRMS	CPMAX	CPMIN	WD	TAP	CPMEAN	CPRMS	CPMAX	CPMIN	WD	TAP	CPMEAN	CPRMS	CPMAX	CPMIN
165	631	-.372	.089	-.119	-.829	165	727	-.142	.102	-.243	-.452	180	29	-.164	.254	-.594	-1.016
165	632	-.440	.133	-.036	-.136	165	728	-.156	.105	-.297	-.461	180	30	-.189	.225	-.427	-.968
165	633	-.512	.178	-.109	-.633	165	729	-.159	.107	-.314	-.540	180	31	-.136	.236	-.517	-1.172
165	634	-.193	.046	-.005	-.333	165	730	-.178	.110	-.339	-.536	180	32	-.097	.218	-.504	-.973
165	635	-.208	.045	-.042	-.423	165	731	-.071	.098	-.306	-.550	180	33	-.117	.213	-.497	-1.141
165	636	-.217	.048	-.024	-.381	165	732	-.088	.090	-.211	-.377	180	34	-.109	.210	-.454	-1.262
165	637	-.241	.050	-.060	-.424	165	733	-.037	.080	-.248	-.390	180	35	-.116	.185	-.527	-.801
165	638	-.268	.058	-.054	-.518	165	734	-.069	.077	-.193	-.316	180	36	-.095	.166	-.572	-.699
165	639	-.302	.075	-.012	-.661	165	735	-.033	.074	-.235	-.242	180	37	-.168	.147	-.514	-.783
165	640	-.344	.109	-.010	-.978	165	736	-.008	.078	-.295	-.281	180	38	-.295	.124	-.361	-.976
165	641	-.333	.152	-.151	-.156	165	737	-.104	.081	-.247	-.437	180	39	-.392	.187	-.436	-1.083
165	642	-.326	.047	-.167	-.503	165	738	-.053	.072	-.240	-.316	180	40	-.390	.260	-.759	-1.445
165	643	-.321	.041	-.181	-.488	165	739	-.067	.109	-.621	-.220	180	41	-.340	.242	-.522	-1.311
165	644	-.302	.041	-.093	-.444	165	740	-.115	.087	-.272	-.654	180	42	-.280	.224	-.358	-1.154
165	645	-.260	.043	-.064	-.450	165	741	-.052	.079	-.294	-.338	180	43	-.280	.222	-.490	-1.393
165	646	-.229	.050	-.067	-.425	165	742	-.029	.087	-.435	-.212	180	44	-.267	.229	-.507	-1.063
165	647	-.235	.043	-.159	-.551	165	743	-.125	.082	-.308	-.515	180	45	-.213	.249	-.536	-1.328
165	648	-.233	.038	-.133	-.454	165	744	-.092	.072	-.266	-.329	180	46	-.244	.254	-.449	-1.324
165	649	-.259	.036	-.119	-.441	165	745	-.082	.069	-.171	-.331	180	47	-.213	.229	-.469	-1.556
165	650	-.232	.043	-.074	-.413	165	746	-.101	.090	-.186	-.569	180	48	-.220	.222	-.454	-1.289
165	651	-.185	.053	-.029	-.510	165	747	-.243	.037	-.322	-.150	180	49	-.192	.228	-.579	-1.084
165	652	-.303	.044	-.164	-.499	165	748	-.025	.035	-.147	-.069	180	50	-.156	.212	-.481	-1.025
165	653	-.284	.039	-.147	-.408	180	1	-.272	.316	-.832	-.337	180	51	-.172	.193	-.372	-.971
165	654	-.256	.042	-.094	-.406	180	2	-.184	.357	-.851	-.257	180	52	-.170	.205	-.479	-1.036
165	655	-.208	.048	-.032	-.419	180	3	-.242	.311	-.668	-.405	180	53	-.143	.193	-.586	-.964
165	701	-.141	.118	-.492	-.663	180	4	-.256	.281	-.656	-.1298	180	54	-.135	.163	-.495	-.617
165	702	-.102	.118	-.484	-.495	180	5	-.211	.279	-.687	-.1113	180	55	-.158	.134	-.490	-.521
165	703	-.073	.121	-.473	-.680	180	6	-.161	.271	-.799	-.043	180	56	-.220	.142	-.399	-.661
165	704	-.091	.119	-.512	-.556	180	7	-.144	.276	-.577	-.011	180	57	-.285	.126	-.239	-.898
165	705	-.145	.181	-.292	-.129	180	8	-.164	.270	-.495	-.1111	180	58	-.557	.156	-.106	-.1461
165	706	-.121	.110	-.408	-.491	180	9	-.121	.258	-.645	-.1285	180	59	-.466	.101	-.212	-.886
165	707	-.115	.115	-.423	-.516	180	10	-.081	.240	-.631	-.1132	180	60	-.430	.219	-.486	-1.474
165	708	-.140	.121	-.250	-.659	180	11	-.092	.235	-.537	-.025	180	61	-.346	.201	-.581	-1.443
165	709	-.143	.111	-.430	-.509	180	12	-.100	.223	-.498	-.902	180	62	-.244	.195	-.502	-.823
165	710	-.122	.110	-.398	-.552	180	13	-.107	.220	-.515	-.962	180	63	-.173	.189	-.521	-.724
165	711	-.149	.117	-.228	-.634	180	14	-.074	.205	-.460	-.900	180	64	-.128	.146	-.411	-.611
165	712	-.185	.119	-.260	-.650	180	15	-.083	.206	-.594	-.738	180	65	-.059	.140	-.501	-.543
165	713	-.163	.135	-.392	-.792	180	16	-.146	.180	-.421	-.818	180	66	-.005	.145	-.535	-.591
165	715	-.190	.123	-.269	-.841	180	17	-.132	.174	-.494	-.832	180	67	-.014	.152	-.608	-.570
165	716	-.134	.121	-.498	-.488	180	18	-.132	.154	-.445	-.713	180	68	-.034	.118	-.378	-.433
165	717	-.159	.113	-.335	-.540	180	19	-.254	.129	-.191	-.726	180	69	-.057	.146	-.537	-.891
165	718	-.169	.117	-.476	-.633	180	20	-.715	.212	-.231	-.604	180	70	-.030	.141	-.595	-.586
165	719	-.129	.118	-.363	-.440	180	21	-.442	.083	-.151	-.917	180	71	-.059	.152	-.523	-.526
165	720	-.186	.124	-.262	-.603	180	22	-.312	.288	-.620	-.402	180	72	-.103	.170	-.462	-.745
165	721	-.185	.122	-.297	-.605	180	23	-.285	.272	-.721	-.188	180	73	-.116	.172	-.447	-1.039
165	722	-.122	.103	-.351	-.405	180	24	-.218	.262	-.655	-.142	180	74	-.119	.148	-.525	-.776
165	723	-.165	.117	-.293	-.442	180	25	-.233	.269	-.620	-.138	180	75	-.168	.160	-.530	-.973
165	724	-.185	.123	-.375	-.488	180	26	-.198	.281	-.582	-.130	180	76	-.123	.210	-.810	-.726
165	725	-.108	.104	-.311	-.354	180	27	-.176	.267	-.602	-.188	180	77	-.114	.166	-.494	-.655
165	726	-.119	.094	-.273	-.372	180	28	-.144	.259	-.687	-.093	180	78	-.171	.150	-.454	-.763

APPENDIX A -- PRESSURE DATA: MAIN PLACE HOTEL -- CONF. B -- DALLAS , TEXAS

WD	TAP	CPMEAN	CPRMS	CPMAX	CPMIN	WD	TAP	CPMEAN	CPRMS	CPMAX	CPMIN	WD	TAP	CPMEAN	CPRMS	CPMAX	CPMIN
180	79	.296	.115	.270	-.306	180	129	.142	.143	.440	-.629	180	179	.021	.144	.581	-.387
180	80	.448	.071	.275	-.046	180	130	.603	.145	.229	-.282	180	180	.043	.120	.467	-.438
180	81	.434	.079	.243	-.935	180	131	.404	.070	.175	-.822	180	181	.170	.114	.400	-.531
180	82	.421	.073	.124	-.743	180	132	.491	.077	.277	-.834	180	182	.639	.287	.017	-.746
180	83	.411	.097	.033	-.814	180	133	.501	.099	.252	-.935	180	183	.421	.101	.159	-.932
180	84	.426	.127	.031	-.877	180	134	.422	.062	.086	-.642	180	184	.103	.115	.270	-.686
180	85	.469	.160	.095	-.875	180	135	.392	.078	.009	-.779	180	185	.043	.127	.426	-.896
180	86	.355	.118	.073	-.710	180	136	.389	.102	.017	-.816	180	186	.012	.126	.578	-.691
180	87	.255	.106	.136	-.710	180	137	.466	.177	.156	-.104	180	187	.006	.125	.569	-.517
180	88	.222	.099	.365	.550	180	138	.212	.127	.265	-.613	180	188	.008	.129	.592	-.349
180	89	.151	.098	.379	.556	180	139	.107	.112	.353	-.614	180	189	.069	.107	.377	-.376
180	90	.143	.103	.346	.611	180	140	.053	.107	.419	-.439	180	190	.029	.121	.477	-.451
180	91	.084	.108	.390	.605	180	141	.011	.103	.462	-.308	180	191	.041	.141	.607	-.375
180	92	.103	.099	.356	.633	180	142	.025	.114	.629	-.355	180	192	.052	.144	.640	-.344
180	93	.083	.097	.334	.655	180	143	.091	.127	.776	-.270	180	193	.059	.146	.630	-.355
180	94	.133	.097	.181	.679	180	144	.091	.121	.677	-.347	180	194	.283	.123	.668	-.894
180	95	.132	.098	.162	.696	180	145	.103	.113	.659	-.349	180	195	.343	.103	.659	-.845
180	96	.176	.105	.266	.877	180	146	.045	.110	.596	-.382	180	196	.193	.088	.159	-.583
180	97	.162	.107	.247	.874	180	147	.019	.098	.583	-.303	180	197	.146	.086	.285	-.444
180	98	.218	.125	.309	.788	180	148	.005	.099	.408	-.284	180	198	.098	.097	.349	-.422
180	99	.222	.152	.415	.888	180	149	.020	.102	.421	-.273	180	199	.050	.122	.408	-.415
180	100	.134	.140	.513	.550	180	150	.003	.128	.507	-.355	180	200	.005	.112	.451	-.282
180	101	.101	.150	.562	.660	180	151	.043	.154	.700	-.450	180	201	.006	.085	.329	-.298
180	102	.166	.151	.459	.657	180	152	.081	.164	.710	-.462	180	202	.054	.091	.488	-.352
180	103	.225	.139	.311	.722	180	153	.064	.156	.790	-.381	180	203	.139	.115	.313	-.500
180	104	.554	.177	.004	-.1	180	154	.013	.138	.854	-.382	180	204	.491	.292	.197	-.558
180	105	.366	.079	.145	.774	180	155	.187	.130	.287	-.638	180	205	.355	.135	.141	-.868
180	106	.477	.057	.302	.774	180	156	.802	.246	.171	-.671	180	206	.267	.098	.045	-.644
180	107	.463	.059	.292	.744	180	157	.449	.093	.186	-.051	180	207	.279	.127	.088	-.958
180	108	.417	.057	.190	.653	180	158	.374	.099	.113	-.047	180	208	.227	.081	.046	-.530
180	109	.395	.077	.104	.733	180	159	.353	.106	.069	-.842	180	209	.193	.075	.082	-.222
180	110	.500	.117	.130	.999	180	160	.278	.074	.031	-.551	180	210	.075	.095	.328	-.877
180	111	.614	.159	.086	.229	180	161	.255	.079	.146	-.499	180	211	.046	.113	.432	-.372
180	112	.343	.101	.196	.633	180	162	.230	.090	.165	-.510	180	212	.005	.093	.364	-.301
180	113	.212	.089	.267	.551	180	163	.240	.123	.254	-.605	180	213	.002	.091	.357	-.329
180	114	.189	.084	.256	.451	180	164	.090	.105	.339	-.409	180	214	.080	.079	.205	-.504
180	115	.114	.088	.401	.333	180	165	.048	.093	.294	-.407	180	215	.112	.077	.233	-.332
180	116	.073	.096	.327	.322	180	166	.041	.095	.302	-.394	180	216	.504	.282	.154	-.589
180	117	.008	.103	.405	.227	180	167	.027	.101	.446	-.280	180	301	.372	.068	.168	-.676
180	118	.057	.098	.353	.330	180	168	.005	.111	.506	-.308	180	302	.393	.068	.222	-.672
180	119	.046	.099	.386	.333	180	169	.062	.122	.593	-.223	180	303	.413	.072	.175	-.711
180	120	.049	.098	.410	.337	180	170	.046	.126	.566	-.344	180	304	.414	.071	.205	-.677
180	121	.073	.093	.349	.445	180	171	.026	.115	.448	-.333	180	305	.406	.071	.200	-.677
180	122	.134	.089	.240	.550	180	172	.008	.121	.431	-.356	180	306	.411	.069	.219	-.668
180	123	.139	.104	.382	.452	180	173	.011	.115	.369	-.477	180	307	.407	.073	.147	-.728
180	124	.134	.118	.247	.552	180	174	.027	.111	.373	-.356	180	308	.413	.080	.137	-.847
180	125	.134	.141	.421	.664	180	175	.022	.124	.569	-.470	180	309	.415	.091	.125	-.919
180	126	.068	.140	.399	.599	180	176	.002	.141	.790	-.494	180	310	.394	.098	.115	-.978
180	127	.040	.170	.643	.591	180	177	.056	.168	.837	-.663	180	311	.364	.066	.162	-.604
180	128	.067	.161	.576	.565	180	178	.061	.154	.757	-.382	180	312	.374	.065	.189	-.627

APPENDIX A -- PRESSURE DATA:

MAIN PLACE HOTEL -- CONF. B -- DALLAS , TEXAS

WD	TAP	CPMEAN	CPRMS	CPMAX	CPMIN	WD	TAP	CPMEAN	CPRMS	CPMAX	CPMIN	WD	TAP	CPMEAN	CPRMS	CPMAX	CPMIN
180	313	.379	.064	.188	.622	180	363	.426	.100	.171	.983	180	438	.434	.091	.104	.868
180	314	.343	.057	.176	.554	180	364	.434	.095	.182	.829	180	439	.439	.075	.198	.765
180	315	.348	.054	.175	.532	180	365	.425	.081	.208	.721	180	440	.448	.064	.229	.639
180	316	.361	.058	.178	.611	180	366	.371	.073	.139	.650	180	441	.465	.072	.196	.793
180	317	.368	.062	.157	.611	180	367	.347	.065	.121	.617	180	442	.445	.070	.198	.816
180	318	.371	.077	.084	.703	180	368	.319	.073	.042	.596	180	443	.453	.065	.261	.770
180	319	.389	.085	.119	.808	180	369	.451	.132	.116	.016	180	444	.464	.065	.281	.738
180	320	.415	.098	.127	1.109	180	370	.409	.101	.156	.969	180	445	.458	.065	.283	.772
180	321	.369	.064	.105	.722	180	371	.416	.102	.162	.981	180	446	.401	.118	.052	.833
180	322	.344	.054	.194	.555	180	372	.431	.100	.204	.991	180	447	.407	.113	.037	.726
180	323	.356	.054	.209	.541	180	373	.415	.081	.219	.918	180	448	.414	.097	.066	.724
180	324	.368	.051	.224	.556	180	374	.381	.073	.176	.764	180	449	.404	.087	.083	.800
180	325	.368	.046	.235	.542	180	375	.343	.060	.117	.593	180	450	.392	.081	.040	.689
180	326	.340	.046	.207	.555	180	401	.414	.123	.024	.018	180	451	.405	.077	.012	.679
180	327	.342	.046	.166	.541	180	402	.443	.151	.038	.233	180	452	.436	.076	.042	.774
180	328	.355	.049	.191	.566	180	403	.411	.155	.156	.139	180	453	.431	.081	.035	.720
180	329	.355	.055	.186	.566	180	404	.421	.150	.085	.087	180	454	.419	.077	.061	.748
180	330	.366	.067	.070	.600	180	405	.445	.165	.073	.234	180	455	.429	.074	.126	.721
180	331	.356	.066	.189	.610	180	406	.447	.144	.022	.216	180	456	.443	.071	.191	.722
180	332	.374	.066	.207	.617	180	407	.464	.156	.091	.192	180	457	.426	.065	.252	.012
180	333	.383	.065	.213	.645	180	408	.503	.182	.064	.503	180	458	.399	.065	.149	.743
180	334	.366	.061	.181	.645	180	409	.585	.268	.156	.211	180	459	.441	.063	.252	.777
180	335	.344	.061	.195	.552	180	410	.412	.108	.078	.278	180	460	.486	.098	.196	.967
180	336	.363	.054	.200	.556	180	411	.417	.113	.012	.992	180	461	.446	.076	.123	.882
180	337	.350	.048	.134	.546	180	412	.436	.123	.061	.022	180	462	.432	.096	.134	.976
180	338	.328	.047	.167	.498	180	413	.434	.123	.019	.026	180	463	.407	.091	.065	.733
180	339	.337	.050	.162	.500	180	414	.429	.126	.052	.101	180	464	.388	.087	.099	.755
180	340	.331	.055	.144	.553	180	415	.445	.129	.077	.034	180	465	.087	.125	.486	.687
180	341	.331	.071	.204	.653	180	416	.466	.132	.092	.055	180	466	.069	.101	.344	.498
180	342	.374	.069	.194	.650	180	417	.485	.159	.104	.376	180	467	.047	.088	.331	.359
180	343	.385	.069	.211	.700	180	418	.500	.194	.026	.481	180	468	.029	.087	.385	.290
180	344	.404	.069	.240	.699	180	419	.440	.098	.149	.847	180	469	.031	.108	.363	.441
180	345	.409	.068	.240	.694	180	420	.442	.082	.123	.854	180	470	.030	.100	.311	.460
180	346	.360	.064	.156	.666	180	421	.436	.070	.196	.724	180	471	.013	.093	.329	.320
180	347	.332	.059	.061	.555	180	422	.426	.068	.212	.842	180	472	.023	.113	.559	.269
180	348	.325	.055	.051	.554	180	423	.444	.070	.236	.814	180	473	.042	.115	.550	.283
180	349	.333	.054	.137	.533	180	424	.458	.071	.229	.918	180	474	.208	.180	.248	.502
180	350	.377	.056	.134	.553	180	425	.458	.066	.267	.750	180	475	.168	.149	.247	.828
180	351	.400	.083	.137	.551	180	426	.434	.063	.236	.675	180	476	.120	.137	.370	.606
180	352	.416	.083	.156	.771	180	427	.445	.067	.238	.863	180	477	.133	.154	.380	.680
180	353	.425	.084	.179	.795	180	428	.479	.097	.168	.897	180	478	.105	.134	.363	.715
180	354	.416	.089	.154	.780	180	429	.461	.086	.175	.868	180	479	.033	.162	.569	.686
180	355	.417	.085	.191	.804	180	430	.434	.068	.186	.658	180	480	.034	.132	.429	.495
180	356	.399	.067	.193	.664	180	431	.446	.063	.210	.660	180	481	.006	.131	.603	.528
180	357	.356	.068	.101	.664	180	432	.463	.063	.245	.677	180	482	.027	.133	.611	.529
180	358	.297	.064	.075	.551	180	433	.458	.063	.271	.661	180	483	.524	.205	.233	.375
180	359	.308	.066	.085	.550	180	434	.432	.059	.257	.609	180	484	.367	.128	.007	.860
180	360	.331	.070	.116	.699	180	435	.439	.057	.275	.672	180	485	.427	.082	.217	.907
180	361	.430	.103	.139	.993	180	436	.449	.057	.278	.663	180	486	.278	.135	.168	.060
180	362	.419	.099	.161	.993	180	437	.460	.098	.146	.878	180	487	.297	.162	.157	.971

APPENDIX A -- PRESSURE DATA: MAIN PLACE HOTEL -- CONF. B -- DALLAS , TEXAS

WD	TAP	CPMEAN	CPRMS	CPMAX	CPMIN	WD	TAP	CPMEAN	CPRMS	CPMAX	CPMIN	WD	TAP	CPMEAN	CPRMS	CPMAX	CPMIN
180	5530	313	.111	.125	-.899	180	625	-.280	.042	-.166	-.435	180	721	-.025	.144	.401	-.660
180	5531	186	.141	.297	-.752	180	626	-.300	.042	-.152	-.469	180	722	-.055	.093	.295	-.322
180	5532	166	.217	.659	-.892	180	627	-.334	.048	-.144	-.539	180	723	-.071	.121	.347	-.496
180	5533	448	.211	.145	-1.416	180	628	-.340	.054	-.151	-.598	180	724	-.008	.177	.577	-.690
180	5534	327	.123	.019	-.817	180	629	-.368	.058	-.180	-.603	180	725	-.025	.107	.385	-.390
180	5535	163	.170	.330	-.723	180	630	-.390	.066	-.186	-.640	180	726	-.079	.095	.223	-.421
180	5536	423	.072	-.192	-.875	180	631	-.387	.076	-.132	-.681	180	727	-.086	.090	.251	-.344
180	5537	472	.090	-.224	-1.078	180	632	-.299	.130	-.115	-.931	180	728	-.055	.104	.347	-.364
180	5538	253	.138	.201	-.803	180	633	-.307	.225	-.382	-1.375	180	729	-.023	.138	.436	-.514
180	5539	177	.174	.339	-.829	180	634	-.287	.043	-.136	-.445	180	730	-.046	.181	.593	-.891
180	5540	062	.269	.714	-1.022	180	635	-.292	.045	-.139	-.453	180	731	-.017	.114	.516	-.730
180	5541	418	.175	.152	-1.154	180	636	-.290	.051	-.134	-.521	180	732	-.038	.090	.247	-.555
180	5542	346	.124	.127	-.827	180	637	-.319	.053	-.159	-.531	180	733	-.003	.094	.350	-.298
180	5543	239	.140	.134	-.881	180	638	-.352	.059	-.148	-.564	180	734	-.054	.083	.228	-.369
180	5544	423	.068	-.209	-.781	180	639	-.382	.066	-.134	-.592	180	735	-.029	.076	.230	-.463
180	5545	432	.065	-.219	-.714	180	640	-.378	.104	-.052	-.763	180	736	-.008	.092	.356	-.686
180	5546	472	.082	-.194	-.863	180	641	-.270	.159	-.216	-.947	180	737	-.066	.094	.263	-.599
180	5547	494	.106	-.125	-.945	180	642	-.319	.057	-.145	-.564	180	738	-.042	.072	.233	-.279
180	5548	478	.113	-.106	-.954	180	643	-.338	.061	-.149	-.906	180	739	-.024	.095	.391	-.357
180	5549	448	.152	-.050	-1.164	180	644	-.331	.055	-.095	-.701	180	740	-.044	.128	.383	-.598
180	5550	384	.080	-.151	-.736	180	645	-.311	.051	-.127	-.601	180	741	-.066	.072	.207	-.597
180	5551	404	.088	-.090	-.778	180	646	-.296	.053	-.121	-.470	180	742	-.006	.069	.233	-.177
180	5552	364	.073	-.101	-.656	180	647	-.322	.048	-.171	-.521	180	743	-.079	.105	.432	-.364
180	5553	468	.100	-.107	-.902	180	648	-.316	.041	-.168	-.457	180	744	-.053	.083	.212	-.362
180	5554	606	.178	-.091	-1.404	180	649	-.303	.040	-.170	-.451	180	745	-.050	.074	.226	-.296
180	5555	400	.090	-.151	-.782	180	650	-.312	.042	-.140	-.477	180	746	-.047	.077	.237	-.432
180	6001	207	.203	-.644	-.685	180	651	-.285	.046	-.056	-.444	180	747	-.225	.034	.300	-.158
180	6002	422	.106	-.024	-.745	180	652	-.326	.046	-.159	-.487	180	748	-.018	.049	.157	-.111
180	6003	493	.082	-.170	-.858	180	653	-.308	.040	-.173	-.435	195	1	-.338	.228	.660	-1.177
180	6004	453	.088	-.202	-.892	180	654	-.316	.040	-.179	-.458	195	2	-.335	.221	.634	-1.145
180	6005	325	.080	-.084	-.810	180	655	-.291	.044	-.141	-.460	195	3	-.338	.211	.432	-.983
180	6006	022	.186	-.635	-.609	180	701	-.081	.094	-.263	-.399	195	4	-.338	.202	.388	-.946
180	6007	338	.106	-.022	-.731	180	702	-.040	.099	-.382	-.433	195	5	-.333	.213	.436	-.887
180	6008	465	.100	-.092	-.999	180	703	-.010	.105	-.368	-.316	195	6	-.293	.204	.389	-.950
180	6009	425	.103	-.026	-.974	180	704	-.000	.106	-.408	-.390	195	7	-.330	.211	.372	-.101
180	6110	296	.100	-.050	-.869	180	705	-.006	.112	-.415	-.630	195	8	-.293	.203	.280	-.009
180	6111	211	.114	-.180	-.736	180	706	-.111	.097	-.233	-.460	195	9	-.298	.201	.337	-.963
180	6112	382	.107	-.002	-.862	180	707	-.046	.092	-.282	-.340	195	10	-.245	.193	.321	-.891
180	6113	343	.101	-.019	-.779	180	708	-.048	.101	-.425	-.422	195	11	-.262	.192	.265	-.866
180	6114	271	.099	-.062	-.745	180	709	-.078	.108	-.277	-.473	195	12	-.264	.186	.245	-.871
180	6115	179	.141	-.709	-.436	180	710	-.038	.097	-.320	-.405	195	13	-.224	.189	.386	-.944
180	6116	282	.046	-.139	-.443	180	711	-.058	.108	-.328	-.491	195	14	-.178	.180	.371	-.797
180	6117	304	.051	-.125	-.478	180	712	-.052	.128	-.378	-.573	195	15	-.186	.184	.337	-.833
180	6118	351	.054	-.148	-.543	180	713	-.090	.099	-.300	-.715	195	16	-.220	.160	.304	-.821
180	6119	378	.065	-.134	-.628	180	715	-.157	.099	-.154	-.591	195	17	-.200	.149	.291	-.783
180	6200	376	.064	-.167	-.587	180	716	-.034	.111	-.322	-.326	195	18	-.187	.134	.261	-.694
180	6201	395	.068	-.188	-.673	180	717	-.119	.091	-.166	-.510	195	19	-.292	.110	.125	-.722
180	6202	407	.077	-.174	-.766	180	718	-.112	.118	-.269	-.606	195	20	-.322	.146	-.216	-.228
180	6203	385	.114	-.041	-.798	180	719	-.021	.113	-.419	-.368	195	21	-.373	.078	-.097	-.679
180	6204	372	.163	-.123	-1.027	180	720	-.069	.109	-.312	-.434	195	22	-.432	.194	-.285	-.066

APPENDIX A -- PRESSURE DATA: MAIN PLACE HOTEL -- CONF. B -- DALLAS , TEXAS

WD	TAP	CPMEAN	CPRMS	CPMAX	CPMIN	WD	TAP	CPMEAN	CPRMS	CPMAX	CPMIN	WD	TAP	CPMEAN	CPRMS	CPMAX	CPMIN
1955	23	385	195	492	-1.115	195	73	233	127	265	-889	195	123	2338	076	020	471
1955	24	346	192	426	-1.072	195	74	243	116	151	-641	195	124	2335	081	177	581
1955	25	356	192	501	-1.993	195	75	265	126	235	-743	195	125	224	102	298	594
1955	26	351	199	334	-1.082	195	76	235	153	727	-699	195	126	199	128	416	654
1955	27	335	205	300	-1.988	195	77	191	139	396	-675	195	127	167	127	406	648
1955	28	296	196	389	-1.978	195	78	245	136	323	-707	195	128	155	112	268	534
1955	29	314	195	332	-1.919	195	79	299	097	055	-722	195	129	176	115	332	555
1955	30	272	143	201	-1.778	195	80	468	069	241	-734	195	130	447	125	133	191
1955	31	278	176	279	-1.898	195	81	451	070	208	-704	195	131	324	049	172	516
1955	32	230	167	307	-1.804	195	82	457	072	203	-722	195	132	480	074	298	933
1955	33	240	167	224	-1.792	195	83	440	086	149	-787	195	133	491	085	286	893
1955	34	231	168	329	-1.831	195	84	461	100	123	-921	195	134	454	060	172	652
1955	35	208	151	434	-1.780	195	85	494	120	059	-986	195	135	435	068	125	658
1955	36	173	142	309	-1.735	195	86	425	085	080	-699	195	136	432	081	108	776
1955	37	221	129	247	-1.686	195	87	338	076	050	-630	195	137	510	144	091	081
1955	38	298	107	153	-1.727	195	88	288	068	025	-320	195	138	304	101	261	689
1955	39	455	151	270	-1.033	195	89	222	069	015	-494	195	139	209	093	169	503
1955	40	482	175	268	-1.295	195	90	245	074	068	-544	195	140	151	081	185	451
1955	41	410	169	332	-1.990	195	91	201	076	122	-493	195	141	112	088	342	418
1955	42	361	167	344	-1.948	195	92	209	075	086	-589	195	142	094	095	516	411
1955	43	379	171	279	-1.983	195	93	184	075	130	-648	195	143	038	101	566	284
1955	44	384	174	266	-1.946	195	94	244	077	078	-634	195	144	038	071	199	264
1955	45	358	189	302	-1.117	195	95	247	079	010	-792	195	145	044	090	345	338
1955	46	322	177	232	-1.021	195	96	252	080	020	-857	195	146	087	087	253	376
1955	47	344	172	180	-1.921	195	97	232	080	034	-648	195	147	109	077	209	396
1955	48	349	175	188	-1.983	195	98	299	092	023	-649	195	148	125	085	394	360
1955	49	297	166	335	-1.930	195	99	288	107	112	-690	195	149	135	093	435	374
1955	50	256	156	263	-1.754	195	100	213	104	303	-616	195	150	159	113	414	471
1955	51	268	141	159	-1.766	195	101	178	108	433	-585	195	151	137	135	486	548
1955	52	263	162	245	-1.901	195	102	241	113	263	-730	195	152	057	139	486	457
1955	53	212	163	480	-1.429	195	103	261	105	189	-796	195	153	051	127	532	553
1955	54	199	143	348	-1.758	195	104	420	105	163	-192	195	154	090	110	422	446
1955	55	204	119	212	-1.598	195	105	302	058	100	-663	195	155	179	103	267	478
1955	56	245	122	176	-1.659	195	106	493	064	281	-752	195	156	498	155	154	209
1955	57	285	104	083	-1.725	195	107	481	062	289	-755	195	157	317	053	135	584
1955	58	425	101	165	-1.921	195	108	428	055	165	-621	195	158	501	134	079	652
1955	59	386	082	122	-1.716	195	109	415	070	166	-675	195	159	370	093	031	844
1955	60	456	144	353	-1.993	195	110	500	100	105	-918	195	160	302	068	011	593
1955	61	407	150	233	-1.030	195	111	583	127	017	-964	195	161	309	060	039	575
1955	62	359	154	234	-1.886	195	112	372	076	044	-638	195	162	333	064	031	593
1955	63	305	145	235	-1.750	195	113	277	069	046	-531	195	163	391	094	161	950
1955	64	260	117	205	-1.722	195	114	278	071	085	-526	195	164	247	090	207	493
1955	65	202	110	194	-1.676	195	115	219	072	130	-476	195	165	192	079	209	486
1955	66	167	110	224	-1.602	195	116	180	074	172	-419	195	166	179	082	419	400
1955	67	161	116	263	-1.577	195	117	137	085	250	-372	195	167	171	090	176	441
1955	68	179	090	111	-1.454	195	118	184	084	213	-419	195	168	136	104	254	424
1955	69	166	114	259	-1.554	195	119	172	081	204	-408	195	169	073	119	372	383
1955	70	154	111	243	-1.536	195	120	167	073	135	-404	195	170	093	117	348	464
1955	71	167	120	302	-1.577	195	121	179	070	110	-445	195	171	104	111	445	476
1955	72	201	132	294	-1.708	195	122	239	069	008	-504	195	172	126	122	272	627

APPENDIX A -- PRESSURE DATA: MAIN PLACE HOTEL -- CONF. B -- DALLAS , TEXAS

WD	TAP	CPMEAN	CPRMS	CPMAX	CPMIN	WD	TAP	CPMEAN	CPRMS	CPMAX	CPMIN	WD	TAP	CPMEAN	CPRMS	CPMAX	CPMIN
1955	173	153	125	214	748	1955	307	353	053	172	604	1955	357	305	042	135	465
1955	174	174	119	206	615	1955	308	344	051	192	556	1955	358	306	047	140	492
1955	175	187	127	206	584	1955	309	339	056	157	676	1955	359	334	061	156	594
1955	176	164	146	413	685	1955	310	308	049	151	480	1955	360	440	130	203	527
1955	177	081	183	630	741	1955	311	314	050	147	499	1955	361	304	057	124	545
1955	178	002	139	527	361	1955	312	317	046	159	480	1955	362	290	052	120	527
1955	179	030	132	487	412	1955	313	320	045	173	485	1955	363	293	050	129	512
1955	180	080	110	379	393	1955	314	292	043	129	483	1955	364	301	048	119	484
1955	181	181	093	166	482	1955	315	303	042	145	481	1955	365	296	046	137	456
1955	182	512	166	088	215	1955	316	322	045	152	546	1955	366	271	043	081	415
1955	183	345	071	163	650	1955	317	330	043	155	496	1955	367	271	041	114	410
1955	184	270	112	152	910	1955	318	307	047	153	485	1955	368	292	038	174	427
1955	185	19	128	272	741	1955	319	310	048	158	494	1955	369	307	060	089	632
1955	186	136	133	449	670	1955	320	321	050	154	509	1955	370	284	054	109	474
1955	187	111	138	412	774	1955	321	319	053	144	618	1955	371	295	054	116	492
1955	188	064	144	551	678	1955	322	294	048	142	542	1955	372	301	051	115	489
1955	189	245	098	159	606	1955	323	300	044	165	490	1955	373	297	043	133	459
1955	190	193	125	214	222	1955	324	309	040	189	454	1955	374	285	042	125	444
1955	191	09	150	588	533	1955	325	322	041	177	472	1955	375	288	038	158	432
1955	192	034	156	598	475	1955	326	314	039	184	472	1955	401	236	084	117	676
1955	193	003	146	602	504	1955	327	324	042	178	514	1955	402	187	126	295	820
1955	194	333	089	026	589	1955	328	335	050	181	603	1955	403	145	149	299	785
1955	195	23	093	089	814	1955	329	340	055	179	671	1955	404	167	155	296	799
1955	196	223	093	114	618	1955	330	325	066	125	789	1955	405	227	167	295	949
1955	197	223	082	092	748	1955	331	282	047	127	499	1955	406	284	160	372	906
1955	198	273	092	129	676	1955	332	294	044	143	465	1955	407	340	166	238	088
1955	199	226	116	212	635	1955	333	301	041	131	450	1955	408	390	178	296	176
1955	200	00	140	580	431	1955	334	285	040	144	428	1955	409	447	215	701	694
1955	201	021	118	432	432	1955	335	309	044	167	487	1955	410	239	082	031	596
1955	202	074	100	330	407	1955	336	337	045	192	498	1955	411	197	119	202	686
1955	203	175	088	229	480	1955	337	345	047	191	561	1955	412	184	146	392	825
1955	204	483	138	129	075	1955	338	326	057	184	752	1955	413	208	150	311	737
1955	205	34	085	109	732	1955	339	334	070	156	180	1955	414	241	156	296	774
1955	206	294	121	015	858	1955	340	354	054	154	714	1955	415	305	157	236	802
1955	207	286	092	077	613	1955	341	294	045	102	507	1955	416	368	157	241	856
1955	208	262	087	125	643	1955	342	280	042	138	435	1955	417	419	155	253	381
1955	209	259	078	133	632	1955	343	286	042	142	441	1955	418	429	167	346	551
1955	210	240	099	219	222	1955	344	298	043	142	465	1955	419	276	097	155	674
1955	211	238	127	414	657	1955	345	313	044	135	494	1955	420	261	120	250	688
1955	212	039	126	364	375	1955	346	307	040	168	468	1955	421	281	126	316	802
1955	213	05	121	323	373	1955	347	331	041	194	481	1955	422	305	116	240	753
1955	214	125	084	234	438	1955	348	354	050	200	623	1955	423	366	103	217	745
1955	215	151	081	167	392	1955	349	352	054	204	620	1955	424	422	091	036	813
1955	216	443	152	114	165	1955	350	332	057	138	728	1955	425	452	082	135	798
1955	301	338	055	151	645	1955	351	289	049	111	463	1955	426	441	073	159	777
1955	302	332	053	127	582	1955	352	299	045	139	462	1955	427	456	071	219	748
1955	303	333	055	121	595	1955	353	304	044	164	465	1955	428	291	086	036	594
1955	304	329	052	109	620	1955	354	287	042	131	446	1955	429	272	102	159	641
1955	305	326	056	076	652	1955	355	290	040	142	414	1955	430	268	106	228	668
1955	306	325	051	171	619	1955	356	299	037	156	451	1955	431	316	104	167	714

APPENDIX A -- PRESSURE DATA:

MAIN PLACE HOTEL -- CONF. B -- DALLAS, TEXAS

WD	TAP	CPMEAN	CPRMS	CPMAX	CPMIN	WD	TAP	CPMEAN	CPRMS	CPMAX	CPMIN	WD	TAP	CPMEAN	CPRMS	CPMAX	CPMIN
1955	432	372	096	168	723	1955	524	178	101	223	495	1955	619	331	051	102	537
1955	433	413	081	106	723	1955	525	178	160	240	018	1955	620	331	053	111	523
1955	434	410	068	149	673	1955	526	257	127	203	701	1955	621	347	058	090	560
1955	435	430	061	217	657	1955	527	378	066	203	723	1955	622	347	068	137	594
1955	436	444	058	286	693	1955	528	224	117	146	752	1955	623	310	100	140	47
1955	437	267	081	077	583	1955	529	271	128	163	887	1955	624	331	210	388	362
1955	438	212	100	298	539	1955	530	301	082	075	679	1955	625	330	040	153	473
1955	439	232	114	298	541	1955	531	211	114	147	669	1955	626	303	041	129	462
1955	440	275	118	286	647	1955	532	236	186	359	910	1955	627	306	046	106	529
1955	441	336	110	198	639	1955	533	253	155	273	831	1955	628	305	049	137	482
1955	442	366	094	127	637	1955	534	213	123	201	679	1955	629	340	055	165	536
1955	443	419	079	055	688	1955	535	133	163	492	643	1955	630	337	062	173	536
1955	444	444	068	226	712	1955	536	390	062	182	793	1955	631	384	071	131	735
1955	445	440	061	236	699	1955	537	431	087	196	908	1955	632	316	114	166	818
1955	446	181	072	123	399	1955	538	284	111	058	819	1955	633	328	249	478	208
1955	447	146	094	248	429	1955	539	214	130	255	733	1955	634	331	049	120	488
1955	448	143	114	327	573	1955	540	222	198	446	803	1955	635	329	051	089	488
1955	449	146	116	294	607	1955	541	246	150	218	100	1955	636	365	051	028	440
1955	450	141	119	385	543	1955	542	222	126	244	624	1955	637	388	052	087	451
1955	451	167	122	362	583	1955	543	172	138	258	888	1955	638	316	056	096	506
1955	452	204	123	272	587	1955	544	359	061	197	933	1955	639	346	061	070	533
1955	453	233	123	313	631	1955	545	394	059	206	692	1955	640	336	084	064	446
1955	454	246	121	298	620	1955	546	435	080	215	962	1955	641	337	159	218	876
1955	455	283	116	267	636	1955	547	391	081	156	721	1955	642	318	040	184	332
1955	456	325	106	200	705	1955	548	342	088	090	827	1955	643	342	043	193	539
1955	457	344	088	005	735	1955	549	326	118	017	532	1955	644	365	047	221	540
1955	458	344	076	043	656	1955	550	332	072	135	648	1955	645	365	051	212	658
1955	501	339	099	029	967	1955	551	400	092	092	828	1955	646	368	049	228	597
1955	502	362	124	017	018	1955	552	345	055	163	582	1955	647	304	037	182	436
1955	503	244	109	092	735	1955	553	428	081	151	600	1955	648	324	040	194	455
1955	504	312	082	029	714	1955	554	520	142	106	111	1955	649	361	048	167	602
1955	505	187	090	076	641	1955	555	332	071	130	747	1955	650	379	043	259	543
1955	506	270	073	058	664	1955	601	109	198	762	604	1955	651	352	040	232	547
1955	507	258	145	229	737	1955	602	218	163	266	776	1955	652	391	040	138	428
1955	508	209	111	166	616	1955	603	426	100	145	887	1955	653	389	042	111	410
1955	509	175	090	160	457	1955	604	456	083	236	851	1955	654	357	048	099	570
1955	510	150	083	168	404	1955	605	435	091	187	830	1955	655	397	053	222	740
1955	511	180	119	547	595	1955	606	108	154	714	482	1955	701	267	108	123	538
1955	512	169	106	334	577	1955	607	165	126	271	597	1955	702	215	120	270	602
1955	513	140	088	355	407	1955	608	345	083	142	695	1955	703	123	135	439	473
1955	514	111	115	690	476	1955	609	398	071	197	660	1955	704	058	139	458	540
1955	515	091	110	395	407	1955	610	344	071	072	889	1955	705	050	145	464	748
1955	516	276	146	111	529	1955	611	114	092	285	476	1955	706	310	115	177	787
1955	517	256	124	086	212	1955	612	273	079	073	650	1955	707	217	122	225	662
1955	518	221	119	168	570	1955	613	331	072	131	704	1955	708	151	151	220	788
1955	519	233	125	234	610	1955	614	293	075	017	561	1955	709	298	142	170	820
1955	520	195	107	159	628	1955	615	111	127	645	186	1955	710	211	137	270	664
1955	521	139	129	360	681	1955	616	287	037	147	437	1955	711	183	164	309	865
1955	522	145	109	269	642	1955	617	282	042	078	514	1955	712	198	191	356	58
1955	523	151	098	229	468	1955	618	291	043	108	486	1955	713	273	110	109	728

APPENDIX A -- PRESSURE DATA: MAIN PLACE HOTEL -- CONF. B -- DALLAS , TEXAS

WD	TAP	CPMEAN	CPRMS	CPMAX	CPMIN	WD	TAP	CPMEAN	CPRMS	CPMAX	CPMIN	WD	TAP	CPMEAN	CPRMS	CPMAX	CPMIN
1955	715	382	119	077	847	210	17	350	081	029	702	210	67	333	095	122	537
1955	716	253	136	293	706	210	18	344	076	068	671	210	68	333	067	012	563
1955	717	354	122	085	835	210	19	384	066	141	647	210	69	302	091	089	603
1955	718	335	153	317	-1 026	210	20	466	069	247	869	210	70	302	085	068	582
1955	719	238	144	257	737	210	21	452	070	245	757	210	71	324	090	058	575
1955	720	265	169	227	969	210	22	150	266	181	533	210	72	324	099	020	575
1955	721	190	209	406	-1 230	210	23	756	264	029	532	210	73	333	099	149	819
1955	722	259	131	192	809	210	24	418	166	039	437	210	74	272	110	184	657
1955	723	291	167	203	-1 181	210	25	367	104	002	054	210	75	248	141	475	930
1955	724	101	240	552	-1 189	210	26	290	083	069	810	210	76	231	141	330	727
1955	725	238	124	203	661	210	27	300	085	079	867	210	77	287	095	033	887
1955	726	312	122	056	979	210	28	333	084	087	855	210	78	333	078	023	754
1955	727	326	123	059	836	210	29	311	083	053	724	210	79	373	062	153	717
1955	728	275	150	220	803	210	30	278	059	038	574	210	80	642	210	-1 547	
1955	729	215	197	495	-1 067	210	31	311	083	029	690	210	81	422	105	159	071
1955	730	174	249	590	-1 593	210	32	293	080	005	557	210	82	507	147	-1 189	
1955	731	052	130	446	649	210	33	292	080	019	666	210	83	416	101	-1 219	
1955	732	108	123	282	836	210	34	299	078	037	651	210	84	379	081	053	052
1955	733	020	125	399	429	210	35	355	083	072	745	210	85	338	081	022	812
1955	734	117	113	223	603	210	36	335	077	046	700	210	86	347	073	050	789
1955	735	082	104	247	664	210	37	355	070	122	645	210	87	325	063	087	529
1955	736	028	140	426	455	210	38	466	063	196	666	210	88	316	063	088	544
1955	737	150	153	320	773	210	39	080	360	787	500	210	89	298	069	077	700
1955	738	114	115	210	707	210	40	416	134	081	858	210	90	342	071	099	630
1955	739	015	142	395	417	210	41	019	228	163	752	210	91	302	063	059	510
1955	740	135	188	581	906	210	42	765	263	048	657	210	92	295	057	044	514
1955	741	117	120	259	631	210	43	488	192	041	213	210	93	274	059	007	499
1955	742	073	116	326	444	210	44	388	116	044	900	210	94	333	063	032	605
1955	743	152	163	504	824	210	45	266	089	070	788	210	95	327	067	012	621
1955	744	130	140	361	814	210	46	298	088	020	800	210	96	317	072	000	623
1955	745	130	121	257	543	210	47	310	080	038	712	210	97	276	080	224	601
1955	746	105	119	311	527	210	48	333	086	071	759	210	98	309	080	264	575
1955	747	321	033	395	237	210	49	307	087	046	016	210	99	286	088	106	559
1955	748	028	064	161	212	210	50	307	085	039	923	210	100	318	065	-	547
210	1	289	227	872	-1 521	210	51	311	073	079	788	210	101	282	067	077	577
210	2	200	138	367	857	210	52	311	086	046	820	210	102	348	069	159	577
210	3	186	305	187	222	210	53	255	089	101	791	210	103	366	065	-	621
210	4	651	215	056	-1 380	210	54	344	084	058	713	210	104	476	096	189	919
210	5	410	124	014	930	210	55	340	064	024	616	210	105	400	085	179	820
210	6	373	103	027	860	210	56	378	072	086	688	210	106	516	124	251	266
210	7	280	095	065	764	210	57	379	065	036	730	210	107	442	077	335	814
210	8	350	095	002	766	210	58	433	067	249	879	210	108	389	063	162	659
210	9	338	099	060	709	210	59	477	074	268	856	210	109	348	058	060	596
210	10	327	096	058	691	210	60	94	214	262	664	210	110	389	062	-	649
210	11	335	095	053	673	210	61	566	233	130	487	210	111	378	077	126	712
210	12	356	093	012	678	210	62	400	133	087	000	210	112	336	055	150	551
210	13	327	090	038	661	210	63	333	086	012	726	210	113	300	050	109	472
210	14	304	088	031	628	210	64	353	085	044	666	210	114	342	050	038	518
210	15	284	085	034	621	210	65	322	095	079	639	210	115	311	050	182	522
210	16	385	079	130	705	210	66	322	095	080	691	210	116	281	049	051	461

APPENDIX A -- PRESSURE DATA:

MAIN PLACE HOTEL -- CONF. B -- DALLAS , TEXAS

WD	TAP	CPMEAN	CPRMS	CPMAX	CPMIN	WD	TAP	CPMEAN	CPRMS	CPMAX	CPMIN	WD	TAP	CPMEAN	CPRMS	CPMAX	CPMIN
210	117	240	.053	.022	.422	210	167	.298	.048	.132	.478	210	301	.356	.050	.223	.551
210	118	295	.053	.032	.513	210	168	.287	.052	.075	.491	210	302	.333	.054	.209	.634
210	119	280	.050	.042	.505	210	169	.240	.058	.077	.490	210	303	.333	.056	.190	.688
210	120	277	.049	.038	.583	210	170	.275	.057	.002	.492	210	304	.333	.052	.193	.591
210	121	274	.050	.030	.432	210	171	.280	.052	.038	.472	210	305	.333	.050	.204	.586
210	122	327	.049	.152	.500	210	172	.289	.057	.055	.597	210	306	.333	.042	.231	.521
210	123	312	.054	.134	.524	210	173	.298	.064	.075	.639	210	307	.333	.044	.168	.510
210	124	306	.055	.066	.576	210	174	.307	.065	.122	.663	210	308	.333	.042	.195	.500
210	125	294	.071	.060	.606	210	175	.321	.066	.058	.628	210	309	.333	.043	.186	.497
210	126	306	.078	.062	.612	210	176	.323	.072	.011	.597	210	310	.333	.043	.191	.481
210	127	283	.074	.077	.532	210	177	.323	.091	.215	.779	210	311	.333	.047	.183	.493
210	128	283	.065	.007	.505	210	178	.251	.092	.182	.492	210	312	.333	.045	.188	.497
210	129	293	.068	.045	.532	210	179	.232	.103	.358	.512	210	313	.333	.045	.190	.510
210	130	431	.083	.097	.863	210	180	.225	.096	.309	.470	210	314	.333	.042	.175	.490
210	131	369	.053	.205	.695	210	181	.232	.081	.162	.479	210	315	.333	.039	.193	.478
210	132	378	.049	.233	.696	210	182	.309	.076	.085	.794	210	316	.333	.039	.207	.473
210	133	390	.054	.223	.646	210	183	.270	.047	.132	.481	210	317	.333	.038	.228	.668
210	134	401	.045	.235	.612	210	184	.383	.059	.209	.791	210	318	.333	.037	.161	.441
210	135	391	.047	.225	.586	210	185	.380	.064	.106	.878	210	319	.333	.037	.164	.438
210	136	389	.051	.238	.566	210	186	.351	.068	.004	.701	210	320	.333	.037	.167	.447
210	137	419	.065	.209	.666	210	187	.337	.075	.098	.758	210	321	.333	.081	.216	.790
210	138	375	.050	.007	.540	210	188	.301	.081	.050	.586	210	322	.333	.059	.205	.663
210	139	330	.050	.072	.492	210	189	.370	.058	.120	.625	210	323	.333	.050	.214	.592
210	140	293	.047	.047	.461	210	190	.370	.061	.060	.607	210	324	.333	.044	.217	.511
210	141	266	.053	.043	.425	210	191	.341	.076	.179	.646	210	325	.333	.041	.225	.491
210	142	266	.059	.042	.448	210	192	.307	.095	.164	.647	210	326	.333	.040	.180	.532
210	143	228	.068	.064	.396	210	193	.283	.098	.324	.572	210	327	.333	.039	.202	.523
210	144	223	.053	.012	.377	210	194	.361	.053	.198	.594	210	328	.333	.039	.231	.516
210	145	211	.061	.065	.378	210	195	.405	.071	.210	.763	210	329	.333	.039	.211	.510
210	146	268	.055	.040	.435	210	196	.359	.056	.161	.616	210	330	.333	.040	.175	.455
210	147	271	.048	.074	.418	210	197	.368	.055	.175	.627	210	331	.333	.067	.145	.814
210	148	279	.047	.100	.431	210	198	.373	.058	.189	.617	210	332	.333	.054	.181	.610
210	149	272	.052	.055	.420	210	199	.376	.065	.190	.686	210	333	.333	.048	.171	.524
210	150	315	.061	.020	.498	210	200	.228	.113	.325	.520	210	334	.333	.047	.093	.546
210	151	305	.082	.032	.596	210	201	.197	.122	.285	.556	210	335	.333	.046	.178	.597
210	152	239	.081	.164	.477	210	202	.209	.116	.225	.543	210	336	.333	.046	.214	.567
210	153	218	.081	.193	.426	210	203	.218	.102	.148	.590	210	337	.333	.046	.223	.638
210	154	219	.077	.140	.452	210	204	.289	.083	.068	.945	210	338	.333	.046	.222	.577
210	155	240	.070	.161	.481	210	205	.235	.066	.031	.568	210	339	.333	.046	.217	.557
210	156	344	.086	.141	.875	210	206	.541	.098	.240	.923	210	340	.333	.090	.210	.085
210	157	290	.045	.138	.466	210	207	.401	.060	.219	.684	210	341	.333	.042	.140	.553
210	158	423	.083	.220	.926	210	208	.388	.065	.164	.682	210	342	.333	.041	.072	.397
210	159	402	.072	.174	.724	210	209	.377	.065	.155	.657	210	343	.333	.042	.069	.407
210	160	362	.052	.207	.600	210	210	.367	.066	.136	.634	210	344	.333	.042	.014	.428
210	161	355	.049	.202	.546	210	211	.374	.069	.179	.709	210	345	.333	.041	.161	.470
210	162	364	.052	.207	.592	210	212	.244	.096	.220	.523	210	346	.333	.045	.219	.530
210	163	390	.059	.168	.749	210	213	.250	.100	.266	.577	210	347	.333	.064	.231	.702
210	164	352	.046	.198	.527	210	214	.240	.090	.291	.581	210	348	.333	.091	.292	.001
210	165	317	.042	.173	.466	210	215	.246	.092	.092	.762	210	349	.333	.089	.297	.030
210	166	305	.045	.143	.469	210	216	.267	.073	.095	.752	210	350	.333	.082	.222	.004

APPENDIX A -- PRESSURE DATA: MAIN PLACE HOTEL -- CONF. B -- DALLAS, TEXAS

WD	TAP	CPMEAN	CPRMS	CPMAX	CPMIN	WD	TAP	CPMEAN	CPRMS	CPMAX	CPMIN	WD	TAP	CPMEAN	CPRMS	CPMAX	CPMIN
210	351	.233	.043	.076	.424	210	426	.057	.131	.549	.527	210	518	.327	.096	.056	.722
210	352	.252	.040	.080	.393	210	427	.223	.122	.355	.614	210	519	.351	.082	.012	.714
210	353	.266	.041	.079	.406	210	428	.171	.054	.039	.398	210	520	.328	.085	.212	.707
210	354	.246	.041	.126	.392	210	429	.015	.082	.394	.247	210	521	.322	.102	.000	.769
210	355	.263	.042	.112	.400	210	430	.180	.111	.619	.207	210	522	.322	.084	.039	.617
210	356	.281	.043	.122	.414	210	431	.263	.138	.810	.203	210	523	.325	.075	.079	.583
210	357	.288	.054	.123	.465	210	432	.250	.155	.884	.251	210	524	.325	.074	.083	.555
210	358	.378	.081	.098	.740	210	433	.134	.170	.707	.401	210	525	.441	.243	.096	.433
210	359	.421	.103	.052	.842	210	434	.006	.161	.610	.517	210	526	.441	.101	.112	.868
210	360	.625	.179	.214	.556	210	435	.151	.139	.433	.590	210	527	.335	.064	.129	.635
210	361	.210	.050	.038	.401	210	436	.285	.113	.237	.596	210	528	.033	.064	.173	.254
210	362	.195	.043	.033	.341	210	437	.224	.022	.068	.516	210	529	.333	.038	.091	.882
210	363	.201	.043	.000	.328	210	438	.057	.087	.346	.366	210	530	.333	.044	.152	.820
210	364	.210	.045	.009	.358	210	439	.057	.110	.491	.295	210	531	.211	.035	.102	.352
210	365	.213	.046	.009	.365	210	440	.113	.134	.649	.388	210	532	.066	.074	.151	.490
210	366	.199	.046	.044	.367	210	441	.103	.159	.641	.543	210	533	.102	.188	.513	.352
210	367	.191	.042	.024	.371	210	442	.039	.165	.600	.515	210	534	.088	.150	.175	.833
210	368	.300	.054	.121	.497	210	443	.082	.145	.570	.527	210	535	.228	.119	.191	.655
210	369	.218	.048	.057	.384	210	444	.182	.124	.398	.522	210	536	.333	.055	.191	.555
210	370	.200	.046	.054	.371	210	445	.248	.102	.269	.543	210	537	.333	.081	.126	.730
210	371	.214	.045	.057	.400	210	446	.102	.064	.202	.337	210	538	.333	.044	.162	.482
210	372	.233	.042	.035	.398	210	447	.008	.081	.334	.317	210	539	.333	.040	.092	.444
210	373	.238	.039	.044	.396	210	448	.051	.099	.427	.264	210	540	.191	.098	.013	.698
210	374	.229	.039	.093	.376	210	449	.077	.115	.650	.291	210	541	.191	.217	.649	.845
210	375	.233	.036	.109	.359	210	450	.101	.119	.814	.239	210	542	.299	.184	.317	.863
210	401	.106	.055	.094	.294	210	451	.091	.125	.003	.268	210	543	.333	.126	.362	.759
210	402	.054	.079	.330	.214	210	452	.067	.123	.676	.288	210	544	.333	.054	.161	.545
210	403	.108	.075	.320	.133	210	453	.040	.113	.499	.328	210	545	.333	.058	.196	.611
210	404	.165	.081	.419	.126	210	454	.021	.113	.539	.307	210	546	.333	.072	.099	.685
210	405	.215	.095	.518	.111	210	455	.032	.113	.488	.375	210	547	.228	.042	.139	.444
210	406	.239	.097	.522	.076	210	456	.086	.107	.381	.439	210	548	.225	.038	.143	.409
210	407	.336	.107	.701	.056	210	457	.139	.099	.516	.443	210	549	.288	.082	.086	.642
210	408	.381	.116	.703	.081	210	458	.156	.083	.254	.415	210	550	.333	.053	.190	.546
210	409	.491	.168	.951	.186	210	501	.149	.129	.406	.602	210	551	.421	.067	.223	.712
210	410	.128	.046	.054	.285	210	502	.210	.103	.256	.613	210	552	.374	.057	.188	.610
210	411	.029	.069	.300	.210	210	503	.006	.129	.423	.606	210	553	.471	.085	.219	.845
210	412	.156	.087	.486	.129	210	504	.152	.085	.241	.871	210	554	.569	.166	.221	.314
210	413	.253	.106	.555	.086	210	505	.020	.103	.452	.464	210	555	.455	.116	.161	.997
210	414	.325	.117	.712	.068	210	506	.166	.079	.156	.505	210	601	.185	.161	.897	.264
210	415	.361	.125	.778	.046	210	507	.337	.082	.098	.800	210	602	.022	.104	.367	.440
210	416	.379	.128	.764	.046	210	508	.302	.065	.059	.544	210	603	.267	.073	.015	.546
210	417	.398	.138	.873	.154	210	509	.298	.055	.070	.495	210	604	.336	.095	.112	.881
210	418	.498	.183	.000	.249	210	510	.295	.050	.034	.447	210	605	.393	.097	.151	.839
210	419	.151	.047	.073	.300	210	511	.315	.068	.120	.594	210	606	.108	.132	.629	.242
210	420	.016	.070	.271	.203	210	512	.289	.064	.063	.583	210	607	.020	.092	.348	.343
210	421	.184	.100	.570	.120	210	513	.278	.052	.027	.445	210	608	.202	.056	.007	.431
210	422	.285	.117	.661	.059	210	514	.279	.060	.012	.476	210	609	.288	.055	.098	.543
210	423	.301	.135	.817	.118	210	515	.262	.064	.098	.484	210	610	.337	.052	.176	.566
210	424	.229	.155	.774	.271	210	516	.287	.132	.051	.253	210	611	.337	.088	.332	.241
210	425	.103	.143	.658	.369	210	517	.338	.111	.024	.877	210	612	.141	.051	.040	.347

APPENDIX A -- PRESSURE DATA:

MAIN PLACE HOTEL -- CONF. B -- DALLAS , TEXAS

WD	TAP	CPMEAN	CPRMS	CPMAX	CPMIN	WD	TAP	CPMEAN	CPRMS	CPMAX	CPMIN	WD	TAP	CPMEAN	CPRMS	CPMAX	CPMIN
210	613	.239	.048	.080	.472	210	708	.357	.104	.058	-.984	225	11	.449	.191	.031	-1.253
210	614	.293	.046	.121	.493	210	709	.408	.106	.083	-.956	225	12	.476	.191	.019	-1.278
210	615	.062	.080	.355	.188	210	710	.361	.082	.066	-.728	225	13	.448	.201	.119	-1.224
210	616	.222	.040	.112	.434	210	711	.381	.112	.058	-.966	225	14	.420	.191	.168	-1.254
210	617	.194	.042	.070	.435	210	712	.386	.112	.002	-.977	225	15	.425	.186	.153	-1.296
210	618	.179	.041	.058	.405	210	713	.393	.063	.195	-.658	225	16	.470	.183	.050	-1.149
210	619	.180	.044	.041	.477	210	715	.395	.078	.146	-.736	225	17	.429	.179	.049	-1.540
210	620	.165	.041	.030	.339	210	716	.373	.064	.083	-.624	225	18	.409	.170	.042	-1.258
210	621	.183	.043	.038	.347	210	717	.373	.081	.024	-.770	225	19	.430	.161	.000	-1.380
210	622	.200	.050	.020	.375	210	718	.356	.090	.068	-.835	225	20	.494	.156	.129	-1.309
210	623	.184	.071	.053	.436	210	719	.381	.065	.140	-.685	225	21	.418	.149	.047	-1.175
210	624	.238	.165	.164	.994	210	720	.327	.102	.094	-.827	225	22	.538	.121	.161	-1.089
210	625	.257	.043	.105	.465	210	721	.310	.103	.228	-.033	225	23	.503	.114	.140	-1.213
210	626	.220	.039	.098	.398	210	722	.358	.067	.145	-.691	225	24	.487	.124	.079	-1.291
210	627	.193	.038	.061	.340	210	723	.330	.109	.250	-.740	225	25	.500	.138	.019	-1.446
210	628	.178	.035	.030	.298	210	724	.278	.128	.323	-.133	225	26	.512	.161	.019	-1.400
210	629	.195	.040	.045	.349	210	725	.355	.063	.024	-.654	225	27	.473	.180	.059	-1.355
210	630	.221	.044	.070	.380	210	726	.370	.080	.096	-.996	225	28	.463	.186	.072	-1.417
210	631	.229	.051	.041	.408	210	727	.376	.079	.135	-.745	225	29	.485	.195	.024	-1.413
210	632	.205	.087	.136	.620	210	728	.334	.091	.033	-.696	225	30	.404	.129	.011	-1.910
210	633	.330	.173	.193	.856	210	729	.293	.102	.099	-.711	225	31	.473	.219	.096	-1.456
210	634	.237	.050	.075	.455	210	730	.291	.133	.215	-.042	225	32	.446	.211	.161	-1.389
210	635	.202	.044	.033	.355	210	731	.258	.088	.167	-.574	225	33	.465	.208	.071	-1.392
210	636	.161	.037	.022	.290	210	732	.316	.097	.022	-.663	225	34	.462	.199	.079	-1.456
210	637	.171	.039	.023	.299	210	733	.247	.100	.192	-.479	225	35	.434	.191	.080	-1.135
210	638	.190	.042	.040	.312	210	734	.288	.092	.046	-.700	225	36	.388	.181	.096	-1.286
210	639	.205	.046	.033	.360	210	735	.284	.098	.118	-.634	225	37	.413	.171	.052	-1.077
210	640	.193	.039	.027	.394	210	736	.240	.111	.273	-.501	225	38	.443	.166	.038	-1.233
210	641	.185	.143	.244	.630	210	737	.345	.093	.066	-.687	225	39	.774	.243	.294	-1.660
210	642	.302	.059	.050	.549	210	738	.300	.090	.035	-.573	225	40	.379	.163	.049	-1.107
210	643	.304	.060	.101	.581	210	739	.232	.110	.270	-.592	225	41	.501	.123	.157	-1.458
210	644	.360	.073	.145	.684	210	740	.342	.114	.187	-.832	225	42	.465	.115	.084	-1.529
210	645	.389	.075	.180	.960	210	741	.300	.095	.042	-.669	225	43	.499	.122	.094	-1.286
210	646	.390	.075	.180	.798	210	742	.264	.089	.145	-.524	225	44	.534	.135	.060	-1.352
210	647	.374	.043	.132	.468	210	743	.323	.105	.183	-.070	225	45	.517	.158	.061	-1.278
210	648	.294	.056	.147	.507	210	744	.304	.094	.134	-.688	225	46	.454	.131	.050	-1.079
210	649	.320	.071	.110	.603	210	745	.308	.099	.120	-.829	225	47	.537	.170	.000	-1.321
210	650	.379	.081	.188	.707	210	746	.297	.112	.114	-.729	225	48	.553	.191	.038	-1.540
210	651	.369	.063	.207	.660	210	747	.060	.050	.158	-.042	225	49	.504	.203	.068	-1.405
210	652	.221	.040	.077	.371	210	748	.236	.043	.083	-.333	225	50	.471	.202	.058	-1.412
210	653	.200	.050	.050	.386	225	1	.741	.277	.220	-.730	225	51	.494	.171	.019	-1.260
210	654	.276	.062	.073	.541	225	2	.212	.089	.026	-.759	225	52	.500	.210	.002	-1.470
210	655	.371	.074	.167	.024	225	3	.454	.103	.141	-.103	225	53	.451	.200	.115	-1.433
210	701	.384	.060	.208	.737	225	4	.474	.110	.168	-.218	225	54	.406	.191	.128	-1.258
210	702	.373	.061	.195	.680	225	5	.495	.139	.070	-.220	225	55	.408	.146	.035	-1.042
210	703	.347	.067	.013	.567	225	6	.454	.149	.014	-.179	225	56	.429	.186	.118	-1.386
210	704	.307	.083	.096	.531	225	7	.456	.161	.007	-.197	225	57	.395	.169	.033	-1.400
210	705	.314	.111	.114	.893	225	8	.467	.172	.034	-.252	225	58	.414	.152	.068	-1.060
210	706	.382	.089	.186	.980	225	9	.432	.183	.075	-.376	225	59	.412	.136	.066	-1.129
210	707	.377	.078	.093	.751	225	10	.418	.186	.096	-.212	225	60	.492	.118	.151	-1.062

APPENDIX A -- PRESSURE DATA: MAIN PLACE HOTEL -- CONF. B -- DALLAS, TEXAS

WD	TAP	CPMEAN	CPRMS	CPMAX	CPMIN	WD	TAP	CPMEAN	CPRMS	CPMAX	CPMIN	WD	TAP	CPMEAN	CPRMS	CPMAX	CPMIN
2225	61	455	.128	.143	-1.156	2225	111	.468	.080	-.180	-.865	2225	161	.339	.069	-.216	-.798
2225	62	458	.130	.117	-1.095	2225	112	.399	.060	-.172	-.635	2225	162	.412	.068	-.230	-.691
2225	63	440	.116	.052	-.978	2225	113	.379	.058	-.151	-.613	2225	163	432	.076	-.224	-.881
2225	64	402	.100	.026	-.878	2225	114	.384	.056	-.186	-.604	2225	164	.333	.058	-.189	-.631
2225	65	335	.091	.059	-.716	2225	115	.346	.052	-.143	-.553	2225	165	.333	.051	-.196	-.647
2225	66	301	.084	.033	-.663	2225	116	.311	.047	-.153	-.444	2225	166	.333	.050	-.183	-.556
2225	67	326	.088	.024	-.675	2225	117	.310	.048	-.102	-.456	2225	167	.333	.047	-.166	-.628
2225	68	351	.067	-.120	-.614	2225	118	.341	.048	-.154	-.444	2225	168	.333	.045	-.151	-.494
2225	69	324	.085	.014	-.686	2225	119	.327	.047	-.158	-.463	2225	169	.333	.050	-.123	-.489
2225	70	302	.082	.019	-.654	2225	120	.308	.046	-.124	-.485	2225	170	.333	.046	-.163	-.533
2225	71	335	.086	.042	-.727	2225	121	.331	.048	-.134	-.466	2225	171	.333	.042	-.182	-.538
2225	72	358	.093	.062	-.835	2225	122	.370	.048	-.186	-.533	2225	172	.333	.045	-.158	-.555
2225	73	341	.106	.000	-1.004	2225	123	.367	.052	-.187	-.553	2225	173	.333	.049	-.189	-.634
2225	74	331	.118	.079	-1.072	2225	124	.364	.059	-.199	-.616	2225	174	.333	.052	-.196	-.624
2225	75	390	.156	.179	-1.404	2225	125	.401	.077	-.176	-.728	2225	175	.333	.059	-.208	-.648
2225	76	435	.183	.194	-1.499	2225	126	.375	.070	-.102	-.666	2225	176	.333	.064	-.131	-.433
2225	77	354	.157	.151	-1.094	2225	127	.341	.066	-.118	-.633	2225	177	.333	.083	-.062	-.222
2225	78	364	.164	.131	-1.025	2225	128	.308	.064	-.051	-.643	2225	178	.333	.060	-.109	-.444
2225	79	347	.143	.017	-.939	2225	129	.310	.067	-.064	-.666	2225	179	.333	.059	-.074	-.556
2225	80	435	.139	.162	-1.409	2225	130	.335	.057	-.129	-.600	2225	180	.333	.057	-.007	-.644
2225	81	450	.116	.141	-1.062	2225	131	.318	.055	-.111	-.555	2225	181	.333	.064	-.033	-.407
2225	82	415	.092	.141	-1.100	2225	132	.470	.102	-.250	-.233	2225	182	.333	.059	-.036	-.444
2225	83	402	.089	.111	-1.097	2225	133	.484	.113	-.193	-.700	2225	183	.333	.071	-.063	-.666
2225	84	392	.078	.116	-.739	2225	134	.464	.076	-.238	-.919	2225	184	.408	.074	-.210	-.703
2225	85	430	.096	.139	-.908	2225	135	.457	.069	-.229	-.921	2225	185	.406	.070	-.209	-.703
2225	86	415	.072	.171	-.731	2225	136	.441	.065	-.240	-.655	2225	186	.333	.065	-.185	-.640
2225	87	379	.062	.163	-.619	2225	137	.450	.078	-.228	-.666	2225	187	.333	.064	-.117	-.666
2225	88	334	.061	.099	-.618	2225	138	.431	.056	-.238	-.624	2225	188	.333	.059	-.108	-.633
2225	89	331	.061	.109	-.643	2225	139	.385	.053	-.175	-.884	2225	189	.413	.071	-.227	-.899
2225	90	344	.061	.114	-.666	2225	140	.346	.052	-.124	-.555	2225	190	.405	.066	-.223	-.720
2225	91	325	.060	.091	-.665	2225	141	.320	.052	-.112	-.404	2225	191	.333	.069	-.072	-.555
2225	92	308	.052	.114	-.538	2225	142	.326	.052	-.144	-.498	2225	192	.333	.070	-.065	-.638
2225	93	318	.053	.119	-.553	2225	143	.295	.056	-.039	-.473	2225	193	.333	.063	-.105	-.655
2225	94	347	.055	.161	-.570	2225	144	.287	.051	-.082	-.444	2225	194	.333	.071	-.181	-.666
2225	95	339	.054	.175	-.572	2225	145	.285	.051	-.082	-.461	2225	195	.452	.090	-.190	-.888
2225	96	329	.056	.128	-.570	2225	146	.333	.047	-.171	-.488	2225	196	.404	.067	-.196	-.822
2225	97	349	.059	.139	-.603	2225	147	.335	.045	-.177	-.513	2225	197	.422	.068	-.191	-.696
2225	98	388	.068	.106	-.688	2225	148	.324	.046	-.162	-.475	2225	198	.437	.071	-.183	-.783
2225	99	394	.084	.106	-.917	2225	149	.326	.049	-.169	-.504	2225	199	.454	.080	-.222	-.841
2225	100	356	.071	.143	-.609	2225	150	.377	.058	-.171	-.607	2225	200	.458	.046	-.077	-.458
2225	101	359	.078	.129	-.707	2225	151	.398	.082	-.096	-.700	2225	201	.458	.055	-.060	-.444
2225	102	378	.079	.131	-.686	2225	152	.251	.058	-.016	-.448	2225	202	.458	.059	-.040	-.444
2225	103	360	.078	.094	-.710	2225	153	.234	.053	-.027	-.445	2225	203	.458	.074	-.018	-.693
2225	104	338	.075	-.068	-.723	2225	154	.220	.051	-.025	-.422	2225	204	.454	.078	-.027	-.555
2225	105	347	.065	.099	-.695	2225	155	.224	.051	-.009	-.397	2225	205	.422	.099	-.082	-.783
2225	106	464	.099	.211	-.374	2225	156	.215	.047	-.047	-.444	2225	206	.489	.091	-.218	-.010
2225	107	458	.096	.185	-.121	2225	157	.226	.053	-.060	-.499	2225	207	.422	.064	-.249	-.661
2225	108	400	.067	.196	-.795	2225	158	.534	.161	-.212	-.555	2225	208	.425	.072	-.225	-.719
2225	109	417	.068	-.208	-.687	2225	159	.457	.089	-.213	-.890	2225	209	.415	.071	-.238	-.767
2225	110	459	.071	-.223	-.758	2225	160	.384	.072	-.167	-.800	2225	210	.406	.066	-.212	-.671

APPENDIX A -- PRESSURE DATA: MAIN PLACE HOTEL -- CONF. B -- DALLAS , TEXAS

WD	TAP	CPMEAN	CPRMS	CPMAX	CPMIN	WD	TAP	CPMEAN	CPRMS	CPMAX	CPMIN	WD	TAP	CPMEAN	CPRMS	CPMAX	CPMIN
2225	211	.436	.086	.215	-.996	2225	345	-.291	.067	.027	-.528	2225	420	.068	.108	.454	-.243
2225	212	.249	.046	.086	-.666	2225	346	-.332	.072	-.045	-.646	2225	421	.243	.131	.664	-.109
2225	213	.276	.055	.053	-.666	2225	347	-.437	.096	-.126	-.928	2225	422	.338	.143	.787	-.036
2225	214	.267	.056	.011	-.666	2225	348	-.522	.126	-.182	-.1491	2225	423	.404	.156	.894	-.031
2225	215	.277	.069	.018	-.666	2225	349	-.499	.116	-.172	-.1312	2225	424	.462	.175	.972	-.044
2225	216	.257	.079	.056	-.666	2225	350	-.454	.109	-.166	-.1045	2225	425	.476	.183	1.171	-.129
2225	301	.324	.097	.080	-.855	2225	351	-.202	.052	-.027	-.437	2225	426	.477	.193	1.215	-.284
2225	302	.317	.090	.002	-.855	2225	352	-.222	.052	-.024	-.442	2225	427	.402	.196	1.123	-.430
2225	303	.326	.086	.072	-.855	2225	353	-.239	.056	-.073	-.470	2225	428	.150	.082	.245	-.408
2225	304	.309	.075	.097	-.733	2225	354	-.229	.059	-.031	-.503	2225	429	.030	.100	.437	-.233
2225	305	.347	.083	.122	-.733	2225	355	-.258	.063	-.056	-.517	2225	430	.173	.116	.617	-.141
2225	306	.351	.069	.167	-.677	2225	356	-.291	.063	-.067	-.535	2225	431	.245	.132	.750	-.082
2225	307	.346	.061	.170	-.677	2225	357	-.314	.079	-.010	-.551	2225	432	.299	.152	.870	-.104
2225	308	.326	.055	.156	-.677	2225	358	-.431	.120	-.074	-.898	2225	433	.338	.161	.846	-.061
2225	309	.330	.056	.165	-.677	2225	359	-.500	.150	-.027	-.1091	2225	434	.376	.182	.989	-.075
2225	310	.308	.054	.126	-.677	2225	360	-.667	.182	-.199	-.1702	2225	435	.353	.197	1.002	-.147
2225	311	.330	1.00	.104	-.799	2225	361	-.195	.066	-.044	-.446	2225	436	.240	.189	.933	-.311
2225	312	.330	.084	.115	-.799	2225	362	-.174	.064	-.047	-.406	2225	437	.196	.081	.141	-.498
2225	313	.332	.072	.119	-.799	2225	363	-.175	.068	-.061	-.440	2225	438	.023	.084	.318	-.270
2225	314	.307	.060	.112	-.666	2225	364	-.175	.077	-.161	-.454	2225	439	.088	.093	.512	-.173
2225	315	.325	.055	.170	-.666	2225	365	-.173	.091	-.235	-.467	2225	440	.139	.101	.607	-.114
2225	316	.336	.034	.175	-.666	2225	366	-.145	.077	-.335	-.356	2225	441	.185	.119	.685	-.119
2225	317	.340	.051	.155	-.666	2225	367	-.144	.062	-.155	-.357	2225	442	.234	.145	.909	-.124
2225	318	.309	.049	.142	-.666	2225	368	-.331	.085	-.017	-.660	2225	443	.250	.166	.897	-.135
2225	319	.317	.049	.146	-.666	2225	369	-.213	.067	-.034	-.448	2225	444	.215	.172	.867	-.189
2225	320	.333	.049	.122	-.666	2225	370	-.185	.059	-.036	-.382	2225	445	.135	.170	.834	-.297
2225	321	.338	.071	.138	-.666	2225	371	-.176	.062	-.199	-.393	2225	446	.053	.072	.216	-.260
2225	322	.330	.056	.166	-.666	2225	372	-.170	.063	-.190	-.377	2225	447	.074	.084	.406	-.156
2225	323	.346	.057	.189	-.666	2225	373	-.151	.060	-.148	-.337	2225	448	.151	.099	.551	-.129
2225	324	.359	.059	.206	-.666	2225	374	-.129	.063	-.249	-.337	2225	449	.207	.117	.664	-.092
2225	325	.367	.060	.184	-.666	2225	375	-.125	.059	-.097	-.301	2225	450	.243	.121	.712	-.068
2225	326	.337	.059	.140	-.666	2225	401	-.031	.095	-.341	-.315	2225	451	.258	.129	.762	-.075
2225	327	.347	.060	.172	-.666	2225	402	-.197	.128	-.581	-.232	2225	452	.261	.134	.785	-.090
2225	328	.348	.059	.146	-.666	2225	403	-.182	.115	-.655	-.254	2225	453	.272	.126	.770	-.095
2225	329	.349	.059	.138	-.666	2225	404	-.236	.118	-.695	-.194	2225	454	.280	.129	.816	-.090
2225	330	.314	.057	.102	-.666	2225	405	-.271	.125	-.701	-.202	2225	455	.262	.134	.812	-.089
2225	331	.290	.059	.063	-.666	2225	406	-.332	.134	-.714	-.114	2225	456	.234	.137	.816	-.109
2225	332	.331	.062	.058	-.666	2225	407	-.399	.150	-.863	-.130	2225	457	.160	.143	.780	-.187
2225	333	.331	.065	.097	-.666	2225	408	-.438	.161	-.899	-.141	2225	458	.092	.131	.639	-.233
2225	334	.313	.069	.014	-.666	2225	409	-.569	.175	1.201	-.056	2225	501	.185	.136	.784	-.334
2225	335	.352	.071	.097	-.666	2225	410	-.014	.079	1.284	-.311	2225	502	.104	.095	.352	-.522
2225	336	.384	.074	.173	-.666	2225	411	-.162	.110	1.582	-.202	2225	503	.226	.126	.724	-.068
2225	337	.390	.073	.167	-.666	2225	412	-.274	.129	1.724	-.119	2225	504	.072	.107	.323	-.469
2225	338	.363	.069	.142	-.666	2225	413	-.354	.146	1.785	-.136	2225	505	.140	.105	.635	-.156
2225	339	.359	.070	.129	-.666	2225	414	-.423	.154	1.914	-.102	2225	506	.053	.100	.321	-.420
2225	340	.483	.113	.080	-.956	2225	415	-.487	.165	1.949	-.091	2225	507	.404	.073	.228	-.770
2225	341	.216	.061	.039	-.444	2225	416	-.551	.177	1.030	-.185	2225	508	.373	.071	.185	-.724
2225	342	.201	.066	.126	-.488	2225	417	-.591	.190	1.154	-.056	2225	509	.366	.056	.187	-.587
2225	343	.219	.071	.175	-.488	2225	418	-.606	.193	1.140	-.012	2225	510	.363	.055	.204	-.600
2225	344	.241	.069	.339	-.490	2225	419	-.099	.082	1.192	-.358	2225	511	.376	.058	.187	-.668

APPENDIX A -- PRESSURE DATA:

MAIN PLACE HOTEL -- CONF. B -- DALLAS , TEXAS

WD	TAP	CPMEAN	CPRMS	CPMAX	CPMIN	WD	TAP	CPMEAN	CPRMS	CPMAX	CPMIN	WD	TAP	CPMEAN	CPRMS	CPMAX	CPMIN
22255	512	.348	.057	.175	-.634	22255	607	.110	.069	.215	.344	22255	702	-.417	.074	-.234	-.823
22255	513	.335	.051	.159	-.543	22255	608	.193	.053	.035	-.410	22255	703	-.377	.059	-.190	-.718
22255	514	.337	.048	.185	-.503	22255	609	.287	.064	-.065	.366	22255	704	-.343	.061	-.121	-.579
22255	515	.331	.051	.097	-.489	22255	610	.345	.064	-.081	.607	22255	705	-.437	.099	-.132	-.940
22255	516	.351	.139	.015	-1.453	22255	611	.095	.077	.292	.292	22255	706	-.437	.101	-.178	-.870
22255	517	.331	.112	.036	-.981	22255	612	.162	.055	.082	.375	22255	707	-.401	.076	-.179	-.820
22255	518	.343	.096	.000	-.758	22255	613	.240	.055	.075	.454	22255	708	-.390	.086	-.108	-.757
22255	519	.356	.097	.029	-.758	22255	614	.289	.053	.140	.446	22255	709	-.444	.113	-.121	-.048
22255	520	.298	.080	.041	-.712	22255	615	.036	.096	.557	.144	22255	710	-.482	.092	-.143	-.946
22255	521	.290	.076	.000	-.639	22255	616	.152	.054	.061	.525	22255	711	-.368	.089	-.103	-.818
22255	522	.298	.073	.046	-.615	22255	617	.128	.066	.101	.337	22255	712	-.362	.094	-.108	-.838
22255	523	.262	.070	.021	-.600	22255	618	.097	.059	.081	.437	22255	713	-.442	.081	-.240	-.827
22255	524	.280	.071	.048	-.640	22255	619	.087	.062	.199	.379	22255	715	-.437	.087	-.171	-.533
22255	525	.007	.173	.472	-1.552	22255	620	.064	.059	.122	.444	22255	716	-.437	.078	-.163	-.766
22255	526	.695	.153	.153	-1.222	22255	621	.067	.061	.174	.507	22255	717	-.337	.102	.021	-.799
22255	527	.349	.109	.019	-.979	22255	622	.058	.058	.195	.336	22255	718	-.337	.086	.092	-.710
22255	528	.209	.113	.164	-.705	22255	623	.003	.063	.371	.446	22255	719	-.444	.075	-.144	-.753
22255	529	.355	.093	.083	-.693	22255	624	.039	.073	.534	.266	22255	720	-.444	.111	.086	-.698
22255	530	.309	.080	.045	-.639	22255	625	.156	.043	.031	.797	22255	721	-.402	.074	.045	-.322
22255	531	.282	.067	.033	-.562	22255	626	.123	.042	.002	.161	22255	722	-.402	.068	.152	-.680
22255	532	.293	.143	.147	-.797	22255	627	.089	.040	.038	.855	22255	723	-.254	.120	.142	-.908
22255	533	.684	.148	.164	-1.205	22255	628	.062	.035	.103	.201	22255	724	-.242	.081	.015	-.794
22255	534	.664	.151	.031	-1.339	22255	629	.070	.038	.104	.122	22255	725	-.242	.066	.134	-.630
22255	535	.361	.141	.197	-.806	22255	630	.079	.040	.102	.333	22255	726	-.333	.083	.093	-.728
22255	536	.354	.088	.046	-.862	22255	631	.072	.041	.105	.49	22255	727	-.333	.092	.142	-.897
22255	537	.347	.127	.014	-.939	22255	632	.022	.057	.253	.183	22255	728	-.287	.095	.026	-.827
22255	538	.318	.074	.093	-.684	22255	633	.022	.088	.439	.688	22255	729	-.248	.077	.026	-.602
22255	539	.319	.070	.077	-.607	22255	634	.115	.048	.126	.088	22255	730	-.248	.079	.028	-.744
22255	540	.586	.132	.104	-1.057	22255	635	.087	.047	.203	.908	22255	731	-.248	.052	.093	-.528
22255	541	.625	.188	.413	-1.177	22255	636	.049	.039	.110	.44	22255	732	-.333	.066	.147	-.648
22255	542	.619	.187	.277	-1.256	22255	637	.062	.043	.128	.44	22255	733	-.263	.045	.070	-.438
22255	543	.416	.189	.642	-1.014	22255	638	.067	.043	.123	.551	22255	734	-.317	.065	.121	-.556
22255	544	.360	.085	.104	-.719	22255	639	.079	.045	.060	.60	22255	735	-.295	.061	.132	-.567
22255	545	.388	.096	.102	-.833	22255	640	.056	.046	.087	.151	22255	736	-.365	.044	.101	-.431
22255	546	.394	.124	.096	-1.014	22255	641	.005	.105	.456	.055	22255	737	-.307	.065	.098	-.540
22255	547	.296	.067	.073	-.560	22255	642	.329	.088	-.083	.85	22255	738	-.305	.055	.139	-.571
22255	548	.342	.061	.147	-.570	22255	643	.280	.094	.055	.971	22255	739	-.249	.047	.024	-.448
22255	549	.556	.107	.221	-.897	22255	644	.343	.132	-.063	.150	22255	740	-.287	.063	.101	-.544
22255	550	.383	.066	.165	-.631	22255	645	.390	.168	-.004	.399	22255	741	-.296	.062	.099	-.592
22255	551	.423	.100	.105	-.900	22255	646	.338	.128	.053	.223	22255	742	-.262	.046	.093	-.446
22255	552	.405	.100	.111	-.879	22255	647	.262	.069	-.022	.92	22255	743	-.279	.061	.075	-.544
22255	553	.421	.104	.128	-.958	22255	648	.250	.070	.006	.85	22255	744	-.272	.060	.082	-.574
22255	554	.433	.112	.194	-1.296	22255	649	.230	.076	.002	.606	22255	745	-.205	.061	.136	-.670
22255	555	.441	.114	.136	-.134	22255	650	.244	.096	.007	.066	22255	746	-.302	.061	.117	-.808
22255	600	.018	.105	.710	-.437	22255	651	.259	.079	.029	.731	22255	747	-.043	.050	.154	-.061
22255	601	.082	.116	.346	-.776	22255	652	.124	.053	.128	.44	22255	748	-.262	.026	.182	-.357
22255	603	.263	.161	.103	-1.347	22255	653	.104	.050	.106	.66	2240	1	-.421	.133	.135	-.389
22255	604	.472	.183	.051	-1.204	22255	654	.117	.053	.193	.341	2240	2	-.337	.099	.061	-.862
22255	605	.507	.127	.169	-.132	22255	655	.241	.101	.033	.739	2240	3	-.443	.096	.021	-.075
22255	606	.038	.089	.479	-.327	22255	701	.433	.072	.245	.840	2240	4	-.368	.109	.039	-.149

APPENDIX A -- PRESSURE DATA:

MAIN PLACE HOTEL -- CONF. B -- DALLAS , TEXAS

WD	TAP	CPMEAN	CPRMS	CPMAX	CPMIN	WD	TAP	CPMEAN	CPRMS	CPMAX	CPMIN	WD	TAP	CPMEAN	CPRMS	CPMAX	CPMIN
240	5	349	.107	.026	-.951	240	55	324	.097	.000	-.833	240	105	304	.071	-.083	-.615
240	6	331	.110	.043	-.060	240	56	333	.110	.041	-.938	240	106	395	.115	-.180	-2.057
240	7	366	.112	.052	-.022	240	57	311	.112	.019	-.844	240	107	391	.109	-.149	-1.672
240	8	389	.117	.095	-.141	240	58	263	.098	.019	-.886	240	108	334	.075	-.190	-1.012
240	9	365	.127	.002	-.299	240	59	305	.093	.017	-1.262	240	109	321	.073	-.093	-.928
240	10	340	.129	.054	-.108	240	60	350	.089	.075	-.952	240	110	385	.068	-.190	-.784
240	11	372	.133	.038	-.312	240	61	332	.081	.078	-.707	240	111	392	.073	-.190	-.907
240	12	392	.135	.041	-.422	240	62	327	.088	.064	-.720	240	112	327	.058	-.148	-.535
240	13	354	.135	.102	-.214	240	63	323	.072	.064	-.657	240	113	294	.056	-.113	-.484
240	14	325	.130	.090	-.207	240	64	310	.062	.065	-.620	240	114	342	.058	-.132	-.589
240	15	346	.126	.088	-.108	240	65	274	.061	.064	-.550	240	115	335	.059	-.132	-.573
240	16	359	.130	.007	-.253	240	66	252	.056	.066	-.479	240	116	309	.054	-.116	-.475
240	17	330	.131	.199	-.112	240	67	284	.057	.078	-.505	240	117	301	.052	-.108	-.481
240	18	388	.131	.179	-.099	240	68	200	.048	.128	-.480	240	118	351	.051	-.173	-.505
240	19	330	.140	.102	-.134	240	69	292	.055	.102	-.522	240	119	338	.050	-.165	-.489
240	20	345	.138	.007	-.086	240	70	267	.054	.083	-.486	240	120	325	.051	-.181	-.488
240	21	322	.118	.002	-.979	240	71	299	.054	.107	-.527	240	121	328	.056	-.174	-.549
240	22	364	.091	.075	-.922	240	72	224	.057	.107	-.669	240	122	390	.059	-.211	-.586
240	23	353	.098	.012	-.992	240	73	301	.058	.102	-.662	240	123	382	.060	-.193	-.593
240	24	316	.098	.026	-.836	240	74	283	.060	.102	-.671	240	124	360	.061	-.183	-.629
240	25	356	.103	.057	-.116	240	75	324	.073	-.116	-.728	240	125	352	.062	-.169	-.607
240	26	379	.102	.032	-.972	240	76	357	.094	.136	-.957	240	126	364	.055	-.175	-.581
240	27	354	.104	.009	-.784	240	77	202	.087	.015	-.708	240	127	335	.056	-.137	-.580
240	28	399	.104	.024	-.859	240	78	344	.090	.068	-.837	240	128	294	.064	-.130	-.500
240	29	311	.108	.009	-.855	240	79	266	.100	.003	-.882	240	129	279	.076	-.043	-.544
240	30	337	.093	.018	-.811	240	80	325	.086	-.101	-.151	240	130	362	.089	-.140	-.771
240	31	358	.114	.081	-.003	240	81	337	.099	.078	-.142	240	131	367	.080	-.117	-.712
240	32	334	.115	.017	-.102	240	82	353	.080	-.114	-.109	240	132	401	.117	-.176	-1.396
240	33	359	.117	.033	-.186	240	83	344	.076	-.089	-.044	240	133	398	.114	-.048	-1.051
240	34	369	.113	.051	-.018	240	84	328	.063	.049	-.611	240	134	393	.086	-.145	-.949
240	35	326	.115	.028	-.903	240	85	350	.073	-.071	-.744	240	135	384	.079	-.167	-1.001
240	36	297	.114	.052	-.800	240	86	348	.060	.109	-.586	240	136	360	.074	-.106	-.693
240	37	322	.116	.052	-.800	240	87	220	.057	.114	-.484	240	137	359	.078	-.091	-.726
240	38	352	.127	.058	-.993	240	88	329	.056	.084	-.500	240	138	378	.066	-.142	-.614
240	39	344	.109	.080	-.344	240	89	307	.058	.108	-.547	240	139	357	.065	-.139	-.578
240	40	393	.106	.085	-.233	240	90	347	.059	-.142	-.571	240	140	327	.061	-.106	-.562
240	41	325	.087	.062	-.837	240	91	341	.056	-.155	-.585	240	141	317	.063	-.081	-.547
240	42	306	.089	.059	-.899	240	92	297	.053	-.141	-.475	240	142	379	.063	-.165	-.604
240	43	346	.090	.097	-.055	240	93	397	.056	-.118	-.502	240	143	372	.060	-.175	-.593
240	44	383	.101	.102	-.001	240	94	339	.055	.134	-.538	240	144	343	.055	-.173	-.554
240	45	366	.110	.017	-.001	240	95	345	.057	-.177	-.557	240	145	326	.056	-.146	-.539
240	46	365	.109	.029	-.833	240	96	320	.051	-.171	-.505	240	146	382	.056	-.218	-.604
240	47	371	.110	.005	-.008	240	97	311	.054	-.144	-.575	240	147	389	.058	-.208	-.600
240	48	388	.114	.005	-.055	240	98	377	.061	-.193	-.746	240	148	359	.064	-.166	-.611
240	49	368	.113	.012	-.033	240	99	369	.067	-.170	-.763	240	149	347	.064	-.154	-.630
240	50	359	.112	.019	-.031	240	100	309	.049	-.087	-.465	240	150	401	.067	-.190	-.672
240	51	369	.106	.055	-.808	240	101	283	.052	-.023	-.461	240	151	398	.067	-.180	-.671
240	52	379	.116	.036	-.051	240	102	227	.057	-.076	-.530	240	152	300	.055	-.148	-.494
240	53	336	.110	.031	-.888	240	103	316	.063	-.084	-.583	240	153	286	.055	-.118	-.492
240	54	310	.103	.033	-.888	240	104	294	.067	-.079	-.564	240	154	271	.059	-.082	-.519

APPENDIX A -- PRESSURE DATA: MAIN PLACE HOTEL -- CONF. B -- DALLAS , TEXAS

WD	TAP	CPMEAN	CPRMS	CPMAX	CPMIN	WD	TAP	CPMEAN	CPRMS	CPMAX	CPMIN	WD	TAP	CPMEAN	CPRMS	CPMAX	CPMIN
240	155	3294	.070	.067	.740	240	205	.310	.109	.013	.743	240	339	.433	.087	.131	.938
240	156	315	.109	.065	.884	240	206	.358	.080	.103	.704	240	340	.507	.128	.165	1.353
240	157	325	.098	.085	.863	240	207	.334	.062	.182	.587	240	341	.293	.080	.014	.705
240	158	442	.158	.120	.885	240	208	.377	.082	.173	.682	240	342	.257	.074	.035	.528
240	159	334	.088	.150	.794	240	209	.368	.079	.160	.694	240	343	.276	.082	.022	.583
240	160	335	.074	.155	.702	240	210	.350	.070	.158	.695	240	344	.296	.087	.055	.601
240	161	335	.071	.167	.667	240	211	.365	.077	.173	.760	240	345	.353	.098	.019	.695
240	162	335	.068	.176	.646	240	212	.315	.059	.150	.604	240	346	.403	.109	.035	.787
240	163	336	.071	.184	.773	240	213	.344	.067	.162	.636	240	347	.547	.131	.063	1.124
240	164	333	.064	.173	.666	240	214	.335	.069	.131	.635	240	348	.598	.167	.100	1.439
240	165	333	.060	.185	.578	240	215	.337	.081	.096	.731	240	349	.565	.145	.132	1.294
240	166	333	.059	.183	.555	240	216	.332	.102	.036	.963	240	350	.514	.125	.184	1.134
240	167	333	.055	.170	.500	240	301	.382	.141	.024	1.087	240	351	.282	.081	.027	.646
240	168	333	.055	.166	.489	240	302	.378	.121	.160	.954	240	352	.289	.076	.062	.582
240	169	329	.052	.123	.481	240	303	.400	.116	.013	.977	240	353	.301	.078	.051	.604
240	170	329	.054	.169	.499	240	304	.379	.106	.020	.911	240	354	.290	.079	.047	.665
240	171	333	.058	.173	.625	240	305	.409	.106	.067	1.005	240	355	.308	.085	.053	.716
240	172	333	.059	.184	.604	240	306	.410	.091	.145	.798	240	356	.328	.085	.074	.666
240	173	333	.060	.180	.618	240	307	.406	.091	.076	1.002	240	357	.345	.104	.043	.799
240	174	333	.060	.178	.611	240	308	.363	.079	.171	.913	240	358	.470	.141	.002	1.028
240	175	333	.058	.128	.616	240	309	.361	.076	.145	.832	240	359	.577	.174	.027	1.417
240	176	333	.059	.114	.613	240	310	.322	.073	.080	.592	240	360	.784	.233	.260	2.603
240	177	333	.061	.122	.632	240	311	.391	.118	.056	.863	240	361	.263	.078	.060	.608
240	178	333	.058	.078	.640	240	312	.374	.098	.050	.833	240	362	.240	.086	.066	.632
240	179	328	.061	.137	.607	240	313	.375	.092	.048	.880	240	363	.240	.092	.094	.629
240	180	328	.060	.119	.538	240	314	.362	.097	.009	.811	240	364	.235	.091	.117	.568
240	181	330	.077	.018	.623	240	315	.392	.093	.126	.771	240	365	.221	.094	.190	.536
240	182	331	.104	.002	.889	240	316	.403	.093	.112	.833	240	366	.173	.094	.236	.547
240	183	333	.110	.072	.917	240	317	.397	.088	.125	.772	240	367	.148	.086	.324	.546
240	184	335	.067	.162	.657	240	318	.349	.075	.113	.749	240	368	.447	.110	.095	1.028
240	185	336	.066	.182	.665	240	319	.350	.073	.140	.696	240	369	.250	.074	.002	.625
240	186	336	.065	.194	.669	240	320	.347	.073	.124	.733	240	370	.241	.067	.033	.542
240	187	336	.066	.175	.695	240	321	.398	.111	.077	.979	240	371	.195	.070	.111	.440
240	188	334	.062	.164	.669	240	322	.366	.090	.097	.745	240	372	.157	.075	.291	.387
240	189	335	.067	.173	.663	240	323	.388	.088	.131	.696	240	373	.109	.077	.226	.330
240	190	335	.067	.194	.713	240	324	.401	.091	.112	.852	240	374	.076	.087	.311	.346
240	191	332	.063	.202	.637	240	325	.421	.091	.087	.811	240	375	.066	.080	.387	.351
240	192	332	.064	.175	.621	240	326	.402	.086	.153	.964	240	401	.149	.116	.518	.258
240	193	333	.066	.189	.676	240	327	.411	.083	.155	.914	240	402	.309	.145	.748	.132
240	194	333	.081	.056	.689	240	328	.406	.079	.150	.847	240	403	.295	.143	.754	.160
240	195	333	.097	.079	.892	240	329	.406	.078	.144	.825	240	404	.339	.150	.795	.186
240	196	333	.069	.175	.653	240	330	.375	.081	.151	.721	240	405	.365	.156	.795	.234
240	197	333	.069	.165	.730	240	331	.340	.087	.046	.757	240	406	.417	.160	.839	.178
240	198	333	.071	.192	.720	240	332	.374	.096	.069	.816	240	407	.428	.158	.915	.144
240	199	336	.083	.157	.883	240	333	.402	.102	.079	.856	240	408	.435	.163	.932	.116
240	200	333	.060	.146	.606	240	334	.399	.103	.064	.837	240	409	.484	.179	.951	.032
240	201	333	.061	.103	.601	240	335	.443	.108	.114	.940	240	410	.072	.092	.416	.256
240	202	330	.072	.042	.653	240	336	.465	.106	.193	.907	240	411	.252	.122	.629	.149
240	203	330	.089	.027	.729	240	337	.471	.102	.180	.943	240	412	.360	.141	.789	.081
240	204	316	.111	.049	.761	240	338	.426	.087	.132	.954	240	413	.434	.140	.889	.022

APPENDIX A -- PRESSURE DATA: MAIN PLACE HOTEL -- CONF. B -- DALLAS , TEXAS

WD	TAP	CPMEAN	CPRMS	CPMAX	CPMIN	WD	TAP	CPMEAN	CPRMS	CPMAX	CPMIN	WD	TAP	CPMEAN	CPRMS	CPMAX	CPMIN
240	414	.487	.144	.885	.076	240	506	.062	.086	.456	-.269	240	601	-.009	.097	.289	-.558
240	415	.529	.152	.934	.063	240	507	-.384	.067	.185	-.689	240	602	-.148	.139	.159	-.855
240	416	.564	.160	.994	.084	240	508	-.355	.065	.170	-.708	240	603	-.294	.167	.120	-1.234
240	417	.596	.177	1.055	.025	240	509	-.366	.064	.200	-.605	240	604	-.351	.157	.002	-1.296
240	418	.560	.176	1.055	-.030	240	510	-.371	.065	.205	-.621	240	605	-.484	.137	-.049	-1.296
240	419	.016	.091	.356	.359	240	511	-.387	.068	.212	-.736	240	606	-.010	.059	.183	-.284
240	420	.184	.118	.639	.163	240	512	-.362	.066	.204	-.681	240	607	-.054	.048	.093	-.236
240	421	.374	.146	.820	.047	240	513	-.365	.063	.180	-.656	240	608	.106	.064	.082	-.363
240	422	.469	.155	.959	.022	240	514	-.372	.060	.202	-.629	240	609	.195	.074	.044	-.499
240	423	.525	.163	1.005	.010	240	515	-.374	.066	.178	-.701	240	610	-.300	.082	.051	-.742
240	424	.567	.174	1.087	.012	240	516	-.327	.107	.052	-.530	240	611	-.053	.054	.111	-.326
240	425	.561	.175	1.089	.027	240	517	-.329	.096	.032	-.249	240	612	-.089	.054	.059	-.343
240	426	.542	.176	1.055	.005	240	518	-.337	.088	.037	-.801	240	613	-.152	.055	.110	-.369
240	427	.442	.174	1.027	.198	240	519	-.342	.089	.057	-.736	240	614	-.222	.054	.021	-.395
240	428	.076	.089	.308	.424	240	520	-.353	.063	.125	-.598	240	615	-.018	.054	.029	-.245
240	429	.134	.109	.519	.168	240	521	-.343	.064	.093	-.568	240	616	-.112	.080	.059	-.539
240	430	.286	.128	.703	.022	240	522	-.348	.065	.099	-.565	240	617	-.097	.081	.075	-.506
240	431	.358	.144	.885	.017	240	523	-.280	.056	.089	-.468	240	618	-.089	.080	.185	-.506
240	432	.402	.158	.922	.027	240	524	-.292	.056	.112	-.481	240	619	-.078	.091	.241	-.766
240	433	.452	.163	1.000	.010	240	525	-.293	.158	.173	-.354	240	620	-.031	.081	.302	-.765
240	434	.472	.172	.947	.015	240	526	-.299	.135	.157	-.359	240	621	-.019	.077	.189	-.499
240	435	.438	.178	.971	.020	240	527	-.440	.135	.082	-.046	240	622	-.002	.079	.261	-.548
240	436	.324	.173	.907	.118	240	528	-.367	.155	.173	-.945	240	623	.077	.090	.440	-.505
240	437	.143	.084	.269	.425	240	529	-.429	.136	.042	-.987	240	624	.142	.103	.592	-.530
240	438	.068	.091	.541	.150	240	530	-.381	.142	.032	-.158	240	625	-.084	.043	.044	-.252
240	439	.199	.110	.683	.044	240	531	-.379	.134	.041	-.900	240	626	-.068	.043	.081	-.229
240	440	.263	.127	.799	.027	240	532	-.437	.129	.007	-.968	240	627	-.034	.043	.157	-.204
240	441	.293	.129	.845	.012	240	533	-.600	.139	.201	-.123	240	628	.001	.041	.155	-.160
240	442	.318	.140	.944	.000	240	534	-.571	.134	.155	-.144	240	629	.001	.039	.144	-.147
240	443	.315	.152	1.017	.020	240	535	-.485	.125	.062	-.953	240	630	-.007	.041	.226	-.150
240	444	.277	.161	.991	.101	240	536	-.420	.108	.023	-.971	240	631	-.010	.044	.222	-.146
240	445	.203	.163	.803	.331	240	537	-.449	.147	.028	-.326	240	632	-.080	.052	.306	-.094
240	446	.003	.079	.406	.219	240	538	-.409	.155	.065	-.554	240	633	.119	.073	.548	-.107
240	447	.154	.096	.624	.080	240	539	-.397	.147	.007	-.135	240	634	-.029	.046	.176	-.185
240	448	.255	.118	.762	.002	240	540	-.419	.145	.035	-.223	240	635	.001	.047	.201	-.127
240	449	.305	.125	.832	.020	240	541	-.582	.150	.282	-.257	240	636	.052	.059	.377	-.098
240	450	.346	.131	.898	.007	240	542	-.578	.141	.021	-.368	240	637	.050	.064	.343	-.166
240	451	.362	.139	.912	.005	240	543	-.486	.148	.338	-.101	240	638	.024	.060	.310	-.215
240	452	.369	.145	.920	.005	240	544	-.423	.103	.098	-.966	240	639	-.003	.055	.211	-.294
240	453	.360	.151	.914	.012	240	545	-.471	.128	.079	-.197	240	640	.005	.054	.185	-.231
240	454	.369	.152	.967	.000	240	546	-.490	.160	.016	-.422	240	641	-.071	.063	.320	-.142
240	455	.354	.154	.958	.017	240	547	-.417	.137	.098	-.076	240	642	-.421	.128	.095	-.961
240	456	.330	.153	.927	.027	240	548	-.437	.125	.028	-.090	240	643	-.340	.150	.030	-1.077
240	457	.288	.155	.892	.064	240	549	-.505	.148	.016	-.121	240	644	-.346	.176	.019	-1.343
240	458	.215	.141	.760	.103	240	550	-.460	.115	.081	-.889	240	645	-.424	.245	.010	-1.531
240	501	.340	.149	.941	.007	240	551	-.447	.125	.069	-.014	240	646	-.333	.192	.056	-1.579
240	502	.031	.111	.461	.444	240	552	-.472	.116	.147	-.917	240	647	-.262	.095	.039	-.719
240	503	.352	.134	.810	.325	240	553	-.478	.118	.169	-.072	240	648	-.203	.091	.086	-.579
240	504	.077	.105	.485	.325	240	554	-.481	.116	.185	-.118	240	649	-.150	.088	.169	-.509
240	505	.240	.110	.700	.066	240	555	-.489	.127	.174	-.193	240	650	-.131	.097	.085	-.712

APPENDIX A -- PRESSURE DATA: MAIN PLACE HOTEL -- CONF. B -- DALLAS, TEXAS

WD	TAP	CPMEAN	CPRMS	CPMAX	CPMIN	WD	TAP	CPMEAN	CPRMS	CPMAX	CPMIN	WD	TAP	CPMEAN	CPRMS	CPMAX	CPMIN
240	651	.159	.088	.022	-.719	240	747	.056	.052	-.149	-.060	240	49	-.072	-.082	-.082	-.796
240	652	-.050	.064	.279	-.243	240	748	.310	.032	-.219	-.415	240	50	-.072	-.072	-.072	-.626
240	653	.037	.052	.217	-.183	240	1	.292	.060	-.014	-.597	240	51	-.072	-.072	-.072	-.595
240	654	.030	.049	.202	-.233	240	2	.301	.065	-.009	-.651	240	52	-.072	-.072	-.072	-.631
240	655	.097	.088	.079	-.896	240	3	.280	.062	-.027	-.791	240	53	-.072	-.072	-.072	-.606
240	701	.365	.069	-.159	-.754	240	4	.291	.061	-.005	-.799	240	54	-.072	-.072	-.072	-.603
240	702	.359	.066	-.176	-.718	240	5	.296	.066	-.069	-.665	240	55	-.072	-.072	-.072	-.688
240	703	.363	.063	-.175	-.615	240	6	.303	.066	-.093	-.609	240	56	-.072	-.072	-.072	-.632
240	704	.362	.068	-.174	-.651	240	7	.311	.067	-.089	-.695	240	57	-.072	-.072	-.072	-.642
240	705	.400	.117	-.144	-.042	240	8	.320	.068	-.085	-.722	240	58	-.072	-.072	-.072	-.628
240	706	.350	.075	-.123	-.704	240	9	.322	.075	-.066	-.692	240	59	-.072	-.072	-.072	-.666
240	707	.382	.079	-.190	-.945	240	10	.318	.076	-.058	-.646	240	60	-.072	-.072	-.072	-.654
240	708	.404	.095	-.199	-.867	240	11	.322	.077	-.066	-.633	240	61	-.072	-.072	-.072	-.690
240	709	.376	.083	-.178	-.937	240	12	.328	.079	-.062	-.690	240	62	-.072	-.072	-.072	-.637
240	710	.371	.086	-.161	-.904	240	13	.321	.076	-.046	-.646	240	63	-.072	-.072	-.072	-.671
240	711	.387	.099	-.136	-.013	240	14	.320	.077	-.023	-.633	240	64	-.072	-.072	-.072	-.643
240	712	.365	.092	-.142	-.788	240	15	.326	.077	-.066	-.635	240	65	-.072	-.072	-.072	-.648
240	713	.371	.075	-.175	-.733	240	16	.332	.079	-.014	-.713	240	66	-.072	-.072	-.072	-.626
240	715	.367	.074	-.092	-.746	240	17	.325	.080	-.030	-.803	240	67	-.072	-.072	-.072	-.630
240	716	.379	.082	-.002	-.830	240	18	.327	.082	-.023	-.666	240	68	-.072	-.072	-.072	-.602
240	717	.319	.072	-.034	-.658	240	19	.340	.086	-.039	-.666	240	69	-.072	-.072	-.072	-.635
240	718	.308	.066	-.065	-.668	240	20	.338	.103	-.099	-.699	240	70	-.072	-.072	-.072	-.644
240	719	.392	.077	-.146	-.758	240	21	.380	.109	-.018	-.645	240	71	-.072	-.072	-.072	-.660
240	720	.239	.079	-.039	-.535	240	22	.301	.061	-.074	-.659	240	72	-.072	-.072	-.072	-.680
240	721	.281	.063	-.074	-.509	240	23	.293	.060	-.092	-.626	240	73	-.072	-.072	-.072	-.637
240	722	.354	.071	-.108	-.639	240	24	.299	.060	-.105	-.666	240	74	-.072	-.072	-.072	-.640
240	723	.228	.082	-.051	-.551	240	25	.310	.062	-.114	-.622	240	75	-.072	-.072	-.072	-.662
240	724	.258	.063	-.049	-.545	240	26	.318	.064	-.111	-.633	240	76	-.072	-.072	-.072	-.694
240	725	.337	.059	-.012	-.646	240	27	.313	.070	-.092	-.639	240	77	-.072	-.072	-.072	-.620
240	726	.326	.070	-.099	-.670	240	28	.314	.070	-.088	-.666	240	78	-.072	-.072	-.072	-.684
240	727	.334	.079	-.056	-.709	240	29	.318	.070	-.087	-.666	240	79	-.072	-.072	-.072	-.640
240	728	.284	.072	-.201	-.557	240	30	.293	.057	-.117	-.629	240	80	-.072	-.072	-.072	-.658
240	729	.267	.059	-.074	-.480	240	31	.315	.066	-.080	-.643	240	81	-.072	-.072	-.072	-.688
240	730	.292	.061	-.002	-.532	240	32	.316	.066	-.047	-.686	240	82	-.072	-.072	-.072	-.623
240	731	.313	.068	-.130	-.706	240	33	.321	.067	-.094	-.658	240	83	-.072	-.072	-.072	-.687
240	732	.367	.077	-.168	-.702	240	34	.325	.066	-.074	-.688	240	84	-.072	-.072	-.072	-.658
240	733	.303	.056	-.123	-.530	240	35	.319	.072	-.014	-.722	240	85	-.072	-.072	-.072	-.617
240	734	.351	.075	-.154	-.728	240	36	.319	.073	-.056	-.744	240	86	-.072	-.072	-.072	-.633
240	735	.340	.075	-.154	-.631	240	37	.327	.074	-.085	-.666	240	87	-.072	-.072	-.072	-.637
240	736	.308	.055	-.107	-.522	240	38	.338	.078	-.092	-.639	240	88	-.072	-.072	-.072	-.647
240	737	.353	.071	-.155	-.707	240	39	.295	.059	-.093	-.639	240	89	-.072	-.072	-.072	-.645
240	738	.349	.072	-.163	-.692	240	40	.316	.066	-.085	-.615	240	90	-.072	-.072	-.072	-.624
240	739	.295	.058	-.082	-.516	240	41	.284	.062	-.050	-.672	240	91	-.072	-.072	-.072	-.606
240	740	.343	.072	-.150	-.710	240	42	.291	.062	-.067	-.622	240	92	-.072	-.072	-.072	-.628
240	741	.350	.074	-.155	-.815	240	43	.303	.061	-.066	-.655	240	93	-.072	-.072	-.072	-.618
240	742	.321	.057	-.144	-.557	240	44	.318	.066	-.069	-.666	240	94	-.072	-.072	-.072	-.629
240	743	.331	.068	-.130	-.621	240	45	.320	.077	-.114	-.702	240	95	-.072	-.072	-.072	-.662
240	744	.327	.070	-.137	-.860	240	46	.312	.073	-.123	-.655	240	96	-.072	-.072	-.072	-.635
240	745	.351	.076	-.180	-.858	240	47	.326	.076	-.128	-.711	240	97	-.072	-.072	-.072	-.621
240	746	.388	.107	-.182	-.154	240	48	.326	.076	-.129	-.699	240	98	-.072	-.072	-.072	-.616

APPENDIX A -- PRESSURE DATA: MAIN PLACE HOTEL -- CONF B -- DALLAS, TEXAS

	TAP	CPMEAN	CPRMS	CPMAX	CPMIN	WD	TAP	CPMEAN	CPRMS	CPMAX	CPMIN	WD	TAP	CPMEAN	CPRMS	CPMAX	CPMIN
2	333	.354	.134	.030	-.845	255	408	.384	.148	.897	-.046	255	458	.274	.106	.746	.007
3	334	.363	.139	.085	-.895	255	409	.383	.151	.891	-.065	255	459	.415	.116	.849	.114
4	335	.455	.159	.009	-.114	255	410	.174	.115	.547	-.156	255	501	.236	.113	.792	-.140
5	336	.330	.164	.065	-.222	255	411	.374	.142	.770	-.048	255	502	.457	.139	.038	-.072
6	337	.553	.149	.066	-.112	255	412	.466	.156	.950	.031	255	503	.311	.119	.799	-.149
7	338	.554	.141	.121	-.216	255	413	.519	.157	.985	.094	255	504	.309	.114	.780	.012
8	339	.550	.137	.126	-.555	255	414	.552	.159	1.079	.079	255	505	.221	.098	.621	-.137
9	340	.646	.150	.230	-.111	255	415	.563	.164	1.087	.145	255	506	.324	.043	.185	-.489
0	341	.259	.060	.041	-.508	255	416	.562	.167	1.049	.123	255	507	.288	.047	.144	-.446
1	342	.177	.070	.157	-.508	255	417	.539	.162	.959	.058	255	508	.293	.048	.131	-.471
2	343	.166	.082	.275	-.622	255	418	.451	.148	.856	.005	255	509	.303	.051	.140	-.472
3	344	.164	.089	.293	-.506	255	419	.086	.099	.578	.233	255	510	.309	.048	.159	-.477
4	345	.190	.116	.319	-.503	255	420	.320	.123	.808	.007	255	511	.275	.048	.098	-.446
5	346	.299	.163	.277	-.503	255	421	.491	.144	.906	.094	255	512	.287	.051	.114	-.468
6	347	.534	.220	.154	-.222	255	422	.559	.149	.988	.125	255	513	.295	.050	.123	-.469
7	348	.746	.230	.093	-.221	255	423	.589	.154	1.032	.152	255	514	.304	.053	.152	-.494
8	349	.712	.190	.207	-.800	255	424	.599	.158	1.068	.154	255	515	.264	.056	.041	-.528
9	350	.657	.190	.151	-.800	255	425	.569	.156	1.118	.205	255	516	.267	.055	.083	-.504
0	351	.293	.072	.087	-.500	255	426	.517	.148	1.017	.158	255	517	.279	.055	.077	-.493
1	352	.283	.072	.095	-.666	255	427	.392	.135	.851	.014	255	518	.281	.056	.079	-.506
2	353	.281	.076	.089	-.600	255	428	.023	.103	.399	-.337	255	519	.250	.047	.096	-.405
3	354	.274	.087	.020	-.666	255	429	.259	.120	.737	.060	255	520	.255	.049	.095	-.525
4	355	.268	.098	.007	-.614	255	430	.407	.134	.916	.074	255	521	.262	.049	.099	-.443
5	356	.269	.110	.014	-.666	255	431	.466	.145	.956	.071	255	522	.226	.051	.059	-.421
6	357	.285	.136	.139	-.333	255	432	.495	.152	1.047	.046	255	523	.234	.051	.052	-.430
7	358	.377	.180	.178	-.333	255	433	.547	.159	1.043	.181	255	524	.353	.078	.049	-.698
8	359	.516	.220	.128	-.333	255	434	.535	.155	1.000	.170	255	525	.641	.145	.224	-.103
9	360	.834	.296	.140	-.211	255	435	.474	.150	.927	.114	255	526	.521	.137	.064	-.120
0	361	.278	.078	.023	-.666	255	436	.342	.134	.777	.002	255	527	.303	.124	.180	-.803
1	362	.232	.092	.121	-.500	255	437	.052	.092	.340	.299	255	528	.356	.111	.044	-.856
2	363	.221	.099	.160	-.500	255	438	.191	.160	.628	.046	255	529	.358	.106	.023	-.059
3	364	.208	.097	.185	-.500	255	439	.338	.112	.887	.055	255	530	.304	.099	.048	-.740
4	365	.186	.099	.166	-.500	255	440	.406	.121	.979	.072	255	531	.326	.099	.000	-.905
5	366	.131	.099	.261	-.488	255	441	.466	.130	.935	.135	255	532	.580	.165	.036	-.162
6	367	.092	.094	.282	-.500	255	442	.477	.130	.981	.122	255	533	.629	.137	.229	-.191
7	368	.420	.130	.002	-.393	255	443	.450	.129	.965	.114	255	534	.549	.127	.166	-.029
8	369	.264	.065	.016	-.333	255	444	.382	.125	.852	.065	255	535	.486	.101	.201	-.928
9	370	.260	.057	.043	-.493	255	445	.265	.129	.711	.082	255	536	.462	.141	.034	-.050
0	371	.196	.067	.202	-.444	255	446	.031	.078	.405	.161	255	537	.367	.107	.057	-.215
1	372	.151	.076	.221	-.444	255	447	.254	.097	.751	.019	255	538	.328	.096	.018	-.771
2	373	.090	.078	.282	-.322	255	448	.391	.120	.984	.087	255	539	.334	.097	.073	-.881
3	374	.048	.083	.324	-.208	255	449	.408	.133	.935	.092	255	540	.536	.192	.379	-.136
4	375	.034	.076	.325	-.208	255	450	.445	.137	1.022	.108	255	541	.651	.161	.073	-.290
5	401	.249	.135	.718	-.111	255	451	.460	.142	1.039	.097	255	542	.538	.118	.181	-.067
6	402	.405	.152	.843	-.011	255	452	.467	.146	1.063	.101	255	543	.499	.099	.172	-.842
7	403	.374	.150	.897	-.112	255	453	.488	.141	1.067	.135	255	544	.526	.129	.169	-.017
8	404	.386	.150	.862	-.088	255	454	.492	.140	1.079	.139	255	545	.525	.175	.034	-.371
9	405	.387	.154	.873	-.111	255	455	.473	.140	1.044	.107	255	546	.422	.120	.082	-.980
0	406	.418	.158	.956	-.071	255	456	.443	.136	1.020	.099	255	547	.464	.115	.096	-.970
1	407	.414	.148	.849	-.029	255	457	.365	.118	.899	.029	255	548	.475	.133	.054	-.978

APPENDIX A -- PRESSURE DATA: MAIN PLACE HOTEL -- CONF. B -- DALLAS , TEXAS

WD	TAP	CPMEAN	CPRMS	CPMAX	CPMIN	WD	TAP	CPMEAN	CPRMS	CPMAX	CPMIN	WD	TAP	CPMEAN	CPRMS	CPMAX	CPMIN
2555	550	.558	.130	.185	-.064	2555	645	.307	.280	.113	-1.780	2555	741	.374	.056	.113	-.740
2555	551	.524	.112	.171	-.868	2555	646	.217	.202	.189	-1.426	2555	742	.343	.049	.020	-.554
2555	552	.524	.103	.222	-.981	2555	647	.198	.117	.177	-.795	2555	743	.365	.060	.179	-.616
2555	553	.581	.107	.262	-.967	2555	648	.126	.108	.217	-.634	2555	744	.349	.055	.152	-.666
2555	554	.627	.137	.294	-.738	2555	649	.062	.092	.430	-.598	2555	745	.371	.060	.212	-.669
2555	555	.594	.125	.225	-.097	2555	650	.033	.075	.180	-.463	2555	746	.394	.072	.216	-.921
2555	601	.024	.110	.329	-.644	2555	651	.071	.080	.124	-.508	2555	747	.021	.050	.134	-.079
2555	602	.141	.143	.210	-.126	2555	652	.003	.062	.496	-.210	2555	748	.339	.031	.247	-.453
2555	603	.298	.174	.073	-.355	2555	653	.024	.052	.285	-.140	270	1	.265	.057	.070	-.541
2555	604	.410	.177	.002	-.385	2555	654	.030	.051	.317	-.139	270	2	.277	.057	.099	-.587
2555	605	.458	.124	.138	-.004	2555	655	.020	.064	-.147	-.384	270	3	.268	.056	.070	-.566
2555	606	.004	.064	.189	-.350	2555	701	.352	.058	-.147	-.566	270	4	.277	.056	.094	-.591
2555	607	.010	.049	.151	-.190	2555	702	.348	.052	-.149	-.539	270	5	.280	.053	.063	-.480
2555	608	.037	.062	.179	-.514	2555	703	.363	.050	-.192	-.593	270	6	.283	.053	.076	-.466
2555	609	.132	.096	.227	-.514	2555	704	.364	.051	-.209	-.572	270	7	.289	.053	.102	-.484
2555	610	.272	.124	.246	-.778	2555	705	.367	.065	-.197	-.720	270	8	.293	.054	.098	-.509
2555	611	.024	.054	.172	-.226	2555	706	.367	.073	-.168	-.824	270	9	.287	.054	.061	-.506
2555	612	.029	.058	.161	-.219	2555	707	.357	.054	-.217	-.826	270	10	.286	.056	.071	-.516
2555	613	.076	.062	.149	-.282	2555	708	.365	.056	-.221	-.800	270	11	.291	.056	.074	-.521
2555	614	.143	.065	.119	-.379	2555	709	.374	.071	-.176	-.781	270	12	.294	.054	.096	-.520
2555	615	.024	.071	.346	-.242	2555	710	.363	.063	-.197	-.779	270	13	.285	.054	.105	-.485
2555	616	.030	.090	.199	-.613	2555	711	.370	.064	-.183	-.692	270	14	.284	.054	.106	-.485
2555	617	.028	.089	.193	-.602	2555	712	.380	.067	-.200	-.694	270	15	.285	.053	.102	-.566
2555	618	.033	.084	.195	-.682	2555	713	.344	.064	-.170	-.640	270	16	.285	.058	.080	-.483
2555	619	.030	.095	.213	-.796	2555	715	.352	.064	-.164	-.662	270	17	.277	.064	.051	-.557
2555	620	.007	.096	.271	-.487	2555	716	.350	.078	-.028	-.832	270	18	.278	.069	.045	-.575
2555	621	.007	.089	.310	-.490	2555	717	.299	.070	-.023	-.588	270	19	.288	.073	.056	-.633
2555	622	.033	.087	.342	-.405	2555	718	.323	.059	-.140	-.566	270	20	.280	.082	.056	-.680
2555	623	.095	.100	.424	-.434	2555	719	.338	.078	-.041	-.653	270	21	.276	.072	.042	-.576
2555	624	.137	.115	.610	-.485	2555	720	.247	.061	-.037	-.492	270	22	.271	.056	.082	-.504
2555	625	.008	.053	.180	-.201	2555	721	.294	.052	-.138	-.507	270	23	.268	.055	.091	-.447
2555	626	.014	.047	.171	-.140	2555	722	.289	.085	-.193	-.609	270	24	.275	.055	.078	-.468
2555	627	.029	.043	.198	-.114	2555	723	.218	.068	-.052	-.479	270	25	.286	.057	.067	-.526
2555	628	.055	.047	.230	-.202	2555	724	.287	.056	-.117	-.503	270	26	.292	.060	.063	-.551
2555	629	.053	.045	.203	-.110	2555	725	.290	.061	-.054	-.509	270	27	.281	.057	.105	-.499
2555	630	.051	.044	.226	-.117	2555	726	.260	.077	-.102	-.546	270	28	.280	.058	.099	-.521
2555	631	.050	.045	.203	-.143	2555	727	.256	.104	-.326	-.541	270	29	.286	.058	.107	-.526
2555	632	.106	.060	.401	-.151	2555	728	.248	.075	-.113	-.494	270	30	.272	.057	.079	-.509
2555	633	.124	.079	.454	-.149	2555	729	.270	.059	-.077	-.477	270	31	.281	.059	.063	-.485
2555	634	.038	.044	.218	-.171	2555	730	.306	.061	-.084	-.529	270	32	.284	.057	.052	-.495
2555	635	.058	.042	.268	-.112	2555	731	.329	.052	-.172	-.550	270	33	.290	.057	.035	-.526
2555	636	.105	.050	.309	-.041	2555	732	.371	.060	-.187	-.616	270	34	.293	.056	.045	-.495
2555	637	.109	.058	.352	-.076	2555	733	.345	.053	-.186	-.574	270	35	.282	.056	.096	-.496
2555	638	.100	.062	.412	-.130	2555	734	.369	.062	-.183	-.665	270	36	.280	.058	.090	-.528
2555	639	.085	.065	.403	-.252	2555	735	.361	.061	-.179	-.634	270	37	.285	.059	.091	-.540
2555	640	.078	.060	.396	-.197	2555	736	.337	.053	-.148	-.552	270	38	.291	.062	.073	-.542
2555	641	.068	.080	.425	-.237	2555	737	.371	.055	-.173	-.609	270	39	.261	.057	.076	-.504
2555	642	.414	.162	.044	-.219	2555	738	.370	.057	-.208	-.638	270	40	.281	.059	.098	-.535
2555	643	.323	.200	.101	-.652	2555	739	.324	.057	-.082	-.559	270	41	.264	.056	.075	-.529
2555	644	.277	.213	.136	-.428	2555	740	.362	.055	-.101	-.584	270	42	.272	.055	.092	-.561

APPENDIX A -- PRESSURE DATA:

MAIN PLACE HOTEL -- CONF. B -- DALLAS, TEXAS

WD	TAP	CPMEAN	CPRMS	CPMAX	CPMIN	WD	TAP	CPMEAN	CPRMS	CPMAX	CPMIN	WD	TAP	CPMEAN	CPRMS	CPMAX	CPMIN
270	43	280	0.555	0.84	556	270	93	224	0.53	0.24	432	270	143	333	0.53	156	539
270	44	290	0.660	0.38	553	270	94	225	0.52	0.43	437	270	144	333	0.50	141	528
270	45	295	0.663	1.12	655	270	95	227	0.51	0.48	441	270	145	333	0.50	123	495
270	46	288	0.669	1.03	544	270	96	228	0.53	1.00	452	270	146	333	0.51	137	528
270	47	301	0.664	1.02	575	270	97	229	0.52	1.15	439	270	147	333	0.51	188	541
270	48	304	0.665	0.56	556	270	98	230	0.55	0.67	482	270	148	333	0.54	137	536
270	49	284	0.667	0.56	555	270	99	232	0.51	1.06	497	270	149	333	0.54	145	635
270	50	288	0.666	0.66	674	270	100	306	0.66	0.39	376	270	150	333	0.56	194	637
270	51	295	0.662	0.81	573	270	101	284	0.61	0.04	490	270	151	333	0.61	171	642
270	52	301	0.665	0.61	593	270	102	300	0.60	0.24	493	270	152	333	0.63	098	560
270	53	296	0.666	0.68	725	270	103	333	0.59	0.39	493	270	153	333	0.65	098	563
270	54	292	0.661	1.02	511	270	104	333	0.66	1.28	433	270	154	333	0.65	067	733
270	55	291	0.555	1.12	479	270	105	330	0.66	1.06	606	270	155	333	0.69	099	605
270	56	292	0.559	0.89	530	270	106	306	0.65	0.78	567	270	156	333	0.72	116	714
270	57	290	0.662	1.00	502	270	107	333	0.66	0.97	677	270	157	333	0.68	110	807
270	58	301	0.666	0.90	551	270	108	333	0.64	0.93	535	270	158	333	1.16	120	142
270	59	291	0.663	0.79	528	270	109	299	0.63	0.76	332	270	159	333	0.76	121	767
270	60	274	0.556	0.77	457	270	110	333	0.64	0.37	434	270	160	333	0.73	162	851
270	61	272	0.556	0.47	538	270	111	333	0.71	0.00	633	270	161	333	0.62	178	890
270	62	284	0.666	0.80	521	270	112	333	0.68	0.74	443	270	162	333	0.55	188	733
270	63	265	0.555	0.42	461	270	113	293	0.64	0.39	535	270	163	333	0.62	188	732
270	64	249	0.554	0.30	431	270	114	302	0.63	0.67	330	270	164	333	0.56	181	770
270	65	231	0.557	0.00	436	270	115	306	0.61	1.02	441	270	165	333	0.54	189	556
270	66	234	0.555	0.33	424	270	116	304	0.60	0.43	489	270	166	333	0.53	176	666
270	67	239	0.555	0.42	435	270	117	288	0.56	0.35	434	270	167	333	0.52	137	556
270	68	238	0.555	0.70	391	270	118	299	0.53	0.71	457	270	168	333	0.51	133	481
270	69	236	0.553	0.44	403	270	119	299	0.55	0.76	459	270	169	333	0.51	124	444
270	70	238	0.552	0.54	400	270	120	309	0.56	1.13	498	270	170	333	0.51	124	506
270	71	242	0.552	0.63	403	270	121	296	0.55	0.93	473	270	171	333	0.50	153	491
270	72	248	0.551	0.59	410	270	122	332	0.54	1.18	491	270	172	333	0.52	133	484
270	73	248	0.550	0.47	454	270	123	332	0.56	1.30	330	270	173	333	0.51	155	501
270	74	256	0.558	0.52	495	270	124	333	0.59	0.59	339	270	174	333	0.50	148	499
270	75	267	0.559	0.16	517	270	125	331	0.61	0.13	586	270	175	333	0.55	170	586
270	76	283	0.559	0.09	471	270	126	325	0.65	0.50	558	270	176	333	0.54	128	639
270	77	277	0.666	0.84	508	270	127	332	0.65	0.35	560	270	177	333	0.57	088	623
270	78	289	0.559	0.75	463	270	128	322	0.68	0.41	570	270	178	333	0.62	120	615
270	79	299	0.559	0.78	513	270	129	314	0.66	0.43	549	270	179	333	0.65	116	670
270	80	272	0.662	0.17	504	270	130	340	0.66	1.16	600	270	180	333	0.70	112	625
270	81	271	0.662	0.54	592	270	131	329	0.64	1.10	550	270	181	333	0.78	048	694
270	82	273	0.660	0.43	491	270	132	336	0.62	1.46	446	270	182	333	0.85	099	756
270	83	279	0.559	0.63	485	270	133	333	0.66	1.36	224	270	183	333	0.82	079	916
270	84	285	0.660	0.30	511	270	134	335	0.61	1.27	627	270	184	333	0.64	200	621
270	85	271	0.664	0.09	534	270	135	368	0.62	1.36	701	270	185	333	0.62	145	662
270	86	262	0.663	0.47	515	270	136	379	0.62	1.46	602	270	186	333	0.63	169	663
270	87	262	0.661	0.63	469	270	137	360	0.62	1.47	999	270	187	333	0.71	002	712
270	88	269	0.660	0.54	470	270	138	370	0.60	0.67	627	270	188	333	0.64	100	639
270	89	248	0.558	0.50	441	270	139	370	0.60	1.51	033	270	189	333	0.62	182	667
270	90	263	0.556	0.54	439	270	140	369	0.57	1.07	554	270	190	333	0.59	192	684
270	91	264	0.544	0.28	433	270	141	352	0.55	0.67	423	270	191	333	0.59	202	609
270	92	267	0.544	0.52	441	270	142	355	0.54	0.93	433	270	192	333	0.60	165	618

APPENDIX A -- PRESSURE DATA: MAIN PLACE HOTEL -- CONF. B -- DALLAS , TEXAS

WD	TAP	CPMEAN	CPRMS	CPMAX	CPMIN	WD	TAP	CPMEAN	CPRMS	CPMAX	CPMIN	WD	TAP	CPMEAN	CPRMS	CPMAX	CPMIN
270	193	.358	.065	.012	.662	270	327	.328	.209	.200	-.949	270	402	.461	.158	.932	.008
270	194	.427	.150	-.032	-.098	270	328	.471	.176	.172	-.556	270	403	.414	.139	.850	-.027
270	195	.357	.078	-.142	-.700	270	329	.482	.139	.030	-.181	270	404	.386	.131	.804	-.055
270	196	.402	.083	-.184	-.872	270	330	.451	.126	-.109	-.179	270	405	.363	.131	.738	-.040
270	197	.409	.081	-.198	-.849	270	331	.245	.058	.040	-.598	270	406	.353	.131	.746	-.036
270	198	.402	.078	-.192	-.816	270	332	.174	.066	.067	-.627	270	407	.373	.138	.750	-.053
270	199	.399	.081	-.140	-.867	270	333	.156	.073	.116	-.575	270	408	.312	.131	.707	-.115
270	200	.333	.074	-.009	-.602	270	334	.123	.083	.126	-.634	270	409	.256	.134	.684	-.155
270	201	.325	.076	-.069	-.600	270	335	.126	.128	.221	-.800	270	410	.322	.140	.736	-.085
270	202	.337	.078	-.002	-.659	270	336	.167	.180	.166	-.809	270	411	.495	.161	.924	.056
270	203	.333	.085	-.005	-.744	270	337	.252	.219	.243	-.997	270	412	.540	.162	.997	.104
270	204	.334	.090	-.079	-.874	270	338	.448	.225	.271	-.398	270	413	.508	.153	.979	.104
270	205	.315	.085	-.074	-.699	270	339	.490	.184	.183	-.483	270	414	.506	.153	1 .052	.119
270	206	.180	.125	.411	-.666	270	340	.579	.223	.117	-.627	270	415	.487	.155	1 .042	.049
270	207	.300	.079	-.116	-.637	270	341	.266	.054	-.101	-.467	270	416	.453	.153	.954	.038
270	208	.423	.084	-.193	-.783	270	342	.164	.053	.021	-.344	270	417	.417	.143	.884	-.068
270	209	.398	.081	-.161	-.747	270	343	.135	.055	.126	-.345	270	418	.302	.122	.689	-.144
270	210	.361	.075	-.104	-.696	270	344	.111	.056	.168	-.323	270	419	.254	.134	.717	-.147
270	211	.391	.105	-.042	-.895	270	345	.077	.067	.182	-.366	270	420	.457	.153	1 .008	.000
270	212	.339	.073	-.014	-.667	270	346	.070	.105	.241	-.550	270	421	.539	.153	1 .986	.045
270	213	.362	.077	-.030	-.674	270	347	.165	.202	.275	-.968	270	422	.562	.153	1 .005	.137
270	214	.346	.076	-.106	-.717	270	348	.378	.266	.216	-.428	270	423	.554	.154	1 .009	.129
270	215	.354	.083	-.026	-.723	270	349	.459	.026	.154	-.302	270	424	.529	.154	1 .009	.128
270	216	.358	.110	-.005	-.086	270	350	.434	.175	.143	-.205	270	425	.489	.152	.959	.077
270	301	.204	.052	-.025	-.399	270	351	.246	.057	-.053	-.451	270	426	.420	.141	.886	.043
270	302	.185	.058	-.021	-.492	270	352	.200	.054	-.044	-.413	270	427	.284	.124	.701	-.033
270	303	.159	.063	-.037	-.532	270	353	.178	.056	.021	-.448	270	428	.185	.125	.590	-.223
270	304	.120	.070	-.093	-.511	270	354	.132	.055	.034	-.365	270	429	.400	.146	.864	-.025
270	305	.137	.093	.095	-.655	270	355	.098	.059	.079	-.347	270	430	.486	.148	.987	.047
270	306	.194	.121	.125	-.869	270	356	.067	.066	.140	-.323	270	431	.497	.149	1 .000	.071
270	307	.341	.169	.072	-.023	270	357	.061	.088	.218	-.410	270	432	.483	.148	1 .042	.099
270	308	.529	.169	.044	-.144	270	358	.091	.127	.334	-.804	270	433	.477	.160	1 .121	.009
270	309	.567	.153	-.002	-.172	270	359	.208	.181	.294	-.987	270	434	.436	.152	1 .005	.020
270	310	.520	.138	-.105	-.020	270	360	.456	.316	.392	-.862	270	435	.353	.142	1 .879	.073
270	311	.204	.050	-.019	-.404	270	361	.224	.070	.082	-.471	270	436	.210	.122	.662	.135
270	312	.144	.058	.115	-.449	270	362	.164	.066	.052	-.428	270	437	.168	.129	.623	.227
270	313	.132	.066	.082	-.471	270	363	.143	.066	.077	-.438	270	438	.336	.132	.785	.031
270	314	.112	.082	.113	-.460	270	364	.125	.064	.099	-.386	270	439	.398	.138	.833	.024
270	315	.126	.107	.149	-.564	270	365	.090	.067	.163	-.353	270	440	.404	.138	.875	.059
270	316	.203	.150	.143	-.740	270	366	.024	.072	.233	-.298	270	441	.393	.142	.893	.079
270	317	.345	.179	.137	-.898	270	367	.034	.084	.279	-.292	270	442	.373	.133	.799	.058
270	318	.507	.159	.076	-.064	270	368	.182	.117	.138	-.740	270	443	.319	.124	.739	.020
270	319	.518	.133	-.051	-.164	270	369	.219	.070	.023	-.541	270	444	.236	.113	.646	-.052
270	320	.503	.125	-.096	-.008	270	370	.210	.061	-.019	-.468	270	445	.117	.104	.549	.182
270	321	.239	.056	-.038	-.505	270	371	.148	.050	.062	-.340	270	446	.225	.099	.574	.047
270	322	.165	.074	-.055	-.604	270	372	.104	.050	.117	-.277	270	447	.362	.125	.877	.060
270	323	.153	.087	.089	-.668	270	373	.040	.050	.184	-.211	270	448	.439	.146	1 .019	.101
270	324	.142	.102	.140	-.725	270	374	.009	.062	.252	-.206	270	449	.432	.136	.907	.119
270	325	.157	.140	.180	-.744	270	375	.030	.059	.360	-.170	270	450	.446	.134	.900	.146
270	326	.219	.185	.197	-.921	270	401	.389	.148	.837	-.057	270	451	.441	.135	.895	.147

APPENDIX A -- PRESSURE DATA:

MAIN PLACE HOTEL -- CONF. B -- DALLAS , TEXAS

WD	TAP	CPMEAN	CPRMS	CPMAX	CPMIN	WD	TAP	CPMEAN	CPRMS	CPMAX	CPMIN	WD	TAP	CPMEAN	CPRMS	CPMAX	CPMIN
270	452	.431	.134	.873	.131	270	544	-.366	.107	-.036	-.705	270	639	.096	.050	.303	-.050
270	453	.417	.139	.882	.052	270	545	-.238	.120	-.121	-.693	270	640	.103	.047	.293	-.035
270	454	.407	.136	.866	.061	270	546	-.173	.108	-.146	-.621	270	641	-.071	.067	.270	-.389
270	455	.379	.134	.859	.027	270	547	-.280	.084	-.049	-.701	270	642	-.228	.184	.354	-1.262
270	456	.345	.129	.819	-.005	270	548	-.358	.088	-.085	-.680	270	643	-.141	.176	.294	-1.120
270	457	.292	.129	.835	.005	270	549	-.448	.117	-.052	-.925	270	644	-.051	.145	.322	-.972
270	458	.207	.118	.662	-.045	270	550	-.403	.097	-.072	-.743	270	645	-.002	.138	.341	-.736
270	501	.388	.139	.980	.102	270	551	-.425	.094	-.164	-.778	270	646	-.053	.123	.499	-.646
270	502	.191	.106	.648	.169	270	552	-.422	.104	-.158	-.838	270	647	-.015	.104	.302	-.605
270	503	.448	.146	.058	-.092	270	553	-.534	.111	-.218	-.968	270	648	.040	.087	.297	-.378
270	504	.219	.102	.642	.076	270	554	-.650	.153	-.229	-.351	270	649	.078	.069	.265	-.221
270	505	.379	.124	.839	.076	270	555	-.556	.136	-.195	-.1029	270	650	.092	.054	.268	-.107
270	506	.176	.104	.565	.205	270	601	-.180	.145	-.224	-.183	270	651	.095	.058	.366	-.232
270	507	-.337	.051	.171	-.55	270	602	-.333	.222	-.08	-.469	270	652	.086	.059	.480	-.060
270	508	.297	.056	.121	-.489	270	603	-.382	.214	-.076	-.860	270	653	.114	.055	.427	-.028
270	509	.298	.057	.118	-.489	270	604	-.417	.176	-.085	-.455	270	654	.129	.050	.418	-.002
270	510	.319	.059	.104	-.527	270	605	-.439	.114	-.151	-.945	270	655	.106	.043	.326	-.026
270	511	.311	.053	.119	-.515	270	606	-.087	.090	-.133	-.603	270	701	-.417	.087	-.218	-1.088
270	512	.272	.053	.090	-.447	270	607	-.076	.110	-.241	-.673	270	702	-.398	.068	-.200	-.905
270	513	.290	.057	.047	-.466	270	608	-.108	.148	-.338	-.895	270	703	-.391	.058	-.219	-.709
270	514	.299	.055	.072	-.475	270	609	-.263	.197	-.236	-.178	270	704	-.388	.062	-.232	-.659
270	515	.298	.051	.097	-.479	270	610	-.404	.172	-.152	-.194	270	705	-.412	.090	-.213	-.921
270	516	.223	.060	.018	-.406	270	611	-.002	.067	-.263	-.353	270	706	-.419	.107	-.149	-.035
270	517	.228	.059	.009	-.411	270	612	-.021	.070	-.277	-.309	270	707	-.400	.076	-.166	-.751
270	518	.243	.054	.034	-.433	270	613	-.019	.089	-.469	-.644	270	708	-.400	.073	-.187	-.808
270	519	.243	.055	.047	-.544	270	614	-.092	.090	-.401	-.532	270	709	-.429	.099	-.132	-.930
270	520	.214	.048	.007	-.539	270	615	-.012	.069	-.179	-.365	270	710	-.414	.091	-.146	-.903
270	521	.215	.051	.011	-.536	270	616	-.091	.108	-.506	-.476	270	711	-.414	.081	-.196	-.903
270	522	.222	.052	.025	-.537	270	617	-.063	.098	-.344	-.491	270	712	-.422	.091	-.118	-.846
270	523	.221	.053	.080	-.403	270	618	-.011	.086	-.266	-.430	270	713	-.402	.073	-.153	-.793
270	524	.248	.054	.044	-.432	270	619	-.018	.095	-.213	-.590	270	715	-.377	.078	-.014	-.663
270	525	.311	.068	.123	-.617	270	620	-.007	.089	-.209	-.469	270	716	-.402	.100	-.168	-.843
270	526	.546	.122	.272	-.029	270	621	-.021	.083	-.182	-.430	270	717	-.296	.115	-.248	-.608
270	527	.250	.105	.112	-.629	270	622	-.037	.084	-.180	-.491	270	718	-.329	.073	-.070	-.599
270	528	.291	.078	.029	-.590	270	623	-.049	.085	-.179	-.499	270	719	-.398	.102	-.175	-.854
270	529	.313	.074	.033	-.629	270	624	-.047	.095	-.251	-.530	270	720	-.223	.093	-.109	-.647
270	530	.308	.096	.026	-.055	270	625	-.099	.056	-.364	-.141	270	721	-.311	.066	-.063	-.587
270	531	.285	.066	.049	-.533	270	626	-.081	.047	-.254	-.147	270	722	-.352	.115	-.353	-.859
270	532	.227	.083	.075	-.999	270	627	-.070	.041	-.229	-.091	270	723	-.211	.106	-.254	-.569
270	533	.551	.136	.147	-.049	270	628	-.078	.040	-.267	-.094	270	724	-.286	.069	-.009	-.562
270	534	.542	.125	.213	-.099	270	629	-.065	.041	-.245	-.092	270	725	-.345	.081	-.086	-.631
270	535	.469	.110	.178	-.933	270	630	-.050	.041	-.218	-.090	270	726	-.316	.105	-.351	-.713
270	536	.365	.095	.104	-.736	270	631	-.042	.041	-.196	-.119	270	727	-.307	.117	-.338	-.754
270	537	.194	.103	.171	-.650	270	632	-.033	.041	-.218	-.141	270	728	-.249	.100	-.144	-.640
270	538	.322	.095	.081	-.189	270	633	-.013	.044	-.190	-.153	270	729	-.282	.070	-.021	-.510
270	539	.290	.069	.028	-.698	270	634	-.086	.046	-.278	-.112	270	730	-.321	.071	-.033	-.623
270	540	.319	.088	.056	-.751	270	635	-.088	.043	-.224	-.057	270	731	-.360	.067	-.072	-.643
270	541	.564	.142	.059	-.118	270	636	-.113	.044	-.291	-.056	270	732	-.394	.070	-.103	-.702
270	542	.544	.130	.012	-.999	270	637	-.122	.049	-.340	-.029	270	733	-.351	.071	-.045	-.614
270	543	.475	.116	.075	-.899	270	638	-.100	.050	-.316	-.036	270	734	-.398	.079	-.158	-.735

APPENDIX A -- PRESSURE DATA:

MAIN PLACE HOTEL -- CONF. B -- DALLAS , TEXAS

WD	TAP	CPMEAN	CPRMS	CPMAX	CPMIN	WD	TAP	CPMEAN	CPRMS	CPMAX	CPMIN	WD	TAP	CPMEAN	CPRMS	CPMAX	CPMIN
2270	735	338	.081	100	722	2285	37	333	.074	129	638	2285	87	255	.053	67	397
2270	736	343	.076	014	722	2285	38	333	.068	134	594	2285	88	258	.058	016	488
2270	737	349	.087	084	722	2285	39	260	.055	260	462	2285	89	246	.055	007	455
2270	738	350	.092	067	722	2285	40	279	.055	279	478	2285	90	251	.055	012	458
2270	739	312	.080	049	722	2285	41	262	.054	262	454	2285	91	245	.055	005	436
2270	740	398	.083	109	722	2285	42	268	.054	268	489	2285	92	241	.055	019	400
2270	741	412	.094	002	722	2285	43	278	.055	278	534	2285	93	230	.054	002	385
2270	742	350	.076	060	722	2285	44	290	.060	290	630	2285	94	238	.055	012	396
2270	743	390	.084	017	722	2285	45	296	.073	296	653	2285	95	247	.053	009	415
2270	744	384	.089	074	722	2285	46	304	.079	304	631	2285	96	263	.056	060	453
2270	745	412	.095	138	722	2285	47	310	.072	310	631	2285	97	265	.055	044	441
2270	746	433	.109	102	722	2285	48	312	.072	312	650	2285	98	287	.058	039	474
2270	747	433	.056	104	722	2285	49	307	.071	307	653	2285	99	306	.058	104	506
2270	748	347	.045	188	722	2285	50	308	.070	308	583	2285	100	349	.075	095	618
2285	1	254	.055	015	483	2285	51	318	.064	318	563	2285	101	326	.062	117	572
2285	2	269	.054	091	444	2285	52	324	.066	324	601	2285	102	333	.055	136	562
2285	3	269	.053	066	444	2285	53	323	.061	323	549	2285	103	333	.055	130	522
2285	4	272	.052	083	444	2285	54	333	.062	333	575	2285	104	330	.054	158	514
2285	5	275	.058	092	444	2285	55	334	.054	334	517	2285	105	307	.048	114	504
2285	6	280	.059	094	444	2285	56	334	.056	334	554	2285	106	257	.073	019	546
2285	7	286	.061	087	444	2285	57	316	.056	316	517	2285	107	285	.071	032	634
2285	8	288	.063	100	444	2285	58	316	.054	316	501	2285	108	278	.070	040	565
2285	9	288	.063	075	444	2285	59	307	.052	307	456	2285	109	264	.071	023	586
2285	10	297	.063	010	444	2285	60	273	.053	273	484	2285	110	265	.073	005	564
2285	11	288	.060	104	444	2285	61	267	.055	267	498	2285	111	269	.077	046	562
2285	12	287	.061	105	444	2285	62	277	.058	277	521	2285	112	268	.073	002	520
2285	13	293	.069	051	444	2285	63	259	.062	259	536	2285	113	260	.065	019	474
2285	14	293	.079	032	444	2285	64	238	.065	238	562	2285	114	270	.061	009	483
2285	15	322	.087	053	444	2285	65	220	.062	220	388	2285	115	274	.060	028	480
2285	16	355	.098	105	444	2285	66	223	.059	223	383	2285	116	266	.059	053	453
2285	17	360	.099	134	444	2285	67	229	.059	229	388	2285	117	248	.059	033	425
2285	18	351	.088	136	444	2285	68	227	.051	227	369	2285	118	249	.060	021	437
2285	19	338	.072	124	444	2285	69	224	.063	224	413	2285	119	251	.061	026	436
2285	20	323	.059	134	444	2285	70	224	.063	224	412	2285	120	250	.065	023	534
2285	21	299	.054	126	444	2285	71	230	.063	230	422	2285	121	251	.062	007	513
2285	22	271	.053	056	444	2285	72	232	.063	232	427	2285	122	275	.061	079	476
2285	23	266	.052	046	444	2285	73	233	.060	233	420	2285	123	286	.064	030	531
2285	24	270	.053	044	444	2285	74	235	.058	235	437	2285	124	297	.061	072	511
2285	25	280	.056	049	444	2285	75	263	.058	263	456	2285	125	300	.064	023	553
2285	26	287	.063	061	444	2285	76	291	.060	291	508	2285	126	347	.076	002	611
2285	27	281	.068	039	444	2285	77	322	.069	322	586	2285	127	342	.065	060	634
2285	28	283	.068	007	444	2285	78	321	.062	321	569	2285	128	341	.056	119	569
2285	29	299	.066	041	444	2285	79	319	.055	319	522	2285	129	328	.054	044	527
2285	30	299	.060	112	444	2285	80	251	.060	251	518	2285	130	340	.049	157	553
2285	31	299	.064	058	444	2285	81	264	.059	264	544	2285	131	330	.051	111	490
2285	32	299	.063	059	444	2285	82	257	.058	257	525	2285	132	332	.075	035	762
2285	33	299	.063	070	444	2285	83	258	.058	258	499	2285	133	352	.076	086	800
2285	34	333	.064	064	444	2285	84	257	.061	257	483	2285	134	335	.077	042	782
2285	35	323	.076	092	444	2285	85	250	.063	250	488	2285	135	337	.081	049	668
2285	36	333	.075	106	444	2285	86	257	.058	257	476	2285	136	334	.079	035	639

APPENDIX A -- PRESSURE DATA: MAIN PLACE HOTEL -- CONF. B -- DALLAS , TEXAS

WD	TAP	CPMEAN	CPRMS	CPMAX	CPMIN	WD	TAP	CPMEAN	CPRMS	CPMAX	CPMIN	WD	TAP	CPMEAN	CPRMS	CPMAX	CPMIN
2855	1337	318	.083	.068	.597	2855	187	.354	.082	-.082	-.674	2855	3221	-.200	.050	-.024	-.348
2855	1338	326	.079	.099	.643	2855	188	-.335	.074	-.071	-.710	2855	3222	-.057	.048	-.140	-.217
2855	1339	328	.070	.051	.606	2855	189	-.363	.088	-.012	-.677	2855	3223	-.019	.051	-.210	-.182
2855	140	331	.065	.021	.639	2855	190	-.359	.085	-.058	-.675	2855	3224	-.023	.055	-.266	-.149
2855	141	318	.061	-.028	.595	2855	191	-.356	.082	-.029	-.655	2855	3225	.074	.062	-.348	-.127
2855	142	321	.059	-.028	.576	2855	192	-.331	.084	-.119	-.618	2855	3226	-.134	.080	-.397	-.272
2855	143	314	.058	-.079	.537	2855	193	-.331	.083	-.007	-.701	2855	3227	-.163	.112	-.484	-.495
2855	144	309	.056	-.067	.546	2855	194	-.473	.132	-.029	-.051	2855	3228	-.114	.223	-.591	-.914
2855	145	297	.055	-.054	.537	2855	195	-.396	.093	-.159	-.014	2855	3229	-.024	.275	-.685	-.940
2855	146	308	.056	-.058	.551	2855	196	-.465	.119	-.178	-.956	2855	3300	-.073	.208	-.642	-.799
2855	147	316	.055	-.093	.550	2855	197	-.450	.121	-.048	-.970	2855	3331	-.203	.050	-.045	-.385
2855	148	329	.057	-.079	.606	2855	198	-.424	.127	-.043	-.136	2855	3332	-.093	.045	-.074	-.246
2855	149	323	.057	-.105	.565	2855	199	-.410	.145	-.056	-.070	2855	3333	-.059	.046	-.133	-.208
2855	150	338	.061	-.009	.590	2855	200	-.320	.092	-.044	-.703	2855	3334	-.009	.042	-.183	-.191
2855	151	345	.064	-.028	.603	2855	201	-.293	.086	-.017	-.886	2855	3335	-.046	.058	-.279	-.166
2855	152	348	.067	-.000	.645	2855	202	-.322	.106	-.039	-.887	2855	3336	-.089	.071	-.334	-.297
2855	153	346	.059	-.116	.587	2855	203	-.330	.097	-.017	-.788	2855	3337	-.114	.102	-.444	-.322
2855	154	345	.056	-.147	.562	2855	204	-.327	.088	-.068	-.737	2855	3338	-.093	.196	-.521	-.799
2855	155	352	.056	-.138	.539	2855	205	-.305	.089	-.043	-.737	2855	3339	-.000	.249	-.612	-.128
2855	156	341	.054	-.158	.598	2855	206	-.111	.136	-.347	-.634	2855	3340	-.030	.218	-.545	-.801
2855	157	331	.054	-.149	.510	2855	207	-.278	.096	-.082	-.638	2855	3341	-.231	.054	-.073	-.434
2855	158	520	.266	-.068	.999	2855	208	-.461	.122	-.041	-.671	2855	3342	-.110	.042	-.066	-.291
2855	159	387	.092	-.112	.793	2855	209	-.366	.111	-.007	-.869	2855	3343	-.077	.043	-.102	-.242
2855	160	388	.098	-.080	.822	2855	210	-.325	.100	-.043	-.704	2855	3344	-.046	.045	-.157	-.204
2855	161	388	.094	-.082	.821	2855	211	-.385	.142	-.107	-.990	2855	3345	-.001	.053	-.281	-.198
2855	162	374	.088	-.096	.716	2855	212	-.327	.084	-.036	-.652	2855	3346	-.065	.059	-.310	-.176
2855	163	367	.092	-.053	.762	2855	213	-.341	.085	-.043	-.898	2855	3347	-.097	.082	-.395	-.300
2855	164	336	.071	-.046	.637	2855	214	-.340	.089	-.000	-.834	2855	3348	-.065	.158	-.529	-.657
2855	165	330	.063	-.118	.612	2855	215	-.318	.082	-.046	-.684	2855	3349	-.003	.211	-.571	-.827
2855	166	325	.061	-.104	.644	2855	216	-.320	.100	-.010	-.187	2855	3350	-.041	.210	-.689	-.799
2855	167	327	.058	-.095	.560	2855	301	-.153	.050	-.039	-.324	2855	3351	-.175	.055	-.011	-.374
2855	168	309	.056	-.131	.523	2855	302	-.101	.051	-.118	-.297	2855	3352	-.106	.046	-.076	-.270
2855	169	277	.060	-.045	.597	2855	303	-.055	.057	-.192	-.257	2855	3353	-.077	.045	-.101	-.221
2855	170	303	.055	-.094	.506	2855	304	-.014	.060	-.241	-.219	2855	3354	-.037	.043	-.208	-.223
2855	171	309	.051	-.148	.490	2855	305	-.024	.059	-.246	-.205	2855	3355	-.005	.047	-.335	-.227
2855	172	297	.054	-.131	.508	2855	306	-.025	.056	-.232	-.191	2855	3356	-.045	.050	-.340	-.117
2855	173	306	.053	-.152	.506	2855	307	-.016	.066	-.240	-.454	2855	3357	-.069	.068	-.451	-.273
2855	174	310	.052	-.140	.502	2855	308	-.079	.131	-.392	-.679	2855	3358	-.079	.086	-.457	-.285
2855	175	323	.059	-.148	.551	2855	309	-.006	.250	-.510	-.961	2855	3359	-.073	.138	-.635	-.400
2855	176	311	.061	-.092	.589	2855	310	-.106	.260	-.582	-.852	2855	3360	-.028	.182	-.601	-.790
2855	177	318	.072	-.070	.626	2855	311	-.154	.046	-.002	-.350	2855	3361	-.162	.059	-.082	-.419
2855	178	330	.071	-.007	.774	2855	312	-.042	.053	-.151	-.187	2855	3362	-.078	.047	-.155	-.264
2855	179	344	.074	-.044	.701	2855	313	-.008	.057	-.191	-.170	2855	3363	-.052	.045	-.171	-.207
2855	180	331	.073	-.066	.662	2855	314	-.055	.059	-.264	-.145	2855	3364	-.029	.044	-.176	-.178
2855	181	336	.073	-.070	.657	2855	315	-.089	.060	-.313	-.102	2855	3365	-.004	.048	-.206	-.129
2855	182	340	.073	-.104	.750	2855	316	-.115	.066	-.355	-.066	2855	3366	-.066	.054	-.264	-.089
2855	183	326	.070	-.090	.689	2855	317	-.137	.076	-.406	-.288	2855	3367	-.111	.062	-.348	-.071
2855	184	357	.087	-.046	.705	2855	318	-.140	.167	-.652	-.718	2855	3368	-.049	.080	-.338	-.291
2855	185	354	.086	-.048	.689	2855	319	-.026	.261	-.702	-.836	2855	3369	-.174	.061	-.036	-.442
2855	186	350	.084	-.012	.697	2855	320	-.107	.216	-.727	-.786	2855	3370	-.141	.059	-.074	-.355

APPENDIX A -- PRESSURE DATA: MAIN PLACE HOTEL -- CONF. B -- DALLAS , TEXAS

WD	TAP	CPMEAN	CPRMS	CPMAX	CPMIN	WD	TAP	CPMEAN	CPRMS	CPMAX	CPMIN	WD	TAP	CPMEAN	CPRMS	CPMAX	CPMIN
285	371	.074	.051	.179	-.236	285	446	.300	.123	.839	-.310	285	538	-.407	.087	.135	-.825
285	372	.029	.051	.253	-.210	285	447	.354	.146	.967	-.211	285	539	-.392	.121	.087	-1.011
285	373	.029	.051	.245	-.142	285	448	.390	.158	.010	-.081	285	540	-.316	.088	.079	-.691
285	374	.072	.054	.298	-.125	285	449	.404	.148	.935	-.074	285	541	-.542	.136	.016	-1.035
285	375	.089	.055	.309	-.071	285	450	.412	.145	.924	-.081	285	542	-.512	.119	-.042	-.981
285	401	.564	.171	.975	-.032	285	451	.402	.144	.903	-.066	285	543	-.472	.148	.257	-1.126
285	402	.436	.156	.876	-.004	285	452	.382	.143	.906	-.038	285	544	-.389	.134	.005	-.891
285	403	.352	.131	.767	-.104	285	453	.349	.146	.804	-.040	285	545	-.212	.125	.137	-.726
285	404	.310	.118	.741	-.082	285	454	.336	.142	.784	-.066	285	546	-.313	.145	.126	-.694
285	405	.282	.116	.644	-.076	285	455	.304	.138	.758	-.068	285	547	-.330	.081	-.080	-.632
285	406	.244	.111	.588	-.088	285	456	.268	.133	.715	-.093	285	548	-.290	.077	.035	-.587
285	407	.230	.122	.688	-.167	285	457	.213	.124	.600	-.131	285	549	-.423	.117	.035	-.833
285	408	.141	.108	.559	-.193	285	458	.141	.116	.519	-.192	285	550	-.317	.088	.049	-.706
285	409	.056	.089	.331	-.333	285	459	.321	.136	.835	-.040	285	551	-.344	.119	.044	-.868
285	410	.539	.173	.106	-.005	285	460	.172	.099	.542	-.083	285	552	-.623	.144	.077	-1.044
285	411	.422	.167	.054	-.021	285	461	.402	.147	.934	-.036	285	553	-.371	.131	.084	-1.170
285	412	.481	.155	.944	-.033	285	462	.211	.096	.585	-.114	285	554	-.793	.191	.291	-1.662
285	413	.449	.149	.933	-.012	285	463	.362	.136	.845	-.005	285	555	-.927	.287	.246	-2.219
285	414	.420	.142	.839	-.002	285	464	.183	.094	.677	-.121	285	601	-.921	.103	.111	-.735
285	415	.373	.137	.770	-.068	285	465	.323	.061	.167	-.647	285	602	-.257	.190	.114	-1.468
285	416	.331	.130	.723	-.086	285	466	.296	.061	.114	-.526	285	603	-.304	.176	.079	-1.748
285	417	.234	.112	.638	-.071	285	467	.310	.061	.087	-.528	285	604	-.263	.117	.034	-1.185
285	418	.119	.089	.419	-.149	285	468	.334	.065	.145	-.578	285	605	-.350	.115	.007	-.877
285	419	.492	.172	.986	-.009	285	469	.320	.060	.090	-.564	285	606	-.220	.126	.142	-.989
285	420	.533	.169	.054	-.076	285	470	.300	.058	.116	-.509	285	607	-.278	.157	.366	-.967
285	421	.505	.171	.990	-.083	285	471	.318	.062	.141	-.521	285	608	-.293	.172	.209	-1.064
285	422	.489	.159	.969	-.085	285	472	.309	.061	.031	-.516	285	609	-.418	.168	.100	-1.445
285	423	.445	.149	.896	-.056	285	473	.312	.059	.109	-.516	285	610	-.484	.146	.026	-1.152
285	424	.395	.140	.818	-.031	285	474	.262	.062	.118	-.497	285	611	-.037	.110	.385	-.461
285	425	.309	.121	.735	-.038	285	475	.251	.061	.052	-.448	285	612	-.051	.109	.563	-.388
285	426	.244	.109	.682	-.104	285	476	.242	.069	.043	-.532	285	613	-.021	.103	.552	-.427
285	427	.112	.094	.476	-.237	285	477	.236	.077	.169	-.538	285	614	-.059	.105	.435	-.528
285	428	.394	.165	.960	-.345	285	478	.211	.061	.062	-.424	285	615	-.072	.116	.249	-.592
285	429	.451	.181	.983	-.038	285	479	.213	.064	.035	-.418	285	616	-.149	.143	.691	-.379
285	430	.450	.173	.940	-.047	285	480	.228	.065	.078	-.440	285	617	.122	.117	.608	-.327
285	431	.444	.165	.885	-.042	285	481	.213	.063	.028	-.388	285	618	.036	.092	.314	-.382
285	432	.388	.155	.865	-.026	285	482	.209	.063	.021	-.392	285	619	-.002	.093	.284	-.515
285	433	.377	.145	.978	-.045	285	483	.321	.078	-.098	-.761	285	620	-.000	.089	.230	-.577
285	434	.325	.133	.945	-.014	285	484	.502	.116	.126	-.986	285	621	-.025	.088	.181	-.506
285	435	.241	.120	.847	-.070	285	485	.350	.100	.044	-.689	285	622	-.053	.094	.209	-.465
285	436	.106	.102	.639	-.169	285	486	.322	.081	.060	-.643	285	623	-.094	.091	.156	-.550
285	437	.305	.155	.888	-.212	285	487	.347	.108	.035	-.1.049	285	624	-.078	.077	.133	-.510
285	438	.345	.158	.858	-.090	285	488	.391	.085	.100	-.771	285	625	-.103	.101	.610	-.223
285	439	.339	.157	.835	-.016	285	489	.348	.101	.044	-.806	285	626	-.092	.081	.509	-.277
285	440	.331	.152	.830	-.031	285	490	.304	.085	-.026	-.710	285	627	-.066	.047	.266	-.098
285	441	.333	.145	.812	-.010	285	491	.510	.134	-.054	-.996	285	628	-.085	.048	.257	-.044
285	442	.307	.132	.720	-.009	285	492	.478	.116	-.023	-.951	285	629	-.066	.048	.244	-.067
285	443	.247	.121	.629	-.063	285	493	.474	.133	.129	-.1.036	285	630	-.049	.048	.219	-.095
285	444	.155	.107	.499	-.135	285	494	.563	.142	-.042	-.972	285	631	-.030	.047	.200	-.117
285	445	.026	.092	.383	-.245	285	495	.310	.097	.009	-.740	285	632	-.004	.048	.223	-.163

APPENDIX A -- PRESSURE DATA: MAIN PLACE HOTEL -- CONF. B -- DALLAS , TEXAS

WD	TAP	CPMEAN	CPRMS	CPMAX	CPMIN	WD	TAP	CPMEAN	CPRMS	CPMAX	CPMIN	WD	TAP	CPMEAN	CPRMS	CPMAX	CPMIN
22855	633	.054	.054	.151	-.260	285	729	-.223	.087	.090	-.540	300	31	-.324	.064	-.108	-.635
22855	634	.131	.102	.675	-.237	285	730	-.285	.100	.166	-.627	300	32	-.341	.063	-.091	-.660
22855	635	.126	.087	.531	-.235	285	731	-.333	.081	-.026	-.752	300	33	-.353	.061	-.134	-.665
22855	636	.118	.058	.326	-.115	285	732	-.363	.088	-.066	-.864	300	34	-.355	.058	-.132	-.664
22855	637	.101	.044	.302	-.049	285	733	-.323	.079	-.012	-.642	300	35	-.341	.056	-.134	-.552
22855	638	.097	.057	.337	-.072	285	734	-.387	.110	.064	-.899	300	36	-.340	.051	-.171	-.506
22855	639	.093	.060	.375	-.082	285	735	-.364	.105	.019	-.825	300	37	-.339	.047	-.170	-.481
22855	640	.098	.059	.374	-.057	285	736	-.323	.092	.047	-.843	300	38	-.335	.046	-.160	-.469
22855	641	.084	.127	.248	-.610	285	737	-.434	.154	.026	-.222	300	39	-.329	.053	-.084	-.499
22855	642	.025	.139	.570	-.612	285	738	-.411	.129	.160	-.107	300	40	-.308	.053	-.111	-.509
22855	643	.058	.131	.557	-.732	285	739	-.295	.095	.102	-.667	300	41	-.281	.051	-.076	-.506
22855	644	.100	.105	.514	-.503	285	740	-.387	.149	.048	-.065	300	42	-.295	.051	-.084	-.513
22855	645	.118	.094	.428	-.324	285	741	-.405	.151	.050	-.116	300	43	-.304	.053	-.067	-.546
22855	646	.140	.090	.548	-.275	285	742	-.332	.099	.021	-.790	300	44	-.316	.057	-.067	-.557
22855	647	.104	.066	.414	-.120	285	743	-.406	.155	-.215	-.135	300	45	-.317	.068	-.067	-.686
22855	648	.122	.053	.389	-.085	285	744	-.407	.152	-.028	-.276	300	46	-.330	.071	-.104	-.648
22855	649	.132	.053	.378	-.061	285	745	-.410	.146	.081	-.030	300	47	-.336	.068	-.090	-.716
22855	650	.153	.057	.365	-.017	285	746	-.396	.128	.048	-.233	300	48	-.341	.070	-.121	-.747
22855	651	.144	.068	.467	-.235	285	747	-.039	.056	.156	-.094	300	49	-.334	.071	-.069	-.658
22855	652	.152	.066	.418	-.017	285	748	-.312	.142	-.142	-.456	300	50	-.350	.071	-.070	-.684
22855	653	.172	.060	.470	.002	300	1	-.288	.053	-.087	-.589	300	51	-.364	.067	-.120	-.682
22855	654	.152	.057	.373	.002	300	2	-.304	.052	-.145	-.576	300	52	-.370	.069	-.156	-.694
22855	655	.142	.057	.414	.079	300	3	-.302	.052	-.111	-.532	300	53	-.349	.058	-.159	-.626
22855	701	.465	.186	.052	-.815	300	4	-.331	.054	-.137	-.672	300	54	-.356	.055	-.176	-.621
22855	702	.385	.099	.064	-.815	300	5	-.305	.059	-.131	-.566	300	55	-.351	.047	-.193	-.520
22855	703	.348	.071	.074	-.622	300	6	-.309	.061	-.112	-.614	300	56	-.346	.045	-.204	-.522
22855	704	.333	.071	.069	-.627	300	7	-.314	.062	-.081	-.698	300	57	-.318	.045	-.163	-.502
22855	705	.342	.088	.057	-.989	300	8	-.317	.063	-.109	-.710	300	58	-.322	.045	-.171	-.499
22855	706	.475	.139	.097	-.180	300	9	-.306	.066	-.081	-.690	300	59	-.321	.046	-.161	-.493
22855	707	.418	.112	.078	-.106	300	10	-.306	.068	-.054	-.618	300	60	-.303	.051	-.097	-.532
22855	708	.371	.093	.122	-.106	300	11	-.317	.071	-.062	-.672	300	61	-.293	.055	-.094	-.511
22855	709	.471	.143	.118	-.248	300	12	-.333	.073	-.063	-.736	300	62	-.308	.057	-.115	-.508
22855	710	.441	.138	.059	-.203	300	13	-.336	.075	-.069	-.895	300	63	-.297	.058	-.035	-.493
22855	711	.416	.116	.102	-.980	300	14	-.344	.071	-.119	-.927	300	64	-.280	.058	-.042	-.480
22855	712	.439	.152	.017	-.228	300	15	-.350	.065	-.154	-.831	300	65	-.245	.056	-.007	-.474
22855	713	.391	.109	.012	-.847	300	16	-.358	.061	-.186	-.710	300	66	-.251	.056	-.023	-.457
22855	715	.334	.099	.036	-.764	300	17	-.347	.062	-.157	-.700	300	67	-.249	.057	-.067	-.440
22855	716	.321	.157	.196	-.819	300	18	-.343	.057	-.152	-.663	300	68	-.250	.049	-.016	-.390
22855	717	.199	.126	.170	-.682	300	19	-.339	.053	-.175	-.601	300	69	-.237	.059	-.025	-.407
22855	718	.303	.089	.017	-.683	300	20	-.339	.052	-.176	-.529	300	70	-.247	.059	-.000	-.415
22855	719	.352	.134	.252	-.937	300	21	-.315	.046	-.147	-.467	300	71	-.249	.059	-.009	-.414
22855	720	.140	.105	.172	-.613	300	22	-.302	.054	-.104	-.504	300	72	-.251	.061	-.021	-.411
22855	721	.269	.084	.085	-.635	300	23	-.300	.053	-.122	-.499	300	73	-.243	.061	-.025	-.442
22855	722	.303	.146	.305	-.917	300	24	-.300	.055	-.098	-.492	300	74	-.262	.059	-.026	-.431
22855	723	.116	.114	.330	-.610	300	25	-.317	.057	-.124	-.520	300	75	-.285	.058	-.046	-.467
22855	724	.245	.093	.175	-.584	300	26	-.324	.060	-.109	-.573	300	76	-.318	.058	-.111	-.511
22855	725	.274	.108	.090	-.760	300	27	-.312	.064	-.083	-.548	300	77	-.348	.060	-.143	-.643
22855	726	.256	.138	.281	-.860	300	28	-.321	.065	-.068	-.585	300	78	-.342	.053	-.144	-.594
22855	727	.251	.162	.548	-.762	300	29	-.329	.065	-.094	-.626	300	79	-.331	.046	-.144	-.483
22855	728	.172	.115	.273	-.611	300	30	-.335	.060	-.139	-.671	300	80	-.263	.051	-.091	-.439

APPENDIX A -- PRESSURE DATA: MAIN PLACE HOTEL -- CONF. B -- DALLAS , TEXAS

WD	TAP	CPMEAN	CPRMS	CPMAX	CPMIN	WD	TAP	CPMEAN	CPRMS	CPMAX	CPMIN	WD	TAP	CPMEAN	CPRMS	CPMAX	CPMIN
0000	81	.269	.049	.091	.452	300	131	.290	.042	.131	.440	300	181	.316	.064	.040	.631
0000	82	.265	.049	.094	.454	300	132	.287	.074	.002	.631	300	182	.317	.062	.090	.666
0000	83	.266	.050	.074	.447	300	133	.305	.073	.050	.868	300	183	.307	.071	.055	.571
0000	84	.261	.053	.061	.414	300	134	.289	.076	.009	.634	300	184	.342	.086	.048	.736
0000	85	.254	.053	.045	.411	300	135	.283	.080	.034	.648	300	185	.338	.094	.026	.788
0000	86	.266	.049	.022	.421	300	136	.272	.081	.079	.559	300	186	.342	.087	.026	.751
0000	87	.262	.044	.038	.411	300	137	.257	.081	.034	.568	300	187	.344	.079	.060	.750
0000	88	.263	.044	.106	.414	300	138	.268	.070	.011	.682	300	188	.330	.073	.096	.686
0000	89	.249	.043	.093	.393	300	139	.264	.060	.061	.496	300	189	.339	.094	.062	.776
0000	90	.251	.043	.076	.387	300	140	.268	.051	.091	.466	300	190	.341	.092	.019	.820
0000	91	.246	.044	.041	.375	300	141	.252	.047	.098	.397	300	191	.347	.082	.046	.803
0000	92	.243	.044	.070	.382	300	142	.256	.048	.094	.421	300	192	.324	.080	.012	.849
0000	93	.235	.044	.064	.361	300	143	.243	.050	.032	.375	300	193	.324	.079	.085	.714
0000	94	.241	.045	.052	.369	300	144	.243	.056	.023	.419	300	194	.435	.144	.048	1.117
0000	95	.246	.044	.034	.363	300	145	.224	.056	.009	.407	300	195	.405	.100	.105	.835
0000	96	.258	.046	.068	.398	300	146	.244	.057	.007	.421	300	196	.487	.138	.002	1.106
0000	97	.258	.044	.059	.413	300	147	.249	.055	.068	.440	300	197	.444	.137	.017	.939
0000	98	.279	.047	.070	.468	300	148	.252	.054	.050	.435	300	198	.389	.130	.017	.870
0000	99	.290	.044	.093	.458	300	149	.242	.053	.023	.425	300	199	.336	.144	.077	1.026
0000	100	.327	.059	.154	.634	300	150	.267	.057	.002	.432	300	200	.307	.080	.024	.688
0000	101	.303	.050	.152	.627	300	151	.277	.060	.027	.449	300	201	.299	.086	.015	.721
0000	102	.309	.044	.160	.608	300	152	.273	.076	.091	.624	300	202	.299	.085	.019	.744
0000	103	.304	.041	.153	.590	300	153	.343	.066	.062	.566	300	203	.328	.081	.036	.820
0000	104	.301	.039	.170	.416	300	154	.333	.062	.121	.566	300	204	.323	.073	.066	.816
0000	105	.279	.040	.152	.413	300	155	.333	.058	.151	.556	300	205	.304	.071	.033	.605
0000	106	.269	.058	.056	.472	300	156	.333	.055	.127	.540	300	206	.086	.126	.345	.530
0000	107	.286	.057	.074	.533	300	157	.333	.057	.069	.546	300	207	.270	.103	.120	.681
0000	108	.277	.057	.054	.552	300	158	.644	.255	.143	.804	300	208	.457	.125	.110	.897
0000	109	.262	.060	.020	.547	300	159	.407	.099	.082	.808	300	209	.342	.107	.052	.771
0000	110	.268	.062	.043	.560	300	160	.338	.105	.010	.895	300	210	.300	.099	.005	.649
0000	111	.266	.067	.095	.578	300	161	.338	.104	.050	.785	300	211	.329	.120	.082	.748
0000	112	.266	.057	.036	.552	300	162	.346	.096	.067	.723	300	212	.324	.078	.091	.614
0000	113	.252	.050	.070	.452	300	163	.345	.092	.017	.801	300	213	.331	.075	.104	.671
0000	114	.260	.046	.090	.430	300	164	.348	.068	.125	.580	300	214	.332	.085	.100	.827
0000	115	.254	.045	.095	.399	300	165	.338	.062	.017	.593	300	215	.332	.074	.053	.640
0000	116	.252	.047	.068	.416	300	166	.331	.058	.121	.563	300	216	.316	.078	.050	.715
0000	117	.233	.048	.002	.391	300	167	.327	.063	.161	.750	300	301	.079	.063	.136	.276
0000	118	.238	.049	.020	.400	300	168	.303	.059	.127	.717	300	302	.012	.077	.328	.240
0000	119	.237	.050	.027	.404	300	169	.227	.059	.011	.482	300	303	.073	.088	.376	.211
0000	120	.241	.052	.000	.401	300	170	.295	.056	.102	.604	300	304	.123	.089	.413	.144
0000	121	.239	.050	.016	.407	300	171	.305	.050	.134	.467	300	305	.117	.087	.436	.111
0000	122	.256	.047	.049	.425	300	172	.293	.053	.118	.480	300	306	.135	.088	.383	.133
0000	123	.262	.049	.065	.444	300	173	.301	.053	.135	.524	300	307	.161	.100	.494	.177
0000	124	.276	.053	.005	.459	300	174	.306	.052	.140	.485	300	308	.311	.122	.669	.058
0000	125	.278	.054	.057	.457	300	175	.322	.056	.053	.544	300	309	.393	.142	.818	.055
0000	126	.325	.060	.133	.567	300	176	.308	.061	.024	.583	300	310	.453	.156	.920	.237
0000	127	.312	.053	.142	.542	300	177	.333	.077	.043	.740	300	311	.068	.059	.121	.254
0000	128	.308	.044	.165	.466	300	178	.337	.072	.026	.644	300	312	.075	.076	.337	.147
0000	129	.295	.042	.145	.454	300	179	.333	.069	.012	.707	300	313	.120	.085	.411	.129
0000	130	.303	.039	.182	.441	300	180	.339	.066	.053	.727	300	314	.194	.092	.504	.126

APPENDIX A -- PRESSURE DATA: MAIN PLACE HOTEL -- CONF. B -- DALLAS, TEXAS

WD	TAP	CPMEAN	CPRMS	CPMAX	CPMIN	WD	TAP	CPMEAN	CPRMS	CPMAX	CPMIN	WD	TAP	CPMEAN	CPRMS	CPMAX	CPMIN
300	315	.236	.096	.550	-.028	300	365	.088	.046	.330	-.086	300	440	.217	.111	.600	-.077
300	316	.269	.104	.614	-.000	300	366	.153	.056	.512	-.009	300	441	.183	.105	.571	-.068
300	317	.315	.114	.676	-.026	300	367	.200	.066	.732	-.033	300	442	.155	.093	.510	-.088
300	318	.413	.129	.845	-.079	300	368	.185	.069	.734	-.006	300	443	.096	.084	.401	-.157
300	319	.463	.144	.910	-.444	300	369	.145	.060	.093	-.353	300	444	.014	.076	.299	-.245
300	320	.498	.173	.985	-.593	300	370	.081	.052	.088	-.237	300	445	.089	.067	.136	-.306
300	321	.107	.065	.140	-.291	300	371	.006	.052	.249	-.158	300	446	.191	.153	.636	-.359
300	322	.063	.065	.310	-.124	300	372	.061	.057	.401	-.111	300	447	.202	.142	.611	-.438
300	323	.119	.072	.397	-.087	300	373	.111	.054	.375	-.041	300	448	.212	.117	.593	-.273
300	324	.177	.078	.484	-.043	300	374	.162	.058	.367	-.011	300	449	.252	.127	.692	-.164
300	325	.248	.088	.599	-.009	300	375	.191	.065	.490	-.043	300	450	.257	.119	.710	-.121
300	326	.304	.101	.668	-.058	300	401	.384	.189	.842	-.691	300	451	.243	.115	.685	-.090
300	327	.356	.116	.769	-.093	300	402	.262	.124	.616	-.220	300	452	.220	.110	.640	-.103
300	328	.422	.135	.902	-.117	300	403	.153	.098	.499	-.160	300	453	.203	.099	.639	-.089
300	329	.462	.152	1.021	-.041	300	404	.143	.091	.436	-.139	300	454	.194	.098	.610	-.081
300	330	.482	.167	.999	-.139	300	405	.116	.089	.429	-.171	300	455	.162	.096	.572	-.090
300	331	.130	.059	.102	-.312	300	406	.082	.084	.360	-.183	300	456	.134	.094	.523	-.119
300	332	.015	.061	.286	-.145	300	407	.054	.087	.366	-.194	300	457	.085	.091	.437	-.201
300	333	.065	.065	.358	-.095	300	408	.030	.074	.227	-.250	300	458	.038	.092	.403	-.237
300	334	.129	.067	.406	-.066	300	409	.097	.065	.138	-.323	300	459	.501	.169	.498	-.090
300	335	.196	.078	.498	-.000	300	410	.436	.202	.929	-.519	300	450	.502	.108	.421	-.098
300	336	.261	.091	.616	-.038	300	411	.378	.146	.770	-.318	300	451	.503	.215	.611	-.075
300	337	.321	.107	.722	-.090	300	412	.294	.123	.628	-.030	300	452	.504	.136	.452	-.058
300	338	.434	.121	.837	-.079	300	413	.249	.114	.629	-.154	300	453	.505	.227	.576	-.154
300	339	.473	.134	.891	-.043	300	414	.226	.104	.561	-.102	300	454	.506	.097	.411	-.173
300	340	.365	.131	.859	-.063	300	415	.178	.098	.516	-.104	300	455	.507	.320	.661	-.898
300	341	.175	.054	.013	-.379	300	416	.115	.090	.439	-.161	300	456	.508	.299	.660	-.731
300	342	.035	.045	.122	-.194	300	417	.046	.081	.400	-.227	300	457	.509	.312	.656	-.675
300	343	.014	.046	.189	-.139	300	418	.037	.063	.270	-.268	300	458	.510	.334	.652	-.603
300	344	.059	.049	.235	-.109	300	419	.402	.205	.950	-.267	300	459	.511	.313	.658	-.641
300	345	.128	.063	.340	-.050	300	420	.392	.152	.864	-.273	300	450	.512	.298	.655	-.566
300	346	.205	.079	.502	-.000	300	421	.337	.122	.800	-.030	300	451	.513	.316	.658	-.544
300	347	.265	.095	.631	-.048	300	422	.310	.111	.738	-.033	300	452	.514	.300	.663	-.554
300	348	.319	.110	.757	-.066	300	423	.258	.104	.661	-.058	300	453	.515	.307	.658	-.505
300	349	.340	.122	.838	-.112	300	424	.206	.099	.614	-.077	300	454	.516	.295	.656	-.480
300	350	.382	.158	.950	-.303	300	425	.157	.089	.440	-.122	300	455	.517	.283	.656	-.472
300	351	.116	.059	.141	-.353	300	426	.100	.078	.354	-.193	300	456	.518	.284	.662	-.528
300	352	.023	.050	.198	-.209	300	427	.019	.067	.214	-.272	300	457	.519	.285	.671	-.622
300	353	.013	.048	.218	-.144	300	428	.358	.204	.897	-.399	300	458	.520	.243	.662	-.421
300	354	.062	.053	.254	-.115	300	429	.348	.153	.793	-.681	300	459	.521	.249	.664	-.436
300	355	.106	.058	.347	-.085	300	430	.318	.122	.694	-.163	300	450	.522	.268	.664	-.474
300	356	.156	.067	.437	-.019	300	431	.277	.112	.708	-.002	300	451	.523	.253	.662	-.444
300	357	.199	.082	.586	-.015	300	432	.233	.104	.668	-.021	300	452	.524	.277	.664	-.473
300	358	.249	.093	.619	-.032	300	433	.190	.099	.545	-.091	300	453	.525	.360	.670	-.685
300	359	.320	.109	.763	-.020	300	434	.147	.089	.473	-.105	300	454	.526	.518	.112	-1.059
300	360	.317	.114	.742	-.164	300	435	.070	.081	.371	-.148	300	455	.527	.547	.113	-.980
300	361	.116	.066	.129	-.327	300	436	.047	.070	.213	-.231	300	456	.528	.427	.071	-.719
300	362	.009	.048	.192	-.188	300	437	.254	.211	.919	-.657	300	457	.529	.452	.110	-1.067
300	363	.021	.044	.212	-.154	300	438	.283	.154	.840	-.424	300	458	.530	.435	.077	-.705
300	364	.050	.043	.215	-.102	300	439	.254	.122	.696	-.184	300	459	.531	.406	.086	-.765

APPENDIX A -- PRESSURE DATA: MAIN PLACE HOTEL -- CONF. B -- DALLAS , TEXAS

WD	TAP	CP	MEAN	CPRMS	CPMAX	CPMIN	WD	TAP	CP	MEAN	CPRMS	CPMAX	CPMIN	WD	TAP	CP	MEAN	CPRMS	CPMAX	CPMIN
300	532	-	387	.080	.153	-888	300	627	.019	.069	.235	-208	300	723	-	116	.128	.408	-604	
300	533	-	493	.123	.120	-917	300	628	.053	.054	.247	-141	300	724	-	245	.095	.116	-620	
300	534	-	439	.123	.039	-842	300	629	.028	.049	.227	-144	300	725	-	262	.099	.178	-616	
300	535	-	173	.254	.595	-003	300	630	.025	.047	.222	-134	300	726	-	236	.123	.292	-782	
300	536	-	661	.121	.267	-085	300	631	.008	.047	.194	-135	300	727	-	247	.128	.174	-767	
300	537	-	544	.126	.209	-996	300	632	.039	.049	.128	-211	300	728	-	195	.108	.221	-575	
300	538	-	436	.080	.194	-831	300	633	.118	.058	.088	-336	300	729	-	239	.085	.061	-519	
300	539	-	411	.093	.204	-963	300	634	.010	.099	.381	-660	300	730	-	290	.103	.152	-725	
300	540	-	338	.090	.128	-865	300	635	.000	.096	.370	-388	300	731	-	330	.078	.108	-993	
300	541	-	503	.120	.032	-960	300	636	.059	.070	.287	-319	300	732	-	370	.090	.053	-902	
300	542	-	463	.155	.164	-986	300	637	.046	.055	.248	-172	300	733	-	342	.081	.074	-736	
300	543	-	307	.204	.218	-909	300	638	.052	.050	.222	-152	300	734	-	390	.110	.013	-971	
300	544	-	669	.130	.204	-111	300	639	.050	.050	.215	-119	300	735	-	372	.102	.011	-808	
300	545	-	292	.158	.232	-019	300	640	.073	.059	.305	-108	300	736	-	334	.078	.090	-681	
300	546	-	578	.130	.034	-077	300	641	.182	.164	.223	-904	300	737	-	427	.143	.015	-1462	
300	547	-	436	.084	.171	-877	300	642	.255	.110	.776	-345	300	738	-	400	.126	.042	-1024	
300	548	-	320	.059	.146	-682	300	643	.260	.093	.714	-164	300	739	-	317	.081	.057	-644	
300	549	-	414	.104	.032	-756	300	644	.228	.086	.576	-002	300	740	-	416	.172	.091	-1574	
300	550	-	298	.057	.094	-622	300	645	.217	.093	.727	-002	300	741	-	395	.136	.069	-1054	
300	551	-	234	.067	.079	-857	300	646	.199	.116	.657	-068	300	742	-	339	.084	.066	-798	
300	552	-	799	.135	.378	-238	300	647	.220	.080	.597	.047	300	743	-	399	.176	.145	-1600	
300	553	-	918	.273	.184	-770	300	648	.226	.083	.590	.055	300	744	-	401	.148	.031	-1366	
300	554	-	888	.209	.253	-773	300	649	.224	.083	.657	.035	300	745	-	405	.140	.011	-1199	
300	555	-	733	.484	.538	-632	300	650	.202	.066	.518	.024	300	746	-	391	.107	.025	-802	
300	601	-	188	.082	.104	-515	300	651	.154	.084	.517	-067	300	747	-	011	.057	.110	-1153	
300	602	-	277	.165	.179	-214	300	652	.223	.071	.555	.033	300	748	-	320	.051	.123	-446	
300	603	-	317	.151	.046	-984	300	653	.234	.071	.600	.044	300	748	1	-	299	.052	.122	-498
300	604	-	358	.102	.033	-880	300	654	.238	.081	.664	.024	300	748	2	-	325	.053	.156	-519
300	605	-	292	.115	.056	-844	300	655	.139	.066	.448	.049	300	748	3	-	324	.053	.120	-524
300	606	-	299	.125	.016	-933	300	701	.507	.205	.022	-1707	300	748	4	-	334	.053	.102	-548
300	607	-	339	.146	.114	-968	300	702	.394	.104	.062	-833	300	748	5	-	317	.065	.047	-559
300	608	-	335	.164	.096	-086	300	703	.357	.075	.022	-785	300	748	6	-	326	.069	.055	-610
300	609	-	440	.146	.072	-115	300	704	.346	.070	.071	-707	300	748	7	-	323	.070	.028	-654
300	610	-	450	.137	.025	-103	300	705	.347	.079	.088	-802	300	748	8	-	327	.073	.052	-689
300	611	-	104	.112	.331	-593	300	706	.528	.144	.174	-1226	300	748	9	-	304	.072	.070	-735
300	612	-	012	.134	.538	-397	300	707	.440	.112	.134	-961	300	748	10	-	316	.069	.094	-704
300	613	-	023	.114	.413	-480	300	708	.383	.086	.129	-762	300	748	11	-	320	.062	.118	-651
300	614	-	063	.104	.372	-472	300	709	.499	.138	.101	-102	300	748	12	-	331	.058	.145	-584
300	615	-	140	.180	.365	-803	300	710	.463	.133	.059	-1079	300	748	13	-	320	.058	.154	-541
300	616	-	046	.165	.402	-595	300	711	.423	.115	.037	-997	300	748	14	-	336	.053	.130	-562
300	617	-	020	.114	.348	-498	300	712	.462	.156	.020	-1491	300	748	15	-	341	.054	.163	-552
300	618	-	019	.085	.270	-336	300	713	.379	.119	.085	-953	300	748	16	-	348	.054	.162	-579
300	619	-	006	.079	.256	-326	300	715	.324	.100	.035	-800	300	748	17	-	323	.055	.150	-634
300	620	-	000	.073	.222	-366	300	716	.278	.162	.201	-081	300	748	18	-	329	.053	.139	-610
300	621	-	039	.068	.179	-355	300	717	.161	.119	.294	-651	300	748	19	-	328	.053	.142	-574
300	622	-	060	.071	.157	-415	300	718	.307	.094	.029	-655	300	748	20	-	336	.052	.157	-579
300	623	-	129	.079	.091	-500	300	719	.320	.135	.196	-772	300	748	21	-	297	.049	.129	-531
300	624	-	133	.073	.144	-512	300	720	.160	.112	.368	-517	300	748	22	-	319	.058	.126	-536
300	625	-	068	.113	.373	-494	300	721	.284	.087	.022	-596	300	748	23	-	314	.061	.103	-508
300	626	-	033	.110	.356	-504	300	722	.275	.144	.239	-753	300	748	24	-	326	.065	.120	-545

APPENDIX A -- PRESSURE DATA: MAIN PLACE HOTEL -- CONF. B -- DALLAS , TEXAS

WD	TAP	CPMEAN	CPRMS	CPMAX	CPHIN	WD	TAP	CPMEAN	CPRMS	CPMAX	CPMIN	WD	TAP	CPMEAN	CPRMS	CPMAX	CPMIN
315	25	333	070	109	564	315	75	285	049	087	448	315	125	293	051	022	464
315	26	333	073	079	566	315	76	314	048	098	474	315	126	355	053	166	531
315	27	330	071	061	651	315	77	330	054	186	590	315	127	335	054	150	525
315	28	318	070	041	617	315	78	338	051	195	544	315	128	325	048	162	517
315	29	326	068	012	621	315	79	326	046	191	491	315	129	301	046	126	489
315	30	305	051	146	482	315	80	305	054	106	490	315	130	319	038	161	439
315	31	333	060	131	666	315	81	308	052	114	489	315	131	304	044	119	464
315	32	341	059	127	655	315	82	314	053	049	491	315	132	293	083	011	713
315	33	350	057	165	590	315	83	311	055	043	505	315	133	314	078	067	718
315	34	350	054	174	599	315	84	303	061	031	519	315	134	299	081	022	591
315	35	330	052	173	555	315	85	286	063	020	529	315	135	289	080	020	568
315	36	366	049	178	444	315	86	298	054	000	493	315	136	287	082	036	627
315	37	333	047	177	477	315	87	291	049	072	464	315	137	272	074	056	606
315	38	344	046	183	476	315	88	292	046	137	441	315	138	313	069	007	676
315	39	305	056	122	494	315	89	272	044	108	433	315	139	301	056	067	525
315	40	322	056	149	510	315	90	284	044	108	446	315	140	292	054	110	528
315	41	368	054	103	449	315	91	275	044	087	422	315	141	268	051	099	450
315	42	319	057	084	438	315	92	278	047	076	418	315	142	277	054	096	521
315	43	327	058	101	545	315	93	257	047	027	383	315	143	257	053	090	402
315	44	334	064	038	600	315	94	274	049	016	405	315	144	240	059	002	418
315	45	308	074	063	666	315	95	277	048	067	408	315	145	225	056	016	392
315	46	322	071	081	622	315	96	285	045	101	461	315	146	247	063	022	459
315	47	333	074	078	666	315	97	277	043	137	442	315	147	248	062	038	417
315	48	340	075	105	666	315	98	307	045	139	461	315	148	256	060	004	459
315	49	329	064	131	699	315	99	319	042	162	453	315	149	243	052	025	406
315	50	346	064	158	591	315	100	347	056	157	582	315	150	274	062	022	479
315	51	354	058	203	666	315	101	318	049	159	529	315	151	292	064	027	536
315	52	355	058	181	677	315	102	333	046	168	535	315	152	338	077	040	773
315	53	335	056	143	573	315	103	327	045	175	527	315	153	313	065	000	665
315	54	343	054	151	579	315	104	318	046	180	477	315	154	301	059	109	549
315	55	338	047	160	599	315	105	293	046	141	469	315	155	307	060	054	714
315	56	333	047	155	458	315	106	306	063	063	551	315	156	284	063	026	860
315	57	333	046	150	445	315	107	324	063	105	606	315	157	272	062	035	797
315	58	311	047	158	478	315	108	310	064	049	549	315	158	376	249	151	499
315	59	315	047	142	488	315	109	287	064	018	531	315	159	338	129	061	857
315	60	323	053	069	452	315	110	304	067	011	529	315	160	306	140	146	837
315	61	309	057	075	488	315	111	302	068	058	554	315	161	285	127	214	837
315	62	311	061	077	529	315	112	299	060	025	528	315	162	263	103	207	784
315	63	299	059	047	429	315	113	278	051	101	487	315	163	288	085	047	641
315	64	288	055	048	422	315	114	296	046	134	511	315	164	307	060	099	635
315	65	222	053	021	422	315	115	287	045	117	478	315	165	315	057	123	565
315	66	255	050	034	442	315	116	283	045	130	418	315	166	320	058	137	703
315	67	258	053	014	442	315	117	257	045	078	377	315	167	331	065	070	662
315	68	240	046	081	338	315	118	274	043	094	381	315	168	303	059	033	524
315	69	240	056	035	399	315	119	271	046	067	386	315	169	271	056	084	452
315	70	252	056	017	406	315	120	269	048	027	420	315	170	289	055	035	459
315	71	255	057	033	411	315	121	258	046	054	404	315	171	305	051	125	458
315	72	266	059	031	419	315	122	288	041	112	417	315	172	300	054	125	498
315	73	241	054	023	407	315	123	293	046	112	433	315	173	311	057	091	502
315	74	261	052	031	425	315	124	294	049	121	481	315	174	314	059	026	547

APPENDIX A -- PRESSURE DATA: MAIN PLACE HOTEL -- CONF. B -- DALLAS , TEXAS

WD	TAP	CPMEAN	CPRMS	CPMAX	CPMIN	WD	TAP	CPMEAN	CPRMS	CPMAX	CPMIN	WD	TAP	CPMEAN	CPRMS	CPMAX	CPMIN
315	175	.317	.072	.087	.552	315	309	.477	.157	.946	-.026	315	359	.397	.125	.826	.111
315	176	.280	.088	.148	.571	315	310	.486	.171	.932	-.019	315	360	.327	.110	.712	.046
315	177	.251	.113	.286	.546	315	311	.074	.079	.335	-.175	315	361	.060	.063	.206	-.263
315	178	.333	.091	.005	.705	315	312	.234	.104	.579	-.092	315	362	.060	.057	.253	-.128
315	179	.328	.072	.063	.632	315	313	.287	.115	.685	-.083	315	363	.086	.052	.243	-.070
315	180	.302	.068	.068	.555	315	314	.355	.122	.775	-.013	315	364	.108	.047	.271	-.038
315	181	.299	.068	.033	.609	315	315	.394	.126	.824	.083	315	365	.140	.047	.316	-.008
315	182	.297	.069	.005	.661	315	316	.426	.134	.924	.086	315	366	.194	.054	.383	.034
315	183	.266	.067	.068	.618	315	317	.470	.141	.976	.074	315	367	.241	.067	.534	.077
315	184	.276	.071	.028	.602	315	318	.545	.154	1.046	.095	315	368	.242	.075	.573	.065
315	185	.289	.082	.007	.902	315	319	.560	.162	1.067	.107	315	369	.112	.061	.117	-.316
315	186	.301	.077	.054	.768	315	320	.510	.170	1.047	.010	315	370	.022	.056	.147	-.219
315	187	.320	.079	.063	.663	315	321	.023	.082	.303	-.204	315	371	.080	.060	.361	.111
315	188	.316	.078	.007	.696	315	322	.220	.091	.587	-.051	315	372	.140	.067	.510	-.042
315	189	.304	.097	.084	.662	315	323	.279	.098	.643	-.009	315	373	.175	.061	.511	.017
315	190	.319	.102	.051	.752	315	324	.338	.104	.701	.048	315	374	.196	.055	.391	.051
315	191	.320	.086	.075	.702	315	325	.405	.115	.823	.106	315	375	.223	.065	.480	.051
315	192	.301	.080	.080	.663	315	326	.469	.132	.901	.162	315	401	.304	.234	.449	-.987
315	193	.310	.078	.060	.663	315	327	.513	.142	.980	.179	315	402	.125	.230	.303	-1.139
315	194	.310	.191	.223	.874	315	328	.552	.152	1.079	.162	315	403	.017	.096	.284	-.594
315	195	.319	.134	.067	.940	315	329	.555	.157	1.092	.151	315	404	.017	.064	.237	-.376
315	196	.301	.209	.205	.079	315	330	.468	.153	1.000	.053	315	405	.004	.058	.204	-.311
315	197	.221	.164	.186	.983	315	331	.014	.076	.284	-.233	315	406	.023	.055	.221	-.235
315	198	.172	.119	.277	.749	315	332	.145	.083	.525	.090	315	407	.069	.059	.142	-.262
315	199	.139	.123	.301	.641	315	333	.201	.088	.619	.025	315	408	.131	.052	.047	-.307
315	200	.328	.093	.054	.055	315	334	.253	.091	.692	.034	315	409	.186	.046	.022	-.345
315	201	.330	.117	.038	.102	315	335	.324	.107	.779	.058	315	410	.222	.233	.445	-1.047
315	202	.337	.098	.056	.826	315	336	.387	.121	.882	.094	315	411	.064	.282	.402	-1.107
315	203	.356	.090	.087	.815	315	337	.438	.134	.967	.119	315	412	.075	.115	.364	-.806
315	204	.346	.081	.082	.771	315	338	.528	.138	.943	.175	315	413	.074	.072	.275	-.551
315	205	.328	.081	.098	.741	315	339	.526	.145	.973	.167	315	414	.064	.064	.262	-.420
315	206	.117	.145	.682	.400	315	340	.411	.135	.889	.119	315	415	.027	.060	.235	-.291
315	207	.044	.134	.439	.423	315	341	.083	.057	.138	-.252	315	416	.025	.055	.166	-.216
315	208	.188	.138	.157	.665	315	342	.059	.053	.265	.114	315	417	.084	.051	.119	-.305
315	209	.151	.098	.112	.497	315	343	.106	.054	.297	.062	315	418	.143	.043	.017	-.299
315	210	.105	.100	.142	.442	315	344	.151	.057	.342	.034	315	419	.178	.214	.639	-.955
315	211	.121	.126	.324	.522	315	345	.220	.075	.484	.000	315	420	.067	.275	.550	-.932
315	212	.334	.091	.089	.971	315	346	.317	.094	.713	.069	315	421	.091	.156	.476	-.670
315	213	.336	.087	.105	.844	315	347	.385	.116	.905	.096	315	422	.131	.087	.425	-.413
315	214	.335	.093	.091	.231	315	348	.424	.127	1.012	.109	315	423	.097	.068	.360	-.213
315	215	.331	.086	.047	.615	315	349	.420	.131	.995	.110	315	424	.061	.062	.312	-.114
315	216	.308	.085	.014	.712	315	350	.375	.127	.911	.021	315	425	.011	.058	.221	-.223
315	301	.053	.089	.331	.214	315	351	.019	.065	.256	-.222	315	426	.025	.052	.168	-.203
315	302	.139	.106	.459	.223	315	352	.078	.057	.330	-.122	315	427	.113	.048	.081	-.252
315	303	.217	.115	.627	.117	315	353	.109	.055	.339	.083	315	428	.211	.212	.474	-1.064
315	304	.249	.117	.651	.052	315	354	.140	.053	.356	.013	315	429	.086	.257	.479	-1.199
315	305	.243	.119	.600	.084	315	355	.183	.059	.406	.021	315	430	.066	.170	.442	-.763
315	306	.263	.120	.598	.056	315	356	.240	.074	.521	.061	315	431	.094	.101	.392	-.470
315	307	.296	.122	.721	.066	315	357	.287	.095	.694	.076	315	432	.071	.078	.347	-.409
315	308	.427	.142	.903	.024	315	358	.340	.112	.791	.048	315	433	.054	.070	.335	-.261

APPENDIX A -- PRESSURE DATA: MAIN PLACE HOTEL -- CONF. B -- DALLAS , TEXAS

WD	TAP	CPMEAN	CPRMS	CPMAX	CPMIN	WD	TAP	CPMEAN	CPRMS	CPMAX	CPMIN	WD	TAP	CPMEAN	CPRMS	CPMAX	CPMIN
315	434	.034	.062	.304	-.252	315	526	-.563	.138	-.052	-1.079	315	621	-.076	.069	.130	-.423
315	435	-.029	.057	.218	-.250	315	527	-.599	.126	-.251	-1.104	315	622	-.087	.068	.113	-.450
315	436	-.123	.054	.097	-.325	315	528	-.377	.068	-.173	-.652	315	623	-.142	.075	.091	-.495
315	437	-.196	.200	.472	-1.109	315	529	-.390	.090	-.125	-.927	315	624	-.142	.070	.043	-.425
315	438	-.090	.221	.459	-.966	315	530	-.372	.075	-.158	-.746	315	625	-.189	.093	.348	-.662
315	439	.012	.163	.367	-.767	315	531	-.353	.068	-.092	-.734	315	626	-.177	.099	.267	-.597
315	440	.042	.102	.298	-.511	315	532	-.415	.088	-.125	-.890	315	627	-.097	.082	.145	-.433
315	441	.043	.085	.345	-.578	315	533	-.330	.132	-.086	-.819	315	628	-.035	.068	.222	-.309
315	442	.045	.068	.296	-.306	315	534	-.238	.145	-.296	-.761	315	629	-.036	.055	.153	-.256
315	443	.000	.061	.201	-.250	315	535	-.320	.169	-.399	-.809	315	630	-.033	.051	.144	-.215
315	444	.068	.060	.141	-.312	315	536	-.653	.122	-.241	-1.050	315	631	-.045	.051	.128	-.217
315	445	.145	.064	.062	-.402	315	537	-.647	.130	-.179	-1.098	315	632	-.080	.048	.104	-.239
315	446	.092	.174	.516	-.951	315	538	-.389	.092	-.145	-1.020	315	633	-.147	.037	.065	-.331
315	447	.059	.169	.493	-.970	315	539	-.361	.084	-.126	-.862	315	634	-.155	.111	.646	-.736
315	448	.015	.125	.402	-.607	315	540	-.414	.091	-.145	-1.070	315	635	-.151	.119	.603	-.833
315	449	.045	.114	.367	-.447	315	541	-.325	.168	-.247	-.856	315	636	-.041	.082	.229	-.449
315	450	.076	.098	.378	-.450	315	542	-.210	.187	-.246	-1.010	315	637	-.021	.060	.183	-.226
315	451	.074	.087	.336	-.328	315	543	-.245	.211	-.336	-.848	315	638	-.014	.032	.176	-.201
315	452	.063	.081	.347	-.345	315	544	-.647	.126	-.288	-1.103	315	639	-.010	.051	.185	-.180
315	453	.074	.074	.385	-.199	315	545	-.646	.143	-.088	-1.113	315	640	-.020	.056	.220	-.208
315	454	.082	.070	.388	-.178	315	546	-.649	.148	-.076	-1.158	315	641	-.112	.133	.150	-.769
315	455	.064	.070	.380	-.174	315	547	-.440	.093	-.147	-.799	315	642	-.325	.124	.937	-.061
315	456	.044	.069	.335	-.201	315	548	-.433	.086	-.118	-.772	315	643	-.294	.122	.874	-.032
315	457	.017	.072	.308	-.213	315	549	-.311	.086	-.056	-.770	315	644	-.257	.110	.707	-.007
315	458	.010	.079	.346	-.287	315	550	-.481	.100	-.128	-.808	315	645	-.247	.113	.709	-.002
315	501	.064	.074	.407	-.429	315	551	-.595	.124	-.152	-1.024	315	646	-.174	.111	.559	-.171
315	502	.053	.062	.265	-.121	315	552	-.714	.119	-.338	-1.238	315	647	-.232	.076	.555	-.007
315	503	.062	.099	.433	-.476	315	553	-.827	.183	-.338	-1.798	315	648	-.239	.085	.582	-.009
315	504	.052	.062	.326	-.151	315	554	-.762	.171	-.278	-1.384	315	649	-.243	.090	.630	-.009
315	505	.062	.128	.576	-.718	315	555	-.993	.295	-.324	-2.427	315	650	-.328	.097	.647	-.014
315	506	.087	.104	.236	-.617	315	600	-.188	.074	-.035	-.511	315	651	-.140	.086	.545	-.094
315	507	.314	.064	-.119	-.650	315	601	-.194	.101	-.088	-1.035	315	652	-.266	.090	.688	-.059
315	508	.298	.068	-.106	-.645	315	602	-.225	.111	-.042	-.813	315	653	-.270	.093	.692	-.073
315	509	.307	.058	-.130	-.536	315	603	-.174	.108	-.166	-.711	315	654	-.247	.089	.635	-.081
315	510	.315	.056	-.154	-.536	315	604	-.278	.141	-.125	-.712	315	655	-.124	.063	.382	-.046
315	511	.000	.064	-.084	-.548	315	605	-.318	.123	-.002	-.824	315	701	-.600	.265	-.028	-1.964
315	512	.300	.062	-.104	-.630	315	606	-.450	.133	-.071	-1.005	315	702	-.381	.124	-.017	-.896
315	513	.312	.063	-.118	-.622	315	607	-.425	.144	-.036	-.932	315	703	-.329	.077	-.043	-.633
315	514	.288	.062	-.022	-.501	315	608	-.410	.151	-.153	-.945	315	704	-.318	.072	-.041	-.619
315	515	.294	.058	-.104	-.474	315	609	-.359	.180	-.237	-.993	315	705	-.327	.077	-.078	-.660
315	516	.260	.055	-.072	-.447	315	610	-.166	.093	-.249	-.606	315	706	-.540	.149	-.164	-1.178
315	517	.260	.060	-.032	-.492	315	611	-.045	.100	-.386	-.370	315	707	-.427	.121	-.109	-1.276
315	518	.276	.064	-.069	-.523	315	612	-.002	.104	-.391	-.348	315	708	-.369	.094	-.094	-.754
315	519	.280	.066	-.010	-.509	315	613	-.044	.135	-.531	-.374	315	709	-.512	.144	-.132	-1.066
315	520	.220	.057	-.022	-.371	315	614	-.073	.127	-.303	-.709	315	710	-.460	.150	-.047	-1.083
315	521	.234	.058	-.015	-.404	315	615	-.234	.119	-.167	-.756	315	711	-.419	.133	-.050	-1.007
315	522	.052	.057	-.052	-.414	315	616	-.191	.127	-.145	-.797	315	712	-.479	.182	-.024	-1.198
315	523	.055	.060	-.114	-.418	315	617	-.100	.092	-.183	-.416	315	713	-.334	.126	-.080	-.853
315	524	.260	.062	-.100	-.441	315	618	-.074	.079	-.158	-.377	315	714	-.288	.090	-.014	-.631
315	525	.381	.087	-.090	-.751	315	619	-.054	.073	-.162	-.396	315	715	-.071	.174	-.478	-.701

APPENDIX A -- PRESSURE DATA: MAIN PLACE HOTEL -- CONF. B -- DALLAS , TEXAS

WD	TAP	CPMEAN	CPRMS	CPMAX	CPMIN	WD	TAP	CPMEAN	CPRMS	CPMAX	CPMIN	WD	TAP	CPMEAN	CPRMS	CPMAX	CPMIN
11555	717	103	103	303	463	330	19	279	102	466	330	69	194	064	074	359	
11555	718	285	093	043	694	330	20	286	110	551	330	70	206	064	069	377	
11555	719	039	181	500	578	330	21	262	053	465	330	71	209	065	077	386	
11555	720	127	112	269	509	330	22	275	060	477	330	72	208	067	099	399	
11555	721	270	099	064	555	330	23	255	057	506	330	73	199	069	065	413	
11555	722	007	163	519	517	330	24	268	057	504	330	74	216	059	007	418	
11555	723	080	121	426	450	330	25	279	056	511	330	75	240	056	007	443	
11555	724	212	110	281	624	330	26	291	055	542	330	76	275	052	067	503	
11555	725	094	122	319	468	330	27	284	065	594	330	77	290	054	022	503	
11555	726	059	136	400	507	330	28	305	067	624	330	78	298	049	106	462	
11555	727	151	102	195	559	330	29	317	067	625	330	79	283	049	086	460	
11555	728	148	102	324	502	330	30	328	060	560	330	80	283	067	074	721	
11555	729	214	093	168	882	330	31	304	060	526	330	81	285	068	057	770	
11555	730	284	117	178	933	330	32	317	058	543	330	82	294	066	084	746	
11555	731	333	094	066	449	330	33	321	058	545	330	83	290	066	086	620	
11555	732	337	112	014	800	330	34	319	055	548	330	84	291	066	064	588	
11555	733	348	100	005	889	330	35	285	052	508	330	85	280	066	002	676	
11555	734	377	121	002	884	330	36	287	047	478	330	86	283	057	052	464	
11555	735	367	116	045	000	330	37	287	046	443	330	87	268	055	077	415	
11555	736	342	093	121	807	330	38	285	047	441	330	88	255	055	077	432	
11555	737	401	162	055	308	330	39	271	059	444	330	89	234	052	044	417	
11555	738	355	144	099	000	330	40	286	060	450	330	90	248	052	069	400	
11555	739	326	093	092	508	330	41	255	056	467	330	91	235	051	044	390	
11555	740	339	172	158	239	330	42	273	055	474	330	92	234	046	042	373	
11555	741	344	140	178	896	330	43	282	054	493	330	93	218	046	027	350	
11555	742	331	092	090	740	330	44	293	056	532	330	94	239	048	000	395	
11555	743	336	184	125	779	330	45	292	064	603	330	95	239	047	035	376	
11555	744	378	171	190	017	330	46	323	072	781	330	96	247	045	077	395	
11555	745	410	152	081	214	330	47	323	066	695	330	97	238	043	084	382	
11555	746	391	111	060	821	330	48	322	066	704	330	98	269	046	069	432	
11555	747	114	056	000	255	330	49	315	064	639	330	99	276	042	116	403	
11555	748	339	056	142	022	330	50	329	064	622	330	100	298	060	072	565	
11555	1	260	062	047	492	330	51	333	061	632	330	101	271	053	089	498	
11555	2	283	064	065	508	330	52	336	066	631	330	102	291	053	116	497	
11555	3	273	064	043	555	330	53	306	060	621	330	103	283	053	052	746	
11555	4	281	067	062	592	330	54	306	054	601	330	104	280	056	062	592	
11555	5	263	064	063	616	330	55	294	044	470	330	105	254	054	023	434	
11555	6	277	062	074	564	330	56	287	045	470	330	106	316	095	062	803	
11555	7	286	059	102	480	330	57	271	049	445	330	107	334	096	072	895	
11555	8	301	058	099	505	330	58	284	050	471	330	108	307	098	022	620	
11555	9	285	061	086	589	330	59	282	050	461	330	109	282	078	007	548	
11555	10	302	060	111	522	330	60	279	059	477	330	110	302	078	020	699	
11555	11	310	059	118	534	330	61	268	061	521	330	111	298	082	020	687	
11555	12	307	059	030	442	330	62	286	062	582	330	112	281	069	030	546	
11555	13	300	055	122	808	330	63	273	061	484	330	113	252	059	020	493	
11555	14	309	055	104	443	330	64	248	061	413	330	114	269	053	091	479	
11555	15	310	053	139	525	330	65	216	061	397	330	115	255	053	077	489	
11555	16	307	051	126	498	330	66	219	064	384	330	116	247	053	039	459	
11555	17	276	051	111	481	330	67	214	067	386	330	117	220	051	012	358	
11555	18	280	051	109	497	330	68	215	058	358	330	118	238	044	069	366	

APPENDIX A -- PRESSURE DATA: MAIN PLACE HOTEL -- CONF. B -- DALLAS , TEXAS

WD	TAP	CP	MEAN	CPRMS	CPMAX	CPMIN	WD	TAP	CP	MEAN	CPRMS	CPMAX	CPMIN	WD	TAP	CP	MEAN	CPRMS	CPMAX	CPMIN
330	119	234	.052	.017	.381	330	169	220	.066	.058	.505	330	303	335	.135	.758	.118			
330	120	223	.055	.015	.373	330	170	227	.061	.000	.449	330	304	356	.136	.825	.059			
330	121	213	.054	.044	.360	330	171	251	.061	.071	.449	330	305	339	.135	.910	.088			
330	122	242	.047	.062	.378	330	172	244	.064	.059	.429	330	306	351	.133	.770	.054			
330	123	244	.052	.020	.403	330	173	260	.065	.059	.496	330	307	370	.148	.856	.046			
330	124	253	.054	.012	.412	330	174	260	.067	.029	.492	330	308	446	.161	.907	.034			
330	125	252	.054	.020	.446	330	175	261	.080	.125	.669	330	309	436	.167	.937	.025			
330	126	316	.051	.166	.598	330	176	228	.088	.132	.534	330	310	351	.152	.880	.193			
330	127	297	.062	.030	.613	330	177	219	.105	.417	.534	330	311	.212	.109	.610	.080			
330	128	288	.039	.069	.721	330	178	294	.097	.018	.684	330	312	.366	.132	.859	.037			
330	129	267	.063	.035	.809	330	179	296	.094	.102	.808	330	313	.414	.141	.894	.040			
330	130	290	.050	.128	.796	330	180	270	.092	.091	.713	330	314	.499	.141	.985	.070			
330	131	273	.068	.010	.974	330	181	266	.097	.054	.953	330	315	.519	.143	.924	.084			
330	132	422	.195	.064	.000	330	182	277	.115	.056	.081	330	316	.532	.148	.938	.124			
330	133	442	.138	.054	.000	330	183	261	.106	.029	.979	330	317	.551	.152	.961	.123			
330	134	355	.123	.114	.798	330	184	215	.075	.033	.468	330	318	.568	.163	.912	.100			
330	135	319	.114	.084	.399	330	185	239	.078	.079	.694	330	319	.528	.162	.993	.008			
330	136	300	.120	.086	.829	330	186	255	.077	.029	.526	330	320	.343	.148	.862	.159			
330	137	270	.101	.074	.688	330	187	280	.082	.030	.676	330	321	.194	.113	.557	.150			
330	138	299	.084	.020	.666	330	188	277	.088	.030	.699	330	322	.375	.121	.770	.054			
330	139	277	.072	.037	.666	330	189	206	.091	.221	.518	330	323	.425	.129	.847	.084			
330	140	268	.068	.000	.555	330	190	240	.089	.111	.650	330	324	.469	.134	.934	.124			
330	141	243	.066	.027	.511	330	191	256	.081	.039	.546	330	325	.515	.142	.998	.152			
330	142	253	.068	.012	.494	330	192	246	.080	.100	.518	330	326	.552	.139	.070	.176			
330	143	252	.062	.002	.399	330	193	263	.079	.011	.552	330	327	.556	.143	.054	.166			
330	144	198	.066	.069	.400	330	194	003	.110	.354	.431	330	328	.526	.145	.000	.134			
330	145	187	.062	.035	.368	330	195	.165	.149	.277	.972	330	329	.466	.143	.923	.077			
330	146	209	.073	.077	.418	330	196	.013	.108	.386	.553	330	330	.285	.149	.762	.213			
330	147	197	.078	.111	.466	330	197	.032	.086	.329	.577	330	331	.132	.104	.528	.199			
330	148	194	.078	.230	.492	330	198	.046	.077	.246	.411	330	332	.279	.114	.693	.033			
330	149	182	.061	.047	.399	330	199	.042	.072	.250	.298	330	333	.327	.118	.732	.021			
330	150	219	.072	.222	.489	330	200	.298	.104	.023	.939	330	334	.365	.124	.805	.062			
330	151	247	.072	.138	.482	330	201	.322	.119	.031	.210	330	335	.411	.131	.916	.109			
330	152	327	.105	.037	.936	330	202	.316	.110	.009	.835	330	336	.447	.138	.971	.105			
330	153	296	.089	.000	.705	330	203	.318	.100	.002	.772	330	337	.472	.148	.013	.098			
330	154	281	.089	.032	.776	330	204	.314	.093	.041	.843	330	338	.491	.141	.940	.126			
330	155	287	.105	.036	.271	330	205	.303	.102	.018	.908	330	339	.441	.141	.891	.080			
330	156	289	.132	.075	.345	330	206	.173	.116	.688	.172	330	340	.371	.131	.930	.053			
330	157	280	.140	.002	.363	330	207	.072	.087	.410	.207	330	341	.002	.093	.576	.229			
330	158	091	.111	.332	.600	330	208	.032	.087	.354	.370	330	342	.135	.065	.544	.066			
330	159	160	.142	.378	.733	330	209	.064	.086	.293	.347	330	343	.172	.057	.436	.040			
330	160	090	.129	.379	.619	330	210	.026	.071	.278	.311	330	344	.201	.056	.441	.023			
330	161	102	.111	.279	.523	330	211	.009	.073	.332	.342	330	345	.252	.069	.489	.042			
330	162	120	.095	.291	.451	330	212	.290	.121	.025	.153	330	346	.321	.094	.640	.112			
330	163	189	.083	.143	.531	330	213	.297	.105	.000	.971	330	347	.382	.119	.817	.109			
330	164	268	.073	.009	.596	330	214	.295	.114	.000	.934	330	348	.395	.132	.932	.095			
330	165	270	.068	.007	.588	330	215	.285	.111	.066	.742	330	349	.354	.130	.902	.037			
330	166	280	.070	.016	.586	330	216	.271	.118	.116	.831	330	350	.236	.117	.700	.203			
330	167	280	.078	.005	.698	330	301	.206	.108	.549	.106	330	351	.026	.082	.511	.283			
330	168	252	.066	.005	.532	330	302	.284	.119	.747	.065	330	352	.113	.064	.365	.136			

APPENDIX A -- PRESSURE DATA: MAIN PLACE HOTEL -- CONF. B -- DALLAS, TEXAS

WD	TAP	CPMEAN	CPRMS	CPMAX	CPMIN	WD	TAP	CPMEAN	CPRMS	CPMAX	CPMIN	WD	TAP	CPMEAN	CPRMS	CPMAX	CPMIN
330	353	.139	.0588	.366	-.094	330	428	.530	.171	-.017	-1.550	330	520	-.180	.072	.284	-.400
330	354	.167	.0555	.375	-.033	330	429	-.542	.206	-.121	-1.530	330	521	-.191	.075	.196	-.407
330	355	.184	.0555	.453	-.004	330	430	-.378	.237	-.224	-1.224	330	522	-.222	.066	.099	-.443
330	356	.224	.069	.507	-.035	330	431	-.244	.224	.299	-1.197	330	523	-.176	.073	.165	-.369
330	357	.278	.096	.680	.027	330	432	-.170	.175	.189	-.882	330	524	-.180	.074	.153	-.368
330	358	.358	.118	.814	.091	330	433	-.123	.136	.294	-.885	330	525	-.313	.102	.096	-.706
330	359	.395	.126	.935	.122	330	434	-.090	.107	.251	-.703	330	526	-.426	.120	.030	-.929
330	360	.245	.095	.618	.002	330	435	-.116	.087	.194	-.587	330	527	-.592	.149	-.131	-1.171
330	361	.011	.076	.378	-.225	330	436	-.174	.073	.070	-.532	330	528	-.339	.077	-.065	-.864
330	362	.121	.060	.397	-.081	330	437	-.498	.183	.034	-1.337	330	529	-.337	.072	-.048	-.658
330	363	.143	.056	.396	-.038	330	438	-.447	.208	.154	-1.332	330	530	-.332	.074	-.078	-.657
330	364	.151	.054	.363	-.027	330	439	-.336	.229	.148	-1.456	330	531	-.310	.064	.077	-.548
330	365	.158	.051	.360	-.002	330	440	-.212	.188	.227	-1.120	330	532	-.340	.102	-.035	-.878
330	366	.195	.055	.402	-.033	330	441	-.143	.143	.257	-.797	330	533	-.281	.103	.135	-.614
330	367	.233	.069	.545	.031	330	442	-.077	.104	.239	-.593	330	534	-.281	.113	.071	-.809
330	368	.246	.080	.629	.002	330	443	-.085	.085	.184	-.489	330	535	-.458	.099	.147	-.813
330	369	.069	.072	.216	-.358	330	444	-.120	.073	.194	-.557	330	536	-.565	.116	.167	-.943
330	370	.062	.074	.484	-.166	330	445	-.171	.091	.240	-.530	330	537	-.588	.126	-.089	-1.045
330	371	.148	.072	.599	-.027	330	446	-.419	.213	.043	-1.556	330	538	-.315	.072	-.051	-.696
330	372	.192	.072	.585	-.008	330	447	-.425	.218	.113	-1.588	330	539	-.305	.068	.105	-.580
330	373	.202	.067	.543	-.019	330	448	-.321	.187	.220	-1.557	330	540	-.308	.094	.053	-.737
330	374	.192	.058	.418	.010	330	449	-.239	.167	.163	-1.045	330	541	-.387	.118	.105	-.937
330	375	.191	.058	.457	.000	330	450	-.163	.145	.217	-.853	330	542	-.398	.120	.131	-.804
330	401	-.532	.130	-.115	-1.369	330	451	-.129	.129	.194	-.884	330	543	-.467	.101	-.113	-.870
330	402	-.543	.138	-.064	-1.135	330	452	-.109	.117	.203	-.958	330	544	-.521	.111	-.090	-.955
330	403	-.410	.181	-.135	-1.219	330	453	-.088	.110	.265	-.610	330	545	-.577	.141	-.176	-.184
330	404	-.282	.165	-.184	-.891	330	454	-.045	.096	.272	-.453	330	546	-.548	.152	-.168	-.033
330	405	-.189	.136	-.235	-.913	330	455	-.034	.088	.275	-.520	330	547	-.427	.113	-.100	-.856
330	406	-.134	.102	-.210	-.767	330	456	-.034	.087	.302	-.472	330	548	-.412	.099	-.079	-.806
330	407	-.148	.084	-.141	-.635	330	457	-.008	.077	.301	-.313	330	549	-.333	.096	-.023	-.724
330	408	-.176	.066	-.075	-.561	330	458	-.023	.068	.352	-.217	330	550	-.470	.108	-.145	-.998
330	409	-.198	.064	-.078	-.479	330	501	-.026	.090	.280	-1.001	330	551	-.509	.116	-.129	-.974
330	410	-.524	.131	-.154	-1.183	330	502	-.006	.059	.259	-.181	330	552	-.534	.115	-.176	-1.012
330	411	-.546	.154	-.096	-1.310	330	503	-.135	.130	.238	-1.079	330	553	-.510	.101	-.174	-.905
330	412	-.433	.199	-.138	-1.060	330	504	-.050	.053	.159	-.234	330	554	-.532	.113	-.189	-1.240
330	413	-.278	.185	-.228	-.933	330	505	-.179	.125	.180	-.888	330	555	-.484	.098	-.179	-1.015
330	414	-.158	.141	-.198	-.730	330	506	-.232	.081	.024	-.585	330	601	-.076	.062	-.123	-.373
330	415	-.122	.110	-.175	-.733	330	507	-.264	.070	.015	-.564	330	602	-.088	.061	-.083	-.513
330	416	-.133	.088	-.131	-.702	330	508	-.262	.073	.031	-.566	330	603	-.083	.064	-.134	-.521
330	417	-.156	.073	-.068	-.498	330	509	-.272	.070	-.014	-.539	330	604	-.051	.067	-.195	-.580
330	418	-.169	.059	-.031	-.446	330	510	-.283	.075	-.065	-.514	330	605	-.071	.080	-.292	-.431
330	419	-.512	.148	-.019	-1.286	330	511	-.270	.072	-.051	-.573	330	606	-.152	.120	-.119	-.779
330	420	-.539	.175	-.094	-1.253	330	512	-.268	.069	-.046	-.540	330	607	-.245	.111	-.012	-.756
330	421	-.420	.229	-.289	-1.292	330	513	-.279	.070	-.043	-.527	330	608	-.209	.104	-.043	-.689
330	422	-.249	.221	-.332	-.903	330	514	-.251	.071	-.031	-.481	330	609	-.141	.091	-.083	-.498
330	423	-.172	.180	-.189	-.884	330	515	-.251	.066	-.007	-.452	330	610	-.042	.095	-.250	-.529
330	424	-.126	.138	-.203	-.808	330	516	-.233	.064	-.108	-.438	330	611	-.132	.077	-.150	-.491
330	425	-.109	.109	-.255	-.666	330	517	-.225	.065	-.141	-.453	330	612	-.017	.075	-.276	-.385
330	426	-.103	.084	-.164	-.523	330	518	-.246	.067	-.068	-.515	330	613	-.061	.087	-.410	-.269
330	427	-.162	.070	-.115	-.592	330	519	-.275	.066	-.073	-.576	330	614	-.114	.097	-.562	-.165

APPENDIX A -- PRESSURE DATA:

MAIN PLACE HOTEL -- CONF. B -- DALLAS , TEXAS

WD	TAP	CPMEAN	CPRMS	CPMAX	CPMIN	WD	TAP	CPMEAN	CPRMS	CPMAX	CPMIN	WD	TAP	CPMEAN	CPRMS	CPMAX	CPMIN
3330	615	.082	.066	.177	.486	3330	710	.356	.154	.012	-.089	345	13	.286	.063	.099	.613
3330	616	.288	.096	.066	.695	3330	711	.330	.140	.038	-.1606	345	14	.297	.063	.111	.634
3330	617	.253	.097	.102	.681	3330	712	.326	.187	.116	-.009	345	15	.293	.061	.118	.564
3330	618	.164	.076	.039	.477	3330	713	.170	.105	.210	-.70	345	16	.222	.061	.110	.530
3330	619	.125	.062	.060	.470	3330	715	.237	.092	.171	-.253	345	17	.253	.055	.094	.472
3330	620	.110	.062	.063	.489	3330	716	.042	.087	.380	-.238	345	18	.222	.056	.074	.461
3330	621	.111	.051	.039	.354	3330	717	.118	.080	.303	-.411	345	19	.222	.057	.061	.448
3330	622	.099	.050	.048	.298	3330	718	.263	.096	.107	-.688	345	20	.222	.061	.053	.546
3330	623	.098	.057	.060	.330	3330	719	.069	.093	.476	-.122	345	21	.222	.061	.022	.433
3330	624	.076	.064	.095	.313	3330	720	.167	.090	.236	-.2503	345	22	.222	.074	.039	.608
3330	625	.290	.086	.030	.795	3330	721	.244	.112	.118	-.690	345	23	.222	.069	.034	.514
3330	626	.286	.089	.048	.704	3330	722	.062	.084	.422	-.199	345	24	.222	.068	.028	.523
3330	627	.206	.092	.046	.650	3330	723	.160	.090	.162	-.609	345	25	.222	.066	.018	.503
3330	628	.122	.070	.075	.410	3330	724	.171	.120	.212	-.607	345	26	.222	.068	.005	.539
3330	629	.103	.054	.095	.336	3330	725	.008	.073	.411	-.253	345	27	.222	.066	.022	.541
3330	630	.083	.049	.078	.291	3330	726	.032	.075	.441	-.225	345	28	.222	.067	.032	.650
3330	631	.081	.048	.122	.254	3330	727	.111	.111	.193	-.888	345	29	.222	.068	.025	.638
3330	632	.080	.055	.097	.254	3330	728	.170	.084	.193	-.554	345	30	.222	.071	.083	.594
3330	633	.113	.077	.111	.352	3330	729	.169	.099	.109	-.660	345	31	.222	.074	.052	.778
3330	634	.269	.112	.195	.995	3330	730	.205	.134	.178	-.693	345	32	.222	.074	.108	.862
3330	635	.261	.119	.159	.143	3330	731	.291	.091	.005	-.650	345	33	.222	.073	.109	.667
3330	636	.129	.095	.152	.532	3330	732	.335	.111	.005	-.850	345	34	.222	.071	.085	.763
3330	637	.097	.065	.160	.438	3330	733	.317	.099	.007	-.026	345	35	.222	.067	.058	.546
3330	638	.071	.052	.170	.316	3330	734	.313	.118	.087	-.229	345	36	.222	.063	.023	.623
3330	639	.060	.048	.175	.244	3330	735	.321	.116	.009	-.933	345	37	.222	.061	.011	.482
3330	640	.031	.049	.168	.208	3330	736	.308	.105	.000	-.033	345	38	.222	.062	.011	.542
3330	641	.109	.069	.083	.561	3330	737	.267	.164	.138	-.152	345	39	.222	.095	.012	.894
3330	642	.285	.134	.873	.039	3330	738	.236	.121	.229	-.839	345	40	.222	.087	.072	.695
3330	643	.230	.120	.749	.078	3330	739	.287	.106	.017	-.163	345	41	.222	.072	.009	.559
3330	644	.200	.101	.712	.028	3330	740	.285	.200	.190	-.546	345	42	.222	.069	.051	.556
3330	645	.180	.096	.629	.047	3330	741	.228	.121	.166	-.792	345	43	.222	.066	.057	.539
3330	646	.104	.105	.638	.202	3330	742	.277	.104	.007	-.780	345	44	.222	.070	.073	.533
3330	647	.179	.074	.561	.010	3330	743	.250	.198	.164	-.308	345	45	.222	.080	.049	.658
3330	648	.167	.069	.501	.014	3330	744	.245	.165	.180	-.044	345	46	.222	.094	.035	.887
3330	649	.171	.076	.612	.002	3330	745	.263	.130	.159	-.909	345	47	.222	.080	.077	.693
3330	650	.165	.084	.666	.093	3330	746	.311	.134	.031	-.170	345	48	.222	.081	.085	.725
3330	651	.075	.083	.441	.185	3330	747	.002	.053	.106	-.109	345	49	.222	.071	.088	.654
3330	652	.225	.081	.558	.007	3330	748	.269	.064	.074	-.503	345	50	.222	.070	.007	.678
3330	653	.212	.076	.503	.021	3330	749	.279	.089	.004	-.886	345	51	.222	.064	.011	.600
3330	654	.187	.072	.533	.026	3330	750	.288	.082	.035	-.713	345	52	.222	.070	.107	.775
3330	655	.065	.064	.383	.132	3330	751	.263	.070	.059	-.609	345	53	.222	.075	.083	.854
3330	701	.532	.251	.017	.714	3330	752	.269	.068	.075	-.597	345	54	.222	.067	.099	.583
3330	702	.288	.108	.024	.781	3330	753	.255	.071	.004	-.634	345	55	.222	.055	.104	.484
3330	703	.268	.080	.038	.569	3330	754	.273	.069	.023	-.572	345	56	.222	.059	.080	.503
3330	704	.292	.079	.024	.542	3330	755	.281	.065	.075	-.337	345	57	.222	.062	.045	.539
3330	705	.462	.087	.026	.594	3330	756	.294	.066	.055	-.600	345	58	.222	.064	.041	.569
3330	706	.334	.158	.069	.294	3330	757	.277	.066	.047	-.499	345	59	.222	.051	.022	.523
3330	707	.334	.119	.033	.816	3330	758	.297	.067	.118	-.535	345	60	.222	.071	.089	.597
3330	708	.313	.112	.014	.951	3330	759	.303	.067	.111	-.223	345	61	.222	.062	.009	.584
3330	709	.419	.160	.024	.381	3330	760	.309	.068	.069	-.533	345	62	.222	.067	.062	.680

APPENDIX A -- PRESSURE DATA:

MAIN PLACE HOTEL -- CONF. B -- DALLAS , TEXAS

WD	TAP	CPMEAN	CPRMS	CPMAX	CPMIN	WD	TAP	CPMEAN	CPRMS	CPMAX	CPMIN	WD	TAP	CPMEAN	CPRMS	CPMAX	CPMIN
345	63	254	061	050	498	345	113	220	060	034	638	345	163	164	107	269	661
345	64	219	059	178	427	345	114	229	055	050	553	345	164	326	165	361	137
345	65	177	060	090	416	345	115	220	054	055	512	345	165	329	139	234	857
345	66	193	060	062	394	345	116	209	060	007	474	345	166	342	139	028	947
345	67	168	067	168	376	345	117	180	052	016	342	345	167	358	137	026	941
345	68	166	056	041	320	345	118	188	052	037	363	345	168	322	135	014	135
345	69	146	069	252	339	345	119	191	054	099	370	345	169	272	131	034	863
345	70	176	067	205	355	345	120	180	054	089	362	345	170	277	119	055	825
345	71	161	068	247	346	345	121	169	059	083	372	345	171	282	111	063	740
345	72	159	071	311	343	345	122	186	054	046	373	345	172	269	114	238	720
345	73	139	071	225	332	345	123	190	067	186	383	345	173	295	115	193	813
345	74	174	071	205	357	345	124	198	065	091	396	345	174	304	118	007	984
345	75	193	066	247	367	345	125	220	068	055	528	345	175	316	122	072	779
345	76	244	061	069	475	345	126	309	086	071	811	345	176	328	124	203	855
345	77	265	065	064	583	345	127	285	091	025	799	345	177	330	131	223	894
345	78	261	059	032	498	345	128	254	092	052	838	345	178	333	140	097	878
345	79	245	060	028	491	345	129	238	099	057	872	345	179	336	125	005	805
345	80	278	084	034	667	345	130	267	091	011	802	345	180	300	123	051	918
345	81	269	075	044	636	345	131	242	096	103	868	345	181	310	136	055	965
345	82	271	070	053	533	345	132	273	141	278	055	345	182	364	157	071	979
345	83	271	069	016	549	345	133	292	134	252	005	345	183	422	206	051	333
345	84	252	065	055	553	345	134	240	117	194	613	345	184	203	088	089	336
345	85	246	065	030	532	345	135	210	108	195	601	345	185	227	094	198	772
345	86	250	054	080	533	345	136	178	094	266	544	345	186	235	087	057	687
345	87	241	049	028	480	345	137	188	076	197	477	345	187	285	098	223	670
345	88	218	047	052	437	345	138	278	091	014	674	345	188	308	118	033	767
345	89	207	045	023	404	345	139	252	077	034	572	345	189	167	094	200	538
345	90	215	046	016	389	345	140	233	069	011	676	345	190	205	103	232	692
345	91	203	047	007	363	345	141	219	070	016	610	345	191	190	106	271	744
345	92	183	050	102	348	345	142	229	074	021	544	345	192	227	095	289	713
345	93	178	050	053	346	345	143	192	064	096	441	345	193	275	112	076	788
345	94	193	053	030	373	345	144	165	065	089	378	345	194	332	092	487	287
345	95	193	056	142	383	345	145	166	063	071	344	345	195	032	118	467	568
345	96	190	055	071	449	345	146	187	074	121	400	345	196	031	092	506	322
345	97	190	054	044	424	345	147	170	082	142	427	345	197	006	090	494	312
345	98	221	060	089	475	345	148	132	085	241	371	345	198	014	093	391	343
345	99	241	054	016	448	345	149	127	080	188	399	345	199	014	092	390	390
345	100	266	081	014	624	345	150	164	089	123	526	345	200	316	123	096	846
345	101	239	072	023	569	345	151	212	089	129	565	345	201	353	152	002	020
345	102	247	072	037	560	345	152	345	155	140	047	345	202	338	139	032	039
345	103	240	073	051	549	345	153	319	149	181	912	345	203	313	113	016	911
345	104	253	098	034	893	345	154	310	158	198	090	345	204	326	111	014	853
345	105	230	094	048	971	345	155	340	158	169	259	345	205	371	155	014	169
345	106	291	094	027	766	345	156	377	166	217	240	345	206	131	092	506	212
345	107	295	093	021	893	345	157	419	192	136	498	345	207	111	098	536	227
345	108	276	085	052	658	345	158	001	080	292	388	345	208	063	100	441	270
345	109	259	084	044	633	345	159	019	119	519	473	345	209	038	106	510	402
345	110	266	082	025	565	345	160	023	104	429	392	345	210	032	097	414	540
345	111	258	078	007	613	345	161	016	101	494	391	345	211	040	095	408	343
345	112	241	070	032	706	345	162	060	106	501	538	345	212	262	115	072	818

APPENDIX A -- PRESSURE DATA: MAIN PLACE HOTEL -- CONF. B -- DALLAS, TEXAS

WD	TAP	CPMEAN	CPRMS	CPMAX	CPMIN	WD	TAP	CPMEAN	CPRMS	CPMAX	CPMIN	WD	TAP	CPMEAN	CPRMS	CPMAX	CPMIN
333	213	108	108	053	793	344	347	112	112	836	020	345	422	503	134	056	042
344	214	176	176	086	189	344	348	136	136	891	085	345	423	489	136	046	025
344	215	126	126	086	837	344	349	141	141	794	171	345	424	443	133	015	974
344	216	123	123	154	900	344	350	118	128	561	342	345	425	364	141	155	910
344	301	137	137	316	029	344	351	092	185	807	459	345	426	294	128	144	012
344	302	150	150	864	039	344	352	119	130	779	305	345	427	288	126	111	967
344	303	158	158	914	032	344	353	118	094	617	165	345	428	556	134	103	156
344	304	155	155	923	000	344	354	137	072	413	069	345	429	579	140	118	292
344	305	147	147	905	051	344	355	153	059	359	018	345	430	564	155	044	181
344	306	142	142	864	071	344	356	185	065	450	014	345	431	543	170	109	234
344	307	149	149	863	014	344	357	219	094	674	022	345	432	472	173	074	099
344	308	158	158	900	002	344	358	279	121	984	018	345	433	399	170	108	105
344	309	157	157	878	074	344	359	355	143	951	004	345	434	300	151	081	841
344	310	134	134	678	196	344	360	156	108	602	172	345	435	265	136	109	851
344	311	123	123	787	006	344	361	017	102	365	475	345	436	259	134	096	202
344	312	144	144	981	067	344	362	083	072	369	261	345	437	636	163	229	508
344	313	151	151	011	086	344	363	121	066	340	137	345	438	617	169	027	386
344	314	157	157	055	122	344	364	144	066	424	119	345	439	606	191	051	304
344	315	154	154	063	168	344	365	169	072	515	055	345	440	497	205	106	151
344	316	155	155	127	133	344	366	197	074	452	008	345	441	344	179	133	198
344	317	154	154	141	124	344	367	199	068	443	057	345	442	205	138	186	70
344	318	154	154	061	093	344	368	193	069	471	063	345	443	163	117	221	52
344	319	146	146	963	020	344	369	061	087	399	332	345	444	140	101	245	91
344	320	124	124	713	194	344	370	055	098	573	267	345	445	129	116	273	689
344	321	127	127	766	100	344	371	158	106	807	164	345	446	689	250	071	689
344	322	134	134	903	126	344	372	223	117	812	065	345	447	670	231	056	337
344	323	138	138	935	162	344	373	250	120	827	024	345	448	466	187	145	61
344	324	140	140	987	178	344	374	264	130	786	034	345	449	302	150	217	32
344	325	143	143	998	153	344	375	252	124	793	027	345	450	204	125	196	978
344	326	153	153	136	150	344	401	440	099	055	854	345	451	161	107	165	53
344	327	153	153	073	156	344	402	460	104	059	900	345	452	133	095	204	26
344	328	148	148	927	103	344	403	468	123	087	966	345	453	113	087	165	31
344	329	139	139	811	020	344	404	447	123	074	114	345	454	068	076	142	79
344	330	118	118	591	243	344	405	422	142	071	016	345	455	056	073	170	337
344	331	138	138	906	098	344	406	387	142	100	043	345	456	052	072	164	309
344	332	145	145	998	006	344	407	363	140	126	047	345	457	019	075	209	381
344	333	146	146	982	047	344	408	388	139	106	094	345	458	018	072	269	406
344	334	137	137	905	079	344	409	335	139	175	078	345	459	054	079	204	645
344	335	136	136	893	111	344	410	429	102	002	712	345	460	063	055	155	248
344	336	135	135	947	123	344	411	453	105	010	858	345	461	210	110	096	011
344	337	144	144	069	106	344	412	489	116	052	989	345	462	133	062	147	491
344	338	144	144	982	097	344	413	503	131	057	060	345	463	133	124	078	880
344	339	138	138	881	006	344	414	441	134	081	061	345	464	335	104	010	846
344	340	150	150	834	125	344	415	407	132	048	025	345	465	268	103	034	819
344	341	172	172	786	310	344	416	380	128	083	925	345	466	277	101	034	756
344	342	126	126	646	073	344	417	351	121	118	176	345	467	332	138	012	188
344	343	109	109	615	037	344	418	316	124	152	188	345	468	370	177	027	156
344	344	092	092	582	014	344	419	482	111	092	331	345	469	287	106	002	728
344	345	079	079	562	004	344	420	507	114	118	354	345	470	315	126	064	885
344	346	088	088	678	059	344	421	532	123	108	51	345	471	327	125	053	873

APPENDIX A -- PRESSURE DATA: MAIN PLACE HOTEL -- CONF. B -- DALLAS , TEXAS

WD	TAP	CPMEAN	CPRMS	CPMAX	CPMIN	WD	TAP	CPMEAN	CPRMS	CPMAX	CPMIN	WD	TAP	CPMEAN	CPRMS	CPMAX	CPMIN
345	514	.240	.112	.302	.704	345	607	.188	.079	.007	.603	345	655	.009	.084	.313	.211
345	515	.264	.118	.047	.849	345	608	.150	.066	.153	.317	345	701	.360	.197	.103	.450
345	516	.177	.087	.364	.577	345	609	.069	.062	.120	.309	345	702	.250	.115	.113	.743
345	517	.172	.088	.187	.749	345	610	.007	.083	.395	.241	345	703	.215	.096	.241	.578
345	518	.204	.090	.209	.712	345	611	.116	.061	.139	.410	345	704	.275	.105	.041	.723
345	519	.248	.082	.263	.836	345	612	.034	.066	.225	.299	345	705	.332	.139	.005	.007
345	520	.115	.092	.296	.362	345	613	.040	.077	.403	.238	345	706	.350	.152	.080	.065
345	521	.137	.100	.354	.587	345	614	.084	.085	.517	.208	345	707	.278	.117	.161	.055
345	522	.175	.081	.152	.655	345	615	.092	.059	.106	.320	345	708	.382	.185	.000	.288
345	523	.136	.090	.332	.573	345	616	.372	.098	.125	.823	345	709	.323	.197	.248	.290
345	524	.134	.090	.340	.429	345	617	.372	.110	.080	.937	345	710	.234	.148	.196	.293
345	525	.293	.133	.271	.868	345	618	.292	.096	.002	.777	345	711	.232	.149	.083	.321
345	526	.530	.130	.054	.191	345	619	.213	.081	.068	.591	345	712	.172	.166	.255	.237
345	527	.600	.139	.211	.127	345	620	.152	.063	.079	.466	345	713	.110	.094	.223	.451
345	528	.305	.090	.061	.774	345	621	.123	.053	.085	.344	345	715	.176	.109	.334	.580
345	529	.318	.094	.040	.741	345	622	.115	.049	.096	.311	345	716	.064	.090	.529	.181
345	530	.297	.086	.019	.652	345	623	.088	.051	.111	.292	345	717	.080	.117	.338	.568
345	531	.280	.085	.067	.629	345	624	.063	.051	.116	.292	345	718	.192	.138	.193	.695
345	532	.300	.109	.295	.024	345	625	.357	.115	.000	.200	345	719	.076	.098	.470	.274
345	533	.494	.162	.215	.165	345	626	.376	.118	.009	.109	345	720	.114	.117	.290	.593
345	534	.530	.133	.012	.038	345	627	.283	.100	.028	.848	345	721	.126	.123	.265	.674
345	535	.473	.104	.118	.877	345	628	.180	.077	.053	.566	345	722	.067	.092	.437	.244
345	536	.535	.129	.139	.016	345	629	.137	.062	.078	.476	345	723	.118	.119	.399	.638
345	537	.586	.144	.105	.062	345	630	.117	.055	.103	.339	345	724	.109	.102	.227	.466
345	538	.288	.091	.047	.954	345	631	.101	.049	.078	.292	345	725	.030	.093	.661	.326
345	539	.291	.090	.019	.872	345	632	.064	.053	.121	.262	345	726	.037	.091	.678	.216
345	540	.308	.102	.104	.059	345	633	.061	.063	.130	.307	345	727	.179	.156	.274	.118
345	541	.560	.198	.035	.736	345	634	.349	.146	.033	.198	345	728	.137	.108	.209	.631
345	542	.536	.130	.111	.977	345	635	.339	.148	.009	.184	345	729	.110	.102	.175	.623
345	543	.486	.113	.132	.877	345	636	.178	.103	.114	.663	345	730	.122	.115	.314	.643
345	544	.496	.130	.130	.993	345	637	.126	.073	.160	.472	345	731	.305	.125	.028	.024
345	545	.616	.165	.175	.343	345	638	.107	.061	.138	.367	345	732	.369	.148	.040	.955
345	546	.431	.195	.473	.008	345	639	.087	.054	.097	.278	345	733	.342	.127	.008	.863
345	547	.407	.124	.030	.891	345	640	.061	.054	.137	.297	345	734	.229	.125	.238	.774
345	548	.443	.121	.054	.038	345	641	.097	.063	.116	.410	345	735	.260	.130	.236	.896
345	549	.439	.127	.056	.076	345	642	.194	.147	.861	.501	345	736	.287	.093	.030	.819
345	550	.569	.151	.082	.071	345	643	.156	.131	.697	.365	345	737	.149	.152	.259	.226
345	551	.562	.144	.070	.000	345	644	.128	.119	.636	.338	345	738	.131	.117	.268	.646
345	552	.536	.135	.083	.217	345	645	.138	.136	.718	.266	345	739	.235	.085	.146	.688
345	553	.550	.120	.161	.039	345	646	.062	.124	.588	.404	345	740	.082	.145	.367	.720
345	554	.553	.118	.193	.975	345	647	.088	.076	.412	.239	345	741	.138	.135	.275	.690
345	555	.507	.116	.155	.830	345	648	.081	.079	.403	.265	345	742	.210	.097	.160	.659
345	601	.044	.049	.134	.264	345	649	.088	.093	.577	.183	345	743	.134	.158	.283	.822
345	602	.119	.072	.077	.510	345	650	.085	.125	.759	.256	345	744	.125	.159	.369	.095
345	603	.134	.090	.094	.812	345	651	.018	.116	.532	.311	345	745	.160	.121	.344	.608
345	604	.085	.075	.127	.501	345	652	.156	.076	.553	.028	345	746	.238	.115	.216	.781
345	605	.005	.081	.337	.333	345	653	.129	.072	.459	.033	345	747	.005	.054	.103	.128
345	606	.095	.084	.094	.608	345	654	.116	.080	.497	.080	345	748	.194	.057	.028	.382