

Segmentation strategy for the efficient analysis and design of substrate integrated waveguide directly coupled cavity filters

ISSN 1751-8725
Received on 24th April 2015
Revised on 12th September 2015
Accepted on 1st October 2015
doi: 10.1049/iet-map.2015.0284
www.ietdl.org

Juan Angel Martinez¹, Ángel Belenguer¹, Héctor Esteban² ✉, Vicente E. Boria²

¹Departamento de Ingeniería Eléctrica, Electrónica, Automática y Comunicaciones, Universidad de Castilla-La Mancha, Escuela Politécnica de Cuenca, Campus Universitario, 16071 Cuenca, Spain

²Departamento de Comunicaciones, Universidad Politécnica de Valencia, 46022 Valencia, Spain

✉ E-mail: hesteban@com.upv.es

Abstract: In this study, a new segmentation strategy is presented for the full-wave analysis of directly coupled cavity filters in substrate integrated waveguide (SIW) technology. The whole SIW filter is enclosed inside an external fictitious rectangular waveguide, which does not affect the propagation inside the SIW assuming that the SIW is well designed and there is no significant power leakage. The external rectangular waveguide allows to easily segment the structure into building blocks that are composed of circular metallic vias inside a rectangular waveguide. The generalised scattering matrix of these building blocks is obtained with highly efficient techniques specifically suited for the analysis of H-plane rectangular waveguide devices. Some building blocks are repeated along the structure, and their scattering matrix has to be computed only once. The scattering matrices of all the building blocks are cascaded and the scattering matrix of the whole filter is obtained. A SIW filter of eight coupled cavities with a bandpass response centred at 11 GHz is analysed. Results from this analysis show that the computational time has been significantly reduced when compared with other specific SIW analysis methods or with commercial general purpose software, while maintaining a good accuracy.

1 Introduction

substrate integrated waveguides (SIWs) [1–3] have proved to be a very good alternative for the implementation of many microwave devices such as couplers [4], filters [5], tunable filters [6], power dividers/combiners [7, 8], circulators [9], attenuators [10], diplexers [11], or antennas [12–14].

This new type of transmission line is formed by a dielectric substrate with two rows of metallised via-holes. These metallised holes, together with the upper and lower metallic layers of the substrate, form a synthesised waveguide that can be manufactured with standard low-cost printed-circuit tools. Hence, SIW components can be integrated inside a substrate in the same fashion as classical planar circuits, but they present the advantage for resonant circuits that their quality factors are around ten times greater than for the equivalent filter with planar technology.

Although general purpose commercial electromagnetic simulators (based on finite elements, for example) can be used for the analysis of SIW devices, these tools are not suitable for a design process where many simulations are required in order to find the optimum dimensions that fulfil the specifications. Hence, many analysis techniques of specific purpose for the analysis of SIW structures have been developed and presented in the technical literature, either based on the boundary integral-resonant mode expansion method [15], hybrid methods combining method of moments (MoM) and cylindrical eigenfunction expansion [16], hybrid methods combining MoM, mode matching (MM), and cylindrical field expansions [17], or hybrid methods combining cylindrical field expansion and MM [18, 19]. However, greater efforts can still be devoted in order to further improve the efficiency of these specific analysis methods.

A possible way to speed up the analysis of a SIW device is to use a segmentation strategy. The segmentation of a SIW device is complex because its transversal section is not constant and therefore the field distribution of the modes propagating inside the SIW structure is not constant along the propagation direction. Direct segmentation of a

SIW device would lead to building blocks that should be analysed using open-space analysis methods which are time consuming, and therefore the reduction of time achieved by the segmentation could be spoiled by the use of time-consuming methods for the analysis of each building block. For that reason some authors have enclosed the SIW device inside an external fictitious rectangular waveguide [20–23]. This external waveguide does not affect the propagation inside the SIW, assuming that the SIW is well designed and there is no significant power leakage outside the SIW (this is ensured if the design rules of [24] are observed). The existence of this external rectangular waveguide allows to easily segment the structure into building blocks that are composed now of metallic vias inside a rectangular waveguide. In [20–23], a very efficient MM technique is used in order to analyse each building block. However, the metallic vias can only be rectangular (in real SIW structures the vias are circular), and when there are several vias in one of these building blocks they must be aligned, all of them placed in the same position along the propagation direction, which makes it more difficult the design of the SIW device since the position of the vias inside the SIW structure cannot be freely decided. They must be aligned with the vias that form the lateral walls of the SIW.

In this work, a different segmentation strategy is used for analysing SIW coupled cavities filters. The purely modal, highly efficient, and very accurate technique specific for the analysis of H-plane devices in rectangular waveguides of [25] is used in order to analyse each building block and obtain its generalised scattering matrix (GSM). This method allows the analysis of circular vias (as in real SIW devices), as well as the free positioning of all the vias inside the building block. Some building blocks are repeated along the structure, and their scattering matrix has to be computed only once, thus improving the efficiency. The scattering matrices of all the building blocks are cascaded using an appropriate method (like [26] or [27]) and the scattering matrix of the whole SIW filter is finally obtained.

To test the efficiency of this new method, a SIW filter of eight coupled cavities with a bandpass response centred at 11 GHz is

analysed. Results from this analysis show that the computational time has been significantly reduced when compared with other specific SIW analysis methods, or with commercial general purpose software, while maintaining a good accuracy.

2 Segmentation strategy

To illustrate the segmentation strategy, an eight coupled cavities filter in SIW technology is to be considered. The layout of this filter is shown in Fig. 1a. For easily segmenting the filter into simple building blocks, an external rectangular waveguide, as it has already been explained, which is a fictitious and auxiliary waveguide, is to be used to enclose the SIW structure (see Fig. 1b). As it can be observed, in the input and output accessing ports, steps in the rectangular waveguide are inserted so that the whole structure is accessed with rectangular waveguides whose width a_{eq} is the width of the equivalent waveguide of the SIW line (see [2]). This ensures that the obtained circuital parameters (GSM) are related to the modes of the equivalent waveguide, which are almost identical to the modes of the SIW line.

Therefore, as shown in Fig. 1b, the whole structure can be split into three different types of building blocks. Each type of block is enclosed in a rectangular box depicted with a different intensity of grey (black for the steps between waveguides of different sections, dark grey for empty SIW lines, and light grey for the SIW irises).

Next the three types of building blocks resulting from the segmentation of the whole structure are described.

2.1 Waveguide steps

The first and the last block (blocks 1 and 21 in Fig. 1b) are simple steps in rectangular waveguide. The multimodal scattering parameters (GSM) of block 1 can be easily obtained with standard MM techniques [28]. Since block 21 is the same as block 1 but changing the order of the ports, the GSM of block 21 is the same as for block 1 but changing the position of some submatrices.

2.2 Waveguide filled with circular vias

The other two types of building blocks (SIW empty lines and SIW irises inside the external rectangular waveguide) in which the structure is divided are depicted with more detail in Fig. 2. To efficiently analyse these building blocks, the method of [25] is used. This is a highly efficient and accurate method for the

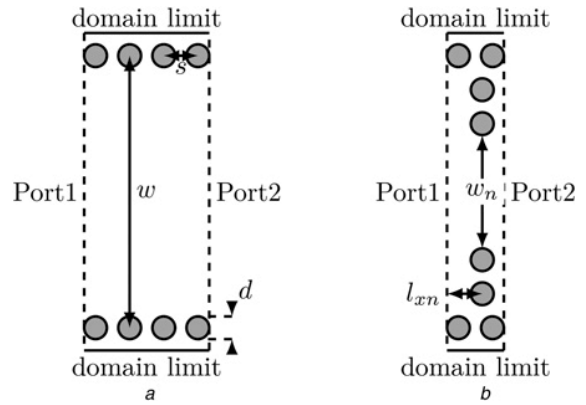


Fig. 2 Building blocks in which the SIW filter is divided

a Empty SIW line block

b Iris block

analysis of arbitrary H -plane devices in a rectangular waveguide. This method provides with the GSM of the building block using a discrete frequency sweep. It is very important for the success of the segmentation strategy that the method used to analyse each building block is a highly accurate method, such as the method of [25]. Otherwise, small errors in the computation of the GSM of each building block accumulate when cascading several GSMs, and come up with a significant error in the final GSM of the whole SIW device. It is also important that the method is highly efficient for the segmentation strategy to end up with an important reduction of the overall computational time.

Next the blocks of empty SIW lines and the blocks of SIW irises are described.

2.2.1 Block of empty SIW line: In this block as many pairs of vias as needed are placed in order to model an empty SIW line of a certain length. This type of block appears between the input port and the first iris, between the last iris and the output port, and between each pair of consecutive irises. If the number of vias is the same for two of these blocks, their GSMs are equal and need to be computed only once.

2.2.2 Block of SIW iris: This type of block houses a SIW iris. To construct the block, the vias of the iris that are closer to the middle of

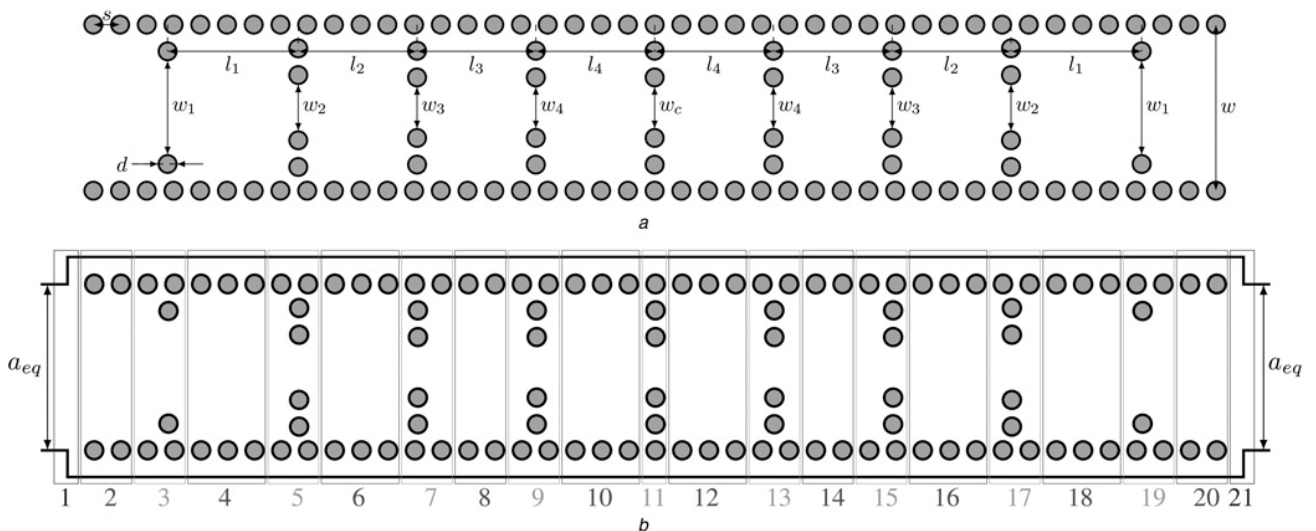


Fig. 1 SIW filter of eight coupled cavities to be analysed

a Layout and dimensions

b Segmentation of the filter enclosed in an auxiliary rectangular waveguide

the waveguide (separated a distance of w_n in Fig. 2b) are placed in the first place. Then as many vias as needed are placed between these two initial vias and the lateral walls of the SIW line. The vias that form the iris can be placed at an arbitrary distance l_{vn} (see Fig. 2b) from the input port. This distance depends on the length of the correspondent resonator cavity l_n (see Fig. 1a).

As already mentioned, in a line filter like the one in Fig. 1, there are many blocks that are equal, so their GSMs only has to be computed once. This greatly decreases the total computational time, which is mainly used for cascading the GSMs of all the building blocks, since there are little blocks whose GSM must be calculated.

Another measure to reduce computational time is to compute the GSM of the blocks until we reach the middle of the filter, if the filter is symmetric, since the second half of the filter has the same GSMs. This reduces the computational time by a factor of 2.

3 Analysis tools

The coupled cavities SIW filter has been analysed with different software tools in order to test the efficiency of the segmentation strategy presented in this work. Next, we describe these simulation tools.

3.1 Computer simulation technology (CST) studio suite

Two simulations of the filter have been performed using CST [with a finite-element method (FEM) solver]. The first simulation is a discrete simulation with 101 points in frequency between 10 and 12 GHz. The second simulation is a fast frequency sweep simulation (interpolated) with a maximum of 31 discrete samples. It is considered as a closed problem in CST and the vertical dimension is reduced at maximum (this does not affect the solution if losses are not considered).

3.2 Hybrid MoM and MM method [17]

This is the method described in [17]. With this method the whole SIW filter (blocks 2–20 in Fig. 1b) is analysed in a single step, without any segmentation. This GSM is next cascaded to the GSMs of blocks 1 and 21 in Fig. 1b. The filter is analysed with 101 discrete frequency points, and it is also analysed using a fast frequency sweep based on complex frequency hopping. In [17], two fast frequency sweep schemes are described, one based on the asymptotic wave expansion (AWE), and the other based on complex frequency hopping (CFH). The first one (based on AWE), is suitable for narrow band responses. In this case, the filter has a 10% bandwidth, and the AWE technique is not accurate enough, so the CFH technique has been used, although it is not as fast as AWE.

3.3 New method with segmentation

The SIW filter is enclosed in the external waveguide (as it has been done with CST). Next it is segmented as shown in Fig. 1b, and all the GSMs of the basic building blocks have been computed using 31 modes in each accessing port of the external waveguide. The method of [25] is used for the computation of all the building blocks (blocks 2–20 in Fig. 1b) except for the first and last blocks where MM has been used [28]. The 101 frequency points are computed (without any fast frequency sweep).

4 Results

The validity of this new segmentation strategy has been tested using the new simulation tool for the design of a coupled cavities filter with eight resonant cavities (see Fig. 1a). The filter is designed for a Rogers 4003C substrate ($\epsilon_r = 3.55$, and height of 1.524 mm), and

Table 1 Dimensions for the filter of Fig. 1a

| | | |
|-------------------|-------------------|-------------------|
| $L_1 = 8.2821$ mm | $w = 10.8430$ mm | $w_4 = 4.1763$ mm |
| $L_2 = 9.3734$ mm | $w_1 = 6.1832$ mm | $w_c = 4.1534$ mm |
| $L_3 = 9.6392$ mm | $w_2 = 4.6753$ mm | $s = 1.5$ mm |
| $L_4 = 9.6943$ mm | $w_3 = 4.2710$ mm | $d = 1$ mm |

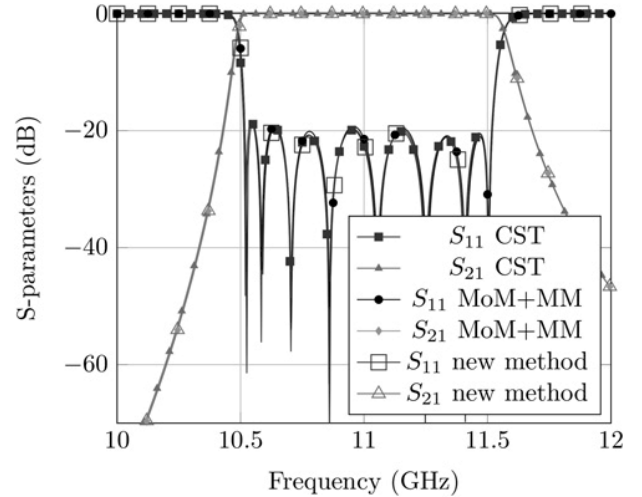


Fig. 3 Analysis of the eight coupled cavities SIW filter with the method of [17] (MoM+MM), with CST (FEM solver), and with the new segmentation technique ([25] and cascade connection)

for a central frequency of 11 GHz and a bandwidth of 1 GHz. The dimensions for this filter are presented in Table 1.

The filter has been analysed using all the analysis tools described in Section 3, in order to test the accuracy and efficiency of the new proposed segmentation method.

The accuracy is first tested comparing the scattering parameters of the filters calculated with each one of the analysis tools. Results of this comparison are depicted in Fig. 3. It can be observed that all the curves are in excellent agreement, so the accuracy of the new method has been successfully tested.

The efficiency of the segmentation technique is next tested comparing the computational time required to analyse the filter by each one of the analysis tools. The comparison is shown in Table 2. As it can be observed, with new method the simulation time is only 34 s, whereas with the method of [17] with discrete sweep the simulation time is 313 s. This means that the cost of the new method is only the 11% of the cost of [17] with discrete sweep. With the fast frequency sweep, the method of [17] takes 129 s. Comparing with this method the segmentation requires only 26% of such time. However, if some fast frequency sweep scheme was applied to the new segmentation technique, this computational effort could be further reduced. Finally, when compared with CST, the new method takes only 5% of the time required by CST with discrete sweep, and only 13% of the time required by CST with a fast frequency sweep scheme. For the CST simulations, the default values in CST 2014 have been used for the initial tetrahedral mesh (four cells per wavelength in the model and in the background). The mesh has been refined for the central

Table 2 Cost comparison

| CST | | Hybrid MoM–MM [17] | | Segmentation (with [25]) |
|----------|-------|--------------------|-------|--------------------------|
| Discrete | Fast | Discrete | CFH | |
| 655 s | 267 s | 313 s | 129 s | 34 s |

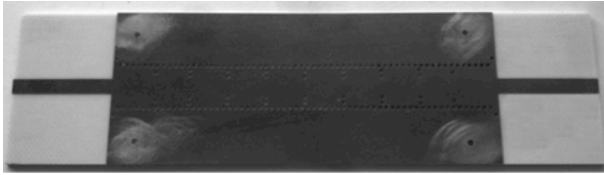


Fig. 4 Manufactured SIW eight coupled cavities filter

frequency of the passband (11 GHz) with an adaptive mesh scheme with a maximum of 25 passes and a convergence criteria of 0.0025 of S -parameter threshold and 0.001 of portmode k_z/k_0 threshold. This refinement scheme has resulted in 11,007 tetrahedrons for a filter of order 3 and 37, 667 tetrahedrons for the filter of order 8 of Fig. 1a. To obtain a mesh as reduced as possible, and taking into account that the analysed devices and the fields are invariant in height, the vertical dimension has been reduced so that only a tetrahedron is required to mesh the filter along the vertical dimension. In this case, a filter centred at 11 GHz and designed for a substrate with relative permittivity of 3.55, a vertical dimension of 0.2 mm accomplishes this objective.

As already been discussed, the simulation time required by the new method for the filter of Fig. 1a is 33 s. This time is obtained when the scattering matrix of the empty SIW line blocks that appear in the structure more than once are only calculated once, and this scattering matrix is reused. Since the time required for calculating the scattering matrix of an empty SIW line block is reduced, the doubt arises as whether it might be worth reusing these matrices or not. Hence, we have simulated without reusing the scattering matrix of repeated elements, but the simulation time when all the scattering matrices are calculated separately is 48 s. Therefore, there is indeed a significant time reduction, thanks to the reuse of the scattering matrices of repeated empty SIW line blocks. Probably this is due to the fact that although the simulation time of the scattering matrix of an empty SIW line is reduced, the computational cost of the remaining parts (other blocks, cascading of matrices) is also quite small.

To test that the SIW filter with eight coupled cavities has been properly designed, and that the new numeric technique is accurate, the filter has been manufactured and measured with a network analyser. The final manufactured prototype can be seen in Fig. 4. The comparison between simulation (without considering losses) and measurement is shown in Fig. 5. As it can be appreciated, and

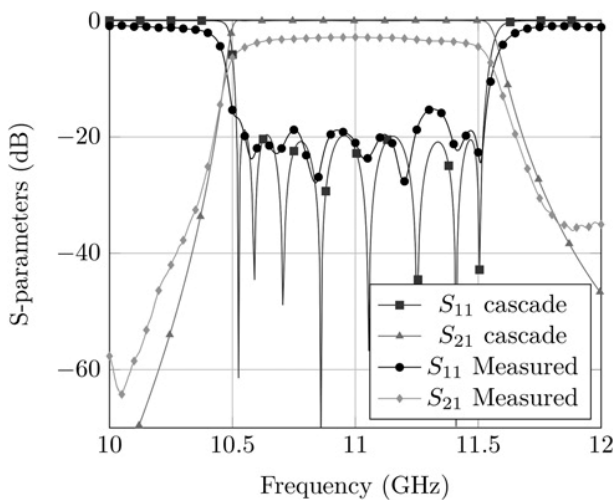


Fig. 5 Comparison between simulation and measurements for the manufactured SIW filter

Table 3 Comparison of the design times for filters with different number of cavities with the new method

| Order | Design time, s |
|-------|----------------|
| 3 | 3,114.70 |
| 4 | 6,990.12 |
| 5 | 6,433.50 |
| 6 | 12, 273.85 |
| 7 | 13, 660.07 |
| 8 | 27, 453.48 |

Table 4 Comparison of the simulation times for filters with different number of cavities and with different analysis methods

| Order | Analysis time, s | | | | New method |
|-------|------------------|------|----------|--------|------------|
| | CST | | [17] | | |
| | Discrete | Fast | Discrete | CFH | |
| 3 | 215 | 58 | 72.35 | 20.35 | 15.74 |
| 4 | 370 | 94 | 113.50 | 57.88 | 17.93 |
| 5 | 473 | 144 | 161.84 | 68.33 | 18.07 |
| 6 | 485 | 137 | 206.81 | 96.95 | 32.47 |
| 7 | 600 | 205 | 257.05 | 104.44 | 29.23 |
| 8 | 655 | 267 | 313.01 | 128.67 | 33.68 |

neglecting losses, there is a great coincidence between simulation and measurements, so the accuracy of the new simulation tool has been validated.

For a more complete validation, the new method has also been applied for the design of SIW filters with different number of resonant cavities. Table 3 shows the design time required for the design of each one of the filters (from three to eight resonant cavities) with the new method. The initial point has been obtained using standard techniques for the synthesis of online filters based on the equivalent network with resonators and inverters [29]. The same designs could have been obtained with the other simulators of Table 2 (CST, [17]), but the design time would have been substantially increased more or less in the same proportion as the computation time is increased for one simulation.

To test how much the simulation time is increased using other simulators, the final design obtained after the optimisation process for each filter (from three to eight resonant cavities) has also been simulated with CST and the method of [17]. Results are shown in Table 4 and in Fig. 6.

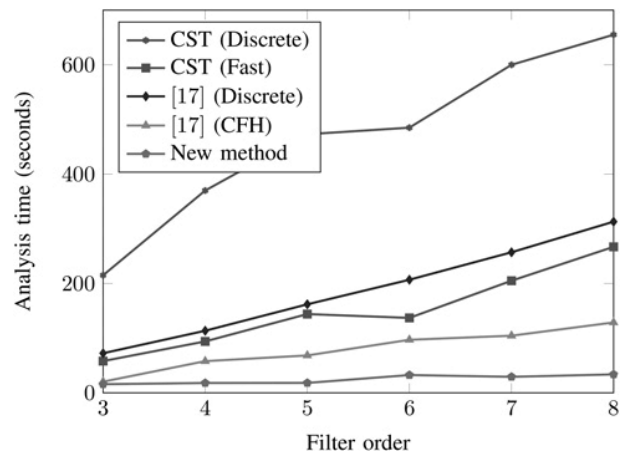


Fig. 6 Comparison of the simulation times for filters with different number of cavities and with different analysis methods

5 Conclusions

A new strategy for the efficient analysis of coupled cavities SIW filters based on segmentation into simple building blocks has been presented.

The accuracy of the method proposed in this work has been validated comparing with CST and with the method of [17] for an eight coupled cavities SIW filter. The computational time has also been compared, proving the better efficiency of the new method. All simulations were in good agreement. The new method has also been validated by manufacturing and measuring the filter designed for benchmarking.

The accuracy and efficiency of the new method makes it a good candidate for the design of this type of SIW filters, as well as for other in-line SIW filters where the same segmentation strategy can also be applied.

6 Acknowledgment

This work was funded by the *Ministerio de Economía y Competitividad* of the Spanish Government under the project number TEC2013-47037-C5-1-R.

7 References

- Deslandes, D., Wu, K.: 'Integrated microstrip and rectangular waveguide in planar form', *IEEE Microw. Wirel. Compon. Lett.*, 2001, **11**, (2), pp. 68–70
- Cassivi, Y., Perregrini, L., Arcioni, P., *et al.*: 'Dispersion characteristics of substrate integrated rectangular waveguide', *IEEE Microw. Wirel. Compon. Lett.*, 2002, **12**, (9), pp. 333–335
- Deslandes, D., Wu, K.: 'Single-substrate integration technique of planar circuits and waveguide filters', *IEEE Trans. Microw. Theory Tech.*, 2003, **51**, (2), pp. 593–596
- Chen, J.-X., Hong, W., Hao, Z.-C., *et al.*: 'Development of a low cost microwave mixer using a broad-band substrate integrated waveguide (SIW) coupler', *IEEE Microw. Wirel. Compon. Lett.*, 2006, **16**, (2), pp. 84–86
- Hao, Z.-C., Hong, W., Chen, J.-X., *et al.*: 'Compact super-wide bandpass substrate integrated waveguide (SIW) filters', *IEEE Trans. Microw. Theory Tech.*, 2005, **53**, (9), pp. 2968–2977
- Sekar, V., Armendariz, M., Entesari, K.: 'A 1.2-1.6-GHz substrate-integrated-waveguide RF MEMS tunable filter', *IEEE Trans. Microw. Theory Tech.*, 2011, **59**, (4), pp. 866–876
- Hui, J., Feng, W., Che, W.: 'Balun bandpass filter based on multilayer substrate integrated waveguide power divider', *Electron. Lett.*, 2012, **48**, (10), pp. 571–573
- Djerfati, T., Hammou, D., Tatu, S., *et al.*: 'Bi-layered substrate integrated waveguide Wilkinson power divider/combiner'. *IEEE MTT-S Int. Microwave Symp. Digest (IMS)*, 2013
- Shi, Z., Shao, Z.: 'Design of ka-band substrate integrated waveguide circulator'. *Int. Conf. on Computational Problem-Solving (ICCP)*, 2010
- Xu, R.F., Farrall, A., Young, P.: 'Analysis of loaded substrate integrated waveguides and attenuators', *Microw. Wirel. Compon. Lett.*, 2014, **24**, (1), pp. 62–64
- Cheng, F., Lin, X., Song, K., *et al.*: 'Compact diplexer with high isolation using the dual-mode substrate integrated waveguide resonator', *Microw. Wirel. Compon. Lett.*, 2013, **23**, (9), pp. 459–461
- Yan, L., Hong, W., Hua, G., *et al.*: 'Simulation and experiment on SIW slot array antennas', *IEEE Microw. Wirel. Compon. Lett.*, 2004, **14**, (9), pp. 446–448
- Henry, M., Free, C., Izqueirdo, B., *et al.*: 'Millimeter wave substrate integrated waveguide antennas: design and fabrication analysis', *IEEE Trans. Adv. Packag.*, 2009, **32**, (1), pp. 93–100
- Yang, T.Y., Hong, W., Zhang, Y.: 'Wideband millimeter-wave substrate integrated waveguide cavity-backed rectangular patch antenna', *IEEE Antennas Wirel. Propag. Lett.*, 2014, **13**, pp. 205–208
- Bozzi, M., Perregrini, L., Wu, K.: 'Modeling of losses in substrate integrated waveguide by boundary integral-resonant mode expansion method'. *IEEE MTT-S Int. Microwave Symp. Digest*, 2008, June 2008, pp. 515–518
- Wu, X., Kishk, A.: 'Hybrid of method of moments and cylindrical eigenfunction expansion to study substrate integrated waveguide circuits', *IEEE Trans. Microw. Theory Tech.*, 2008, **56**, (10), pp. 2270–2276
- Belenguier, A., Esteban, H., Diaz, E., *et al.*: 'Hybrid technique plus fast frequency sweep for the efficient and accurate analysis of substrate integrated waveguide devices', *IEEE Trans. Microw. Theory Tech.*, 2011, **59**, (3), pp. 552–560
- Caballero, E.D., Esteban, H., Belenguier, A., *et al.*: 'Efficient analysis of substrate integrated waveguide devices using hybrid mode matching between cylindrical and guided modes', *IEEE Trans. Microw. Theory Tech.*, 2012, **60**, (2), pp. 232–243
- Casaletti, M., Sauleau, R., Ertorre, M., *et al.*: 'Efficient analysis of metallic and dielectric posts in parallel-plate waveguide structures', *IEEE Trans. Microw. Theory Tech.*, 2012, **60**, (10), pp. 2979–2989
- Bornemann, J., Taringou, F.: 'Substrate-integrated waveguide filter design using mode-matching techniques'. *41st European Microwave Conf. (EuMC)*, 2011, October 2011, pp. 1–4
- Kordiboroujeni, Z., Taringou, F., Bornemann, J.: 'Efficient mode-matching design of substrate-integrated waveguide filters'. *42nd European Microwave Conf. (EuMC)*, 2012, October 2012, pp. 253–256
- Kordiboroujeni, Z., Bornemann, J.: 'Mode matching design of substrate integrated waveguide diplexers'. *IEEE MTT-S Int. Microwave Symp. Digest (IMS)*, 2013, June 2013, pp. 1–3
- Kordiboroujeni, Z., Bornemann, J., Sieverding, T.: 'K-band substrate integrated waveguide t-junction diplexer design by modematching techniques'. *Asia-Pacific Microwave Conf. (APMC)*, 2014, November 2014, pp. 1297–1299
- Xu, F., Wu, K.: 'Guided-wave and leakage characteristics of substrate integrated waveguide', *IEEE Trans. Microw. Theory Tech.*, 2005, **53**, (1), pp. 66–73
- Belenguier, A., Esteban, H., Boria, V.E., *et al.*: 'Highly efficient heterogeneous modal superposition method for the full-wave analysis of arbitrarily shaped H-plane structures fed through rectangular waveguides', *IET Microw. Antennas Propag.*, 2011, **5**, (7), pp. 747–755
- Stock, D., Kaplan, L.: 'A comment on the scattering matrix of cascaded 2n-ports (correspondence)', *IRE Trans. Microw. Theory Tech.*, 1961, **9**, (5), pp. 454–454
- Belenguier, A., Caballero, E.D., Esteban, H., *et al.*: 'Krylov's solver based technique for the cascade connection of multiple n-port multimodal scattering matrices', *IEEE Trans. Microw. Theory Tech.*, 2013, **61**, (2), pp. 720–726
- Reiter, J., Arndt, F.: 'Rigorous analysis of arbitrarily shaped H- and E-plane discontinuities in rectangular waveguides by a full-wave boundary contour mode-matching method', *IEEE Trans. Microw. Theory Tech.*, 1995, **43**, (4), pp. 796–801
- Matthaei, G.L., Young, L., Jones, E.M.T.: 'Microwave filters, impedance-matching networks, and coupling structures' (McGraw-Hill, 1964)