

RESEARCH ARTICLE

Masculinity norms and occupational role orientations in men treated for depression

Reinhold Kilian^{1*}, Annabel Müller-Stierlin¹, Felicitas Söhner^{1,2}, Petra Beschner³, Harald Gündel³, Tobias Staiger¹, Maja Stiawa¹, Thomas Becker¹, Karel Frasch^{1,4}, Maria Panzirsch⁴, Max Schmauß⁵, Silvia Krumm¹

1 Department of Psychiatry and Psychotherapy II, Bezirkskrankenhaus Günzburg, Ulm University, Günzburg, Germany, **2** Department of the History, Philosophy and Ethics of Medicine, Centre for Health and Society, Düsseldorf University, Düsseldorf, Germany, **3** Department of Psychosomatic Medicine and Psychotherapy, Ulm University, Ulm, Germany, **4** Fachklinik für Psychiatrie, Psychotherapie und Psychosomatik an der Donau-Ries Klinik, Bezirkskrankenhaus Donauwörth, Donauwörth, Germany, **5** Department of Psychiatry, Psychotherapy and Psychosomatics, Bezirkskrankenhaus Augsburg, Augsburg University, Augsburg, Germany

* reinhold.kilian@uni-ulm.de



Abstract

 OPEN ACCESS

Citation: Kilian R, Müller-Stierlin A, Söhner F, Beschner P, Gündel H, Staiger T, et al. (2020) Masculinity norms and occupational role orientations in men treated for depression. *PLoS ONE* 15(5): e0233764. <https://doi.org/10.1371/journal.pone.0233764>

Editor: Stephan Doering, Medical University of Vienna, AUSTRIA

Received: September 30, 2019

Accepted: May 13, 2020

Published: May 26, 2020

Peer Review History: PLOS recognizes the benefits of transparency in the peer review process; therefore, we enable the publication of all of the content of peer review and author responses alongside final, published articles. The editorial history of this article is available here: <https://doi.org/10.1371/journal.pone.0233764>

Copyright: © 2020 Kilian et al. This is an open access article distributed under the terms of the [Creative Commons Attribution License](https://creativecommons.org/licenses/by/4.0/), which permits unrestricted use, distribution, and reproduction in any medium, provided the original author and source are credited.

Data Availability Statement: All relevant data are within the paper and its Supporting Information files.

Purpose

A traditional male role orientation is considered to increase the risk of depression and preventing men from disclosing symptoms of mental illness and seeking professional help. Less is known about the variance of masculinity orientations in men already treated for depression and their role in the treatment process. In this study, patterns of masculinity norms and work role orientations will be identified among men treated for depression. Associations of these patterns with depressive symptoms, stigma and delay in professional help-seeking will be investigated.

Methods

In a cross-sectional study, male role orientations (MRNS), work-related attitudes (AVEM), symptoms of mental disorders (PHQ), and attitudes related to stigma of mental illness (DSS) were assessed by standardized methods in a sample of 250 men treated for depression in general medical, psychiatric and psychotherapeutic services. Data were analyzed by means of latent profile analysis (LPA), by multinomial and linear regression models, and by path analysis.

Results

The results of LPA revealed three latent classes of men treated for depression. Men assigned to class one reported a less traditional male role orientation, low professional ambitions and low coping capacities; men assigned to class two reported a traditional masculinity orientation, high professional ambitions but low coping capacities; men assigned to class three reported less traditional masculinity tended orientations, medium professional ambitions and high coping capacities. Men assigned to classes one and two to have more

Funding: The study was funded by the Deutsche Forschungsgemeinschaft (DFG) to RK (KI 792/3-1); SK (KR 3879/2-1), and HG (GU 805/2-1). The funder had no role in study design, data collection and analysis, decision to publish, or preparation of the manuscript.

Competing interests: The authors have declared that no competing interests exist.

stigmatizing attitudes, longer periods of untreated illness and more severe symptoms of mental disorders, in comparison to men assigned to class three.

Conclusions

Overall, this study reveals that traditional masculinity norms and work-role orientations in men treated for depression are associated with a worse mental health status. Our study results also suggest that a slackening of traditional masculinity norms is associated with improved psychological well-being if it does not coincide with a complete distancing from professional ambitions and a lack of ability to cope with professional stress.

Introduction

While the worldwide depression prevalence among women is about twice that in men, suicide rates among men are significantly higher than among women [1–3]. In order to explain this paradoxical relation several authors hypothesize that a majority of men affected by depression regard their symptoms as incompatible with their masculine self-image and that they are therefore reluctant to seek help which in turn increases the risk of suicide [4–9]. This hypothesis is supported by study results indicating that adherence to a traditional masculine role orientation in depressed men was found to be related to increased self-stigma, which in turn worked as a mediator toward reduced willingness to seek help [10–11]. However, there is also evidence that the associations of traditional masculinity with adverse mental health behavior vary according to the specific set of masculine norms [9]. While adherence to masculine norms of self-reliance, power over women, and sexual dominance was found to be negatively associated with mental health, conformity to masculine norm of primacy of work was not related to any mental health-related outcome. Also, sexist and homophobic male attitudes appear to be associated with greater risk of poor mental health [11–12]. Recently, a prospective study on depression among male college students revealed that endorsement of self-reliance, playboy attitude and violent masculine norms increased the risk for depression, while adherence to winning and power over women was associated with lower depressive symptoms [13].

Several authors have hypothesized that gender-specific occupational role expectations and other workplace factors interact with the mental health impact of masculine role orientations [14, 15]. However, current findings about the associations between occupational role expectations and mental health are inconclusive. While studies from several countries [15] found that men working in male-dominated occupations or industries have a higher risk of depression than men working in occupations with a lower percentage of male workforce, results from an Australian national study on male health [16] revealed no direct associations between male workforce and mental health. A detailed analysis shows that it is not the male-dominated work environment per se but particular masculine attitudes among male workers that were associated with negative effects on their mental health [16]. While a high priority attributed to work was related to better mental health, other work-related attitudes such as self-reliance, dominance over others and winning had strong negative effects [16].

In sum recent research supports the hypothesis that adherence towards a traditional image of masculinity is related to lower male well-being and mental health [9, 11] and that this association is increased in male dominated occupational environments [15, 16]. However, in their consideration of what this implies for the development and the evaluation of treatment strategies, Seidler et al. [11] have criticized a one-sided negative focus of current masculinity

concepts which, in their view, are reductionist and outdated given the changes in masculine images in modern societies. Furthermore, the authors state the need to investigate populations with clinically relevant depression [11].

The current state of research constitutes a weak basis for the development of new therapies for male depression. In particular, we do not know how different patterns of masculinity orientations are distributed in men treated for depression and how these patterns are associated with their clinical status. If a traditional masculinity orientation is a risk factor for depression, we would expect that a majority of male depressed patients hold such normative values. This expectation could be counteracted if men with traditional masculinity orientations were found to stigmatize people with mental disorders and, as a consequence, refuse professional help [17]. The interaction between traditional masculinity orientations, work related attitudes and depression symptom patterns is not well understood. Thus, it is currently unclear how noxious masculinity orientations can be dealt with in depression treatment.

In our study, we aim to address this research gap by identifying different patterns of masculinity and work role orientations in men treated for depression. We further want to investigate the associations of these patterns with stigmatization of mental illness, help-seeking behavior and the severity of psychiatric symptoms,

We expect that the results of our study will contribute to: 1. improving the knowledge about noxious and salutogenetic elements of masculinity and work-role orientations; 2. identifying specific target groups for male depression treatment with reference to types of masculinity and work role orientation; 3. developing adequate treatment techniques or settings for male depressed patients with reference to types of masculinity and work-role orientation.

Methods

Study design

This is a cross-sectional observational study on male persons who were treated for depression in psychiatric inpatient or outpatient services, with medication or psychotherapy or both at the time of the study.

Ethical approval

The study protocol was approved by the ethical board of the Medical Faculty at Ulm University under application number 202/15.

Sample

Inclusion criteria for study participation were: Male gender, age 18 to 65 years, being in treatment for depression in a psychiatric inpatient or outpatient service.

Recruitment process

In Germany outpatient treatment for depression is provided by family doctors (general practitioners), psychiatrists and psychological psychotherapists working in private practice while inpatient treatment is provided by general mental hospitals and by psychosomatic hospitals. Hospitals also provide treatment in outpatient clinics or day-hospitals. The treatment in all of these facilities is covered by the statutory health insurance for about 90% of the German population.

Psychiatric and psychosomatic hospitals provide inpatient and outpatient medical and psychotherapeutic treatment for all types of mental illness. Patients with psychotic disorders, addictions, severe depressive episodes and acute suicidal behavior are mainly treated in

psychiatric hospitals. Psychosomatic hospitals are mainly concerned with diseases in which interactions between psychological and physical factors play the central role. These include eating disorders, somatoform disorders and depressive disorders. While psychological psychotherapists are only allowed to provide psychotherapy, office-based family doctors and psychiatrists can provide pharmacological treatment and (in case of adequate qualification) also psychotherapy.

In the attempt to reach male patients with different levels of depression severity and utilizing different types of treatment, we recruited study participants in all facilities mentioned above located in two major cities (Ulm/ Neu-Ulm and Augsburg) with an overall population of about 500.000 inhabitants and in four rural districts (Neu-Ulm, Günzburg, Dillingen and Donauwörth) with a total of about 500.000 inhabitants.

Mental health care professionals from the study regions were informed about the study by a symposium held at Ulm University before study onset. We also distributed information letters to relevant service providers by ordinary mail and e-mail. Furthermore, we initiated a media campaign in the local newspapers to inform about the aims of the study and invite men in current treatment for depression or burnout to participate in the study. Subjects who were interested could contact the study team by phone or e-mail.

Professionals working in outpatient facilities who consented to support the study were provided with information material which they were asked to distribute to eligible patients. The participant information pack included information about the study and an answering form together with a prepaid envelope addressed to the study center. Having returned the study forms, patients were contacted for an appointment by study workers. Patients who agreed to meet the study worker were asked to sign the informed consent form and to complete the study questionnaires. Patients in current inpatient treatment were asked by doctors or other clinical staff whether they were willing to meet the study worker for an information meeting. During the meeting potential study participants were informed about the aims and content of the study, and they were asked to sign the informed consent form and to complete the questionnaires. Male persons who answered to the press campaign were asked if they were currently being treated for depression and 18 to 65 years old. Where this was the case, patients were asked for an appointment with the study worker. During the meeting potential participants were informed about the aims and content of the study and asked to sign the informed consent form and to complete the study questionnaires.

All participants received a sum of 30 € for their participation in the study.

Assessment instruments and procedures

All assessments were conducted by means of standardized assessment instruments with validated psychometric properties.

Male Role Norms Scale (MRNS)

The Male Role Norms Scale (MRNS) is a self-rating questionnaire measuring respondents' beliefs about male role norms by asking their agreement or disagreement with 57 statements on a 7-point Likert scale. While the MRNS was originally conceptualized to measure male role orientation along the four dimensions of "achieving status," "cultivating independence and self-confidence," "aggressiveness" and "antifemininity", [18]. Thomson and Pleck [18] identified a three-factor structure including the dimensions "status," "toughness" and "antifemininity." The three-dimensional factorial structure was also confirmed for the German version of the MRNS [19, 20]. Cronbach's alpha as reported for the German Version of the MRNS is .83 for status, .77 for toughness and .81 for antifemininity [19, 20].

Work-related behavior and experience scale (AVEM)

The Work-Related Behaviors and Experiences Pattern (AVEM = Arbeitsbezogene Verhaltens- und Erlebensmuster) is a self-rating questionnaire, measuring the following 11 dimensions:

1. subjective priority of work, 2. professional ambition, 3. over-commitment, 4. perfectionism, 5. professional distancing ability, 6. resignation tendency, 7. offensive problem management, 8. calmness/serenity, 9. experience of professional success, 10. life satisfaction, and 11. experience of social support. The AVEM consists of 66 items asking for agreement or disagreement with statements on a 5-point Likert scale. Cronbach's alpha values between .79 and .83 are reported for the AVEM subscales [21].

Depression Stigma Scale (DSS)

The Depression Stigma Scale (DSS) has two subscales measuring negative attitudes about depression (DSS Personal Stigma) and assumptions about other people's negative attitudes toward depression (DSS Perceived Stigma) [22, 23]. The original DSS consists of nine statements assessing the respondents' own attitudes and nine statements assessing the respondents' assumptions about the attitudes of other people by asking for agreement or disagreement on a 5-point Likert scale. For the purpose of our study, we added two items to assess the respondents' gender-related attitudes ("depression is a typical women's disease" and "it is unmanly to have depression") and two items to assess the respondents' assumptions about other people's gender-related attitudes about depression ("most people think that depression is a typical women's disease" and "most people think that it is unmanly to have depression"). Cronbach's alphas for the original DSS total scale and its subscales were reported as 0.78, 0.76 and 0.82, respectively [24].

Patient Health Questionnaire (PHQ-SADS)

The Patient Health Questionnaire, Somatic Anxiety, and Depressive Symptoms (PHQ-SADS) includes 9 items for assessing depressive symptoms (PHQ-9), 7 items for assessing anxiety symptoms (GAD-7) and 15 items (PHQ-15) assessing somatic symptoms [24]. Test of the psychometric properties of the PHQ subscales revealed Cronbach's alpha values of 0.89 for the PHQ-9, 0.92 for the GAD-7 and 0.80 for the PHQ-15 [24]. The PHQ-9 provides cut-off values for classifying minimal (1–4), mild (5–9), medium (6–14) and severe (15–27) depressive symptoms [24]. Since our sample includes only male participants we used the PHQ-15 without one item asking for menstruation complains.

Duration of Untreated Illness (DUI)

For estimating the Duration of Untreated Illness (DUI) we asked study participants in which year they had depressive symptoms for the first time and in which year they had first received professional treatment for these symptoms. We did not ask for the exact date of symptom or treatment onset. Therefore, years of treatment delay were calculated by (year of treatment onset–year of symptom onset).

Control variables

In order to control for confounding effects we included the following variables because of their established statistical associations with the measures used for the assessment of masculinity norms and work-role orientations [20, 21]: age, having a partner (no = 0; yes = 1), presence of children in the household (no = 0; yes = 1), higher education (general university entrance qualification = Abitur or university degree = 1; other = 0), unemployment (no = 0; yes = 1),

household income above 3.000 € (no = 0; yes = 1), blue-collar work (n = 0; yes = 1); recruitment setting (1 = psychiatric hospital; 2 = psychosomatic hospital; 3 = family doctor; 4 = press invitation). The cut-off value of 3.000 € for household income was used because the mean net household income in Germany in 2016 was about 3.300 € [25].

Statistical analyses

We conducted a latent profile analysis (LPA) for the identification of latent patterns of associations between male role norms and work-related attitudes and experiences. LPA is the extension of latent class analysis (LCA) for continuous variables. LPA is based on the assumption that statistical associations between the characteristics x_1 – x_k of a sampling unit i (e.g. a person) result from the sampling unit's belonging to the category (class) k of a latent variable θ . The generalized probability model of the LPA for continuous variables is defined as:

$$f(\mathbf{x}_i|\theta) = \sum_{k=1}^K \pi_k f_k(x_i|\theta_k)$$

where the term $f(x_i|\theta)$ indicates the class-specific density function of the distribution of the means, variances and covariances of the variables x_1 – x_k , and π_k indicates the probability of membership of the sampling unit i in the latent class k [26].

Membership probabilities were estimated by means of a maximum likelihood approach with the expectation-maximization (EM) algorithm. Sampling units were assigned to latent classes based on maximal membership probability [26, 27].

Comparative model fit was tested by means of the Akaike information criterion (AIC) and the adjusted Bayes information criterion (ABIC), whereby lower values indicate better fit [28, 29]. The maximum number of classes was determined by means of the likelihood ratio test, indicating whether a model with k classes fits the data significantly better than a model with $k-1$ classes [27]. The certainty of the class delineation is estimated by the entropy parameter, which ranges from zero to one. Values closer to one indicate better discrimination. LPA was computed using M-Plus 7.2 [30].

For the investigation of sociodemographic and mental health care characteristics related to latent class assignment, we computed a multinomial logistic regression model with assignment to the highest numbered class as reference category, including the control variables listed above.

We conducted analyses of variance (ANOVA) to test mean differences of the items included in the LPA and for symptoms of depression (PHQ-9), anxiety (GAD-7), somatization (PHQ-15), DSS personal stigma, DSS perceived stigma and DUI between latent classes. We tested the equality of variances by means of the Bartlett test and applied Bonferroni's post hoc test in case of equal variances and Scheffe's post hoc test in case of unequal variances for testing mean differences between latent classes.

We computed multiple linear regression models to estimate adjusted means by class membership for symptoms of depression (PHQ-9), anxiety (GAD-7), somatization (PHQ-15), DSS personal stigma, DSS perceived stigma and reported DUI controlling for age, presence of a partner, presence of children, education, unemployment, income, blue-collar work, duration of mental illness and recruitment setting. In addition, all models except that for reported DUI were controlled for reported DUI. We estimated the variance inflation factor (VIF) for each model variable to test for multicollinearity. An average VIF > 10 is regarded as indicating collinearity problems in a linear regression model [31].

We computed a path model to investigate the direct and indirect effects of latent class membership on stigmatization (total DSS score), the reported DUI and the severity of psychiatric

symptoms (total PHQ-SADS score) using the membership to class 3 as reference category. We estimated robust standard errors for path coefficients in order to take account of the skewed distribution of the variable indicating DUI. For testing the fit of the path model we estimated the Comparative Fit Index (CFI), the Tucker Lewis Index (TLI), The Root Mean Squared Error of Approximation (RMSEA) and the Standardized Root Mean Square Residual (SMR). A good model fit is indicated by CFI and TLI above 0.95 and RMSEA and SMR below 0.05 [32].

Regression models and path analyses were computed using STATA 15 [33].

Results

In total, 265 men agreed to participate in the investigation. 15 persons were excluded from the analysis because they were not currently being treated for depression. From the 250 men included in the data analyses (see Table 1), 128 (51.2%) were recruited in psychiatric hospitals, 45 (18.0%) came from psychosomatic hospitals, 6 (2.4%) were asked by family doctors, and 71 (28.4%) study participants had responded to the press invitation. Of the participants who responded to the press invitation 5 (7.7%) were treated by family doctors, 28 (43.1%) were treated by office based psychiatrists, and 25 (38.5%) were treated by office based psychologists. Having ever been treated for depression in a psychiatric or psychosomatic hospital was reported by 31(43.7%) of the participants who responded to the press invitation.

On average, participants were 47 years old (SD = 12.0 years), 37.2% (n = 99) had a higher education, and 38.5% (n = 95) had a monthly household income above the average of the German households (3000 € and higher). About 59.2% (n = 148) lived with a partner and 59.6% (n = 149) lived, with children. While 25.6% (n = 64) of the participants were blue collar workers, 13.2% (n = 33) stated to be unemployed at the time of the interview.

On average, participants had first suffered symptoms of depression 11.5 years (SD = 10.2) earlier but the mean duration of untreated depression was 3.7 years (SD = 6.5 years).

About half of the sample reported symptoms of depression classified as severe based on the PHQ-9 cut-off value. With the exception of the few participants who were recruited from family doctors the distribution of the symptom severity varied only slightly across recruitment settings.

Results of Latent Profile Analysis (LPA)

Model fit parameters for LPAs with increasing numbers of classes are presented in Table 2. As indicated by the LRT, the three-class model fits the data significantly better than the two classes model, while the model fit does not significantly improve with more than three classes. The AIC, the ABIC and the entropy parameter improve with an increasing number of classes, but the change is greatest between the two- and three-class models.

Based on the comparison of model fit parameters, we selected the three-class model for further consideration.

Fig 1 presents the latent class profiles of the mean distribution of the dimensions of adherence to traditional masculinity and occupational role orientation broken down by class membership in the three-class model (means and SD are presented in S2 Table). The first three categories represent the dimensions of the masculinity role norm scale (MRNS): status, toughness and anti-femininity. Comparisons of means between the three classes indicate that men assigned to class 2 (red line) have significantly higher values on all three dimensions indicating a more traditional male role orientation, while the values of those assigned to class 1 (blue line) and class 3 (green line) do not differ significantly from each other and indicate a less traditional male role orientation.

Table 1. Sample characteristics by recruitment setting.

	Total	Psychiatric hospital	Psychosomatic hospital	Family doctor	Press invitation
N (%)	250 (100)	128 (51.2)	45 (18.0)	6 (2.4)	71 (28.4)
Age mean (SD)	46.6 (12.0)	46.7 (12.9)	43.2 (10.0)	36.3 (15.2)	49.4 (10.3)
Higher education n (%)	93 (37.2)	29 (22.7)	25 (55.6)	3 (50.0)	36 (50.7)
Monthly net household income above 3000€ n (%)	95 (38.0)	35 (27.3)	27 (60.0)	2 (33.3)	31 (43.7)
Living with partner n (%)	148 (59.2)	72 (56.3)	31 (68.9)	2 (33.3)	43 (60.6)
Living with children n (%)	149 (59.6)	84 (65.6)	24 (53.3)	1 (16.7)	40 (56.3)
Unemployed n (%)	33 (13.2)	19 (14.8)	5 (11.1)	0 (0.0)	9 (12.7)
Blue collar worker n (%)	64 (25.6)	40 (31.3)	7 (15.6)	0 (0.0)	17 (23.9)
Duration of illness in years mean (SD)	11.5 (10.2)	11.8 (10.2)	8.7 (8.0)	13.2 (10.5)	12.8 (11.3)
Duration of untreated illness (DUI) in years mean (SD)	3.7 (6.5)	3.1 (5.9)	4.7 (7.6)	3.3 (5.8)	4.2 (6.8)
Severity of depression (PHQ-9)					
Minimal (1–4) n (%)	18 (7.2)	9 (7.0)	3 (6.7)	1 (16.7)	5 (7.4)
Mild (5–9) n (%)	47 (18.8)	23 (18.0)	8 (17.8)	0 (0.0)	16 (22.5)
Medium (10–14) n (%)	61 (24.4)	32 (25.0)	11 (24.4)	1 (16.7)	17 (23.9)
Severe (15–27) n (%)	124 (49.6)	64 (51.1)	23 (51.1)	4 (66.7)	33 (46.5)

<https://doi.org/10.1371/journal.pone.0233764.t001>

The comparison of the dimensions representing job-related attitudes reveals that men assigned to class 2 reported the highest levels of job priority, occupational ambition, over-commitment and perfectionism, followed by those men assigned to class 3. Men assigned to class 1 reported the lowest level of these attitudes. Compared to men assigned to classes 1 and 3, men assigned to class 2 reported the lowest ability to distance themselves from their jobs while also showing the greatest tendency to give up when confronted with professional problems. In contrast, men assigned to class 3 reported the lowest likelihood of resignation and the highest level of “coping with professional problems in an offensive way”. Men assigned to class 3 reported the highest level of serenity in their professional context, and they also reported the highest level of “experiencing success, social support and life satisfaction” compared to those assigned to classes 1 and 2. While men assigned to class 2 had the lowest level of serenity, men assigned to class 1 reported the lowest level of experiencing job success. Men assigned to classes 1 and 2 did not differ with regard to life satisfaction or the experience of social support.

In summary LPA results indicate that:

- Men assigned to class 1 reported a less pronounced adherence to traditional masculinity norms combined with low occupational ambitions and a low ability to manage professional stress and to experience professional success and recognition.
- Men assigned to class 2 reported a strong adherence to traditional masculinity norms combined with high professional ambitions but a low ability to manage professional stress and to experience professional success and recognition.
- Men assigned to class 3 reported a less pronounced adherence to traditional masculinity norms in combination with medium professional ambitions and a high ability to manage professional stress and to experience professional success and recognition.

Associations of latent class assignment with sociodemographic and treatment characteristics

The between class differences of sociodemographic characteristics and recruitment setting are provided in [Table 3](#).

Table 2. Model fit parameter for the LPA model selection.

Model	classes k	Log-likelihood	LRT p k-1	AIC	ABIC	Entropy
1	2	-10702.648	0.2720	21079.494	21094.603	0.821
2	3	-10496.747	0.0231	20809.894	20830.274	0.843
3	4	-10346.947	0.3802	20702.015	20727.665	0.847
4	5	-10233.093	0.3621	20642.187	20673.108	0.859

LRT = Log-likelihood ratio test; AIC = Akaike information criterion; ABIC = Adjusted Bayes Information Criteria

<https://doi.org/10.1371/journal.pone.0233764.t002>

As revealed by the risk ratios (RR) resulting from the multinomial logistic regression model (Table 3) the probability of assignment to latent class 1 in comparison to assignment to class 3 was lower for participants who had a higher education, and for those who lived with a partner, but higher for participants who were unemployed. In comparison to participants who were recruited in psychiatric hospitals those who were recruited in psychosomatic hospitals or those who were recruited by press invitation had a higher probability to become assigned to class 1 rather than class 3.

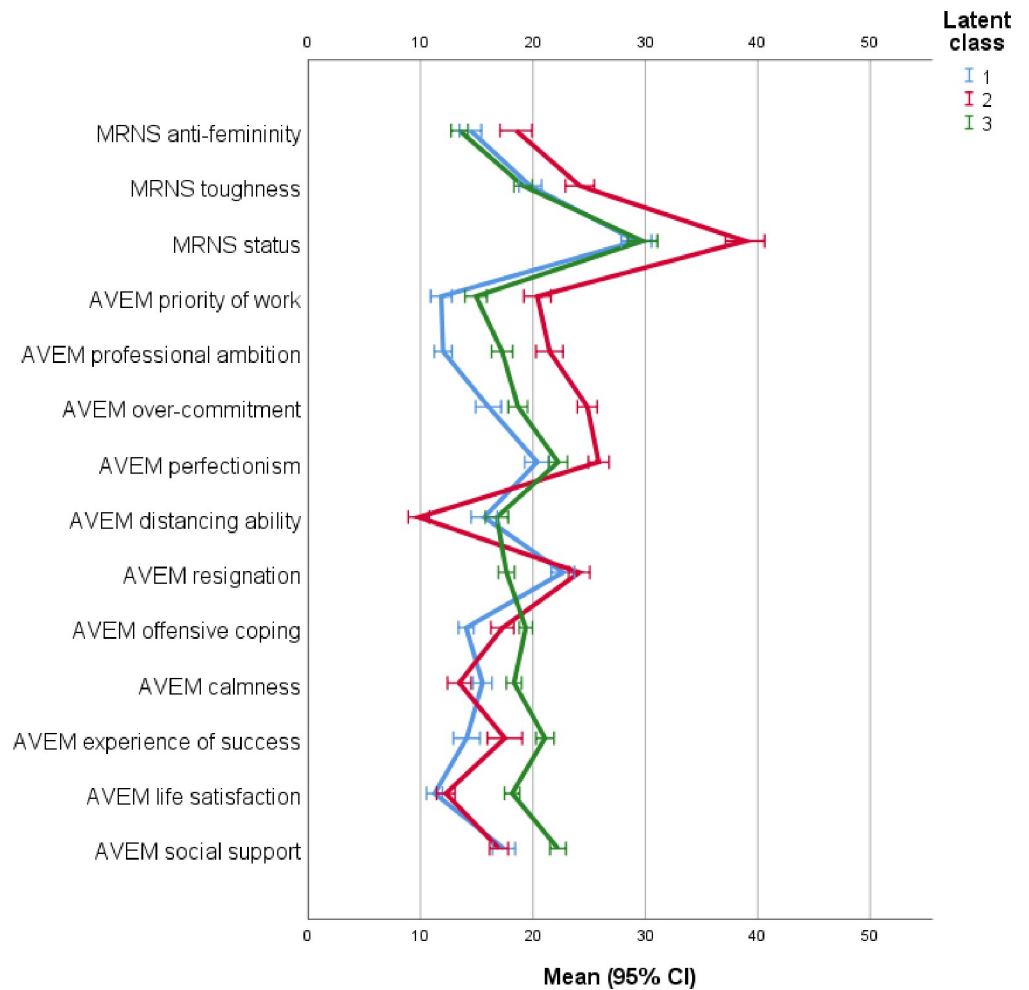


Fig 1. Latent class profile for masculinity norms and work role orientations. Means and 95% confidence intervals.

<https://doi.org/10.1371/journal.pone.0233764.g001>

Table 3. Multi-nomial logit regression model of latent class assignment on sociodemographic characteristics, duration of illness and recruitment setting.

N (%)	Class 1 85 (34.0)	Class 2 58 (23.2)	Class 3 107 (42.8)	RR ¹⁾ Class 1 vs Class 3 (p)	RR ¹⁾ Class 2 vs Class 3 (p)
Age mean (SD)	48.5 (11.4)	45.5 (11.9)	45.7 (12.4)	1.03 (0.148)	0.99 (0.524)
Higher education n (%)	22 (25.9)	16 (27.6)	55 (51.4)	0.28 (0.003)	0.27 (0.006)
Monthly net household income above 3000€ n (%)	20 (23.5)	22 (37.9)	53 (49.5)	0.56 (0.170)	0.98 (0.964)
Living with partner n (%)	36 (42.4)	33 (56.9)	79 (73.8)	0.21 (0.009)	0.35 (0.012)
Living with children n (%)	48 (56.5)	41 (70.7)	60 (56.1)	1.58 (0.296)	3.67 (0.005)
Unemployed n (%)	18 (21.2)	6 (10.3)	9 (8.4)	2.95 (0.045)	1.10 (0.871)
Blue collar worker n (%)	28 (32.9)	18 (31.0)	18 (16.8)	1.35 (0.492)	1.98 (0.136)
Duration of illness in years mean (SD)	13.5 (11.3)	12.1 (11.3)	9.6 (8.3)	1.05 (0.075)	1.01 (0.737)
Duration of untreated illness (DUI) in years mean (SD)	3.3 (5.8)	5.7 (8.7)	3.0 (5.3)	0.94 (0.150)	1.05 (0.219)
Recruitment setting					
Psychiatric hospital n (%)	40 (47.6)	27 (46.6)	61 (57.0)	Ref.	Ref.
Psychosomatic hospital n (%)	14 (16.5)	13 (22.4)	18 (16.8)	4.43 (0.005)	3.68 (0.013)
Family doctor n (%)	2 (2.4)	1 (1.7)	3 (2.8)	2.09 (0.470)	1.32 (0.831)
Press invitation n (%)	29 (34.1)	17 (29.3)	25 (23.4)	3.64 (0.004)	3.06 (0.018)

¹⁾ Multi-nomial logit regression model with assignment to Class 3 as reference category.

<https://doi.org/10.1371/journal.pone.0233764.t003>

The probability of assignment to class 2 vs. class 3 was lower for participants with a higher income and for those who lived with a partner, but higher for those who had children. In comparison to participants who were recruited in psychiatric hospitals those who were recruited from psychosomatic hospitals or those who were recruited by press invitation had a higher probability to become assigned to class 2 rather than class 3. A pseudo- R^2 of 0.16 indicates a sufficient fit of the multinomial logit model.

Symptoms of mental disorder, stigmatization and duration of untreated illness by latent class membership

The adjusted means (see S3 Table for raw means) for the PHQ subscales in Fig 2 indicate that participants assigned to class 3 had significantly fewer symptoms of anxiety and depression than those assigned to classes 1 and 2 while the means of somatization symptoms differed only between classes 2 and 3. Results of the VIF estimation reveal an average VIF of 1.47 for all regression models which is far below the critical value of 10. The highest VIF was estimated for reported duration of depressive illness with 2.18 which is also far below the critical value of 10.

Path analyses

Fig 3 reveals the standardized path coefficients (β) and robust standard errors (se) of latent class membership in classes 1 and 2 vs. membership in class 3 on stigmatizing attitudes, reported DUI and symptoms of mental disorder.

As indicated by path coefficients, study participants assigned to class 1 reported significantly more stigmatizing attitudes ($\beta = 0.28$; se = 0.06; $p < 0.001$) and significantly more severe symptoms of mental disorder ($\beta = 0.33$; se = 0.056; $p < 0.001$) compared to those assigned to class 3. The path coefficient between class 1 membership and DUI is not significant ($\beta = -0.022$; se = 0.063; $p = 0.729$).

Study participants assigned to class 2 reported significantly more stigmatizing attitudes ($\beta = 0.43$; se = 0.06; $p < 0.001$) and more severe symptoms of mental disorder ($\beta = 0.4$; se = 0.067;

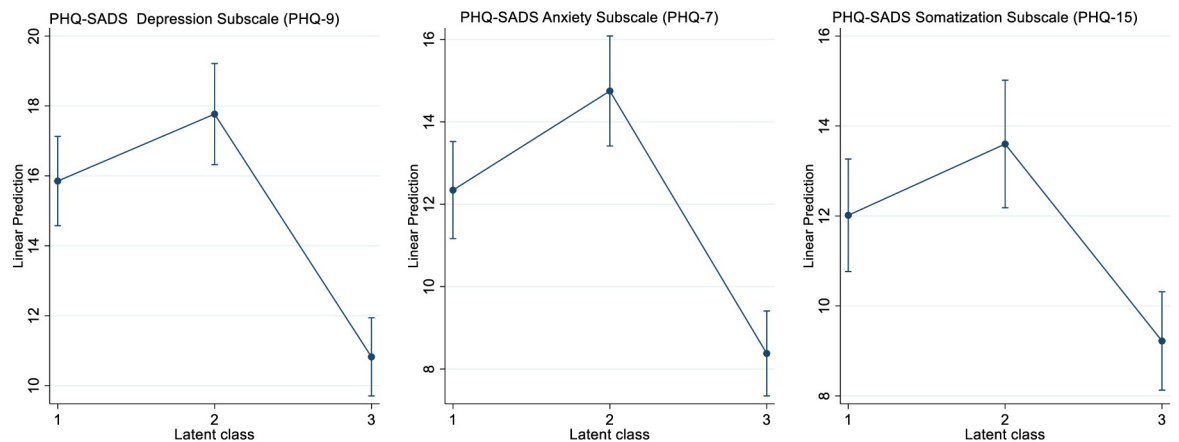


Fig 2. Patient Health Questionnaire (PHQ-SADS) subscales by latent class assignment. Means and 95% confidence intervals adjusted for age, partner, children, higher education, unemployment, bluecollar worker, income, duration of illness, duration of untreated illness, recruitment setting.

<https://doi.org/10.1371/journal.pone.0233764.g002>

$p = 0.001$) than those assigned to class 3, while the path from class 2 to DUI ($\beta = 0.13$; $se = 0.072$; $p = 0.091$) indicates no significant effect.

While stigmatizing attitudes were significantly related to an increased DUI ($\beta = 0.1$; $se = 0.016$; $p < 0.001$) and to increased severity of symptoms ($\beta = 0.17$; $se = 0.06$; $p < 0.01$) the path coefficient from DUI to symptoms of mental disorder ($\beta = -0.07$; $se = 0.06$; $p < 0.261$) indicate no significant effect.

As indicated by the decomposition of direct and indirect effects, membership to class 1 ($\beta = 0.02$; $p < 0.001$) and membership to class 2 ($\beta = 0.044$; $p = 0.001$) were both indirectly related to a longer DUI compared to membership to class 3.

The model explains 3.8% of the variance of DUI but 16% of the variance of stigmatizing attitudes and 24% of the variance of symptoms of mental disorder. The model fit parameters (CFI = 1.0; TLI = 1.0; RMSEA = 0.000; SRMR = 0.006) indicate a very close fit of the model with the empirical covariance structure.

Discussion

Our findings confirm previous results that the adherence to traditional masculinity concepts is directly associated with more stigmatizing attitudes against depressive illness and increased symptoms of mental disorder [10, 11, 34, 35]. However, our results also indicate that men treated for depression are not a homogenous group with respect to their adherence to traditional masculinity norms and occupational role orientations. Furthermore, our findings reveal that a less pronounced adherence to traditional masculinity is only associated with better mental health and less stigmatizing attitudes if it coincides with a medium level of occupational ambition and adequate abilities to cope with occupational stress and to perceive recognition at work.

These results underline the interconnectedness between masculinity concepts and occupational role orientations for male mental health [36]. In western societies professional success and social status are core elements of the traditional male gender role [37]. The workplace therefore can become both an important generator of feelings of personal accomplishment and social recognition but also a source of emotional strain and the risk of failure [38–40]. Our

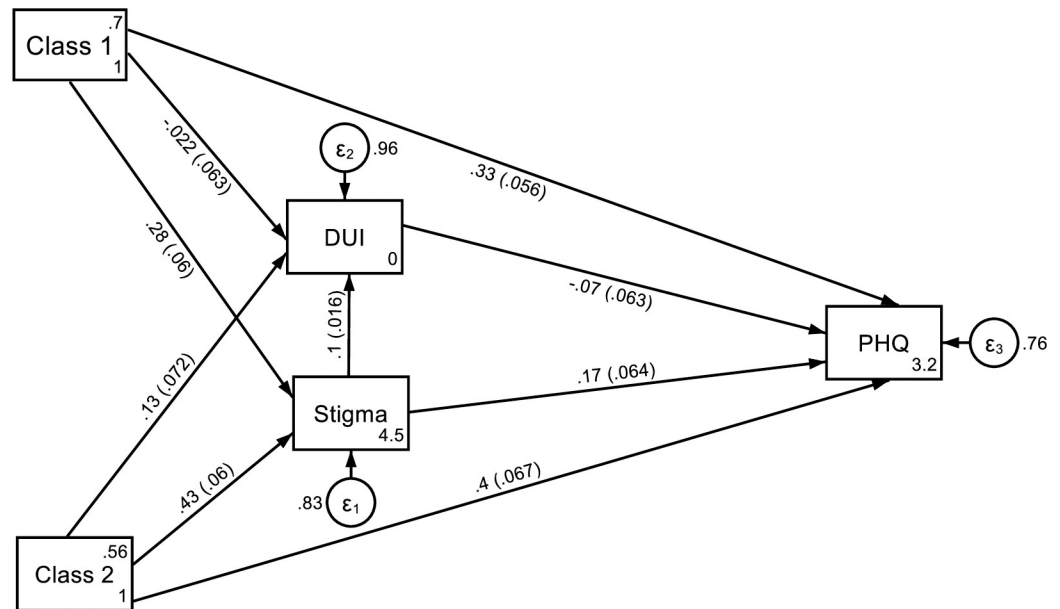


Fig 3. Standardized path coefficients and robust standard errors of the effects of assignment to latent Class 1 or latent Class 2 vs. latent Class 3 (reference category) on stigmatizing attitudes (stigma = DSS total sum score), the duration of untreated illness (DUI), and symptoms of mental disorder (PHQ = PHQ-SADS total sum score).

<https://doi.org/10.1371/journal.pone.0233764.g003>

data suggest that those study participants who adhere most strongly to the traditional masculine role orientations have the highest levels of professional ambition and the lowest capacity to cope with occupational stress. Research on occupational mental health revealed that job over-commitment is an intrinsic risk factor increasing the negative effects of job-strain on mental health [39].

Under such circumstances keeping a distance from occupational ambitions could ease emotional strain and fear of failure [39]. Further research should investigate, whether this relief comes at the price of losing crucial emotional rewards, e.g. experiencing accomplishment and success. Both pronounced work role adherence and radical distance appear to be related to poorer emotional well-being and more stigmatizing attitudes (when compared with medium levels of occupational ambition and effort).

With regard to reported DUI, we found only indirect effects of traditional masculinity and work-role orientations indicating that these effects were mediated by stigmatizing attitudes. This is in accordance with the finding of a recent review article of 27 studies [41] that negative attitudes toward people with mental illness were associated with lower willingness to seek professional help. On the basis of an elaborated theoretical model Schomerus et al. [17] found that with increasing level of stigmatizing attitudes people with untreated mental illness were more reluctant to identify themselves as being mentally ill and to accept the need for mental health care.

Our finding, of no association between reported DUI and symptom severity is in accordance with previous studies revealing that longer DUI is related to reduced treatment effectiveness and a lower likelihood of remission but not to symptom severity and other clinical features [42–46].

Limitations

Our study sample includes only men currently treated for depression. Therefore, we cannot draw any conclusions about the representativity of our study results. Therefore, the finding

that only 23% of study participants had a traditional masculinity orientation may reflect that men with a lower adherence to traditional masculinity norms are more prepared to seek professional help.

The recruitment of participants via press invitation could result in a further limitation of generalizability due to self-selection bias associated with peoples' previous experiences with treatment or other clinical or personal characteristics.

In addition, our measurement of DUI is based on self-report only and therefore susceptible to recall bias.

Finally, due to the cross-sectional design our study does not allow to make any conclusions about causal effects or processes of change.

Conclusions

Overall, this study reveals that masculinity norms and work-role orientations are relevant among men treated for depression. Our results suggest that any slackening of traditional masculinity norms may be related to better psychological well-being when it not coincides with a complete distancing from work-role ambitions and/or deficits in coping with occupational stress. Longitudinal studies are needed to clarify whether helping depressed men (a) to take a distance from traditional masculinity norms, (b) to enhance a balanced work-role orientation, (c) to develop effective stress coping, and (d) to reduce stigmatizing attitudes could improve the effectiveness of depression treatment.

Supporting information

S1 Fig. Depression Stigma Scale (DSS) subscales and duration of untreated illness (DUI) by latent class assignment. Means and 95% confidence intervals adjusted for age, partner, education, unemployment, income, duration of illness, duration of untreated illness (only in the DSS models), recruitment setting.

(DOCX)

S1 Table. Cronbach's alpha of the study instruments in the current sample.

(DOCX)

S2 Table. Means and standard deviations of the dimensions of the Male Role Norms Scale (MRNS) and the work related behavior and experience scale (AVEM) by latent class assignment.

(DOCX)

S3 Table. Raw mean differences of PHQ-SADS subscales, DSS subscales and DUI by latent class assignment.

(DOCX)

S1 File.

(TXT)

S1 Data.

(DAT)

S2 Data.

(STS)

Author Contributions

Conceptualization: Reinhold Kilian, Petra Beschoner, Harald Gündel, Thomas Becker, Silvia Krumm.

Data curation: Annabel Müller-Stierlin, Maja Stiawa, Maria Panzirsch.

Formal analysis: Reinhold Kilian, Annabel Müller-Stierlin, Maria Panzirsch, Silvia Krumm.

Funding acquisition: Reinhold Kilian, Harald Gündel, Thomas Becker, Silvia Krumm.

Investigation: Felicitas Söhner, Petra Beschoner, Tobias Staiger, Maja Stiawa, Karel Frasch, Maria Panzirsch, Silvia Krumm.

Methodology: Reinhold Kilian, Petra Beschoner, Harald Gündel, Maria Panzirsch, Silvia Krumm.

Project administration: Annabel Müller-Stierlin, Petra Beschoner, Harald Gündel, Silvia Krumm.

Supervision: Harald Gündel, Thomas Becker, Karel Frasch, Max Schmauß, Silvia Krumm.

Visualization: Reinhold Kilian.

Writing – original draft: Reinhold Kilian, Annabel Müller-Stierlin, Silvia Krumm.

Writing – review & editing: Reinhold Kilian, Annabel Müller-Stierlin, Felicitas Söhner, Petra Beschoner, Harald Gündel, Tobias Staiger, Maja Stiawa, Thomas Becker, Karel Frasch, Maria Panzirsch, Max Schmauß, Silvia Krumm.

References

1. van de Velde S, Bracke P, Levecque K. Gender differences in depression in 23 European countries. Cross-national variation in the gender gap in depression. *Soc Sci Med*. 2010; 71: 305–313. <https://doi.org/10.1016/j.socscimed.2010.03.035> PMID: 20483518
2. Salk RH, Hyde JS, Abramson LY. Gender differences in depression in representative national samples: Meta-analyses of diagnoses and symptoms. *Psychological Bulletin*. 2017; 143: 783–822. <https://doi.org/10.1037/bul0000102> PMID: 28447828
3. Bachmann S. Epidemiology of Suicide and the Psychiatric Perspective. *Int J Environ Res Public Health*. 2018; 15. <https://doi.org/10.3390/ijerph15071425> PMID: 29986446
4. Moller-Leimkuhler AM. Barriers to help-seeking by men. A review of sociocultural and clinical literature with particular reference to depression. *J Affect Disord*. 2002; 71: 1–9. [https://doi.org/10.1016/s0165-0327\(01\)00379-2](https://doi.org/10.1016/s0165-0327(01)00379-2) PMID: 12167495
5. Addis ME, Mahalik JR. Men, masculinity, and the contexts of help seeking. *Am Psychol*. 2003; 58: 5–14. <https://doi.org/10.1037/0003-066x.58.1.5> PMID: 12674814
6. Courtenay WH. Constructions of masculinity and their influence on men's well-being. A theory of gender and health. *Soc Sci Med*. 2000; 50: 1385–1401. [https://doi.org/10.1016/s0277-9536\(99\)00390-1](https://doi.org/10.1016/s0277-9536(99)00390-1) PMID: 10741575
7. Rutz W, Knorrning L von, Pihlgren H, Rihmer Z, Wälinder J. Prevention of male suicides: lessons from Gotland study. *Lancet (London, England)*. 1995; 345: 524. [https://doi.org/10.1016/s0140-6736\(95\)90622-3](https://doi.org/10.1016/s0140-6736(95)90622-3)
8. Kuehner C. Why is depression more common among women than among men. *The Lancet Psychiatry*. 2017; 4: 146–158. [https://doi.org/10.1016/S2215-0366\(16\)30263-2](https://doi.org/10.1016/S2215-0366(16)30263-2) PMID: 27856392
9. Krumm S, Checchia C, Koesters M, Kilian R, Becker T. Men's Views on Depression: A Systematic Review and Metasynthesis of Qualitative Research. *Psychopathology*. 2017; 50: 107–124. <https://doi.org/10.1159/000455256> PMID: 28285304
10. Levant RF, Stefanov DG, Rankin TJ, Halter MJ, Mellinger C, Williams CM. Moderated path analysis of the relationships between masculinity and men's attitudes toward seeking psychological help. *J Couns Psychol*. 2013; 60: 392–406. <https://doi.org/10.1037/a0033014> PMID: 23668728

11. Seidler ZE, Dawes AJ, Rice SM, Oliffe JL, Dhillon HM. The role of masculinity in men's help-seeking for depression: A systematic review. *CLINICAL PSYCHOLOGY REVIEW*. 2016; 49: 106–118. <https://doi.org/10.1016/j.cpr.2016.09.002> PMID: 27664823
12. Wong YJ, Ho M-HR, Wang S-Y, Miller ISK. Meta-analyses of the relationship between conformity to masculine norms and mental health-related outcomes. *J Couns Psychol*. 2017; 64: 80–93. <https://doi.org/10.1037/cou0000176> PMID: 27869454
13. Iwamoto DK, Brady J, Kaya A, Park A. Masculinity and Depression: A Longitudinal Investigation of Multidimensional Masculine Norms Among College Men. *Am J Mens Health*. 2018; 12: 1873–1881. <https://doi.org/10.1177/1557988318785549> PMID: 29973104
14. Oliffe JL, Han CSE. Beyond workers' compensation. Men's mental health in and out of work. *Am J Mens Health*. 2014; 8: 45–53. <https://doi.org/10.1177/1557988313490786> PMID: 23727792
15. Roche AM, Pidd K, Fischer JA, Lee N, Scarfe A, Kostadinov V. Men, Work, and Mental Health: A Systematic Review of Depression in Male-dominated Industries and Occupations. *Saf Health Work*. 2016; 7: 268–283. <https://doi.org/10.1016/j.shaw.2016.04.005> PMID: 27924229
16. Milner A, Kavanagh A, King T, Currier D. The Influence of Masculine Norms and Occupational Factors on Mental Health: Evidence From the Baseline of the Australian Longitudinal Study on Male Health. *Am J Mens Health*. 2018; 12: 696–705. <https://doi.org/10.1177/1557988317752607> PMID: 29338558
17. Schomerus G, Stolzenburg S, Freitag S, Speerforck S, Janowitz D, Evans-Lacko S, et al. Stigma as a barrier to recognizing personal mental illness and seeking help: a prospective study among untreated persons with mental illness. *European Archives of Psychiatry and Clinical Neuroscience*. 2019; 269: 469–479. <https://doi.org/10.1007/s00406-018-0896-0> PMID: 29679153
18. Thomson EH, Pleck JH. The Structure of Male Role Norms. *American Behavioral Scientist*. 1986; 29: 531–543. <https://doi.org/10.1177/000276486029005003>
19. Teuber N, Thiele A, Eberhardt B. Geschlechtsrolle und Schmerzerleben. *Schmerz*. 2006; 20: 307–313. <https://doi.org/10.1007/s00482-005-0436-5> PMID: 16151754
20. Thiele A, Ottermann C, Degenhardt A. Maskuline Normorientierung, Sensation Seeking und Aggressivität bei postadoleszenten Männern. Validierung der „Male Role Norms Scale (MRNS)“. Poster auf der Tagung der Fachgruppe Entwicklungspsychologie in Potsdam. Potsdam; 2001.
21. Schaarschmidt U, Fischer AW. AVEM Arbeitsbezogenes Verhaltens- und Erlebensmuster. 3rd ed. Göttingen: PEARSON; 2008.
22. Griffiths KM, Christensen H, Jorm AF, Evans K, Groves C. Effect of web-based depression literacy and cognitive-behavioural therapy interventions on stigmatising attitudes to depression: randomised controlled trial. *Br J Psychiatry*. 2004; 185: 342–349. <https://doi.org/10.1192/bjp.185.4.342> PMID: 15458995
23. Griffiths KM, Christensen H, Jorm AF. Predictors of depression stigma. *BMC Psychiatry*. 2008; 8: 25. <https://doi.org/10.1186/1471-244X-8-25> PMID: 18423003
24. Kroenke K, Spitzer RL, Williams JBW, Löwe B. The Patient Health Questionnaire Somatic, Anxiety, and Depressive Symptom Scales: a systematic review. *General Hospital Psychiatry*. 2010; 32: 345–359. <https://doi.org/10.1016/j.genhosppsy.2010.03.006> PMID: 20633738
25. Bundeszentrale für politische Bildung. Datenreport: Datenreport 2018; 2019. Available: <https://www.bpb.de/nachschlagen/datenreport-2018/>. Accessed 5 February 2020.
26. Vermunt JK, Magidson J. Latent Class Cluster Analysis. In: Hagenaars JA, McCutcheon AL, editors. *Applied latent class analysis*. Cambridge, New York: Cambridge University Press; 2002. pp. 89–106.
27. Tein J-Y, Coxe S, Cham H. Statistical Power to Detect the Correct Number of Classes in Latent Profile Analysis. *Struct Equ Modeling*. 2013; 20: 640–657. <https://doi.org/10.1080/10705511.2013.824781> PMID: 24489457
28. Akaike H. Likelihood of a model and information criteria. *Journal of Econometrics*. 1981; 16: 3–14.
29. Akaike H. Factor-analysis and AIC. *Psychometrika*. 1987; 52: 317–332.
30. Muthén LK, Muthén BO. *Mplus User's Guide*. Los Angeles, CA: Muthén & Muthén; 2012.
31. Chatterjee S, Hadi AS, Price B. *Regression analysis by example*. New York: Wiley & Sons; 2000.
32. Kline RB. *Principles and practice of structural equation modeling*. New York, London: The Guilford Press; 2016.
33. Stata Corporation. [Stata statistical software: Release 15. College Station TX: StataCorp LP; 2017.
34. Vogel DL, Heimerdinger-Edwards SR, Hammer JH, Hubbard A. "Boys don't cry": examination of the links between endorsement of masculine norms, self-stigma, and help-seeking attitudes for men from diverse backgrounds. *J Couns Psychol*. 2011; 58: 368–382. <https://doi.org/10.1037/a0023688> PMID: 21639615

35. Latalova K, Kamaradova D, Prasko J. Perspectives on perceived stigma and self-stigma in adult male patients with depression. *Neuropsychiatr Dis Treat*. 2014; 10: 1399–1405. <https://doi.org/10.2147/NDT.S54081> PMID: 25114531
36. Boettcher N, Mitchell J, Lashewicz B, Jones E, Wang J, Gundu S, et al. Men's Work-Related Stress and Mental Health: Illustrating the Workings of Masculine Role Norms. *Am J Mens Health*. 2019; 13: 1557988319838416. <https://doi.org/10.1177/1557988319838416> PMID: 30880590
37. David DS, Brannon R. *The Forty-nine percent majority. The male sex role*. 1st ed. New York: Random House; 1976.
38. Siegrist J. Chronic psychosocial stress at work and risk of depression: evidence from prospective studies. *European Archives of Psychiatry and Clinical Neuroscience*. 2008; 258 Suppl 5: 115–119. <https://doi.org/10.1007/s00406-008-5024-0> PMID: 18985307
39. Siegrist J, Li J. Associations of Extrinsic and Intrinsic Components of Work Stress with Health: A Systematic Review of Evidence on the Effort-Reward Imbalance Model. *Int J Environ Res Public Health*. 2016; 13: 432. <https://doi.org/10.3390/ijerph13040432> PMID: 27104548
40. Wege N, Li J, Siegrist J. Are there gender differences in associations of effort-reward imbalance at work with self-reported doctor-diagnosed depression? Prospective evidence from the German Socio-Economic Panel. *Int Arch Occup Environ Health*. 2018; 91: 435–443. <https://doi.org/10.1007/s00420-018-1293-8> PMID: 29380045
41. Schnyder N, Panczak R, Groth N, Schultze-Lutter F. Association between mental health-related stigma and active help-seeking: systematic review and meta-analysis. *Br J Psychiatry*. 2017; 210: 261–268. <https://doi.org/10.1192/bjp.bp.116.189464> PMID: 28153928
42. Ghio L, Gotelli S, Cervetti A, Respino M, Natta W, Marcenaro M, et al. Duration of untreated depression influences clinical outcomes and disability. *J Affect Disord*. 2015; 175: 224–228. <https://doi.org/10.1016/j.jad.2015.01.014> PMID: 25658495
43. Ghio L, Gotelli S, Marcenaro M, Amore M, Natta W. Duration of untreated illness and outcomes in unipolar depression: a systematic review and meta-analysis. *J Affect Disord*. 2014; 152–154: 45–51. <https://doi.org/10.1016/j.jad.2013.10.002> PMID: 24183486
44. Hung C-I, Liu C-Y, Yang C-H. Untreated duration predicted the severity of depression at the two-year follow-up point. *PLoS ONE*. 2017; 12: e0185119. <https://doi.org/10.1371/journal.pone.0185119> PMID: 28934289
45. Bukh JD, Bock C, Vinberg M, Kessing LV. The effect of prolonged duration of untreated depression on antidepressant treatment outcome. *J Affect Disord*. 2013; 145: 42–48. <https://doi.org/10.1016/j.jad.2012.07.008> PMID: 22854096
46. Vigne P, Fortes P, Dias RV, Laurito LD, Loureiro CP, Menezes GB de, et al. Duration of untreated illness in a cross-diagnostic sample of obsessive-compulsive disorder, panic disorder, and social anxiety disorder. *CNS Spectr*. 2019; 24: 526–532. <https://doi.org/10.1017/S1092852918001281> PMID: 30419984