

A Survey on Applications of Neuro-Fuzzy Models

Raheleh Jafari
School of design
University of Leeds
Leeds, LS2 9JT, UK
Email: r.jafari@leeds.ac.uk

Alexander Gegov
School of Computing
University of Portsmouth
Buckingham Building
Portsmouth PO1 3HE, UK
Email: alexander.gegov@port.ac.uk

Sina Razvarz
Departamento de Control Automatico
CINVESTAV-IPN
Mexico City, Mexico
Email: srazvarz@yahoo.com

Boriana Vatchova
Institute of Information
and Communication Technologies
Bulgarian Academy of Sciences
Sofia, Bulgaria
Email: boriana.vatchova@gmail.com

Abstract— Artificial intelligence techniques such as neuro-fuzzy have been successfully applied in a wide variety of uses to be mentioned as economics, engineering, social science, and business. In order to show the implementations of neuro-fuzzy in engineering the most recent researches in the area of neuro-fuzzy are covered in this paper. As many researchers have effectively utilized neuro-fuzzy in engineering applications, detailed studies are provided in this work for stimulating future researches.

Keywords-component; Artificial intelligence; neuro-fuzzy; engineering

I. INTRODUCTION

Fuzzy systems have been considered as an useful approach for approximated reasoning, generally for the system having a mathematical structure that is complex to acquire [1-4]. Fuzzy set theory is an appropriate approach to handle vagueness and has been successfully applied for solving multi-criteria decision making issues. In the past few years, important usages of fuzzy set theory in engineering have been provided [5-9]. Fuzzy set theory has been viewed as a proper technique to facilitate studies in engineering fields in a case that the dynamics of the decision domain bound the exact estimation of model parameters. Through the years, investigators have developed the theory of fuzzy logic. Significant development is Z-numbers. Z-numbers have been broadly utilized in numerous applications in various domains [10-11].

The combination of artificial neural networks and fuzzy logic have recently been employed in various fields. In [12,13] a diagnostic technique to optimize the energy performance as well as to maximize the operational time using artificial neural network and fuzzy logic is proposed. More recently, with the expansion of fuzzy logic, more researches have been carried out with the combination of artificial neural networks and Z-numbers. In [14], Z-number-based fuzzy system is suggested to determine the food security risk level.

This paper represents details of the application of neuro-fuzzy in industrial engineering. In this paper, the most recent researches in the field of neuro-fuzzy are covered. Since some

industries have successfully used this technique, detailed discussions are supplied to stimulate future investigations.

II. MATHEMATICAL PRELIMINARIES

Definition 1: If q is:

- 1) normal, there is $\omega_0 \in \mathfrak{R}$ where $q(\omega_0) = 1$,
- 2) convex, $q(v\omega + (1-v)\tau) \geq \min\{q(\omega), q(\tau)\}$,
 $\forall \omega, \tau \in \mathfrak{R}, \forall v \in [0,1]$,

The fuzzy variable q is defined as below

$$q = (\underline{q}, \bar{q}) \quad (1)$$

Definition 2: The Z -number is composed of two elements. $q(\omega)$ is considered as the restriction on ω and p is considered as a measure of the reliability of q .

The triangular membership function is defined as

$$\mu_q = G(a, b, c) = \begin{cases} \frac{\omega - a}{b - a} & a \leq \omega \leq b \\ \frac{c - \omega}{c - b} & b \leq \omega \leq c \\ 0 & \text{otherwise } \mu_q = 0 \end{cases} \quad (2)$$

and the trapezoidal membership function is defined as

$$\mu_q = G(a, b, c, d) = \begin{cases} \frac{\omega - a}{b - a} & a \leq \omega \leq b \\ \frac{d - \omega}{d - c} & c \leq \omega \leq d \\ 1 & b \leq \omega \leq c \\ 0 & \text{otherwise } \mu_q = 0 \end{cases} \quad (3)$$

The probability measure of q is defined as

$$p(q) = \int_{\mathfrak{R}} \mu_q(\omega) p(\omega) d\omega \quad (4)$$

For discrete Z^- -numbers we have

$$p(q) = \sum_{j=1}^n \mu_q(\omega_j) p(\omega_j) \quad (5)$$

Definition 3: The α -level of the Z-number $Z = (q, p)$ is stated as below

$$[Z]^\alpha = ([q]^\alpha, [p]^\alpha) \quad (6)$$

$[p]^\alpha$ is calculated by the Nguyen's theorem

$$[p]^\alpha = p([q]^\alpha) = p([q^\alpha, \bar{q}^\alpha]) = [p^\alpha, \bar{p}^\alpha] \quad (7)$$

such that $p([q]^\alpha) = \{p(\omega) | \omega \in [q]^\alpha\}$. Hence, $[Z]^\alpha$ is defined as

$$[Z]^\alpha = (\underline{z}^\alpha, \bar{z}^\alpha) = ((\underline{q}^\alpha, \underline{p}^\alpha), (\bar{q}^\alpha, \bar{p}^\alpha)) \quad (8)$$

such that $\underline{p}^\alpha = \underline{q}^\alpha p(\underline{\omega}_j^\alpha)$, $\bar{p}^\alpha = \bar{q}^\alpha p(\bar{\omega}_j^\alpha)$, $[\omega_j]^\alpha = (\underline{\omega}_j^\alpha, \bar{\omega}_j^\alpha)$.

Let $Z_1 = (q_1, p_1)$ and $Z_2 = (q_2, p_2)$, we have

$$Z_{12} = Z_1 * Z_2 = (q_1 * q_2, p_1 * p_2) \quad (9)$$

where $* \in \{\oplus, \ominus, \odot\}$. \oplus , \ominus and \odot , indicate sum, subtract and multiply respectively.

The operations utilized for the fuzzy numbers $[q_1]^\alpha = [q_{11}^\alpha, q_{12}^\alpha]$ and are defined as,

$$\begin{aligned} [q_1 \oplus q_2]^\alpha &= [q_1]^\alpha + [q_2]^\alpha = [q_{11}^\alpha + q_{21}^\alpha, q_{12}^\alpha + q_{22}^\alpha] \\ [q_1 \ominus q_2]^\alpha &= [q_1]^\alpha - [q_2]^\alpha = [q_{11}^\alpha - q_{21}^\alpha, q_{12}^\alpha - q_{22}^\alpha] \\ [q_1 \odot q_2]^\alpha &= (\min\{q_{11}^\alpha q_{21}^\alpha, q_{11}^\alpha q_{22}^\alpha, q_{12}^\alpha q_{21}^\alpha, q_{12}^\alpha q_{22}^\alpha\}, \\ &\quad \max\{q_{11}^\alpha q_{21}^\alpha, q_{11}^\alpha q_{22}^\alpha, q_{12}^\alpha q_{21}^\alpha, q_{12}^\alpha q_{22}^\alpha\}) \end{aligned} \quad (10)$$

$p_1 * p_2$ is defined as

$$p_1 * p_2 = \sum_1 p_1(\omega_{1,j}) p_2(\omega_{2,(n-j)}) = p_{12}(\omega) \quad (11)$$

III. APPLICATIONS OF NEURO-FUZZY IN INDUSTRIAL ENGINEERING

A. Background and Related Work

Artificial neural network and fuzzy logic are both considered as model-free numerical techniques. Each technique uses an uncomplicated algorithmic procedure instead of a complex mathematical analysis, and also the parameters are tuneable [15]. These resemblances make it possible to combine the two techniques.

Neuro-fuzzy system has been widely utilized in polymerization systems. In [16], an adaptive neuro-fuzzy inference system is applied for predicting carbon dioxide solubility in polymers.

In [17], an adaptive neuro-fuzzy inference system is proposed for modeling the surface roughness in ball end milling

of a die material. The approach suggested in that paper adjusts the cutting parameters for a derivable rate of surface harshness.

In [18] neural network technique is used to obtain the approximate solutions of the fuzzy equations with Z-number coefficients. The solutions of fuzzy equations are the controllers when the desired references are considered as the outputs.

B. Neural Networks

Neural networks are constructed from neurons and synapses [19,20]. They alter their rates in reply from nearby neurons as well as synapses. Neural networks operate similar to computer as they map inputs to outputs. Neurons, as well as synapses, are silicon members, which mimic their treatment. A neuron gathers the total incoming signals from other neurons, afterward simulate its reply represented by a number. Signals move among the synapses, which contain numerical rates. Neural networks learn once they vary the value of their synapsis. A common neural network with synaptic connections is presented in Figure 1.

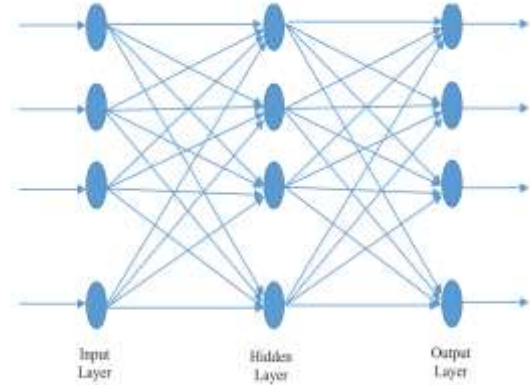


Figure 1. A common neural network

C. Fuzzy Expert System

The fuzzy expert system applies fuzzy logic in lieu of Boolean logic. It is the most general utilization of fuzzy logic (Figure 2). It is utilized in various areas such as:

- ◁ Linear and nonlinear control
- ◁ Pattern recognition
- ◁ Financial systems

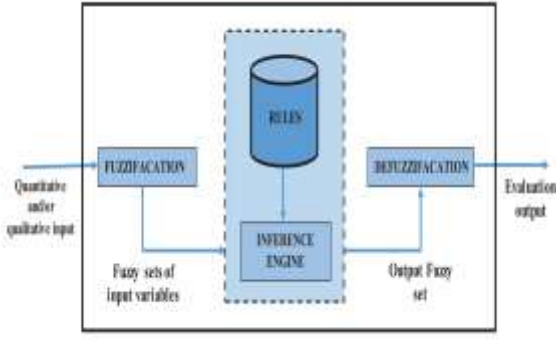


Figure 2. Fuzzy expert system

D. Fuzzy If-Then Rules

Fuzzy logic usually applies If-Then rules. The conditional statement is defined as follows:

If x_1 Then y_2 or $x_1 \rightarrow y_2$

Example 1 Speed as well as pressure of a steam engine is defined with the below linguistic expression

If speed is slow then pressure is high

The statement is demonstrated in Figure 3.

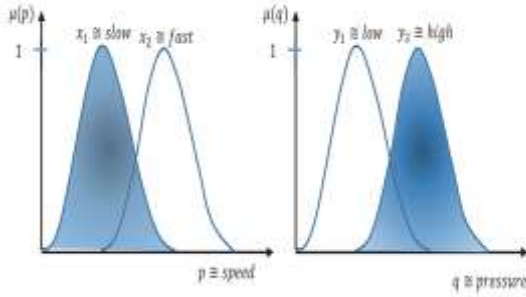


Figure 3. Fuzzy If-Then rule

E. Advantages and Drawbacks of Fuzzy-Based Systems

Fuzzy based systems have the following advantageous:

- I. Excellent accuracy on results.
- II. Same as human logic.
- III. Utilizations of easy mathematical models to solve real world problems linear or non-linear.
- IV. Utilized for fast operations as well as decision control.
- V. Extremely effective for rule based modeling as well as membership evaluations.

Fuzzy based systems have the following drawbacks:

- I. Poor speed and lengthy running time needed.
- II. Absence of real-time answer.

- III. For accurate outcomes require to involve an important quantity of data, which furthermore rises rules for reasoning.

F. Why Apply Z-Numbers in Neural Networks?

Each neuron in the artificial neural network is linked with another neuron via a connection link in such a manner that the connecting link is related to a weight with the information regarding the input signal. Therefore, the weights contain beneficial information regarding input to resolve the problems. Some reasons for applying Z-numbers in neural networks are as follows:

- I. In a case that crisp values cannot be implemented, uncertain values such as Z-numbers are utilized.
- II. Since the training, as well as learning, assist neural network to have a high performance in unanticipated status, therefore in such status, uncertain values like Z-numbers are more suitable than crisp values.

G. Complexity in Applying Z-Numbers in Neural Networks

There exist some troubles when utilizing Z-numbers in neural networks. The complexity is associated with membership rules, the requirement to construct an uncertain system since it is often difficult to derive it by supplied set of complicated data.

Neural networks can be used to train Z-numbers that have the following advantageous:

- I. Novel patterns of data may be learned simply using neural networks therefore, it may be utilized for preprocessing data in uncertain systems.
- II. Neural networks due to their abilities in learning new relation with new input data may be utilized for refining fuzzy rules to generate the fuzzy adaptive system.

Example 2 The photo voltaic cells (PV cells) have been used for generating electricity from sun which are modeled in a parallel form, see Figure 4. The power generation using PV cells can be modeled as below,

$$J = a_1 p_1 q_1 \oplus a_2 p_2 q_2 \oplus a_3 p_3 q_3 \oplus a_4 p_4 q_4 \quad (12)$$

such that $p_1 = \rho, p_2 = \sqrt{\rho}, p_3 = \frac{\rho}{4}, p_4 = \rho^3$ are the currents also $q_1 = 2\varphi, q_2 = \sqrt{3\varphi}, q_3 = \frac{\varphi}{2}, q_4 = \varphi^4$ are the voltages generated by PV cells. We have,

$$\begin{aligned} a_1 &= [(3,6,8), p(0.7,0.83,0.9)] \\ a_2 &= [(2,5,9), p(0.8,0.9,1)] \\ a_3 &= [(4,5,9), p(0.7,0.87,0.9)] \\ a_4 &= [(7,10,12), p(0.8,0.85,0.92)] \end{aligned} \quad (13)$$

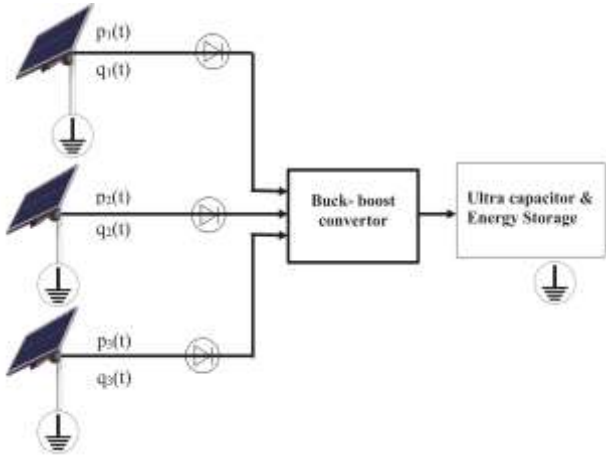


Figure 4. PV cells

We have,

$$\rho = \begin{Bmatrix} [(2,6,7), p(0.8,0.85,0.92)], \\ [(11,14,19), p(0.7,0.86,0.9)], \\ [(9,11,13), p(0.8,0.9,1)], \\ [(1,2,3), p(0.7,0.83,0.9)] \end{Bmatrix} \quad (14)$$

$$\varphi = \begin{Bmatrix} [(1,2,5), p(0.7,0.82,0.9)] \\ [(10,12,14), p(0.85,0.9,1)] \\ [(9,11,15), p(0.71,0.87,0.9)] \\ [(3,6,7), p(0.8,0.85,0.91)] \end{Bmatrix} \quad (15)$$

The outputs data related to (12) are

$$J = \begin{Bmatrix} [(723.32,752.91,791.23), p(0.7,0.86,0.9)], \\ [(5123.63,7564.17,9233.22), p(0.8,0.9,1)], \\ [(3121.63,3789.92,4462.31), p(0.85,0.9,1)], \\ [(753.82,811.44,883.94), p(0.71,0.87,0.9)] \end{Bmatrix} \quad (16)$$

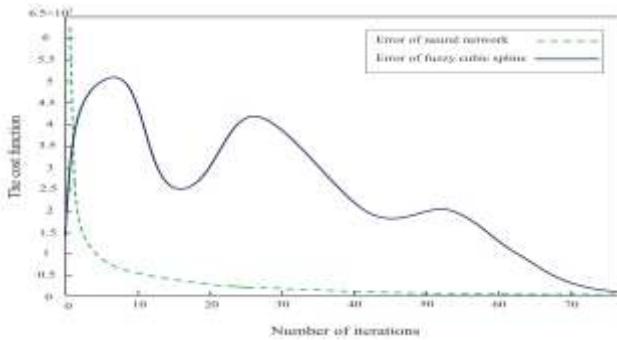


Figure 5. Approximated errors

Figure 5 demonstrates the approximated errors. The fuzzy cubic spline technique has been used for comparison.

Example 3 We have,

$$\begin{cases} (6,8,10) \odot V \odot I \oplus (4,7,9) \odot V^2 \odot I^2 \\ = (52.1453,7123) \\ (8,11,13) \odot V \odot I \oplus (5,7,10) \odot V^2 \odot I^2 \\ = (74.2134,9651) \end{cases} \quad (17)$$

such that $V = (-6, -4, -1)$ and $(-7, -6, -3)$ are the exact solutions. Neural network technique can be used for obtaining the approximate solutions of (12). The error between the approximate solutions and the exact solutions is demonstrated in Figure 6.

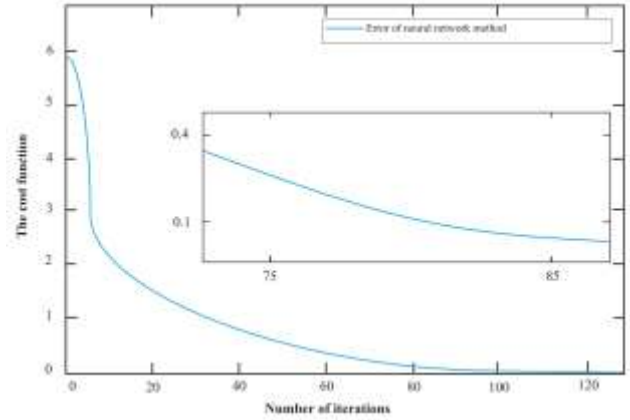


Figure 6. Approximated errors

IV. CONCLUSION

Engineers are always dealing with many different kinds of measures as well as evaluations. Nevertheless, all the measurement of information may not be represented as an explicit number. In this work, the current applications of the neuro-fuzzy in industrial engineering are given. The neuro-fuzzy is one of the major computational intelligence approaches. Implementation of this technique may be considered as an inexpensive, highly potent, as well as more reliable alternative tool. Hence, this approach provides high capability to problem solving when compared with other approaches.

REFERENCES

- [1] C.V. Negoita, and D.A. Ralescu, Applications of Fuzzy Sets to Systems Analysis, Wiley, New York, 1975.
- [2] L.A. Zadeh, Probability measures of fuzzy events, Journal of Mathematical Analysis and Applications, Vol.23, pp.421-427, 1968.
- [3] L.A. Zadeh, Calculus of fuzzy restrictions, Fuzzy sets and Their Applications to Cognitive and Decision Processes, Academic Press, New York, pp.1-39, 1975.
- [4] L.A. Zadeh, Fuzzy logic and the calculi of fuzzy rules and fuzzy graphs, Multiple-Valued Logic, Vol. 1, pp.1-38, 1996.
- [5] M.B. Babanlia, and V.M. Huseynov, Z-number-based alloy selection problem, 12th International Conference on Application of Fuzzy Systems and Soft Computing, ICAFS 2016, 29-30 August 2016, Vienna, Austria, Procedia Computer Science, Vol. 102, pp.183-189, 2016.
- [6] R. Jafari, S. Razvarz, A. Gegov, S. Paul, and S. Keshtkar, Fuzzy Sumudu Transform Approach to Solving Fuzzy Differential Equations With ZNumbers, Advanced Fuzzy Logic Approaches in Engineering Science, IGI Global, 2018, doi:10.4018/978-1-5225-5709-8.ch002.
- [7] A. Jafarian, and R. Jafari, Simulation and evaluation of fuzzy polynomials by feed-back neural networks, 6th International Conference on Fuzzy Information and Engineering, Iran, Oct, Vol.1, pp.25-26, 2012.

- [8] W. Jiang, C. Xie, M. Zhuang, Y. Shou, and Y. Tang, Sensor Data Fusion with Z-Numbers and Its Application in Fault Diagnosis, *Sensors (Basel)*, Vol.16, doi:10.3390/s16091509, 2016.
- [9] S. Razvarz, R. Jafari, and A. Gegov, Solving Partial Differential Equations with Bernstein Neural Networks, *Advances in Computational Intelligence Systems. UKCI 2018. Advances in Intelligent Systems and Computing*, Vol.840, pp.57-70, 2019, doi:10.1007/978-3-319-97982-3-5.
- [10] A.M. Yaakob, and A. Gegov, Fuzzy rule based approach with Z-numbers for selection of alternatives using TOPSIS, *Proceedings of the IEEE International Conference on Fuzzy Systems*, pp.1-8, 2015.
- [11] N. Zamri, F. Ahmad, A.N.M. Rose, and M. Makhtar, A Fuzzy TOPSIS with Z-Numbers Approach for Evaluation on Accident at the Construction Site, *Proceedings of the International Conference on Soft Computing and Data Mining*, pp.41-50, 2016.
- [12] L. Barelli, and G. Bidini, Design of the measurements validation procedure and the expert system architecture for a cogeneration internal combustion engine, *Applied Thermal Engineering*, Vol.25, pp.2698-2714, 2005.
- [13] R. Jafari, S. Razvarz, A. Gegov, and S. Paul, Modeling and Control of Uncertain Nonlinear Systems, *International Conference on Intelligent Systems (IS2018)*, 25-27 September 2018, Madeira Island, Portugal, 2018, doi:10.1109/IS.2018.8710463.
- [14] R.H. Abiyev, K. Uyar, U. Ilhan, E. Imanov, and E. Abiyeva, Estimation of Food Security Risk Level Using Z-Number-Based Fuzzy System, *Journal of Food Quality*, 2018, Article ID 2760907, 9 pages, <https://doi.org/10.1155/2018/2760907>, 2018.
- [15] H. Bersini, J. Nordvik, and A. Bonarini, A simple direct adaptive fuzzy controller derived from its neural equivalent, *Proc. 1993 IEEE Int. Conf. on Fuzzy System*, Vol.1, pp.345-350, 1993.
- [16] A. Khajeh, H. Modarress, and B. Rezaee, Application of adaptive neurofuzzy inference system for solubility prediction of carbon dioxide in polymers, *Expert Systems with Applications*, Vol.36, pp.5728-5732, 2009.
- [17] Md.Sh.J. Hossain, and N. Ahmad, A Neuro-fuzzy Approach to Select Cutting Parameters for Commercial Die Manufacturing, *Procedia Engineering*, 90, 753-759, 2014.
- [18] R. Jafari, W. Yu, and X. Li, Numerical solution of fuzzy equations with Znumbers using neural networks, *Intelligent automation and Soft Computing*, pp.1-7, 2017.
- [19] R. Jafari, S. Razvarz, W. Yu, A. Gegov, M. Goodwin, and M. Adda, Genetic Algorithm Modeling for Photocatalytic Elimination of Impurity in Wastewater, *Intelligent Systems Conference (IntelliSys) 2019*, 5-6 September 2019 - London, United Kingdom, 2019, doi:<https://doi.org/10.1007/978-3-030-29516-5-17>.
- [20] S. Razvarz, and R. Jafari, ICA and ANN Modeling for Photocatalytic Removal of Pollution in Wastewater, *Mathematical and Computational Applications*, Vol.22, pp.38-48, 2017.