

Modeling of a New High Voltage Power Supply for Microwave Generators with Three Magnetrons

B. Bahani*, A. Bouzit*, M. Chraygane*, M. Ferfra**, N. El Ghazal*, A. Belhaiba*

* Laboratory of Materials, Systems and Information of Technology (MSTI), High School of Technology, IbnouZohr University, BP: 33/S 80000, Agadir-Morocco

** Electrical Engineering, Power Electronics Laboratory (EMI), Mohammadia's School of Engineering, Mohamed V University, BP: 765, IbnSina, Rabat-Morocco

Article Info

Article history:

Received Jan 6, 2013

Revised Mar 14, 2013

Accepted Mar 26, 2013

Keyword:

High Voltage (HV)

Magnetron

Matlab-Simulink

Microwave

Modeling

New power supply

ABSTRACT

This original work treats the modeling of a new type of HV power supply with several magnetrons (treated case $N=3$ magnetrons). The design of this new power supply uses a new single-phase high voltage transformer with magnetic shunts supplying three doublers voltage cells, each one composed of a capacitor and a diode. Each cell supplies in its turn one magnetron. The π equivalent model of the transformer is developed taking account the saturation phenomena and the stabilization process of each magnetron current. The model of the transformer is based on the determination of the analytical expressions of the non linear inductances that can be stored from the fitting of the magnetization curve $B(H)$ of material used. The resulting model will be implemented under Matlab-Simulink code. The simulation results are in good agreement with the experimental measurement for one magnetron, thus provides, relative to the current device, gain of volume, weight and cost of all power supply with respecting the conditions recommended by the constructor of magnetron current: $I_{peak} < 1.2$ A, $I_{mean} \approx 300$ mA.

Copyright © 2013 Institute of Advanced Engineering and Science.
All rights reserved.

Corresponding Author:

B. Bahani,
Departement of Electrical and Computer,
High School of Technology, IbnouZohr University,
BP: 33/S 80000, Agadir-Morocco.
Email: b.bahani@gmail.com

1. INTRODUCTION

The new HV power supply for $N = 3$ magnetrons represented in the Figure 1 composed magnetic HV transformer supplying three cells voltage doublers and current stabilizers [19], [4], [3], [2], [17], [8]. The electrical characteristics laid down by the constructor of the magnetron [19], [16] require a special power supply. The trend toward the new power supply device with several magnetrons will therefore be a different version of the single-phase model currently used for domestic microwave ovens and industrial applications. The new device composed essentially of a single-phase transformer (Figure 1) [9], [15] supplying three identical magnetrons. The modeling of this new generation of power supply for several magnetrons necessarily passes by the modeling and the dimensioning of its own new HV transformer with magnetic shunts. This later ensures the stabilization of the current in each magnetron. Contrairely to conventional transformers, the leakage flux in the shunt is of the same order of magnitude that the primary and the secondary fluxes.

From the modeling [21], [7], [11] and the knowledge of the nominal operation of the current HV power supply for a magnetron 800 Watts-2450 MHz, this paper fits into the development of a new generation of HV transformer supplying $N = 3$ magnetrons. That will have multiple advantages as regards the reduction of weight, volume, electrical wiring, and thus the cost of realization and maintenance of the total device. Our

interest in this work is firstly, to develop a new model of the transformer supplying $N=3$ magnetrons. And secondly to verify the regulation process of the voltage and the magnetron current.

This work is organized as follows: Firstly, we will establish the π model representative of the transformer with $N = 3$ magnetrons. Its saturable inductances are able to translate the nonlinear saturation phenomena. Each one of them in this model is characterized by the nonlinear relation between current and flux. The determination of characteristics is directly obtained from the geometric parameters and the magnetic circuit quality represented by the magnetization curve $B(H)$.

Secondly, we will implement and validate this model of transformer with magnetic shunts under Matlab-Simulink code. This tool has allowed us to introduce an unlimited number of points of the magnetization curve $B(H)$. After that, we will present the simulated curves of voltages and currents obtained by Matlab-Simulink of this new power supply with $N = 3$ magnetrons.

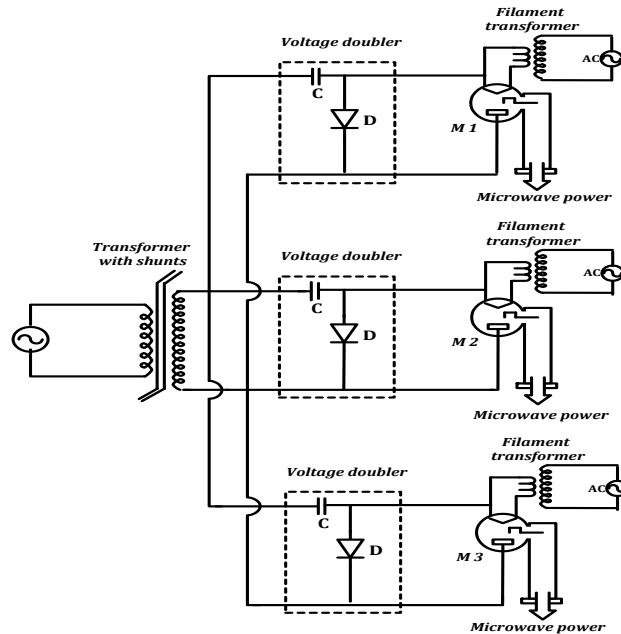


Figure 1. New HV power supply for microwave generator with $N=3$ magnetrons

2. MODELING OF THE NEW HV POWER SUPPLY OF MICROWAVE GENERATOR WITH $N=3$ MAGNETRONS

The modeling [19], [5], [10], [1], [18], [13], [14], [6], [12] of the HV power supply for three magnetrons 800 Watts-2450 MHz, leads essentially to the modeling of its special HV transformer with magnetic shunts. This transformer ensures the stabilization of the average anodic current in each magnetron. It is suitable for modeling the whole by a powerful tool for the numerical calculation of Matlab-Simulink.

The equivalent diagram must translate the behavior of the whole, including the three magnetrons and the transformer cannot be separated from the external circuits. The analytical processing is too complex, the solution, thus can be only numeric using suitable software (Matlab-Simulink).

The Figure 2 shows the integration of the model of the new transformer in the circuit of the new HV power supply from the source to the magnetrons.

Each inductance of this model is a function of the reluctance of the portion of the magnetic circuit that it represents. The simulation by Matlab-Simulink, in non linear regime related to the saturation of magnetic circuits, is possible. Then each non linear inductive element is represented by its characteristic, depending on the relation:

$$n_2 * \Phi = n_2 * B * S$$

$$i = (H * \ell) / n_2$$

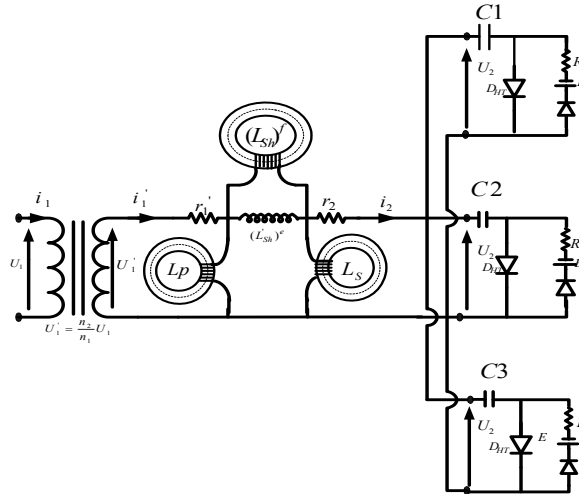


Figure 2. Equivalent circuit of new power supply for N = 3 magnetrons

Under matlab-Simulink each inductance is represented by a block diagram (Figure 3) and its elements are the following:

1. An integrator allows us to deduced the flux from the voltage.
2. A function called Lookkup table: this is a block which the input-output relation is defined by the user. In the dialog box, which is created when you click on the icon of the LUT. It deterines point by point the relation input-output of the couple values(i, Φ) deduced from those (H, B) and the geometrical data for the three inductances.
3. An imposed current source.

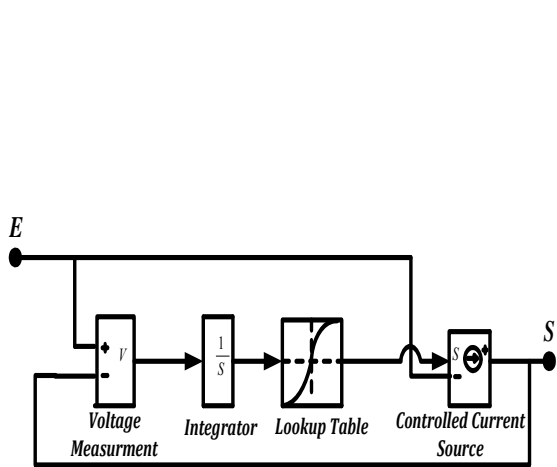


Figure 3. Block Diagram of a non-linear inductance under Matlab-Simulink

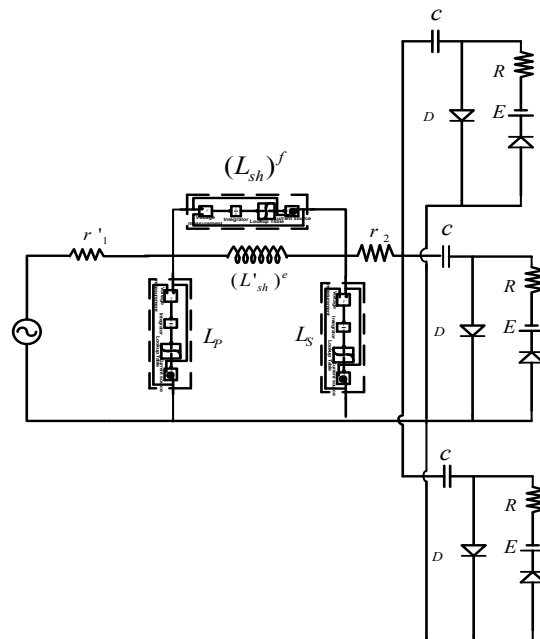


Figure 4. Circuit of the new HV power supply for N = 3 magnetrons simulated using Matlab-Simulink code in nominal mode (non-linear regime)

Thus, the Figure 4 shows the overall scheme of the HV power supply for three magnetrons simulated, using the software Matlab-Simulink.

We validate this model by comparing the results of simulations with those obtained from the tests already made [19], [21] on a generator microwave composed of the following elements:

1. A HV transformer with magnetic shunts characterized by: $f=50$ Hz, $S=1650$ VA, $U_1=220$ V, and $U_2=2330$ V (resistance of the primary referred to the secondary $r'_1=100\Omega$, secondary resistance $r_2=65\Omega$, number of primary turns: $n_1=224$, and number of turns in the secondary $n_2 = 2400$).
2. Three voltage doublers which each one is composed of a condenser with a capacity $C=0.9 \mu\text{F}$ and a high voltage diode DHT.
3. Three identical magnetrons which each one is designed to operate under voltage about 4000V. For its nominal power, it needs an average intensity $I_{\text{means}}=300\text{mA}$, but without exceeding the peak current may destroy it ($I_{\text{peak}}<1.2$ A).

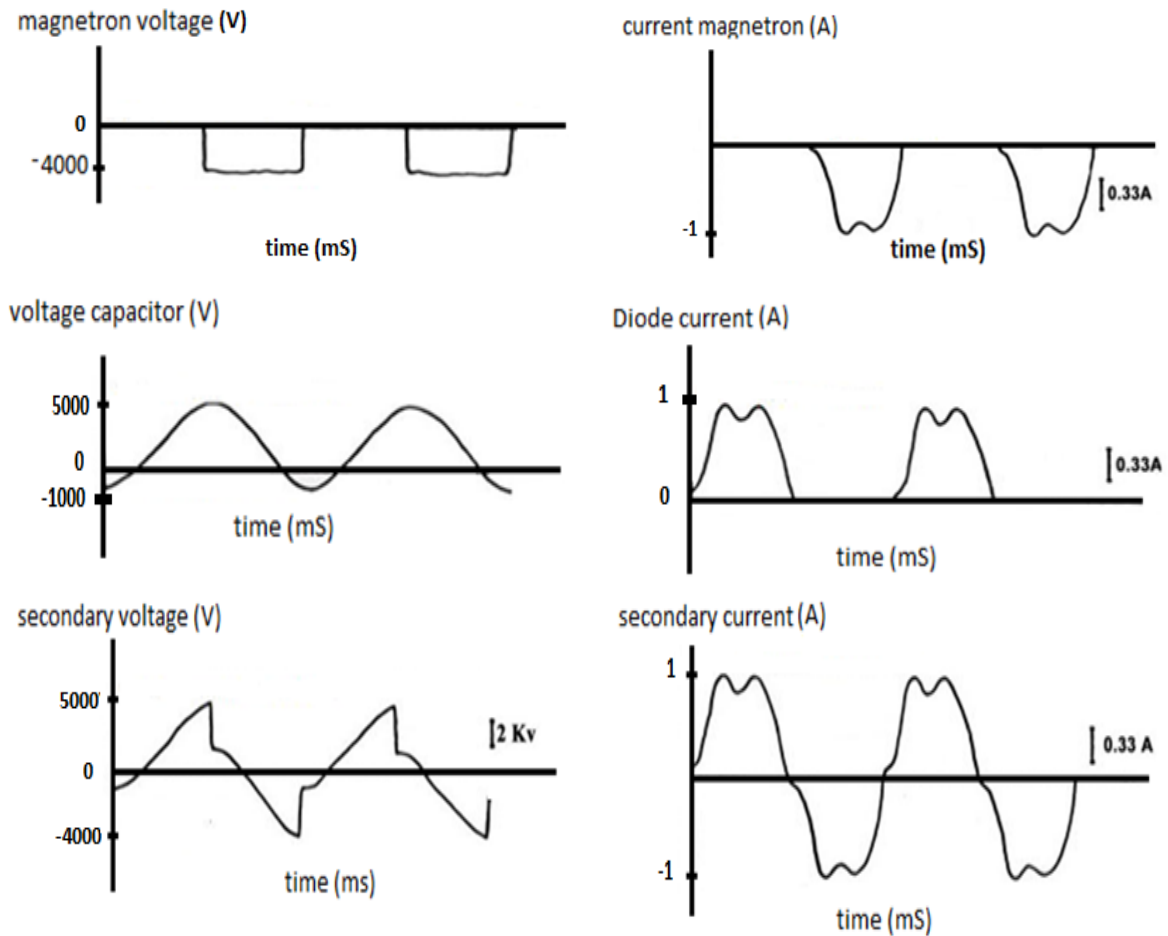


Figure 5. Experimental waveforms of currents and voltages for HV power supply with one magnetron(nominal mode)

The Figures 5 and 6 respectively present the resulting obtained in practice and those from simulation of the device by Matlab-Simulink together are in a better accordance. The peak current magnetron obtained by Matlab-Simulink (-0.96A) remains close -1A [9], [19]; after practical results. Indeed, from peak to peak value, the relative differences never exceed 6%. The simulation was satisfactory by Matlab-Simulink.

3. VERIFICATION OF PROCESS REGULATION OF VOLTAGE AND CURRENT MAGNETRON

During the simulation of the model using Matlab-Simulink, we were able to observe the stability of the variation of the magnetron current compared to the variation of the voltage. The following figures show the waveform of the magnetron current in case 200V and 240V ($\pm 10\%$) of the rated voltage. We find that the maximum amplitude of the current is not exceeded the permissible value recommended by the constructor

($I_{max} = 1.2A$). We can say that with this model, the stabilization of the magnetron current is completely recovered.

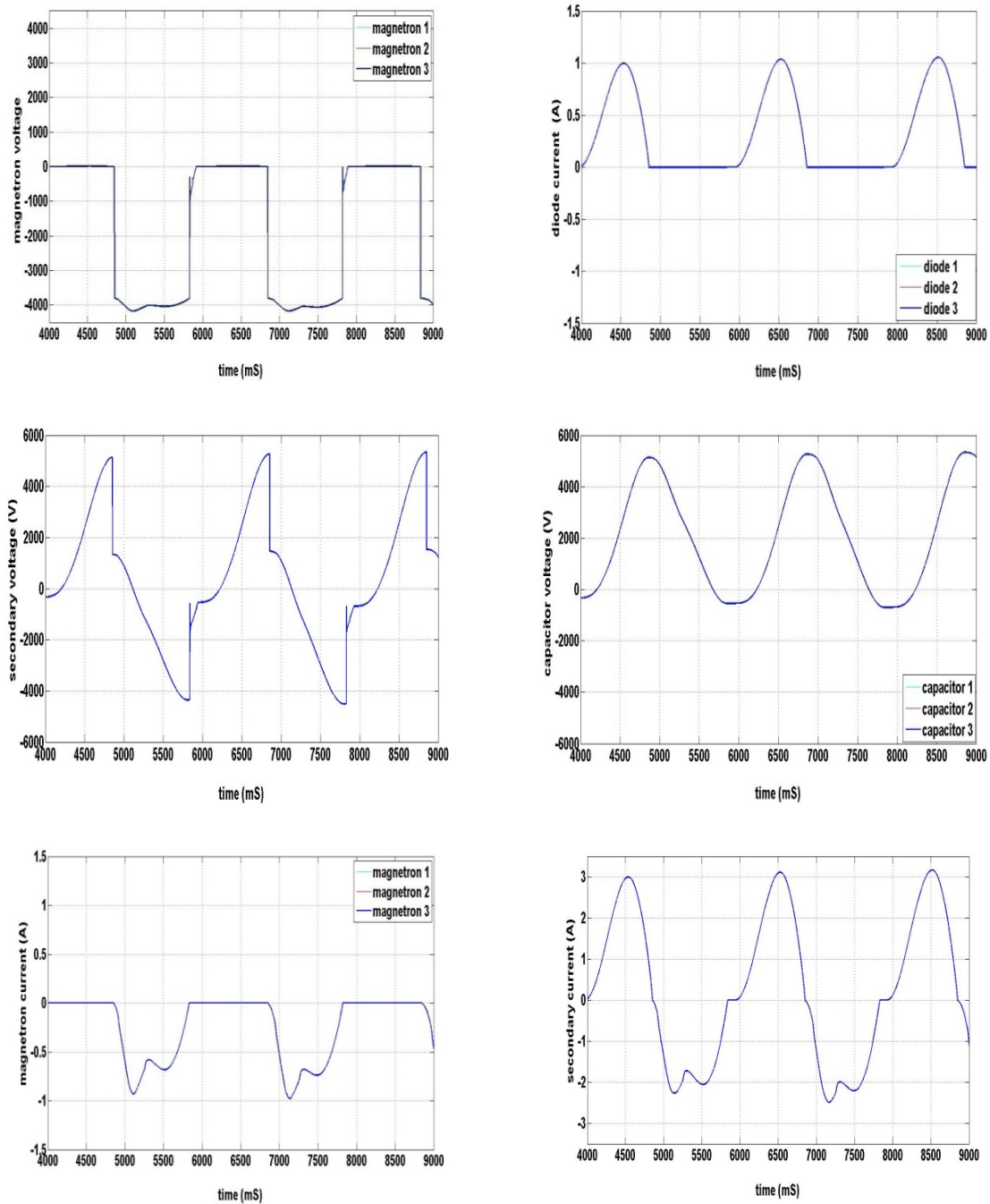


Figure 6. Simulation with Matlab-Simulink code: waveforms of voltages and currents of this new HV with N=3 magnetrons (nominal mode)

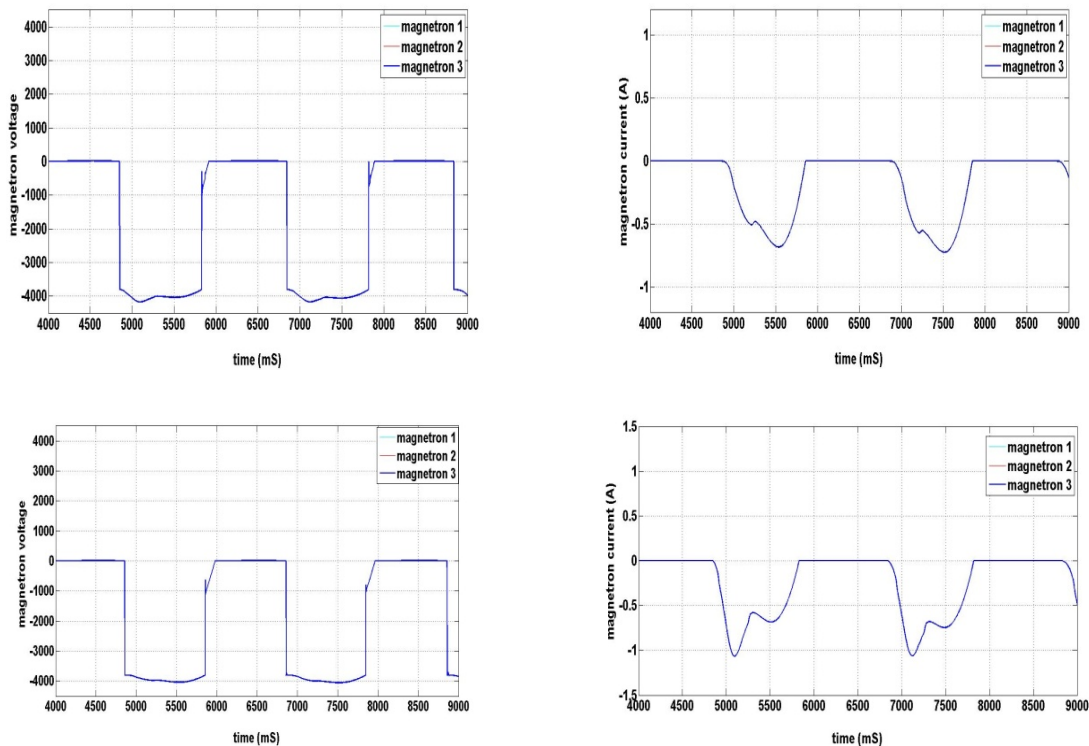


Figure 7. The stabilization of the anode current of the magnetron with respect to variations of supply voltage ($\pm 10\%$) of the rated voltage

4. CONCLUSION

The validation of the π model equivalent of the new HV transformer with magnetic shunts for $N=3$ magnetrons under Matlab-Simulink code in nominal mode is conclusive. The three magnetrons can operate without any problem of interaction between them. This new type of power supply can deliver up to $3 \times 800 = 2400$ Watts useful at 2450 MHz after his own adequately sized transformer with magnetic shunts.

The observations made using Matlab-Simulink code show an excellent agreement between the simulated and the experimental tests. This code has confirmed the validity of the model in the non linear mode. On the other hand, the failure of one of the three magnetrons doesn't affect the operation of the remaining magnetrons.

The future work will treat the possibility of functioning of HV single-phase power supply for $N > 3$ magnetrons which each one can deliver in nominal scale 800 Wts at 2450 MHz. On the other hand, we will treat the optimisation of this new system.

REFERENCES

- [1] Dick EP, Waston W. Transformers models for transient studies based on field measurements. *IEEE Transactions* (PAS-100, N°1). 1981; 409-419.
- [2] David Greene J, Gross CA. non linear modelling of transformers. *IEEE transactions On Industry Applications*. 1988; 24(3).
- [3] JR Lucas. Representation of magnetization curves over a wide region using a non-integer power series. *international J. Elect. Enging*. Edduc. 1988; 25: 335-340.
- [4] Aguil T, Chraygane M. An original power for microwave generators. *Revue Générale de l'Electricité - France*. 1990; 5: 49-51.
- [5] Chan JH, Vladimirescu A, Gao XC, Liebmann P, Valainis J. Non linear transformer model for circuit simulation. *IEEE Transactions on Computer-Aided*. 1991; 10(4).
- [6] Gill PE, W Murray, MH Wright. Numerical Linear Algebra and Optimization. *Addison Wesley*. 1991: 1.
- [7] Chraygane M, Teissier M, Jammal A. et Masson JP. Modeling of a transformer with shunts of HV power supply for microwave generators with magnetron. *Journal de physique III, France*. 1994; 2329-2338.
- [8] J Arrilaga, W Enright, NR Watson, AR Wood. *Improved simulation of HVDC converter transformers in the electromagnetic transient programs*. IEEE Proc-Gener. Transm.Distrib. 1997; 144(2).

- [9] Chraygane M. Modeling and optimization of a transformer with shunt of high voltage power supply for microwave generators with magnetron -2450MHz 800W used in industrial applications. *Thèse de doctorat, Université Claude Bernard Lyon I*. France. 1993; 189.
- [10] Guanghao Liu, Xiao-Bang Xu. Improved Modeling of the Nonlinear B–H Curve and Its Application in Power Cable Analysis. *IEEE Transaction on Magnetics*. 2002; 38(4).
- [11] Chraygane M, ferfra M, Hlimi B. Modeling of a high voltage supply for industrial microwave generating with magnetron. *La Revue 3EI*. Paris France. 2005; 41: 37-47.
- [12] B Kawkabani, JJ Simond. Improved Modeling of Three-Phase Transformer Analysis Based on Magnetic Equivalent Circuit Diagrams And Taking Into Account Nonlinear B-H Curve. *Journal Electromotion*. 2006; 13(1): 5-10.
- [13] Mukerji Saurabh Kumar, Goel Sandeep Kumar, Basu Kartik Prasad. Experimental determination of equivalent-circuit parameters for transformers with large series-branch impedances. *International Journal of Electrical Engineering Education*. 2006; 4: 352-357.
- [14] AD Theocharis, J Milias Argitis, Th Zacharias. Single-phase transformer model including magnetic hysteresis, and eddy currents. *Electr Eng.*. 2008; 90: 229–241.
- [15] M Chraygane, M Ferfra, B Hlimi. Analytical determination of flux and current of leakage transformer of a high voltage power supply for industrial microwave generators with magnetron 800 Watts to 2450 MHz. *Physical and Chemical News PCN*. 2008; 40: 51-61.
- [16] Jouni Pylvänäinen, Kirsi Nousiainen, Pekka Verho. Studies to Utilise Calculated Condition Information and Measurements for Transformer Condition Assessment. *International Review of Electrical Engineering (I.R.E.E.)*. 2009; 4(4): 684-689.
- [17] A Pleşca, M Adam, A Baraboi, C Pancu. New Device to Adjust On Load the Voltage Level at Power Transformers. *International Review of Electrical Engineering (I.R.E.E.)*. 2009; 4(1): 66-74.
- [18] M Delshad, A Soft Switching Six Switch Current-Fed Converter with Voltage Doubler. *International Review of Electrical Engineering (I.R.E.E.)*. 2009; 4(3): 374-379.
- [19] M Ould Ahmedou, M Chraygane, M Ferfra. New π Model Validation Approach to the Leakage Flux Transformer of a High Voltage Power Supply Used for Magnetron for the Industrial Micro-Waves Generators 800 Watts. *International Review of Electrical Engineering (I.R.E.E.)*. 2010; 5(3): 1003-1011.
- [20] H Ouaddi, S Baranowski, Nadir Idir. High frequency modelling of power transformer: Application to railway substation in scale model. *Przegląd Elektrotechniczny (Electrical Review)*. 2010; 165-169.
- [21] Belhaiba, N Elghazal, M Chraygane, M Ferfra, B Bahani, M Ould Ahmedou. Improved Optimization of the Nominal Functioning of a High Voltage Power Supply N=2 Magnetrons for Microwaves Generator. *International Journal of Electrical and Computer Engineering (IJECE)*. 2012; 2(5): 708-7016.

BIOGRAPHIES OF AUTHORS



Boubkar BAHANI was born on 15/03/1986 in TIMASLA ZAGORA; Morocco. He obtained his Master degree in 2010 onelectrical engineering and power electronics from the faculty of sciences of Ibnou Zohr University in Agadir-Morocco. He is now pursuing his P.H.D program in high school of technology of Ibnou Zohr University, which is concerned with the electrical engineering.



Naama Elghazal was born in Laayoune, Morocco, in 08/04/1984; he received the Master in 2010 in instrumentation and Telecommunications from faculty of sciences (Ibn Zohr University) Agadir-Morocco, where he pursues his doctoral program. His research is interested in high school of technology Agadir- Morocco



Mohammed Chraygane was born in Morocco in 1963, he received his thesis of doctorat from Claude Bernard University Lyon I in 1993 and his ‘doctorat d’état’ from Ibn Zohr University Agadir-Morocco in 2007. In 1994, he joined Technology Higher School Ibnou Zohr University Agadir Morocco (ESTA). Since this date he has been a professor in MSTI Laboratory (ESTA School Ibnou Zohr University Agadir Morocco Agadir). His field of interest is modeling a high voltage power supply used for industrial microwaves generators with magnetron.