



# MARINE FISHERIES INFORMATION SERVICE

No. 180

April, May, June, 2004



TECHNICAL AND EXTENSION SERIES

CENTRAL MARINE FISHERIES RESEARCH INSTITUTE

COCHIN, INDIA

(INDIAN COUNCIL OF AGRICULTURAL RESEARCH)

Dol is an important gear employed to exploit catfishes at Versova. The introduction of a small gill net piece locally called 'Parkawala' is tied around the cod end of dol net to exploit catfishes in addition to regular catch of this gear. This net was found to be effective to catch bigger catfishes.

Parkawala is made of simple nylon webbing of mesh size 82-85 mm and 145-150 mm. The length and depth

of net is 13.5 x 10.5 - 12.5 m. The webbing hangs at one side over 4-6 mm rope and tied around the cod end of dol net. Each boat carries 6 to 9 pieces of this net to be replaced from time to time. The expenditure involved in fabricating a single piece of net is around Rs. 150/piece for smaller mesh net and Rs. 200/piece for bigger mesh net. It appears that while the catfish tries to feed on the fishes, prawns and cephalopods that try to escape from cod end of the dol nets, get entangled by their

Table 1 : Monthly average effort (No.of units), catch (in kg.) and catch per unit effort (kg.) and species composition of catfishes in Parkawala net at Versova during 1994-1999.

Months	Units	Catch	C/E	Species composition		
				<i>T.dussu mieri</i>	<i>T. cae- latus</i>	<i>T.sona</i>
Jan.	91	2471	27.2	1051	1420	0
Feb.	125	3104	24.8	894	2210	0
Mar.	176	5610	31.8	1697	3913	0
Apr.	337	10768	32.0	5803	4725	241
May	326	10602	32.5	6728	3643	231
Jun.	64	1800	28.2	1192	603	6
July	0	0	0.0	0	0	0
Aug.	0	0	0.0	0	0	0
Sep.	0	0	0.0	0	0	0
Oct.	10	466	46.6	0	466	0
Nov.	26	758	29.5	0	758	0
Dec.	51	1289	25.4	33	1257	0
Total	1206	36868	30.6	17397	18994	478
%				47.19	51.52	1.30

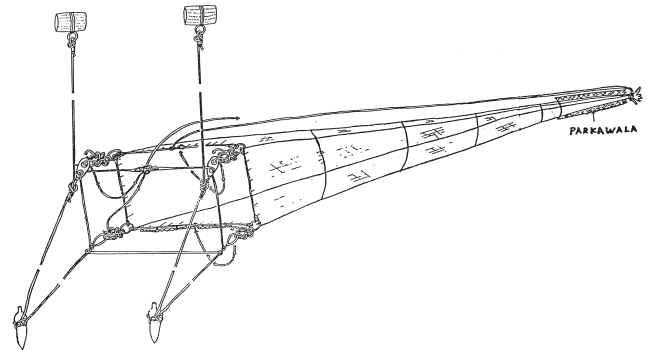


Fig.1. Dol net in operation with the parkawala net

serrated pectoral and dorsal spines in the 'parkawala' net.

The monthly average catch and catch per unit effort (1994-1999) in this net indicated that the highest catch was during April and May. The catfish fishery in this net was constituted mainly by *T. dussumieri* (63-97 cm), *T. caelatus* (18-48 cm) and *T. sona* (Table 1).

Prepared by : S.G. Raje, V.D. Deshmukh, Thakurdas and J.D. Sarang.

Mumbai Research Centre of C.M.F.R. Institute, Mumbai.