

SSC02-X-6

Lessons Learned of NSPO's Picosatellite Mission: YamSat - 1A, 1B & 1C

Chen-Joe Fong, Albert Lin, Allen Shie, Marco Yeh, Wen-Chen Chiou, Ming-Hsien Tsai, Pei-Yi Ho,
Chin-Wen Liu, Ming-Shong Chang, Hsu-Pan Pan, Steven Tsai, Chiuder Hsiao

National Space Program Office, Taiwan, R.O.C., <http://www.nspo.gov.tw/>

Tel: 886-3-578-4208x9202, E-mail: cjfong@nspo.gov.tw

Chi-Hung Hwang

Precision Instrument Development Center, Taiwan, R.O.C.

Kuei-Shu Chang-Liao

National Tsing-Hua University, Taiwan, R.O.C.

Lin-Kun Wang

National Cheng-Kung University, Taiwan, R.O.C.

Abstract

The YamSat is the first developed picosatellite in National Space Program Office's (NSPO), Taiwan, R.O.C. It is scheduled to flight in the CubeSat launch in 2003. The rapid-prototyping system engineering different from the past formal discipline opens a new satellite development model in NSPO. The YamSat Test Readiness Review Meeting was successfully held in January 2002 and the environmental tests were completed by end March 2002. Besides the breadboard model and engineering test bed to prove of operation concept are built, three YamSats (1A, 1B, & 1C) instead of one are manufactured with slightly different configurations and purposes. The YamSat-1A is for flight with ambitious and novel R.O.C. made components, including 15 domestic organizations and companies' participation. The YamSat-1B is basically for backup purpose and demonstration, whereas the YamSat-1C is for amateur communication experiment end-to-end field test, and for public education purpose. This new experience gives fruitful lessons learned and provides low cost space experimentation and education to the next built picosatellites in Taiwan's universities. Detailed mission and lessons learned are addressed in this paper.

TABLE OF CONTENTS

1. Introduction
2. YamSat Program Overview
3. YamSat Design and Analysis
4. Integration and Test
5. ROC Made Component
6. Lessons Learned
7. Conclusions
8. Acknowledgements
9. References

INTRODUCTION

Following the world newly trend toward small-size satellites, NSPO is developing its first picosatellite, with a weight of 1 kg or less. Due to the advent of micro-electro-mechanical-systems (MEMS) technology or Micor- / Nano- Technology (MNT) in recent years, it becomes feasible to reduce the size of satellite and its components by an order of magnitude or more. In February 2000, the Stanford University OPAL micro satellite successfully deployed Aerospace's Picosatellites in orbit¹. Since then it opened a new era of picosatellite development and produces a new generation of CubeSat class

picosatellites which now being developed by a number of universities and organizations over the world. YamSat-1A, 1B & 1C, belong to the CubeSat class and is the first pico-satellite developed by NSPO, has a size of 10cm x 10cm x 10cm and contains MEMS technology micro-spectrometer payload and amateur communication payload as its Y-A-M mission.

YAMSAT PROGRAM OVERVIEW²

The origin of this YamSat program came from a series of lectures called "Spacecraft System Design" in early 2001 and was given by professor J. N. Juang, held in National Center for High-Performance Computing (NCHC), Taiwan, R.O.C. The target of YamSat's mission life is 1 month and the design life is 2 months. The total dose is designed to meet 1k rad (Si) in one month under the shielding using 1mm thickness of aluminum side panels. The designed orbit is 650km altitude with 62 deg inclination angle based on the planned CubeSats launch program. There will be 14 or 15 revolutions per day and four contacts with Taiwan TT&C amateur ground station. Total contact time is between 400~800 sec and average contact time is 10 minutes. Table 1 shows the main characteristics of YamSat mission and Table 2 shows the current

YamSat development schedule.

Table 1 Main Characteristics of YamSat Mission

Y-A-M mission

The objectives of the YamSat program are "Y-A-M" and addressed hereafter. The first letter "Y" represents a vital and native yam, which is like the shape of the Taiwan Island. In this program we try to use as many as possible of ROC made components, for example, the solar cell, micro-controller, magnetic coil, antenna deployed mechanism, structure, ... etc. The letter "Y" also means a team of NSPO young engineers to develop a low-cost, short scheduling, quick turn-around program capability and model. This includes conceptual feasibility study, program planning, program execution, components

Table 2 YamSat Development Schedule

Main Activities	Start ~ End	Period
1. Working Start Date (WSD)	2001/03/29	
2. Mission Analysis and System Design	2001/04~05	2 months
3. System Design Review (SDR)	2001/5/28	
4. Preliminary Design	2001/06~07	2 months
5. Preliminary Design Review (PDR)	2001/07/24	
6. Critical Design	2001/08~09	2 months
7. Critical Design Review (CDR)	2001/09/27	
8. Flight Hardware Manufacture and Assembly	2001/10~12	3 months
9. Test Readiness Review (TRR)	2002/01/15	
10. Satellite Environmental Testing	2002/01~03	3 months
Total Period		1 year

Chen-Joe Fong

procurement, system design and development, manufacture, assembly, integration, testing, ground station build-up and mission operation.

The second letter "A" represents the amateur radio VHF communication payload used in the program. The Taiwan Amateur Satellite Association (TAMSAT) provides their technology support on both of the TT&C subsystem and the amateur communication experiment. YamSat also uses the newly-built amateur communication ground station. The amateur communication experiment will be presented to the worldwide amateur radio users. The third letter "M" represents the micro-spectrometer payload in which the diffraction device is based on the MEMS technology. The micro-spectrometer is used to measure the sunlight scattering spectrum from the atmosphere and is developed by the Precision Instrument Development Center Remote Sensing Lab (PIDC), Taiwan, R.O.C.

YamSat-1A, 1B & 1C

Besides the breadboard model and engineering test bed to prove of operation concept were built, three YamSats (1A, 1B, & 1C) instead of one were

Table 3 Difference Among YamSat-1A, 1B, & 1C:

Items	YamSat-1A	YamSat-1B	YamSat-1C
Purpose	Final Flight	Backup Demonstration	Outdoor Amateur payload End-to-End Field Test & Public Education
Solar Panel with Cells	1 Si + 5 GaAs	6 Si	None
Battery	E-ONE ICR18500A	Panasonic P-150S	either
DRU	Low Battery Circuit for ICR18500A	Low Battery Circuit for P-150S	Low Battery Circuit for ICR18500A
Magnetometer	One	One	None
Other parts	Same	Same	Same

manufactured with slightly different configurations and purposes. The YamSat-1A is for flight with ambitious and novel R.O.C. made components provided by 15 domestic organizations and companies. The YamSat-1B is basically for backup purpose and for demonstration, whereas the YamSat-1C is for amateur payload end-to-end field test and for Public Education purpose. Table 3 shows the difference among YamSat-1A, 1B, & 1C. Figure 1 shows the picture of YamSat-1A and 1-B.



Figure 1 YamSat 1-A & 1-B

YAMSAT DESIGN & ANALYSIS

YamSat hardware configuration is shown in Figure 2. YamSat is controlled by an 80C52 micro-controller with the B-Dot attitude control mechanism and the amateur-band communications link. Its power subsystem consists of surface-mounted GaAs/Si solar cells and rechargeable batteries. The YamSat satellite is planned to be packed into a deployer device built by California Polytechnic State University, called "P-Pod". It can open its door and release its contents of pico-satellites like a pea pod into a low earth orbit. In a box with a size of only 10cm x 10cm x 10cm, YamSat contains a battery, a micro-spectrometer payload, a attitude control system with two magnetic coils and one magnetometer, and circuit boards for Telemetry Track and Command.

The YamSat satellite are divided into eight subsystems – Payload, Structure, Command & Data Handling (C&DH), Tracking, Telemetry & Command (TT&C), Electrical Power, Attitude Determination and Control, Thermal Control and Flight Software. The design and analysis of each subsystem are described in the following sections.

Payload - Micro-spectrometer

The potential scientific capability of the micro-spectrometer is used to study the atmosphere condition from the unusual albedo value, e.g., volcanic

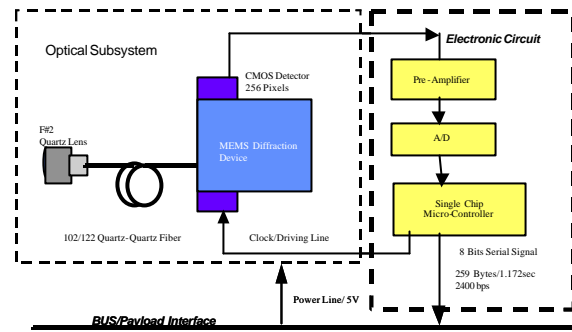


Figure 3 Micro-Spectrometer Block Diagram

aerosol, by measuring the solar energy reflected from the Earth (Albedo); and to study the atmosphere elements by measuring the sunlight scattering spectrum from the atmosphere. Another goal of the micro-spectrometer is to demonstrate the engineering feasibility of using an optical system as a YamSat payload. The MEMS technology is used to meet the mass and power requirements. The functional block diagram of the micro-spectrometer is shown as Figure 3.

All the electronic components and opto-mechanics parts are fitted onto one single 8cm x 8cm circuit board. A mini-aperture lens with F-number 2 is mounted on the +X axis panel to collect the light coming from +Z direction. For severe environment consideration, quartz made lens and optical fiber are selected. The collected light is guided to a CMOS detector through the diffraction device by a 30 cm optical fiber. The

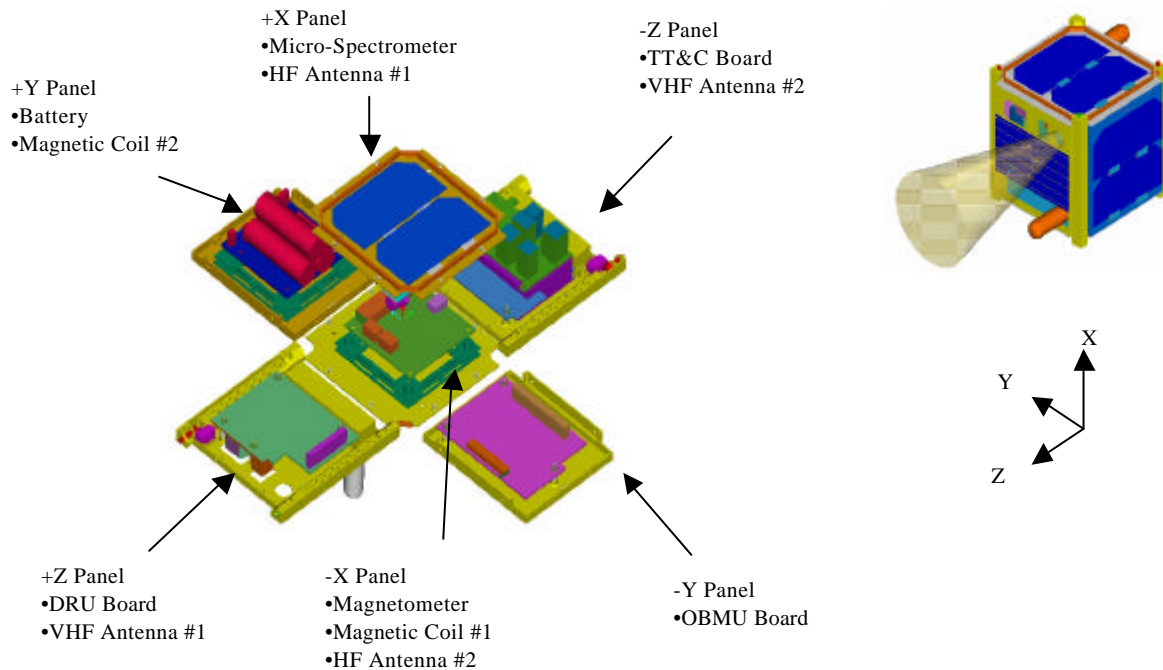


Figure 2 YamSat Hardware Configuration

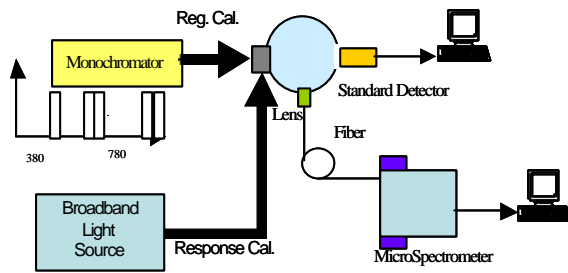


Figure 4 Spectral Calibration System Setup

optical fiber is used as a light guider and the slit of spectrometer. The diffraction device is made by LIGA technology.

The light is separated by the diffraction device and projected to a CMOS detector with 256 pixels. The detection spectrum range is within 380 nm - 780 nm. The spectrum resolution is 12 nm. The generation rate of science data is set to 259 bytes/1.172sec. The PIC16C76 is used as the controller. The science data

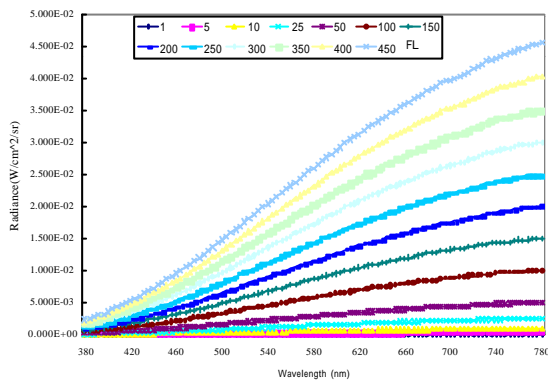


Figure 5(a) Irradiance of Light Source measured by Calibrated Sensor

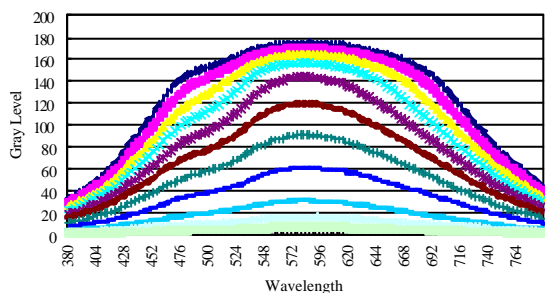
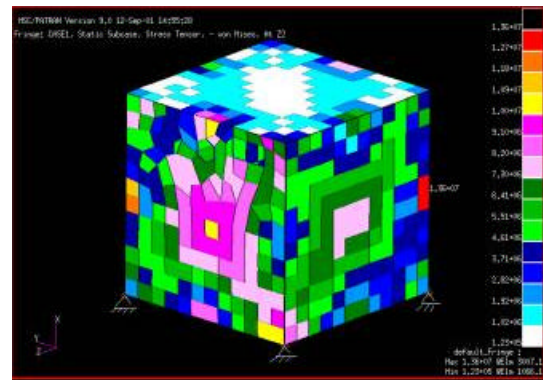


Figure 5(b) Irradiance of Light Source Calibrated by Micro-Spectrometer

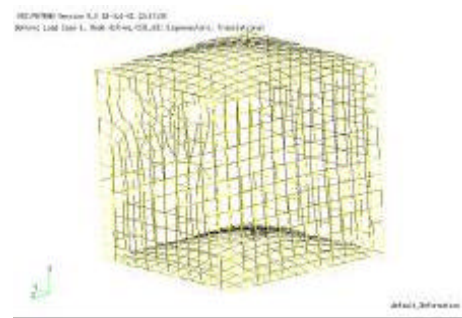
and status of health data are transmitted to the main on-board controller via UART interface at rate of 2400 bps.

In order to convert digital signal corrected by micro-spectrometer into usable data, two kinds of spectral calibrations are performed and here are Spectral Register Calibration and Spectral Response Calibration. Figure 4 shows the calibration system set up. The purpose of Spectral Register Calibration is to allocate the CCD pixel into spectrum. Through

Chen-Joe Fong



(a)



(b)

Figure 6 Finite Element Simulation Result

Spectral Response Calibration, the obtained gray level can be converted into irradiance. As for Spectral Responsible Calibration, the light source is first measured by a calibrated sensor, then under the same condition (current, temperature, etc.), the calibrated sensor is replaced by micro-spectrometer and perform the measurement again, see Figure 5 (a) and (b). Because the calibrated sensor and micro-spectrometer are different, a system transferring function need to be established to correlate the measurement data.

Structure and Mechanism Subsystem (SMS)

The Structure and Mechanism Subsystem of the YamSat is designed, analyzed, and tested by NSPO SMS engineers, while the flight structure is contracted out and machined by the domestic manufacturer. The main requirements for SMS are defined according to YamSat size of 10cm X 10cm X 10cm. Total mass of the YamSat does not exceed 1 kg; Center of Gravity (CG) is located within 2 cm of the geometric center; and the actual location of the CG is known to within 10 mm accuracy. A kill switch (micro switch) is mounted to the exterior of the YamSat to turn off all power when the YamSat is compressed in the P-POD. The antenna deployment mechanism was designed and built by National Cheng Kung University.

All YamSat structures are constructed with 7075 type aluminum in order to avoid thermal mismatching between the P-POD deployer and YamSat. All electrical components are mounted on the side panels. On the +Z panel, the center hole is for the lens of the

micro-spectrometer. The other two holes are for flight jumpers and electrical test port. According to requirements of YamSat for quasi-static and dynamic loads, 3 load cases on the FEM of YamSat are applied. Load Case1: X=0, Y=15g, Z=15g; Load Case2: X=15g, Y=0, Z=15g; Load Case3: X=10.6g, Y=10.6, Z=15g. The finite element simulation analysis result is shown in Figure 6. The results for stress and dynamic analyses shows that all margin of safety are shown positive value and hence the design are acceptable.

Command and Data Handling (C&DH) Subsystem

Figure 7 shows the electrical block diagram of YamSat satellite. A domestic 80C52 micro-controller, Winbond's W77IE58, is chosen as the main on-board controller. The device is originally designed for industrial grade and the operation temperature range is -40°C to $+85^{\circ}\text{C}$. There is a 32k bytes internal flash ROM for the flight software. One 32K bytes SRAM chip, Winbond W24258, is used for the storage of the Status Of Health (SOH) data, science data and amateur communication message. Based on the radiation test, the CPU and RAM can endure 10 months radiation in this orbit. The W77IE58 provides two sets of serial ports: one is used for telecommand and telemetry interface with TT&C subsystem, and the other is used for science data path with the micro-spectrometer. The external power monitor and watchdog timer chip, MAX696, is used for safeguard purpose. There are three analog inputs from the 3-axis magnetometers, APL Model 113. There are two analog outputs for the magnetic coils to generate the magnetic torque. There are 5 bilevel commands to control the unit on/off and 8 bilevel telemetry to get the status of the units. There are 5 analog telemetry

channels for voltage, current, and temperature. There is one analog antenna deployment control to deploy two antennas, and one antenna deployed telemetry to avoid repeating deployment.

Tracking, Telemetry & Command (TT&C) Subsystem

The YamSat satellite provides telecommand / telemetry link margins of 6 dB at a BER of 1×10^{-6} and a data rate of 1200bps via FSK VHF band (145.85 MHz) over 85% of a sphere centered at the Satellite. A RF module in the YAESU VX-1R is used for the half duplex communication. The initialization, operation frequency setting, and receive/transmit switching are controlled by the flight software. The Satellite is designed to downlink science data, Status of Health (SOH) data and amateur communication message data via VHF downlink communications. The telemetry format follows AX.25 protocol and is compatible with the amateur ground stations. Two commercial omni pole antennas with -5 dBi gain for amateur radio communication are used. The antenna length is 7 cm for each. The transmitter output power is 0.5W and the receiver sensitivity is -140dBm. There is one CW transmitter to transmit SOH data and YamSat call sign via 29.355MHz. The CW antennas are loop antenna type and the total length are about 1/4 wave length.

Electrical Power Subsystem (EPS)

The EPS is designed to generate, store, regulate, and distribute the electrical energy necessary for the whole satellite. In addition, a deployment circuit is designed to deploy the antenna. The primary power of EPS is provided by five strings of TEC3i GaAs solar

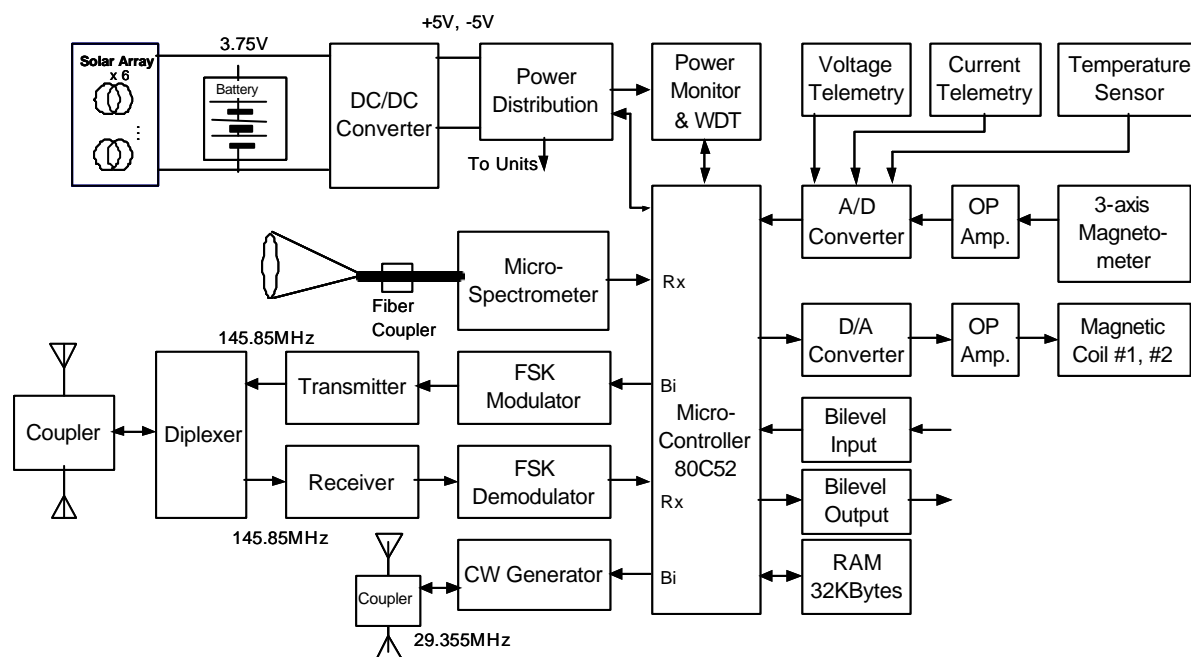


Figure 7 YamSat Electrical Block Diagram

cells and one string of Si solar cells manufactured by a domestic vendor, the Shihlin Electric & Engineering Corp for space proven. They are assembled and bounded space qualified, and the workmanship has been verified by inspection, adhesive test and electrical output test. Three ICR18500A rechargeable lithium-ion batteries manufactured by domestic vendor, the E-One Moli Energy Corp are responsible for energy storage. Vacuum test of battery under status below 10^{-4} mbar for 7 hours has been applied that approves its qualification in space environment. A DC/DC converter is designed to transfer battery voltage level around 3.6V to 5V for use of other subsystems except the transmitter and receiver that utilize power directly from battery. An additional low battery voltage protection circuit is implemented for extending the battery life and protecting sensitive loads. In case of lower battery voltage than 3.17V, the protection circuit will also cut off the power supply to flight computer and automatically restart it after the battery is charged to 3.84V. The conversion efficiency is above 70% according to the loading and the output power can reach 4.13W to meet the maximum power requirement. EPS also provide power switching to loads by using solid state power switches for power distribution. Through the comprehensive performance test they have tested and meet the requirements.

Five operation modes are designed for YamSat satellite and addressed as follows:

- (1) Launch Mode: During the launch, the battery and the solar arrays are disconnected from the satellite power bus by the kill switch. No power consumption during this mode.
- (2) Safe Mode: After separation, the battery and the solar arrays are connected to the satellite power bus. The On-Board Controller circuit (8052, RAM, AD/DA...), the CW Generator and the Receiver are powered ON.
- (3) Communication Mode: The transmitter is turned ON by uplink telecommand, then the SOH and science data are downlinked during 10 minutes contact time. After that, The transmitter is turned off by the period setting.
- (4) Imaging Mode: The Micro-Spectrometer is turned ON by uplink telecommand during the sun light. The duration is with 1 min.
- (5) Attitude Control Mode: The magnetometer and magnetic coils are turned ON by uplink telecommand

to stabilize the satellite.

Flight Software Subsystem (FSW)

The flight software development process follows waterfall approach iterative process through requirements definition, coding, testing, verification & validation (V&V). The overall flight software is considered as one CSCI which is divided into several CSCs such as mores code generation and transmission, b-dot attitude control algorithm, command reception and processing, AX.25 telemetry generation and transmission, anomaly detection and recovery...etc. The YamSat operation has some unique limitations due to hardware design architecture. For example, 1) command reception and telemetry transmission can't activate simultaneously since T&C RF with half-duplex capability only; 2)

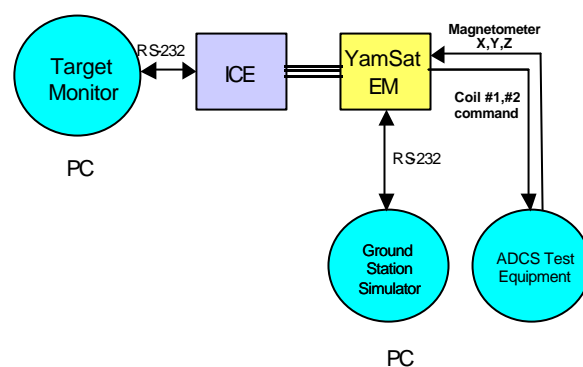


Figure 8 FSW Test Set / Simulator

payload data reception and AX.25 telemetry transmission can't occur at the same time because software must maintain 1.2 kbps data rate for telemetry transmission, so software has to disable all interrupts.

The flight software testing is divided into the following three stages: 1) using the Keil 8051 development tool to do unit testing & module integration testing under 8051 simulator environments; 2) performing SW/HW integration testing based on OBC EM; 3) performing end-to-end testing with YamSat flight model and ground support equipment. On the V&V phase, in order to validate b-dot control algorithms with real hardware I/O, it is necessary to set up a test set. The FSW test set / simulator is shown in Figure 8. In this test configuration the ADCS test equipment provides magnetometer data input to OBC and acquires the coil commands from OBC. The test results are compared with simulated results based on eight test cases of ADCS open loop test, see Figure 9.

Attitude Determination and Control Subsystem (ADCS)

The attitude determination is performed via one 3-axis magnetometer while the attitude control is performed by 2 magnetic coils based on the B-dot control algorithm. Software simulator is used to simulate the dynamic response of ADCS. The design of the system is validated and modified before hardware implementation. The simulator composes of external disturbances, spacecraft bus, sensors, actuators and control system. The external disturbance sources include gravity-gradient torque, aerodynamic torque, solar-radiation torque and earth-magnetic torque. The gravity-gradient torque is very small for a typical CubeSat.

The center of gravity offset is assumed to be 0.01 m for each axis, the atmospheric density is $6.0 \times 10^{-14} \text{ kg/m}^3$ at 650 km altitude; and the maximum value of the aerodynamic torque is $8.7 \times 10^{-10} \text{ N-m}$. The solar radiation torque (T_s) is a product of force arm (r_{mp}) and solar-radiation F_s . The absorption and diffuse reflection coefficient are assumed to be 0.72 and 1.0 respectively. The maximum value of the solar radiation torque is $1.2 \times 10^{-9} \text{ N-m}$. The residual magnetic dipole is assumed to be 0.001 Am^2 , the maximum value of the residual magnetic torque is $6.8 \times 10^{-8} \text{ N-m}$ for each axis. Moment of inertia are assumed to be $I_{xx} = 0.00133$, $I_{yy} = 0.002$, $I_{zz} = 0.00133$, $I_{xy} = I_{yz} = I_{zx} = 0$, the magnetic moment of each X-axis magnetic coil and Y-axis magnetic coil is 0.05 Am^2 , the initial body rate is $V_x = V_y = V_z = 5 \text{ deg/sec}$. Figure 10 shows the simulation profile result of the YamSat rate. According to the simulation result the satellite will be steady in 120 minutes and rotates at two times the orbital rate at -Y axis. The ADCS open loop test are performed and the test result is consistent with the simulation result (see Figure 9), and therefore the result is adopted.

Thermal Control Subsystem (TCS)³

The purpose of the satellite thermal control is to maintain each component within its specified

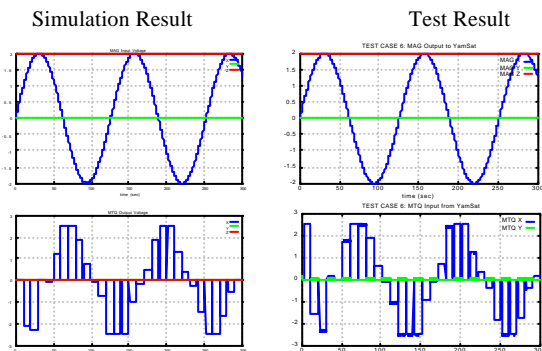


Figure 9 Test result and ADCS Open Loop Simulation Result

temperature range with required margins during all the mission phases. To reduce the power consumption, the thermal control is achieved through passive elements, such as insulation and surface finishes. The thermal analysis is based on the attitude control status that the negative Y-axis spin rate is 2 revolutions per orbit. The temperature requirements

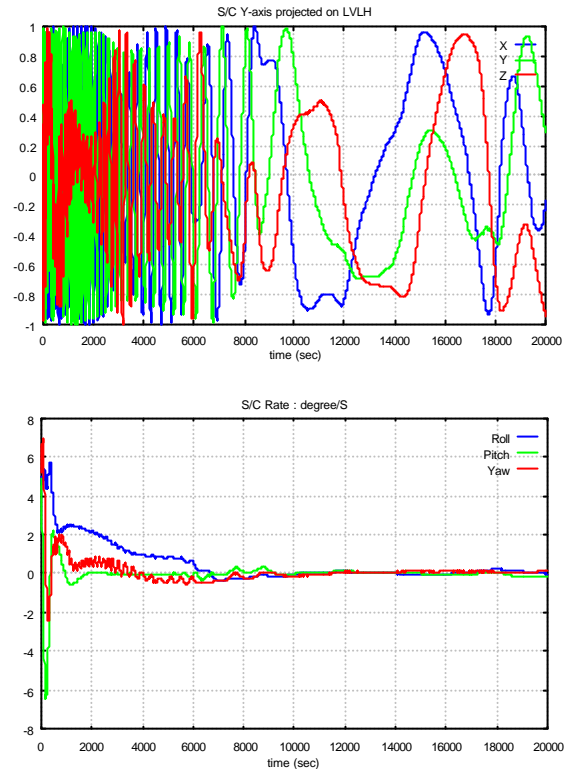


Figure 10 Simulation Result of the YamSat Rate.

for the key components are: (1) Battery: 0 to +45 °C for charge, -20 to +60 °C for discharge; (2) CPU: -40 to +85 °C; (3) Micro-Spectrometer: -20 to +40 °C; and (4) Magnetometer: -40 to +85 °C. A thermal isolator is introduced to connect the components to structure panels. ($k_{screw} = 16.2 \text{ W/m-C}$, $k_{isolator} = 0.384 \text{ W/m-C}$). The capton tape is used on all internal surfaces of side panels. There is significant conduction heat loss from components to structure panels, and it may cause some unit temperatures, especially the battery, to become lower than their allowable temperature limits. The thermal isolators are designed for screws components to structure panels in order to avoid substantial conduction heat leak. The size of thermal isolator (including thickness t , and outer diameter $D1$) is studied in order to make battery worst cold case temperatures (Beta angle = 0 deg) higher than its lower limit, i.e., 5 °C. More detailed design and analysis simulation result can be found in reference 3.

INTEGRATION AND TEST

The YamSat Test Readiness Review (TRR) meeting was held on 15 January 2002. The primary objectives of this review is to update the satellite design result

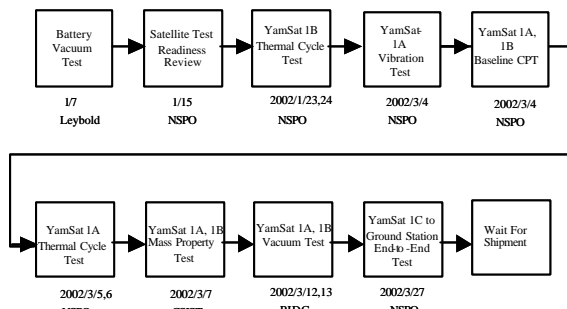


Figure 11 As-Run YamSat I&T Schedule

since CDR; review the satellite flight units status; review the performance test result; review the environmental test plan and integration & test facility status; discuss the flight operation plan; and the most important, future development.

Majority of YamSat integration and test activities are performed in NSPO’s I&T facility, e.g., comprehensive performance test (CPT), vibration test, thermal cycling, EMI/EMC test... etc. Due to the small size of the picosatellite, some test are performed by using other domestic test facilities, Table 4 shows the testing items and the testing facility provider information. Figure 11 shows the I&T schedule. Below we address some critical test activities.

YamSat Thermal Cycling / Vacuum Test

The thermal cycling and vacuum test are performed separately in order to simplify the rapid prototyping concept. The primary purpose of YamSat thermal cycling test is to provide a thermal environmental screening means to expose design, workmanship, material, and processing defects. In the test we have performed four hot and cold cycles for YamSat-1A satellite shown in Figure 12. The functional test is performed in the first and last cold and hot cycles to demonstrate all components are operation normally. The critical component for protoflight cold limit is

Table 4 Testing Item and Provider

Test Item	Test Facility	Location/Figure
Vibration Test	Small Shaker	NSPO
Mass Property	Mass Property Measurement System	CSIST
Radiation Test	Radiation Test Facility	NTHU
End-to-End Test	Amateur Ground Station	NSPO & other amateur site
Thermal Vacuum Test	Small Thermal Vacuum Chamber Thermal Cycling Chamber	PIDC NSPO
EMI/EMC	EMC Anechoic Chamber	NSPO
CPT	Clean Room	NSPO

battery, where its temperature is -5°C, while for protoflight hot limit is spectrometer, where its temperature is 45°C.

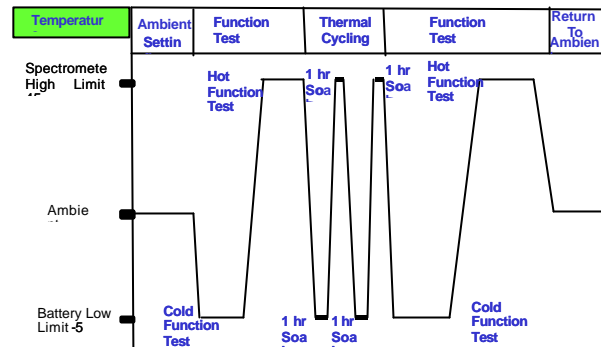


Figure 12 YamSat Thermal Cycling Test

In order to control the YamSat thermal cycle test between the lower and upper limit temperature of critical components, we performed a pretest to tune the thermal chamber setting temperature. From the pretest for YamSat-1B satellite test model, the tuning thermal chamber setting temperature is 40°C to let the critical component spectrometer reach its hot limit of 45°C while the cold end is -10°C to let the critical component battery to reach its cold limit of -5°C. The functional test was performed about 1.5 hours until the critical component reached its hot and cold limits for the first and last hot and cold cycles. From the four thermal cycles test for YamSat-1A satellite flight model as illustrated in Figure 12, the hot limit for thermal chamber setting temperature is 40°C while the measured critical component, spectrometer, reaches 44.8°C (within 2°C of spectrometer protoflight hot limit, 45°C). The cold limit for thermal chamber setting temperature is -10°C while the measured critical component, battery, reaches -6.2°C (within 2°C of battery protoflight cold limit, -5°C). According to the thermal cycle test results (see Figure 13), the YamSat-1A flight model can survive in these thermal conditions.

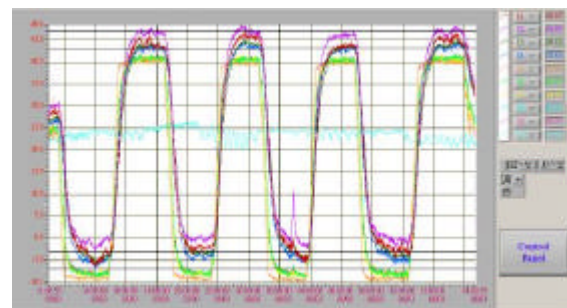


Figure 13 The YamSat Thermal Cycling Test Result

As to Thermal Vacuum Test, the YamSat satellite was put into a small vacuum chamber in PIDC and the vacuum is kept at 5×10^{-7} mbar vacuum level and the test lasted for four hours. After the test

comprehensive performance test is performed to verify the YamSat's function and performance. Figure 14 shows the thermal test picture.



Figure 14 YamSat Thermal Vacuum Test

Ground Systems to YamSat End-to-End Test

The NSPO amateur ground station as shown in Figure 15 uses two YAGI antennas for VHF communication with 12dBi-antenna gain and 100W-transmitter power. The continuous wave (CW) circuit generates tracking beacon and SOH data under the control of the on-board controller. The CW frequency is 29.5MHz and the power output is 0.1W. Thanks to the technology support from Taiwan Amateur Satellite Association, this station can receive not only the YamSat telemetry during the End-to-End test but also the morse code signal sent from the amateur communication payload. The Call sign of the ground station is "BN0SPO" and the call sign of the YamSat is "BN01A".



Figure 15 NSPO Amateur VHF & HF Ground Station

Antenna Pattern Test

Antenna pattern test was performed in NSPO I&T EMC chamber (see Figure 16) and the result is used to prove the pattern coverage and the link budget. As the EMI/EMC test is not a necessary requirement in YamSat program, the EMI/EMC test is not performed. Owing to the launch delay, this test is planned to be performed in middle of July, 2002.

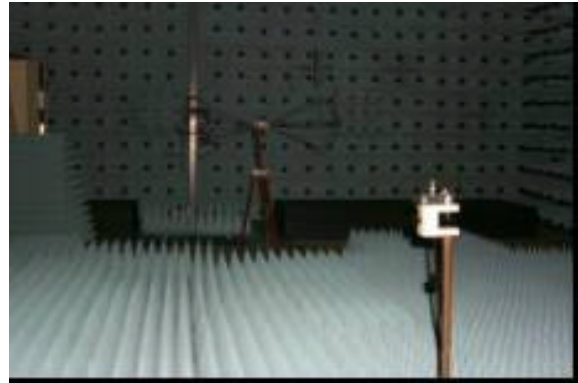


Figure 16 Antenna Pattern Test

Vibration Test

The YamSat satellite vibration test was performed using NSPO 150 kN big shaker (See Figure 17), the rough test result shows that YamSat can sustain the launch requirement.



Figure 17 YamSat Vibration Test

Mass Property Test

The YamSat satellite mass property test is performed using NSPO mass property measurement system (see Figure 18). The measured result shows the center of gravity is within the requirement and the weight is reduced during the manufacturing and is within 1 kg requirement.

ROC MADE COMPONENT

The YamSat project aims to obtain space qualified satellite components constructed in Taiwan. In order to encourage and promote domestic companies to involve the development of space qualified components. The YamSat satellite provides a rapid prototyping opportunity to the vendor for space verification. YamSat-1A has the most ambitious and novel R.O.C. made components in this program, and is addressed below:

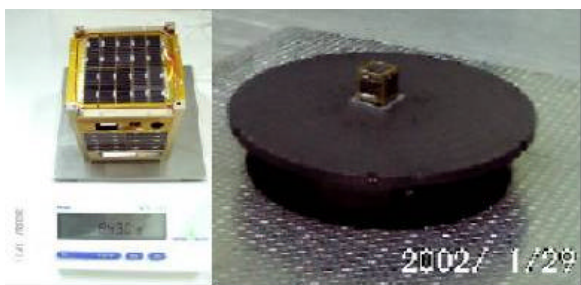


Figure 18 YamSat Mass Property Test

Solar Array Panel

Shih-Lin electric & engineering Corp., one of our ROCSAT-1 space qualified ROC component vendors, was chosen to manufacture Silicon solar cell and assemble the YamSat solar panels (see Figure 19). The Si cell efficiency is tested with a result of 13% efficiency and was put into YamSat-1A & 1B. The high efficiency GaAs solar cells, were purchased from abroad to meet the design requirements.



Figure 19 Si Solar Array Panel

Magnetic Coils

The ADCS group of NSPO made the needed two magnetic coils internally per the design requirement. From the test and calibration result shown, we have successfully built this components. (see Figure 20)

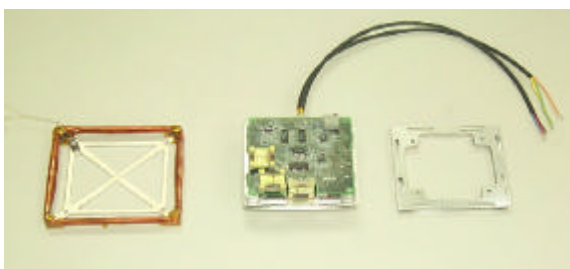


Figure 20 Magnetic Coils

Micro-Controller and Static Read-Only Memory (SRAM)

The required radiation total dose was analyzed and calculated using the SPENVIS software while the radiation test is performed using NTHU's facility. (See Figure 21). The radiation test result shows that for a mission of 1 month, these ICs will survive per our test requirements of Total Dose of 1K Rad (Si) radiation test. The result also shows that the electronic devices, i.e., Micro-Controller and Static Read-Only Memory

(SRAM) in YamSat will receive a total dose of 15 kRad(Si) for the case of one year mission. For the case of micro-controller, the operation current, idle current (with VDD=3.0V), and operating voltage are within the specification. The idle current (with VDD=5.5V) is out of the specification. The power down current is a severe problem after radiation. Figure 22 shows the Micro-controller Radiation Test Result. The idle current of a micro-controller with VDD= 5.5 V operated at frequency of 12 MHz after various radiation total doses.



Figure 21 Radiation Test

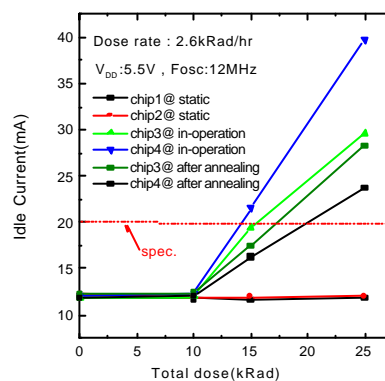


Figure 22 Micro-Controller Radiation Test Result

For the case of SRAM, the standby current is clearly immune to the space radiation. The operating power-supply current, loose function and access time are satisfactory after radiation at a low dose rate (See Figure 23). It seems too conservative to use the specification as criteria for radiation assurance; the circuit worst-case analysis to get a limit value of chip parameter for total dose assessment is more suitable.

Printed Circuit Board (PCB)

All the electronic PCBs were successfully layout, designed, manufactured & assembled in domestic company and the soldering technique was performed by the Acer Sertek Inc.

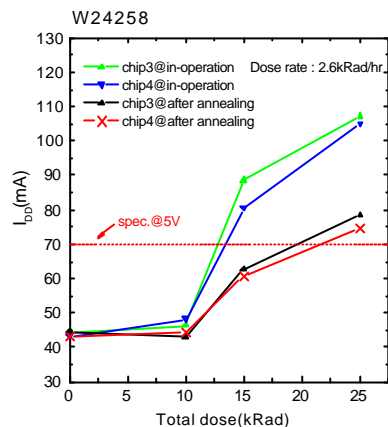


Figure 23 SRAM Radiation Test Result.

Flight Battery

After the domestic built Lithium battery successfully went through vacuum test with vacuum at 1×10^{-4} torr and test period lasting for seven hours in January 2002 (See Figure 24), the performance of this component meets YamSat environmental test requirements. YamSat program therefore decided to use this in our YamSat design, and we also purchased NiCd battery for backup purpose.



Figure 24 Flight Battery Vacuum Test

Flight Structure

Since the ROCSAT-2 flight structure was successfully designed, manufactured, and tested in Taiwan. All the YamSat flight structures of the SMS are also selected and tested in Taiwan. We had no problem to duplicate this task with younger engineers.

Antenna Deployment Mechanism

Base on the strict constraint of the space and weight budget, the YamSat's antenna deployments

mechanism must be designed as simple as possible. the YamSat's antennas are rigid short column in its geometric configuration, The hinge deployment concept was therefore selected and applied to the YamSat's rigid short antenna pole. Through computer simulation and analysis, the antenna can deploy from 0° to 90° as anticipated. The deployments main components are made of Aluminum Alloy 7075T6. Finite element analysis (FEA) shows that the material is sufficient to sustain 15g launching acceleration and 150Hz vibration.

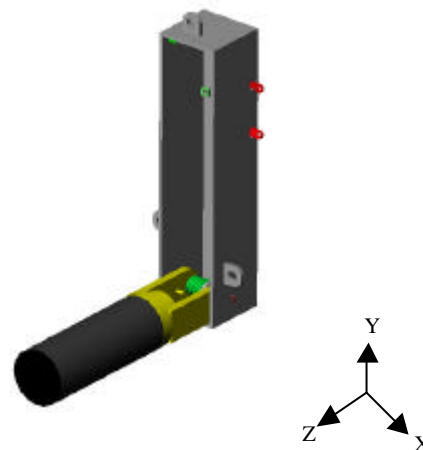


Figure 25 Antenna Deployment Mechanism

The lightweight 0.15 mm diameter nylon wire is selected to be YamSat antenna's fixture device to fix the antenna in stowed position. When YamSat is released from P-POD and inject into the orbit, the current flows through the fusing wire and melt the nylon wire, that makes the fixing device disentangled, then the antennas deployed (see Figure 25).

LESSONS LEARNED⁴

Lessons learned during each major review meeting (SRR, PDR, CDR, TRR) are provided below as a summary of the overall YamSat program.

Rapid-prototyping Models and Capabilities Build up

Through various YamSat development phase NSPO has developed a rapid-prototyping, low-cost, short scheduling, quick turn-around program capability, including conceptual feasibility study, program planning, program execution, components procurement, system design, manufacturing, assembly, integration & testing, and ground station build-up. The experience can be shown as a template to the university and domestic industry. Currently two universities, NCU and NCKU have expressed their great interest to have NSPO to provide the YamSat technology transfer to them.

Improvement of YamSat Satellite Bus in the Future

In order to become a standard bus for various payloads for remote sensing, communication, and science experiment... etc.. A modularized design for YamSat satellite bus is expected in the future. An upgrade of the current design to get more bus function and better bus performance is also foreseen. Owing to the specific limits for the picosatellite the thermal blanket and other active control method are not used in the current work; however, it is expectable that those approaches may manifest their potential in the near future due to the appearances of the MEMS technology. Also it is foreseen that through the MEMS technology application in the ADCS sensors and actuators, including micro-gyro, micro momentum wheel, micro-propulsion, micro sun sensor, micro earth sensor, micro star tracker, and micro GPS receiver, this picosatellite can achieve more 3axis attitude control capability. More solar panel deployed mechanism can be added in and the use of state-of-the-art high efficiency solar cells can provide more power to the satellite and hence provide more advanced functions in the design. It is expected to use more advanced CPU, high capacity solid state memory, and high input/output channel number; and provide more complicated flight software in order to support more science data and versatile requirements from the payload. More communication subsystem capability is also expected to be improved in the future in order to provide more antenna gain, larger transmitting power, high performance RF transponder, high data downlink/uplink data rate, and more broadband communication channel.

Technology Transfer to the academic to build different types of Picosatellite

As a goal to disseminate the picosatellite technology to the university, NSPO is now cooperating with two national universities teams, i.e., NCKU and NCU, to build different types of picosatellites and nanosatellite bus for different mission. NSPO is also supporting the universities to open series of spacecraft design classes and teach the university students how to design a satellite from the beginning. Under the current cooperation plan, the university will lead the project and NSPO will provide the necessary technology learned from ROCSAT & YamSat programs

Research and Development of Space MEMS / MNT Technology⁵

YamSat not only provides a space qualification test bed for local commercial components but also provides a new generation of MEMS space test bed. Due to the advent of MEMS space application in

Chen-Joe Fong

recent years, the roadmap has been elaborated and studied in various space agencies. The short-term goal in NSPO is to follow the developed trending and roadmaps and to focus in the substitution of sensors and actuators. Micro- and Nano- technology development become nation's initiative program, NSPO is the leader in the field of space application in Taiwan. Currently NSPO had contracted out 2 MEMS space application relevant project to the university, one is the development of micro-gyro and the other is the development of micro-GPS receiver. It is foreseen that more research projects on MEMS for space application will be contracted to the universities in the future. It is for sure some is expected to put on NSPO built or funded pico or nano-satellite for rapid prototyping and early in-orbit demonstrations.

Long-Term Program

NSPO's goal to academia is to encourage the universities to engage in the more space science research and to participate in the satellite engineering design and development of pico / nano- satellite, high precision electro-optic sensors and other payloads. Through the success development of YamSat program, YamSat is widely exposed to the publicity and academia in Taiwan. YamSat has motivated many high school and university students to pursue their dream in the space science and engineering research and development. In the second phase 15 year long-term space program plan, NSPO emphasized the importance of development of pico / nano- satellite in the plan due to the successful experience in YamSat development. NSPO will provide funding to the innovated payload and satellite design concept through universities student competitions program. NSPO will provide the funding to the winner team to design and manufacture Picosatellite. NSPO will provide the launch support service, technology, and integration and test service. NSPO is increasing its annual mission oriented research budget next year in order to support more micro / nano / pico-satellite related research and development.

A Path Finder toward Development of Nano-satellite

Since NSPO has completed the YamSat of picosatellite class, and NSPO has gain precious experiences of small satellite design experiences in ROCSAT-1 program which the satellite weight is around 400 kg and ROCSAT-2 for 800 kg class, also NSPO has started the ROCSAT-3 program which is belong to a constellation design of 6 micro satellites whose weight is around 60 to 70 kg, the development of nanosatellite is become a obvious matter. Nanosatellite, which defined as satellite with weight from 1 kg to 10 kg, is one of NSPO's next steps to develop this type of class satellite. NSPO will take YamSat program experience and technology transfer

model and apply to the development of nanosatellite. That is, NSPO and the domestic teams will build a nanosatellite by its own in the coming future. In NSPO's second phase of 15-year space program starting from 2004, NSPO will make commitment of developing at least 5 to 10 pico- and/or nano-satellites in the next 15 year plan. Nano-satellite constellation and/or mother-daughter design concept is also planned and welcomed for innovated ideas

CONCLUSIONS

YamSat has opened up an innovative avenue for conducting new academic, educational, and low-cost space research experimentation. Through the successful development of YamSat NSPO has made commitment of developing more than 5 to 10 pico- and/or nano-satellites in his second phase 15 year long-term space program plan. This YamSat experience gives us fruitful lessons the next picosatellite in Taiwan's universities. Currently two universities, NCU and NCKU have addressed their great interest to join with NSPO to upgrade the YamSat current design. More studies on MEMS technologies for space application project are funded to university and is foreseen to increase in the future. YamSat program has become another major milestone after ROCSAT-1 program in the Nation's space program.

Acknowledgments

The authors would like to thank NSC for its encouragement, with special thanks to NSC vice chairman, Dr. Ching-Jyh Shieh. The authors would also like to acknowledge NSPO upper management's support, Dr. Lou-Chuang Lee. Professor J. N. Juang in the National Center for High-Performance Computing is also thanked for his lectures in the "Spacecraft System Design" class between January 17 and May 4, 2001 and the constantly encouragements on the YamSat program development.

All the members of YamSat team on every aspect are acknowledged, to name only a few of the key members: SE: Y.-Y. Lee; SMS: C.-P. Chang; C&DH: Redman Lo, L.-K. Huang & J.-S. Wu; TT&C: T.-L. Ni & I-Y. Tarn; EPS: James Yeh; ADCS: Y.-W. Jan, C.-T. Lin; TCS: J.R. Tsai, L.-H. Hu & C.-S. Kang; and I&T: C.-C. Chin, Judan Chang, H.-M. Tseng, Sunny Lin, C.-F. Dai & Yow-Hua Chen. Many thanks to local industrial provider, especially Shihlin Electrical & Engineering Corp, E-One Moli Energy Co.; Taiwan Amateur Satellite Association (TAMSAT), especially BV2AC; Precision Instrument Development Center (PIDC); and Aerospace Science and Technology Research Center (ASTRC).

References

Chen-Joe Fong

1. Hank Heidt, Jordi Puig-Suari, Augustus S. Moore, Shinichi Nakasuka, Robert J. Twiggs, "CubeSat: A new Generation of Picosatellite for Education and Industry Low-Cost Space Experimentation", Proceedings of the 14th Annual AIAA/USU Conference on Small Satellites, Logan, Utah, USA, August 13-16, 2000.
2. Albert Lin, Chih-Li Chang, Steven Tsai, Chen-Joe Fong, Chan-Peng Chang, Robin Lin, Chin Wen Liu, Marco Yeh, Men-Hsuang Chung, Hsu-Pin. Pan, & Chi-Hung Hwang, Yamsat: the First Picosatellite being Developed in Taiwan, SSC01-VIIIb-8, Proceedings of the 15th Annual AIAA/USU Conference on Small Satellites, Logan, Utah, USA, August 13-16, 2001.
3. Lee-Her Hi, Ming-Shong Chang, Meng-Hsuan Chung, and Jih-Run Tsai, YamSat Thermal Control Design and Analysis, 2002 Annual CIROC/CSCA/AASRC Joint Conference, 23 March 2002.
4. NSPO Second Phase 15-year Long-Term Space Technology Development Plan (Draft), 20 May 2002, NSPO.
5. The Third Round Table on Micro/Nano-Technologies for Space, ESTEC, WPP_174, 15-17 May 2000.