

Dose-Response: An International Journal

Volume 4 | Issue 4

Article 8

12-2006

IN VIVO MUTAGENIC EFFECT OF VERY LOW DOSE RADIATION

Pamela J Sykes

Flinders University and Medical Centre, Bedford Park, South Australia

Tanya K Day

Flinders University and Medical Centre, Bedford Park, South Australia

Sarah J Swinburne

Flinders University and Medical Centre, Bedford Park, South Australia

Joanne M Lane

Flinders University and Medical Centre, Bedford Park, South Australia

Alexander A Morley

Flinders University and Medical Centre, Bedford Park, South Australia

See next page for additional authors

Follow this and additional works at: https://scholarworks.umass.edu/dose_response

Recommended Citation

Sykes, Pamela J; Day, Tanya K; Swinburne, Sarah J; Lane, Joanne M; Morley, Alexander A; Hooker, Anthony M; and Bhat, Madhava (2006) "IN VIVO MUTAGENIC EFFECT OF VERY LOW DOSE RADIATION," *Dose-Response: An International Journal*: Vol. 4 : Iss. 4 , Article 8.

Available at: https://scholarworks.umass.edu/dose_response/vol4/iss4/8

This Article is brought to you for free and open access by ScholarWorks@UMass Amherst. It has been accepted for inclusion in Dose-Response: An International Journal by an authorized editor of ScholarWorks@UMass Amherst. For more information, please contact scholarworks@library.umass.edu.

IN VIVO MUTAGENIC EFFECT OF VERY LOW DOSE RADIATION

Authors

Pamela J Sykes, Tanya K Day, Sarah J Swinburne, Joanne M Lane, Alexander A Morley, Anthony M Hooker,
and Madhava Bhat

IN VIVO MUTAGENIC EFFECT OF VERY LOW DOSE RADIATION

Pamela J. Sykes, Tanya K. Day, Sarah J. Swinburne, Joanne M. Lane, Alexander A. Morley, Antony M. Hooker □ Department of Haematology and Genetic Pathology, Flinders University and Medical Centre, Bedford Park, South Australia

Madhava Bhat □ Department of Medical Physics, Royal Adelaide Hospital, Adelaide, South Australia

□ Almost all of our knowledge about the mutational effect of radiation has come from high dose studies which are generally not relevant to public exposure. The pKZ1 mouse recombination mutagenesis assay enables study of the mutational effect of very low doses of low LET radiation (μGy to cGy range) in a whole animal model. The mutational endpoint studied is chromosomal inversion which is a common mutation in cancer. We have observed 1) a non-linear dose response of induced inversions in pKZ1 mice exposed to a wide dose range of low LET radiation, 2) the ability of low priming doses to cause an adaptive response to subsequent higher test doses and 3) the effect of genetic susceptibility where animals that are heterozygous for the Ataxia Telangiectasia gene (*Atm*) exhibit different responses to low dose radiation compared to their normal litter-mates.

Keywords: Chromosomal inversion, X-radiation, Transgenic mouse mutagenesis model, Adaptive response

INTRODUCTION

It is known that as the dose of ionising radiation increases then the number of mutations resulting from that exposure increases. The relationship between dose of ionising radiation and DNA damage appears to be linear at high doses. The linear no threshold (LNT) model predicts that this relationship is also linear at low doses and that any dose above zero will result in some DNA damage. Almost all of the data on mutation in response to ionising radiation comes from studies of high doses. However, the population is normally unlikely to be exposed to high doses of radiation. There is little evidence that low doses of radiation (less than 0.1 Gy) are mutagenic and there is some suggestion that low doses of radiation may even be beneficial (Pollycove and Feinendegen 2003). It is important to determine whether there is a threshold dose at which no DNA damage occurs. There is, however, a paucity of *in vivo* or *in vitro* assays with the sensitivity to detect mutagenic responses to low doses of radiation. The majority of *in vivo* mouse studies showing the mutagenic

Address correspondence to A/Professor Pamela J Sykes, Department of Haematology and Genetic Pathology, Flinders University and Medical Centre, Bedford Park, South Australia 5042 Australia. Phone: +61-8-82044379; fax: +61-8-82045450; e-mail: pam.sykes@flinders.edu.au

P. J. Sykes and others

effect of X-radiation have used doses > 1 Gy (Winegar *et al.* 1994; Gossen *et al.* 1995).

The pKZ1 transgenic recombination mutagenesis model has proven to be a sensitive model for detecting chromosomal inversions in spleen in response to very low doses of three known chemical carcinogens, cyclophosphamide (Sykes *et al.* 1998), etoposide (Hooker *et al.* 2002) and mitomycin C (unpublished results). In the case of cyclophosphamide the model has been shown to be 4 orders of magnitude more sensitive at detecting inversions than other mouse models are at detecting point mutations (Kohler *et al.* 1991; Sykes *et al.* 1998). The mice contain a transgene which has the *E. coli* β -galactosidase gene (*lacZ*) in reverse orientation to a chicken β -actin promoter complex. The *lacZ* gene is flanked by the mouse $V_{\kappa 21C}$ and $J_{\kappa 5}$ immunoglobulin recombination signal sequences (Matsuoka *et al.* 1991). When an inversion event occurs, facilitated by the mouse recombination signal sequences, the *lacZ* gene is brought into correct juxtaposition with respect to the promoter complex and expression of the *E. coli* β -galactosidase message can occur (Fig 1). The *E. coli* β -galactosidase protein can then be detected in tissues in the animals by staining with the chromogenic substrate X-gal. Cells that undergo inversion events exhibit blue staining. The number of inversion events is determined by the ratio of the number of blue staining cells to the total number of cells counted. Inversion events have been detected in a wide range of pKZ1 tissues, with most studies to date concentrating on spleen tissue.

We set out to determine if the pKZ1 recombination mutagenesis model would provide a sensitive mutation assay in response to single whole body doses of low dose, low LET radiation in order to determine if the LNT model applies at doses < 0.1 Gy. We also utilised the pKZ1 model to study adaptive response and genetic susceptibility in response to low dose radiation exposure.

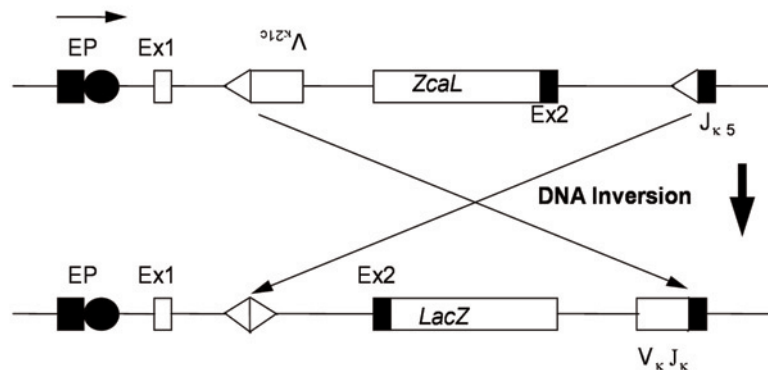


FIGURE 1: The pKZ1 transgenic mouse construct. *LacZ*, *E. coli*, β -galactosidase gene; EP, chicken β -actin enhancer/promoter complex; Ex1 and Ex2, chicken β -actin exons 1 and 2; $V_{\kappa 21C}$ and $J_{\kappa 5}$, mouse immunoglobulin recombination signal sequences.

*In vivo mutagenic effect of very low dose radiation***METHODS****Mice**

A colony of pKZ1 mice was maintained by breeding pKZ1 mice to C57/BL6J mice. Double transgenic mice were bred by crossing pKZ1 heterozygous mice with *Atm* heterozygous knock-out mice (Elson *et al.* 1994). Mice were screened for the presence of the *lacZ* transgene and the *Atm* knock-out construct in DNA from tail clippings using polymerase chain reactions specific for the *E. coli lacZ* gene and the *Atm* knock-out construct.

Irradiation of Mice

The mice were irradiated using a Philips deep X-ray unit. The machine was operated at 250 kV and 12 mA, HVL of 3 mm Cu, Source to Surface Distance (SSD) ranged from 80-291 cm and field size was 25 cm x 25 cm. The X-ray machine output was calibrated according to IPEMB protocol (Institution of Physics and Engineering in Medicine and Biology 1996). This dosimetry system has a calibration factor that is traceable to the Australian Radiation Protection and Nuclear Safety Agency.

Irradiation was carried out after placing mice in a perspex mouse holder. Radiation doses less than 0.01 Gy were delivered at a SSD of 291 cm and using additional lead filters to reduce the dose rate. The control mice were also placed in the perspex holder for the same period of time but without the irradiator turned on. After irradiation the mice were returned to their normal housing cages where they were housed for three days.

For adaptive response experiments, mice were exposed to a low priming dose of radiation and then a higher test dose 4 hours later. Control mice included sham-treated mice as well as priming dose only and test dose only.

Histochemical Detection of Inversion Events

The mice were euthanased by CO₂ asphyxiation and dissected. The spleen was snap frozen in OCT cryoprotectant embedding compound (Tissue-Tek) and stored at -20°C. Frozen tissue sections were cut on a cryostat and stained for β-galactosidase (β-gal) expression using the method described in Sykes *et al.* (1998). Briefly, 5 μm frozen spleen sections were fixed in glutaraldehyde, stained with X-gal and counter-stained with neutral red. *E. coli* β-galactosidase expressing cells (ie blue staining cells) were counted using light microscopy. Sixty random fields within each spleen were screened. The number of blue staining cells/total number of cells screened, were recorded. pKZ1 transgenic mouse brain sections, which exhibit strong *E. coli* β-gal staining (Matsuoka *et al.* 1991), were used as a positive staining control. Spleen sections from a non-trans-

P. J. Sykes and others

genic mouse were used as a negative control. All slides were coded by another individual in the laboratory and then the slides were scored blind. The data were analysed using a two-tailed Mann-Whitney U test.

RESULTS

Threshold

At high doses of radiation (> 0.1 Gy) an increase in chromosomal inversions was observed compared with the endogenous inversion frequency. Between 0.1 mGy and 100 mGy a decrease in inversions below endogenous frequency was observed, and at very low doses (< 0.01 mGy) an increase in inversions was again detected until the frequency returned to the endogenous frequency observed in the sham-treated animals.

Adaptive Response

Mice were treated with 0.01 Gy priming dose and then 1 Gy challenge dose 4 hours later. Control groups included sham-treated, priming alone and challenge alone. No difference was observed in mutation frequency between sham-treated animals and those receiving 0.01 Gy. There was a trend towards an increase in inversion frequency for the 1 Gy treatment groups. The groups that received a priming dose of 0.01 Gy followed by a challenge dose of 1 Gy 4 hours later showed a decrease in inversions to a level below endogenous frequency.

Genetic Susceptibility

pKZ1 mice which have two normal copies of the *Atm* gene and pKZ1 mice that were heterozygous knock-out for the *Atm* gene were exposed to 15 mGy of X-radiation. The sham-treated *Atm* heterozygous knock-out mice had an endogenous inversion frequency similar to the *Atm* normal pKZ1 mice. Irradiated *Atm* heterozygous knock-out mice did however demonstrate fewer inversions after exposure to 15 mGy X-radiation than the *Atm* normal pKZ1 mice.

DISCUSSION

The results presented here indicate that the pKZ1 model will be a useful whole animal model for studying the mutagenic effect of low dose radiation. We observed an inversion response after exposure to doses of radiation that are orders of magnitude lower than have previously been reported. The dose-response observed was non-linear at doses less than 0.1 Gy. At very low doses and at high doses an increase in inversions was observed, and at intermediate doses a decrease below endogenous inversion frequency was observed. The shape of the dose-response observed is shown in Figure 2. The only report of a whole animal model exhibiting an induc-

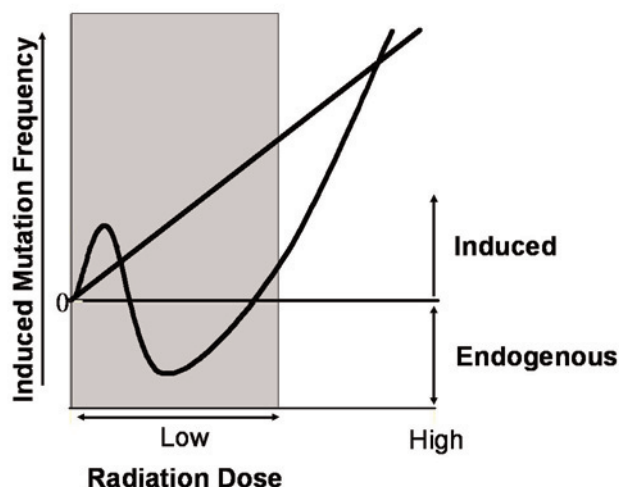
In vivo mutagenic effect of very low dose radiation

FIGURE 2: Low dose radiation dose-response curve. Inversions were induced in pKZ1 spleen at very low and at high doses of radiation exposure. Intermediate doses of radiation caused a decrease below endogenous inversion frequency. The straight line represents the LNT theory.

tion of mutations at X-radiation doses of < 0.1 Gy was by Scheistl *et al.* (1994) where they found a linear dose-response relationship between 1 cGy and 1 Gy. The mechanism behind the non-linear response observed here is not known. The responses seen at the lowest doses must involve the bystander effect as not all cells will sustain direct DNA damage from the low dose radiation. Inversions will result when stem and loop structures are resolved by non-homologous end-joining (NHEJ) repair. NHEJ will almost always result in a change to the DNA sequence and is therefore potentially mutagenic. An increase in inversions suggests an increase in NHEJ repair, and a decrease in inversions suggests a decrease in NHEJ repair. If double-strand DNA breaks are not repaired in a cell as a result of down-regulated NHEJ then the cell may apoptose, and therefore any mutations that have occurred in that cell will not become fixed. It is possible that the amount of DNA damage sustained at very low doses may not be enough to elicit a down-regulation of NHEJ. At high doses the cells may respond by up-regulating NHEJ in order to repair the very large number of DNA double-strand breaks that are sustained. The relevance of these results to human health will hinge on elucidating the down-stream effects of reduction and induction of inversion events at such low doses.

The adaptive response can be defined as a change in sensitivity to radiation damage induced by a low dose, which is delivered prior to a larger challenge dose (Wolff 1998). This has the potential to affect the risk estimation of radiation exposure. The risk of damage from high dose radiation exposure may be decreased if there has been prior exposure to low dose radiation, affecting the validity of the risk predicted using the LNT theory. Our results strongly suggest that a low priming dose of 0.01

P. J. Sykes and others

Gy is capable of reducing the frequency of inversions caused by a subsequent challenge dose of 1 Gy. The aim here was to determine if inversions could be used as an end-point to study adaptive response at doses of radiation that are lower than have previously been reported. These experiments suggest that the pKZ1 mouse mutation model is an appropriate whole animal system for measurement of the adaptive radiation response. The priming dose (0.01 Gy) used in these experiments is amongst the lowest priming dose reported to be capable of inducing an adaptive response in either *in vivo* or *in vitro* studies (reviewed in Wolff 1998). The decrease in mutation frequency that we observed in the experiments performed here is also amongst the largest decrease in mutation frequency below that induced by the challenge dose to have been reported.

Different individuals in the population will have different genetic susceptibilities to DNA damaging agents such as ionising radiation based on their ability to repair damaged DNA. Individuals homozygous for *ATM* mutations are sensitive to ionizing radiation. There is some evidence that individuals in the population who are carriers for an *ATM* mutation (approximately 1% of the population) may be more sensitive to radiation than normal individuals. Mouse *Atm* heterozygotes have an increased rate of cataract development after 0.5 – 4 Gy radiation exposure (Worgul *et al.* 2002) and decreased life span after exposure to 4 Gy (Barlow *et al.* 1999) compared with normal mice. In addition, lymphocytes from human *ATM* heterozygotes exhibit greater cell death in response to low dose-rate radiation than normal individuals (West 1995). We utilised the pKZ1 mouse model to determine whether carrying one defective *Atm* gene resulted in increased susceptibility to low dose radiation damage. Animals that were heterozygous for loss of function of an *Atm* gene exhibited a reduction in inversions below that of endogenous inversion frequency after a low dose radiation exposure compared with sham-treated heterozygous animals and also their normal litter-mates. The ATM protein plays an important role in both homologous recombination and NHEJ (Valerie and Povkirk 2003). A reduction in ATM protein in heterozygous animals may therefore lead to a reduction in NHEJ. Further study is required to determine the relevance of the reduction in NHEJ in *ATM* heterozygotes to human health.

DNA double strand breaks are known to be the major lesion induced after X-irradiation. The pKZ1 mutagenesis model allows measurement of inversion events, which arise through the repair of DNA double strand breaks. In spleen tissue in the pKZ1 model, inversion events may be recognized and repaired using the RAG1/RAG2 mediated NHEJ machinery which is important in both repair of DNA double strand breaks and in the normal development of B- and T-cell receptors (reviewed in Lieber 1998). Investigation of the important enzymes in the NHEJ pathway (for example RAG-1, RAG-2, DNA-PK, Ku 70, Ku 86), will hopefully lead to further

In vivo mutagenic effect of very low dose radiation

clues about the underlying mechanism of changes in inversions identified in the pKZ1 mouse spleen in response to low dose radiation.

The results presented here indicate that the pKZ1 mouse model has the sensitivity to enable study of low dose radiation exposure which is relevant to human population exposure. The model can also be used to study adaptive response and genetic susceptibility in response to low dose radiation exposure. Our data using DNA inversions as a mutagenic endpoint indicate that the dose response to X-radiation is not linear and that the validity of the LNT model needs to be revisited. This will have an important impact when setting exposure limits and conditions for safe occupational and medical radiation exposure.

ACKNOWLEDGMENTS

We wish to thank Professor Martin Lavin (Queensland Institute of Medical Research) for kindly providing heterozygous *Atm* mice to establish the pKZ1/*Atm* mouse colony. Research funded by the Low Dose Radiation Research Program, Biological and Environmental Research (BER), U.S. Department of Energy, grant # DE-FG02-01ER63227.

REFERENCES

- Barlow C, Eckhaus MA, Schaffer AA and Wynshaw-Boris A. 1999. *Atm* haploinsufficiency results in increased sensitivity to sublethal doses of ionizing radiation in mice. *Nature Genet* 21: 359-360.
- Elson A, Wang Y, Daugherty CJ, Morton CC, Zhou F, Campos-Torres J and Leder P. 1996. Pleiotropic defects in ataxia telangiectasia protein-deficient mice. *Proc Natl Acad Sci USA* 93: 13084-13089.
- Gossen JA, Martus HJ, Wei JY and Vijg J. 1995. Spontaneous and X-ray-induced deletion mutations in a *LacZ* plasmid-based transgenic mouse model. *Mutat Res* 331: 89-97.
- Hooker AM, Horne R, Morley AA and Sykes PJ. 2002. Dose-dependent increase or decrease of somatic intrachromosomal recombination produced by etoposide. *Mutat Res* 500: 117-124.
- Institution of Physics and Engineering in Medicine and Biology. 1996. The IPEMB code of practice for the determination of absorbed dose for X-rays below 300 kV generating potential (0.035 mm Al – 4 mm Cu HVL; 10-300 kV generating potential). *Phys Med Biol* 41: 2605-2625.
- Kohler SW, Provost GS, Fieck A, Kretz PL, Bullock WO, Putman DL, Sorge JA and Short JM. 1991. Analysis of spontaneous and induced mutations in transgenic mice using a lambda ZAP/*lacI* shuttle vector. *Environ Mol Mutagen* 18: 316-321.
- Lieber MR. Warner-Lambert/Parke-Davis Award Lecture. 1998. Pathological and physiological double-strand-breaks: roles in cancer, aging and the immune system. *Am J Path* 153: 1323-1332.
- Matsuoka M, Nagawa F, Okazaki K, Kingsbury L, Yoshida K, Muller U, Larue DT, Winer JA and Sakano H. 1991. Detection of somatic DNA recombination in the transgenic mouse brain. *Science* 254: 81-86.
- Pollycove M and Feinendegen LE. 2003. Radiation-induced versus endogenous DNA damage: possible effect of inducible protective responses in mitigating endogenous damage. *Hum Exp Toxicol* 22: 290-306.
- Schiestl RH, Khogali F and Carls N. 1994. Reversion of the mouse pink-eyed unstable mutation induced by low doses of X-rays. *Science* 266: 1573-1576.
- Sykes PJ, Hooker AM, Harrington CS, Jacobs AK, Kingsbury L and Morley AA. 1998. Induction of somatic intrachromosomal inversion events by cyclophosphamide in a transgenic mouse model. *Mutat Res* 397: 209-219.
- Valerie K and Povkirk LF. 2003. Regulation and mechanisms of mammalian double-strand break repair. *Oncogene* 22: 5792-5812.

P. J. Sykes and others

- West CM, Elyan SA, Berry P, Cowan R and Scott D. 1995. A comparison of the radiosensitivity of lymphocytes from normal donors, cancer patients and individuals with ataxia telangiectasia (A-T) and A-T heterozygotes. *Int J Radiat Biol* 68: 197-203.
- Winegar RA, Lutze LH, Hamer JD, O'Loughlin KG and Mirsalis JC. 1994. Radiation-induced point mutations, deletions and micronuclei in *lacI* transgenic mice. *Mutat Res* 307: 479-487.
- Wolff S. 1996. Aspects of the adaptive response to very low doses of radiation and other agents. *Mutat Res* 358:135-142.
- Wolff S. 1998. The adaptive response in radiobiology: evolving insights and implications. *Environ Health Perspect* 106: Suppl. 1: 277-283.
- Worgul BV, Smilenov L, Brenner DJ, Junk A, Zhou W and Hall EJ. 2002. *Atm* heterozygous mice are more sensitive to radiation-induced cataracts than are their wild-type counterparts. *Proc Natl Acad Sci USA* 99: 9836-9839.