

ACCEPTED MANUSCRIPT • OPEN ACCESS

Multiphysics simulation of added carbon particles within fluidized bed anode zinc-electrode

To cite this article before publication: Ibitoye Adebowale Adelusi *et al* 2020 *Eng. Res. Express* in press <https://doi.org/10.1088/2631-8695/ab8958>

Manuscript version: Accepted Manuscript

Accepted Manuscript is “the version of the article accepted for publication including all changes made as a result of the peer review process, and which may also include the addition to the article by IOP Publishing of a header, an article ID, a cover sheet and/or an ‘Accepted Manuscript’ watermark, but excluding any other editing, typesetting or other changes made by IOP Publishing and/or its licensors”

This Accepted Manuscript is © 2020 The Author(s). Published by IOP Publishing Ltd..

As the Version of Record of this article is going to be / has been published on a gold open access basis under a CC BY 3.0 licence, this Accepted Manuscript is available for reuse under a CC BY 3.0 licence immediately.

Everyone is permitted to use all or part of the original content in this article, provided that they adhere to all the terms of the licence <https://creativecommons.org/licenses/by/3.0>

Although reasonable endeavours have been taken to obtain all necessary permissions from third parties to include their copyrighted content within this article, their full citation and copyright line may not be present in this Accepted Manuscript version. Before using any content from this article, please refer to the Version of Record on IOPscience once published for full citation and copyright details, as permissions may be required. All third party content is fully copyright protected and is not published on a gold open access basis under a CC BY licence, unless that is specifically stated in the figure caption in the Version of Record.

View the [article online](#) for updates and enhancements.

Multiphysics Simulation of Added Carbon Particles Within Fluidized Bed Anode Zinc-Electrode

Ibitoye Adelusi^{1,*}, Chiemela Victor Amaechi^{1,2,3}, Fabrice Andrieux¹, Richard Dawson¹,

¹Lancaster University, Engineering Department, Gillow Avenue, Bailrigg, Lancaster, UK. LA1 4YW

²Blackpool & The Fylde College, Engineering Department, Bisham, Blackpool, UK. FY2 0HB

³Standards Organisation of Nigeria (SON), 52 Lome Crescent, Wuse Zone 7, Abuja, Nigeria.

*Corresponding Author Email: ibitoyea@hotmail.com, i.adelusi@lancaster.ac.uk

Submitted to: **Engineering Research Express ERX Journal**

Abstract – Batteries will continue to encounter the problem of dendrite formation until a suitable solution is identified to address the problem. Dendrite formation can short circuit batteries cells, reduce their life span, voltages and cause mechanical abrasion to the cells. Batteries electrodes are part of the approaches that can be used to address these problems but depending on the fabrication of these electrodes and dimensions. Before fabricating and incorporating a real anode reactor to a fabricated ZnBr₂ cell system, it was necessary to model the behaviour with injected carbon particles in between 254 microns to 354 microns and simulate the geometry in COMSOL to observe their interaction with the electrolyte. This study investigates the performances of a designed anode reactor and to observe within the reactor the effect of having a uniform and non-uniform current density distribution before the fabrication, physically charge and incorporating it to the anode-side of ZnBr₂ cell system.

Keywords: Computational Fluid Mechanics, Flow Rate, Particle Trajectories and Behaviour.

1. Introduction

Currently, numerical modelling in any research is now important. It is used to assess the technical solution of a design at any choice and at a design stage. Furthermore, through numerical modelling, the final results can be approached using mathematical modelling without presenting the prototypes of the fabricated physical models [1, 2]. Charged particles within zinc bromine batteries cells systems anode reactors determine the reduction and the re-oxidizing of these charged metallic zinc on the anode feeder electrode. Current density distribution is a major concern in the design of electrochemical cells in relation to the incorporated anode and cathode electrodes and circulating electrolytes [3]. Choosing a suitable flow rate also determines current density distributions within electrochemical reactors [4]. However, non-uniform current density distribution in electrochemical cells can be detrimental to the state of health of batteries cells because the electrode areas are usually subjected to high current density distribution [5, 6].

In many cases, electrodes degrade faster when part of them are exposed to high current density [7, 8]. Additionally, having a uniform current density distribution begins in the electrolyte before progressing to solid electrodes surfaces and within reactors (electrodes) having either high or low surface area [9]. So many issues required addressing, such as the optimization and utilization of electrocatalysts and

1
2
3 having the knowledge regarding current density distribution. Most electrocatalysts are fabricated with
4 expensive noble metals [10-12].
5

6 Non-uniform consumption and deposition, and unreasonably high overvoltage, can result to energy loss
7 and possibly a detrimental side-reaction, which may be the other effects that one would like to minimize.
8 To achieve a laminar flow in fluidized bed reactors is also another issue that required addressing and
9 particularly the flow regime with the injected particles. However, to successfully address these
10 challenges required designing a promising anode reactor that can be used to tailor most of these
11 challenges [13-18].
12
13
14

15 16 **2. Numerical Model**

17 18 19 20 **2.1 Geometry and Boundary Conditions**

21
22
23 In Solidworks 2019 [41], the CAD model was designed with the consideration that the experimented
24 fluidized bed reactor had to be conductive. In addition, the designed specification in the model used
25 were the length of 100mm, breadth of 130mm and thickness of 12mm, respectively. The added flow
26 paths were made to be 7mm thick to prevent the reactor from encountering any uncontrolled turbulences
27 since laminar flow was expected within the reactor. The red arrow in Figure 1 has identified the created
28 flow paths. Details of the presented geometry is given in the ECS journal, on practical development of
29 a ZnBr₂ flow battery with a fluidized bed anode zinc-electrode [38]. The study has presented the result
30 from the investigated three feeder electrodes, namely ANSYS [43] simulation, COMSOL [42]
31 simulation and laboratory experiment [38] before selecting the most conductive feeder electrodes and
32 the hydrodynamic behaviour of the examined glass beads and carbon particles within the fabricated
33 anode-reactor. However, by further modelling the geometry in COMSOL was to observe the particle
34 trajectories. With the particle trajectories, it was possible to identify the escaping particles and particles
35 that were conductive during the lab experiment and those not properly conductive according to the
36 gradient. Furthermore, and to compare the presented ANSYS numerical results in the ECS journal [38].
37
38
39

40
41 The designed fluidized bed reactor geometric model in Figure 4 was selected because it has a great
42 influence on the established experimental results. In addition, the designed and modelled high surface
43 area of the fluidized bed anode reactor has demonstrated that it could prevent the issue of dendrites
44 formation during the charge and discharge process.
45

46
47 The anode fluidized bed reactor was capable for fast electron transfer and properly mixed the injected
48 carbon particles before the fabricating the anode reactor and incorporating it to the fabricated ZnBr₂
49 cell system for the laboratory experiment [22, 23, 38]. The fabrication and investigation of the anode
50 reactor has been presented in literature [38], with details the practical development of a ZnBr₂ flow
51 battery using a fluidized bed anode zinc-electrode.
52
53
54
55
56
57
58
59
60

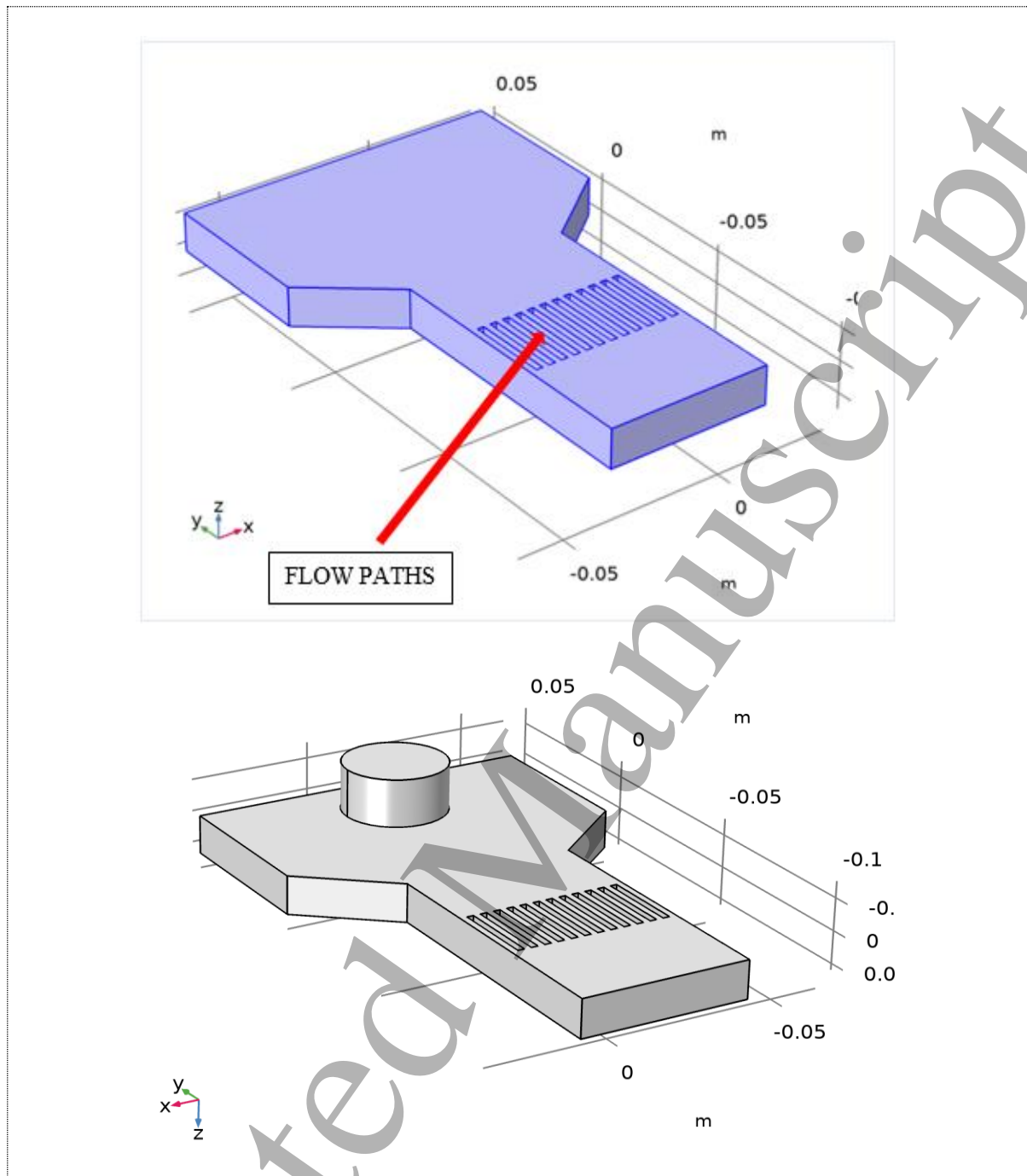


Figure 1 Geometry of the fluidized bed model, facing (a) up, and (b) down.

2.2 Global Definitions

In COMSOL Multiphysics, more detailed information regarding the geometry statistics has been provided for the first investigated parameters, as shown in Table 1 and Table 2. The CAD import module and particle tracing module were the products utilised in this model. The chosen parameters presented in the tables were chosen and modified to the fit the reactor's design. It was shaped to achieve a laminar

flow within the designed anode reactor. All units were specified in m (length unit) and in degree (angular unit). Based on the mesh statistics for the geometry, the observed number of boundaries within the reactor was 61, number of edges (174), number of vertices (116), and one as the number of domains.

Table 1 Parameters

Name	Expression	Value	Description
Ra	50 (mm)	0.05 m	Reactor radius
u_av	0.4 (cm/s)	0.004 m/s	Mean velocity
p_atm	101600 (atm)	1.0295E10 Pa	Pressure
T	296 (K)	296 K	Temperature

Table 2 Material Selection

Name	Value	Unit
Density	1000	kg/m ³
Dynamic viscosity	1e-3	Pa·s

2.3 Laminar Flow Within the Reactor

At the Inlet, a Poiseuille flow was specified with an average velocity of 0.4 cm/s. At the outlet, a uniform pressure of 101600 Pa (relative to atmosphere) was also specified. The Laminar Flow interface was used to solve for the fluid velocity and pressure, as shown in Equation (1):

$$\rho(\mathbf{u} \cdot \nabla)\mathbf{u} = \nabla \cdot [-p\mathbf{I} + \mathbf{K}] + \mathbf{F} \quad 1)$$

$$pV \cdot (\mathbf{u}) = 0 \quad 2)$$

$$\mathbf{k} = \mu(\nabla\mathbf{u} + (\nabla\mathbf{u})^T) \quad 3)$$

where μ is the dynamic viscosity (SI unit: kg/(m·s)), \mathbf{u} is the fluid velocity (SI unit: m/s), ρ is the fluid density (SI unit: kg/m³), and p is the pressure (SI unit: Pa). The particle positions are computed by solving second-order equations of motion for the particle position vector components, following Newton's second law,

$$\frac{d\mathbf{q}}{dt} = \mathbf{v} \quad 4)$$

$$\frac{d}{dt}(m_p\mathbf{v}) = \mathbf{F}_t \quad 5)$$

where \mathbf{q} is the particle position (SI unit: m), \mathbf{v} is the particle velocity (SI unit: m/s), m_p is the particle mass (SI unit: kg), and \mathbf{F}_t is the total force (SI unit: N). The only force is the drag force \mathbf{F}_t (SI

unit: N). Because the particles diameter was $3.54\text{E-}7$ (m) and the particle velocity relative to the fluid is not too large, the Stokes drag law is applicable,

$$F_D = 3\pi\mu d_p(u - v) \quad 6)$$

where \mathbf{u} is the fluid velocity (SI unit: m/s), μ is the fluid dynamic viscosity (SI unit: m/s), d_p is the particle diameter (SI unit: m). In addition to the drag force, the optional virtual mass force \mathbf{F}_{vm} and pressure gradient force \mathbf{F}_p on the particle was also be considered.

The virtual mass and pressure gradient forces were neglected since the density of the particle phase is much greater than the density of the fluid phase, as is true for solid particles in a liquid. However, these forces might approach the same order of magnitude as the drag force since the particles are in a liquid. There are 3000 particles released. The density of the particles released is normalized according to the magnitude of the fluid velocity at the inlet.

This means that there are more particles released where the inlet velocity magnitude is highest and fewer particles released where the velocity magnitude is low.

The model was solved using a stationary study step, because of these two stages; fluid velocity and pressure. Then the particle trajectories were computed using a time dependent study step. Exerting drag forces on the injected particles within the reactor required using solution from the stationary study and defining the fluid velocity for this purpose, not considering the presence of particles during modelling the fluid because the modelling was a one-way coupling. Such coupling is valid for sparse flows of particles with small volume fraction in the fluid.

Neglecting the impact of the momentum onto the fluid by the particles was essential during the modelling. Some assumptions regarding the implementation of the particle tracing were considered. Such as, considering that particles will not be displacing in the fluid based on their occupying volume, neglecting the interaction among the modelled particles to see that the particles distances and diameter were less. Furthermore, using the particle coordinates and center when solving for each of these particles equation of motion and making sure that these injected particles are not travelling more than the expected level within the reactor.

2.4 Physical Model

Regarding the reactors physical model, the inertial term (Stokes flow) was neglected. Concerning the discretization of the fluid (interface settings) and compressibility, incompressible flow was considered since electrolyte flowing from the reactor's inlet to the outlet was not expected to be stationary. Detail of the parameters for the physical model are presented in Table 3. The density and dynamic viscosity of the fluid were both selected prior to the modelling from the material.

Table 3 Settings

Description	Value
Neglect inertial term (stokes flow)	Off
Compressibility	Incompressible Flow
Enable Porous Media Domains	Off
Include Gravity	Off
Reference Temperature	T
Reference Pressure Level	p_atm
Reference Temperature	User Defined

2.5 Wall and Inlet and Outlet

To achieve a more accurate result, no slip was the selected condition for the wall due to its relation to the fluid viscosity effects during the interaction. On no slip wall, as presented in equation (7), $u, v = 0$ with the boundary layer. However, in slip wall, the normal velocity is zero ($v = 0, u$ is nonzero) and no boundary condition. Figure 2(a) has further provided the reactors wall and flow path with the full geometry in Figure 2(c).

From equation (7), the fluid velocity is u (SI unit: m/s). From Table 4, the average inflow velocity (u_{av}) was based on the shape and dimension of the reactor. The boundary condition was designed to be a bit complicated, but necessary for the flow profile to be fully developed. The computational fluid dynamics (CFD), has a special laminar inflow boundary condition to ensure a fully developed flow profile at the inlet. However, it is not necessary to enter a complicated expression for the velocity profile, but just for the average velocity or flowrate. Equation (7) represents the No Slip Wall.

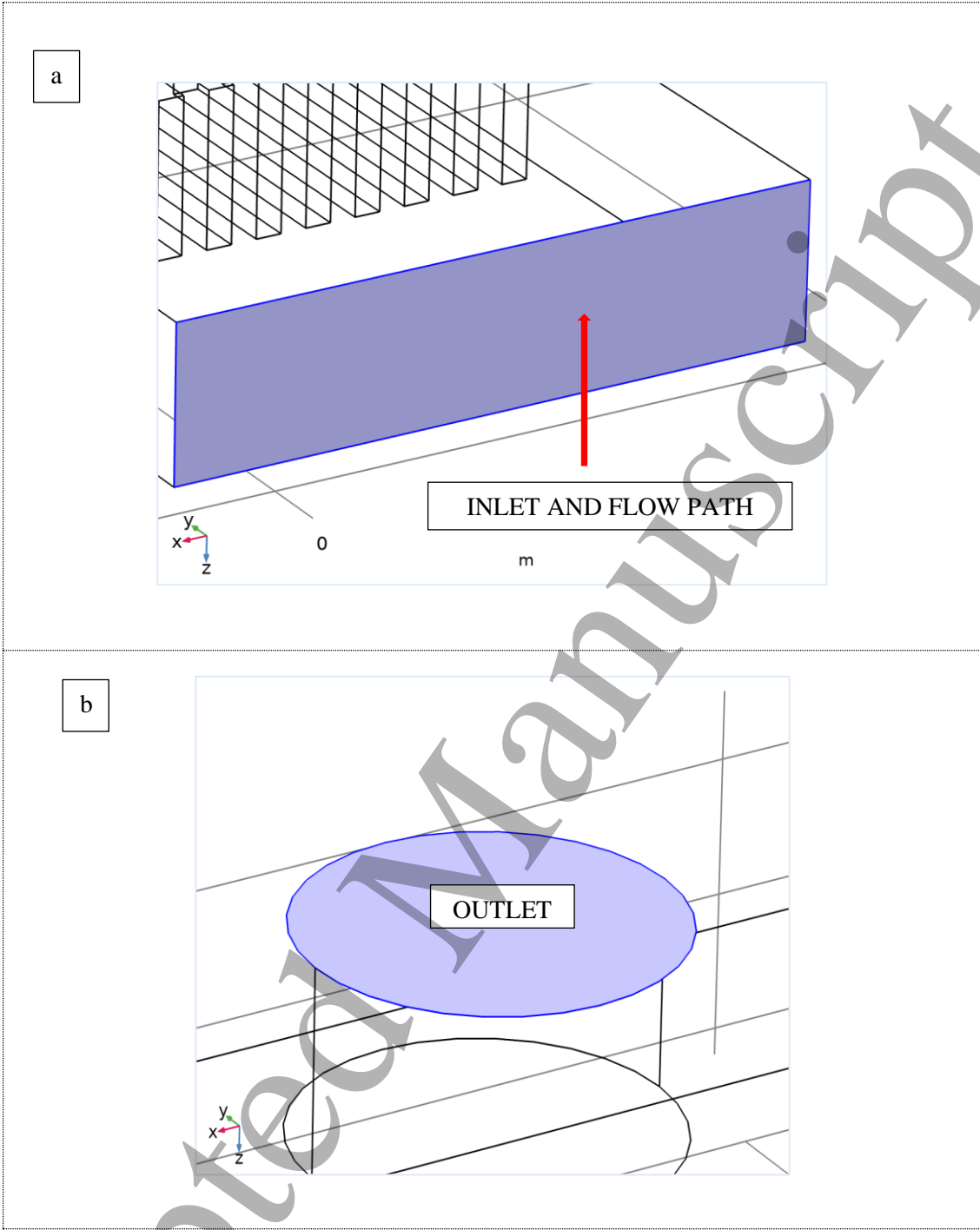
$$u = -U_0 n \quad (7)$$

Table 4 Velocity Settings

Description	Value
Velocity Field Component-wise	Normal Inflow Velocity
Normal Inflow Velocity	$2*(1 - (x^2 + z^2)/ra^2)*u_{av}$

The diameter of the outlet of the reactor was designed as 30mm to reduce any unwanted pressure condition during the modelling as shown in Figure 2(b). Both normal and suppressed back flow were considered to promote encountering laminar flow within the reactor. Regarding the condition of the wall, the freeze option was considered to prevent the injected particles from escaping from the outlet and going beyond the expected fluidization region, as shown in Table 5 for the particle properties.

1
2
3
4
5
6
7
8
9
10
11
12
13
14
15
16
17
18
19
20
21
22
23
24
25
26
27
28
29
30
31
32
33
34
35
36
37
38
39
40
41
42
43
44
45
46
47
48
49
50
51
52
53
54
55
56
57
58
59
60



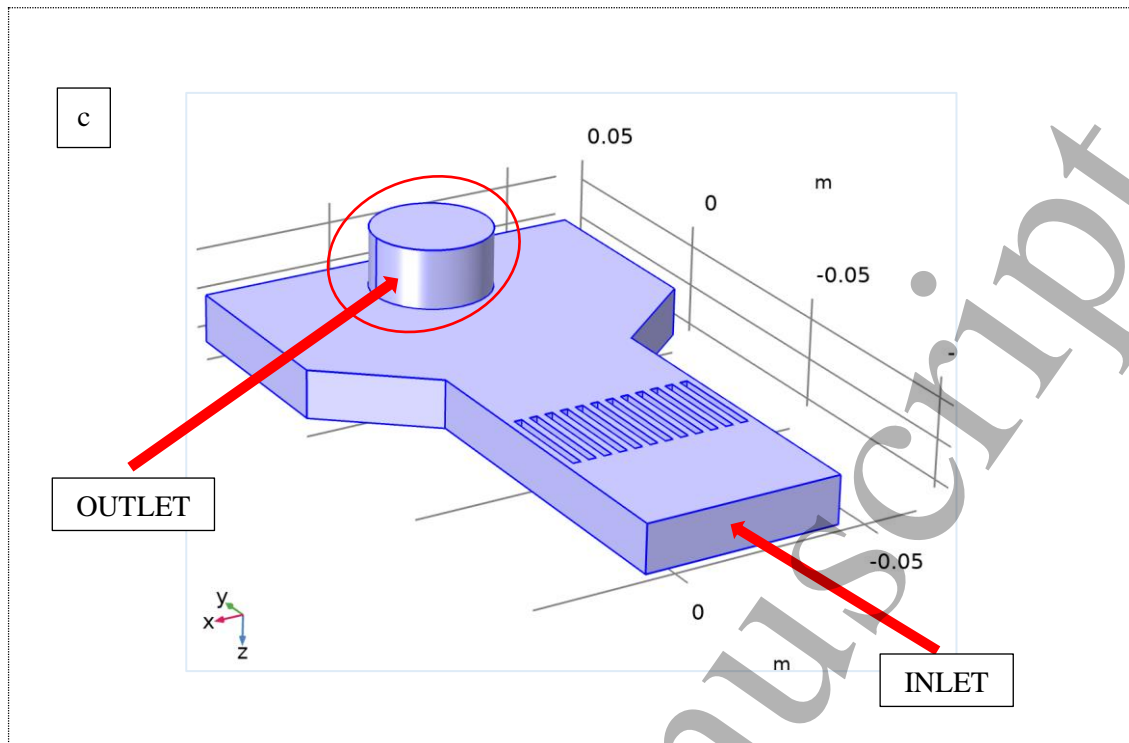


Figure 2 (a) Inlet with Flow Path (b) Outlet (c) Full Geometry

Table 5 Particle and their Properties

Description	Value
Particle property specification	Specify particle density and diameter
Particle density	7140 (kg/m ³)
Particle diameter	3.54e-7 (m)
Particle type	Solid particles

3. Model Validation

The design of the numerical model was validated with experimental model, as presented in literature [38]. As displayed in Figure 3, the details of the top mesh, middle left mesh, middle right mesh and bottom middle mesh is presented. Some mesh analysis was carried out to determine the best mesh type, size and method for the model. The tetrahedron mesh was the explored mesh method on the geometry, before progressing to the simulation. Regarding the mesh statistics, the reactor has a minimum element quality of 0.201, average element quality of 0.6786, mesh generated element of 86571, triangle mesh

of 14302, edge element of 1404 and has a vertex element of 116 and a predefined size extremely fine mesh. The first study computational time was a minute and twenty-seven seconds (1min and 27 secs) by using an initial damping factor of 0.01, a minimum damping factor of 1.0E-6 and 100 as the maximum number of iteration by making the modelling fully coupled and using a direct linear solver.

Four direct solvers were initially considered before choosing the PARDISO option since the PARDISO solver has the tendency to arrive more quickly to solve any finite element problems of well-conditioned and due to a PARDISO solver biggest advantage to address some extremely ill-conditioned difficulties. Apart from the PARDISO solver, all other solver such as SPOOLES, MUMPS also uses LU decomposition. PARDISO solver is the fastest solver compared to SPOOLES and MUMPS. The slowest solver is the SPOOLES. However, all direct solvers consume a lot of RAM to solver simulation problems. Storing a solution out of core can only be possible using a PARDISO and MUMPS solver and offloading onto the hard disk some of the problems. However, MUMPS solver can support computing cluster and allow using typically on a machine more memory [19-21].

The Study-2 used 2mins and 57 seconds with a solving time dependent in the range of (0,0.01,0.3) seconds and a time step of 3.0E-4 (s). The relative tolerance was 1.0E-6. During the study 2, to make the simulation to converge the non-linear method was changed to automatic newton from constant newton to support the Jacobian once per time step.

However, based on the fact that the number of injecting particles would influence on the experimental results, certain steps had to be taken. To determine the appropriate number in the model, as presented in Figures 7-9, as obtained from COMSOL, the first consideration is the geometric design of the bed. This was in consideration with what we obtained in the experimental model as depicted in Figures 10-12 and detailed in published literature [38].

Secondly, due to the shape of the anode fluidized bed geometry, the allowed maximum number of particles that was be released from the inlet were up 10000, and similar to that obtained in other literature [37].

Lastly, the viscosity of the liquid and the densities of the particles were also put into consideration because they contributed to the behaviour of the experimented injected particles within the anode reactor. As such we had an appropriate guide on the design used to validate the model. The fabrication of the fluidized bed, and its engineering design specification are in line with design practice [37-40].

4. Results and Discussion

According to Figure 4 at the top, no turbulence was detected at the bottom of the reactor during the numerical simulation, and all injected particles travelled exactly as expected and did not expected the fluidization region. Particles that failed in reaching a preferred level were due to the mass of these particles. None of the injected particles were expected to reach the outlet of the reactor during the numerical modelling and simulation.

The idea of using the particle trajectories approach in COMSOL Multiphysics as mentioned earlier was to observe the interaction of these particles with the. The also showed that some of the injected zinc particles were grounded (stacked) in the reactor. A transmission probability defines the ratio number of particles that have made it to the outlet divided by the released particles number. For instances, injecting

1
2
3 3000 particles and seeing 95% of these particles been grounded has shown that a good result was
4 achieved. From Figure 5, at the bottom is the slice velocity magnitude used as the cross-sectional surface
5 of the anode-reactor and sometimes on all the geometry to show changes in the specific area of the plot.
6 The radius of the reactor was measured to the 65mm, while the length of the reactor was 130mm.
7

8
9 The scalar quantity from the simulation results, as shown in the plot in Figure 6(a), were processed
10 using the pressure contour plot. The displayed results in coloured (series) and lines were the contour
11 plots presented in Figure 6(b). The contour plot has made it easy to know the encountered stress by the
12 reactor according to the gradient. The mixing of the particles was visualized through plotting a Poincare
13 by placing coloured dots. At where each particle has passed through a cut plane. This approach is used
14 for defining a single multiple or poincare section in parallel planes, as shown in the plot in Figure 6(b).
15 The particles final positions were represented by those colours. Particles in red colour are identified by
16 an initial position of $x < 0$ and with blue colour as $x > 0$. The mixing of all injected particles begins as
17 they migrate to the downstream towards the negative direction-y. Within the reactor, particles not
18 properly mixed and completely can also red or blue. Thus, this produces good particle mixing which
19 depends on the applied velocity. The pressure drop at the inlet and out against the velocity are presented
20 in Figure 7 (a & b) and 8 (a & b) with the fluidization region in Figure 9.
21
22
23

24 According to the particle trajectories, few identified escaping particles were properly conductive during
25 the laboratory experiment according to the following observations after the experiment. During the real
26 laboratory experiment, after the numerical modelling with COMSOL, the deposited charged zinc
27 particles on the added carbon particles were all conductive due to the prepared concentration for the
28 anode and cathode electrolyte solution apart from the charges and discharges rates (amp) [24-27].
29

30
31 Secondly, the two-electrolyte solution includes 3 moles of $ZnBr_2$, 1 mole of KCl and 1 mole of $ZnCl_2$
32 for the anode concentration and the cathode concentration includes 3 moles of KBr and 1 mole of KCl .
33 These chosen and prepared concentrations were considered to prevent having excess salt during charge
34 [28, 29].
35

36
37 Thirdly, due to the various masses of the modelled particles, we expected some of these particles to
38 escape during the numerical modelling because of the particle's densities. However, the different
39 masses did not prevent them to not properly charge [30-36].
40

41 Furthermore, during the laboratory experiment as illustrated in Figures 10-12, there were considerations
42 for the anodes and cathode locations. Also, during the laboratory experiment, a mesh was tailored to
43 the outlet of the fabricated reactor, which prevented these particles from escaping. Thus, the particles
44 had to fall back to the surface of the reactor to be further charged and fluidized. This method showed to
45 help to control the discharge of the particles in the fluidized bed.
46
47
48
49
50
51
52
53
54
55
56
57
58
59
60

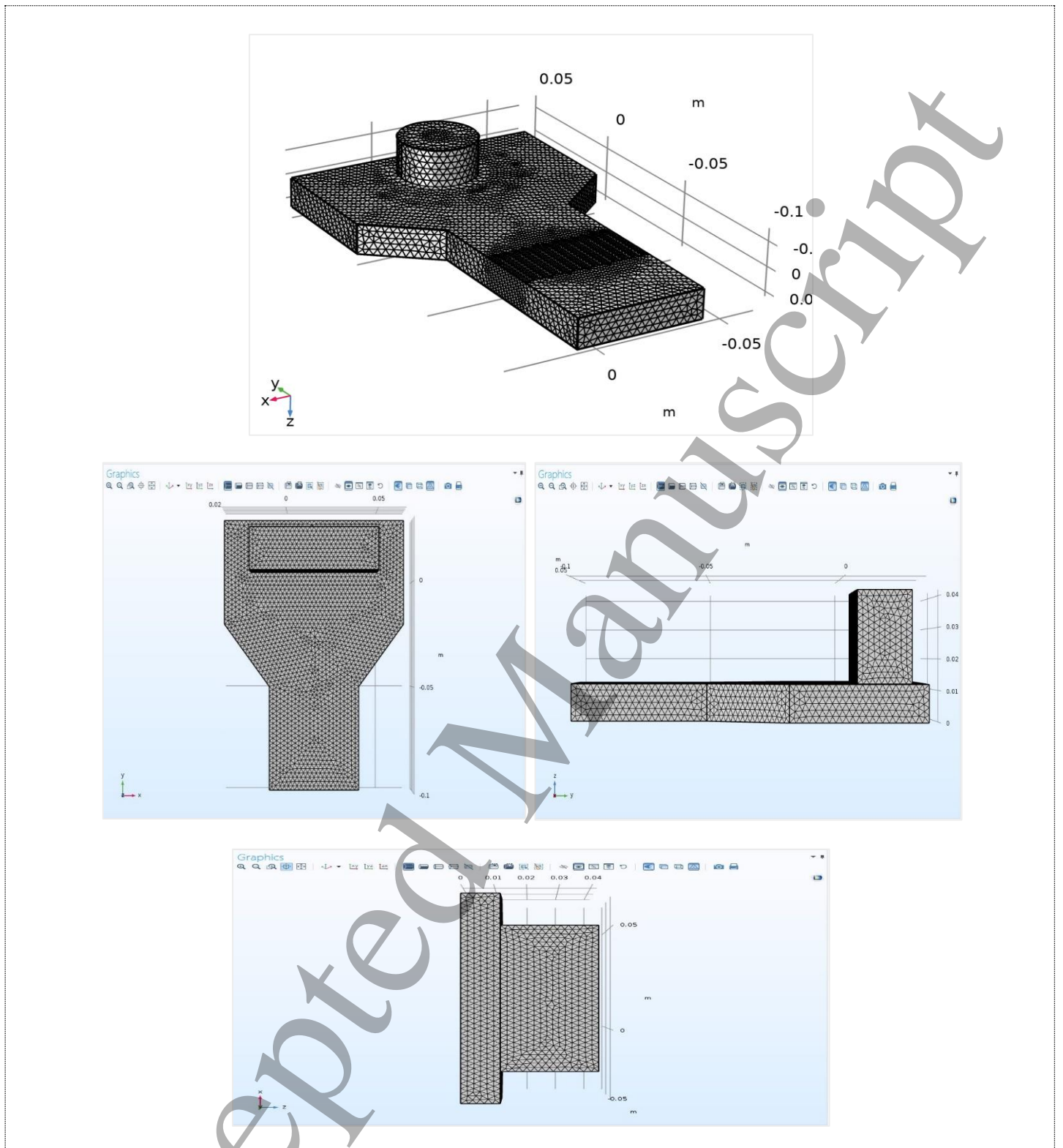


Figure 3 Mesh Top Middle, XY Direction of the Anode-Side Reactor's Mesh Middle Left, YZ Direction of the Anode-Side Reactor's Mesh Middle Right and ZX Direction of the Anode-Side Reactor's Mesh Bottom Middle

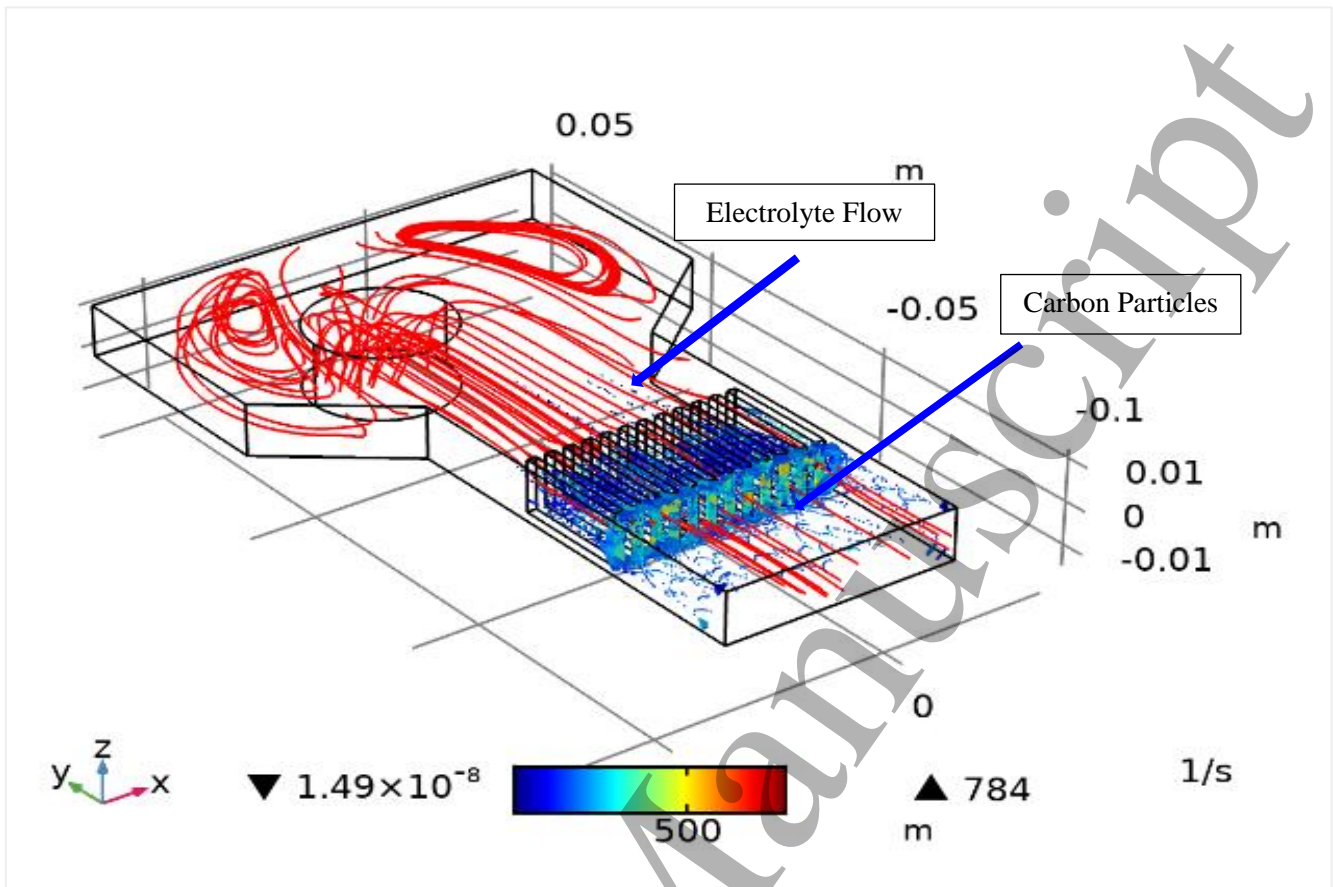


Figure 4 Streamline of Flows with Particle Trajectories

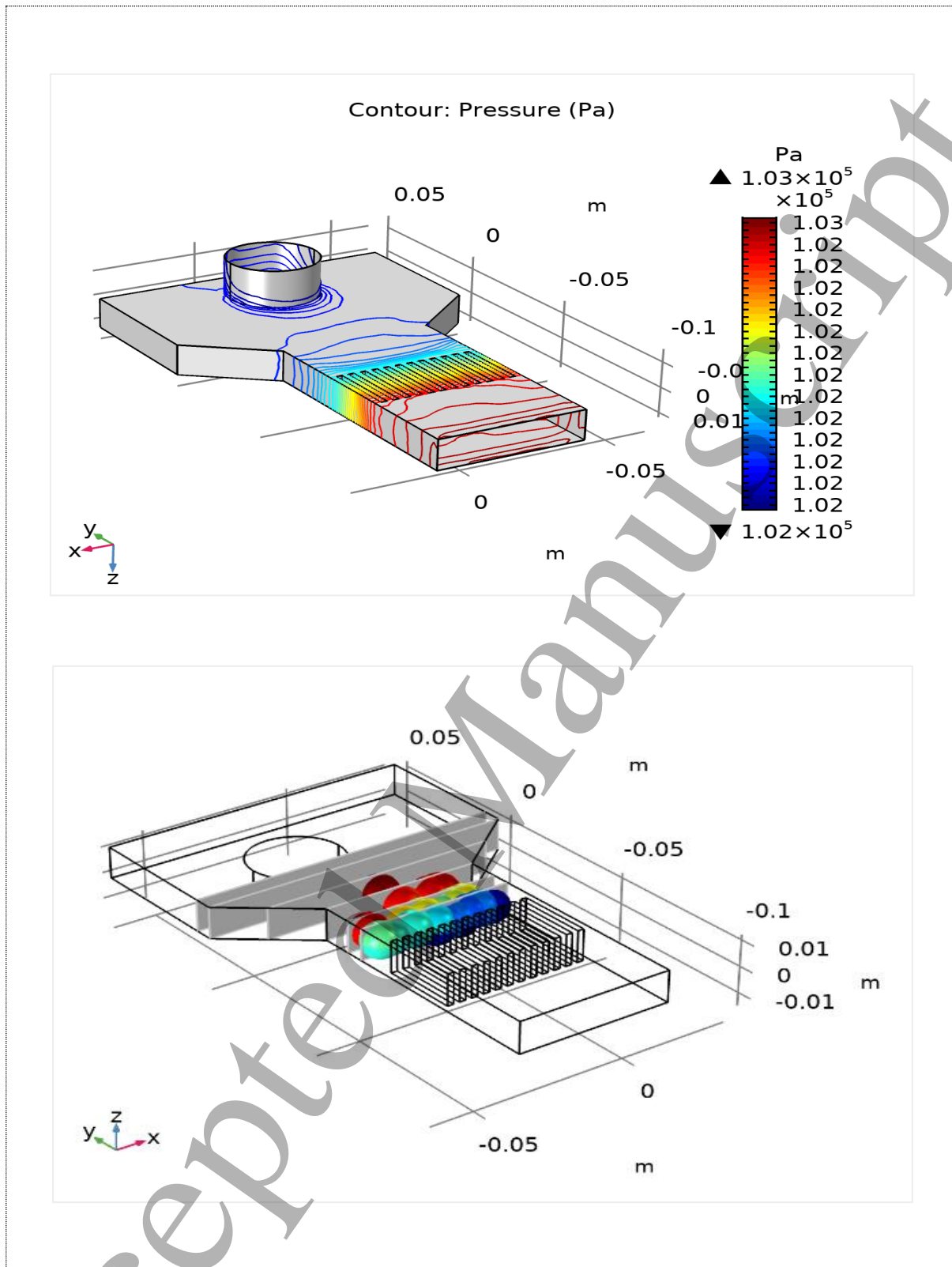


Figure 6(a) Contour of Pressure (Top) and (b) Cut Plane Size (Bottom).

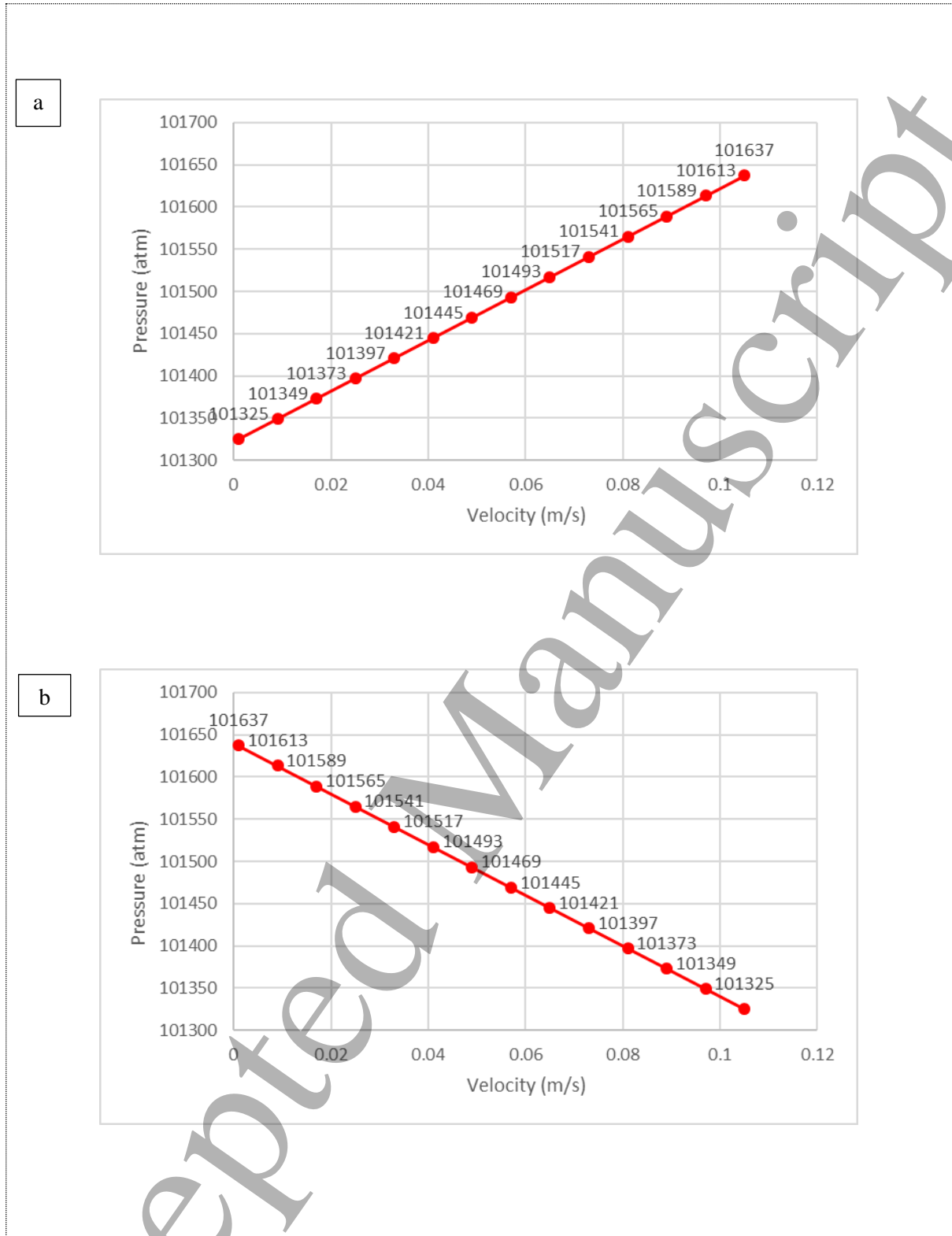


Figure 7 (a): Pressure dropped at the outlet (b) Pressured increased at the inlet

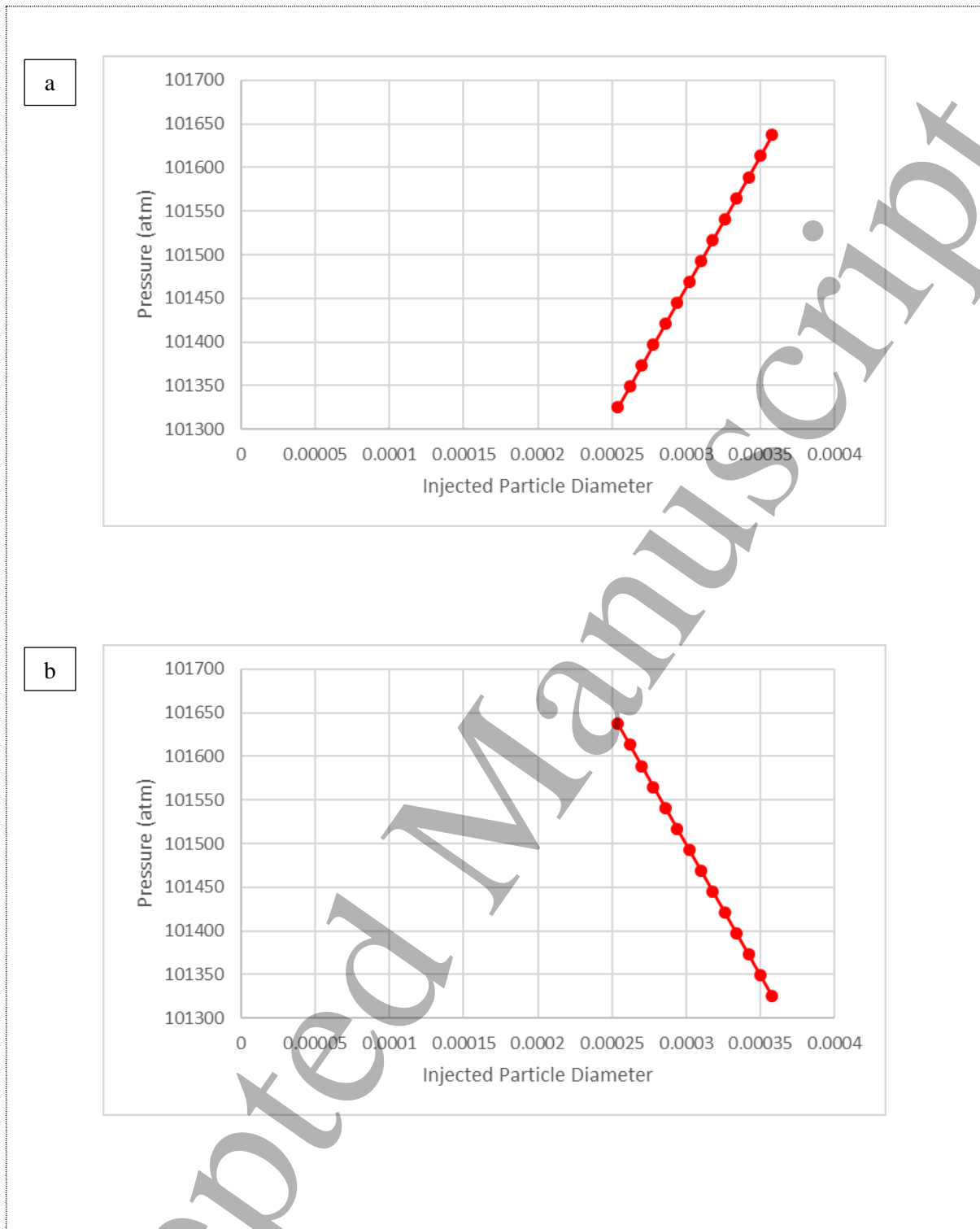


Figure 8 (a): Particle diameter at the Inlet against pressure (b) Particle diameter during fluidization against pressure

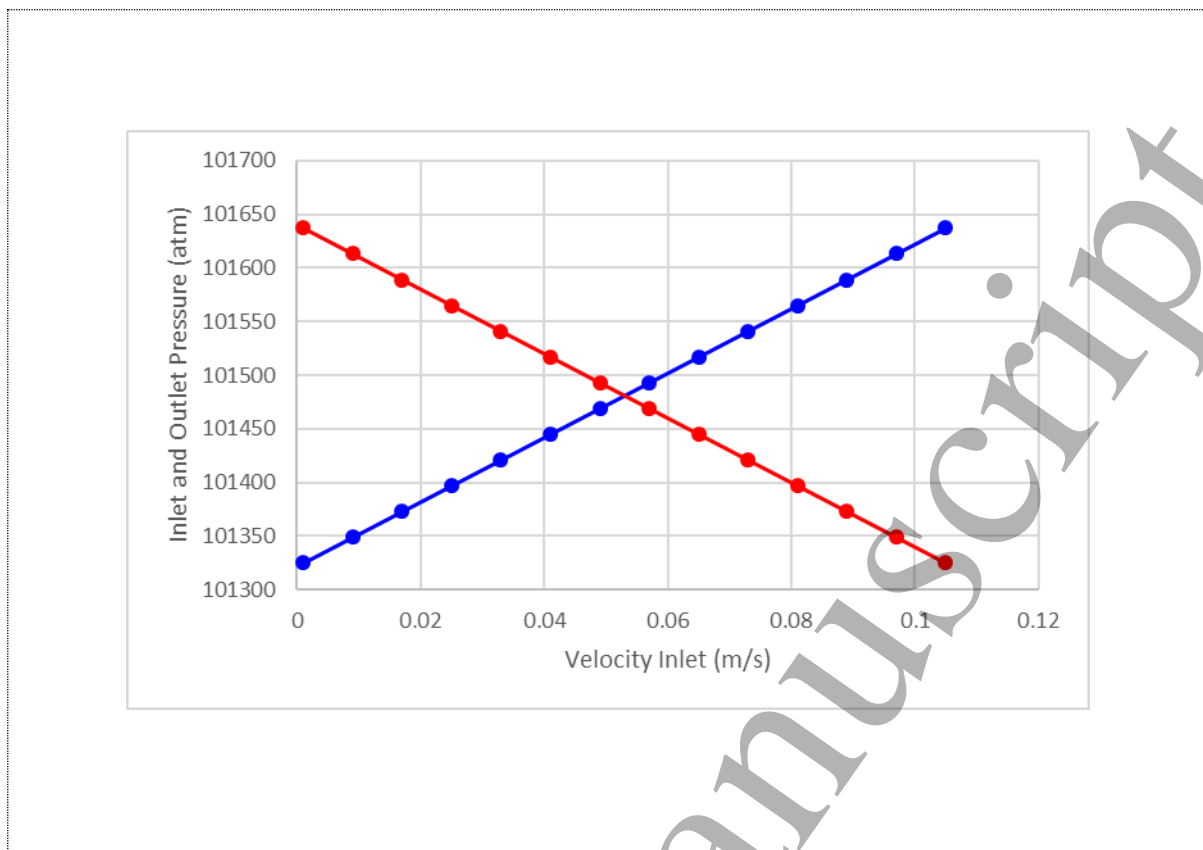


Figure 9: Measured pressure versus the fluidization region where the particles were expected to reach and not escaping. The pressure drops at the outlet in between 101500 to 101450

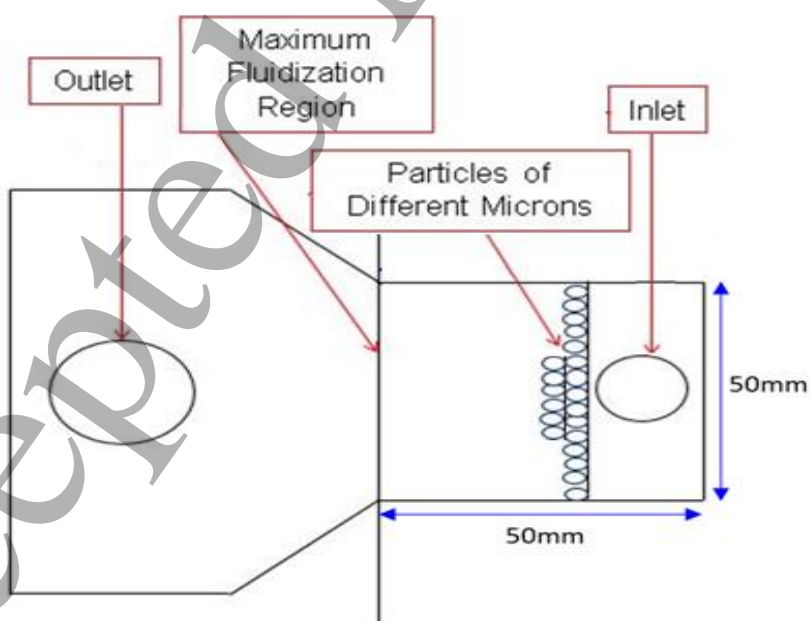


Figure 10: Schematic showing the Fluidized Bed Zinc Reactor

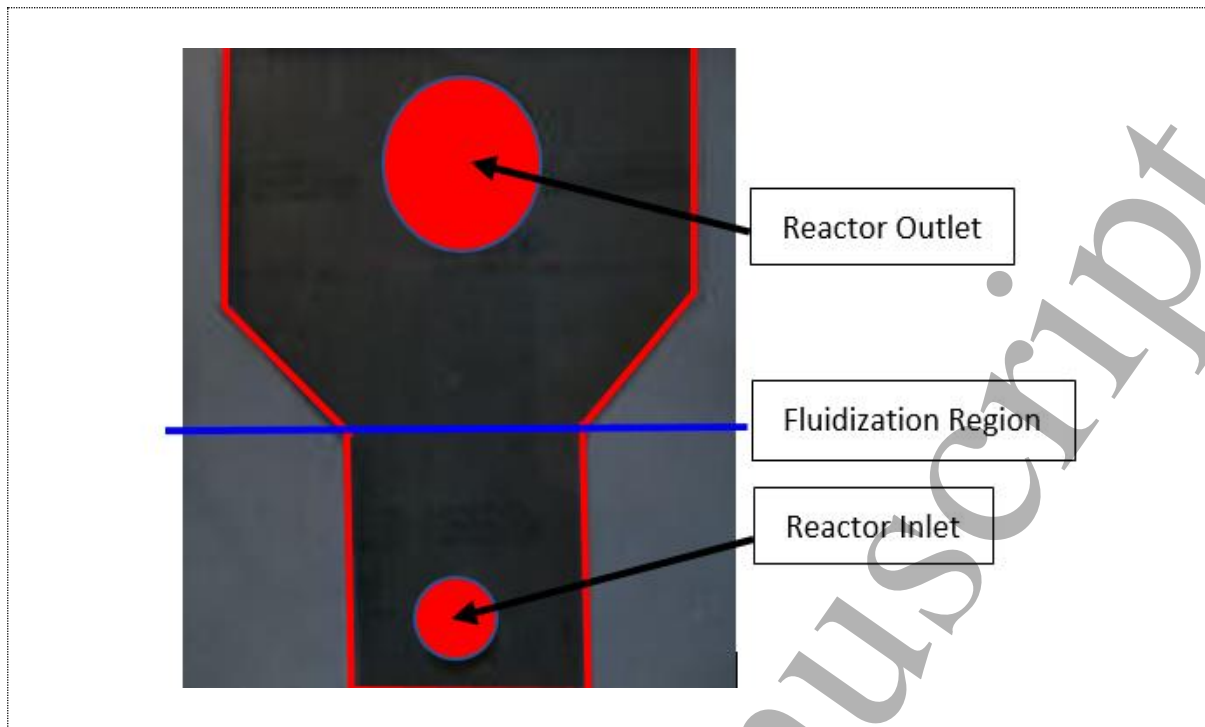


Figure 11: Experimental setup showing Anode Zinc-Electrode Anode

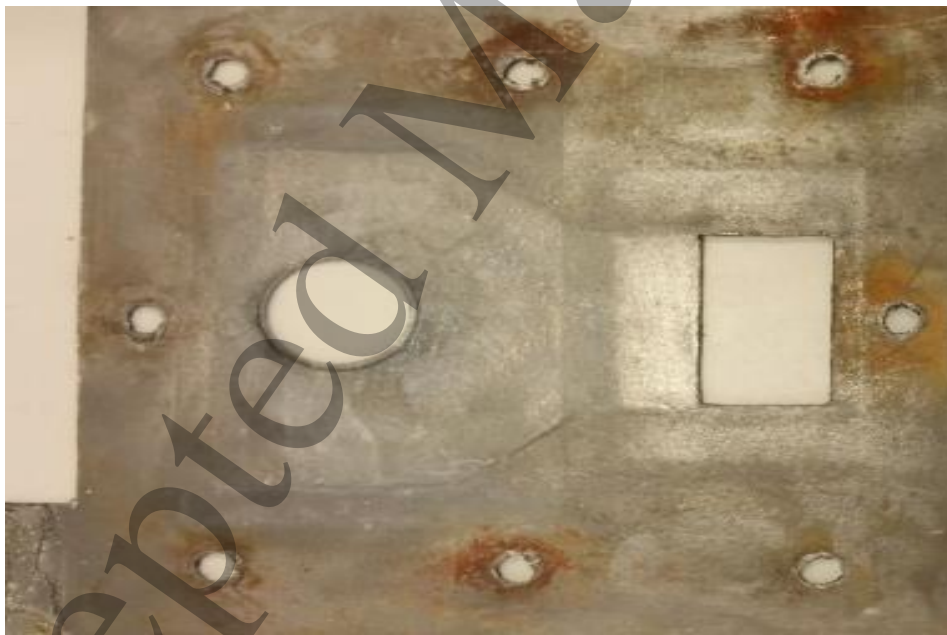


Figure 12: Experiment showing the Anode-Side of the ZnBr₂ Cell

5. Conclusions

The investigation on the performances of a designed anode reactor has been carried out. The effect of uniform and non-uniform current density distribution has been observed in this model numerically. It

1
2
3 was done before the fabrication, then physically charging and incorporating it to the anode-side of
4 ZnBr₂ cell system. Figures 10-12 represent the experimental model used in the study as this as used to
5 validate the numerical model in COMSOL Multiphysics 5.5.
6

7 Through the presented results, especially the particle trajectories plotted in Figure 4, the positions of all
8 injected particles and their total shear rate have been observed through the colour gradient since these
9 injected particles has mass and not reaching the outlet as expected. Particles crossing the fluid
10 streamline during the modelling were due to particles inertia and their contact with the reactor wall
11 during mixing when they stopped moving because of the applied freeze boundary condition. Particles
12 agglomerates has also made the velocity of the fluid to be extremely slow towards the final time study.
13 The ratio of the injected particles was known through the transmission probability and the released
14 particle total number.
15
16

17
18 The presented particle trajectories result in this journal has demonstrated the interaction particles within
19 the reactor before it was incorporated to the anode reactor, on the practical development of a ZnBr₂
20 flow battery with a fluidized bed anode zinc-electrode [38]. Most of the particles were successfully
21 trapped within the reactor by not exceeding the applied minimum fluidization velocity. However,
22 altering the applied velocity could have supported these injected particles to escape and exceed the
23 expected fluidization region. Part of the recommended future work should include modelling and
24 simulating different particles diameter apart from the investigated sizes in this journal and increasing
25 the shape and dimensions of the reactor for result comparison.
26
27
28
29
30
31
32

33 **Conflict of Interest**

34
35
36 The authors declare no conflict of interest.
37
38
39
40
41
42
43

44 **Acknowledgement**

45
46
47 The authors wish to appreciate Lancaster University Engineering Department for the support in
48 carrying out this research work.
49
50
51

52 **ORCID**

- 53
54
55
56
57
58
59
60
1. Ibitoye Adelusi <https://orcid.org/0000-0002-1028-7784>
 2. Amaechi Chiemela Victor <https://orcid.org/4.0000-0001-6712-2086>
 3. Fabrice Andrieux <https://orcid.org/0000-0002-1129-5583>
 4. Richard Dawson <https://orcid.org/0000-0003-4056-5180>

References

- [1] A. Gleizes, "Perspectives on Thermal Plasma Modelling," *Plasma Chemistry and Plasma Processing*, vol. 35, no. 3, pp. 455-469, 2015, doi: 10.1007/s11090-014-9589-2.
- [2] A. Dayal, D. Pfluger, T. Kearney, R. Western, and T. McAllister, "The Design Optimization of a Plasma Reactor for Chemical Waste Destruction," *Plasma Chemistry and Plasma Processing*, vol. 24, no. 4, pp. 573-584, 2004, doi: 10.1007/s11090-004-7933-7.
- [3] S.-H. Ng, F. La Mantia, and P. Novák, "A multiple working electrode for electrochemical cells: a tool for current density distribution studies," *Angewandte Chemie (International ed. in English)*, vol. 48, no. 3, p. 528, 2009, doi: 10.1002/anie.200803981.
- [4] F. Thomas, P. Ramachandran, M. Dudukovic, and R. Jansson, "Laminar radial flow electrochemical reactors. I. Flow fields," *Journal of Applied Electrochemistry*, vol. 18, no. 5, pp. 768-780, 1988, doi: 10.1007/BF01016906.
- [5] C. L. Liu, Z. Sun, G. M. Lu, X. F. Song, and J. G. Yu, "Experimental and numerical investigation of two-phase flow patterns in magnesium electrolysis cell with non-uniform current density distribution," *Canadian Journal of Chemical Engineering*, vol. 93, no. 3, pp. 565-579, 2015, doi: 10.1002/cjce.22135.
- [6] G. Zhang, C. E. Shaffer, C. Y. Wang, and C. D. Rahn, "Effects of non-uniform current distribution on energy density of li-ion cells," *Journal of the Electrochemical Society*, vol. 160, no. 11, pp. A2299-A2305, 2013, doi: 10.1149/2.061311jes.
- [7] B. Y. Liaw and D. D. Friel, *Battery management and life prediction-Chapter 13*. Elsevier B.V., 2007, pp. 649-689.
- [8] M. Y. Lu et al., "Stable high current density operation of La_{0.6} Sr_{0.4} Co_{0.2} Fe_{0.8} O₃ oxygen electrodes," *J. Mater. Chem. A*, vol. 7, no. 22, pp. 13531-13539, 2019, doi: 10.1039/c9ta04020j.
- [9] S. Maurya, P. T. Nguyen, Y. S. Kim, Q. Kang, and R. Mukundan, "Effect of flow field geometry on operating current density, capacity and performance of vanadium redox flow battery," *Journal of Power Sources*, vol. 404, no. C, pp. 20-27, 2018, doi: 10.1016/j.jpowsour.2018.09.093.
- [10] B. C. H. Steele and A. Heinzl, "Materials for fuel-cell technologies," *Nature*, vol. 414, no. 6861, p. 345, 2001, doi: 10.1038/35104620.
- [11] B. Steele, "Material science and engineering: The enabling technology for the commercialisation of fuel cell systems," *Journal of Materials Science*, vol. 36, no. 5, pp. 1053-1068, 2001, doi: 10.1023/A:1004853019349.
- [12] S. Shukla, K. Domican, K. Karan, S. Bhattacharjee, and M. Secanell, "Analysis of Low Platinum Loading Thin Polymer Electrolyte Fuel Cell Electrodes Prepared by Inkjet Printing," *Electrochimica Acta*, vol. 156, pp. 289-300, 2015, doi: 10.1016/j.electacta.2015.01.028.
- [13] L. Fan, Z.-S. Mao, C. Yang, and Y. Wang, "NUMERICAL SIMULATION OF LAMINAR SOLID-LIQUID TWO-PHASE FLOW IN STIRRED TANKS," *Chemical Engineering Communications*, vol. 194, no. 3, pp. 291-308, 2007, doi: 10.1080/00986440600829861.
- [14] J. J. Derksen, "Simulations of solid-liquid scalar transfer for a spherical particle in laminar and turbulent flow," *AIChE Journal*, vol. 60, no. 3, p. 1202, 2014.
- [15] J. R. Burns and R. J. J. Jachuck, "Determination of liquid–solid mass transfer coefficients for a spinning disc reactor using a limiting current technique," *International Journal of Heat and Mass Transfer*, vol. 48, no. 12, pp. 2540-2547, 2005, doi: 10.1016/j.ijheatmasstransfer.2004.11.029.
- [16] M. Hamidipour, J. Chen, and F. Larachi, "CFD study on hydrodynamics in three-phase fluidized beds -- Application of turbulence models and experimental validation.(Report)," *Chemical Engineering Science*, vol. 78, p. 167, 2012.

- 1
2
3 [17] N. V. Obraztsov, D. I. Subbotin, V. E. Popov, V. Y. Frolov, and A. V. Surov, "Modelling of
4 heating of plasma-chemical reactor in Comsol Multiphysics," vol. 1038, ed, 2018.
5 [18] V. Tukac, A. Prokesova, J. Hanika, M. Zbuzek, and R. Cerny, "Simulation of HDS tests in
6 trickle-bed reactor," ed, 2014, pp. 739-744.
7 [19] J. Ye, R. Webber, and Y. Wang, "A reduced unconstrained system for the cloth dynamics
8 solver," *International Journal of Computer Graphics*, vol. 25, no. 10, pp. 959-971, 2009, doi:
9 10.1007/s00371-008-0307-z.
10 [20] R. Peláez, P. Marín, F. V. Díez, and S. Ordóñez, "Direct synthesis of dimethyl ether in multi-
11 tubular fixed-bed reactors: 2D multi-scale modelling and optimum design," *Fuel Processing*
12 *Technology*, vol. 174, pp. 149-157, 2018, doi: 10.1016/j.fuproc.2018.02.025.
13 [21] A. Oury, A. Kirchev, and Y. Bultel, "A numerical model for a soluble lead-acid flow battery
14 comprising a three-dimensional honeycomb-shaped positive electrode," *Journal of Power*
15 *Sources*, vol. 246, pp. 703-718, 2014, doi: 10.1016/j.jpowsour.2013.07.101.
16 [22] K. Pougatch, M. Salcudean, and J. McMillan, "Three-dimensional numerical modelling of
17 interactions between a gas-liquid jet and a fluidized bed," *Chemical Engineering Science*, vol.
18 68, no. 1, pp. 258-277, 2012, doi: 10.1016/j.ces.2011.09.037.
19 [23] K. W. Chua, Y. T. Makkawi, and M. J. Hounslow, "Time scale analysis for fluidized bed melt
20 granulation III: Binder solidification rate," *Chemical Engineering Science*, vol. 66, no. 3, pp.
21 336-341, 2011, doi: 10.1016/j.ces.2010.10.031.
22 [24] V. Orava, O. Soucek, and P. Cendula, "Multi-phase modeling of non-isothermal reactive flow
23 in fluidized bed reactors," *J. Comput. Appl. Math.*, vol. 289, pp. 282-295, 2015, doi:
24 10.1016/j.cam.2015.01.012.
25 [25] C. Briens, M. Hamidi, F. Berruti, and J. McMillan, "Development and study of measurement
26 methods for bogging in a fluidized bed.(Report)," *Powder Technology*, vol. 316, p. 92, 2017,
27 doi: 10.1016/j.powtec.2017.01.075.
28 [26] S. Balaji, J. Du, C. M. White, and B. E. Ydstie, "Multi-scale modeling and control of fluidized
29 beds for the production of solar grade silicon," *Powder Technology*, vol. 199, no. 1, pp. 23-31,
30 2010, doi: 10.1016/j.powtec.2009.04.022.
31 [27] R. Ramachandran, M. Akbarzadeh, J. Paliwal, and S. Cenkowski, "Computational Fluid
32 Dynamics in Drying Process Modelling—a Technical Review," *An International Journal*, vol.
33 11, no. 2, pp. 271-292, 2018, doi: 10.1007/s11947-017-2040-y.
34 [28] D. Kladekova, R. Orinakova, H.-D. Wiemhofer, A. Krajnikova, and A. Orinak, "Two-
35 dimensional modelling and validation of the mass flow in a mixing stirred reactor.(Regular
36 Paper)," *Nanomaterials and Nanotechnology*, p. 1, 2013.
37 [29] D. Kladeková, R. Oriňáková, H.-D. Wiemhöfer, A. Krajníková, and A. Oriňák, "Computational
38 Fluid Dynamic Modeling of a Mixing Stirred Reactor: Three-Dimensional Axisymmetric
39 Models," *Particulate Science and Technology*, vol. 31, no. 2, pp. 147-155, 2013, doi:
40 10.1080/02726351.2012.675015.
41 [30] A. N. Shoeron and M. E. Suss, "The effect of surface transport on water desalination by porous
42 electrodes undergoing capacitive charging," *Journal of Physics: Condensed Matter*, vol. 29, no.
43 8, p. 084003, 2017, doi: 10.1088/1361-648X/29/8/084003.
44 [31] Y. Li, W. Zhao, S. Xu, and W. Xia, "Changes of size, ash and density of coal particles on the
45 column axis of a liquid-solid fluidized bed," *Powder Technology*, vol. 245, pp. 251-254, 2013,
46 doi: 10.1016/j.powtec.2013.04.039.
47 [32] A. S. a. T.Kannadasan, "Effect of Fluid Flow Rates on Hydrodynamic Characteristics of Co-
48 Current Three Phase Fluidized Beds with Spherical Glass Bead Particles," *International Journal*
49 *of ChemTech Research*, vol. 1, no. 4, pp. 851-855, Oct-Dec 2009 2009.
50
51
52
53
54
55
56
57
58
59
60

- 1
2
3 [33] L. Wei and M. Sun, "Numerical studies of the influence of particles' size distribution
4 characteristics on the gravity separation performance of Liquid-solid Fluidized Bed Separator,"
5 International Journal of Mineral Processing, vol. 157, pp. 111-119, 2016, doi:
6 10.1016/j.minpro.2016.10.004.
7
- 8 [34] S. Wang et al., "Study of hydrodynamic characteristics of particles in liquid-solid fluidized bed
9 with modified drag model based on EMMS," Advanced Powder Technology, vol. 25, no. 3,
10 2014, doi: 10.1016/j.appt.2014.02.009.
11
- 12 [35] M. Mohagheghi, M. Hamidi, C. Briens, F. Berruti, and J. McMillan, "The effects of liquid
13 properties and bed hydrodynamics on the distribution of liquid on solid fluidized particles in a
14 cold-model fluidized bed," Powder Technology, vol. 256, no. C, pp. 5-12, 2014, doi:
15 10.1016/j.powtec.2014.01.083.
16
- 17 [36] S. Wang, Z. Sun, X. Li, J. Gao, X. Lan, and Q. Dong, "Simulation of flow behavior of particles
18 in liquid-solid fluidized bed with uniform magnetic field," Powder Technology, vol. 237, p.
19 314, 2013.
- 20 [37] M. E. Cordero et al., "CFD Analysis of BED Textural Characteristics on TBR Behavior:
21 Hydrodynamics and Scaling-up," International Journal of Chemical Reactor Engineering, vol.
22 15, no. 6, 2017, doi: 10.1515/ijcre-2017-0095.
23
- 24 [38] Ibitoye Adelusi, Amaechi Chiemela Victor, Fabrice Andrieux and Richard Dawson, "Practical
25 Development of a ZnBr₂ Flow Battery with a Fluidized Bed Anode Zinc-Electrode". Journal
26 of The Electrochemical Society, 2020, Vol. 167 (050504). DOI: 10.1149/2.0112005JES.
27
- 28 [39] Samuel Beach et al, "Fabrication and validation of flexible 3D pillar electrodes for neural
29 electrophysiological recording". Eng. Res. Express, 2019 [https://doi.org/10.1088/2631-](https://doi.org/10.1088/2631-8695/ab407e)
30 [8695/ab407e](https://doi.org/10.1088/2631-8695/ab407e).
31
- 32 [40] Geoffrey Ryan Adams et al , " Fabrication of rapid response self-powered photodetector using
33 solution processed triple cation lead-halide perovskite". Eng. Res. Express, 2020, Vol. 2
34 (015043). <https://doi.org/10.1088/2631-8695/ab7b38>.
35
- 36 [41] Dassault Systems Solidworks Corporation, 2020. " Solidworks 2019 Resource Centre Support".
37 Retrieved on: 21st March, 2020. Available at: [https://www.solidworks.com/support/resource-](https://www.solidworks.com/support/resource-center)
38 [center](https://www.solidworks.com/support/resource-center).
39
- 40 [42] COMSOL, 2019 " COMSOL Multiphysics Reference Manual". Part number: CM020005.
41 Retrieved on: 21st March, 2020. Available at:
42 https://doc.comsol.com/5.5/doc/com.comsol.help.comsol/COMSOL_ReferenceManual.pdf.
43
- 44 [43] ANSYS INC. 2019, "ANSYS 2018 Theory Manual. ANSYS Inc. Southpointe, Canonsburg,
45 PA, USA.
46
47
48
49
50
51
52
53
54
55
56
57
58
59
60