



**UCC Library and UCC researchers have made this item openly available.
Please [let us know](#) how this has helped you. Thanks!**

Title	Demonstration of three dimensional imaging of blood vessel using a no moving parts electronic lens-based optical confocal microscope
Author(s)	Riza, Nabeel A.
Publication date	2007-03-28
Original citation	Riza, N. A., Sheikh, M., Webb-Wood, G. and Kik, P. (2007) 'Demonstration of three dimensional imaging of blood vessel using a no moving parts electronic lens-based optical confocal microscope', Proceedings of SPIE, 6510, Medical Imaging 2007: Physics of Medical Imaging, 65100J, San Diego, CA, United States 28 March. doi: 10.1117/12.708836
Type of publication	Conference item
Link to publisher's version	http://dx.doi.org/10.1117/12.708836 Access to the full text of the published version may require a subscription.
Rights	© 2007 Society of Photo-Optical Instrumentation Engineers (SPIE). One print or electronic copy may be made for personal use only. Systematic reproduction and distribution, duplication of any material in this paper for a fee or for commercial purposes, or modification of the content of the paper are prohibited.
Item downloaded from	http://hdl.handle.net/10468/10084

Downloaded on 2020-06-06T01:30:04Z

PROCEEDINGS OF SPIE

[SPIDigitalLibrary.org/conference-proceedings-of-spie](https://spiedigitallibrary.org/conference-proceedings-of-spie)

Demonstration of three dimensional imaging of blood vessel using a no-moving parts electronic lens-based optical confocal microscope

Riza, Nabeel, Sheikh, Mumtaz, Webb-Wood, Grady, Kik, Pieter

Nabeel A. Riza, Mumtaz Sheikh, Grady Webb-Wood, Pieter Kik, "Demonstration of three dimensional imaging of blood vessel using a no-moving parts electronic lens-based optical confocal microscope," Proc. SPIE 6510, Medical Imaging 2007: Physics of Medical Imaging, 65100J (28 March 2007); doi: 10.1117/12.708836

SPIE.

Event: Medical Imaging, 2007, San Diego, CA, United States

Demonstration of Three Dimensional Imaging of Blood Vessel using a No-Moving Parts Electronic Lens-based Optical Confocal Microscope

Nabeel A. Riza^{*a}, Mumtaz Sheikh^a, Grady Webb-Wood^b, and Pieter Kik^b

^aPhotonic Information Processing Systems (PIPS) Laboratory

^bNano-Photonics and Near Field Optics Laboratory

The College of Optics & Photonics/CREOL

University of Central Florida

4000 Central Florida Blvd., Orlando, FL 32816-2700

*email: riza@creol.ucf.edu Tel: 407-823-6829 Fax: 407-823-6880

ABSTRACT

To the best of our knowledge, for the first time, biological Three Dimensional (3-D) imaging has been achieved using an electronically controlled optical lens to accomplish no-moving parts depth section scanning in a modified commercial 3-D confocal microscope. Specifically, full 3-D views of a standard CDC blood vessel (enclosed in a glass slide) have been obtained using the modified confocal microscope operating at the red 633 nm laser wavelength.

Keywords: Optical imaging, microscopic imaging, confocal microscopy, no-moving parts.

1. INTRODUCTION

Confocal microscopes are widely used for 3-D imaging of microscopic objects. In the basic confocal microscope, a point source is focused onto the sample using an objective lens. The reflected or transmitted light, depending on which configuration is used, is collected by the same or a different objective lens and focused on a tiny pinhole in front of the detector using a spherical lens. The size of the pinhole is chosen to let only the central part of the Airy pattern to hit the detector. This ensures that only the rays coming from the image focal plane can reach the detector while all the out-of-focus light is rejected. This confocal process strongly increases image contrast as well as slightly improves axial resolution as compared to conventional optical microscopes [1-4].

Present-day confocal microscopes use piezoelectric mechanical motion stages for 3-D scanning of test samples to realize full 3-D views. As piezoelectric stages have inherent hysteresis issues, the system uses complex feedback controls to maintain scan motion operational accuracy. In effect, these all-mechanical scan confocal microscopes become complex, power hungry, bulky, and expensive systems. Recently, we proposed the use of electronic optical scanning technology to alleviate this moving parts scanning burden for commercial confocal microscopes [5]. To our knowledge, this is the first time that Electronic (E) lens technology using liquid crystals has been applied to full 3-D view confocal microscopy and produced 3-D images of blood vessel biological samples.

2. PROPOSED E-LENS BASED AXIAL SCANNING CONFOCAL MICROSCOPE

We have recently shown how liquid crystal lens technology can be used in a basic confocal microscopy set-up to enable no-moving parts axial scanning to realize depth direction scans of electronic and optical materials to produce material one dimensional profile sections [6]. The focus of the present paper is to show how our earlier developed electronic lens-based confocal design can be applied to a full 3-D scan commercial confocal microscopy system, a WITec AlphaSNOM, in order to realize a next generation unit where depth scanning is achieved via a no-moving parts device (see Fig.1). More specifically, we apply the technique to biological sample imaging to benefit medical arena users. The proposed approach uses the concept of programmable weak thin lens cascading with a strong fixed focal length microscope objective lens to form a variable focal length objective.

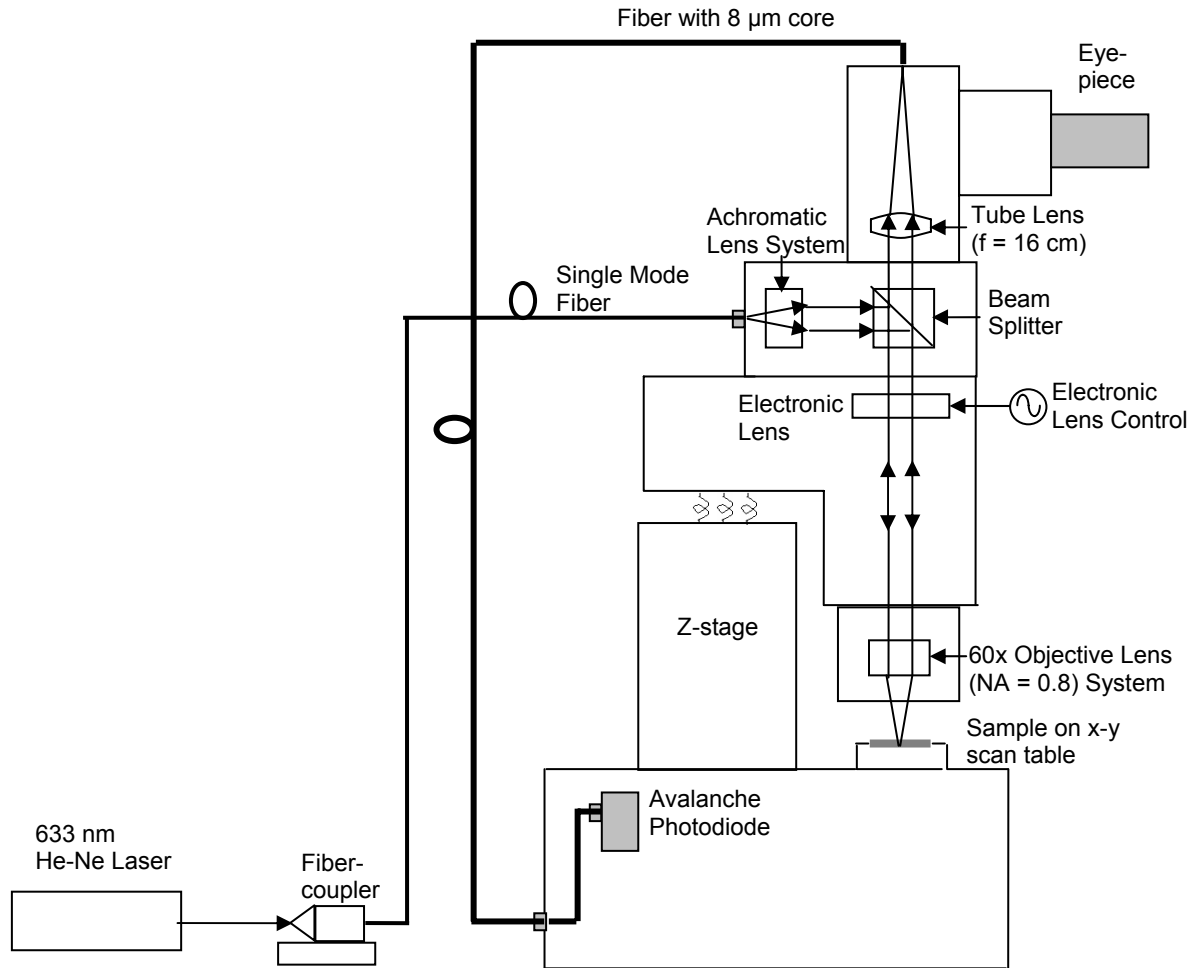


Fig. 1. Proposed electronic lens-based axial scanning full 3-D imaging confocal microscope systems realized by modifying a WITec AlphaSNOM system.

3. EXPERIMENTAL DEMONSTRATION

Fig.2 shows a cross-sectional view and dimensions of an approximately two months old pig artery in a Center for Disease Control (CDC) slide No.IHC04-115, Hemediagnostic S-100D. 3-D images of the pig artery have been realized using both the conventional all-mechanical scanning confocal microscope and the modified electronic lens-based confocal microscope. Fig.3 shows transverse (or cross-sectional) views of the Fig.2 marked square targeted area. The scans in Fig.3 are 500 pixel x 500 pixel with motion step of 0.1 microns enabling a 50 micron x 50 micron imaged zone. The electronic lens and mechanical motion axial scans are implemented over 20 microns that fully covers the artery sample axial size. Fig.3(a) data is obtained by using the mechanical z-stage motion to position the confocal depth at a chosen position within the artery. Next, with the mechanical z-stage at the same location, the electronic lens is turned on for a 5 microns focal shift and a transverse scan is taken (see Fig 3(b)). The change in focus caused by the electronic lens is clearly visible. With the electronic lens still on, Fig.3(c) data is obtained by moving the mechanical z-stage by a distance of 5 microns to recover the desired known axial location and then implement a mechanical cross-sectional scan. Fig.3(a) and Fig.3(c) views are similar indicating that the electronic lens-based 3-D confocal microscope is an effective tool for imaging.

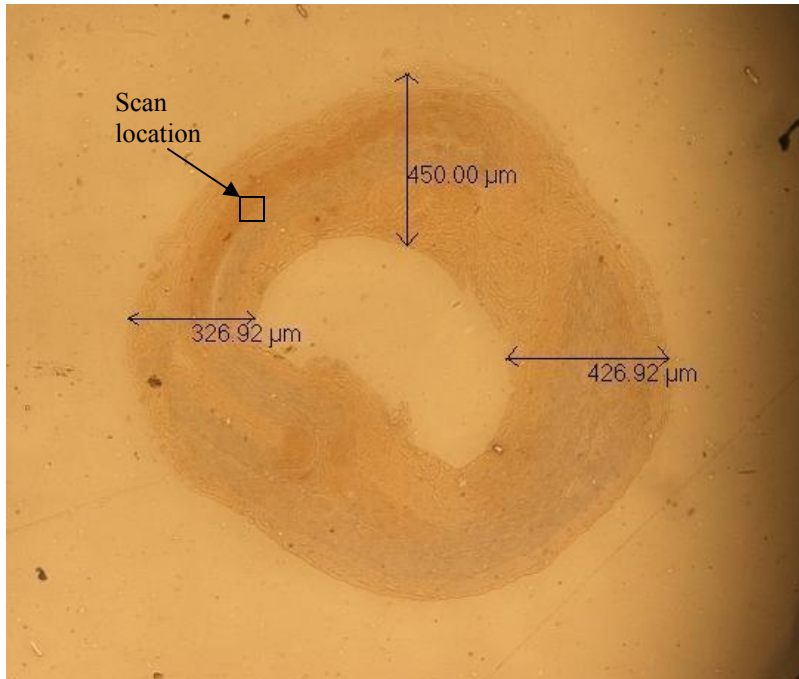


Fig.2. Cross-Section of Pig Artery from CDC Slide produced using standard optical microscope.

The electronic lens is based on nematic liquid crystal technology [7] and enables microscope objective focal length changes via adjustment of the electronic lens drive frequency. For comparison, full 3-D views of the blood vessel were generated using the mechanical depth scanning stages built into the commercial microscope. Our study shows that the electronic lens-based 3-D views match the standard mechanical operation results. 50 micron x 50 micron size 500 pixel x 500 pixel image slices were obtained with pixel or physical motion step of 0.1 micron. Electronic and mechanical depth or axial direction scanning was achieved over a 20 micron zone more than adequate to scan the pig artery. Because traditional piezo-electric mechanical motion stages have hysteresis issues and require complex feedback systems, leading to a complex, bulky, and costly system, the proposed electronic lens-based microscope can alleviate some of the burden on the microscope control electronics, in addition to improving long-term reliability via the no-moving parts design. Also, imaging of biological samples can be faster using this electronic lens based acquisition process versus the inertia-limited translation stage, enabling capture of fast temporal effects.

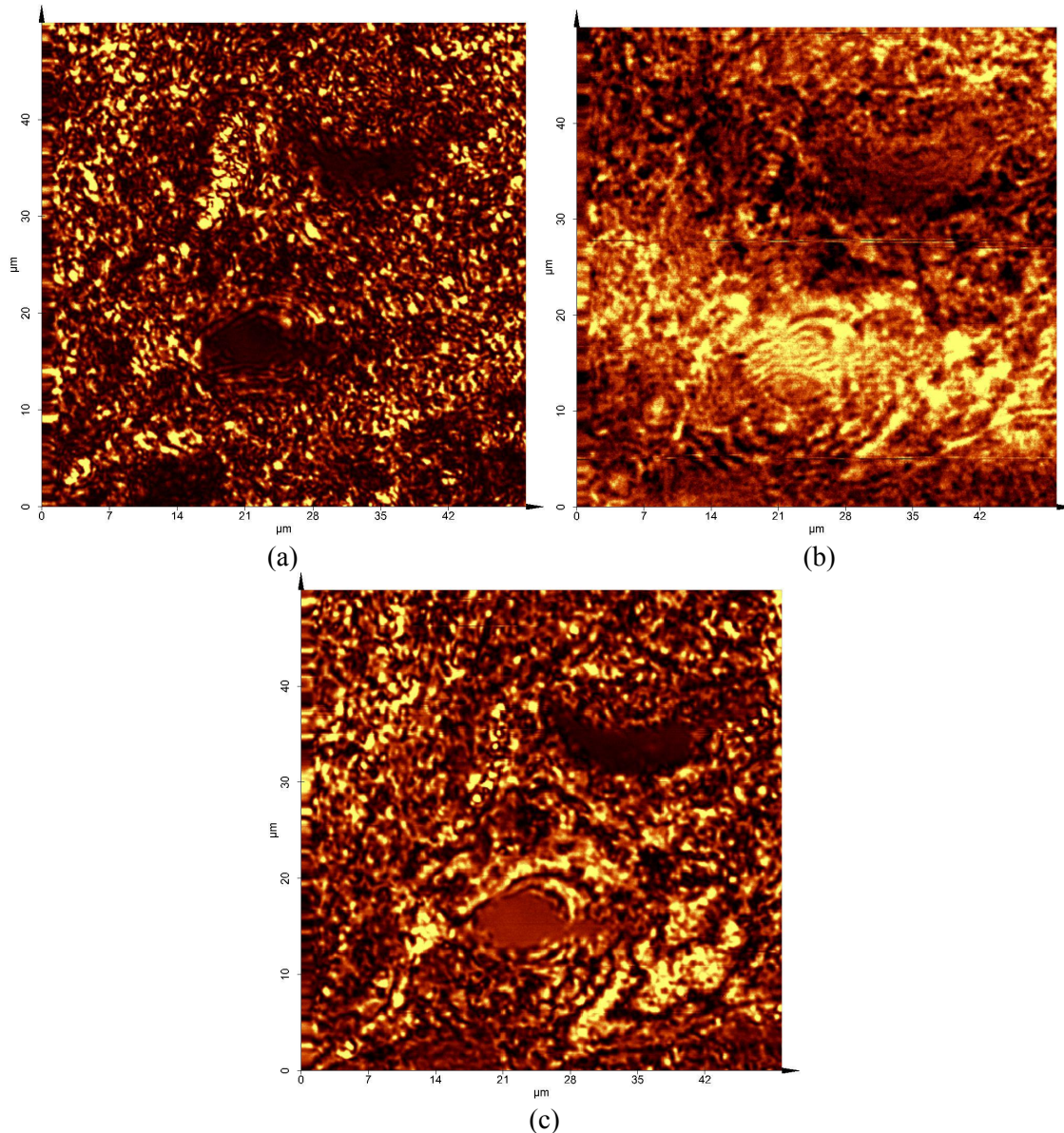


Fig.3. Artery sample $50\ \mu\text{m} \times 50\ \mu\text{m}$ cross-sectional or transverse (x-y) scan of 500 pixels \times 500 pixels using (a) Conventional All-Mechanical Scan Confocal Microscope, (b) Modified Confocal Microscope using Electronic lens set for a 5 micron focal length change, and (c) Modified Confocal Microscope using 5 micron focus change on-state Electronic Lens and a counter-direction 5 micron axial/depth scan position offset via mechanical motion to recover Fig 3(a) image.

4. CONCLUSION

We have successfully shown that electronic lens technology can be applied to conventional confocal microscopy systems to realize a no-moving parts axial scanning microscope with reasonably equivalent 3-D imaging results when applied to biological samples. Improved optical designs can reduce optical aberrations in the proposed E-lens based confocal microscope. Just like the standard confocal microscope, this technique would also work equally well in a fluorescence microscope arrangement [8]. In the future, one can envision a confocal microscope with complete 3-D scanning accomplished using a no-moving parts design, allowing power and space efficient fast 3-D imaging of real-time biological effects.

5. ACKNOWLEDGEMENTS

We thank Dr. Sajjad Khan for initial experimental support. In addition, we thank Prof. C. Yang of Caltech for providing the CDC blood vessel slide.

REFERENCES

1. M. Minsky, "Microscopy Apparatus," US Patent 3013467, 1961.
2. T. Wilson, *Confocal Microscopy*, Academic Press, San Diego, 1990.
3. T. Corle and G. Kino, "Confocal Scanning Optical Microscopy and Related Imaging Systems," Academic Press, San Diego, 1996.
4. M. Rajadhyaksha, R. Anderson, and R. Webb, "Video-Rate Confocal Scanning Laser Microscope for Imaging Human Tissues In Vivo," *Applied Optics*, Vol. 38, Issue 10, Pages 2105-2115, April 1999.
5. N. A. Riza and A. Bokhari, "Agile Optical Confocal Microscopy Instrument Architectures For High Flexibility Imaging," in *Three Dimensional Confocal Microscopies*, BIOS 2004 Biomedical Optics, Photonics West, Proc. SPIE Vol. 5324, Paper No. 14, Pages 77-88, January 2004, San Jose, California, USA.
6. S. A. Khan and N. A. Riza, "Demonstration of a No-Moving-Parts Axial Scanning Confocal Microscope Using Liquid Crystal Optics," *Optics Communications*, Vol. 265, Issue 2, Pages 461-467, September 2006.
7. G. Vdovin, A. Naumov, M. Loktev, V. Belopukhov, F. Vladimirov, and G. Love, "Wave front control systems based on modal liquid crystal lenses," *Rev. Sci. Instrum.*, Vol. 71, Issue 9, Pages 3290-3297, 2000.
8. F. Rost and R. Oldfield, *Fluorescence microscopy, Photography with a Microscope*, Cambridge University Press, Cambridge, United Kingdom, 2000.