

We are IntechOpen, the world's leading publisher of Open Access books Built by scientists, for scientists

4,800

Open access books available

122,000

International authors and editors

135M

Downloads

Our authors are among the

154

Countries delivered to

TOP 1%

most cited scientists

12.2%

Contributors from top 500 universities



WEB OF SCIENCE™

Selection of our books indexed in the Book Citation Index
in Web of Science™ Core Collection (BKCI)

Interested in publishing with us?
Contact book.department@intechopen.com

Numbers displayed above are based on latest data collected.

For more information visit www.intechopen.com



Familial Leukemia Associated with Thrombocytopenia

Jakub Trizuljak and Michael Doubek

Abstract

Familial predisposition to leukemia has been known for decades. In some families, this condition is also associated with thrombocytopenia and history of bleeding. Germline mutations in the RUNX1 gene have been proven to cause familial platelet disorder with predisposition to myeloid malignancies (FDPMM). The disease typically presents with mild-to-moderate thrombocytopenia with normal-size platelets, functional platelet defects leading to prolonged bleeding, and an increased risk to develop myelodysplastic syndrome (MDS), acute myeloid leukemia (AML), or T-cell acute lymphoblastic leukemia (T-ALL). In recent years, molecular defects in other genes, such as ANKRD26 and ETV6, have been associated with thrombocytopenia and susceptibility to hematological malignancy as well. In our chapter, we will present a review of up-to-date knowledge on this topic along with several case studies demonstrating the diagnostic process and management of the affected families.

Keywords: AML, familial, RUNX1, ANKRD26, ETV6

1. Introduction

Familial leukemia (e.g., repeated occurrence of hematologic neoplasia in families more often than is expected by chance alone) has been a topic of interest for decades. Almost a hundred years ago, connections between inherited forms of myelodysplastic syndrome (MDS) and myeloid and lymphoid leukemia were established with several constitutional disorders in childhood, such as Fanconi anemia [1]. Since then, a number of additional inherited bone marrow failure syndromes and inherited conditions with predisposition to leukemia were discovered. Repeated occurrence of similar phenotypes, high clinical penetrance for hematologic disorders, and often consanguineous inheritance made identification of the respective genetic causes easier. These conditions are caused by germline mutations (genetic changes which can be carried on to next generations) in genes playing an important role in the development and maintenance of hematopoietic system. Collective effort of many researchers in the past has improved the knowledge about risk for MDS/leukemia, as well as the natural history and clinical outcomes of affected patients [2].

Some of these syndromes present with a distinctive hematological phenotype—thrombocytopenia. Until the end of the last century, only a few forms of inherited thrombocytopenia were known, all of which were extremely rare. Since then, the knowledge of thrombocytopenia has improved, and we presently know at least 26 disorders caused by mutations in 30 genes [3]. It also became quite apparent that in

Myeloid neoplasm classification	Genes involved	Recurrently mutated in sporadic AML, largely initiating or secondary event
Myeloid neoplasia without a preexisting disorder or organ dysfunction	<i>CEBPA</i>	Yes, secondary
	<i>DDX41</i>	No
Myeloid neoplasms and preexisting platelet disorders	<i>RUNX1</i>	Yes, secondary
	<i>ANKRD26</i>	No
	<i>ETV6</i>	Yes, secondary
Myeloid neoplasm and other organ dysfunction		
Germ line <i>GATA2</i> mutation	<i>GATA2</i>	Yes, secondary
BM failure syndromes*	Multiple	No
Telomere biology disorders	<i>TERT, TERK</i>	No
JMML associated with neurofibromatosis,	<i>NF1</i> ,	Yes, secondary
Noonan syndrome or Noonan syndrome-like disorders, Down syndrome	<i>PTPN11, CBL, KRAS</i>	

* Includes Fanconi anemia (*FANCA, FANCB, FANCC, FANCD1 (BRCA1), FANCD2, FANCE, FANCF, FANCG, FANCI, FANCL (BRIP1), FANCL, FANCM, FANCN (PALB2), FANCO (RAD51C), FANCP (SLX4), FANCQ (ERCC4), FANCR (RAD51), FANCS (BRCA1), FANCT (UBE2T), FANCU, (XRCC2), FANCV (MAD2L2/REV7) and FANCW (RFX3)*), dyskeratosis congenita (*DKC1, TERC, TERT, TIN2, NOP10, NHP2*), Schwachman-Diamond syndrome (*SBDS*), Diamond Blackfan anemia (*RPS19, RPS24, RPS17, RPL5, RPL11, RPL35A, RPS7, RPS10, RPS26, GATA1*), congenital amegakaryocytic thrombocytopenia (*MPL*), and severe congenital neutropenia (*ELA2, GFI1, HAX1*).

Figure 1.

Myeloid malignancies with germline predisposition. The 2016 revision to the World Health Organization classification of myeloid neoplasms and acute leukemia [4].

some families, there is a connection between thrombocytopenia and additional risk of hematological malignancy. Thanks to availability of next-generation sequencing (NGS) technologies, genes associated with hereditary thrombocytopenia and risk of leukemic transformation were successfully identified, notably *RUNX1*, *ETV6*, and *ANKRD26*. These new hereditary syndromes were included in the 2016 revision of World Health Organization (WHO) classification of myeloid neoplasms and acute leukemia [4] (**Figure 1**).

2. *RUNX1* deficiency (familial platelet disorder with predisposition to myeloid malignancies (FPDMM))

RUNT-related transcription factor 1 (*RUNX1*) is a master regulator of hematopoiesis [5]. It is involved in the most frequent chromosome translocations in leukemia (i.e., *t(12;21)/RUNX1/ETV6*, *t(8;21)/RUNX1/RUNX1T1*, and *t(3;21)/RUNX1/EVI1*) [6]. Moreover, somatic *RUNX1* mutations have been identified as recurrent abnormalities in myelodysplastic syndromes (MDS) and acute myeloid leukemia (AML) [7].

For the first time, germline *RUNX1* mutations were described in 1999 [8]. Individuals carrying germline *RUNX1* mutation may develop familial platelet disorder with predisposition to myeloid malignancies (FPDMM). Characteristic features include (1) thrombocytopenia, (2) functional platelet defects, and (3) an increased risk to develop MDS, AML, or acute T-lymphoblastic leukemia (T-ALL). There is a significant phenotypic heterogeneity. FPDMM (MIM601399) is inherited in an autosomal-dominant mode with incomplete penetrance and variable expressivity [5, 6].

2.1 Diagnostic criteria to identify at-risk individuals

Diagnosis of FDPMM in patients with leukemia carries important clinical implications for the patient but also for her/his family. Recognition of clinical features pointing to this genetic predisposition is crucial. The most important feature is persistent thrombocytopenia or aspirin-like platelet disorder. Pedigree analysis can identify first- or second-degree relatives with higher occurrence of bleeding and hematological malignancies. The bleeding symptoms may be mild or not present. Onset of leukemia varies and spans from infant age to adulthood [9, 10]. In the case of family history of MDS, early-onset leukemia and/or a personal history of bleeding, immune deficiency, or dysmorphic features, genetic counseling is advised [11, 12]. Comprehensive evaluation involves a thorough review of individual's family and personal history, hematologic investigation, and personal risk assessment of likelihood of a hereditary predisposition within his/her family, and if necessary, genetic testing with NGS to determine the possibility of a germline mutation should be offered [13]. We provide an example of a familial case of FDPMM in **Figure 2** [14].

Predictive testing of healthy relatives is advised due to risk of bleeding and leukemia, even in infancy. In the case of individuals with leukemia, where allogeneic stem cell transplantation from a HLA-matching sibling donor is the best possible treatment option, mutation screening should be a part of decision-making process, to prevent adverse outcomes after transplantation [15–17].

Due to the advance and widespread use of NGS technologies in diagnosis of myeloid neoplasia in recent years, many individuals at risk are being identified by screening large cohorts of patients. In particular, leukemias with homozygous RUNX1 mutations, biallelic RUNX1 mutations, and trisomy 21 indicate that the patients are likely candidates for FDPMM [18].

2.2 Platelet features

A personal or family history of thrombocytopenia and/or bleeding tendency may be an important pointer to diagnose FDPMM in patient with MDS, AML, or T-ALL. The platelet count is usually mild to moderate and, in some cases, low-normal and even normal. Platelet size is not affected—similar to ETV6- or ANKRD26-related thrombocytopenias, which are also characterized by normal-size platelets [19]. Thrombocytopenia is caused by abnormal megakaryocyte maturation and impaired proplatelet formation. Dysmegakaryopoiesis may be present in bone marrow smears even before leukemic transformation [20].

A functional defect of platelets is present in most, if not all, patients with RUNX1 germline mutations, leading to abnormal secretion and aggregation [21].

The bleeding diathesis is variable within and among families. As some carriers of RUNX1 have mild or none bleeding symptoms, the presence of mutation may go unnoticed, and genetic screening is necessary to determine mutational status.

2.3 Role of *RUNX1* in hematopoiesis

The finding of platelet abnormalities in patients with FDPMM has revealed the essential role of RUNX1 in the megakaryocytic lineage. RUNX1 works as a transcription factor at different stages of megakaryocyte development by regulating the expression of multiple factors relevant to platelet production and function. Reduced expression of RUNX1 target genes, including MPL proto-oncogene, thrombopoietin receptor (MPL), nonmuscle myosin IIA/myosin heavy chain 9 (MYH9) and its regulatory chain MLC2, arachidonate 12-lipoxygenase (ALOX12), and NFE2, has been shown to cause the defect in platelet number and function in FDPMM [22, 23]. What is more, increased levels

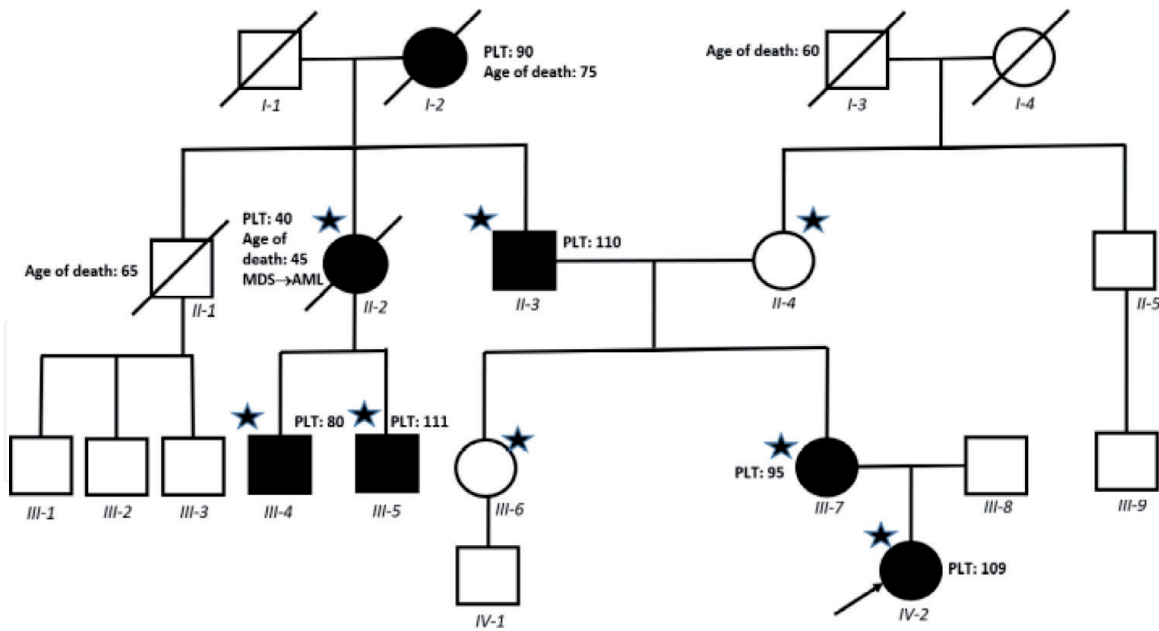


Figure 2.

*Pedigree of a family with thrombocytopenia and predisposition to myeloid malignancies. We identified a family with platelet disorder and predisposition to myeloid malignancies. Using exome sequencing of samples of eight family members, we identified a pathogenic frameshift variant $c.866delG$ ($p.Gly289Aspfs*22$) in exon 8 of *RUNX1* gene, resulting in a premature stop codon. The mutation occurs within the transactivation domain of *RUNX1*. One of the affected individuals developed myelodysplastic syndrome, which progressed to acute myelogenous leukemia. Platelet count (PLT) reported in $\times 10^9/L$, samples analyzed by exome sequencing marked with an asterisk (*), age of death if known [14].*

of nonmuscle myosin IIB (MYH10), which is physiologically repressed by *RUNX1*, contribute to thrombocytopenia by blocking megakaryocyte polyploidization [24].

RUNX1 is a master regulator in hematopoietic differentiation. It plays a role in the first wave of hematopoiesis producing primitive erythroid cells and megakaryocytes. By enhanced expression of *CEBPE*, it negatively regulates myeloid progenitors and induces granulocytic differentiation. *RUNX1* also regulates cell adhesion to the bone marrow niche [25]. After dimerizing with core-binding factor beta (CBFB), *RUNX1* binds to promoter regions of several transcription factors like *PU.1*, regulating their expression. Binding to DNA and CBFB occurs in the highly conserved Runt homology domain (RHD) at the N-terminal region. Transactivation occurs at the C-terminal part of the molecule [26].

2.4 Phenotype/genotype correlation

Most *RUNX1* mutations lie in the Runt homology domain region (RHD) [1]. Causative mutations are deleterious—most often frameshift, nonsense, or in/del mutations that result in premature protein truncation or nonsense-mediated decay of mRNA. Missense mutations may be present as well. In these cases, it may be hard to determine the pathogenicity of found variants. Here, segregation analyses and functional analyses are needed to confirm the effect of the variants for pathogenesis. Loss of function mutations in RHD, located in the N-terminal part of the protein, impairs normal *RUNX1* function by hindering dimerization and DNA binding. These, as well as mutations in the 5' regulatory region cause haploinsufficiency [27]. Missense mutations in RHD and nonsense and frameshift mutations in the C-terminal domain may lead to dominant-negative effects [10].

What is more, there are inherited structural rearrangements involving *RUNX1*: FDPMM can also be caused by small deletions involving a few base pairs or single exons of the gene and large deletions leading to loss of the complete coding regions.

Deletions of large parts of the long arm of chromosome 21 cause a contiguous gene with various clinical signs, e.g., facial dysmorphism, mental retardation, thrombocytopenia, and increased risk of myeloid malignancies. These large deletions can be reliably detected by array comparative genomic hybridization (CGH)/single-nucleotide polymorphism (SNP) arrays [11, 12].

There seems to be a higher risk of leukemic transformation in the case of dominant-negative mutations of RUNX1 as compared to loss-of-function mutations. Both types of alterations lead to thrombocytopenia phenotype, but only dominant-negative mutations enhance the proliferation rate and clonogenic potential [28]. In the case of haploinsufficiency, biallelic or second-hit mutations are needed to trigger the leukemic transformation.

Unfortunately, there is no clear phenotype/genotype correlation. Within one family, members carrying the same mutation may present with different clinical signs and severity of symptoms. Some carriers develop only mild thrombocytopenia, while others suffer from myeloid neoplasms [29].

2.5 Risk of malignancy and second-hit mutations in RUNX1 deficiency

The risk of malignant transformation into MDS or AML is estimated to be 30–40% [16]. Patients carrying dominant-negative RUNX1 mutations have a higher risk of malignant transformation. The spectrum of malignancies involves AML of various French-American-British subtypes and MDS (refractory anemia with excess blasts, chronic myelomonocytic leukemia and hypoplastic MDS with myelofibrosis). In some cases T-cell ALL has also been described. In the case of MDS/AML, age of onset is at an average of 33 years with a wide age range, while in T-cell ALL, it usually occurs at a younger age [13, 24].

During the course of the disease, the second allele may be inactivated, as expected for tumor suppressor genes according to two-hit hypothesis. Nowadays, there are no definitive answers to what triggers the malignant transformation in RUNX1 germline mutation carriers. However, clonal hematopoiesis may be present even in asymptomatic mutation carriers, preceding overt MDS/AML or FDPMM [30].

Carriers of RUNX1 germline mutations need additional genetic events to develop hematological neoplasm. Often, biallelic alterations of RUNX1 are found, due to secondary RUNX1 mutations or acquired trisomy 21 resulting in the duplication of the mutated allele [31]. RUNX1 mutations are associated with MLL partial tandem duplications, FLT3-ITD, IDH1/2, RAS mutations, and ETV6 rearrangements. These often occur in therapy-related AML [32]. Recently, malignant transformation was reported to be mediated by recurrent somatic mutations in CD25C gene in up to a half of a Japanese patient cohort with RUNX1-related myeloid neoplasia. Next-generation sequencing allows detection of additional mutations in known AML drivers, such as ASXL1, TET2, IDH1, CEBPD, RB1, MLI2, FLT3-ITD, WT1, and SRSF2 [33, 34].

2.6 Clinical management

Treatment of RUNX1-related AML or MDS follows standard protocols. If a disease-causing germline mutation is known in the family, it is important to prevent hematopoietic stem cell transplantation from a sibling or other relative.

In families with high-penetrance mutations, regular clinical examinations including differential blood count are advised. In case of suspicious clinical symptoms or cytopenias, bone marrow aspiration or biopsy with morphological, cytogenetic, and molecular genetic investigations should be discussed. Using new NGS technologies, it is possible to follow up clonal hematopoiesis [30].

2.7 Conclusion

RUNX1 deficiency is a myeloid malignancy predisposition syndrome with high clinical penetrance and variable expressivity of its phenotypic effects. An aspirin-like platelet and mild-to-moderate thrombocytopenia are present in most of the patients. The presence of possible RUNX1 germline mutations should be part of decision-making process in management of HSCT and donor choice in MDS/AML. Follow-up of asymptomatic mutation carriers is necessary.

3. ETV6-related thrombocytopenia with propensity to hematological malignancies

ETV6 was originally discovered in a leukemia-associated chromosomal translocation [35] and has subsequently been identified as a fusion partner in more than 30 chromosomal translocation oncogenes [36]. ETV6 is a transcriptional repressor that binds DNA via a C-terminal DNA-binding domain, highly conserved among ETS-family transcription factors [37]. The ETV6 N-terminal pointed (PNT) domain mediates self-association and frequently contributes to fusion proteins as the partner of tyrosine kinases [38]. Loss of ETV6 has firmly been implicated in the pathogenesis of ETV6-RUNX1(TEL-AML1)-associated childhood leukemia as there is invariably biallelic loss of ETV6 due to deletions of the second (nontranslocated) ETV6 allele [39].

More recently, genome-wide investigations have uncovered that ETV6 is subject to heterozygous mutations in hematologic malignancies, including myelodysplastic syndrome (MDS) [10, 11], acute myeloid leukemia (AML) [40], early T-cell precursor acute lymphoblastic leukemia (T-ALL) [41, 42], high-risk B-ALL [43], and diffuse large B-cell lymphoma (DLBCL) [44]. It remained unclear whether and how loss of ETV6 contributes to leukemogenesis.

Now a number of recent studies have expanded our knowledge. The initial report from Zhang et al. identified the link between heterozygous germline ETV6 mutation to dominantly inherited thrombocytopenia and predisposition to hematological malignancies [45]. Subsequent studies extended these findings to additional families with unique ETV6 germline mutations and predisposition to malignancy [46, 47]. With one exception, all of the germline mutations cluster within the highly conserved ETS domain. The only mutation outside the ETS domain, P214L, was repeatedly identified in family studies.

3.1 Diagnostic criteria to identify at-risk individuals

Diagnosis of ETV6-related thrombocytopenia is paramount due to clinical implications for the patient. The most important clinical feature is thrombocytopenia with normal-sized platelets. Sometimes, large mean corpuscular volume (MCV) of red blood cells is reported. In family history, individuals with occurrence of bleeding and hematological malignancies are identified. Bleeding symptoms are variable. No recurrent extra-hematologic abnormalities have been identified, though in some families, solid tumors may occur [45].

Genetic counseling, comprehensive evaluation of individual's family and personal history, hematologic investigation, personal risk assessment of likelihood of a hereditary predisposition within his/her family, and, if necessary, genetic testing with NGS are advised. In the case of a found mutation, predictive testing of healthy relatives is necessary to identify at-risk individuals [13]. We provide an example of a familial case of ETV6 deficiency in **Figure 3** [47]. In cases when allogenic

hematopoietic stem-cell transplantation is considered in a patient with leukemia and ETV6 mutation, possible sibling donors must be tested to avoid the risk of relapse and transplant-related morbidity and mortality.

3.2 Platelet features

All affected pedigrees with ETV6 germline mutations have a highly penetrant autosomal-dominant pattern of thrombocytopenia. Severity of thrombocytopenia is highly variable. Many patients have mild thrombocytopenia with platelet counts ranging between 100 and $150 \times 10^9/L$, while others had platelet counts $<50 \times 10^9/L$. Severe thrombocytopenia $<20 \times 10^9/L$ is seen rarely in the absence of myelodysplastic syndrome [46]. Bleeding symptoms reported are generally mild including petechiae, ecchymoses, epistaxis, gum bleeding, easy bruising, and menorrhagia. Platelet size is generally normal, though macrothrombocytopenia may be seen in a subset of patients.

Hemoglobin is normal in most patients. Erythrocyte mean corpuscular volume (MCV) is generally normal or increased. Neutrophil counts are normal. Examination of bone marrow reveals frequent immature hypolobulated megakaryocytes, mild dyserythropoiesis, and mild hypolobulation and hypogranulation of myeloid cells [48].

3.3 Risk of malignancy

A substantial number of patients carrying ETV6 germline mutation develop hematological malignancies during their lifetime. The risk of leukemic transformation is estimated to be up to 25–40%; the age of onset is highly variable (8–82 years). The spectrum of malignancies involves acute lymphoblastic leukemia (ALL) and myeloid malignancies including MDS, AML, chronic myelomonocytic leukemia (CMML), myeloproliferative disorders (typically polycythemia vera), and multiple myeloma. Special attention was brought to relationship between germline ETV6 mutations and childhood ALL. Targeted sequencing of

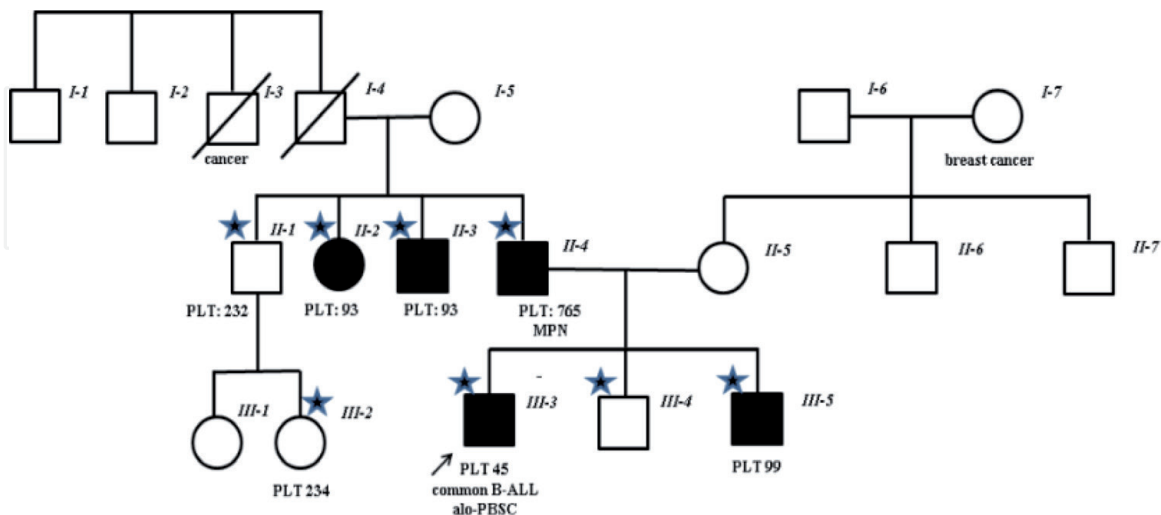


Figure 3.

Pedigree of a family with thrombocytopenia and occurrence of lymphoid and myeloid malignancies. We identified a family with autosomal dominant thrombocytopenia, high erythrocyte mean corpuscular volume (MCV), occurrence of B cell-precursor acute lymphoblastic leukemia (ALL) and myeloproliferative neoplasm (MPN). Whole-exome sequencing identified a heterozygous single-nucleotide change in ETV6 (ETS variant 6), c.1138T>A, encoding a p.Trp380Arg substitution in the C-terminal DNA-binding domain, segregating with thrombocytopenia and elevated MCV. The role of Trp380 is structural, being surrounded by hydrophobic residues in the domain hydrophobic core. Its substitution by an arginine will therefore severely destabilize the domain structure. Platelet count (PLT) reported in $\times 10^9/L$, samples analyzed by exome sequencing marked with an asterisk [47].

a large cohort of childhood ALL patients revealed 31 leukemia-associated ETV6 exonic variants [49]. All variants in this study were absent in control population. About 48% of found variants were found in the ETS DNA-binding domain and were predicted to be deleterious. Children with ETV6 variants were older at diagnosis (median 10.2 years) than those without ETV6 variants (4.7 years). There was no association between ETV6 mutation status and early treatment response or risk of relapse.

In some families, a few solid tumors have been reported: colorectal carcinoma, breast cancer, renal cell carcinoma, and tumor of the central nervous system. Further investigation is needed to understand the role of ETV6 in solid tumors [45, 49, 50].

3.4 Mutation spectrum

The mutation types in ETV6-related thrombocytopenia with predisposition to malignancies include nonsense, missense, splice site, and frameshift variants. The majority of mutations cluster within the ETS DNA-binding domain and are predicted to be deleterious. The p214L mutation, which resides in the linker region, has been recurrently identified in different families [45, 49].

3.5 Second-hit mutations in ETV6 deficiency

The development of leukemia with variable latency and incomplete penetrance suggests a need for further somatic mutations. Studies did not reveal mutations in the remaining wild-type ETV6 allele in most cases. Such examples are more of an exception. Acquisition of somatic defects in other genes, such as RUNX1, BCOR, and KRAS, is more prominent. The role of additional mutations in malignant transformation remains to be determined [45].

3.6 Molecular structure and role of ETV6

ETV6 is a part of a 26-member family of transcriptional regulators, defined by a highly conserved 85-amino-acid residue that mediates binding of target DNA. Different ETS factors can replace each other in the context of overexpression in vitro but exhibit functional diversity and individual specificity in DNA binding beyond the core motif. ETV6 has the capacity to form polymers with head-to-tail binding of two different protein surfaces within its PNT domain [51].

The primary function of ETV6 is a transcriptional repressor. The PNT domain-mediated multimerization is required for high affinity DNA binding. Truncated ETV6 proteins resulting from frameshift mutations retaining either the PNT domain or the ETS domain were shown to exhibit a dominant-negative activity. This was also demonstrated for the familial germline mutations. This may suggest that the pathogenic activity of ETV6 mutations not only includes loss of function but also interferes with the wild-type allele [40, 52, 53].

ETV6 also plays an important role in embryonic development. Homozygous ETV6 germline disruption results in embryonic lethality in mice studies [54]. ETV6 is required for survival of hematopoietic stem cells in the bone marrow. It also promotes the late phases of megakaryopoiesis. Heterozygous disruption of ETV6 in mice is not associated with obvious phenotypes, implying the dominant-negative effect of germline mutations found in affected families: complete loss of ETV6 is lethal, but development of abnormalities requires more than heterozygous loss [55, 56].

3.7 Clinical management

Treatment of ETV6-related leukemia does not differ from standard protocols. As in FDP-MM, if a disease-causing germline mutation is known in the family, it is necessary to test siblings, as HSCT from a sibling carrier of ETV6 pathogenic variant should be avoided. Family members should be tested, and regular follow-up of mutation carriers including differential blood count is advised. Bone marrow aspiration and/or biopsy with thorough cytogenetic/molecular genetic investigation may be necessary in case of additional cytopenias or other suspicious clinical symptoms [13].

3.8 Conclusion

Discovery of familial ETV6 germline mutations has established its clinical significance as a cause of thrombocytopenia, as well as a major cancer predisposition gene, associated with a substantial number of childhood B-ALL cases as well as myeloid malignancies. However, our understanding of the clinical impact of ETV6 mutations and physiological role of ETV6 remains incomplete. More work is needed to understand the molecular pathology of the mutations and stratify the risk of affected individuals.

4. ANKRD26-related thrombocytopenia

Thrombocytopenia 2 (THC2 MIM 188000) is one of the rarest forms of autosomal-dominant thrombocytopenia. It has so far been reported only in 21 families across the world [57]. The THC2 locus was mapped to chromosome 10p11.1-p12 through linkage analysis in two independent studies [58, 59]. In the original studies, two missense changes in different linked genes were found to be causative of the disease: c.501G > C (p.Glu167Asp) and c.22 C > T (p.his8Tyr). Another study identified pedigrees with six additional ANKRD26 mutations, segregating with thrombocytopenia. All of them were located in a stretch of 19 nucleotides of the 5' UTR that is highly conserved in evolution. These findings associate ANKRD26 5' UTR mutations with thrombocytopenia [60]. Further reports extended the number of known families to 21 [61]. The abovementioned studies also found that the number of hematologic malignancies was higher than expected.

4.1 Diagnostic criteria, platelet features

THC2-affected individuals have a degree of thrombocytopenia ranging from mild to severe and suffer from a mild bleeding diathesis. Major bleeding events are rare. Platelets are normal-sized and morphology does not reveal any defects. Examination of bone marrow shows dysmegakaryocytopoietic phenomena. No other changes in blood count, e.g., anemia and neutropenia, were reported [60].

4.2 Risk of malignancy

A comprehensive study of 118 subjects affected with THC2 identified 10 patients who developed myeloid malignancies: four acute myeloid leukemias (AML), four myelodysplastic syndromes, and two chronic myeloid leukemias (CML). Cumulative incidence of hematological malignancies in this subset of patients is 8.47%. The incidence of lymphoproliferative disorders and nonhematologic cancers was not higher than expected. Available data are compatible with the hypothesis

that ANKRD26-related thrombocytopenia predisposes to myeloid malignancy. However, penetrance for neoplasia is incomplete, and other genetic or environmental factors must contribute to development of these disorders [57].

4.3 Molecular genetics

ANKRD26 is the ancestor of a family of primate-specific genes termed POTE (prostate-ovary-testes- and placenta-expressed genes) whose expression is restricted to several normal to a few normal tissues and a larger number of malignancies, such as breast cancer. ANKRD26 is expressed also in megakaryocytes and to lesser extent erythroid cells [62, 63].

The functional role of ANKRD26 is unknown. Deleterious mutations of aNKRD26 in animal studies do not cause thrombocytopenia. This evidence suggests that THC2 is more likely to be caused by gain-of-function mutations rather than haploinsufficiency. It is suspected that mutations in the 5' UTR interfere with mechanisms controlling the expression of ANKRD26 and affect megakaryopoiesis and platelet production, possibly by induction of apoptosis [60, 64].

4.4 Clinical management

As in the abovementioned entities, screening for ANKRD26 mutations must be a part of diagnostic process in hereditary thrombocytopenia and familial myeloid leukemia. Follow-up of asymptomatic mutation carriers in regular intervals including peripheral blood count and smear is necessary. The presence of ANKRD26 germline mutations in acute leukemia may also play a part in HSCT-related questions.

4.5 Conclusions

ANKRD26 is a rare form of inherited thrombocytopenia with low risk of bleeding and predisposition to myeloid malignancies. Recognition of this disorder is important in differential diagnosis of hereditary thrombocytopenia and proper management of affected subjects.

5. Further candidate genes

There are several genes associated with inherited bone marrow failure syndromes (IBMFS) and thrombocytopenia, notably MPL, THPO, HOXA11, MECOM, and RBM8A, as well as mutations in genes for X-linked thrombocytopenia and immune deficiency (GATA1, WAS) [65]. These clinical entities present with thrombopenia or pancytopenia and, in some cases, dysmorphic features. The IBMFS are complex disorders unified by development of bone marrow failure and increased risk of leukemic transformation. In some IBMFS, the steps toward leukemic transformation are better understood. In others, there is still much to learn. The estimated risk of malignancy in the abovementioned entities requires additional research.

MYH9 mutations result in congenital macrothrombocytopenia and predispose to kidney failure, hearing loss, and cataracts. There are a few published cases of germline mutations of MYH9 with myeloid malignancy [66]. Somatic expression of MYH9 has impact on overall survival in patients with AML [67]. However, additional studies on larger patient populations are needed to confirm this suspicion.

6. Conclusion

In this chapter, we have summarized current knowledge of familial syndromes with thrombocytopenia and predisposition to hematologic malignancies. These rare disorders must be a part of differential diagnosis of (1) unexplained or familial thrombocytopenia, (2) myeloid malignancies with familial occurrence, and (3) bone marrow failure syndromes. Only a correct diagnosis with up-to-date hematological and molecular diagnostics can lead to proper follow-up of affected individuals and families. Personalized risk assessment must be made; and in the case of a familial germline mutation, genetic reproductive consultation should be offered.

Acknowledgements

This text was created with the help of my supervisor, Prof. Michael Doubek, MD, and colleagues from Department of Internal Medicine, Hematology and Oncology, Central European Institute of Technology.

This text was produced with the help of “Pomoc lidem s leukémií” foundation. This work was supported by Czech Ministry of Health (grant AZV 16-29447A) and Masaryk University (grant MUNI/A/1105/2018).

Conflict of interest

The authors declare no conflict of interest.

Author details


Jakub Trizuljak^{1,2*} and Michael Doubek^{1,2}

1 Central European Institute of Technology (CEITEC), Masaryk University, Brno, Czech Republic

2 Department of Internal Medicine—Hematology and Oncology, University Hospital and Masaryk University, Brno, Czech Republic

*Address all correspondence to: trizuljak.jakub@fnbrno.cz

IntechOpen

© 2019 The Author(s). Licensee IntechOpen. This chapter is distributed under the terms of the Creative Commons Attribution License (<http://creativecommons.org/licenses/by/3.0>), which permits unrestricted use, distribution, and reproduction in any medium, provided the original work is properly cited. 

References

- [1] Fanconi G. Familiäre infantile perniziosaartige Anämie (perniziöses Blutbild und Konstitution). *Jahrbuch Kinderheilk.* 1927;**117**:257-280
- [2] Wlodarski MW, Niemeyer CM. Introduction: Genetic syndromes predisposing to myeloid neoplasia. *Seminars in Hematology.* 2017;**54**(2):57-59. DOI: 10.1053/j.seminhematol.2017.05.001
- [3] Pecci A. Diagnosis and treatment of inherited thrombocytopenias. *Clinical Genetics.* 2016;**89**(2):141-153
- [4] Arber DA, Orazi A, Hasserjian R, et al. The 2016 revision to the World Health Organization classification of myeloid neoplasms and acute leukemia. *Blood.* 2016;**127**(20):2391-2405. DOI: 10.1182/blood-2016-03-643544
- [5] Schlegelberger B, Heller PG. *RUNX1* deficiency (familial platelet disorder with predisposition to myeloid leukemia, FPDMM). *Seminars in Hematology.* 2017;**54**(2):75-80. DOI: 10.1053/j.seminhematol.2017.04.006
- [6] Hayashi Y, Harada Y, Huang G, Harada H. Myeloid neoplasms with germ line *RUNX1* mutation. *International Journal of Hematology.* 2017;**106**(2):183-188. DOI: 10.1007/s12185-017-2258-5
- [7] Osato M, Asou N, Abdalla E, Hoshino K, Yamasaki H, Okubo T, et al. Biallelic and heterozygous point mutations in the runt domain of the *AML1/PEBP2alphaB* gene associated with myeloblastic leukemias. *Blood.* 1999;**93**(6):1817-1824
- [8] Song WJ, Sullivan MG, Legare RD, Hutchings S, Tan X, Kufrin D, et al. Haploinsufficiency of *CBFA2* causes familial thrombocytopenia with propensity to develop acute myelogenous leukaemia. *Nature Genetics.* 1999;**23**(2):166-175. DOI: 10.1038/13793
- [9] Churpek JE, Godley LA. How I diagnose and manage individuals at risk for inherited myeloid malignancies. *Blood.* 2016;**128**(14):1800-1813. DOI: 10.1182/blood-2016-05-670240
- [10] Latger-Cannard V, Philippe C, Bouquet A, et al. Haematological spectrum and genotype-phenotype correlations in nine unrelated families with *RUNX1* mutations from the French network on inherited platelet disorders. *Orphanet Journal of Rare Diseases.* 2016;**11**:49. DOI: 10.1186/s13023-016-0432-0
- [11] Braddock SR, South ST, Schiffman JD, Longhurst M, Rowe LR, Carey JC. Braddock-Carey syndrome: A 21q22 contiguous gene syndrome encompassing *RUNX1*. *American Journal of Medical Genetics. Part A.* 2016;**170**(10):2580-2586. DOI: 10.1002/ajmg.a.37870
- [12] Ripperger T, Tauscher M, Thomay K, et al. No evidence for *ITSN1* loss in a patient with mental retardation and complex chromosomal rearrangements of 21q21-21q22. *Leukemia Research* 2013;**37**(6):721-723. DOI: 10.1016/j.leukres.2013.02.013
- [13] Churpek JE, Lorenz R, Nedumgottil S, et al. Proposal for the clinical detection and management of patients and their family members with familial myelodysplastic syndrome/acute leukemia predisposition syndromes. *Leukemia & Lymphoma.* 2013;**54**(1):28-35. DOI: 10.3109/10428194.2012.701738
- [14] Kozubík KS, Radová L, Pešová M, Réblová K, Trizuljak J, Plevová K, et al. C-terminal *RUNX1* mutation in familial platelet disorder with predisposition to myeloid malignancies. *International Journal*

- of Hematology. 2018;**108**(6):652-657. DOI: 10.1007/s12185-018-2514-3. Epub 2018 Aug 6
- [15] Babushok DV, Bessler M. Genetic predisposition syndromes: When should they be considered in the work-up of MDS? Best Practice & Research. Clinical Haematology. 2015;**28**(1):55-68. DOI: 10.1016/j.beha.2014.11.004
- [16] Owen C, Barnett M, Fitzgibbon J. Familial myelodysplasia and acute myeloid leukaemia—A review. British Journal of Haematology. 2008;**140**:123-132. DOI: 10.1111/j.1365-2141.2007.06909.x
- [17] Ripperger T, Tawana K, Kratz C, Schlegelberger B, Fitzgibbon J, Steinemann D. Clinical utility gene card for: Familial platelet disorder with associated myeloid malignancies. European Journal of Human Genetics. 2016;**24**:1232. DOI: 10.1038/ejhg.2015.278
- [18] Preudhomme C, Renneville A, Bourdon V, et al. High frequency of RUNX1 biallelic alteration in acute myeloid leukemia secondary to familial platelet disorder. Blood. 2009;**113**(22):5583-5587. DOI: 10.1182/blood-2008-07-168260
- [19] Noris P, Biino G, Pecci A, et al. Platelet diameters in inherited thrombocytopenias: Analysis of 376 patients with all known disorders. Blood. 2014;**124**(6):e4-e10. DOI: 10.1182/blood-2014-03-564328
- [20] Bluteau D, Glembotsky AC, Raimbault A, et al. Dysmegakaryopoiesis of FPD/AML pedigrees with constitutional RUNX1 mutations is linked to myosin II deregulated expression. Blood. 2012;**120**(13):2708-2718. DOI: 10.1182/blood-2012-04-422337
- [21] Glembotsky AC, Bluteau D, Espasandin YR, et al. Mechanisms underlying platelet function defect in a pedigree with familial platelet disorder with a predisposition to acute myelogenous leukemia: Potential role for candidate RUNX1 targets. Journal of Thrombosis and Haemostasis. 2014;**12**(5):761-772. DOI: 10.1111/jth.12550
- [22] Heller PG, Glembotsky AC, Gandhi MJ, et al. Low Mpl receptor expression in a pedigree with familial platelet disorder with predisposition to acute myelogenous leukemia and a novel AML1 mutation. Blood. 2005;**105**(12):4664-4670. DOI: 10.1182/blood-2005-01-0050
- [23] Kaur G, Jalagadugula G, Mao G, Rao AK. RUNX1/core binding factor A2 Regulates platelet 12-lipoxygenase gene (ALOX12): Studies in human RUNX1 haplodeficiency. Blood. 2010;**115**:3128-3135. DOI: 10.1182/blood-2009-04-214601
- [24] Antony-Debre I, Bluteau D, Itzykson R, et al. MYH10 protein expression in platelets as a biomarker of RUNX1 and FLI1 alterations. Blood. 2012;**120**(13):2719-2722. DOI: 10.1182/blood-2012-04-422352
- [25] Ng KP, Hu Z, Ebrahim Q, Negrotto S, Lausen J, Sauntharajah Y. Runx1 deficiency permits granulocyte lineage commitment but impairs subsequent maturation. Oncogene. 2013;**2**:e78. DOI: 10.1038/oncsis.2013.41
- [26] Satoh Y, Matsumura I, Tanaka H, et al. C-terminal mutation of RUNX1 attenuates the DNA-damage repair response in hematopoietic stem cells. Leukemia. 2012;**26**(2):303-311. DOI: 10.1038/leu.2011.202
- [27] Kirito K, Mitsumori T, Nagashima T, et al. A novel inherited single-nucleotide mutation in 5'-UTR in the transcription factor RUNX1 in familial platelet disorder with propensity to develop myeloid malignancies. Blood 2006;**108**:1917. <http://www.bloodjournal.org/content/108/11/1917>

- [28] Antony-Debre I, Manchev VT, Balayn N, et al. Level of RUNX1 activity is critical for leukemic predisposition but not for thrombocytopenia. *Blood*. 2015;**125**(6):930-940. DOI: 10.1182/blood-2014-06-585513
- [29] Ripperger T, Tauscher M, Ehlert L, et al. Childhood onset of leukaemia in familial platelet disorder with propensity for myeloid malignancies due to an intragenic RUNX1 deletion. *Haematologica*. 2012;**97**:s3-S14
- [30] Churpek JE, Pyrtel K, Kanchi KL, et al. Genomic analysis of germline and somatic variants in familial myelodysplasia/acute myeloid leukemia. *Blood*. 2015;**126**:2484-2490. DOI: 10.1182/blood-2015-04-641100
- [31] Sakurai M, Kasahara H, Yoshida K, et al. Genetic basis of myeloid transformation in familial platelet disorder/acute myeloid leukemia patients with haploinsufficient RUNX1 allele. *Blood Cancer Journal*. 2016;**6**:e392. DOI: 10.1002/gcc.21918
- [32] Haferlach C, Bacher U, Schnittger S, et al. ETV6 rearrangements are recurrent in myeloid malignancies and are frequently associated with other genetic events. *Genes, Chromosomes & Cancer*. 2012;**51**:328-337. DOI: 10.1002/gcc.21918
- [33] Yoshimi A, Toyama T, et al. Recurrent CDC25C mutations drive malignant transformation in FPD/AML. *Nature Communications*. 2014;**5**:4770. DOI: 10.1038/ncomms5770
- [34] Haslam K, Langabeer SE, Hayat A, Conneally E, Vandenberghe E. Targeted next-generation sequencing of familial platelet disorder with predisposition to acute myeloid leukaemia. *British Journal of Haematology*. 2016;**175**:161-163. DOI: 10.1111/bjh.13838
- [35] Golub TR, Barker GF, Lovett M, Gilliland DG. Fusion of PDGF receptor beta to a novel ets-like gene, tel, in chronic myelomonocytic leukemia with t(5;12) chromosomal translocation. *Cell*. 1994;**77**(2):307-316
- [36] de Braekeleer E, Auffret R, Garcia JR, Padilla JM, Fletes CC, Morel F, et al. Identification of NIPBL, a new ETV6 partner gene in t(5;12) (p13;p13)-associated acute megakaryoblastic leukemia. *Leukemia & Lymphoma*. 2013;**54**(2):423-424. DOI: 10.3109/10428194.2012.706288
- [37] Hollenhorst PC, McIntosh LP, Graves BJ. Genomic and biochemical insights into the specificity of ETS transcription factors. *Annual Review of Biochemistry*. 2011;**80**:437-471. DOI: 10.1146/annurev.biochem.79.081507.103945
- [38] De Braekeleer E, Douet-Guilbert N, Morel F, Le Bris MJ, Basinko A, De Braekeleer M. ETV6 fusion genes in hematological malignancies: A review. *Leukemia Research*. 2012;**36**(8):945-961. DOI: 10.1016/j.leukres.2012.04.010
- [39] Papaemmanuil E, Rapado I, Li Y, et al. RAG-mediated recombination is the predominant driver of oncogenic rearrangement in ETV6-RUNX1 acute lymphoblastic leukemia. *Nature Genetics*. 2014;**46**(2):116-125. DOI: 10.1038/ng.2874
- [40] van Doorn SB, Spensberger D, de Knecht Y, Tang M, Spensberger D, et al. Somatic heterozygous mutations in ETV6 (TEL) and frequent absence of ETV6 protein in acute myeloid leukemia. *Oncogene*. 2005;**24**(25):4129-4137. DOI: 10.1038/sj.onc.1208588
- [41] Van Vlierberghe P, Ambesi-Impiombato A, Perez-Garcia A, et al. ETV6 mutations in early immature human T cell leukemias. *The Journal of Experimental Medicine*. 2011;**208**(13):2571-2579. DOI: 10.1084/jem.20112239

- [42] Zhang J, Ding L, Holmfeldt L, et al. The genetic basis of early T-cell precursor acute lymphoblastic leukaemia. *Nature*. 2012;**481**(7380): 157-163. DOI: 10.1038/nature10725
- [43] Zhang J, Mullighan CG, Harvey RC, et al. Key pathways are frequently mutated in high-risk childhood acute lymphoblastic leukemia: A report from the children's oncology group. *Blood*. 2011;**118**(11):3080-3087. DOI: 10.1182/blood-2011-03-341412
- [44] Lohr JG, Stojanov P, Lawrence MS, et al. Discovery and prioritization of somatic mutations in diffuse large B-cell lymphoma (DLBCL) by whole-exome sequencing. *Proceedings of the National Academy of Sciences of the United States of America*. 2012;**109**(10): 3879-3884. DOI: 10.1073/pnas.1121343109
- [45] Zhang MY, Churpek JE, Keel SB, et al. Germline ETV6 mutations in familial thrombocytopenia and hematologic malignancy. *Nature Genetics*. 2015;**47**(2). DOI: 10.1038/ng.3177
- [46] Noetzli L, Lo RW, Lee-Sherick AB, et al. Germline mutations in ETV6 are associated with thrombocytopenia, red cell macrocytosis and predisposition to lymphoblastic leukemia. *Nature Genetics*. 2015;**47**(5):535-538. DOI: 10.1038/ng.3253
- [47] Melazzini F, Palombo F, Balduini A, Doubek M, et al. Clinical and pathogenic features of ETV6-related thrombocytopenia with predisposition to acute lymphoblastic leukemia. *Haematologica*. 2016;**101**(11):1333-1342. DOI: 10.3324/haematol.2016.147496
- [48] Poggi M, Canault M, Favier M, et al. Germline variants in ETV6 underlie reduced platelet formation, platelet dysfunction and increased levels of circulating CD34+ progenitors. *Haematologica*. 2017;**102**(2):282-294. DOI: 10.3324/haematol.2016.147694
- [49] Moriyama T, Metzger ML, Wu G, et al. Germline genetic variation in ETV6 and risk of childhood acute lymphoblastic leukaemia: A systematic genetic study. *The Lancet Oncology*. 2015;**16**(16):1659-1666. DOI: 10.1016/S1470-2045(15)00369-1
- [50] Topka S, Vijai J, Walsh MF, et al. Germline ETV6 mutations confer susceptibility to acute lymphoblastic leukemia and thrombocytopenia. *PLoS Genetics*. 2015;**11**(6):e1005262. DOI: 10.1371/journal.pgen.1005262
- [51] Wasylyk C, Maira SM, Sobieszczuk P, Wasylyk B. Reversion of Ras transformed cells by ETS transdominant mutants. *Oncogene*. 1994;**9**(12):3665-3673
- [52] Fenrick R, Wang L, Nip J, et al. TEL, a putative tumor suppressor, modulates cell growth and cell morphology of ras-transformed cells while repressing the transcription of stromelysin-1. *Molecular and Cellular Biology*. 2000;**20**(16):5828-5839
- [53] Park H, Seo Y, Kim JI, Kim WJ, Choe SY. Identification of the nuclear localization motif in the ETV6 (TEL) protein. *Cancer Genetics and Cytogenetics*. 2006;**167**(2):117-121. DOI: 10.1016/j.cancergencyto.2006.01.006
- [54] Wang LC, Kuo F, Fujiwara Y, Gilliland DG, Golub TR, Orkin SH. Yolk sac angiogenic defect and intra-embryonic apoptosis in mice lacking the Ets-related factor TEL. *The EMBO Journal*. 1997;**16**(14):4374-4383. DOI: 10.1093/emboj/16.14.4374
- [55] Hock H, Meade E, Medeiros S, et al. Tel/Etv6 is an essential and selective regulator of adult hematopoietic stem cell survival. *Genes & Development*. 2004;**18**(19):2336-2341. DOI: 10.1101/gad.1239604
- [56] Wang LC, Swat W, Fujiwara Y, et al. The TEL/ETV6 gene is required

specifically for hematopoiesis in the bone marrow. *Genes & Development*. 1998;**12**(15):2392-2402. DOI: 10.1101/gad.12.15.2392

[57] Noris P, Favier R, Alessi MC, Geddis AE, Kunishima S, Heller PG, et al. ANKRD26-related thrombocytopenia and myeloid malignancies. *Blood*. 2013;**122**(11):1987-1989. DOI: 10.1182/blood-2013-04-499319

[58] Savoia A, Del Vecchio M, Totaro A, Perrotta S, Amendola G, Moretti A, et al. An autosomal dominant thrombocytopenia gene maps to chromosomal region 10p. *American Journal of Human Genetics*. 1999;**65**:1401-1405. DOI: 10.1086/302637

[59] Drachman JG, Jarvik GP, Mehaffey MG. Autosomal dominant thrombocytopenia: Incomplete megakaryocyte differentiation and linkage to human chromosome 10. *Blood*. 2000;**96**:118-125

[60] Pippucci T, Savoia A, Perrotta S, et al. Mutations in the 5' UTR of ANKRD26, the ankirin repeat domain 26 gene, cause an autosomal-dominant form of inherited thrombocytopenia, THC2. *American Journal of Human Genetics*. 2011;**88**(1):115-120. DOI: 10.1016/j.ajhg.2010.12.006

[61] Noris P, Perrotta S, Seri M, et al. Mutations in ANKRD26 are responsible for a frequent form of inherited thrombocytopenia: Analysis of 78 patients from 21 families. *Blood*. 2011;**117**(24):6673-6680. DOI: 10.1182/blood-2011-02-336537

[62] Hahn Y, Bera TK, Pastan IH, Lee B. Duplication and extensive remodeling shaped POTE family genes encoding proteins containing ankyrin repeat and coiled coil domains. *Gene*. 2006;**366**:238-245. DOI: 10.1016/j.gene.2005.07.045

[63] Macaulay IC, Tijssen MR, Thijssen-Timmer DC, Gusnanto A, Steward M, Burns P, et al. Comparative gene expression profiling of in vitro differentiated megakaryocytes and erythroblasts identifies novel activatory and inhibitory platelet membrane proteins. *Blood*. 2007;**109**:3260-3269. DOI: 10.1182/blood-2006-07-036269

[64] Bera TK, Liu XF, Yamada M, Gavrilova O, Mezey E, Tessarollo L, et al. A model for obesity and gigantism due to disruption of the Ankrd26 gene. *Proceedings of the National Academy of Sciences*. 2008;**105**:270-275. DOI: 10.1073/pnas.0710978105

[65] Bluteau O et al. A landscape of germ line mutations in a cohort of inherited bone marrow failure patients. *Blood*; Feb 15 2018;**131**(7):717-732. DOI: 10.1182/blood-2017-09-806489

[66] Rheingold SR. Acute myeloid leukemia in a child with hereditary thrombocytopenia. *Pediatric Blood & Cancer*. 2007;**48**(1):105-107. DOI: 10.1002/pbc.20677

[67] Yu M, Wang J, Zhu Z, et al. Prognostic impact of MYH9 expression on patients with acute myeloid leukemia. *Oncotarget*. 2016;**8**(1):156-163. DOI: 10.18632/oncotarget.10613