

We are IntechOpen, the world's leading publisher of Open Access books Built by scientists, for scientists

4,800

Open access books available

122,000

International authors and editors

135M

Downloads

Our authors are among the

154

Countries delivered to

TOP 1%

most cited scientists

12.2%

Contributors from top 500 universities



WEB OF SCIENCE™

Selection of our books indexed in the Book Citation Index
in Web of Science™ Core Collection (BKCI)

Interested in publishing with us?
Contact book.department@intechopen.com

Numbers displayed above are based on latest data collected.

For more information visit www.intechopen.com



Modelling and Simulation of Natural Gas Liquefaction Process

Alessandro Trigilio, Alexis Bouza and Sabrina Di Scipio
*Thermodynamics and Transport Phenomena Department, Simón Bolívar University
Venezuela*

1. Introduction

The global energy demand is increasing and the natural gas (NG) has obtained relevance as a clean fuel. At distances greater than 4000 km from the source of production, the most profitable way of transportation for the NG is as liquefied natural gas (LNG). Between years 2000-2010 the natural gas consumption increased 31.4% and LNG represents 30.5% of the global NG trade in 2010 (British Petroleum, 2011). With a world market in full development and a global perspective with a strong trend towards globalization and free trade, it is evident the importance of gas liquefaction processes.

LNG is obtained when the NG is cooled until its bubble point (or even below) at atmospheric pressure, which corresponds to -161°C . At this point, its density is 55% lower than the water and its volume is reduced 600 times. The volume reduction favours not only the transport (using LNG carriers) but also the storage in tanks (Institute for Energy, Law & Enterprise - University of Houston, 2003).

The number of installed plants for the NG liquefaction had a significant increase since 1960 (Haselden, 1977), as well as the operational improvements. The current installed plants are capable of processing more than 4 MTPA of NG.

In general, refrigeration cycles used to liquefy natural gas can be split into two main processes: 1) those that use pure refrigerants and 2) those that use mixtures of them. Each technology has its own properties and they have been consolidated as international patents, which seek to optimize energy consumption, capital investment and the physical space occupied by the required equipment.

Previous studies related with LNG processes using mixed refrigerant (MR) have been published. Del Nogal et al. (2005) optimized the mixed refrigerant composition focused on minimizing the power in the compression stages, but the complete model was not shown. Jensen & Skogestad (2006) proposed a control strategy for the process, based on a certain control and instrumentation philosophy, without reporting the process model. Jensen and Skogestad as well as Lee et al. (2002) optimized the refrigerant composition with the aim of minimizing the temperature gap between the natural gas and the mixed refrigerant in the cycle evaporator. Aspelund et al. (2010) optimized the refrigerant composition in three different ways: 1) using a fixed minimum internal temperature approach, 2) using a fixed exchanger area and 3) minimizing the cost for exchanger area, but again not model details were shown.

On the other hand, Haselden (1977) shown optimum operating conditions for cycles in cascade with three pure refrigerants, based on the operational experience of installed LNG plants. It is evident that there are very few attempts to model the processes for liquefying natural gas. Moreover, none of the above works show in detail a complete set of operating conditions for these systems.

Consequently, the purpose of this work is to model and simulate the natural gas liquefaction process in stationary state, using cycles with MR and cascade cycles with pure refrigerants. The specific objectives are:

- Calculate energetic properties and phase equilibria using the Peng-Robinson equation of state.
- Simulate the NG liquefaction process using mixed or pure refrigerants (considering traditional and optimized cascades), by developing Matlab® routines. The technical feasibility of operating conditions will be evaluated
- Based on the developed models, a sensitivity analysis of the variables involved will be made in order to determine its impact on operating conditions.

2. Refrigeration cycles

A refrigeration cycle uses changes in pressure and temperature on a mixed or pure compound (named refrigerant) in order to transfer heat from a cold zone (or fluid) to a hot zone (or fluid). In Fig. 1 is shown a simple throttle valve cycle, consisting in two heat exchangers, a throttle valve and a compressor.

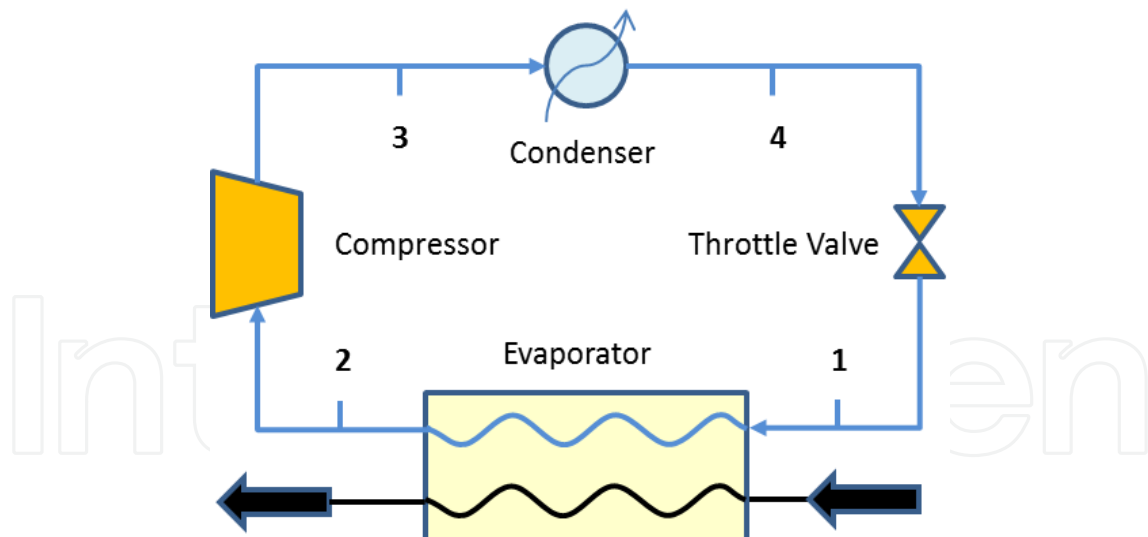


Fig. 1. Simple refrigeration cycle using a throttle valve.

The refrigerant is in a vapour-liquid equilibrium (stream 1) when enters the evaporator and exchanges heat with the hot source, until reaching saturation or even becoming overheated vapour (stream 2). Then, enters the compressor and suffers a pressure and temperature rise. The refrigerant in stream 3 exchanges heat with a cold source in the condenser, becoming liquid and entering to the throttle valve (stream 4), where it expands and its temperature falls to a minimum, starting the cycle again.

If the throttle valve is considered adiabatic, the First Law of Thermodynamics reveals that the expansion is isenthalpic. Moreover, if the compressor is adiabatic and the compression is reversible, then it is isentropic (Çengel & Boles, 2006). The existence of internal friction and the heat leaks to the surroundings result in a deviation from the isentropic behaviour, therefore is required the use of a polytropic efficiency (N_p).

2.1 Polytropic work in the compressor

The polytropic work (W_{poly}) in the compressor is used in order to determine the polytropic efficiency (N_p) of the gas compression process, as shown in Eqs. (1) - (4) (Walas, 1990).

$$W_{poly} = \frac{k}{k-1} \cdot z \cdot R \cdot T \cdot \left[\left(\frac{P_2}{P_1} \right)^{\frac{n-1}{n}} - 1 \right] \quad (1)$$

$$n = \frac{k \cdot N_p}{1 - k \cdot (1 - N_p)} \quad (2)$$

$$k = \frac{C_p}{C_v} \quad (3)$$

$$C_v = C_p + R \quad (4)$$

where C_p is the heat capacity at constant pressure, R is the universal gas constant, z is the gas compressibility factor, P_1/P_2 is the pressure ratio and T is the inlet temperature.

2.2 Coefficient of performance

The Coefficient of Performance (COP) for a refrigeration cycle relates the amount of heat taken from the hot source (Q_{evap}) and the total work used (W_{comp}), as shown in Eq. (5) (Çengel & Boles, 2006).

$$COP = \frac{Q_{evap}}{W_{comp}} \quad (5)$$

A First Thermodynamic Law balance in the refrigerant relates the heats (including the condenser heat, Q_{cond}) and work in any refrigeration cycle, as seen in Eq. (6).

$$Q_{evap} = Q_{cond} - W_{comp} \quad (6)$$

Substitution of Eq. (6) in Eq. (5) gives Eq. (7), which is an alternative form for the COP .

$$COP = \frac{Q_{cond}}{W_{comp}} - 1 \quad (7)$$

In order to improve the performance of the cycle, it's important to maximize the COP. In that way it is removed as much heat as possible from the hot source, using the minimum work. It is important to note that, according to Eq. (7), the greater the COP greater the heat retired in the condenser for cooling the refrigerant, then more amount of utility stream is needed.

2.3 Refrigeration cycles in cascade

When there is a great gap between the temperature of the hot and cold zones (or fluids) and it is not possible to use only one refrigerant, the cascade cycles are used (Smith, 2005). This configuration uses more than one individual cycles with a common heat exchanger between cycles. The condenser of a cold cycle is the evaporator of the following hotter cycle, as shown in Fig. 2.

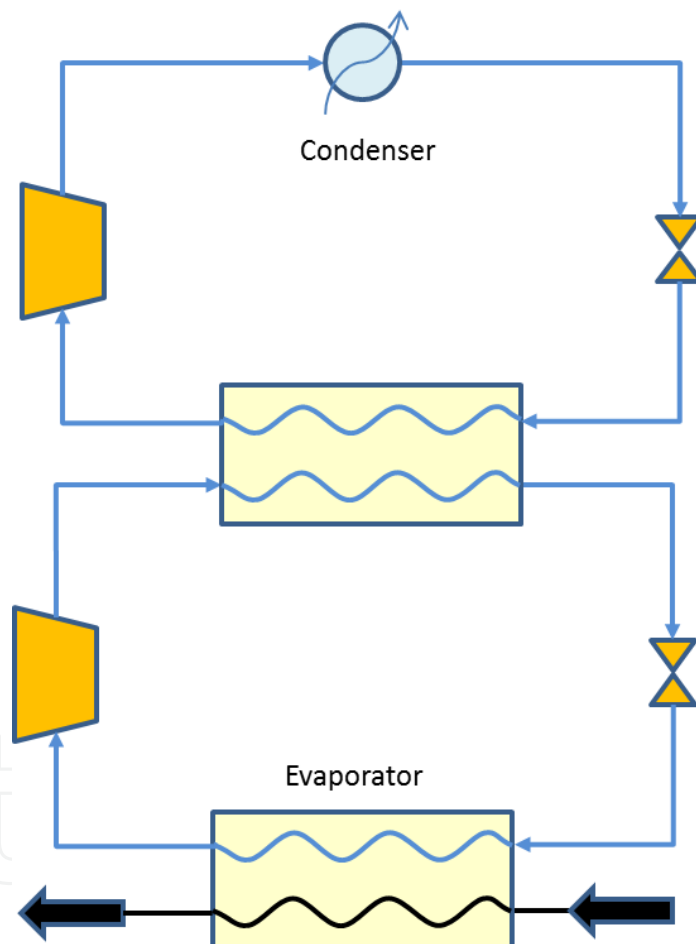


Fig. 2. Refrigeration cycle using a double cascade.

The advantages of using cascade cycles are: better distribution on the refrigerant load, decrease of the required work, and increase of the heat transferred in the non-common evaporator. Hence, the COP increases when this configuration is used.

These cycles are particularly useful in the liquefaction of natural gas because it is possible to cool it and achieve the desired temperatures using water as the external fluid (utility stream) in the condenser. Therefore, it is important to choose the right refrigerant for each cascade.

2.4 Refrigerant selection

In order to guarantee a minimum area in the heat exchangers, the refrigerant used usually is a pure compound, so the phase changes described previously occurs at a constant temperature and the drive force is maintained constant. In Fig. 3 is plotted the saturation curve for the liquid-vapor equilibria for some refrigerant commonly used in the liquefaction of natural gas (obtained from Lemon et al., 2005).

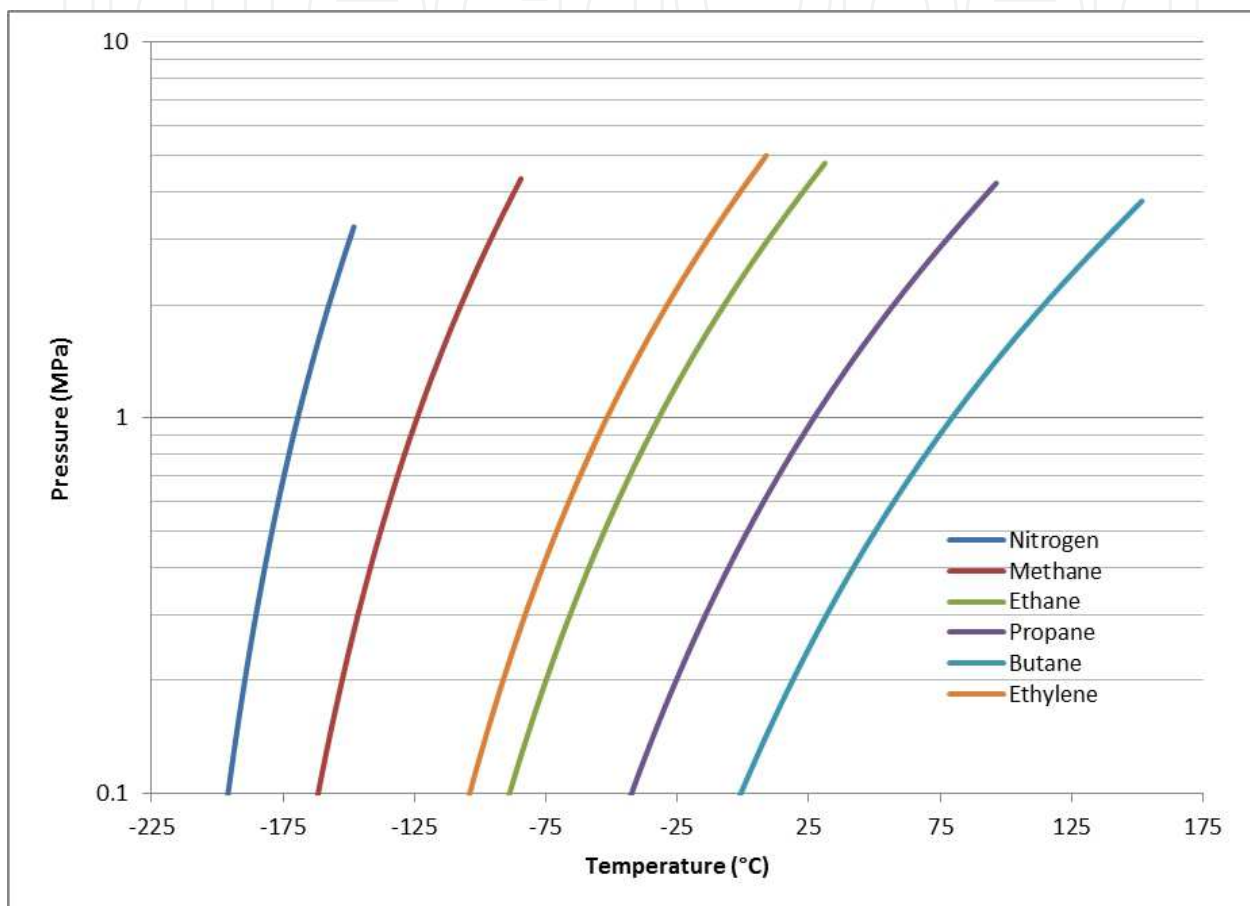


Fig. 3. Vapor pressure curves for refrigerants commonly used to produce LNG.

It should be noted that if the natural gas is between 50°C and -160 °C, these refrigerants can be used depending on the specifications of the process. For example, below 1 MPa and in the range of -125 °C to -160 °C, only methane can be used.

The natural gas is a mixture, mainly composed of methane and small quantities of ethane, propane and others, so the NG phase change occurs at non constant temperature. Despite the driving force, in the liquefaction cycles it is preferred to have a refrigerant cooling curve similar to the NG cooling curve (Smith, 2005). This reduces the energy consumption due to exergy considerations (Haselden, 1977). This can be achieved in two ways. The first is using more than one consecutive refrigeration cycle operating at different pressure levels, obtaining a discrete refrigerant temperature profile (as illustrated in Fig. 4). If more cycles

are used, the whole process is more efficient, but implies larger amount of equipment required, and therefore a more complex system. The alternative way is to use a mixed refrigerant with a cooling curve as near as possible to the natural gas cooling curve, avoiding temperature cross between the two fluids.

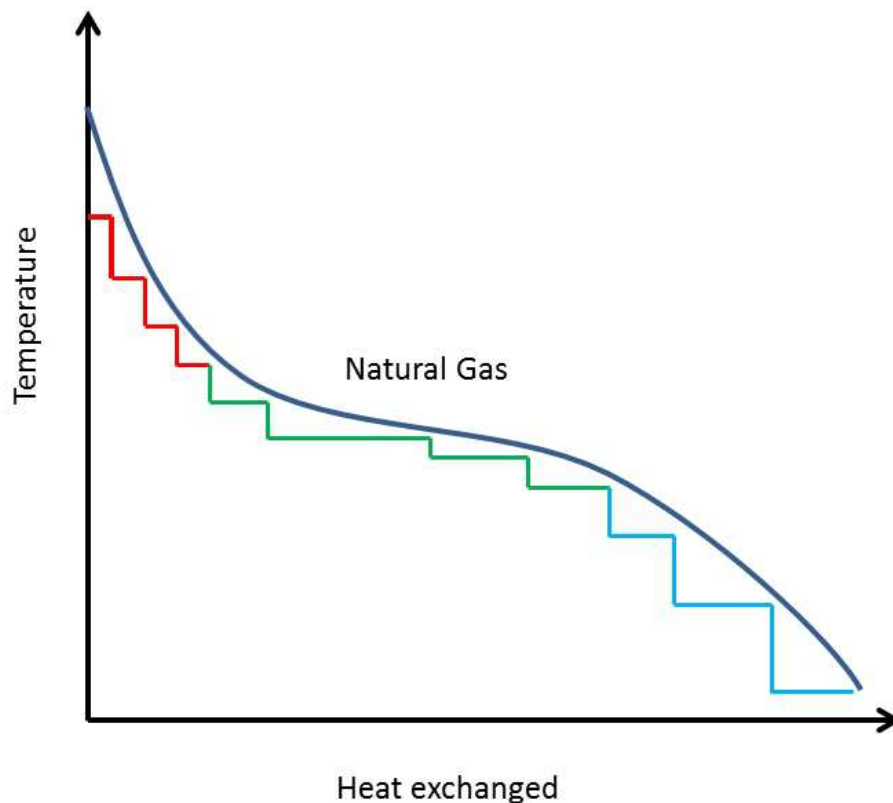


Fig. 4. Discrete refrigerant temperature profile using more than one cycle.

2.5 Natural gas liquefaction technologies

The most common technologies used for the natural gas liquefaction can be divided in two main groups according to the refrigerant used: those with pure refrigerant and those with mixed refrigerant. In this work two of the most used configurations have been selected (one of each group) for the modelling and simulation task.

2.5.1 Pure refrigerant cascade

Unlike the cycles explained in section 2.2, the cascade cycles used for the natural gas liquefaction usually have more than two cascade, and more than one common heat exchanger between them (as illustrated in Fig. 5). The main idea is to use the internal cycles to cool not only the natural gas, but also the refrigerants in the external cascade. Using cascades makes possible to work in a wide temperature range, so it can be employed cooling water as an external fluid in the evaporator. Also, the cascades improve the COP because of the temperature profile approach between the different refrigerants used and the natural gas, as seen in Fig. 4.

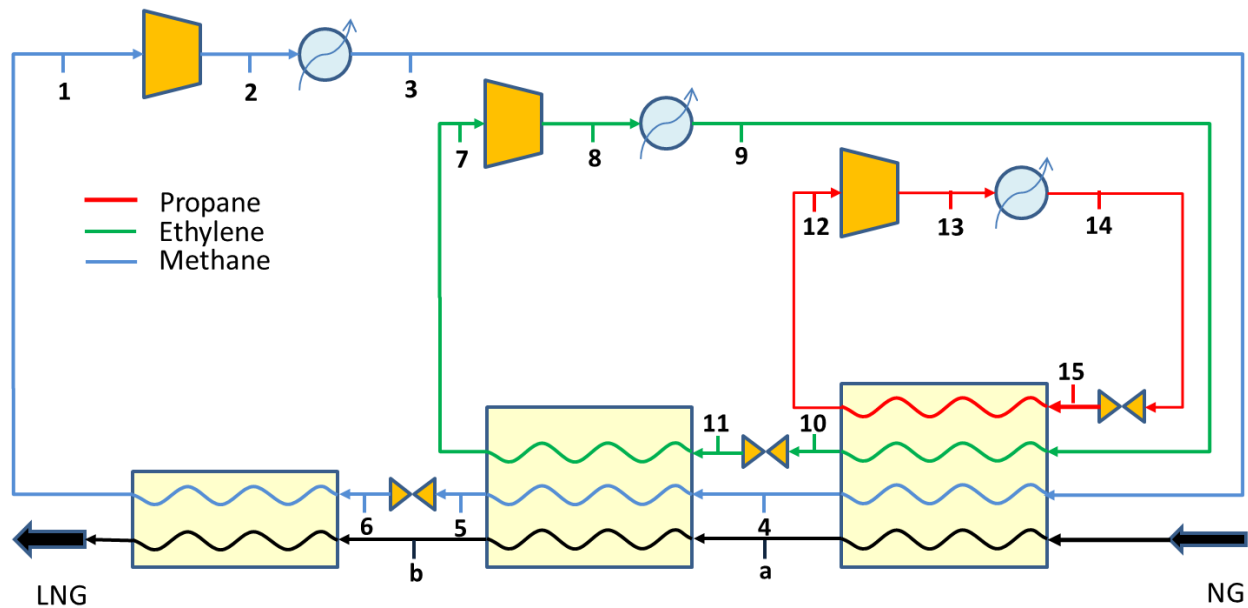


Fig. 5. Triple cascade liquefaction cycle with pure refrigerant.

2.5.2 Simple cycle with mixed refrigerant

As explained in section 2.4, the aim of using mixed refrigerants (MR) is for minimizing the approach between the cooling curves in the evaporator. One of the advantages of this cycles is the less amount of equipment required and, depending on the plant load, it is possible to use a single compressor if the power required is no more than 70 MW (Price & Mortko, 1996).

The cycle configuration is shown in Fig. 6. It is important to note the use of a double pass on the evaporator. According to Price & Mortko (1996), its purpose is to have best control over the

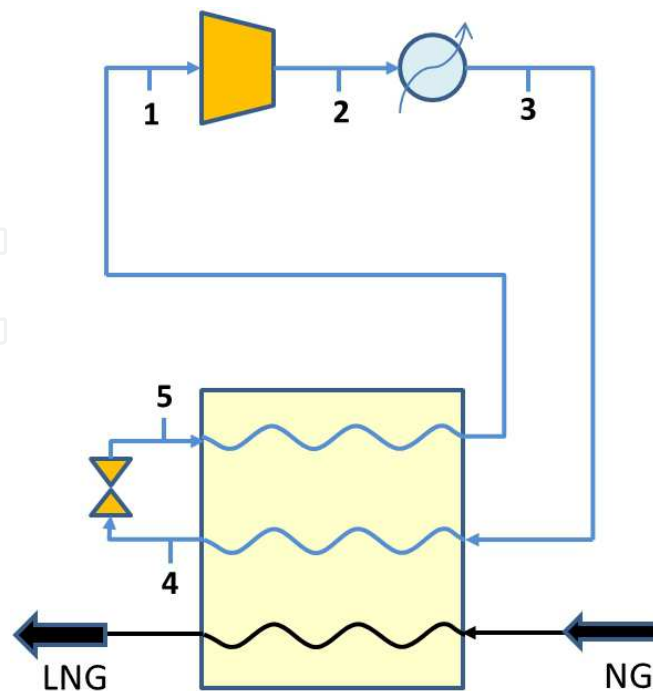


Fig. 6. Simple liquefaction cycle with mixed refrigerant.

temperature profile due to the possibility of using intermediate separators for the formed vapor, so the mixture composition can be regulated without interrupting the plant operation.

3. Modelling the liquefaction cycles

In order to model the stages described in Section 2, is necessary to use a thermodynamic model for the liquid-vapour equilibria and the energy properties, required for the work and heat calculations.

The Peng & Robinson (1976) equation of state was used. The vapour (y_i) and liquid (x_i) composition of each component (i) in phase equilibria can be related by Eq. (8). The thermodynamic model is used for the fugacity calculation in each phase ($\hat{\phi}_i^l, \hat{\phi}_i^v$), expressed in Eqs. (9) - (19). When performing iterative calculations, each side of the Eq. (8) should be satisfied.

$$k_i = \frac{y_i}{x_i} = \frac{\hat{\phi}_i^v}{\hat{\phi}_i^l} \quad (8)$$

$$\ln \hat{\phi}_i = \frac{b}{b_i} \cdot (Z-1) - \ln(Z-B) - \frac{A}{2 \cdot \sqrt{2}} \cdot \left(\frac{2 \cdot \sum_j x_j \cdot a_{ij}}{a} - \frac{b_i}{b} \right) \cdot \ln \left[\frac{Z + (1 + \sqrt{2}) \cdot B}{Z - (1 - \sqrt{2}) \cdot B} \right] \quad (9)$$

$$Z^3 - (1-B) \cdot Z^2 + (A - 3 \cdot B^2 - 2 \cdot B) \cdot Z - (A \cdot B - B^2 - B^3) = 0 \quad (10)$$

$$A = \frac{a \cdot P}{R^2 \cdot T^2} \quad (11)$$

$$B = \frac{b \cdot P}{R \cdot T} \quad (12)$$

$$a = \sum_i \sum_j x_i \cdot x_j \cdot a_{ij} \quad (13)$$

$$a_{ij} = (1 - \delta_{ij}) \cdot a_i^{1/2} \cdot a_j^{1/2} \quad (14)$$

$$a_i = 0.45724 \cdot \alpha_i \cdot \frac{R^2 \cdot T_{c_i}^2}{P_{c_i}} \quad (15)$$

$$\alpha_i^{1/2} = 1 + m_i \cdot \left[1 - \left(\frac{T}{T_{c_i}} \right)^{1/2} \right] \quad (16)$$

$$m_i = 0.37464 + 1.54226 \cdot \omega_i - 0.26992 \cdot \omega_i^2 \quad (17)$$

$$b = \sum_i x_i \cdot b_i \quad (18)$$

$$b_i = 0.07780 \cdot \frac{R \cdot T_{c_i}}{P_{c_i}} \quad (19)$$

where T_{c_i} and P_{c_i} are the critical temperature and pressure of the component i , and ω_i is its acentric factor (Green & Perry, 2008).

If there are only hydrocarbons in the mixture, the binary interaction parameter (δ_{ij}) is zero. On the other hand, if nitrogen is present Nikos (1986) deduced temperature and pressure dependent correlations for this parameter (Eqs. (20) - (24)).

$$\delta_{ij}' = \eta_2 \cdot \left(\frac{T}{T_{c_j}} \right)^2 + \eta_1 \cdot \frac{T}{T_{c_j}} + \eta_0 \quad (20)$$

$$\eta_0 = 0.1751787 - 0.7043 \cdot \log \omega_j - 0.862066 \cdot (\log \omega_j)^2 \quad (21)$$

$$\eta_1 = -0.54474 + 1.328 \cdot \log \omega_j + 2.035767 \cdot (\log \omega_j)^2 \quad (22)$$

$$\eta_2 = 2.257079 + 7.869765 \cdot \log \omega_j + 13.50466 \cdot (\log \omega_j)^2 + 8.3864 \cdot (\log \omega_j)^3 \quad (23)$$

$$\delta_{ij} = \delta_{ij}' \cdot (1.04 - 4.2 \cdot 10^{-5} \cdot P) \quad (24)$$

In order to determine the heats and works is necessary to calculate the enthalpy for each stream of the cycle. This can be done using Eq (25) taking as a reference state 0 J/mol when the temperature is 0 °C as an ideal gas. The residual enthalpy (h^{res}) for the Peng-Robinson equation of state is calculated using Eqs. (26) and (27).

$$h = h^{ref} + \sum_i x_i \cdot \int_{273.15 \text{ K}}^T C_p^{ig} \cdot dT - h^{res} \quad (25)$$

$$\frac{h^{res}}{R \cdot T} = (1 - Z) + \frac{a + D}{2 \cdot \sqrt{2} \cdot R \cdot T \cdot b} \cdot \ln \left[\frac{Z + (1 + \sqrt{2}) \cdot B}{Z + (1 - \sqrt{2}) \cdot B} \right] \quad (26)$$

$$D = \sum_i \sum_j y_i \cdot y_j \cdot \kappa_j \cdot (1 - \delta_{ij}) \cdot \sqrt{a_i} \cdot \sqrt{\frac{a_j}{\alpha_j} \cdot \frac{T}{T_{c_j}}} \quad (27)$$

The heat capacity at constant pressure (C_p^{ig}) is calculated using Eq. (28), and the coefficients where taken from Green & Perry (2008).

$$C_p^{ig} = C_1 + C_2 \cdot \left[\frac{C_3/T}{\sinh(C_3/T)} \right]^2 + C_4 \cdot \left[\frac{C_5/T}{\cosh(C_5/T)} \right]^2 \quad (28)$$

The liquefaction cycles were simulated using Matlab®. The conditions used for all the cycles were:

- The amount natural gas processed was 4 MTPA, equivalent to 26220 kmol/h.
- The throttle valve and the compressors were considered adiabatic.
- The pressure drops in the heat exchanger was set to 20 kPa on the cold side and 50 kPa on the hot side.
- The utility stream in the condensers was cooling water, so its temperature is 12 °C.
- The outlet temperature for the LNG from the evaporators is set to -153 °C (below its bubble point).
- It should be verified that the temperature at the compressor entrance is above the dew point.
- At the exit of common evaporators, all the streams have the same temperature (valid for streams a and b in Fig. 5 to 8).
- The LNG goes through a throttle valve after the evaporators, and its final outlet pressure is 180 kPa, as a liquid-vapor mixture with a vaporized fraction less than 1%.
- The initial conditions for the natural gas and its composition are shown in Table 1.

| | |
|---------------------------|-------|
| Methane (% mol) | 0.924 |
| Ethane (% mol) | 0.056 |
| Propane (% mol) | 0.019 |
| n-Butane (% mol) | 0.001 |
| GN Inlet Temperature (°C) | 15 |
| GN Inlet Pressure (kPa) | 6000 |

Table 1. NG composition and inlet conditions.

3.1 Modelling of the cascade cycles

In order to verify the advantages of using cascade cycles, three cases were simulated. In general, the refrigerant must be selected to satisfy that the enthalpy at the condenser outlet (at the highest pressure and with the chosen utility) is such that the valve outlet temperature is cooler than the temperature desired for the natural gas.

In Fig. 7 is illustrated a simple cycle using methane in traditional cascade. According to the Figure 3, the methane cannot be used with an utility stream at 12 °C. In order to use this refrigerant two traditional cascades were added.

The second configuration is illustrated in Fig. 8. It is an intermediate between the one shown in Fig. 5 and Fig. 7. The principle is the same explained in Section 2.5.1, the internal refrigerants has to cool the natural gas and also the refrigerants in the external cycle. The third case is the complete cascade as in the Fig. 5.

In Table 2 initial operating conditions for the cascade cycles are shown. The number of variables specified were obtained after a degree of freedom analysis. The temperatures were set to guarantee the cooling of the NG according to the pressure levels.

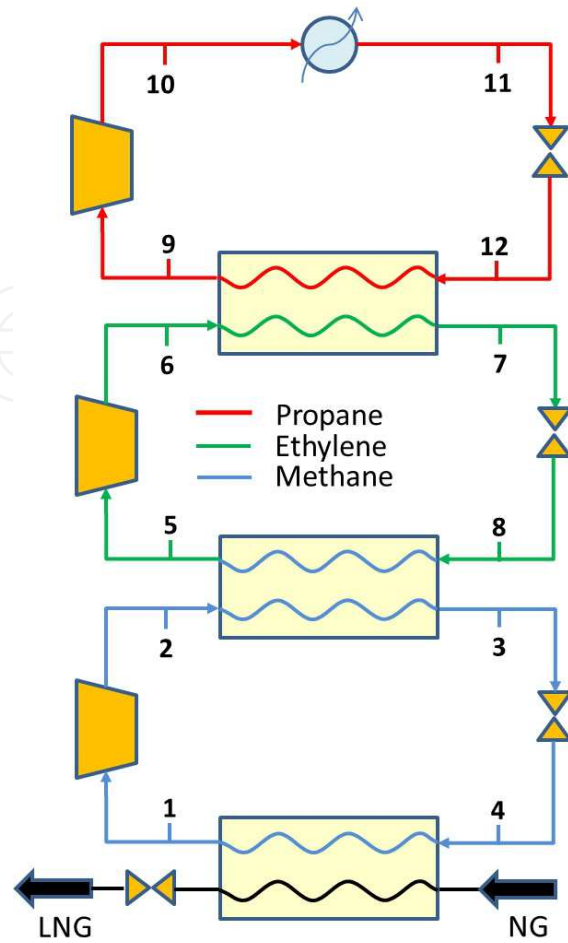


Fig. 7. Triple cascade in traditional configuration.

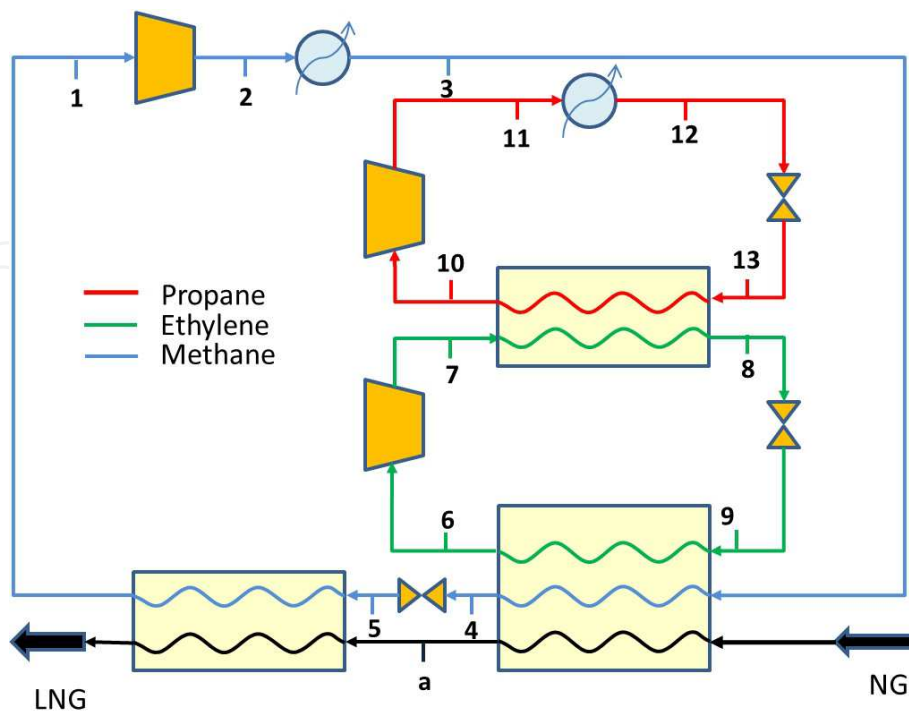


Fig. 8. Triple cascade in hybrid configuration.

| Stream | Traditional Cascade | Hybrid Cascade | Triple Cascade |
|--------|------------------------|------------------------|------------------------|
| 1 | T=-155 °C | T=-155 °C | T=-155 °C |
| 2 | T=61 °C; P=4000 kPa | T=61 °C; P=4000 kPa | T=61 °C; P=4000 kPa |
| 3 | T=-94 °C | T=12 °C | T=12 °C |
| 4 | P=140 kPa | T=-94 °C | T=-30 °C |
| 5 | T=-96 °C | P=140 kPa | T=-94 °C |
| 6 | T=79 °C, P=1950 kPa | T=-96 °C | P=140 kPa |
| 7 | Vaporized fraction=0.2 | T=79 °C, P=1950 kPa | T=-96 °C |
| 8 | P=140 kPa | Vaporized fraction=0.2 | T=79 °C, P=2000 kPa |
| 9 | T=-32 °C | P=140 kPa | T=12 °C |
| 10 | T=38 °C, P=750 kPa | T=-32 °C | Vaporized fraction=0.2 |
| 11 | T=12 °C | T=38 °C, P=750 kPa | P=140 kPa |
| 12 | P=120 kPa | T=12 °C | T=-32 °C |
| 13 | - | Vaporized fraction=0.2 | T=38 °C, P=750 kPa |
| 14 | - | - | T=12 °C |
| 15 | - | - | Vaporized fraction=0.2 |

Table 2. Initial operating conditions for the cascade cycles.

The refrigerant load is unknown, and its value is calculated using an energy balance in the evaporators. For example, in the triple cascade (Fig. 5) the three energy balances are presented in Eqs. (29) - (31), as a function of enthalpies and flow rates (F). As can be seen in these equations, the inner cycle energy balance depends on the external cycle flow rate, so the cascades should be solved starting from the external cycle.

$$F_{\text{methane}} = \frac{F_{\text{NG}} \cdot (h_{\text{LNG}} - h_b)}{h_6 - h_1} \quad (29)$$

$$F_{\text{ethylene}} = \frac{F_{\text{methane}} (h_5 - h_4) + F_{\text{NG}} (h_b - h_a)}{h_{11} - h_7} \quad (30)$$

$$F_{\text{propane}} = \frac{F_{\text{ethylene}} \cdot (h_{10} - h_9) + F_{\text{methane}} \cdot (h_4 - h_3) + F_{\text{NG}} \cdot (h_a - h_{\text{NG}})}{h_{15} - h_{12}} \quad (31)$$

3.2 Modelling of simple cycles

After a freedom degree analysis, the conditions for the simple cycle were set as shown in Table 3. The pressure level is important because the temperature at the valve outlet (Fig. 6) should be less than the temperature at the inlet, and this value should be cooler than the LNG final temperature.

The composition of the mixed refrigerant was also a variable. A base case composition was used as well as others optimized compositions found in the literature, in order to compare the results, even if the optimizations were carried out at different conditions than the used in the present work. These compositions are presented in Table 1Table 4.

| Stream | Operating Condition |
|--------|---------------------|
| 1 | T=-6 °C |
| 2 | P=3000 kPa, T=-1 °C |
| 3 | T=12 °C |
| 4 | T=-155 °C |
| 5 | P=340 kPa |

Table 3. Simple cycle with mixed refrigerant conditions.

| Component | Base Case | Lee et al. (2002) | Del Nogal et al. (2005) | Jensen & Skogestad (2006) |
|-----------|-----------|-------------------|-------------------------|---------------------------|
| Methane | 0.36 | 0.273 | 0.2712 | 0.2365 |
| Ethane | 0.28 | 0.356 | 0.3721 | 0.3949 |
| Propane | 0.11 | 0.052 | 0.0027 | 0.0000 |
| Butane | 0.15 | 0.209 | 0.2531 | 0.2914 |
| Nitrogen | 0.10 | 0.110 | 0.1008 | 0.0772 |

Table 4. Compositions used for the mixed refrigerant in the simple cycle.

4. Results and discussion

In the following sections the results obtained for the simulations will be discussed, as well as the results for the sensitivity analysis carried out.

4.1 Results for the cascade cycles

In Fig. 9 and Fig. 10 are presented graphically the results for the flow rate, heat exchanged, COP and work required for each cycle in each configuration used. Configuration 1

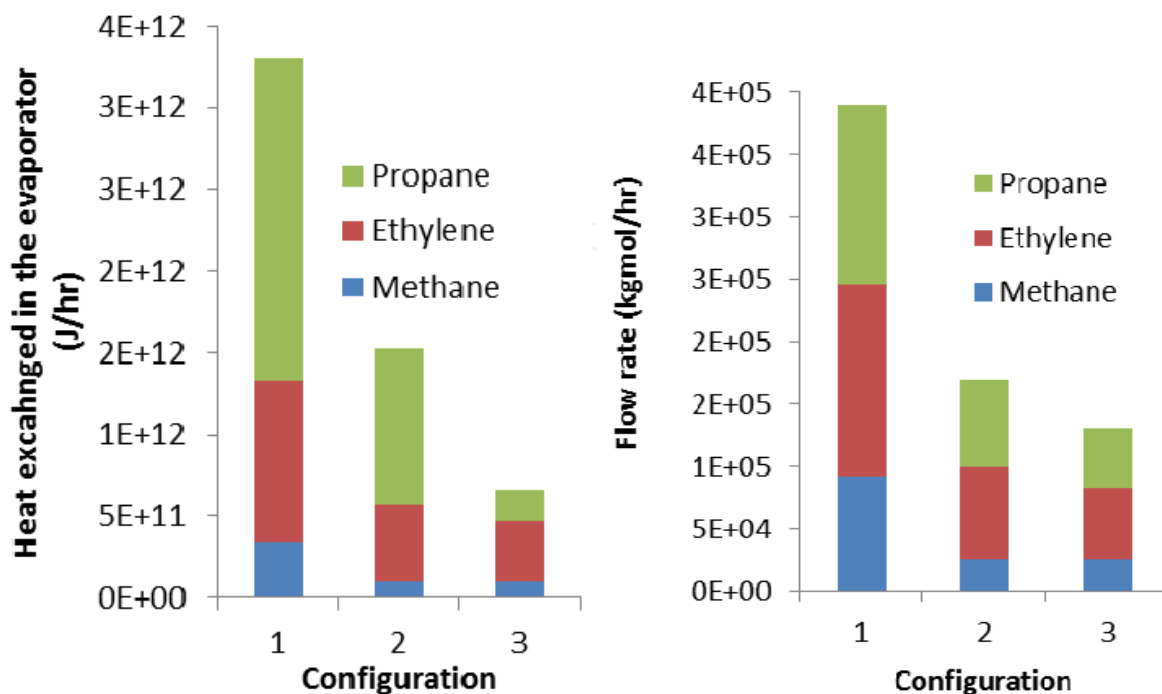


Fig. 9. Flow rate and heat exchanged results for the cascade cycles.

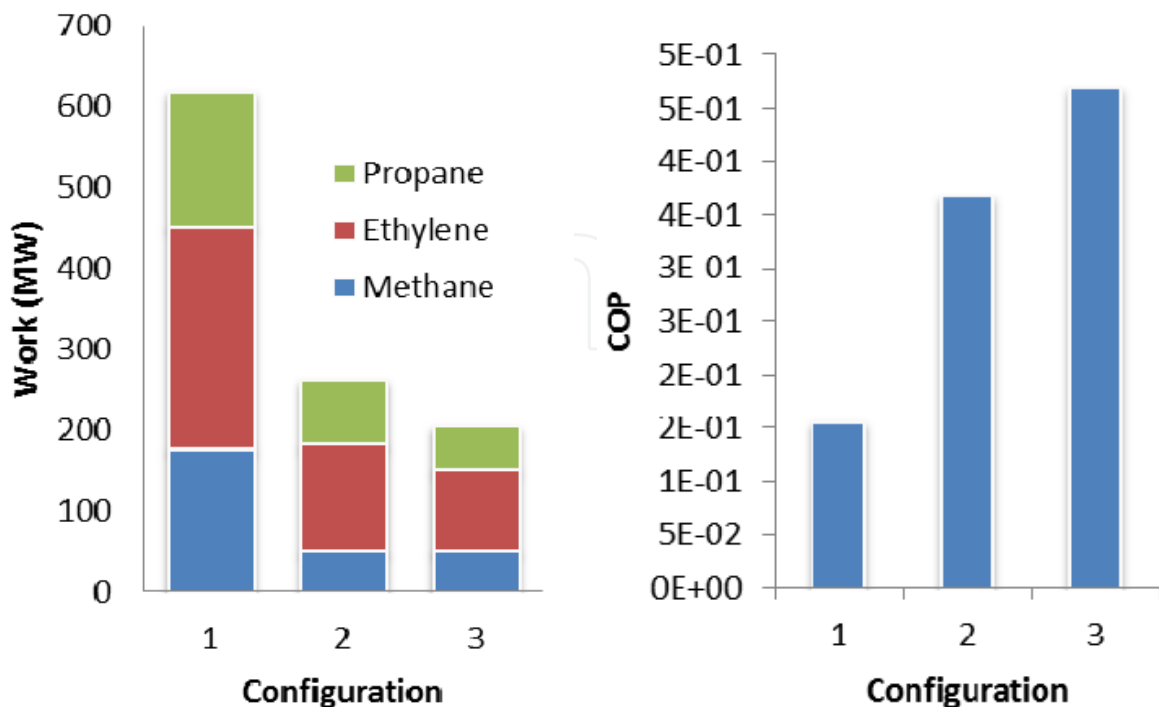


Fig. 10. Work required and COP of the cascades.

corresponds to the traditional cascade, configuration 2 to the hybrid cascade and configuration 3 to the triple cascade used for natural gas liquefaction.

It can be seen that, as commented previously, the use of the triple cascade is more convenient for the liquefaction of natural gas. It requires fewer amounts of refrigerants due to the less heat required to exchange in the evaporators. Moreover, the work required is less and as a consequence of these two effects, the COP of the cycle is improved greatly.

On the other hand, is important to note that other advantage of using the cascade cycles is the use of the propane for cooling the other refrigerants. Its heat capacity is greater, so it can exchange more energy using less flow rate.

In Table 5. Results for the traditional cascade are reported, along with the sensitivity analysis performed to the methane cycle. As one can expect, the compressor outlet pressure variation does not affect the valve outlet temperature because its outlet pressure corresponds to a saturation state, but it does affect the vaporized fraction after the valve. In the same way, the pressure variation at the valve outlet does not have consequences in the heat exchanged in the condenser.

The change in the flow rate of the lowest cycle modifies the energy balance in the common evaporator, so the flow rate of the other cycles changes in consequence. The work done in the compressor also varies due that it is presented as an extensive property.

Comparing the two parameters, the one with more impact in the operation was the outlet pressure of the lowest cycle. A variation of 12.5% in the pressure affects in more than 2% the COP value.

| | Base Case | Outlet Compressor Pressure at the lowest cycle | | Outlet Valve Pressure at the lowest cycle | |
|---------------------------------|-----------|--|--------|---|----------|
| | | +12.5% | -12.5% | +14.3% | -14.3% |
| Lowest Cycle | | | | | |
| Flow rate ratio (-) | 3.51 | -1.86% | +2.52% | +0.37% | -0.37% |
| W (MW) | 176.20 | -2.89% | +3.60% | +0.58% | -0.57% |
| Q Evaporator (J/mol) | 3.76E+06 | +1.90% | -2.46% | -0.37% | +0.37% |
| Q Condenser (J/mol) | 1.07E+07 | -0.01% | -0.19% | | |
| T out valve (°C) | -157.49 | | | +1.78 °C | -1.98 °C |
| Valve outlet vaporized fraction | 0.55 | -1.61% | +2.09% | -1.62% | +1.79% |
| Compressor Efficiency | 0.84 | +3.84% | -4.25% | -4.70% | +5.53% |
| COP (-) | 0.55 | +2.98% | -3.48% | -0.57% | +0.57% |
| Intermediate Cycle | | | | | |
| Flow rate ratio (-) | 5.85 | -1.87% | +2.33% | +0.37% | -0.37% |
| W (MW) | 274.53 | -1.87% | +2.33% | +0.37% | -0.37% |
| Q Evaporator (J/mol) | 6.40E+06 | | | | |
| Q Condenser (J/mol) | 1.28E+07 | | | | |
| T out valve (°C) | -98.29 | | | | |
| Valve outlet vaporized fraction | 0.52 | | | | |
| Compressor Efficiency | 0.90 | | | | |
| COP (-) | 0.99 | | | | |
| Highest Cycle | | | | | |
| Flow rate ratio (-) | 5.49 | -1.87% | +2.33% | +0.37% | -0.37% |
| W (MW) | 166.30 | -1.87% | +2.33% | +0.37% | -0.37% |
| Q Evaporator (J/mol) | 1.37E+07 | | | | |
| Q Condenser (J/mol) | 1.78E+07 | | | | |
| T out valve (°C) | -34.55 | | | | |
| Valve outlet vaporized fraction | 0.27 | | | | |
| Compressor Efficiency | 0.93 | | | | |
| COP (-) | 3.29 | | | | |
| Total Flow rate ratio (-) | 14.85 | -1.87% | +2.38% | +0.37% | -0.37% |
| Total COP (-) | 0.1558 | +2.21% | -2.62% | -0.43% | +0.43% |

Table 5. Results for the traditional cascade.

The results for the hybrid cascade (as illustrated in Fig. 8) are presented in Table 6 and Table 7. Similar to the previous configurations, variation on the external cycles only affected the other cycles due to the change in the flow rates and thus in the evaporators energy balance.

The changes in the internal-lowest cycle only affected the internal-highest cycle. In particular it can be seen that variations in the compressor outlet pressure in the internal-lowest cycle has more impact than the variations due to the changes in the external cycle outlet compressor pressure. A modification of 20.5% in the highest pressure of the external cycle affects in around 4% the total COP.

| External Cycle | Base Case | Outlet Compressor Pressure at the external cycle | | Outlet Valve Pressure at the external cycle | |
|---------------------------------|-----------|--|--------|---|----------|
| | | +12.5% | -12.5% | +14.3% | -14.3% |
| Flow rate ratio (-) | 0.98 | -1.91% | +2.61% | +0.37% | -0.37% |
| W (MW) | 49.43 | -2.94% | +3.69% | +0.58% | -0.57% |
| Q Evaporator 1 (J/mol) | 3.75E+06 | +1.95% | -2.54% | -0.37% | +0.37% |
| Q Evaporator 2 (J/mol) | -8.69E+06 | -0.31% | +0.06% | | |
| Q Condenser (J/mol) | -1.96E+06 | +1.43% | -1.40% | | |
| T out valve (°C) | -157.49 | | | +1.78 °C | -1.98 °C |
| Valve outlet vaporized fraction | 0.55 | -1.65% | +2.15% | -1.62% | +1.79% |
| Compressor Efficiency | 0.84 | +3.84% | -4.25% | -4.70% | +5.53% |
| COP (-) | 0.54 | +3.03% | -3.56% | -0.57% | +0.57% |
| Internal Lowest Cycle | | | | | |
| Flow rate ratio (-) | 2.80 | -1.05% | +1.26% | +0.18% | -0.17% |
| W (MW) | 131.73 | -1.05% | +1.26% | +0.18% | -0.17% |
| Q Evaporator (J/mol) | 6.44E+06 | | | | |
| Q Condenser (J/mol) | -1.29E+07 | | | | |
| T out valve (°C) | -98.29 | | | | |
| Valve outlet vaporized fraction | 0.52 | | | | |
| Compressor Efficiency | 0.90 | | | | |
| COP (-) | 1.00 | | | | |
| Internal Highest Cycle | | | | | |
| Flow rate ratio (-) | 2.64 | -1.05% | +1.26% | +0.18% | -0.17% |
| W (MW) | 79.79 | -1.05% | +1.26% | +0.18% | -0.17% |
| Q Evaporator (J/mol) | 1.37E+07 | | | | |
| Q Condenser (J/mol) | -1.78E+07 | | | | |
| T out valve (°C) | -34.55 | | | | |
| Valve outlet vaporized fraction | 0.27 | | | | |
| Compressor Efficiency | 0.93 | | | | |
| COP (-) | 3.30 | | | | |
| Total Work (MW) | 260.95 | -1.41% | +1.72% | +0.25% | -0.25% |
| COP total (-) | 0.3684 | +1.43% | -1.69% | -0.25% | +0.25% |

Table 6. Results for the hybrid cascade.

| | Outlet Compressor Pressure at the internal-lowest cycle | | Outlet Valve Pressure at the internal-lowest cycle | |
|---------------------------------|---|--------|--|----------|
| | +20.5% | -20.5% | +14.3% | -14.3% |
| Internal-Lowes Cycle | | | | |
| Flow rate ratio (-) | +8.90% | -8.26% | +0.31% | -0.31% |
| W (MW) | +6.27% | -6.09% | +0.62% | -0.61% |
| Q Evaporator (J/mol) | -8.17% | +9.01% | -0.31% | +0.31% |
| Q Condenser (J/mol) | -5.29% | +5.69% | | |
| T out valve (°C) | | | -0.03 °C | +0.03 °C |
| Valve outlet vaporized fraction | +7.69% | -8.48% | -1.65% | +1.82% |
| Compressor Efficiency | +7.90% | -9.20% | -5.92% | +6.98% |
| COP (-) | -5.90% | +6.48% | -0.62% | +0.62% |
| Internal Highest Cycle | | | | |
| Flow rate ratio (-) | +3.14% | -3.05% | +0.31% | -0.31% |
| W (MW) | +3.14% | -3.05% | +0.31% | -0.31% |
| COP (-) | | | | |
| Total Work (MW) | +4.13% | -4.00% | +0.41% | -0.40% |
| COP total (-) | -3.96% | +4.17% | -0.41% | +0.41% |

Table 7. Results for the hybrid cascade (continued).

The results for the triple cascade (as illustrated in Fig. 5) are shown in Table 8, Table 9, and Table 10. As in the previous cases, the hierarchy of the changes is from the external to the internal cycles, and the variations in the internal cycles did not affect the externals.

The sensitivity of the variations in the external cycle high pressure is slightly higher than in the intermediate cycle. A 12.5 % variation of the outlet compressor pressure in the external cycle changes more than 1.75 % the total COP of the system.

In Table 11 is reported the most relevant results for the sensitivity analysis. It is shown the results on the COP and on the total flow rate. The first gives an idea about the cycle performance, and the later about the equipment size required.

4.2 Results for the simple cycle using mixed refrigerant

In Table 12 are reported the sensitivity study for the simple cycle using mixed refrigerant. It can be seen that the high pressure of the cycle affects more the COP than the low pressure. In particular, a decrease of 10% in the high pressure produces a diminution of the COP by 8.48%.

On the other hand, on Table 13 are presented the results with other optimized compositions found in the literature. It is important to note that even if these compositions were optimized using particular conditions, using them results in an increase in the COP.

| | | | Outlet Compressor Pressure at the external cycle | | Outlet Valve Pressure at the external cycle | |
|--------------------|---------------------------------|-----------|--|--------|---|----------|
| | | Base Case | +12.5% | -12.5% | +14.3% | -14.3% |
| External Cycle | Flow rate ratio (-) | 0.99 | -1.96% | +2.69% | +0.37% | -0.37% |
| | W (MW) | 49.58 | -2.99% | +3.78% | +0.58% | -0.57% |
| | Q Evaporator 1 (J/mol) | 3.75E+06 | +2.00% | -2.62% | -0.37% | +0.37% |
| | Q Evaporator 2 (J/mol) | -6.97E+06 | -1.04% | +0.66% | | |
| | Q Evaporator 3 (J/mol) | -1.72E+06 | +2.72% | -2.55% | | |
| | Q Condenser (J/mol) | -1.96E+06 | +1.43% | -1.40% | | |
| | T out valve (°C) | -157.49 | | | +1.78 °C | -1.98 °C |
| | Valve outlet vaporized fraction | 0.55 | -1.69% | +2.21% | -1.61% | +1.78% |
| | Compressor Efficiency | 0.84 | +3.84% | -4.25% | -4.70% | +5.53% |
| | COP (-) | 0.54 | +3.08% | -3.64% | -0.57% | +0.57% |
| Intermediate Cycle | Flow rate ratio (-) | 2.16 | -1.45% | +1.64% | +0.18% | -0.18% |
| | W (MW) | 101.13 | -1.45% | +1.64% | +0.18% | -0.18% |
| | Q Evaporator 2 (J/mol) | 6.53E+06 | | | | |
| | Q Evaporator 3 (J/mol) | -9.52E+06 | | | | |
| | Q Condenser (J/mol) | -3.34E+06 | | | | |
| | T out valve (°C) | -98.29 | | | | |
| | Valve outlet vaporized fraction | 0.52 | | | | |
| | Compressor Efficiency | 0.91 | | | | |
| Internal Cycle | COP (-) | 1.02 | | | | |
| | Flow rate ratio (-) | 1.80 | -1.17% | +1.38% | +0.18% | -0.18% |
| | W (MW) | 54.37 | -1.17% | +1.38% | +0.18% | -0.18% |
| | Q Evaporator (J/mol) | 1.37E+07 | | | | |
| | Q Condenser (J/mol) | -1.78E+07 | | | | |
| | T out valve (°C) | -34.55 | | | | |
| | Valve outlet vaporized fraction | 0.27 | | | | |
| | Compressor Efficiency | 0.93 | | | | |
| | COP (-) | 3.29 | | | | |
| Total COP (-) | 0.4695 | +1.78% | -2.05% | -0.28% | +0.27% | |

Table 8. Results for the triple cascade.

| | | Outlet Compressor Pressure at the intermediate cycle | | Outlet Valve Pressure at the intermediate cycle | |
|---------------------------|---------------------------------|--|-------------|---|---------------|
| Intermediate Cycle | Intermediate Cycle | +20% | -20% | +14.3% | -14.3% |
| | Flow rate ratio (-) | +8.76% | -8.15% | +0.29% | -0.29% |
| | W (MW) | +6.12% | -5.96% | +0.61% | -0.60% |
| | Q Evaporator 2 (J/mol) | -8.05% | +8.87% | -0.29% | +0.29% |
| | Q Evaporator 3 (J/mol) | -8.24% | +8.64% | | |
| | Q Condenser (J/mol) | +3.08% | -2.67% | | |
| | T out valve (°C) | | | +2.5 °C | -2.8 °C |
| | Valve outlet vaporized fraction | +7.69% | -8.48% | -1.65% | +1.82% |
| | Compressor Efficiency | +7.70% | -8.91% | -5.88% | +6.93% |
| | COP (-) | -5.77% | +6.34% | -0.60% | +0.60% |
| Internal Cycle | Flow rate ratio (-) | -0.18% | +0.18% | +0.25% | -0.24% |
| | W (MW) | -0.18% | +0.18% | +0.25% | -0.24% |
| | Total Work (MW) | +2.97% | -2.99% | +0.36% | -0.36% |
| | Total COP (-) | -2.89% | +3.08% | -0.36% | +0.36% |

Table 9. Results for the triple cascade (continued).

| | | Outlet Compressor Pressure at the internal cycle | | Outlet Valve Pressure at the internal cycle | |
|---------------------------------|--|--|---------------|---|---------------|
| Internal Cycle | | +7.14% | -7.14% | +14.3% | -14.3% |
| Flow rate ratio (-) | | -0.001% | +0.001% | +0.23% | -0.23% |
| W (MW) | | -1.56% | +1.53% | +1.00% | -0.98% |
| Q Evaporator (J/mol) | | +0.001% | -0.001% | -0.23% | +0.23% |
| Q Condenser (J/mol) | | -0.36% | +0.36% | | |
| T out valve (°C) | | | | +3.32 °C | -3.72 °C |
| Valve outlet vaporized fraction | | -0.003% | +0.003% | -5.88% | +6.41% |
| Compressor Efficiency | | +4.52% | -4.65% | -9.29% | +11.01% |
| COP (-) | | +1.58% | -1.51% | -0.99% | +0.99% |
| Total Flow rate ratio (-) | | -0.0003% | +0.0004% | +0.08% | -0.08% |
| Total Work (MW) | | -0.41% | +0.41% | +0.27% | -0.26% |
| Total COP (-) | | +0.41% | -0.40% | -0.26% | +0.26% |

Table 10. Results for the triple cascade (continued).

| Configuration | Variable | Variation | Sensitivity on the COP | Sensitivity on the Flow Rate |
|---------------------|-------------------------------------|-----------|------------------------|------------------------------|
| Traditional Cascade | Lowest cycle high pressure | -12.5% | -2.62% | +2.38% |
| Hybrid Cascade | Internal-lowest cycle high pressure | -20.5% | +4.17% | -4.86% |
| Triple Cascade | External cycle high pressure | -12.5% | -2.05% | +1.76% |

Table 11. Summary of the sensitivity analysis for the cascades.

| | Base Case | High Pressure | | Low Pressure | |
|---------------------------------|-----------|---------------|----------|--------------|----------|
| | | +10% | -10% | +16.67% | -16.67% |
| Flow rate ratio (-) | 2.69 | -6.71% | +8.24% | +0.60% | -0.59% |
| W (J/mol) | 7.26E+06 | -1.29% | +1.27% | +0.40% | -0.40% |
| W (MW) | 142.41 | -8.09% | +9.62% | +1.00% | -0.98% |
| Q Evaporator 1 (J/mol) | -1.67E+07 | -2.08% | +2.30% | | |
| Q Evaporator 2 (J/mol) | 2.16E+07 | -0.05% | +0.05% | -0.13% | +0.13% |
| Q Condenser (J/mol) | -1.22E+07 | +1.91% | -2.31% | | |
| T out valve (°C) | -157.05 | +0.11 °C | -0.11 °C | +0.93 °C | -1.04 °C |
| Valve outlet vaporized fraction | 0.04 | +1.61% | -1.64% | -25.99% | +27.82% |
| Compressor Efficiency | 0.85 | +4.81% | -5.41% | -6.97% | +8.14% |
| COP (-) | 0.67 | +7.49% | -8.78% | -0.99% | +0.99% |

Table 12. Results for the simple cycle with mixed refrigerant.

| | Lee et al. (2002) | Del Nogal et al. (2005) | Jensen & Skogestad (2006) |
|---------------------------------|----------------------|----------------------------|------------------------------|
| Flow rate ratio (-) | -25.56% | -32.19% | -20.31% |
| W (J/mol) | +3.15% | +19.62% | -11.67% |
| W (MW) | -23.22% | -18.88% | -29.61% |
| Q Evaporator 1 (J/mol) | -6.75% | -8.53% | +8.35% |
| Q Evaporator 2 (J/mol) | +2.56% | +4.16% | +12.23% |
| Q Condenser (J/mol) | +15.72% | +30.84% | +3.30% |
| T out valve (°C) | +0.46 °C | -0.01 °C | -0.03 °C |
| Valve outlet vaporized fraction | +11.83% | +33.19% | -6.96% |
| Compressor Efficiency | -0.01% | +0.03% | +0.05% |
| COP (-) | +30.24% | +23.28% | +42.06% |

Table 13. Results for the simple cycle with mixed refrigerant (continued).

In order to use them it was necessary to adjust the high pressure to guarantee a valve outlet temperature of -157 °C. In all the cases the minimum temperature approach (MITA) of the temperature profiles inside the evaporator was checked in order to avoid temperature cross.

When using the compositions of Table 4, also the suction temperature of the compressor was changed, in order to have a MITA of at least 2 °C. The discharge temperature of the compressor was adjusted so the polytropic efficiency was 85%.

It must be noted that the amount the heat exchanged on each refrigerant pass in the evaporator must be maximized, in this way the difference in heat exchanged in each pass of is the heat retired from the natural gas, so the greater this quantity is, the less refrigerant would be used and the greater the COP.

This can be seen in Table 13, the mixture with a greater heat transferred in each pass of the evaporator is the one proposed by Jensen & Skogestad (2006), which has the greater COP.

When comparing the results of the triple cascade with pure refrigerant and the simple cycle with mixed refrigerant can be seen that the later has the greatest COP and also the smallest

and the smaller power consumption and refrigerant flow rate. Nevertheless, the advantage of the cascade cycle is its simpler operation, so the any decision on the technology selection should be studied carefully.

5. Conclusions

Starting with two of the most used technologies for natural gas liquefaction, it was possible to model and simulate the system using Matlab® routines and using the thermodynamic model of Peng-Robinson for calculating energetic properties of the fluids, which led to the calculation of heats and powers of the cycle.

It was also possible to perform a sensitivity analysis of some of the variables of the cycle and it was obtained that the most affecting variables are the high pressure of the external cycle (for the cascades) and the high pressure of the simple cycle with mixed refrigerant.

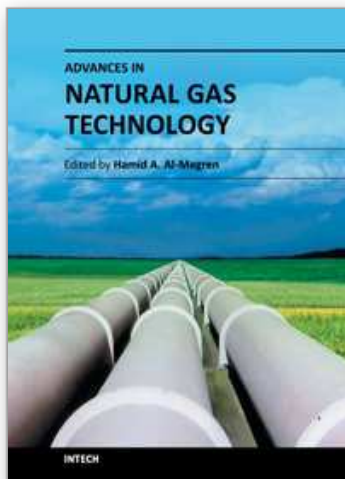
Other compositions found in the literature were tested for the simple cycle. It was observed that every different composition could affect the performance, and we recommend performing an optimization using these operating conditions, in order to maximize the COP.

6. References

- Aspelund, A.; Gundersen, T.; Myklebust, J.; Nowak, M. P. & Tomasgard, A. (2010). An Optimization-Simulation Model for a Simple LNG Process. *Computers & Chemical Engineering*, Vol. 34, No.10, (October 2010), pp. 1606-1617, ISSN: 0098-1354.
- British Petroleum. (2011). Natural Gas. In: *BP Statistical Review of World Energy*, June 2011, Available from <http://www.bp.com/statisticalreview>
- Çengel, Y. & Boles, M. (2006). *Thermodynamics: An Engineering Approach*, McGraw-Hill, 978-0070606593.
- Del Nogal, F. L.; Kim, J.; Smith, R. & Perry, S. J. (2005). Improved Design of Mixed Refrigerant Cycles Using Mathematical Programming. *GPA Europe Meeting: GTL and LNG in Europe*, Amsterdam, February, 2005.
- Green, D. W. & Perry, R. H. (2008). *Perry's Chemical Engineering Handbook* (8th. ed.), McGraw-Hill, 0-07-154209-4.
- Haselden, G. G. (1977). The Liquefaction of Natural Gas. *Contemporary Physics*, Vol. 18, No.5, 471-488, ISSN: 1366-5812.
- Institute for Energy, Law & Enterprise. University of Houston. (2003). An Overview on Liquefied Natural Gas (LNG), Its Properties, the LNG Industry, Safety Considerations. Available from <http://www.energy.uh.edu>
- Jensen, J. B. & Skogestad, S. (2006). Optimal Operation of a Simple LNG Process. *International Symposium on advanced control of chemical processes (ADCHEM)*, Gramado - Brazil, April 2-5, 2006.
- Lee, G. C.; Smith, R. & Zhu, X. X. (2002). Optimal Synthesis of Mixed-Refrigerant Systems for Low-Temperature Processes. *Industrial Chemical Engineering Research*, Vol. 41, No.20, (August 2002), pp. 5016-5028, ISSN: 1520-5045.
- Lemmon, E.W.; McLinden, M.O. & Friend, D.G. . (2005). Thermophysical Properties of Fluid Systems. In: *NIST Chemistry WebBook, NIST Standard Reference Database Number 69*, October 2011, Available from <http://webbook.nist.gov>

- Nikos, V. (1986). Phase Behavior of Systems Compressing North Sea Reservoir Fluids and Injection Gases. *Journal of Petroleum Technology*, Vol. XXII, 1221-1233.
- Peng, D.-Y. & Robinson, D. B. (1976). A New Two Constant Equation of State. *Industrial & Engineering Chemistry Fundamentals*, Vol. 15, No.1, (February 1976), pp. 59-64.
- Price, B. C. & Mortko, R. A. (1996). Prico - a Simple, Flexible Proven Approach to Natural Gas Liquefaction. *GASTECH, LNG, Natural Gas, LPG international conference*, Vienna, 1996.
- Smith, R. (2005). *Chemical Process: Design and Integration* (1st. ed.), Wiley, 978-0471486817.
- Walas, S. M. (1990). *Chemical Process Equipment Selection and Design*, Butterworth-Heinemann, 0-7506-9385-1.

IntechOpen



Advances in Natural Gas Technology

Edited by Dr. Hamid Al-Megren

ISBN 978-953-51-0507-7

Hard cover, 542 pages

Publisher InTech

Published online 11, April, 2012

Published in print edition April, 2012

Natural gas is a vital component of the world's supply of energy and an important source of many bulk chemicals and speciality chemicals. It is one of the cleanest, safest, and most useful of all energy sources, and helps to meet the world's rising demand for cleaner energy into the future. However, exploring, producing and bringing gas to the user or converting gas into desired chemicals is a systematical engineering project, and every step requires thorough understanding of gas and the surrounding environment. Any advances in the process link could make a step change in gas industry. There have been increasing efforts in gas industry in recent years. With state-of-the-art contributions by leading experts in the field, this book addressed the technology advances in natural gas industry.

How to reference

In order to correctly reference this scholarly work, feel free to copy and paste the following:

Alessandro Trigilio, Alexis Bouza and Sabrina Di Scipio (2012). Modelling and Simulation of Natural Gas Liquefaction Process, *Advances in Natural Gas Technology*, Dr. Hamid Al-Megren (Ed.), ISBN: 978-953-51-0507-7, InTech, Available from: <http://www.intechopen.com/books/advances-in-natural-gas-technology/-modelling-and-simulation-of-natural-gas-liquefaction-process>

INTECH
open science | open minds

InTech Europe

University Campus STeP Ri
Slavka Krautzeka 83/A
51000 Rijeka, Croatia
Phone: +385 (51) 770 447
Fax: +385 (51) 686 166
www.intechopen.com

InTech China

Unit 405, Office Block, Hotel Equatorial Shanghai
No.65, Yan An Road (West), Shanghai, 200040, China
中国上海市延安西路65号上海国际贵都大饭店办公楼405单元
Phone: +86-21-62489820
Fax: +86-21-62489821

© 2012 The Author(s). Licensee IntechOpen. This is an open access article distributed under the terms of the [Creative Commons Attribution 3.0 License](#), which permits unrestricted use, distribution, and reproduction in any medium, provided the original work is properly cited.

IntechOpen

IntechOpen