

We are IntechOpen, the world's leading publisher of Open Access books Built by scientists, for scientists

4,800

Open access books available

122,000

International authors and editors

135M

Downloads

Our authors are among the

154

Countries delivered to

TOP 1%

most cited scientists

12.2%

Contributors from top 500 universities

**WEB OF SCIENCE™**Selection of our books indexed in the Book Citation Index
in Web of Science™ Core Collection (BKCI)

Interested in publishing with us?
Contact book.department@intechopen.com

Numbers displayed above are based on latest data collected.

For more information visit www.intechopen.com

Analysis of Cavitation Performance of Inducers

Xiaomei Guo, Zuchao Zhu, Baoling Cui and Yi Li
*The Laboratory of Fluid Transmission and Application,
Zhejiang Science Technology University,
China*

1. Introduction

Low specific speed centrifugal pumps have low flow rates and high heads. They are widely applied in the petroleum, chemical, aerospace, pharmaceuticals, metallurgy, and light industries, among others. With the development of space technology and petrol chemical industry, the highly stable cavitation performance of centrifugal pumps has been put forward. Poor cavitation performance is one of the key problems in low specific speed centrifugal pumps. The most effective method for solving this problem is adding an inducer upstream of the impeller to identify the influence produced by different pre-positioned structures. This chapter focuses primarily on the analysis of the cavitation performance of inducers to identify the influence imposed by different inducers on the cavitation performance of a centrifugal pump. The chapter is organized into five sections. First, the status of research on cavitation performance is reviewed. Second, the research model is described. Third, the simulations of the different inducers are presented. Fourth, the cavitation performance experiment is carried out. The conclusion ends the chapter.

2. Research status

Numerical calculation techniques have developed rapidly in recent years, and many works have been carried out on inducer flow and its cavitation performance. The results of the one-phase simulation of single and serial inducers (Cui et al., 2006) show that inducers can increase impeller inlet pressure, the easy to cavitate position is located at the rim of the suction surface near the inlet, and cavitation does not take place in the second inducer. The flow in the screw inducer is numerically calculated (Wang Jian-ying & Wang Pei-dong, 2006), and the results show that the head can be efficiently increased by adding a screw inducer. Guo et al. (2010) carried out a simulation of the flow in two different inducer structures, and showed that parameters including helical pitch, axial length, and blade wrap angle pose considerable influence on cavitation. Cavitation is an important phenomenon in the design of an inducer. The understanding and prediction of the mechanisms associated with cavitation have progressed significantly the past few years. Unsteady flow in the equal pitch inducer is numerically calculated by adopting the cavitation and mixture model (Ding & Liang, 2009). The results show that the area prone to cavitation is the rim of the suction surface. Unsteady flow in the progressive pitch inducer is also calculated using the Euler multiphase model and standard k- ϵ turbulence model (Yuan et al., 2008; Kong et al., 2010). The findings show that rounding out the blade inlet can improve the cavitation performance

of the inducer. The rotation cavitation of one channel and four channels of the inducer is simulated by adopting the unsteady cavitation model (Langthjem & Olhoff, 2004). The complex cavitation flow of the inducer is solved using the CRUNCH program and multiple unstructured grids (Li, 2004). The inducer's cavitation performance is determined through the simulation (OkitaK et al., 2009; Li & Wang, 2009). In references (Kunz et al., 2000; Medvitz et al., 2001), a preconditioned Navier-Stokes method has been applied to calculate cavitation flows in centrifugal pumps. Some numerical works have been developed to predict cavitation inception, cavity dimensions, and/or thresholds corresponding to pump head drops (Ait-Bouziad et al., 2003, 2004; Mejri et al., 2006). Researchers (Hosangadi & Ahuja, 2001) used a hybrid unstructured mesh to simulate the cavitation flows over a hydrofoil and a cylindrical headform. Hosangadi (2006) presented a good comparison of simulated and experimental data on breaking down a helical flat-plate inducer configuration in cold water. The influence of steady cavitation behavior on pump characteristics and on the final head drops was also simulated (Benoît et al., 2008).

In spite of these relevant works, more studies are needed to improve on earlier achievements. To reveal the mechanism of two-phase flow in an inducer under cavitation conditions, four different inducers are designed, gas-liquid two-phase flows are simulated, and a corresponding external cavitation experiment is carried out. In this paper, the mixture model and standard $k-\epsilon$ turbulent model are adopted for the simulation. The inducer, impeller, and volute are made as an entire channel for simulation by adopting a gas-liquid two-phase model. During the simulation, the radial gap between the inducer blade tip is taken into account, and the value is 1 mm.

3. Research model

The research object is a high-speed centrifugal pump with an inducer (four different structures) upstream of the impeller (see in Fig.1). The flow rate is $5 \text{ m}^3/\text{h}$, head 100 m, rotation speed 6 000 r/min. Seen from the inlet, rotation direction of inducer is clockwise. The centrifugal pump's impeller is shown in Fig.2. Four different inducers are adopted. One is equal-pitch. Second is long equal-pitch (with longer pitch than the first one). Third is progressive pitch. Fourth is with short splitting blades that with two long and two short blades (we call it two-long and two-short inducer in this chapter). The first three inducers are shown in Fig.3. Their parameters are shown in table 1. The last one is shown in Fig.4. Main geometry parameters are shown in table 2.

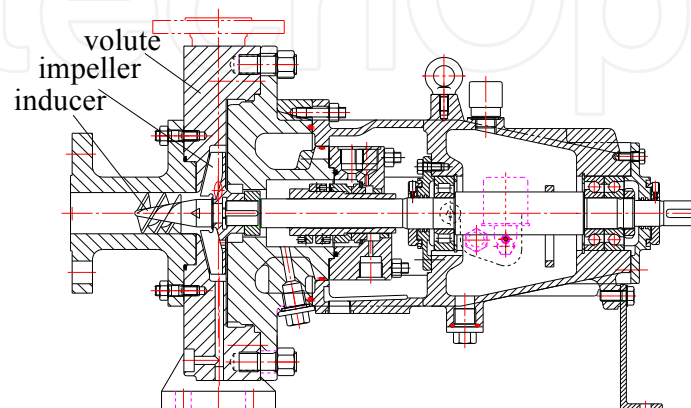


Fig. 1. The high-speed centrifugal pump with an inducer upstream of the impeller

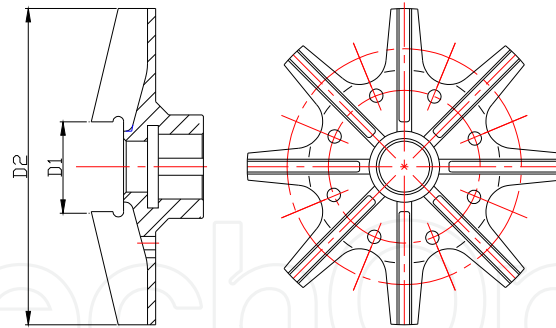


Fig. 2. Impeller

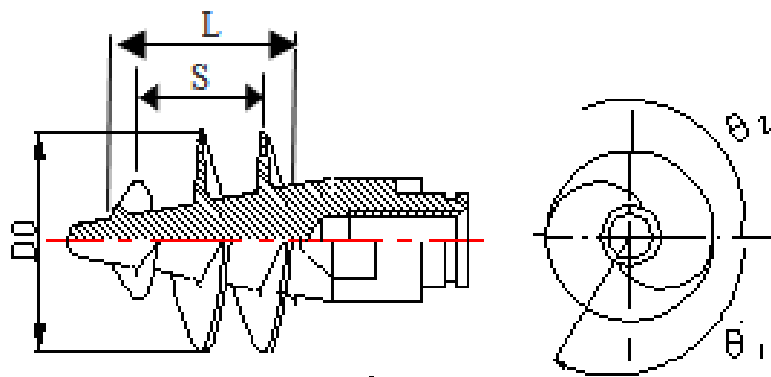


Fig. 3. Inducers with two blades

parameters	S	L	θ_1	θ_2
Equal-pitch inducer	20	24.3	120	317.5
Long-equal-pitch inducer	28	37	120	355.3
Progressive pitch inducer	$155.5 \tan(\beta_i)$ $6.6 \leq \beta_i \leq 12.6$	33	120	354.3

Table 1. Parameters of the inducers with two blades

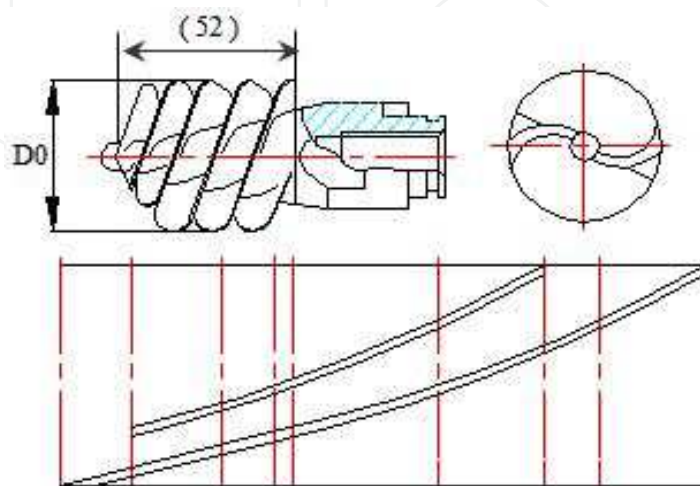


Fig. 4. Inducer with two long and two short blades

Geometry parameter	D0 (mm)	D1 (mm)	D2 (mm)
Diameter	38	28	136

Table 2. Main geometry parameters

4. Numerical simulations

4.1 Control equation

Mixture model is a simplified multiphase flow model, which is used to simulate different phases with different velocities. In many cases, the mixture model is a good alternative to Eulerian model, and it can get good results as other good multiphase model. The fluent software numerical code solves the standard k-ε turbulent model equations of a homogeneous fluid (Fortes et al., 2007, Coutier et al., 2004). Previous studies (Yuan et al., 2008, Tang et al., 2008, Benoît et al., 2008) pointed out that the Mixture model can successfully yield quantitative predictions of cavitation flow global parameters (i.e., characteristic frequencies, vapor structure size). As the gas-phase volume is relatively few when the inducer cavitates, the gas and liquid phases are supposed to be incompressible. So the mass equations are adopted as bellow:

$$\frac{\partial \rho_m}{\partial t} + \nabla \cdot (\rho_m \bar{v}_m) = \dot{m} \quad (1)$$

$$\bar{v}_m = \frac{a_1 \rho_1 \bar{v}_1 + a_2 \rho_2 \bar{v}_2}{\rho_m} \quad (2)$$

Where

$$\rho_m = a_1 \rho_1 + a_2 \rho_2 \quad (3)$$

$$\bar{v}_m = (a_1 \rho_1 \bar{v}_1 + a_2 \rho_2 \bar{v}_2) / \rho_m \quad (4)$$

Momentum Equation for the Mixture:

$$\frac{\partial(\rho_m \bar{v}_m)}{\partial t} + \nabla \cdot (\rho_m \bar{v}_m \bar{v}_m) = -\nabla p + \nabla \cdot [\mu_m (\nabla \bar{v}_m + \nabla \bar{v}_m^T)] + \rho_m \bar{g} + \bar{F} + \nabla \cdot (a_1 \rho_1 \bar{v}_{dr,1} \bar{v}_{dr,1} + a_2 \rho_2 \bar{v}_{dr,2} \bar{v}_{dr,2}) \quad (5)$$

Energy Equation for the Mixture

$$\frac{\partial}{\partial t} (a_1 \rho_1 E_1 + a_2 \rho_2 E_2) + \nabla \cdot (a_1 \bar{v}_1 (\rho_1 E_1 + p) + a_2 \bar{v}_2 (\rho_2 E_2 + p)) = \nabla \cdot (k_{eff} \cdot \nabla T) + S_E \quad (6)$$

Volume Fraction Equation for the Secondary Phase

$$\frac{\partial}{\partial t} (a_p \rho_p) + \nabla \cdot (a_p \bar{v}_m \rho_p) = -\nabla \cdot (a_p \bar{v}_{dr,p} \rho_p) \quad (7)$$

4.2 Computational grids

As the channel of the whole pump is complex and irregularly twisted, unstructured tetrahedral grids are adopted to the channel of inducers and impellers. The GAMBIT software is adopted to draw grids. The computational domain of the high speed pump with equal-pitch inducer consists of 200,097 nodes, 666,699 unit grids, with long-equal-pitch inducer 202,673 nodes, 680,657 unit grids, with progressive pitch inducer 209,658 nodes, 721,189 unit grids, with two-long and two-short inducer 202,673 nodes, 680,657 unit grids. The quality of the grids is satisfied with the solver's demand. The grids are shown in Fig.5.

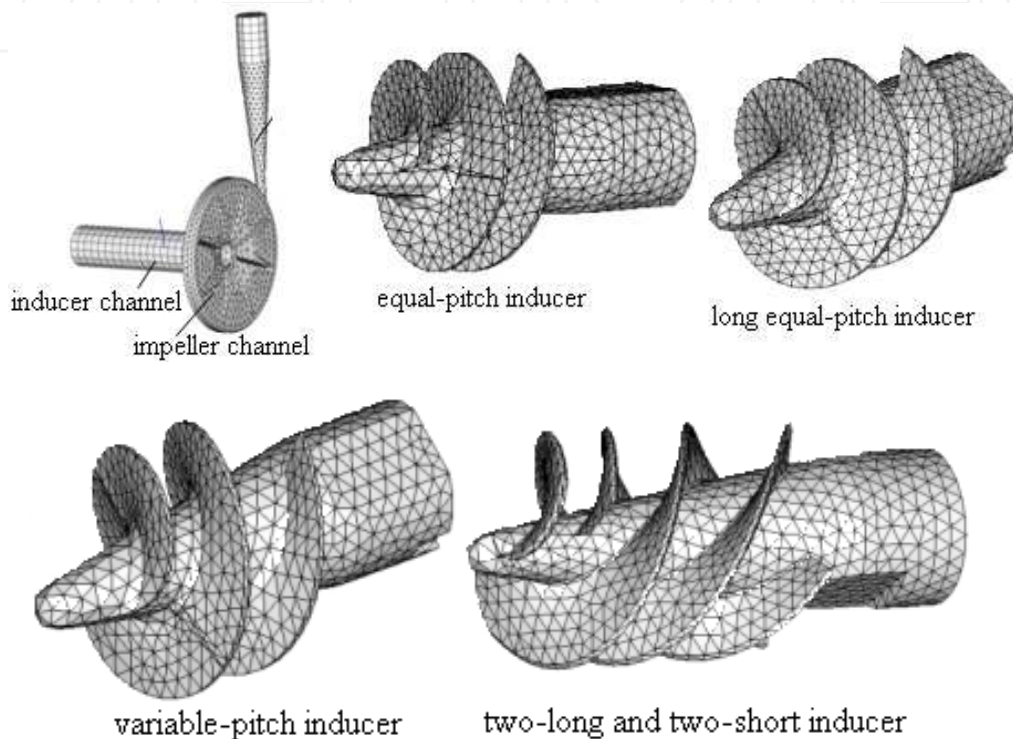


Fig. 5. Computational grids and inducers' grids

4.3 Boundary conditions

1. Inlet. Velocity-inlet is specified on the inlet.
2. Outlet. Static pressure is specified on the outlet. In order to get the distribution of the pressure and the gas-liquid phase volume fraction, the value of the outlet pressure should be the one which will ensure the pump to cavitate. The value is also got by the cavitation performance experiment. It can be seen in the table3.

Inducers	Absolute total pressure/Pa
Equal-pitch inducer	920627.3233
Long-equal-pitch inducer	932401.728
Progressive pitch inducer	932376.728
Two-long and two-short inducer	946138.5334

Table 3. Pressure on the outlet

3. Multi-phase flow. The Mixture model is adopted, and the number of the phases is set as two. The main phase is water-liquid, and the secondary phase is water-vapor. The saturated steam pressure is 3540 Pa.
4. Wall. No slip boundary conditions is specified.
5. Coordinate system. The moving coordinate system is adopted in the channel of the inducer and the impeller, and the rotation speed is set as 6 000 r/min, while the static coordinate system is adopted in the channel of the inlet pipe and the volute.

4.4 Results of numerical simulation

According to above, simulations are done. The velocity distribution and the static pressure distribution are got. For the cavitation mostly depends on the static pressure, the static pressure is chosen to be mainly analyzed. In order to know the pressure distribution mechanism law, the axial profile is chosen to be analyzed, which is shown in Fig.6. The static pressure distribution on the inducer is show in Fig.7.

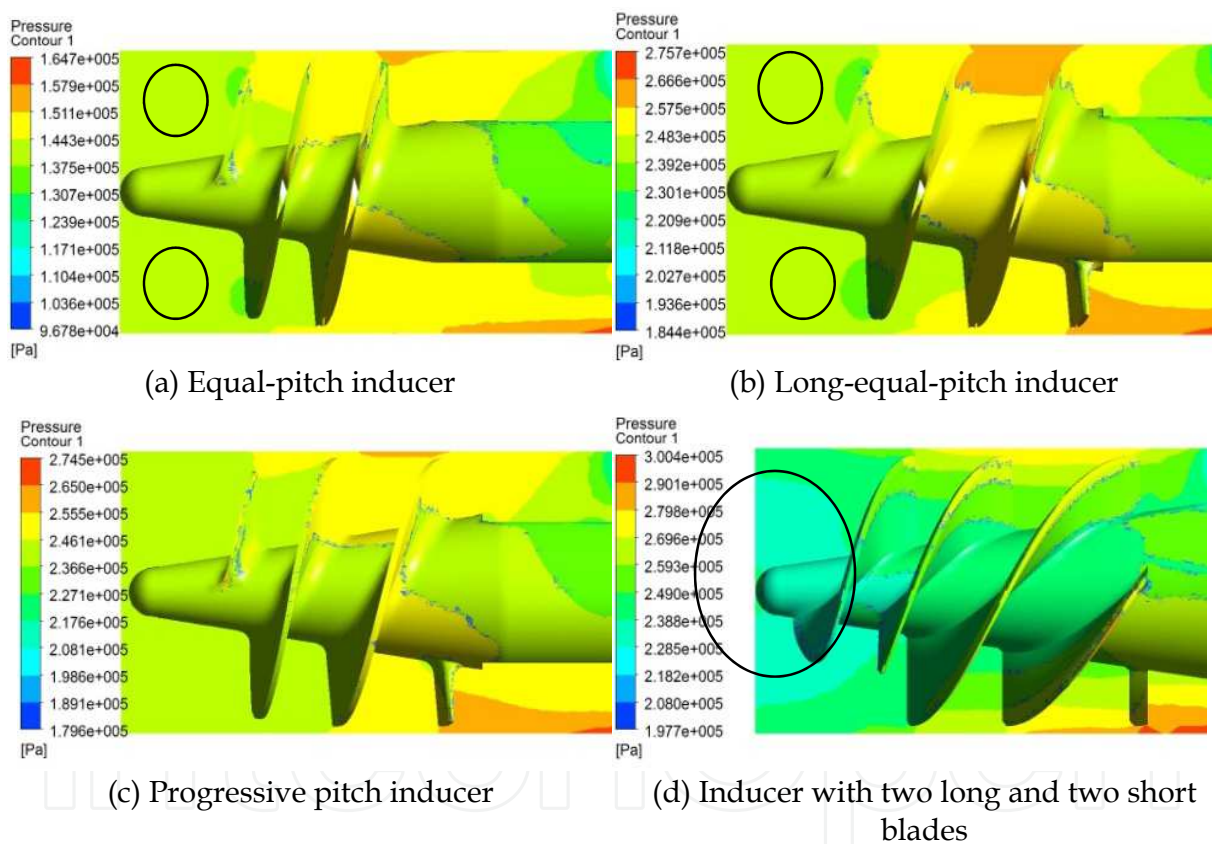


Fig. 6. Static pressure distribution in the axial channel

Fig.6 shows that the static pressure increases gradually from inlet to outlet. The pressure difference between the outlet and the inlet is different. Heads upstream of the impeller can be computed by the pressure difference. Fig.6 shows that near the suction side of the blade low pressure area exists in the equal-pitch inducer, long equal-pitch inducer. The pressure in the inducer's inlet is lower in the two-long and two-short inducer.

In order to know the pressure distribution on the inducers, take the inducers as the research object, which can be seen in Fig.7.

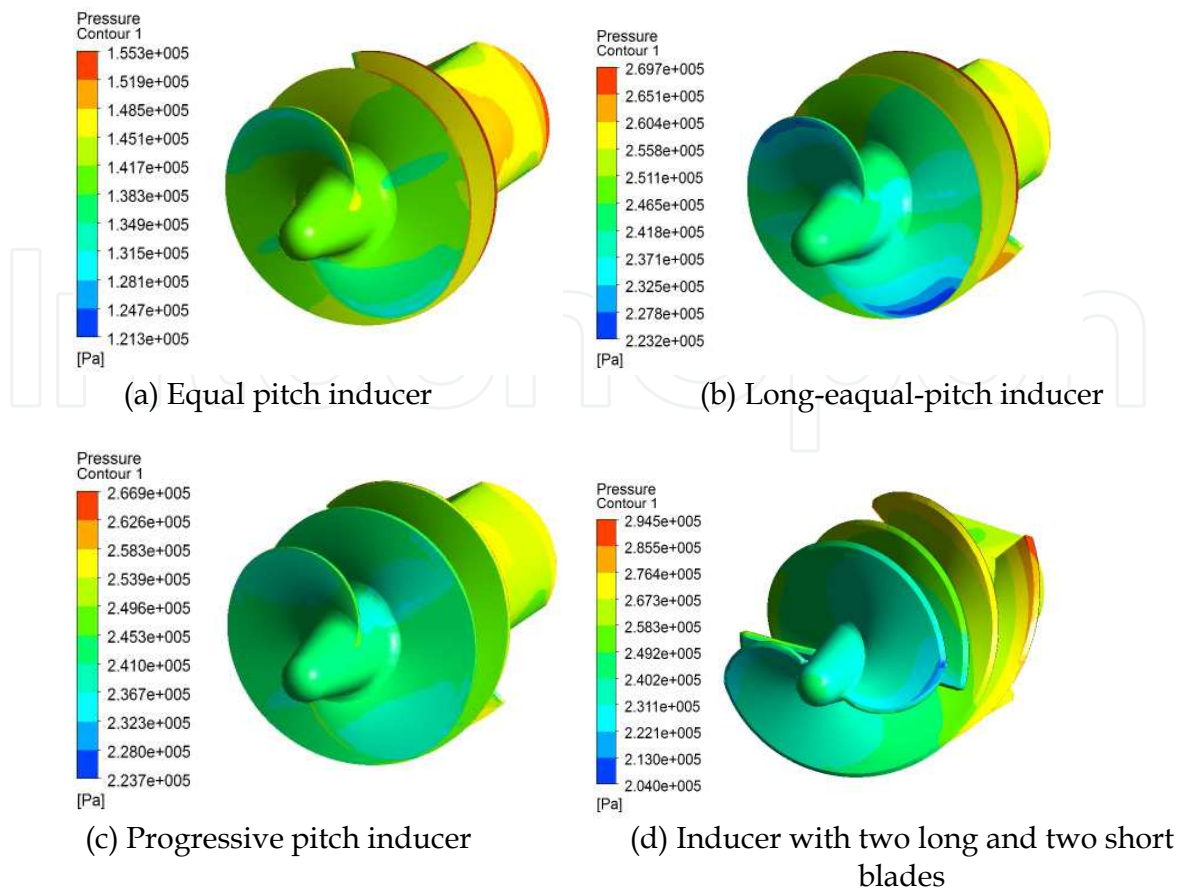


Fig. 7. Static pressure distribution on the inducer

Inducers	Absolute static pressure distribution range/Pa
Equal-pitch inducer	121300~155300
Long-equal-pitch inducer	223200~269700
Progressive pitch inducer	223700~266900
Two-long and two-short inducer	204000~294500

Table 4. Static pressure distribution range

Fig. 7 shows that under the design work condition, the static pressure increases gradually from inlet to outlet. The pressure difference between the outlet and the inlet can be got by the simulation. Heads can be computed by the pressure difference, and the result is listed in the table 5.

Inducers	Head of the high-speed centrifugal pump /m
Equal-pitch inducer	97.01
Long-equal-pitch inducer	98.21
Progressive pitch inducer	98.12
Two-long and two-short inducer	98.90

Table 5. Head of the high-speed centrifugal pump

Table 5 shows that the head of the high-speed centrifugal pump is the highest with the two-long and two-short inducer. Second is with long equal-pitch inducer. Third is with progressive pitch inducer. Fourth is with equal-pitch inducer. This is mainly relevant to the helical pitch (L , which can be seen in Table 1). The helical pitch of the two-long and two-short inducer is about 52 mm, long-equal-pitch 37 mm, progressive pitch 33 mm, equal-pitch 20 mm.

$NPSH_r$ can be computed by the equation 8.

$$NPSH_r = \frac{v_0^2}{2g} + \frac{\lambda w_0^2}{2g} \quad (8)$$

Where

$$\lambda = 1.2tg\beta_0 + (0.07 + 0.42tg\beta_0)\left(\frac{s_0}{s_{\max}} - 0.615\right) \frac{-b \pm \sqrt{b^2 - 4ac}}{2a} \quad (9)$$

where ,

v_0 - average velocity slightly before the vane inlet.

w_0 - average relative velocity near slightly before the vane inlet.

λ - blade inlet pressure drop coefficient.

β_0 - relative flow angle of the front cover flow lines.

S_0, S_{\max} - width of the vane inlet and the max width

According to the simulation results, v_0 and w_0 can be got, and combining with the equation 8 and 9, $NPSH_r$ can be computed. The results are show in table 6.

Inducers	$NPSH_r$ of the high-speed centrifugal pump / m
Equal-pitch inducer	0.5910
Long-equal-pitch inducer	0.2624
Progressive pitch inducer	0.3450
Two-long and two-short inducer	0.3691

Table 6. $NPSH_r$ of the high-speed centrifugal pump

Table 6 shows that the centrifugal pump has best cavitation performance when it is with the Long-equal-pitch inducer. Second is with Progressive pitch inducer. Third is with Two-long and two-short inducer. Fourth is with Equal-pitch inducer. This influence order on the cavitation is not same with the influence on the head. The pump with two-long and two-short inducer has highest head, but the cavitation is not the best. The reason is that the inducer is with four vanes, and the extruding coefficient is increased.

5. Cavitation performance experiment

In order to identify the cavitation performance of the pump with four different inducers, the external performance experiments are carried out. The experiment equipment is shown in

Fig. 8. And the test pump is shown in Fig.9. The test inducers are shown in Fig.10. The pump's performance curves under the design point are shown in Fig.11.

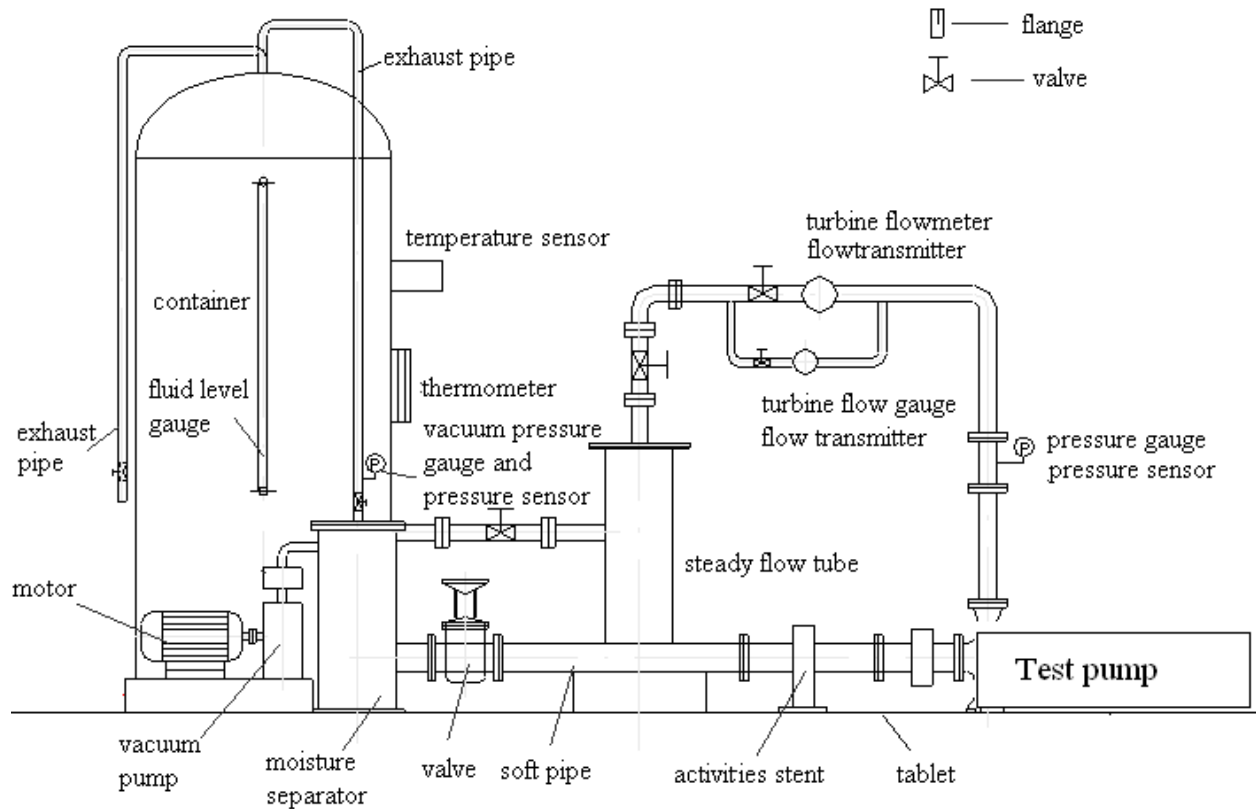


Fig. 8. The experiment equipment

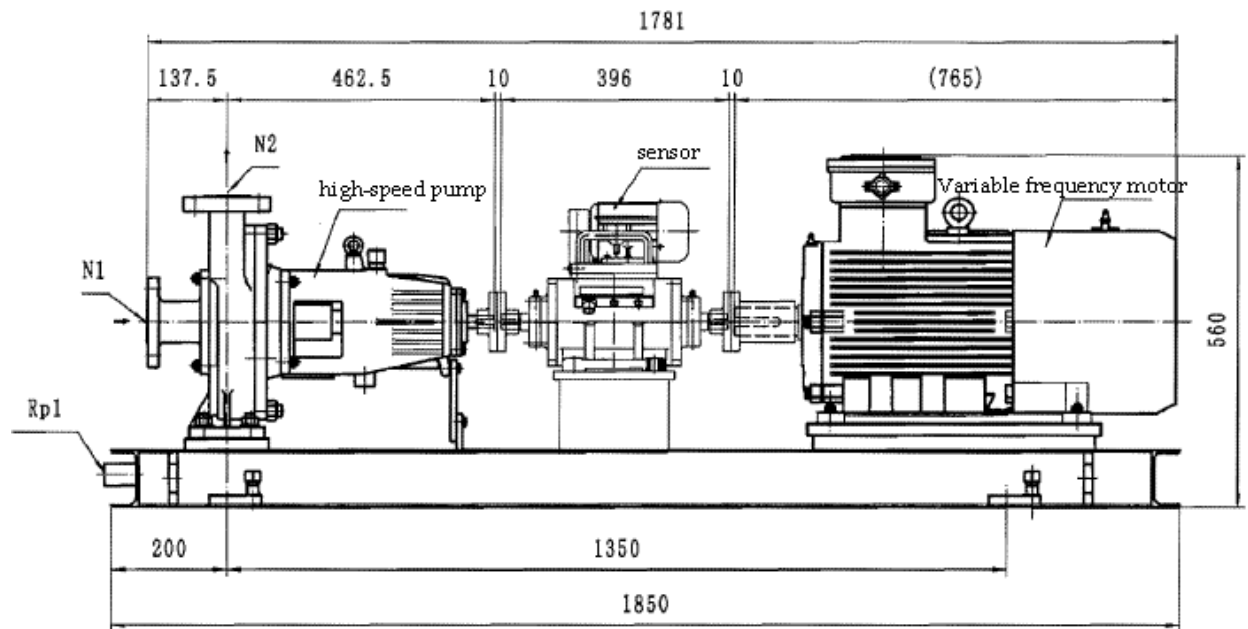


Fig. 9. The test pump

The parameters of the high-speed centrifugal pump are described as previous. The sensor's rated torque is $100\text{N}\cdot\text{m}$. The operation range of the speed of rotation is from 0 to 10000 rpm. The variable frequency motor's rotation is from 0 to 9000r/min, and its max power is 22kw. It is controlled by an inverter.



Fig. 10. Test inducers

Test inducers are made by the rapid prototyping. The inducers are respectively equal-pitch inducer, long equal-pitch inducer, progressive pitch inducer, and the inducer with two long and two short blades.

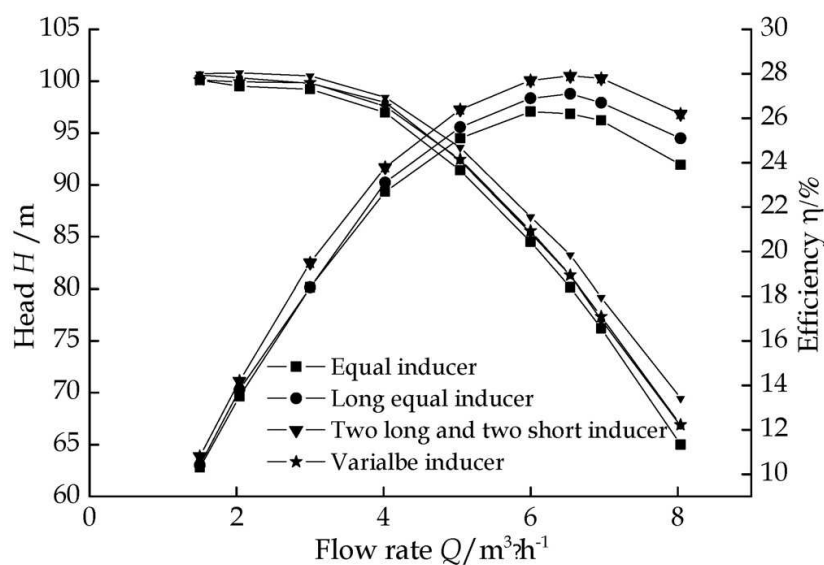


Fig. 11. External performance curves

The H-Q performance curve has no positive slope whether it is with any inducer. On the design work condition, the heads and efficiencies are listed in table 7.

By the contrast of the head in the Table 7 (got by the experiment) and Table 5 (got by the simulation), it shows that the two values are very close, and has the same law. The pump has highest head when it is with the two-long and two-short inducer, second is with the long-equal-pitch inducer, third is with the progressive pitch inducer, and fourth is with the equal-pitch inducer.

Fig.12 shows head variation with the decrease of the inlet pressure

Inducers	Head /m	Efficiency/%
Equal-pitch inducer	96.97	22.7
Long-equal-pitch inducer	97.96	23.8
Progressive pitch inducer	97.58	23.1
Two-long and two-short inducer	98.45	23.8

Table 7. Heads and efficiencies of the high-speed centrifugal pump

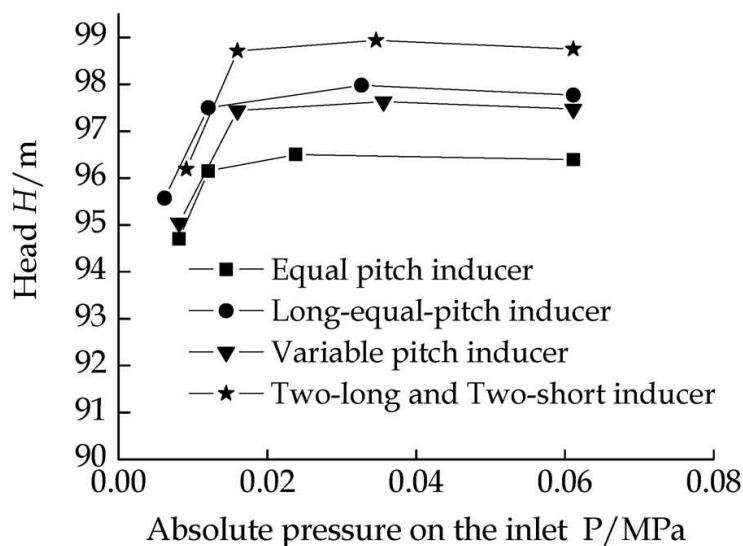


Fig. 12. Head variation with the decrease of the inlet pressure

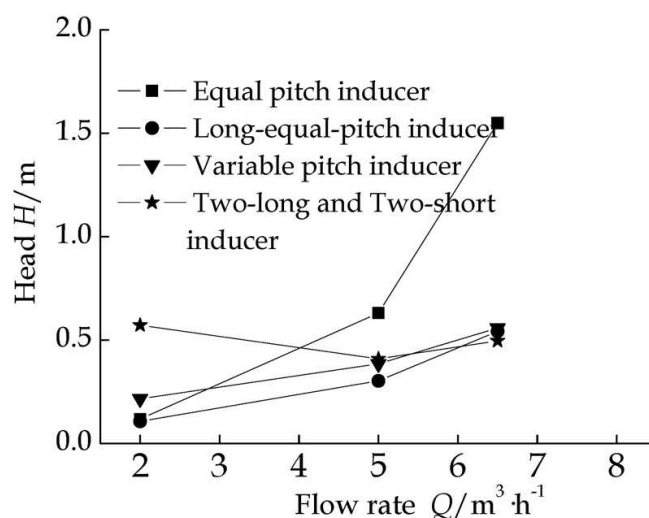
With the decrease of the inlet pressure, the head of the pump will decline suddenly. From Fig.12, the critical point can be got, and the value is listed in table 8.

Inducers	Absolute pressure on the inlet P/Pa
Equal-pitch inducer	10103.07357
Long-equal-pitch inducer	8141.311713
Progressive pitch inducer	15988.35915
Two-long and two-short inducer	9067.163601

Table 8. Absolute pressure on the inlet

Figure 13 shows that at low flow rate, the cavitation performance of the equal-pitch inducer is not so good, while the long-equal-pitch inducer is good. At high flow rate, the two-long and two-short inducer has best cavitation performance. While the progressive pitch inducer has good cavitation performance whether at the low flow rate or high flow rate. On the design work condition, the *NPSHr* values are shown in table 9.

Compared with the values got by the simulation in Table 6, it shows that the *NPSHr* values are very close. The long equal-pitch inducer has best cavitation performance, second is progressive pitch inducer, third is two-long two-short inducer, and last is equal-pitch inducer.

Fig. 13. $NPSH_r$ - Q curve

Inducers	$NPSH_r$ of the high-speed centrifugal pump / m
Equal-pitch inducer	0.6305
Long equal-pitch inducer	0.3026
Progressive pitch inducer	0.3852
Two-long and two-short inducer	0.4090

Table 9. $NPSH_r$ of the high-speed centrifugal pump

6. Conclusion

The flow of the centrifugal pump with inducers which are respectively with equal-pitch, long-equal-pitch, progressive pitch, two-long and two-short blades are numerically simulated. The corresponding external performance experiment is carried out. From the above, the conclusions can be got as follows:

1. The comparison of the simulation and experiment shows that the trend of every performance curve is similar. For design work conditions, the results obtained from the simulation and experiment are close.
2. The high-speed pump with different inducers has different heads. The head of the high-speed centrifugal pump reaches its highest with two long and two short inducers. The second highest head is achieved with a long equal-pitch inducer. The third highest is realized with the variable pitch inducer, and the fourth is achieved with an equal pitch inducer.
3. Adding an inducer can improve pump cavitation performance. The long equal pitch inducer exhibits the best cavitation performance; the second is the progressive pitch inducer; the third is the device with two long and two short inducers, and the last is the equal pitch inducer.
4. The pump with an inducer's head is mainly relevant to the helical pitch L . So when design inducer, the helical pitch L should be longer appropriately.
5. The research can supply significant guide for inducer's design.

7. Appendix

Notation

a_1, a_2	liquid-phase/ gas-phase volume fraction
F	volume force (N)
H	head (m)
\dot{m}	cavitation effect of mass transfer
n	rotation speed (r min ⁻¹)
Q	flux (m ³ h ⁻¹)
v	mass mean velocity (m s ⁻¹)
v_1, v_2	liquid-phase/ gas-phase velocity (m s ⁻¹)
ρ	mixture density (kg m ⁻³)
ρ_1, ρ_2	liquid-/ gas-phase density (kg m ⁻³)
μ_1, μ_2	liquid-/ gas-phase dynamic viscosity (pa s)

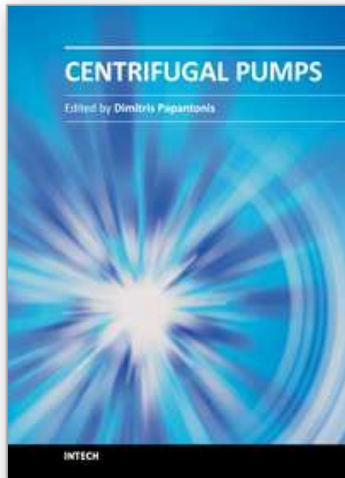
8. Acknowledgment

This project is supported by National Science and Technology Support (50879080, 50976105), Zhejiang Science and Technology Support (Y1100013)

9. References

- Ait-Bouziad, Y., Farhat, M., Guennoun, F., Kueny, J. L., Avellan, F., and Miyagawa, K. Physical modelling and simulation of leading edge cavitation: application to an industrial inducer. *Fifth International Symposium on Cavitation*, 2003, Osaka, Japan.
- Ait-Bouziad, Y., Farhat, M., Kueny, J. L., Avellan, F., and Miyagawa, K. Experimental and numerical cavitation flow analysis of an industrial inducer. *22th IARH Symposium on Hydraulic Machinery and Systems*, 2004, Stockholm, Sweden.
- Benoît Pouffary, Regiane Fortes Patella, Jean-Luc Reboud, Pierre-Alain Lambert. Numerical simulation of 3d cavitating flows: analysis of cavitation head drop in turbomachinery. *ASME J. Fluids Eng.*, Vol.130, (June 2008), pp. 061301.1-10. ISSN 0021-9223
- Benoît Pouffary, Regiane Fortes Patella, Jean-Luc Reboud, and Pierre-Alain Lambert. Numerical analysis of cavitation instabilities in inducer blade cascade. *Journal of Fluids Engineering*, Vol. 130, (April 2008), 041302-1-8. ISSN: 0021-9223
- Cui Bao-lin, Chen Ying, and Zhu Zuchao. Numerical simulation and theoretical analysis of high-speed centrifugal pump with inducer. Hangzhou: Zhejiang university, 2006.
- Coutier-Delgosha, O., Courtot, Y., Jousselin, F., and Reboud, J. L.. Numerical simulation of the unsteady cavitation behavior of an inducer blade cascade. *AIAA J.*, Vol 42, No. 3, (2004), pp:560-56.
- Ding Xi-ning, LIANG Wu-ke. Numerical simulation of two-phases cavitation flow in equal-pitch inducer. *Journal of Water Resources and Water Engineering*. Vol.26, No.5, (December 2009),pp.170-172. ISSN 1672-643X

- Fortes Patella, R., Coutier-Delgosha, O., Perrin, J., and Reboud, J. L. A numerical model to predict unsteady cavitating flow behaviour in inducer blade cascades. *ASME J. Fluids Eng.*, Vol.129, No 1, (2007), pp: 128–135. ISSN 0021-9223
- Guo Xiaomei, ZHU Zuchao, and CUI Baoling, Analysis of cavitation and flow computation of inducer. *Journal of Mechanical Engineering*. Vol.46, No.4, (April 2010), pp.122-128, ISSN 0577-6686
- Hosangadi, A., and Ahuja, V. Simulations of cavitating flows using hybrid unstructured meshes. *ASME J. Fluids Eng.*, 2001, 123, pp. 331–340. ISSN: 0021-9223
- Hosangadi, A., Ahuja, V., and Ungewitter, R. J. Numerical study of a flat plate inducer: comparison of performance in liquid hydrogen and water. *Sixth International Symposium on Cavitation, CAV2006*, Wageningen, September, 2006. The Netherlands
- Kong Fanyu, Zhang Hongli, Zhang Xufeng, and Wang Zhiqiang. Design on variable-pitch inducer based on numerical simulation for cavitation flow. *Journal of Drainage and Irrigation Machinery Engineering*, Vol.28, No.1, (January 2010), pp:12-17, ISSN 1674-8530
- Kunz, R. F., Boger, D. A., Stinebring, D. R., Chyczewski, T. S., Lindau, J. W., and Gibeling, H. J. A preconditioned navier–stokes method for two-phase flows with application to cavitation. *Comput. Fluids*, 29(8), 2000, pp:849–875. ISSN 0045-7930
- Langthjem M A and olhoff N. A numerical study of flow-induced noise in a two-dimensional centrifugal pump. Part I Hydrodynamics. *Journal of Fluids and Structures*, 2004 (19) pp:349-368, ISSN 0889-9746
- Li W G. Effect of volute tongue on unsteady flow in a centrifugal pump. *International Journal of Turbo & Jet Engines*, 2004 (21) pp:223-231, ISSN 0334-0082
- Li Yaojun, and Wang Fujun. Numerical investigation of performance of an axial-flow pump with inducer. *Journal of Hydrodynamics*. 2007,9(6): 705-711. ISSN : 1001-6058
- Medvitz, R. B., Kunz, R. F., Boger, D. A., Lindau, J. W., Yocum, A. M., and Pauley, L. L. Performance analysis of cavitating flow in centrifugal pumps using multiphase CFD. *ASME-FEDSM*, 2001,01, New Orleans
- Mejri, I., Bakir, F., Rey, R., and Belamri, T. Comparison of computational results obtained from a homogeneous cavitation model with experimental investigations of three inducers. *ASME J. Fluids Eng.*, 2006, 128, pp.1308–1323. ISSN: 0021-9223
- OkitaK, UgajinH, and MatsumotoY. Numerical analysis of the influence of the tip clearance flows on the unsteady cavitating flows in a three-dimensional inducer. *Journal of Hydrodynamics*, Vol 21, No.1, (2009) pp:34-40, ISSN 1001-6058
- Tang Fei, Li Jiawen, Chen Hui, LI Xiangyang, and Xuan Tong. Study on cavitation performance of inducer with annulus inlet casing. *Journal of Mechanical Engineering*, Vol 47, No.4, (February 2011), pp:171-176, ISSN 0577-6686
- Wang Jian-ying, and Wang Pei-dong. Application of screw inducer used in high-performance centrifugal pump. *Gas Turbine Experiment and Research*. Vol.19, No.2, (May 2006), pp.43-46, ISSN 1672-2620
- Yuan Dan-qing, Liu Ji-chun, Cong Xiao-qing, and Wang Guan-jun. Numerical calculation of cavitation for inner flow field of variable-pitch inducer. *Drainage and Irrigation Machinery*, Vol.26, No.5, (August 2008), pp:42-45. ISSN 1674-8530



Centrifugal Pumps

Edited by Dr. Dimitris Papantonis

ISBN 978-953-51-0051-5

Hard cover, 106 pages

Publisher InTech

Published online 24, February, 2012

Published in print edition February, 2012

The structure of a hydraulic machine, as a centrifugal pump, is evolved principally to satisfy the requirements of the fluid flow. However taking into account the strong interaction between the pump and the pumping installation, the need to control the operation, the requirement to operate at best efficiency in order to save energy, the provision to improve the operation against cavitation and other more specific but very interesting and important topics, the object of a book on centrifugal pumps must cover a large field. The present book examines a number of these more specific topics, beyond the contents of a textbook, treating not only the pump's design and operation but also strategies to increase energy efficiency, the fluid flow control, the fault diagnosis.

How to reference

In order to correctly reference this scholarly work, feel free to copy and paste the following:

Xiaomei Guo, Zuchao Zhu, Baoling Cui and Yi Li (2012). Analysis of Cavitation Performance of Inducers, Centrifugal Pumps, Dr. Dimitris Papantonis (Ed.), ISBN: 978-953-51-0051-5, InTech, Available from: <http://www.intechopen.com/books/centrifugal-pumps/analysis-of-cavitation-performance-of-inducers>

INTECH
open science | open minds

InTech Europe

University Campus STeP Ri
Slavka Krautzeka 83/A
51000 Rijeka, Croatia
Phone: +385 (51) 770 447
Fax: +385 (51) 686 166
www.intechopen.com

InTech China

Unit 405, Office Block, Hotel Equatorial Shanghai
No.65, Yan An Road (West), Shanghai, 200040, China
中国上海市延安西路65号上海国际贵都大饭店办公楼405单元
Phone: +86-21-62489820
Fax: +86-21-62489821

© 2012 The Author(s). Licensee IntechOpen. This is an open access article distributed under the terms of the [Creative Commons Attribution 3.0 License](#), which permits unrestricted use, distribution, and reproduction in any medium, provided the original work is properly cited.

IntechOpen

IntechOpen