

# We are IntechOpen, the world's leading publisher of Open Access books Built by scientists, for scientists

**4,800**

Open access books available

**122,000**

International authors and editors

**135M**

Downloads

Our authors are among the

**154**

Countries delivered to

**TOP 1%**

most cited scientists

**12.2%**

Contributors from top 500 universities



**WEB OF SCIENCE™**

Selection of our books indexed in the Book Citation Index  
in Web of Science™ Core Collection (BKCI)

Interested in publishing with us?  
Contact [book.department@intechopen.com](mailto:book.department@intechopen.com)

Numbers displayed above are based on latest data collected.

For more information visit [www.intechopen.com](http://www.intechopen.com)



# Sensorless Vector Control of Induction Motor Drive - A Model Based Approach

Jogendra Singh Thongam<sup>1</sup> and Rachid Beguenane<sup>2</sup>

<sup>1</sup>*Department of Renewable Energy Systems,  
STAS Inc., Chicoutimi, QC*

<sup>2</sup>*Department of ECE, Royal Military College,  
Kingston, ON  
Canada*

## 1. Introduction

Induction machines are more rugged, compact, cheap and reliable in comparison to other machines used in similar applications. Vector controlled induction motor drive outperforms the dc motor drive because of higher transient current capability, increased speed range and lower rotor inertia.

Sensors widely used in electric drives degrade the reliability of the system especially in hostile environments and require special attention to electrical noise. Moreover, it is difficult to mount sensors in certain applications in addition to extra expenses involved. Therefore, a lot of researches are underway to develop accurate speed estimation techniques. With sensorless vector control we have a decoupled control structure similar to that of a separately excited dc motor retaining the inherent ruggedness of the induction motor at the same time. Speed sensorless control technique first appeared in (Abbondante & Brennen, 1975). The commonly used methods for speed estimation are Model Reference Adaptive System (MRAS) (Schauder, 1992; Tajima & Hori, 1993; Peng & Fukao, 1994; Choy et al., 1996), Neural Networks (Simoes & Bose, 1995; Fodor et al., 1995; Ben-Brahim & Kudor, 1995; Kim et al., 2001; Toqeer & Bayindir, 2003; Haghgoeian et al., 2005), Extended Kalman Filter (EKF) (Kim et al., 1994, Comnac et al., 2001; Ma & Gui, 2002; Du et al., 1995; Thongam & Thoudam, 2004) and Nonlinear Observer (Bodson et al., 1995; Liu et al., 2001, Pappano et al., 1998).

The aim of this chapter is to provide with a brief overview of high performance sensorless induction motor drive. There exist two approaches to speed estimation for sensorless control of induction machine: non model based approach and model based approach. The non model based technique tracks a machine anisotropy: either saturation for flux estimation or rotor slotting for rotor position estimation, whereas the model based technique rely mostly on back emf voltage associated with fundamental component excitation of the machine. Model-based observers are considered very well adapted for state estimation and allow, in most cases, a stability proof and a methodology to tune observer gains. Among the observers the reduced order observers are more frequently implemented than the full order ones as they don't require heavy computations. Two sensorless vector control strategies using machine model-based estimation are presented in this chapter.

## 2. Speed estimation

Rotor speed has been considered as a constant by many researchers in speed estimation problem (Schauder, 1992; Tajima & Hori, 1993; Peng & Fukao, 1994; Kim et al., 1994; Comnac et al., 2001; Ma & Gui, 2002; Du et al., 1995; Minami et al., 1991; Veleyez-Reyes & Verghese., 1992; Veleyez-Reyes et al., 1989). The idea is that the speed changes slowly compared to electrical variables. Adopting such an approach allowed speed estimation without requiring the knowledge of mechanical parameters of the drive system such as load torque, inertia etc. In (Schauder, 1992; Tajima & Hori, 1993; Peng & Fukao, 1994) speed was estimated using model reference adaptive system considering it as an unknown constant parameter. In (Kim et al., 1994; Comnac et al., 2001; Ma & Gui, 2002; Du et al., 1995) the speed was considered as an unknown constant state of the machine and extended kalman filter (EKF) was used to estimate it. Recursive least square estimation method was used in (Minami et al., 1991; Veleyez-Reyes & Verghese, 1992; Veleyez-Reyes et al., 1989) for speed estimation considering speed as an unknown constant parameter and found out the value of estimated speed that best fits the measured and calculated data in the dynamic equations of the motor.

In this section we present a sensorless vector control strategy using machine model-based speed estimation (Thongam & Ouhrouche, 2007). The proposed method does not require taking derivative of the measured signals unlike that of (Peng & Fukao, 1994; Minami et al., 1991; Veleyez-Reyes & Verghese, 1992; Veleyez-Reyes et al., 1989). The method is also simpler to implement than implementing EKF. In this method the model of the motor used for estimation is derived by introducing a new variable which is a function of rotor flux and speed assuming that rotor speed varies slowly in comparison to electrical states and hence its derivative can be conveniently equated to zero in the machine model used for estimation. The sensorless method presented here in this chapter is based on observing this new variable. A reduced order observer is implemented for estimating the new variable using which the rotor speed is estimated.

### 2.1 Induction machine model

The induction motor model in stationary stator reference frame  $\alpha - \beta$  may be written in vector matrix form as

$$\frac{d\boldsymbol{\psi}_r}{dt} = \mathbf{A}_{11}\boldsymbol{\psi}_r + \mathbf{A}_{12}\mathbf{i}_s \quad (1)$$

$$\frac{d\mathbf{i}_s}{dt} = \mathbf{A}_{21}\boldsymbol{\psi}_r + \mathbf{A}_{22}\mathbf{i}_s + \mathbf{A}_{23}\mathbf{v}_s \quad (2)$$

where  $\mathbf{A}_{11} = -(R_r/L_r)\mathbf{I} + \omega\mathbf{J}$ ,  $\mathbf{A}_{12} = (L_m R_r/L_r)\mathbf{I}$ ,  $\mathbf{A}_{21} = \frac{L_m}{\sigma L_s L_r} \{ (R_r/L_r)\mathbf{I} - \omega\mathbf{J} \}$ ,

$$\mathbf{A}_{22} = -\left\{ R_s / (\sigma L_s) + R_r L_m^2 / (\sigma L_s L_r^2) \right\} \mathbf{I}, \quad \mathbf{A}_{23} = 1 / (\sigma L_s) \mathbf{I}, \quad \mathbf{I} = \begin{bmatrix} 1 & 0 \\ 0 & 1 \end{bmatrix}, \quad \mathbf{J} = \begin{bmatrix} 0 & -1 \\ 1 & 0 \end{bmatrix},$$

$\boldsymbol{\psi}_r = [\psi_{r\alpha} \quad \psi_{r\beta}]^T$  is the rotor flux,  $\mathbf{i}_s = [i_{s\alpha} \quad i_{s\beta}]^T$  is the stator current,  $\mathbf{v}_s = [v_{s\alpha} \quad v_{s\beta}]^T$  is the stator voltage and  $\sigma = 1 - L_m^2 / (L_s L_r)$  is the leakage coefficient.

Now, we introduce a new quantity into the motor model which when introduced will make the right hand side of conventional motor model given by equations (1) and (2) independent of the unknowns – the rotor flux and speed. Let's define the new quantity as

$$\mathbf{Z} = -\mathbf{A}_{11}\boldsymbol{\psi}_r \quad (3)$$

A new motor model is obtained after introducing the new quantity as given below:

$$\frac{d\boldsymbol{\psi}_r}{dt} = \mathbf{A}_{12}\mathbf{i}_s + \mathbf{A}_{14}\mathbf{Z} \quad (4)$$

$$\frac{d\mathbf{i}_s}{dt} = \mathbf{A}_{22}\mathbf{i}_s + \mathbf{A}_{23}\mathbf{v}_s + \mathbf{A}_{24}\mathbf{Z} \quad (5)$$

$$\frac{d\mathbf{Z}}{dt} = \mathbf{A}_{32}\mathbf{i}_s + \mathbf{A}_{34}\mathbf{Z} \quad (6)$$

where  $\mathbf{A}_{14} = -\mathbf{I}$ ,  $\mathbf{A}_{24} = \{L_m / (\sigma L_s L_r)\} \mathbf{I}$ ,  $\mathbf{A}_{32} = (L_m R_r^2 / L_r^2) \mathbf{I} - \omega (L_m R_r / L_r) \mathbf{J}$  and  $\mathbf{A}_{34} = \mathbf{A}_{11}$ .

## 2.2 Observer structure and speed estimation

The proposed speed estimation algorithm is based on observing the newly defined quantity which is a function of rotor flux and speed. Equation (5) and (6) are used for constructing a Gopinath's reduced order observer (Gopinath, 1971) for estimating the newly defined quantity. The observer is as given below

$$\frac{d\hat{\mathbf{Z}}}{dt} = \mathbf{A}_{32}\mathbf{i}_s + \mathbf{A}_{34}\hat{\mathbf{Z}} + \mathbf{G} \left( \frac{d\mathbf{i}_s}{dt} - \frac{d\hat{\mathbf{i}}_s}{dt} \right) \quad (7)$$

where  $\mathbf{G} = \begin{bmatrix} g_1 & -g_2 \\ g_2 & g_1 \end{bmatrix}$  is the observer gain. Using equation (5) for  $\frac{d\hat{\mathbf{i}}_s}{dt}$  the observer equation becomes

$$\frac{d\hat{\mathbf{Z}}}{dt} = \mathbf{A}_{32}\mathbf{i}_s + \mathbf{A}_{34}\hat{\mathbf{Z}} + \mathbf{G} \left( \frac{d\mathbf{i}_s}{dt} - \mathbf{A}_{22}\mathbf{i}_s - \mathbf{A}_{23}\mathbf{v}_s - \mathbf{A}_{24}\hat{\mathbf{Z}} \right) \quad (8)$$

The observer poles can be placed at the desired locations in the stable region of the complex plane by properly choosing the values of the elements of the  $\mathbf{G}$  matrix. In order to avoid taking derivative of the stator current in the algorithm we introduce another new quantity

$$\mathbf{D} = \hat{\mathbf{Z}} - \mathbf{G}\mathbf{i}_s \quad (9)$$

Finally, the observer is of the following form:

$$\frac{d}{dt} \mathbf{F} = (\mathbf{A}_{32} + \mathbf{A}_{34}\mathbf{G} - \mathbf{G}\mathbf{A}_{22} - \mathbf{G}\mathbf{A}_{24}\mathbf{G})\mathbf{i}_s - \mathbf{G}\mathbf{A}_{23}\mathbf{v}_s + (\mathbf{A}_{34} - \mathbf{G}\mathbf{A}_{24})\mathbf{D} \quad (10)$$

$$\hat{\mathbf{Z}} = \mathbf{D} + \mathbf{G}i_s \quad (11)$$

The block diagram of the  $\mathbf{Z}$  observer is shown in Fig. 1.

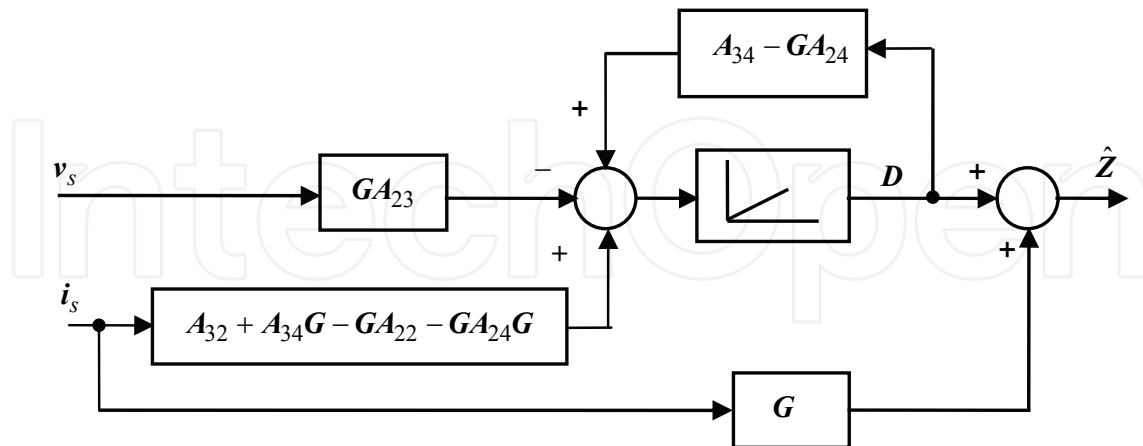


Fig. 1. Block diagram of  $\mathbf{Z}$  observer

Assuming no parameter variation and no speed error, the equation for error dynamics is given by

$$\frac{d}{dt} \tilde{\mathbf{Z}} = \frac{d}{dt} (\mathbf{Z} - \hat{\mathbf{Z}}) = (\mathbf{A}_{34} - \mathbf{A}_{24}\mathbf{G}) \tilde{\mathbf{Z}} \quad (12)$$

Eigenvalues of  $(\mathbf{A}_{34} - \mathbf{A}_{24}\mathbf{G})$  are the observer poles which are as given below:

$$P_{obs1,2} = -\left(\frac{R_r}{L_r} + \frac{L_m}{\sigma L_s L_r} g_1\right) \pm j\left(\omega - \frac{L_m}{\sigma L_s L_r} g_2\right) \quad (13)$$

The desired observer dynamics can be imposed by proper selection of observer gain  $\mathbf{G}$ .

Next, let's see how the rotor speed is computed. It can be seen that the observed quantity is a function of rotor flux and speed. Performing matrix multiplication of  $\psi_r^T \mathbf{J}$  with equation (3) we have

$$Z_\alpha \psi_{r\beta} - Z_\beta \psi_{r\alpha} = (\psi_{r\alpha}^2 + \psi_{r\beta}^2) \omega \quad (14)$$

This is a simple equation which does not involve derivative or integration. To use it directly for speed computation we need to know the rotor flux; and as for  $Z_\alpha$  and  $Z_\beta$  we can use the estimated values. The required flux is obtained from the reference. Rearranging the above equation we have the equation used for rotor speed computation as given by

$$\hat{\omega} = \frac{\hat{Z}_\alpha \psi_{r\beta}^* - \hat{Z}_\beta \psi_{r\alpha}^*}{\psi_{r\alpha}^{*2} + \psi_{r\beta}^{*2}} \quad (15)$$

The coefficient matrices  $\mathbf{A}_{32}$  and  $\mathbf{A}_{34}$  in the observer equation are updated with the estimated values of rotor speed.

It is to be noted here that the model of the motor used in implementing the observer algorithm has been developed assuming that the derivative of the rotor speed is zero. It is valid to make such an assumption since the dynamics of rotor speed is much slower than that of electrical states. Moreover, such an assumption allows estimation without requiring the knowledge of mechanical quantities of the drive such as load torque, inertia etc.

### 2.3 Simulation results

Simulation is carried out in order to validate the speed estimation algorithm presented. The block diagram of the sensorless indirect vector controlled induction motor drive incorporating the proposed speed estimator is shown in Fig. 2. The results of simulation are shown in Fig. 3 - Fig. 5.

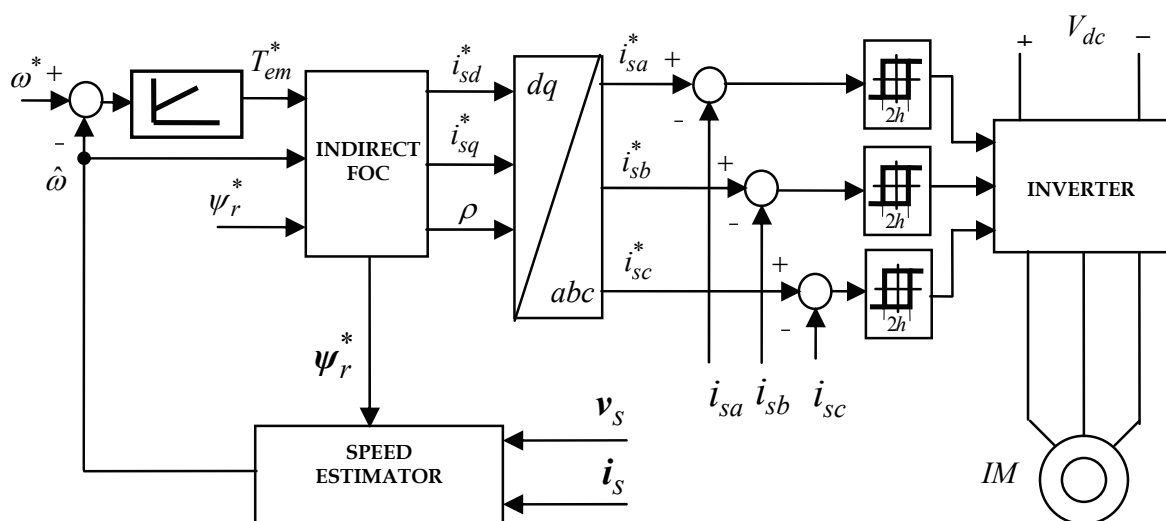


Fig. 2. Sensorless indirect VC induction motor drive

Initially, the drive is run at no load. It is accelerated from rest to 150 rad/s at 0.15 sec. and then, the speed is reversed at 2.5 sec. The speed is reversed again at 5.5 sec. The speed of the motor ( $\omega$ ), estimated speed ( $\hat{\omega}$ ) and reference speed ( $\omega^*$ ) are shown in Fig. 3 (a). Fig. 3 (b) shows speed estimation error ( $\omega - \hat{\omega}$ ). The newly defined quantity ( $Z$ ) and its estimated value ( $\hat{Z}$ ) are shown in Fig. 3 (c) and its estimation error ( $Z - \hat{Z}$ ) is shown in Fig. 3 (d).

The estimation algorithm and the drive response are then verified under loading and unloading conditions. The unloaded drive is started at 0.15 sec and full load is applied at 1 sec; then load is completely removed at 2 s. Later, after speed reversal, full load is applied at 4 sec and the load is completely removed at 5 sec. Fig. 4 shows the speed estimation result and response of the sensorless drive system.

Then, the sensorless induction motor drive is run under fully loaded condition at various operating speeds. The drive is started at full load at 0.15 s to 150 rad/s and the speed is reduced in steps in order to observe the response of the loaded drive at various speeds. Fig. 5 shows the estimation results and response of the loaded drive.

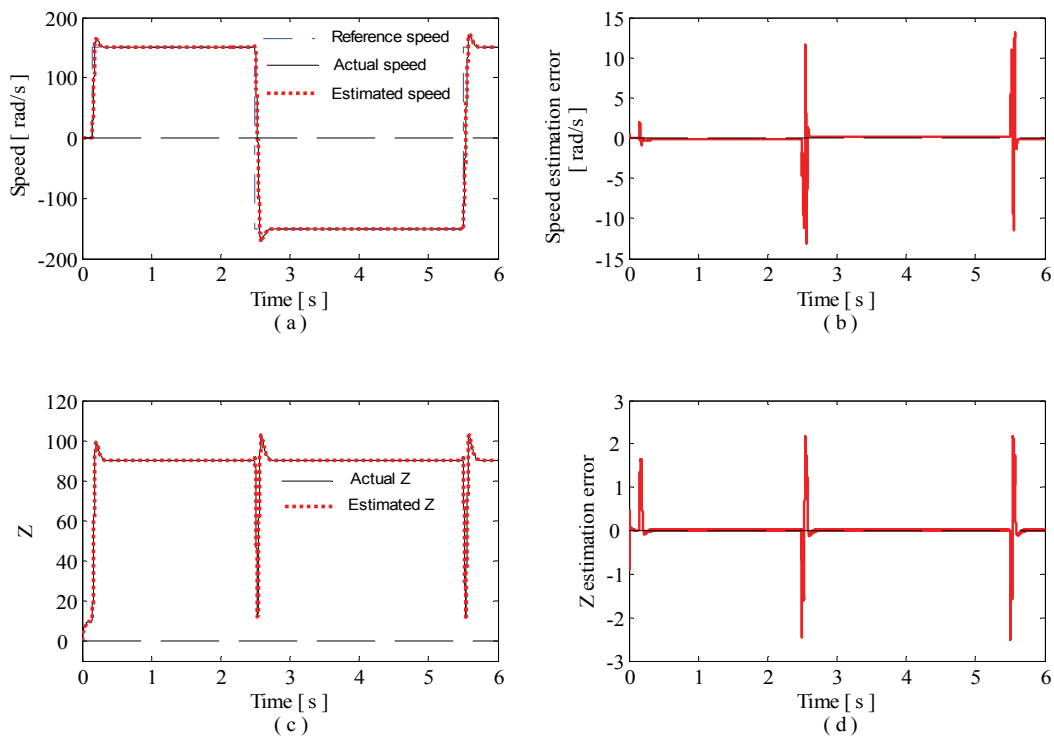


Fig. 3. Acceleration and speed reversal at no load; (a) reference, actual and estimated speeds; (b) speed estimation error; (c) actual  $Z$  and estimated  $Z$  and (d)  $Z$  estimation error

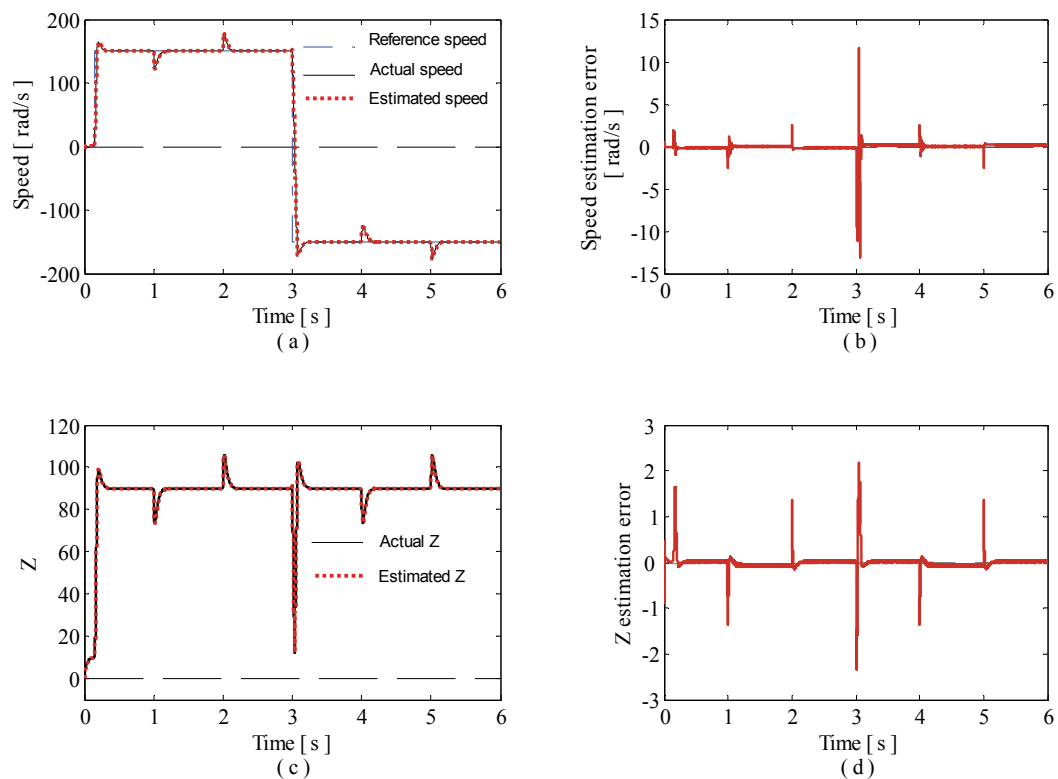


Fig. 4. Application and removal of load; (a) reference, actual and estimated speeds; (b) speed estimation error; (c) actual  $Z$  and estimated  $Z$  and (d)  $Z$  estimation error

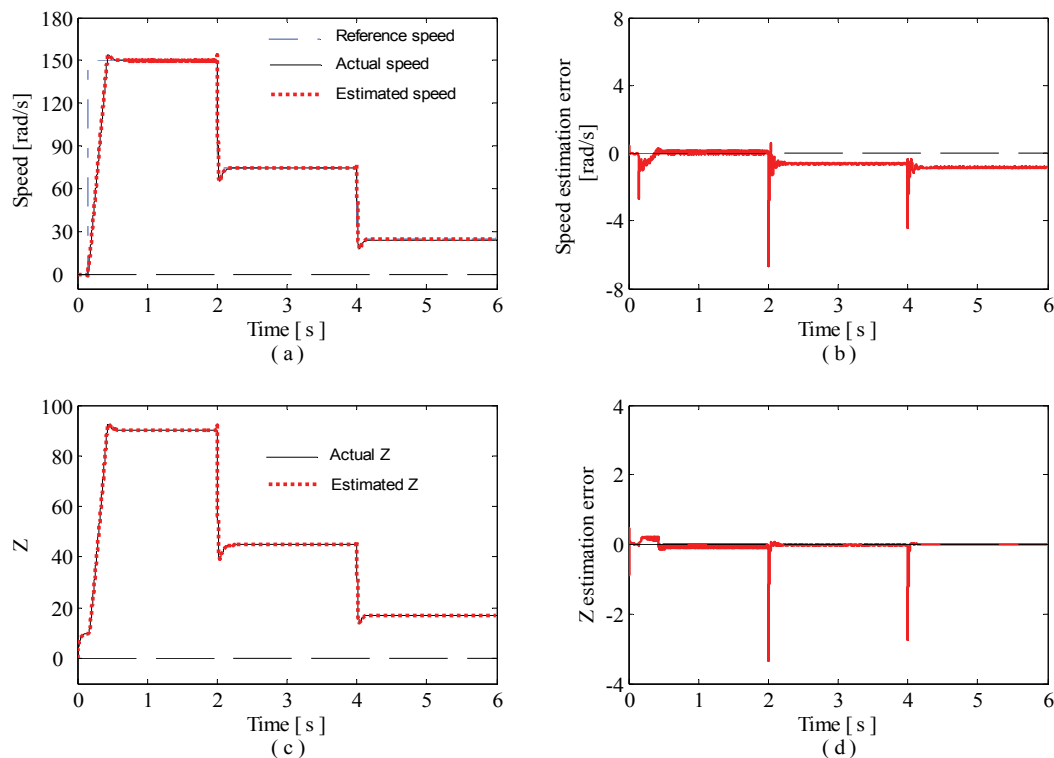


Fig. 5. Operation at full load at various speeds; (a) reference, actual and estimated speeds; (b) speed estimation error; (c) actual  $Z$  and estimated  $Z$  and (d)  $Z$  estimation error

## 2.4 Improvement in speed estimation

It is observed that the estimation algorithm presented above gives good estimation accuracy under both dynamic and steady state conditions. However, it is found that the estimation accuracy decreases with decrease in speed. This is because of the fact that the estimation algorithm uses the command flux for speed estimation and not the actual rotor flux which however is little bit different from the command value. With the reduction in speed  $Z$  decreases and therefore the flux error is more prominently visible in the estimated speed. The problem is overcome in this section by using a rotor flux observer based on the voltage model of the machine along with the observer of the newly defined quantity. This allows accurate speed estimation in various operating ranges. The speed is computed using (15) after replacing the command flux by the estimated one. Further, due to the obvious advantages of dc current regulators over ac current regulators as regards its robustness, and load and operating point independence (Rowan & Kerkman, 1986) the control system uses dc current regulators. The rotor flux estimator and the control scheme are presented in the following subsections.

### 2.4.1 Flux estimation

The voltage model of induction motor is given by

$$\psi_r = \frac{L_r}{L_m} \left\{ \int (v_s - R_s i_s) dt - \sigma L_s i_s \right\} \quad (16)$$

The rotor flux can be estimated using (16). However, the integration in (16) produces a problem of dc off-set and drift component in low speed region. Therefore, a first order low



pass filter (LPF) is used instead of integration. The phase error in the low speed region produced due to LPF is approximately compensated by adding low pass filtered reference flux with the same time constant as above, and producing the estimated rotor flux (Ohtani et al., 1992). The estimator equation is given as

$$\hat{\psi}_r = \frac{L_r}{L_m} \left\{ (\mathbf{v}_s - R_s \mathbf{i}_s) \frac{\tau}{1 + \tau s} - \sigma L_s \mathbf{i}_s \frac{\tau s}{1 + \tau s} \right\} + \Psi_r^* \frac{1}{1 + \tau s} \quad (17)$$

where  $\tau$  is the LPF time constant. The command rotor flux  $\Psi_r^*$  in (17) is obtained as follows:

$$\Psi_r^* = \begin{bmatrix} \Psi_{r\alpha}^* \\ \Psi_{r\beta}^* \end{bmatrix} = \begin{bmatrix} \Psi_r^* \cos \rho^* \\ \Psi_r^* \sin \rho^* \end{bmatrix} \quad (18)$$

where  $\Psi_r^* = L_m i_{sd}^*$  and  $\rho^*$ , the command rotor flux angle, is as given by

$$\rho^* = \int \omega_e^* dt \quad (19)$$

$\omega_e^*$ , the command rotor flux speed, is computed as given below

$$\omega_e^* = \omega_{sl}^* + \hat{\omega} \quad (20)$$

The command slip speed  $\omega_{sl}^*$  is given by

$$\omega_{sl}^* = \frac{R_r i_{qs}^*}{L_r i_{ds}^*} \quad (21)$$

### 2.4.2 Speed estimation

The equation (15) after modification is used for speed computation. In place of reference flux, estimated flux is used for speed computation as given below

$$\hat{\omega} = \frac{\hat{Z}_\alpha \hat{\psi}_{r\beta} - \hat{Z}_\beta \hat{\psi}_{r\alpha}}{\hat{\psi}_{r\alpha}^2 + \hat{\psi}_{r\beta}^2} \quad (22)$$

### 2.4.3 Simulation results

Simulation is carried out in order to verify the accuracy of the estimation algorithm and to see the response of the sensorless drive system. The block diagram of sensorless vector controlled induction motor drive incorporating the flux and speed estimators is shown in Fig. 6.

First, the sensorless drive is run at no load at various speeds to verify the performance of the observer under no load condition. The drive is started at no-load and is run at various speeds by increasing it in steps to 10 rad/s, 50 rad/s, 100 rad/s and 150 rad/s at 0.3 sec, 1.5 sec, 3 sec and 4.5 sec respectively. The speed of the motor ( $\omega$ ), estimated speed ( $\hat{\omega}$ ), reference speed ( $\omega^*$ ) and speed estimation error ( $\omega - \hat{\omega}$ ) are shown in Fig. 7 (a). Fig. 7 (b) shows the actual Z, estimated Z and Z estimation error ( $Z - \hat{Z}$ ).



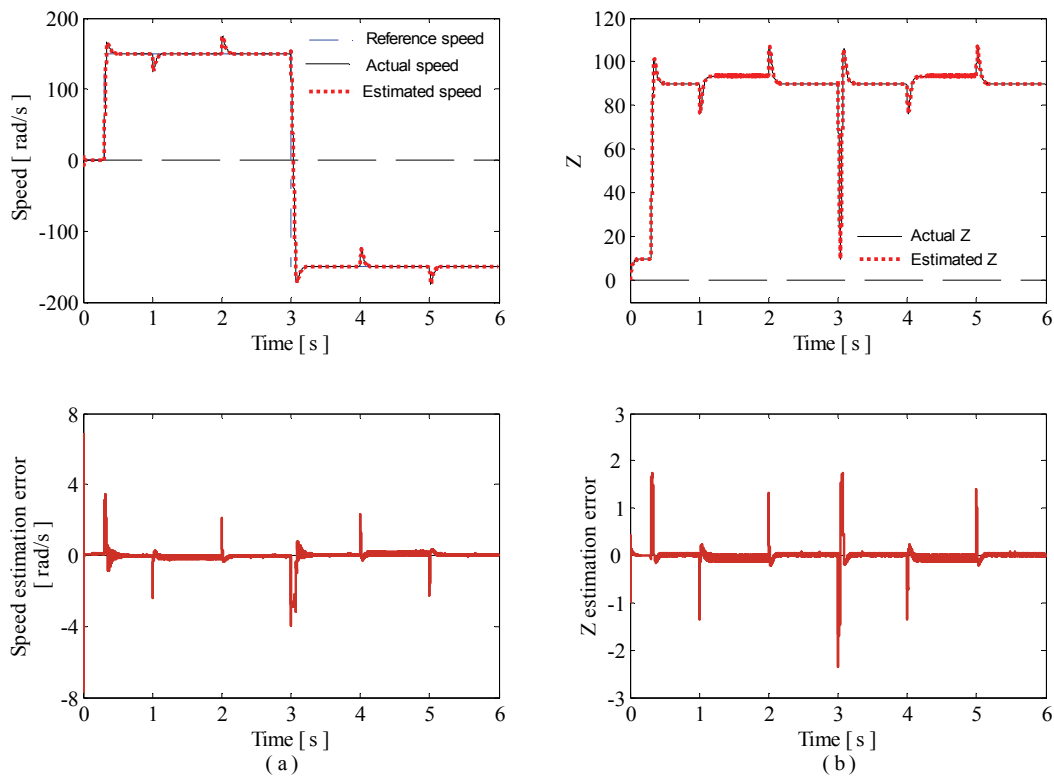


Fig. 8. Application and removal of load; (a) reference, actual, estimated speeds, and speed estimation error; (b) actual Z, estimated Z, and Z estimation error.

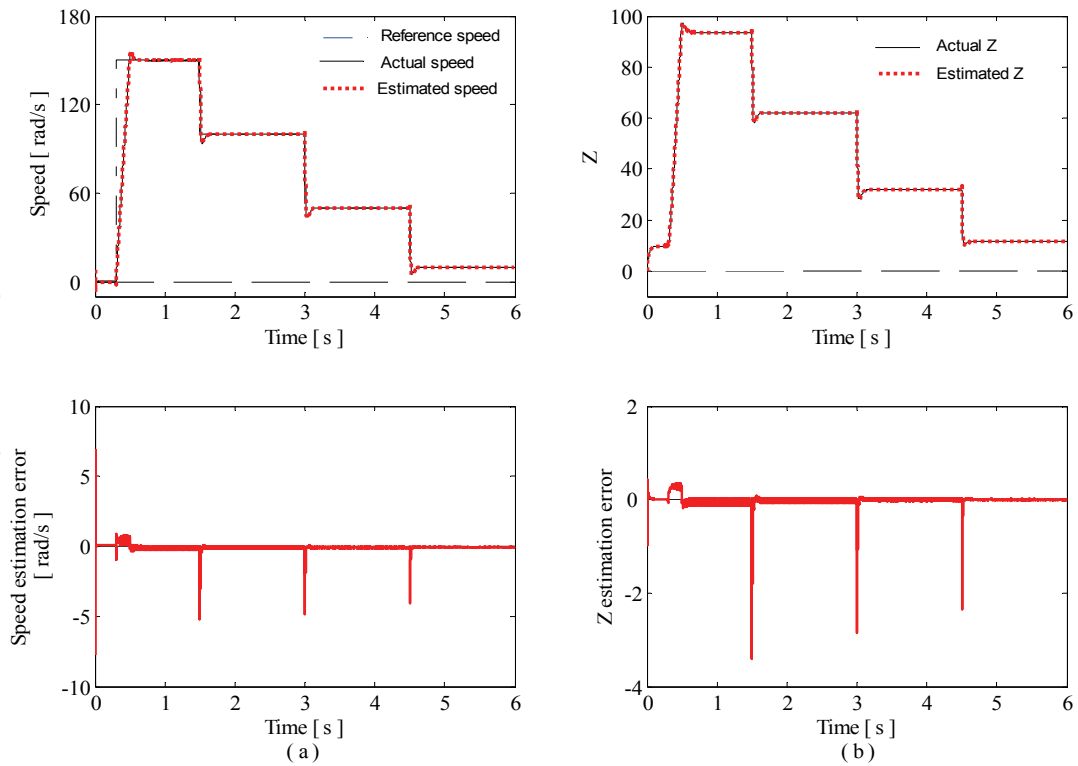


Fig. 9. Full load operation at various speeds; (a) reference, actual, estimated speeds, and speed estimation error; (b) actual Z, estimated Z, and Z estimation error.

The estimator performance and drive response are then verified under fully loaded condition of the drive at various operating speeds. The fully loaded machine is accelerated to 150 rad/s at 0.3 s, and then the speed is reduced in steps to 100 rad/s, 50 rad/s and 10 rad/s at 1.5 sec, 3 sec and 4.5 sec respectively. Fig. 9 shows the estimation results and response of the drive during the operation.

Good speed estimation accuracy was obtained under both dynamic and steady state conditions under various operating conditions and response of the VC induction motor drive incorporating the estimation algorithms was found to be good. The speed estimation algorithm presented in this section depends upon the knowledge of the rotor flux, whereas, the rotor flux estimator is independent of rotor speed and requiring only the measurable stator terminal quantities, the stator voltage and current.

### 3. Flux and speed estimation

Induction machines do not allow rotor flux to be easily measured. The current model and the voltage model are the traditional solutions, and their benefits and drawbacks are well known. Various observers for flux estimation were analyzed in the work by Verghese and Sanders (Verghese & Sanders, 1988) and Jansen and Lorenz (Jansen & Lorenz, 1994). Over the years several other have been presented, many of which include speed estimation (Tajima & Hori, 1993; Kim et al., 1994; Ohtani et al., 1992; Kubota et al., 1993; Sathiakumar, 2000; Yan et al., 2000).

Tajima & Hori (Tajima & Hori, 1993) proposed MRAS (Schauder, 1992) with novel pole allocation method for speed estimation while rotor flux estimation was done using Gopinath's observer. Extended Kalman Filter was used in (Kim et al., 1994) for estimating the rotor flux and speed using a full order model of the motor assuming that rotor speed is a constant. Ohtani et al (Ohtani et al., 1992) used the voltage model for flux estimation overcoming the problem associated with integrator and low pass filter while speed was obtained using a frequency controller. A speed adaptive flux observer was proposed in (Kubota et al., 1993) for estimating rotor flux and speed. Gopinath style reduced order observer was used in (Sathiakumar, 2000) for estimating the rotor flux while the speed was computed using an equation derived from the motor model. Yan et al (Yan et al., 2000) proposed a flux and speed estimator based on the sliding-mode control methodology.

In this section, we present a new flux estimation algorithm for speed sensorless rotor flux oriented controlled induction motor drive (Thongam & Ouhrouche, 2006). The proposed method is based on observing the variable  $Z$  introduced in Section 2 which when introduced makes the right hand side of the conventional motor model independent of rotor flux and speed. Rotor flux estimation is achieved using an equation obtained after introduction of the newly defined quantity into the Blaschke equation or commonly known as the current model; while, speed is computed using a simple equation obtained using the new quantity  $Z$ .

#### 3.1 Estimation of rotor flux and speed

The speed computation equation (22) obtained in section 2.4.2 requires the knowledge of rotor flux and  $Z$ . Here, we present a joint rotor flux and speed estimation algorithm. The block diagram of the proposed rotor flux and speed estimation algorithm is shown in Fig. 10.

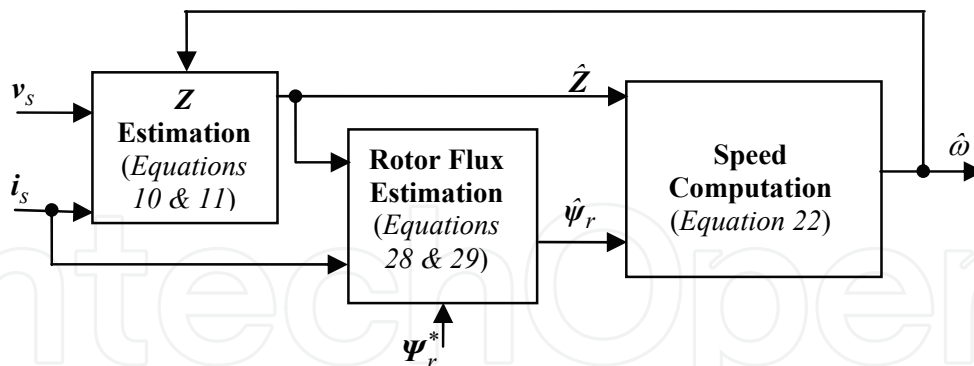


Fig. 10. Rotor flux and speed estimator

Rotor flux may be obtained directly using equation (4) which is obtained after introducing the newly defined quantity  $\mathbf{Z}$  into the Blaschke equation as

$$\hat{\psi}_r = \int (A_{12}i_s + A_{14}\mathbf{Z}) dt \quad (23)$$

However, rotor flux computation by pure integration suffers from dc offset and drift problems. To overcome the above problems a low pass filter is used instead of pure integrator and the phase error due to low pass filtering is approximately compensated by adding low pass filtered reference flux with the same time constant as used above (Ohtani et al., 1992). The equation of the proposed rotor flux estimator is given below

$$\hat{\psi}_r = \frac{\tau}{1 + \tau s} (A_{12}i_s + A_{14}\mathbf{Z}) + \frac{1}{1 + \tau s} \Psi_r^* \quad (24)$$

where  $\tau$  is the LPF time constant. The command rotor flux  $\Psi_r^*$  is obtained as follows

$$\Psi_r^* = \begin{bmatrix} \Psi_{r\alpha}^* \\ \Psi_{r\beta}^* \end{bmatrix} = \Psi_r^* \begin{bmatrix} \cos \rho^* \\ \sin \rho^* \end{bmatrix} = L_m i_{sd}^* \begin{bmatrix} \cos \rho^* \\ \sin \rho^* \end{bmatrix} \quad (25)$$

The command rotor flux angle  $\rho^*$  is obtained by integrating the command rotor flux speed as given by

$$\rho^* = \int \omega_e^* dt = \int (\omega_{sl}^* + \hat{\omega}) dt \quad (26)$$

The command slip speed  $\omega_{sl}^*$  is given by

$$\omega_{sl}^* = \frac{R_r i_{qs}^*}{L_r i_{ds}^*} \quad (27)$$

We know that the equation of the back emf is given by:

$$\mathbf{e} = \frac{L_m}{L_r} \frac{d\psi_r}{dt} = \frac{L_m}{L_r} (A_{12}i_s + A_{14}\mathbf{Z}) \quad (28)$$

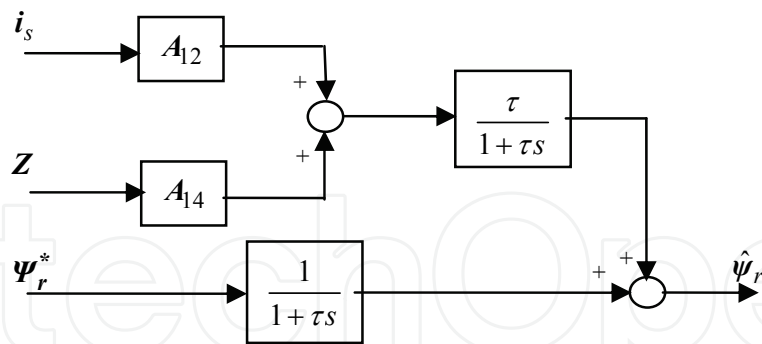


Fig. 11. Rotor Flux Estimator

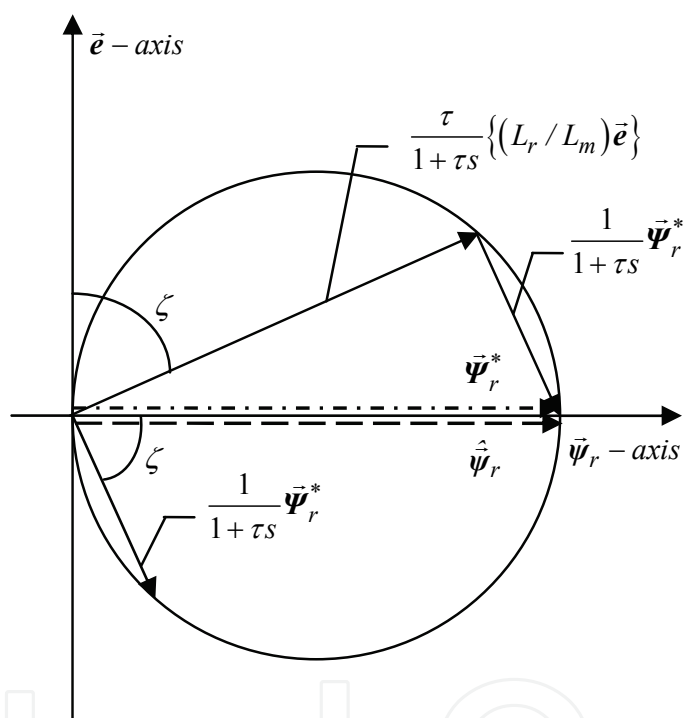


Fig. 12. Obtaining estimated rotor flux

Now, equation (24) may also be written as

$$\hat{\psi}_r = \frac{\tau}{1 + \tau s} \left( \frac{L_r}{L_m} \mathbf{e} \right) + \frac{1}{1 + \tau s} \boldsymbol{\psi}_r^* \quad (29)$$

Block diagram of the rotor flux estimator is shown in Fig. 11. Fig.12 explains how estimated flux is obtained using equation (29).

### 3.2 Simulation results

Simulation is carried out in order to validate the performance of the proposed flux and speed estimation algorithm. The proposed rotor flux and speed estimation algorithm is



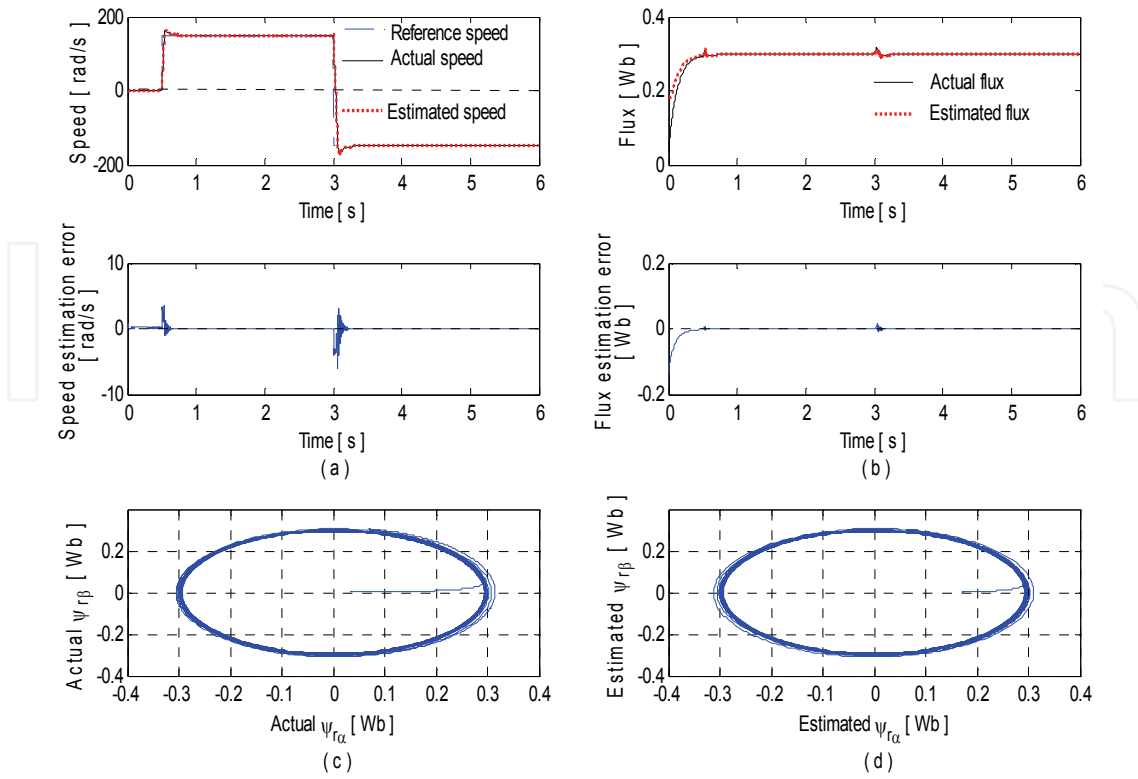


Fig. 14. Acceleration and speed reversal of the sensorless drive at no-load

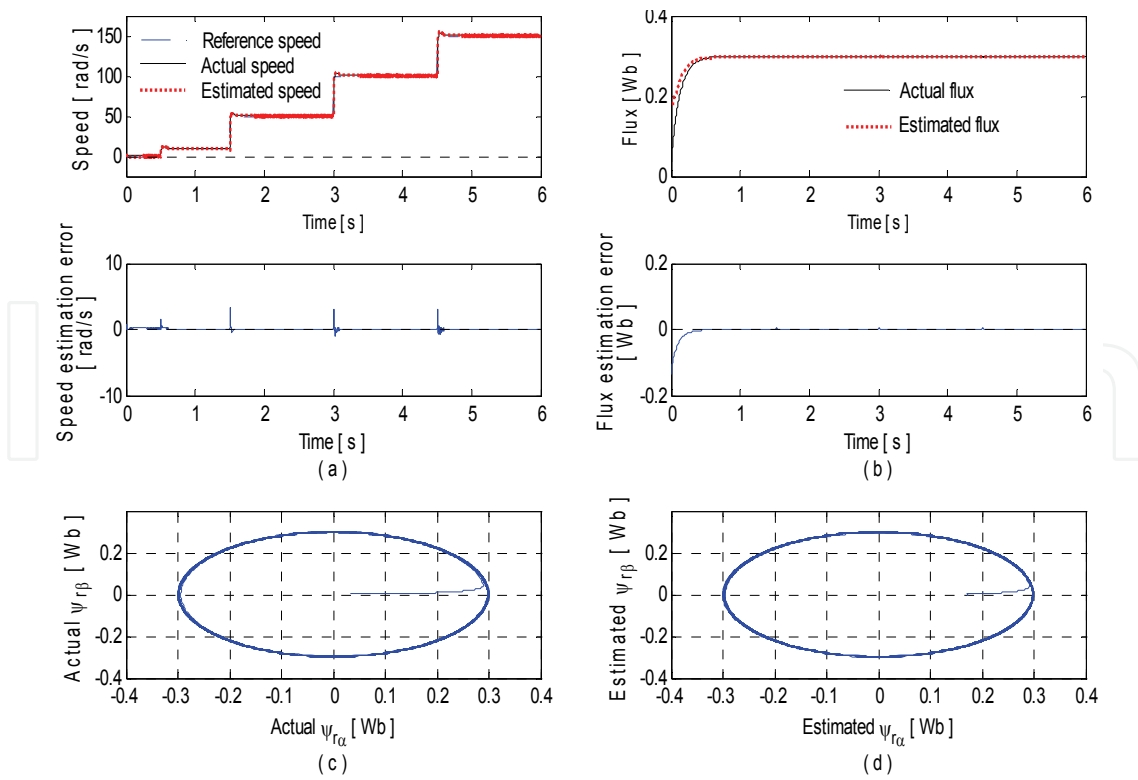


Fig. 15. No-load operation of the sensorless drive with step increase in speeds



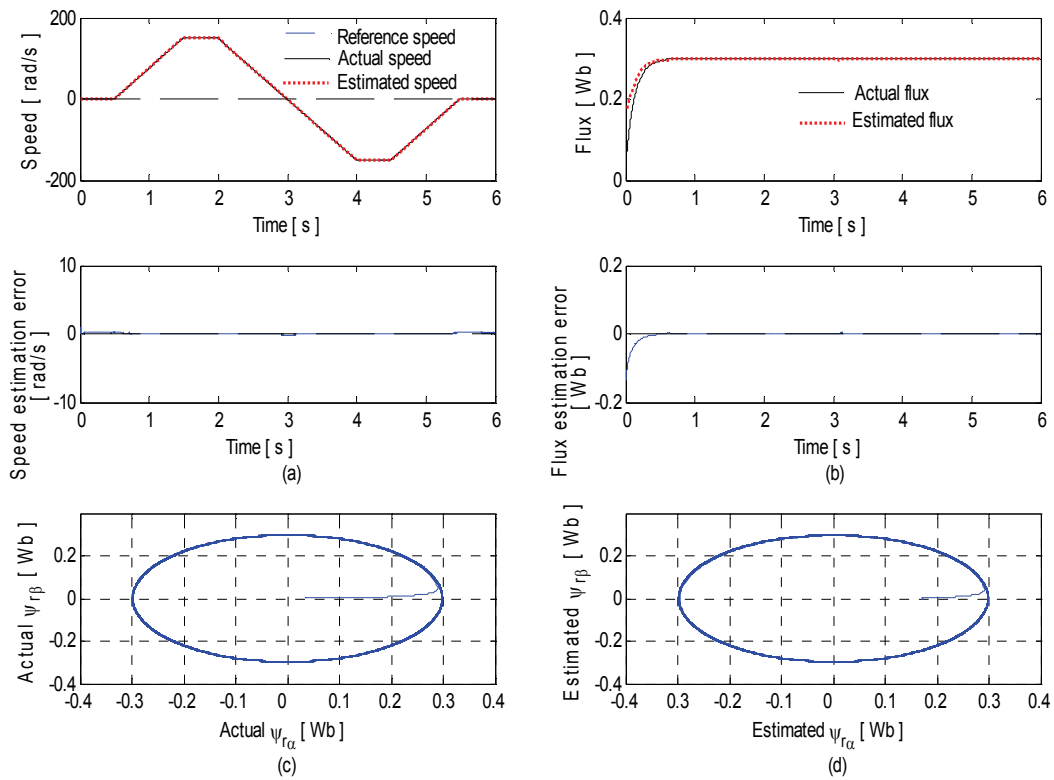


Fig. 16. No-load operation of the sensorless drive with trapezoidal reference speed

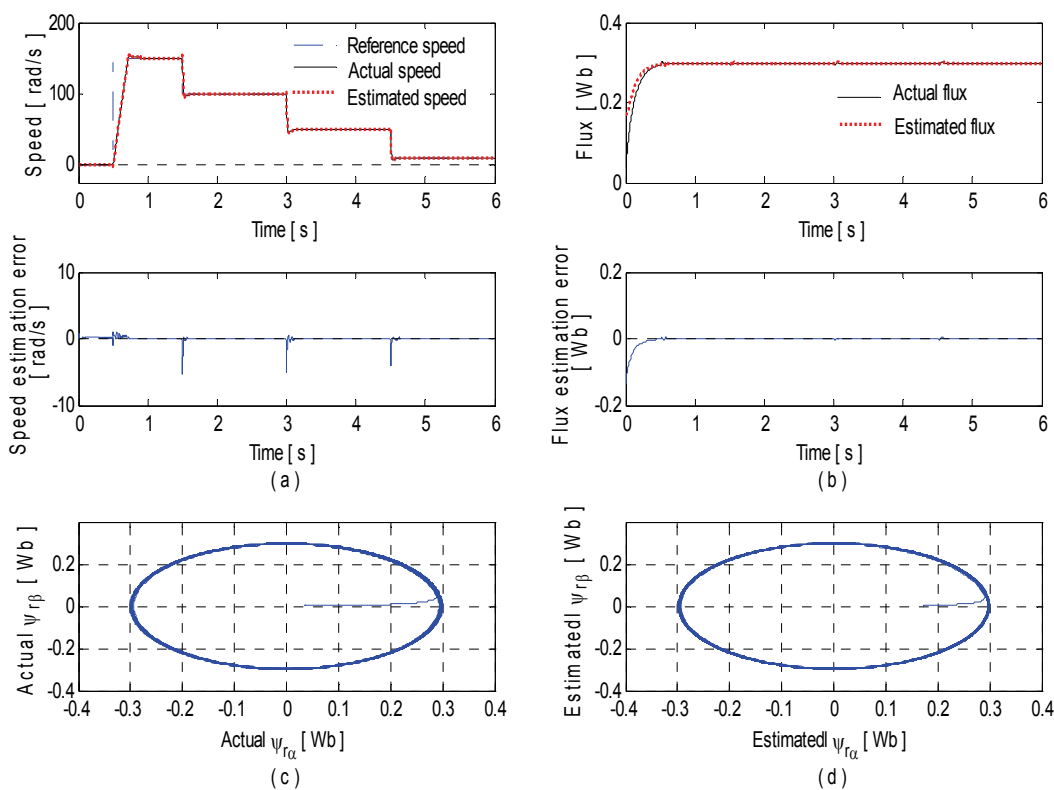


Fig. 17. Operation of the sensorless drive at full load at various speeds

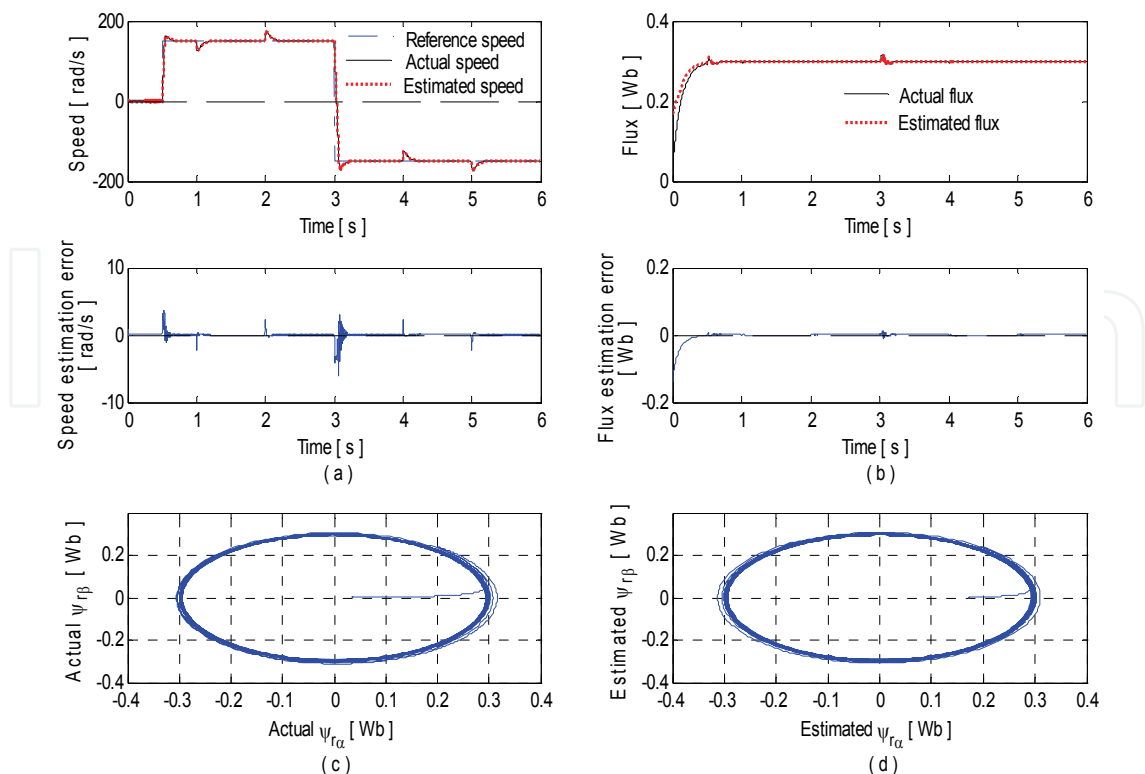


Fig. 18. Drive response on application and removal of load

#### 4. Conclusion and future works

In this chapter we have presented some methods of sensorless vector control of induction motor drive using machine model-based estimation. Sensorless vector control is an active research area and the treatment of the whole model based sensorless vector control will demand a book by itself.

First, a speed estimation algorithm in vector controlled induction motor drive has been presented. The proposed method is based on observing a newly defined quantity which is a function of rotor flux and speed. The algorithm uses command flux for speed computation. The problem of decrease in estimation accuracy with the decrease in speed was overcome using a flux observer based on voltage model of the machine along with the observer of the newly defined quantity, and satisfactory results were obtained.

Then, a joint rotor flux and speed estimation algorithm has been presented. The proposed method is based on a modified Blaschke equation and on observing the newly defined quantity mentioned above. Good estimation accuracy was obtained and the response of the sensorless vector controlled drive was found to be satisfactory.

The mathematical model of the motor used for implementing the estimation algorithm was derived with the assumption that the rotor speed dynamics is much slower than that of electrical states. Therefore, increase in estimation accuracy of the proposed algorithms will be observed with the increase in the size of the machine used.

The machine model developed in this chapter may be used in future for machine parameter estimation. The newly defined quantity presented in this chapter contains rotor resistance information as well, in addition to that of rotor flux and speed. Therefore, future research efforts may be made towards developing rotor resistance estimation algorithm using the

new machine model. Further, in the proposed algorithms rotor flux was necessary for speed estimation. Future research efforts may also be made towards developing a speed estimation algorithm for which the knowledge of rotor flux is not necessary.

## 5. References

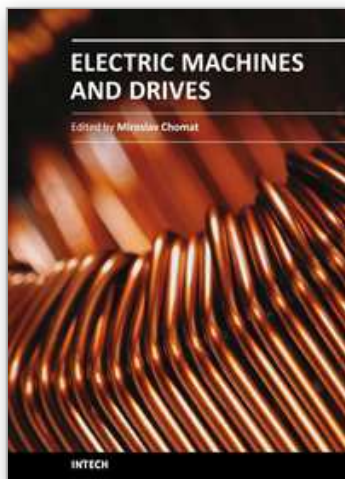
- Abbondante, A. & Brennen, M. B. (1975). Variable speed induction motor drives use electronic slip calculator based on motor voltages and currents. *IEEE Trans. Ind. Appl.*, Vol. 1A-11, No. 5, Sept/Oct, pp. 483-488.
- Ben-Brahim, L. & Kudor, T. (1995). Implementation of an induction motor speed estimator using neural networks. *Proceedings of International Power Electronics Conference, IPEC 1995*, Yokohama, April, pp. 52-58.
- Bodson, M.; Chiasson, J. & Novotnak, R. T. (1995). Nonlinear Speed Observer for High Performance Induction Motor Control. *IEEE Trans. Ind. Elec.*, Vol. 42, No. 4, Aug. pp. 337-343.
- Choy, I.; Kwon, S. H.; Lim J. & Hong, S. W. (1996). Robust Speed Estimation for Tacholeless Induction Motor Drives. *IEEE Electronics Letters*, Vol. 32, No. 19, pp. 1836-1838.
- Comnac V.; Cernat M.; Cotorogea, M. & Draghici, I. (2001). Sensorless Direct Torque and Stator Flux Control of Induction Machines Using an Extended Kalman Filter", *Proceedings of IEEE Int. Conf. on Control Appl*, Mexico, Sept. 5-7, pp. 674-679.
- Du T.; Vas, P. & Stronach, F. (1995). Design and Application of Extended Observers for Joint State and Parameter Estimation in High Performance AC Drives. *IEE Proc. Elec. Power Appl.*, Vol. 142, No. 2, pp. 71-78.
- Fodor, D. ; Ionescu, F. ; Florica, D. ; Six, J.P. ; Delarue, P. ; Diana, D. & Griva, G. (1995). Neural Networks Applied for Induction Motor Speed Sensorless Estimation. *Proceedings of the IEEE International Symposium on Industrial Electronics, ISIE' 95*, July 10-14, Athens, pp. 181-186.
- Gopinath, B. (1971). On the Control of Linear Multiple Input-Output Systems. *Bell System Technical Journal*, Vol. 50, No. 3, March, pp. 1063-1081.
- Haghgoeian, F.; Ouhrouche, M. & Thongam, J. S. (2005). MRAS-based speed estimation for an induction motor sensorless drive using neural networks. *WSEAS Transactions on Systems*, Vol. 4, No. 12, December, pp. 2346-2352.
- Jansen, P. L. & Lorenz, R. D. (1994). A physically insightful approach to the design and accuracy assessment of flux observers for field oriented induction machine drives. *IEEE Trans. Ind. Appl.*, Vol. 30, No. 1, Jan. /Feb., pp. 101-110.
- Kim, S. H.; Park, T. S.; Yoo, J. Y. & Park, G. T. (2001). Speed-sensorless vector control of an induction motor using neural network speed estimation. *IEEE Trans. Ind. Elec.*, Vol. 48, No. 3, June, pp. 609-614.
- Kim, Y. R.; Sul S. K. & and Park, M. H. (1994). Speed sensorless vector control of induction motor using extended Kalman filter. *IEEE Trans. Ind. Appl.*, Vol. 30, No. 5, Sept/Oct, pp. 1225-1233.
- Kubota, H.; Matsuse K. & Nakano, T. (1993). DSP-based speed adaptive flux observer of induction motor. *IEEE Trans. Ind. Appl.*, Vol. 29, No. 2, March/April, pp. 344-348.
- Liu, J. J.; Kung, I. C. & Chao, H. C. (2001). Speed estimation of induction motor using a non-linear identification technique. *Proc. Natl. Sci. Council. ROC (A)*, Vol. 25, No. 2, pp. 107-114.

- Ma, X. & Gui, Y. (2002). Extended Kalman filter for speed sensor-less DTC based on DSP. *Proc. of the 4<sup>th</sup> World Cong. on Intelligent Control and Automation*, Shanghai, China, June 10-14, pp. 119-122.
- Minami, K.; Velez-Reyez, M.; Elten, D.; Verghese, G. C. & Filbert, D. (1991). Multi-stage speed and parameter estimation for induction machines. *Proceedings of the IEEE Power Electronics Specialists Conf.*, Boston, USA, pp. 596-604.
- Ohtani, T.; Takada, N. & Tanaka, K. (1992). Vector control of induction motor without shaft encoder. *IEEE Trans. Ind. Appl.*, Vol. 28, No. 1, Jan/Feb, pp. 157-164.
- Pappano, V.; Lyshevski, S. E. & Friedland, B. (1998). Identification of induction motor parameters. *Proceedings of the 37th IEEE Conf. on Decision and Control*, Tampa, Florida, USA, December 16-18, pp. 989-994.
- Peng, F. Z. & Fukao, T. (1994). Robust speed identification for speed sensorless vector control of induction motors. *IEEE Trans. Ind. Appl.*, Vol. 30, No. 5, Sept/Oct., pp. 1234-1240.
- Rowan, T. M. & Kerkman, R. J. (1986). A new synchronous current regulator and an analysis of current-regulated PWM inverters. *IEEE Trans. Ind. Appl.*, Vol. IA-22, No. 4, July/Aug., pp. 678-690.
- Schauder, C. (1992). Adaptive speed identification for vector control of induction motors without rotational transducers. *IEEE Trans. Ind. Appl.*, Vol. 28, No. 5, Sept./Oct., pp. 1054-1061.
- Sathiakumar, S. (2000). Dynamic flux observer for induction motor speed control. *Proceedings of Australian Universities Power Engineering Conf. AUPEC 2000*, Brisbane, Australia, 24-27 Sept., pp. 108-113.
- Simoes, M. G. & Bose, B. K. (1995). Neural network based estimation of feedback signals for a vector controlled induction motor drive. *IEEE Trans. Ind. Appl.*, Vol. 31, May/June, pp. 620-629.
- Tajima, H. & Hori, Y. (1993). Speed sensorless field-orientation control of the induction machine. *IEEE Trans. Ind. Appl.*, Vol. 29, No. 1, pp. 175-180.
- Thongam, J. S. & Thoudam, V. P. S. (2004). Stator flux based speed estimation of induction motor drive using EKF. *IETE Journal of Research*, India, Vol. 50, No. 3. May-June, pp 191-197.
- Thongam, J. S. & Ouhrouche, M. (2006). Flux estimation for speed sensorless rotor flux oriented controlled induction motor drive. *WSEAS Transactions on Systems*, Vol. 5, No. 1, Jan., pp. 63-69.
- Thongam, J. S. & Ouhrouche, M. (2007). A novel speed estimation algorithm in indirect vector controlled induction motor drive. *International Journal of Power and Energy Systems*, Vol. 27, No. 3, 2007, pp. 294-298.
- Toqeer, R. S. & Bayindir, N. S. (2003). Speed estimation of an induction motor using Elman neural network. *Neuro Computing*, Volume 55, Issues 3-4, October, pp. 727- 730.
- Velez-Reyes, M.; Minami, K. & Verghese, G. C. (1989). Recursive speed and parameter estimation for induction machines", *IEEE/IAS Ann. Meet. Conf. Rec.*, San Diego, pp. 607-611.
- Velez-Reyes, M. & Verghese, G. C. (1992). Decomposed algorithms for speed and parameter estimation in induction machines. *IFAC Symposium on Nonlinear Control System Design*, Bordeaux, France, pp. 77-82.

- Verghese, G. C. & Sanders, S. R. (1988). Observers for flux estimation in induction machines. *IEEE Trans. Ind. Elec*, Vol. 35, No. 1, Feb., pp. 85-94.
- Yan, Z.; Jin C. & Utkin, V. I. (2000). Sensorless sliding-mode control of induction motors. *IEEE Trans. Ind. Elec*, Vol. 47, No. 6, Dec., pp. 1286-1297.

IntechOpen

IntechOpen



## **Electric Machines and Drives**

Edited by Dr. Miroslav Chomat

ISBN 978-953-307-548-8

Hard cover, 262 pages

**Publisher** InTech

**Published online** 28, February, 2011

**Published in print edition** February, 2011

The subject of this book is an important and diverse field of electric machines and drives. The twelve chapters of the book written by renowned authors, both academics and practitioners, cover a large part of the field of electric machines and drives. Various types of electric machines, including three-phase and single-phase induction machines or doubly fed machines, are addressed. Most of the chapters focus on modern control methods of induction-machine drives, such as vector and direct torque control. Among others, the book addresses sensorless control techniques, modulation strategies, parameter identification, artificial intelligence, operation under harsh or failure conditions, and modelling of electric or magnetic quantities in electric machines. Several chapters give an insight into the problem of minimizing losses in electric machines and increasing the overall energy efficiency of electric drives.

### **How to reference**

In order to correctly reference this scholarly work, feel free to copy and paste the following:

Jogendra Singh Thongam and Rachid Beguenane (2011). Sensorless Vector Control of Induction Motor Drive - A Model Based Approach, Electric Machines and Drives, Dr. Miroslav Chomat (Ed.), ISBN: 978-953-307-548-8, InTech, Available from: <http://www.intechopen.com/books/electric-machines-and-drives/sensorless-vector-control-of-induction-motor-drive-a-model-based-approach>

**INTECH**  
open science | open minds

### **InTech Europe**

University Campus STeP Ri  
Slavka Krautzeka 83/A  
51000 Rijeka, Croatia  
Phone: +385 (51) 770 447  
Fax: +385 (51) 686 166  
[www.intechopen.com](http://www.intechopen.com)

### **InTech China**

Unit 405, Office Block, Hotel Equatorial Shanghai  
No.65, Yan An Road (West), Shanghai, 200040, China  
中国上海市延安西路65号上海国际贵都大饭店办公楼405单元  
Phone: +86-21-62489820  
Fax: +86-21-62489821

© 2011 The Author(s). Licensee IntechOpen. This chapter is distributed under the terms of the [Creative Commons Attribution-NonCommercial-ShareAlike-3.0 License](#), which permits use, distribution and reproduction for non-commercial purposes, provided the original is properly cited and derivative works building on this content are distributed under the same license.

IntechOpen

IntechOpen