

We are IntechOpen, the world's leading publisher of Open Access books Built by scientists, for scientists

4,800

Open access books available

122,000

International authors and editors

135M

Downloads

Our authors are among the

154

Countries delivered to

TOP 1%

most cited scientists

12.2%

Contributors from top 500 universities



WEB OF SCIENCE™

Selection of our books indexed in the Book Citation Index
in Web of Science™ Core Collection (BKCI)

Interested in publishing with us?
Contact book.department@intechopen.com

Numbers displayed above are based on latest data collected.

For more information visit www.intechopen.com



Robot Kinematics: Forward and Inverse Kinematics

Serdar Kucuk and Zafer Bingul

1. Introduction

Kinematics studies the motion of bodies without consideration of the forces or moments that cause the motion. Robot kinematics refers the analytical study of the motion of a robot manipulator. Formulating the suitable kinematics models for a robot mechanism is very crucial for analyzing the behaviour of industrial manipulators. There are mainly two different spaces used in kinematics modelling of manipulators namely, Cartesian space and Quaternion space. The transformation between two Cartesian coordinate systems can be decomposed into a rotation and a translation. There are many ways to represent rotation, including the following: Euler angles, Gibbs vector, Cayley-Klein parameters, Pauli spin matrices, axis and angle, orthonormal matrices, and Hamilton 's quaternions. Of these representations, homogenous transformations based on 4x4 real matrices (orthonormal matrices) have been used most often in robotics. Denavit & Hartenberg (1955) showed that a general transformation between two joints requires four parameters. These parameters known as the Denavit-Hartenberg (DH) parameters have become the standard for describing robot kinematics. Although quaternions constitute an elegant representation for rotation, they have not been used as much as homogenous transformations by the robotics community. Dual quaternion can present rotation and translation in a compact form of transformation vector, simultaneously. While the orientation of a body is represented nine elements in homogenous transformations, the dual quaternions reduce the number of elements to four. It offers considerable advantage in terms of computational robustness and storage efficiency for dealing with the kinematics of robot chains (Funda et al., 1990).

The robot kinematics can be divided into forward kinematics and inverse kinematics. Forward kinematics problem is straightforward and there is no complexity deriving the equations. Hence, there is always a forward kinematics solution of a manipulator. Inverse kinematics is a much more difficult problem than forward kinematics. The solution of the inverse kinematics problem is computationally expansive and generally takes a very long time in the real time control of manipulators. Singularities and nonlinearities that make the

problem more difficult to solve. Hence, only for a very small class of kinematically simple manipulators (manipulators with Euler wrist) have complete analytical solutions (Kucuk & Bingul, 2004). The relationship between forward and inverse kinematics is illustrated in Figure 1.

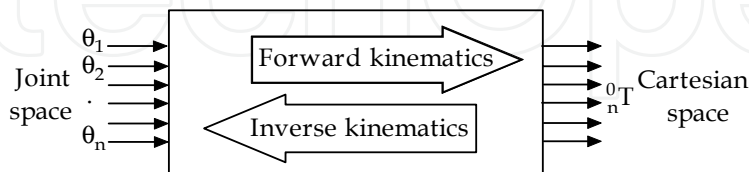


Figure 10. The schematic representation of forward and inverse kinematics.

Two main solution techniques for the inverse kinematics problem are analytical and numerical methods. In the first type, the joint variables are solved analytically according to given configuration data. In the second type of solution, the joint variables are obtained based on the numerical techniques. In this chapter, the analytical solution of the manipulators is examined rather than numerical solution.

There are two approaches in analytical method: geometric and algebraic solutions. Geometric approach is applied to the simple robot structures, such as 2-DOF planar manipulator or less DOF manipulator with parallel joint axes. For the manipulators with more links and whose arms extend into 3 dimensions or more the geometry gets much more tedious. In this case, algebraic approach is more beneficial for the inverse kinematics solution.

There are some difficulties to solve the inverse kinematics problem when the kinematics equations are coupled, and multiple solutions and singularities exist. Mathematical solutions for inverse kinematics problem may not always correspond to the physical solutions and method of its solution depends on the robot structure.

This chapter is organized in the following manner. In the first section, the forward and inverse kinematics transformations for an open kinematics chain are described based on the homogenous transformation. Secondly, geometric and algebraic approaches are given with explanatory examples. Thirdly, the problems in the inverse kinematics are explained with the illustrative examples. Finally, the forward and inverse kinematics transformations are derived based on the quaternion modeling convention.

2. Homogenous Transformation Modelling Convention

2.1. Forward Kinematics

A manipulator is composed of serial links which are affixed to each other revolute or prismatic joints from the base frame through the end-effector. Calculating the position and orientation of the end-effector in terms of the joint variables is called as forward kinematics. In order to have forward kinematics for a robot mechanism in a systematic manner, one should use a suitable kinematics model. Denavit-Hartenberg method that uses four parameters is the most common method for describing the robot kinematics. These parameters a_{i-1} , α_{i-1} , d_i and θ_i are the link length, link twist, link offset and joint angle, respectively. A coordinate frame is attached to each joint to determine DH parameters. Z_i axis of the coordinate frame is pointing along the rotary or sliding direction of the joints. Figure 2 shows the coordinate frame assignment for a general manipulator.

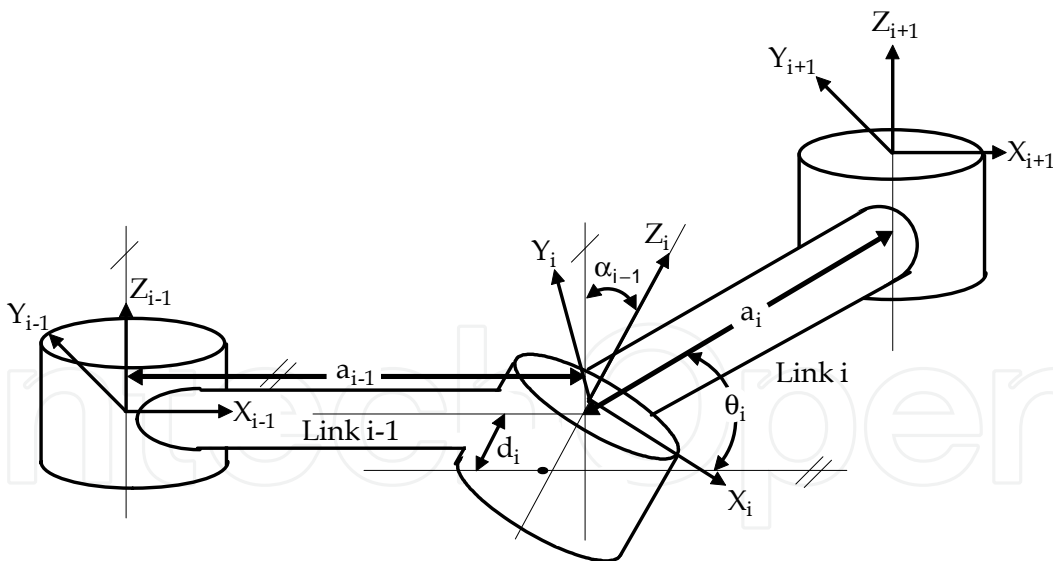


Figure 2. Coordinate frame assignment for a general manipulator.

As shown in Figure 2, the distance from Z_{i-1} to Z_i measured along X_{i-1} is assigned as a_{i-1} , the angle between Z_{i-1} and Z_i measured along X_i is assigned as α_{i-1} , the distance from X_{i-1} to X_i measured along Z_i is assigned as d_i and the angle between X_{i-1} to X_i measured about Z_i is assigned as θ_i (Craig, 1989).

The general transformation matrix ${}^{i-1}_i T$ for a single link can be obtained as follows.

$$\begin{aligned}
{}^{i-1}_i\mathbf{T} &= \mathbf{R}_x(\alpha_{i-1})\mathbf{D}_x(a_{i-1})\mathbf{R}_z(\theta_i)\mathbf{Q}_i(d_i) \\
&= \begin{bmatrix} 1 & 0 & 0 & 0 \\ 0 & c\alpha_{i-1} & -s\alpha_{i-1} & 0 \\ 0 & s\alpha_{i-1} & c\alpha_{i-1} & 0 \\ 0 & 0 & 0 & 1 \end{bmatrix} \begin{bmatrix} 1 & 0 & 0 & a_{i-1} \\ 0 & 1 & 0 & 0 \\ 0 & 0 & 1 & 0 \\ 0 & 0 & 0 & 1 \end{bmatrix} \begin{bmatrix} c\theta_i & -s\theta_i & 0 & 0 \\ s\theta_i & c\theta_i & 0 & 0 \\ 0 & 0 & 1 & 0 \\ 0 & 0 & 0 & 1 \end{bmatrix} \begin{bmatrix} 1 & 0 & 0 & 0 \\ 0 & 1 & 0 & 0 \\ 0 & 0 & 1 & d_i \\ 0 & 0 & 0 & 1 \end{bmatrix} \\
&= \begin{bmatrix} c\theta_i & -s\theta_i & 0 & a_{i-1} \\ s\theta_i c\alpha_{i-1} & c\theta_i c\alpha_{i-1} & -s\alpha_{i-1} & -s\alpha_{i-1} d_i \\ s\theta_i s\alpha_{i-1} & c\theta_i s\alpha_{i-1} & c\alpha_{i-1} & c\alpha_{i-1} d_i \\ 0 & 0 & 0 & 1 \end{bmatrix} \quad (1)
\end{aligned}$$

where \mathbf{R}_x and \mathbf{R}_z present rotation, \mathbf{D}_x and \mathbf{Q}_i denote translation, and $c\theta_i$ and $s\theta_i$ are the short hands of $\cos\theta_i$ and $\sin\theta_i$, respectively. The forward kinematics of the end-effector with respect to the base frame is determined by multiplying all of the ${}^{i-1}_i\mathbf{T}$ matrices.

$${}^{\text{base}}_{\text{end_effector}}\mathbf{T} = {}^0_1\mathbf{T} {}^1_2\mathbf{T} \dots {}^{n-1}_n\mathbf{T} \quad (2)$$

An alternative representation of ${}^{\text{base}}_{\text{end_effector}}\mathbf{T}$ can be written as

$${}^{\text{base}}_{\text{end-effector}}\mathbf{T} = \begin{bmatrix} r_{11} & r_{12} & r_{13} & p_x \\ r_{21} & r_{22} & r_{23} & p_y \\ r_{31} & r_{32} & r_{33} & p_z \\ 0 & 0 & 0 & 1 \end{bmatrix} \quad (3)$$

where r_{kj} 's represent the rotational elements of transformation matrix (k and $j=1, 2$ and 3). p_x , p_y and p_z denote the elements of the position vector. For a six jointed manipulator, the position and orientation of the end-effector with respect to the base is given by

$${}^0_6\mathbf{T} = {}^0_1\mathbf{T}(q_1) {}^1_2\mathbf{T}(q_2) {}^2_3\mathbf{T}(q_3) {}^3_4\mathbf{T}(q_4) {}^4_5\mathbf{T}(q_5) {}^5_6\mathbf{T}(q_6) \quad (4)$$

where q_i is the joint variable (revolute or prismatic joint) for joint i , ($i=1, 2, \dots, 6$).

Example 1.

As an example, consider a 6-DOF manipulator (Stanford Manipulator) whose rigid body and coordinate frame assignment are illustrated in Figure 3. Note that the manipulator has an Euler wrist whose three axes intersect at a common point. The first (RRP) and last three (RRR) joints are spherical in shape. P and R denote prismatic and revolute joints, respectively. The DH parameters corresponding to this manipulator are shown in Table 1.

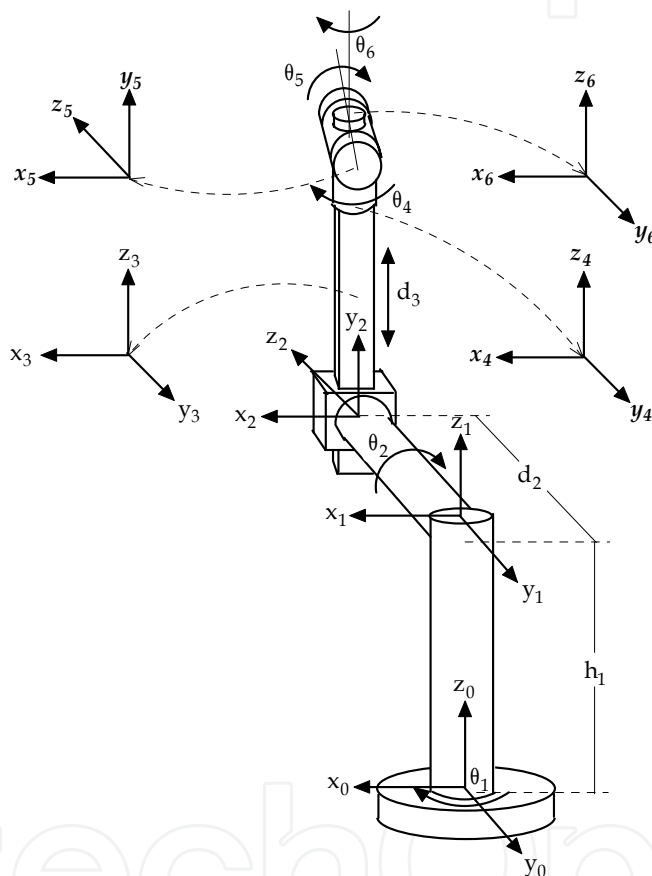


Figure 3. Rigid body and coordinate frame assignment for the Stanford Manipulator.

i	θ_i	α_{i-1}	a_{i-1}	d_i
1	θ_1	0	0	h_1
2	θ_2	90	0	d_2
3	0	-90	0	d_3
4	θ_4	0	0	0
5	θ_5	90	0	0
6	θ_6	-90	0	0

Table 1. DH parameters for the Stanford Manipulator.

It is straightforward to compute each of the link transformation matrices using equation 1, as follows.

$${}^0_1T = \begin{bmatrix} c\theta_1 & -s\theta_1 & 0 & 0 \\ s\theta_1 & c\theta_1 & 0 & 0 \\ 0 & 0 & 1 & h_1 \\ 0 & 0 & 0 & 1 \end{bmatrix} \quad (5)$$

$${}^1_2T = \begin{bmatrix} c\theta_2 & -s\theta_2 & 0 & 0 \\ 0 & 0 & -1 & -d_2 \\ s\theta_2 & c\theta_2 & 0 & 0 \\ 0 & 0 & 0 & 1 \end{bmatrix} \quad (6)$$

$${}^2_3T = \begin{bmatrix} 1 & 0 & 0 & 0 \\ 0 & 0 & 1 & d_3 \\ 0 & -1 & 0 & 0 \\ 0 & 0 & 0 & 1 \end{bmatrix} \quad (7)$$

$${}^3_4T = \begin{bmatrix} c\theta_4 & -s\theta_4 & 0 & 0 \\ s\theta_4 & c\theta_4 & 0 & 0 \\ 0 & 0 & 1 & 0 \\ 0 & 0 & 0 & 1 \end{bmatrix} \quad (8)$$

$${}^4_5T = \begin{bmatrix} c\theta_5 & -s\theta_5 & 0 & 0 \\ 0 & 0 & -1 & 0 \\ s\theta_5 & c\theta_5 & 0 & 0 \\ 0 & 0 & 0 & 1 \end{bmatrix} \quad (9)$$

$${}^5_6T = \begin{bmatrix} c\theta_6 & -s\theta_6 & 0 & 0 \\ 0 & 0 & 1 & 0 \\ -s\theta_6 & -c\theta_6 & 0 & 0 \\ 0 & 0 & 0 & 1 \end{bmatrix} \quad (10)$$

The forward kinematics of the Stanford Manipulator can be determined in the form of equation 3 multiplying all of the ${}^{i-1}_iT$ matrices, where $i=1,2, \dots, 6$. In this case, 0_6T is given by

$${}^0_6\mathbf{T} = \begin{bmatrix} r_{11} & r_{12} & r_{13} & p_x \\ r_{21} & r_{22} & r_{23} & p_y \\ r_{31} & r_{32} & r_{33} & p_z \\ 0 & 0 & 0 & 1 \end{bmatrix} \quad (11)$$

where

$$\begin{aligned} r_{11} &= -s\theta_6 (c\theta_4 s\theta_1 + c\theta_1 c\theta_2 s\theta_4) - c\theta_6 (c\theta_5 (s\theta_1 s\theta_4 - c\theta_1 c\theta_2 c\theta_4) + c\theta_1 s\theta_2 s\theta_5) \\ r_{12} &= s\theta_6 (c\theta_5 (s\theta_1 s\theta_4 - c\theta_1 c\theta_2 c\theta_4) + c\theta_1 s\theta_2 s\theta_5) - c\theta_6 (c\theta_4 s\theta_1 + c\theta_1 c\theta_2 s\theta_4) \\ r_{13} &= s\theta_5 (s\theta_1 s\theta_4 - c\theta_1 c\theta_2 c\theta_4) - c\theta_1 c\theta_5 s\theta_2 \\ r_{21} &= s\theta_6 (c\theta_1 c\theta_4 - c\theta_2 s\theta_1 s\theta_4) + c\theta_6 (c\theta_5 (c\theta_1 s\theta_4 + c\theta_2 c\theta_4 s\theta_1) - s\theta_1 s\theta_2 s\theta_5) \\ r_{22} &= c\theta_6 (c\theta_1 c\theta_4 - c\theta_2 s\theta_1 s\theta_4) - s\theta_6 (c\theta_5 (c\theta_1 s\theta_4 + c\theta_2 c\theta_4 s\theta_1) - s\theta_1 s\theta_2 s\theta_5) \\ r_{23} &= -s\theta_5 (c\theta_1 s\theta_4 + c\theta_2 c\theta_4 s\theta_1) - c\theta_5 s\theta_1 s\theta_2 \\ r_{31} &= c\theta_6 (c\theta_2 s\theta_5 + c\theta_4 c\theta_5 s\theta_2) - s\theta_2 s\theta_4 s\theta_6 \\ r_{32} &= -s\theta_6 (c\theta_2 s\theta_5 + c\theta_4 c\theta_5 s\theta_2) - c\theta_6 s\theta_2 s\theta_4 \\ r_{33} &= c\theta_2 c\theta_5 - c\theta_4 s\theta_2 s\theta_5 \\ p_x &= d_2 s\theta_1 - d_3 c\theta_1 s\theta_2 \\ p_y &= -d_2 c\theta_1 - d_3 s\theta_1 s\theta_2 \\ p_z &= h_1 + d_3 c\theta_2 \end{aligned}$$

2.1.1 Verification of Mathematical model

In order to check the accuracy of the mathematical model of the Stanford Manipulator shown in Figure 3, the following steps should be taken. The general position vector in equation 11 should be compared with the zero position vector in Figure 4.

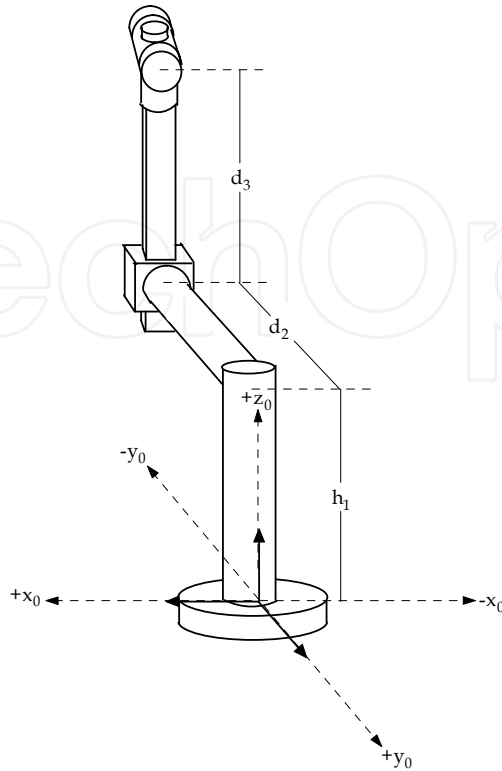


Figure 4. Zero position for the Stanford Manipulator.

The general position vector of the Stanford Manipulator is given by

$$\begin{bmatrix} p_x \\ p_y \\ p_z \end{bmatrix} = \begin{bmatrix} d_2 s\theta_1 - d_3 c\theta_1 s\theta_2 \\ -d_2 c\theta_1 - d_3 s\theta_1 s\theta_2 \\ h_1 + d_3 c\theta_2 \end{bmatrix} \quad (12)$$

In order to obtain the zero position in terms of link parameters, let's set $\theta_1 = \theta_2 = 0^\circ$ in equation 12.

$$\begin{bmatrix} p_x \\ p_y \\ p_z \end{bmatrix} = \begin{bmatrix} d_2 s(0^\circ) - d_3 c(0^\circ) s(0^\circ) \\ -d_2 c(0^\circ) - d_3 s(0^\circ) s(0^\circ) \\ h_1 + d_3 c(0^\circ) \end{bmatrix} = \begin{bmatrix} 0 \\ -d_2 \\ h_1 + d_3 \end{bmatrix} \quad (13)$$

All of the coordinate frames in Figure 3 are removed except the base which is the reference coordinate frame for determining the link parameters in zero position as in Figure 4. Since there is not any link parameters observed in the direction of $+x_0$ and $-x_0$ in Figure 4, $p_x = 0$. There is only d_2 parameter in $-y_0$ direction so p_y equals $-d_2$. The parameters h_1 and d_3 are the $+z_0$ direction, so p_z equals $h_1 + d_3$. In this case, the zero position vector of Stanford Manipulator are obtained as following

$$\begin{bmatrix} p_x \\ p_y \\ p_z \end{bmatrix} = \begin{bmatrix} 0 \\ -d_2 \\ h_1 + d_3 \end{bmatrix} \quad (14)$$

It is explained above that the results of the position vector in equation 13 are identical to those obtained by equation 14. Hence, it can be said that the mathematical model of the Stanford Manipulator is driven correctly.

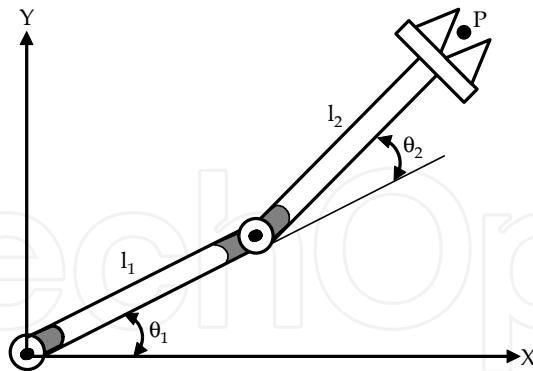
2.2. Inverse Kinematics

The inverse kinematics problem of the serial manipulators has been studied for many decades. It is needed in the control of manipulators. Solving the inverse kinematics is computationally expansive and generally takes a very long time in the real time control of manipulators. Tasks to be performed by a manipulator are in the Cartesian space, whereas actuators work in joint space. Cartesian space includes orientation matrix and position vector. However, joint space is represented by joint angles. The conversion of the position and orientation of a manipulator end-effector from Cartesian space to joint space is called as inverse kinematics problem. There are two solutions approaches namely, geometric and algebraic used for deriving the inverse kinematics solution, analytically. Let's start with geometric approach.

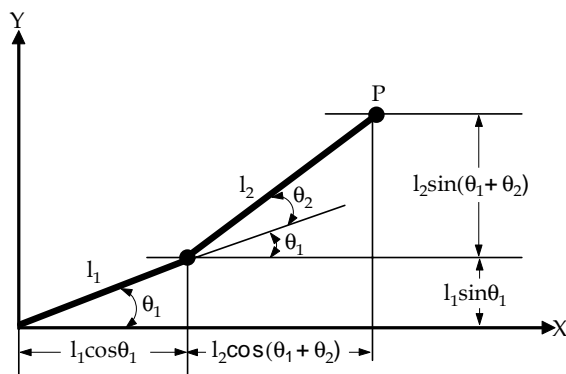
2.2.1 Geometric Solution Approach

Geometric solution approach is based on decomposing the spatial geometry of the manipulator into several plane geometry problems. It is applied to the simple robot structures, such as, 2-DOF planer manipulator whose joints are both revolute and link lengths are l_1 and l_2 shown in Figure 5a. Consider Figure 5b in order to derive the kinematics equations for the planar manipulator.

The components of the point P (p_x and p_y) are determined as follows.



(a)



(b)

Figure 5. a) Planer manipulator; b) Solving the inverse kinematics based on trigonometry.

$$p_x = l_1 c\theta_1 + l_2 c\theta_{12} \quad (15)$$

$$p_y = l_1 s\theta_1 + l_2 s\theta_{12} \quad (16)$$

where $c\theta_{12} = c\theta_1 c\theta_2 - s\theta_1 s\theta_2$ and $s\theta_{12} = s\theta_1 c\theta_2 + c\theta_1 s\theta_2$. The solution of θ_2 can be computed from summation of squaring both equations 15 and 16.

$$p_x^2 = l_1^2 c^2\theta_1 + l_2^2 c^2\theta_{12} + 2l_1 l_2 c\theta_1 c\theta_{12}$$

$$p_y^2 = l_1^2 s^2\theta_1 + l_2^2 s^2\theta_{12} + 2l_1 l_2 s\theta_1 s\theta_{12}$$

$$p_x^2 + p_y^2 = l_1^2 (c^2\theta_1 + s^2\theta_1) + l_2^2 (c^2\theta_{12} + s^2\theta_{12}) + 2l_1 l_2 (c\theta_1 c\theta_{12} + s\theta_1 s\theta_{12})$$

Since $c^2\theta_1 + s^2\theta_1 = 1$, the equation given above is simplified as follows.

$$\begin{aligned} p_x^2 + p_y^2 &= l_1^2 + l_2^2 + 2l_1l_2(c\theta_1[c\theta_1c\theta_2 - s\theta_1s\theta_2] + s\theta_1[s\theta_1c\theta_2 + c\theta_1s\theta_2]) \\ p_x^2 + p_y^2 &= l_1^2 + l_2^2 + 2l_1l_2(c^2\theta_1c\theta_2 - c\theta_1s\theta_1s\theta_2 + s^2\theta_1c\theta_2 + c\theta_1s\theta_1s\theta_2) \\ p_x^2 + p_y^2 &= l_1^2 + l_2^2 + 2l_1l_2(c\theta_2[c^2\theta_1 + s^2\theta_1]) \\ p_x^2 + p_y^2 &= l_1^2 + l_2^2 + 2l_1l_2c\theta_2 \end{aligned}$$

and so

$$c\theta_2 = \frac{p_x^2 + p_y^2 - l_1^2 - l_2^2}{2l_1l_2} \quad (17)$$

Since, $c^2\theta_i + s^2\theta_i = 1$ ($i=1,2,3,\dots$), $s\theta_2$ is obtained as

$$s\theta_2 = \pm \sqrt{1 - \left(\frac{p_x^2 + p_y^2 - l_1^2 - l_2^2}{2l_1l_2} \right)^2} \quad (18)$$

Finally, two possible solutions for θ_2 can be written as

$$\theta_2 = \text{A tan 2} \left(\pm \sqrt{1 - \left(\frac{p_x^2 + p_y^2 - l_1^2 - l_2^2}{2l_1l_2} \right)^2}, \frac{p_x^2 + p_y^2 - l_1^2 - l_2^2}{2l_1l_2} \right) \quad (19)$$

Let's first, multiply each side of equation 15 by $c\theta_1$ and equation 16 by $s\theta_1$ and add the resulting equations in order to find the solution of θ_1 in terms of link parameters and the known variable θ_2 .

$$\begin{aligned} c\theta_1 p_x &= l_1 c^2\theta_1 + l_2 c^2\theta_1 c\theta_2 - l_2 c\theta_1 s\theta_1 s\theta_2 \\ s\theta_1 p_y &= l_1 s^2\theta_1 + l_2 s^2\theta_1 c\theta_2 + l_2 s\theta_1 c\theta_1 s\theta_2 \\ c\theta_1 p_x + s\theta_1 p_y &= l_1 (c^2\theta_1 + s^2\theta_1) + l_2 c\theta_2 (c^2\theta_1 + s^2\theta_1) \end{aligned}$$

The simplified equation obtained as follows.

$$c\theta_1 p_x + s\theta_1 p_y = l_1 + l_2 c\theta_2 \quad (20)$$

In this step, multiply both sides of equation 15 by $-s\theta_1$ and equation 16 by $c\theta_1$ and then adding the resulting equations produce

$$\begin{aligned}
-s\theta_1 p_x &= -l_1 s\theta_1 c\theta_1 - l_2 s\theta_1 c\theta_1 c\theta_2 + l_2 s^2\theta_1 s\theta_2 \\
c\theta_1 p_y &= l_1 s\theta_1 c\theta_1 + l_2 c\theta_1 s\theta_1 c\theta_2 + l_2 c^2\theta_1 s\theta_2 \\
-s\theta_1 p_x + c\theta_1 p_y &= l_2 s\theta_2 (c^2\theta_1 + s^2\theta_1)
\end{aligned}$$

The simplified equation is given by

$$-s\theta_1 p_x + c\theta_1 p_y = l_2 s\theta_2 \quad (21)$$

Now, multiply each side of equation 20 by p_x and equation 21 by p_y and add the resulting equations in order to obtain $c\theta_1$.

$$\begin{aligned}
c\theta_1 p_x^2 + s\theta_1 p_x p_y &= p_x (l_1 + l_2 c\theta_2) \\
-s\theta_1 p_x p_y + c\theta_1 p_y^2 &= p_y l_2 s\theta_2 \\
c\theta_1 (p_x^2 + p_y^2) &= p_x (l_1 + l_2 c\theta_2) + p_y l_2 s\theta_2
\end{aligned}$$

and so

$$c\theta_1 = \frac{p_x (l_1 + l_2 c\theta_2) + p_y l_2 s\theta_2}{p_x^2 + p_y^2} \quad (22)$$

$s\theta_1$ is obtained as

$$s\theta_1 = \pm \sqrt{1 - \left(\frac{p_x (l_1 + l_2 c\theta_2) + p_y l_2 s\theta_2}{p_x^2 + p_y^2} \right)^2} \quad (23)$$

As a result, two possible solutions for θ_1 can be written

$$\theta_1 = \text{A tan 2} \left(\pm \sqrt{1 - \left(\frac{p_x (l_1 + l_2 c\theta_2) + p_y l_2 s\theta_2}{p_x^2 + p_y^2} \right)^2}, \frac{p_x (l_1 + l_2 c\theta_2) + p_y l_2 s\theta_2}{p_x^2 + p_y^2} \right) \quad (24)$$

Although the planar manipulator has a very simple structure, as can be seen, its inverse kinematics solution based on geometric approach is very cumbersome.

2.2.2 Algebraic Solution Approach

For the manipulators with more links and whose arm extends into 3 dimensions the geometry gets much more tedious. Hence, algebraic approach is chosen for the inverse kinematics solution. Recall the equation 4 to find the inverse kinematics solution for a six-axis manipulator.

$${}^0_6T = \begin{bmatrix} r_{11} & r_{12} & r_{13} & p_x \\ r_{21} & r_{22} & r_{23} & p_y \\ r_{31} & r_{32} & r_{33} & p_z \\ 0 & 0 & 0 & 1 \end{bmatrix} = {}^0_1T(q_1) {}^1_2T(q_2) {}^2_3T(q_3) {}^3_4T(q_4) {}^4_5T(q_5) {}^5_6T(q_6)$$

To find the inverse kinematics solution for the first joint (q_1) as a function of the known elements of ${}^{\text{base}}_{\text{end-effector}}T$, the link transformation inverses are premultiplied as follows.

$$[{}^0_1T(q_1)]^{-1} {}^0_6T = [{}^0_1T(q_1)]^{-1} {}^0_1T(q_1) {}^1_2T(q_2) {}^2_3T(q_3) {}^3_4T(q_4) {}^4_5T(q_5) {}^5_6T(q_6)$$

where $[{}^0_1T(q_1)]^{-1} {}^0_1T(q_1) = I$, I is identity matrix. In this case the above equation is given by

$$[{}^0_1T(q_1)]^{-1} {}^0_6T = {}^1_2T(q_2) {}^2_3T(q_3) {}^3_4T(q_4) {}^4_5T(q_5) {}^5_6T(q_6) \quad (25)$$

To find the other variables, the following equations are obtained as a similar manner.

$$[{}^0_1T(q_1) {}^1_2T(q_2)]^{-1} {}^0_6T = {}^2_3T(q_3) {}^3_4T(q_4) {}^4_5T(q_5) {}^5_6T(q_6) \quad (26)$$

$$[{}^0_1T(q_1) {}^1_2T(q_2) {}^2_3T(q_3)]^{-1} {}^0_6T = {}^3_4T(q_4) {}^4_5T(q_5) {}^5_6T(q_6) \quad (27)$$

$$[{}^0_1T(q_1) {}^1_2T(q_2) {}^2_3T(q_3) {}^3_4T(q_4)]^{-1} {}^0_6T = {}^4_5T(q_5) {}^5_6T(q_6) \quad (28)$$

$$[{}^0_1T(q_1) {}^1_2T(q_2) {}^2_3T(q_3) {}^3_4T(q_4) {}^4_5T(q_5)]^{-1} {}^0_6T = {}^5_6T(q_6) \quad (29)$$

There are 12 simultaneous set of nonlinear equations to be solved. The only unknown on the left hand side of equation 18 is q_1 . The 12 nonlinear matrix elements of right hand side are either zero, constant or functions of q_2 through q_6 . If the elements on the left hand side which are the function of q_1 are equated with the elements on the right hand side, then the joint variable q_1

can be solved as functions of $r_{11}, r_{12}, \dots, r_{33}, p_x, p_y, p_z$ and the fixed link parameters. Once q_1 is found, then the other joint variables are solved by the same way as before. There is no necessity that the first equation will produce q_1 and the second q_2 etc. To find suitable equation for the solution of the inverse kinematics problem, any equation defined above (equations 25-29) can be used arbitrarily. Some trigonometric equations used in the solution of inverse kinematics problem are given in Table 2.

	Equations	Solutions
1	$a \sin \theta + b \cos \theta = c$	$\theta = A \tan 2(a, b) \mp A \tan 2\left(\sqrt{a^2 + b^2 - c^2}, c\right)$
2	$a \sin \theta + b \cos \theta = 0$	$\theta = A \tan 2(-b, a)$ or $\theta = A \tan 2(b, -a)$
3	$\cos \theta = a$ and $\sin \theta = b$	$\theta = A \tan 2(b, a)$
4	$\cos \theta = a$	$\theta = A \tan 2\left(\mp \sqrt{1 - a^2}, a\right)$
5	$\sin \theta = a$	$\theta = A \tan 2\left(a, \mp \sqrt{1 - a^2}\right)$

Table 2. Some trigonometric equations and solutions used in inverse kinematics

Example 2.

As an example to describe the algebraic solution approach, get back the inverse kinematics for the planar manipulator. The coordinate frame assignment is depicted in Figure 6 and DH parameters are given by Table 3.

i	θ_i	α_{i-1}	a_{i-1}	d_i
1	θ_1	0	0	0
2	θ_2	0	l_1	0
3	0	0	l_2	0

Table 3. DH parameters for the planar manipulator.

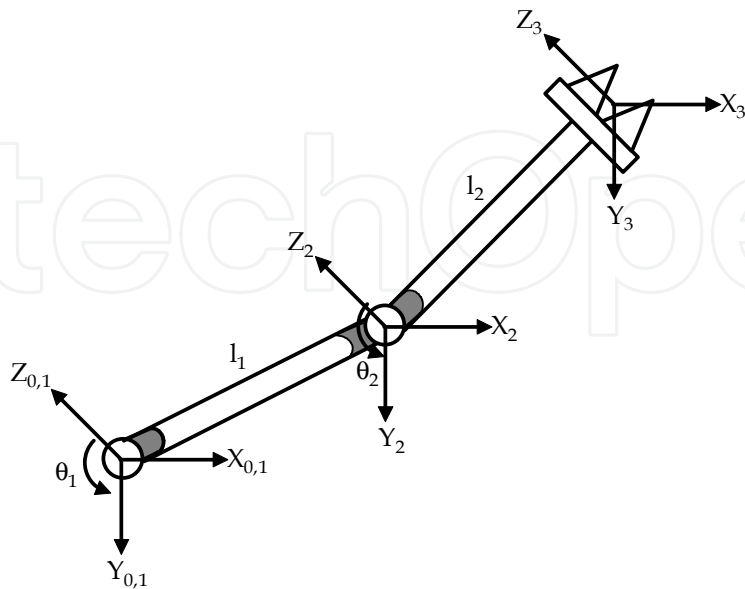


Figure 6. Coordinate frame assignment for the planar manipulator.

The link transformation matrices are given by

$${}^0_1T = \begin{bmatrix} c\theta_1 & -s\theta_1 & 0 & 0 \\ s\theta_1 & c\theta_1 & 0 & 0 \\ 0 & 0 & 1 & 0 \\ 0 & 0 & 0 & 1 \end{bmatrix} \tag{30}$$

$${}^1_2T = \begin{bmatrix} c\theta_2 & -s\theta_2 & 0 & l_1 \\ s\theta_2 & c\theta_2 & 0 & 0 \\ 0 & 0 & 1 & 0 \\ 0 & 0 & 0 & 1 \end{bmatrix} \tag{31}$$

$${}^2_3T = \begin{bmatrix} 1 & 0 & 0 & l_2 \\ 0 & 1 & 0 & 0 \\ 0 & 0 & 1 & 0 \\ 0 & 0 & 0 & 1 \end{bmatrix} \tag{32}$$

Let us use the equation 4 to solve the inverse kinematics of the 2-DOF manipulator.

$${}^0_3\mathbf{T} = \begin{bmatrix} \mathbf{r}_{11} & \mathbf{r}_{12} & \mathbf{r}_{13} & \mathbf{p}_x \\ \mathbf{r}_{21} & \mathbf{r}_{22} & \mathbf{r}_{23} & \mathbf{p}_y \\ \mathbf{r}_{31} & \mathbf{r}_{32} & \mathbf{r}_{33} & \mathbf{p}_z \\ 0 & 0 & 0 & 1 \end{bmatrix} = {}^0_1\mathbf{T} {}^1_2\mathbf{T} {}^2_3\mathbf{T} \quad (33)$$

Multiply each side of equation 33 by ${}^0_1\mathbf{T}^{-1}$

$${}^0_1\mathbf{T}^{-1} {}^0_3\mathbf{T} = {}^0_1\mathbf{T}^{-1} {}^0_1\mathbf{T} {}^1_2\mathbf{T} {}^2_3\mathbf{T} \quad (34)$$

where

$${}^0_1\mathbf{T}^{-1} = \begin{bmatrix} {}^0_1\mathbf{R}^T & -{}^0_1\mathbf{R}^T {}^0\mathbf{P}_1 \\ 0 & 0 & 0 & 1 \end{bmatrix} \quad (35)$$

In equation 35, ${}^0_1\mathbf{R}^T$ and ${}^0\mathbf{P}_1$ denote the transpose of rotation and position vector of ${}^0_1\mathbf{T}$, respectively. Since, ${}^0_1\mathbf{T}^{-1} {}^0_1\mathbf{T} = \mathbf{I}$, equation 34 can be rewritten as follows.

$${}^0_1\mathbf{T}^{-1} {}^0_3\mathbf{T} = {}^1_2\mathbf{T} {}^2_3\mathbf{T} \quad (36)$$

Substituting the link transformation matrices into equation 36 yields

$$\begin{bmatrix} \mathbf{c}\theta_1 & \mathbf{s}\theta_1 & 0 & 0 \\ -\mathbf{s}\theta_1 & \mathbf{c}\theta_1 & 0 & 0 \\ 0 & 0 & 1 & 0 \\ 0 & 0 & 0 & 1 \end{bmatrix} \begin{bmatrix} \mathbf{r}_{11} & \mathbf{r}_{12} & \mathbf{r}_{13} & \mathbf{p}_x \\ \mathbf{r}_{21} & \mathbf{r}_{22} & \mathbf{r}_{23} & \mathbf{p}_y \\ \mathbf{r}_{31} & \mathbf{r}_{32} & \mathbf{r}_{33} & \mathbf{p}_z \\ 0 & 0 & 0 & 1 \end{bmatrix} = \begin{bmatrix} \mathbf{c}\theta_2 & -\mathbf{s}\theta_2 & 0 & l_1 \\ \mathbf{s}\theta_2 & \mathbf{c}\theta_2 & 0 & 0 \\ 0 & 0 & 1 & 0 \\ 0 & 0 & 0 & 1 \end{bmatrix} \begin{bmatrix} 1 & 0 & 0 & l_2 \\ 0 & 1 & 0 & 0 \\ 0 & 0 & 1 & 0 \\ 0 & 0 & 0 & 1 \end{bmatrix} \quad (37)$$

$$\begin{bmatrix} \cdot & \cdot & \cdot & \mathbf{c}\theta_1\mathbf{p}_x + \mathbf{s}\theta_1\mathbf{p}_y \\ \cdot & \cdot & \cdot & -\mathbf{s}\theta_1\mathbf{p}_x + \mathbf{c}\theta_1\mathbf{p}_y \\ \cdot & \cdot & \cdot & \mathbf{p}_z \\ 0 & 0 & 0 & 1 \end{bmatrix} = \begin{bmatrix} \cdot & \cdot & \cdot & l_2\mathbf{c}\theta_2 + l_1 \\ \cdot & \cdot & \cdot & l_2\mathbf{s}\theta_2 \\ \cdot & \cdot & \cdot & 0 \\ 0 & 0 & 0 & 1 \end{bmatrix}$$

Squaring the (1,4) and (2,4) matrix elements of each side in equation 37

$$\begin{aligned} c^2\theta_1 p_x^2 + s^2\theta_1 p_y^2 + 2p_x p_y c\theta_1 s\theta_1 &= l_2^2 c^2\theta_2 + 2l_1 l_2 c\theta_2 + l_1^2 \\ s^2\theta_1 p_x^2 + c^2\theta_1 p_y^2 - 2p_x p_y c\theta_1 s\theta_1 &= l_2^2 s^2\theta_2 \end{aligned}$$

and then adding the resulting equations above gives

$$\begin{aligned} p_x^2 (c^2\theta_1 + s^2\theta_1) + p_y^2 (s^2\theta_1 + c^2\theta_1) &= l_2^2 (c^2\theta_2 + s^2\theta_2) + 2l_1 l_2 c\theta_2 + l_1^2 \\ p_x^2 + p_y^2 &= l_2^2 + 2l_1 l_2 c\theta_2 + l_1^2 \\ c\theta_2 &= \frac{p_x^2 + p_y^2 - l_1^2 - l_2^2}{2l_1 l_2} \end{aligned}$$

Finally, two possible solutions for θ_2 are computed as follows using the fourth trigonometric equation in Table 2.

$$\theta_2 = A \tan 2 \left(\mp \sqrt{1 - \left[\frac{p_x^2 + p_y^2 - l_1^2 - l_2^2}{2l_1 l_2} \right]^2}, \frac{p_x^2 + p_y^2 - l_1^2 - l_2^2}{2l_1 l_2} \right) \quad (38)$$

Now the second joint variable θ_2 is known. The first joint variable θ_1 can be determined equating the (1,4) elements of each side in equation 37 as follows.

$$c\theta_1 p_x + s\theta_1 p_y = l_2 c\theta_2 + l_1 \quad (39)$$

Using the first trigonometric equation in Table 2 produces two potential solutions.

$$\theta_1 = A \tan 2(p_y, p_x) \mp A \tan 2(\sqrt{p_y^2 + p_x^2 - (l_2 c\theta_2 + l_1)^2}, l_2 c\theta_2 + l_1) \quad (40)$$

Example 3.

As another example for algebraic solution approach, consider the six-axis Stanford Manipulator again. The link transformation matrices were previously developed. Equation 26 can be employed in order to develop equation 41. The inverse kinematics problem can be decoupled into inverse position and orientation kinematics. The inboard joint variables (first three joints) can be solved using the position vectors of both sides in equation 41.

$$[{}^0_1T \quad {}^1_2T]^{-1} {}^0_6T = {}^2_3T \quad {}^3_4T \quad {}^4_5T \quad {}^5_6T \quad (41)$$

$$\begin{bmatrix} \cdot & \cdot & \cdot & c\theta_2(c\theta_1 p_x + s\theta_1 p_y) + s\theta_2(p_z - h_1) \\ \cdot & \cdot & \cdot & -s\theta_2(c\theta_1 p_x + s\theta_1 p_y) + c\theta_2(p_z - h_1) \\ \cdot & \cdot & \cdot & s\theta_1 p_x - c\theta_1 p_y - d_2 \\ 0 & 0 & 0 & 1 \end{bmatrix} = \begin{bmatrix} \cdot & \cdot & \cdot & 0 \\ \cdot & \cdot & \cdot & d_3 \\ \cdot & \cdot & \cdot & 0 \\ 0 & 0 & 0 & 1 \end{bmatrix}$$

The revolute joint variables θ_1 and θ_2 are obtained equating the (3,4) and (1,4) elements of each side in equation 41 and using the first and second trigonometric equations in Table 2, respectively.

$$\theta_1 = A \tan 2(p_x, -p_y) \pm A \tan 2(\sqrt{p_x^2 + p_y^2 - d_2^2}, d_2) \quad (42)$$

$$\theta_2 = \pm A \tan 2(c\theta_1 p_x + s\theta_1 p_y, -p_z + h_1) \quad (43)$$

The prismatic joint variable d_3 is extracted from the (2,4) elements of each side in equation 41 as follows.

$$d_3 = -s\theta_2(c\theta_1 p_x + s\theta_1 p_y) + c\theta_2(p_z - h_1) \quad (44)$$

The last three joint variables may be found using the elements of rotation matrices of each side in equation 41. The rotation matrices are given by

$$\begin{bmatrix} \cdot & \cdot & r_{33}s\theta_2 + r_{13}c\theta_1c\theta_2 + r_{23}c\theta_2s\theta_1 & \cdot \\ d & e & r_{33}c\theta_2 - r_{13}c\theta_1s\theta_2 - r_{23}s\theta_1s\theta_2 & \cdot \\ \cdot & \cdot & r_{13}s\theta_1 - r_{23}c\theta_1 & \cdot \\ 0 & 0 & 0 & 1 \end{bmatrix} = \begin{bmatrix} \cdot & \cdot & -c\theta_4s\theta_5 & \cdot \\ c\theta_6s\theta_5 & -s\theta_5s\theta_6 & c\theta_5 & \cdot \\ \cdot & \cdot & s\theta_4s\theta_5 & \cdot \\ 0 & 0 & 0 & 1 \end{bmatrix} \quad (45)$$

where $d = r_{31}c\theta_2 - r_{11}c\theta_1s\theta_2 - r_{21}s\theta_1s\theta_2$ and $e = r_{32}c\theta_2 - r_{12}c\theta_1s\theta_2 - r_{22}s\theta_1s\theta_2$. The revolute joint variables θ_5 is determined equating the (2,3) elements of both sides in equation 45 and using the fourth trigonometric equation in Table 2, as follows.

$$\theta_5 = A \tan 2\left(\pm \sqrt{1 - (r_{33}c\theta_2 - r_{13}c\theta_1s\theta_2 - r_{23}s\theta_1s\theta_2)^2}, r_{33}c\theta_2 - r_{13}c\theta_1s\theta_2 - r_{23}s\theta_1s\theta_2\right) \quad (46)$$

Extracting $\cos\theta_4$ and $\sin\theta_4$ from (1,3) and (3,3), $\cos\theta_6$ and $\sin\theta_6$ from (2,1) and (2,2) elements of each side in equation 45 and using the third trigonomet-

ric equation in Table 2, θ_4 and θ_6 revolute joint variables can be computed, respectively.

$$\theta_4 = A \tan 2 \left(\frac{r_{13} s\theta_1 - r_{23} c\theta_1}{s\theta_5}, -\frac{r_{33} s\theta_2 + r_{13} c\theta_1 c\theta_2 + r_{23} c\theta_2 s\theta_1}{s\theta_5} \right) \quad (47)$$

$$\theta_6 = A \tan 2 \left(-\frac{r_{32} c\theta_2 - r_{12} c\theta_1 s\theta_2 - r_{22} s\theta_1 s\theta_2}{s\theta_5}, \frac{r_{31} c\theta_2 - r_{11} c\theta_1 s\theta_2 - r_{21} s\theta_1 s\theta_2}{s\theta_5} \right) \quad (48)$$

2.2.3 Some Drawbacks for the Solution of the Inverse Kinematics Problem

Although solution of the forward kinematics problem is steady forward, the solution of the inverse kinematics problem strictly depend on the robot structures. Here are some difficulties that should be taken in account while driving the inverse kinematics.

The structure of the six-axis manipulators having Euler wrist allows for the decoupling of the position and orientation kinematics. The geometric feature that generates this decoupling is the intersection of the last tree joint axes. Hence, their inverse kinematics problems are quite simple. On the other hand, since the orientation and position of some 6 DOF manipulators having offset wrist (whose three axes does not intersect at a common point) are coupled, such manipulators do not produce suitable equations for the analytical solution. In this case, numerical methods are employed to obtain the solution of the inverse kinematics problem.

Consider the example 3 for describing the singularity. As long as $\theta_5 \neq 0^\circ$ and $\theta_5 \neq 180^\circ$, θ_4 and θ_6 can be solved. A singularity of the mechanism exists when $\theta_5 = 0^\circ$ and $\theta_5 = 180^\circ$. In this case, the manipulator loses one or more degrees of freedom. Hence, joint angles, θ_4 and θ_6 make the same motion of the last link of the manipulator.

The inverse kinematics solution for a manipulator whose structure comprises of revolute joints generally produces multiple solutions. Each solution should be checked in order to determine whether or not they bring the end-effector to the desired position. Suppose the planar manipulator illustrated in Figure 5, with the link lengths $l_1=10$ and $l_2=5$ in some units. Use the inverse kinematics solutions given in equations 38 and 40 to find the joint angles which bring the end-effector at the following position $(p_x, p_y)=(12.99, 2.5)$. Substituting $l_1=10$, $l_2=5$ and $(p_x, p_y)=(12.99, 2.5)$ values into equation 38 yields

$$\begin{aligned}\theta_2 &= A \tan 2 \left(\mp \sqrt{1 - \left[\frac{12.99^2 + 2.5^2 - 10^2 - 5^2}{2 \cdot 10 \cdot 5} \right]^2}, \left[\frac{12.99^2 + 2.5^2 - 10^2 - 5^2}{2 \cdot 10 \cdot 5} \right] \right) \\ &= A \tan 2 \left(\mp \sqrt{1 - (0.4999)^2}, 0.4999 \right) \\ &= A \tan 2 \left(\mp 0.866, 0.4999 \right) = \mp 60^\circ\end{aligned}\quad (49)$$

As can be seen from equation 49, θ_2 has two solutions, corresponding to the positive ($+60^\circ$) and negative (-60°) sign choices. Since $\cos(\theta) = \cos(-\theta)$, one ($\theta_2 = 60^\circ$) of above two solutions can be employed to find the numeric values of the first joint as follows.

$$\begin{aligned}\theta_1 &= A \tan 2(2.5, 12.99) \mp \\ &A \tan 2 \left(\sqrt{2.5^2 + 12.99^2 - (5 \cdot c(60) + 10)^2}, 5 \cdot c(60) + 10 \right) \\ &= 10.9 \mp 19.1\end{aligned}\quad (50)$$

Clearly, the planar manipulator has four different mathematical solutions given by

$$S_1 = \{\theta_1 = 10.9 + 19.1 = 30^\circ, \theta_2 = +60^\circ\} \quad (51)$$

$$S_2 = \{\theta_1 = 10.9 + 19.1 = 30^\circ, \theta_2 = -60^\circ\} \quad (52)$$

$$S_3 = \{\theta_1 = 10.9 - 19.1 = -8.20^\circ, \theta_2 = +60^\circ\} \quad (53)$$

$$S_4 = \{\theta_1 = 10.9 - 19.1 = -8.20^\circ, \theta_2 = -60^\circ\} \quad (54)$$

As a result, these four sets of link angle values given by equations 51 through 54 solve the inverse kinematics problem for the planar manipulator. Figure 7 illustrates the particular positions for the planar manipulator in each of above solutions.

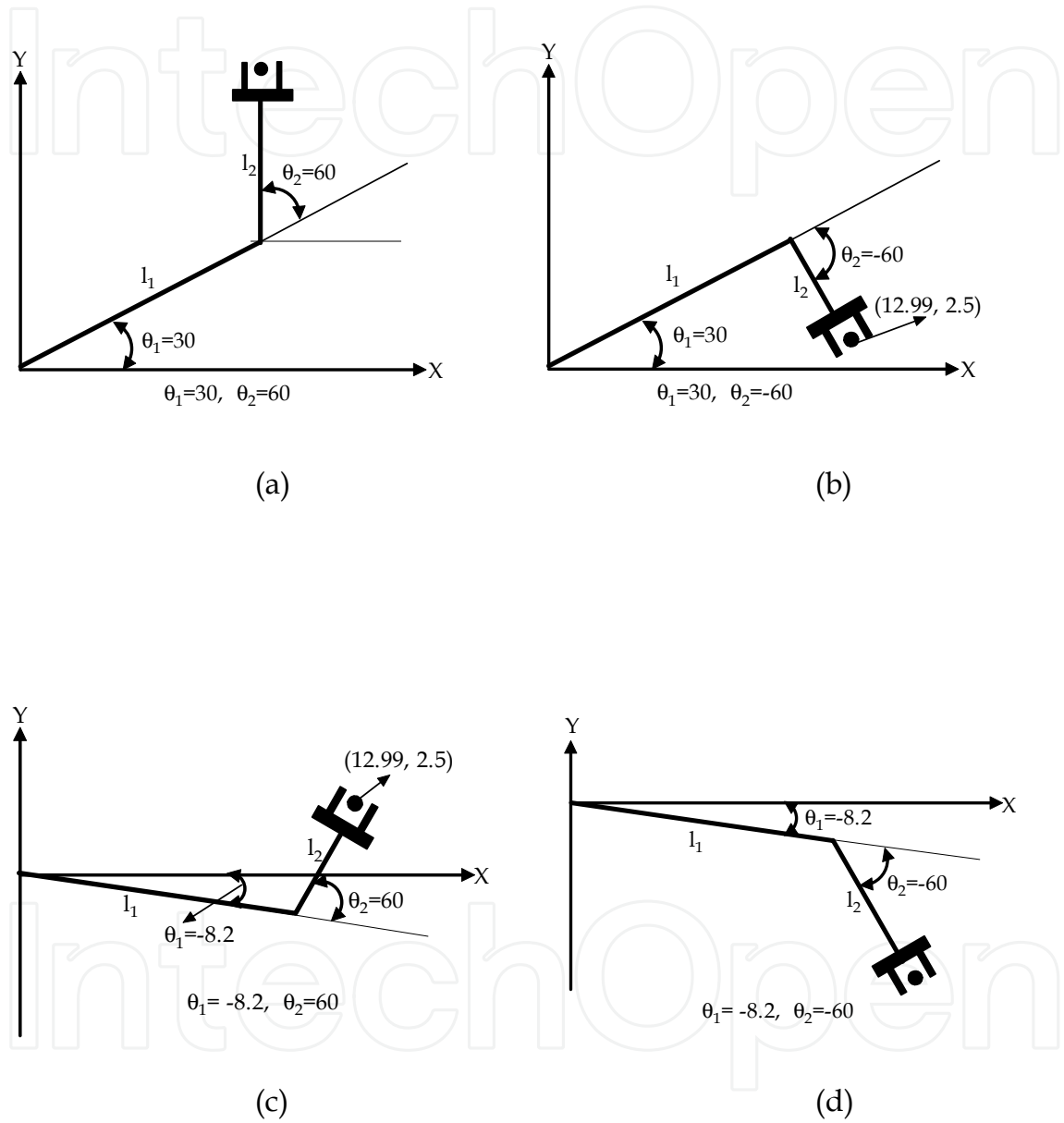


Figure 7. Four particular positions for the planar manipulator.

Although there are four different inverse kinematics solutions for the planar manipulator, only two (Figure 7b and 6c) of these bring the end-effector to the desired position of $(p_x, p_y) = (12.99, 2.5)$.

Mathematical solutions for inverse kinematics problem may not always correspond to physical solutions. Another words, there are physical link restrictions for any real manipulator. Therefore, each set of link angle values should be

checked in order to determine whether or not they are identical with the physical link limits. Suppose, $\theta_2 = 180^\circ$, the second link is folded completely back onto first link as shown in Figure 8. One can readily verify that this joint value is not physically attained by the planar manipulator.

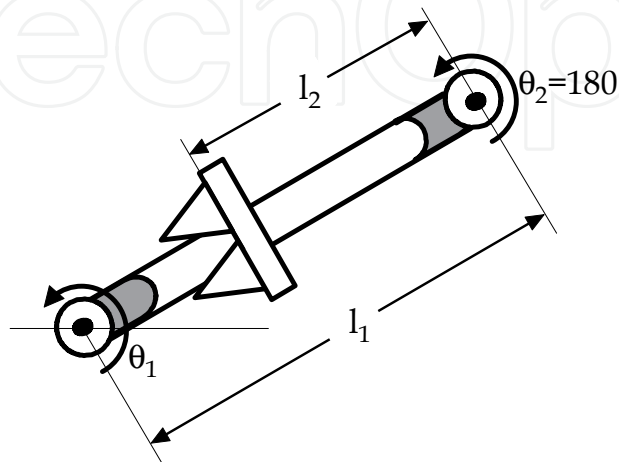


Figure 8. The second link is folded completely back onto the first link when $\theta_2 = 180^\circ$.

3. Quaternion Modelling Convention

Formulating the suitable mathematical model and deriving the efficient algorithm for a robot kinematics mechanism are very crucial for analyzing the behavior of serial manipulators. Generally, homogenous transformation based on 4×4 real matrices is used for the robot kinematics. Although such matrices are implemented to the robot kinematics readily, they include in redundant elements (such matrices are composed of 16 elements of which four are completely trivial) that cause numerical problems in robot kinematics and also increase cost of algorithms (Funda et al., 1990). Quaternion-vector pairs are used as an alternative method for driving the robot kinematics of serial manipulator. The successive screw displacements in this method provide a very compact formulation for the kinematics equations and also reduce the number of equations obtained in each goal position, according to the matrix counterparts. Since (Hamilton, 2004)'s introduction of quaternions, they have been used in many applications, such as, classical and quantum mechanics, aerospace, geometric analysis, and robotics. While (Salamin, 1979) presented advantages of quaternions and matrices as rotational operators, the first application of the former in the kinematics was considered by (Kotelnikov, 1895). Later, general properties of quaternions as rotational operators were studied by (Pervin & Webb, 1982) who also presented quaternion formulation of moving geometric

objects. (Gu & Luh, 1987) used quaternions for computing the Jacobians for robot kinematics and dynamics. (Funda et al., 1990) compared quaternions with homogenous transforms in terms of computational efficiency. (Kim & Kumar, 1990) used quaternions for the solution of direct and inverse kinematics of a 6-DOF manipulator. (Caccavale & Siciliano, 2001) used quaternions for kinematic control of a redundant space manipulator mounted on a free-floating space-craft. (Rueda et al., 2002) presented a new technique for the robot calibration based on the quaternion-vector pairs.

3.1. Quaternion Formulation

A quaternion q is the sum of scalar (s) and three dimensional vectors (v). Other words, it is a quadrinomial expression, with a real angle θ and an axis of rotation $n = ix + jy + kz$, where i , j and k are imaginary numbers. It may be expressed as a quadruple $q = (\theta, x, y, z)$ or as a scalar and a vector $q = (\theta, u)$, where $u = x, y, z$. In this chapter it will be denoted as,

$$q = [s, v] = [\cos(\theta/2), \sin(\theta/2) \langle k_x, k_y, k_z \rangle] \quad (55)$$

where $s \in \mathbb{R}$, $v \in \mathbb{R}^3$ and θ and k , a rotation angle and unit axis, respectively. For a vector r oriented an angle θ about the vector k , there is a quaternion $q = [\cos(\theta/2), \sin(\theta/2) \langle k_x, k_y, k_z \rangle] = [s, \langle x, y, z \rangle]$ that represents the orientation. This is equivalent to the rotation matrix R .

$$R = \begin{bmatrix} 1 - 2y^2 - 2z^2 & 2xy - 2sz & 2xz + 2sy \\ 2xy + 2sz & 1 - 2x^2 - 2z^2 & 2yz - 2sx \\ 2xz - 2sy & 2yz + 2sx & 1 - 2x^2 - 2y^2 \end{bmatrix} \quad (56)$$

If R is equated to a 3x3 rotational matrix given by

$$\begin{bmatrix} r_{11} & r_{12} & r_{13} \\ r_{21} & r_{22} & r_{23} \\ r_{31} & r_{32} & r_{33} \end{bmatrix} \quad (57)$$

and since, q is unit magnitude ($s^2 + x^2 + y^2 + z^2 = 1$) then, the rotation matrix R can be mapped to a quaternion $q = [s, \langle x, y, z \rangle]$ as follows.

$$s = \frac{\sqrt{r_{11} + r_{22} + r_{33} + 1}}{2} \quad (58)$$

$$x = \frac{r_{32} - r_{23}}{4s} \quad (59)$$

$$y = \frac{r_{13} - r_{31}}{4s} \quad (60)$$

$$z = \frac{r_{21} - r_{12}}{4s} \quad (61)$$

Although unit quaternions are very suitable for defining the orientation of a rigid body, they do not contain any information about its position in the 3D space. The way to represent both rotation and translation in a single transformation vector is to use dual quaternions. The transformation vector using dual quaternions for a revolute joint is

$$Q(q, p) = ([\cos(\theta/2), \sin(\theta/2) \langle k_x, k_y, k_z \rangle], \langle p_x, p_y, p_z \rangle) \quad (62)$$

where the unit quaternion q represents appropriate rotation and the vector $p = \langle p_x, p_y, p_z \rangle$ encodes corresponding translational displacement. In the case of prismatic joints, the displacement is represented by a quaternion-vector pair as follows.

$$Q(q, p) = ([1, \langle 0, 0, 0 \rangle], \langle p_x, p_y, p_z \rangle) \quad (63)$$

where $[1, \langle 0, 0, 0 \rangle]$ represents unit identity quaternion. Quaternion multiplication is vital to combining the rotations. Let, $q_1 = [s_1, v_1]$ and $q_2 = [s_2, v_2]$ denote two unit quaternions. In this case, multiplication process is shown as

$$q_1 * q_2 = [s_1 s_2 - v_1 \cdot v_2, s_1 v_2 + s_2 v_1 + v_1 \times v_2] \quad (64)$$

where (\cdot) , (\times) and $(*)$ are dot product, cross product and quaternion multiplication, respectively. In the same manner, the quaternion multiplication of two point vector transformations is denoted as,

$$Q_1 Q_2 = (q_1, p_1) * (q_2, p_2) = q_1 * q_2, q_1 * p_2 * q_1^{-1} + p_1 \quad (65)$$

where, $q_1 * p_2 * q_1^{-1} = p_2 + 2s_1(v_1 \times p_2) + 2v_1 \times (v_1 \times p_2)$. A unit quaternion inverse requires only negating its vector part, i.e.

$$q^{-1} = [s, v] = [s, -v] \quad (66)$$

Finally, an equivalent expression for the inverse of a quaternion-vector pair can be written as,

$$Q^{-1} = (q^{-1}, -q^{-1} * p * q) \quad (67)$$

where $-q^{-1} * p * q = -p + [-2s(v \times (-p)) + 2v \times (v \times (-p))]$.

3.2 Forward Kinematics

Based on the quaternion modeling convention, the forward kinematics vector transformation for an open kinematics chain can be derived as follows: Consider the Stanford Manipulator once more as illustrated in Figure 9. A coordinate frame is affixed to the base of the manipulator arbitrarily and the z-axis of the frame is assigned for pointing along the rotation axis of first joint. This frame does not move and, is considered as the reference coordinate frame. The position and the orientation vectors of all other joints are assigned in terms of this frame. Let's find orientation vectors. Since the z-axis of the reference coordinate frame is the unit line vector along the rotation axis of the first joint, the quaternion vector that represents the orientation is expressed as

$$q_1 = [\cos \bar{\theta}_1, \sin \bar{\theta}_1 < 0, 0, 1 >] \quad (68)$$

where $\bar{\theta}_1 = \theta_1 / 2$. As shown in Figure 9, the unit line vector of the second joint is the opposite direction of the y-axis of the reference coordinate frame, in this case, the orientation of the second joint is given by

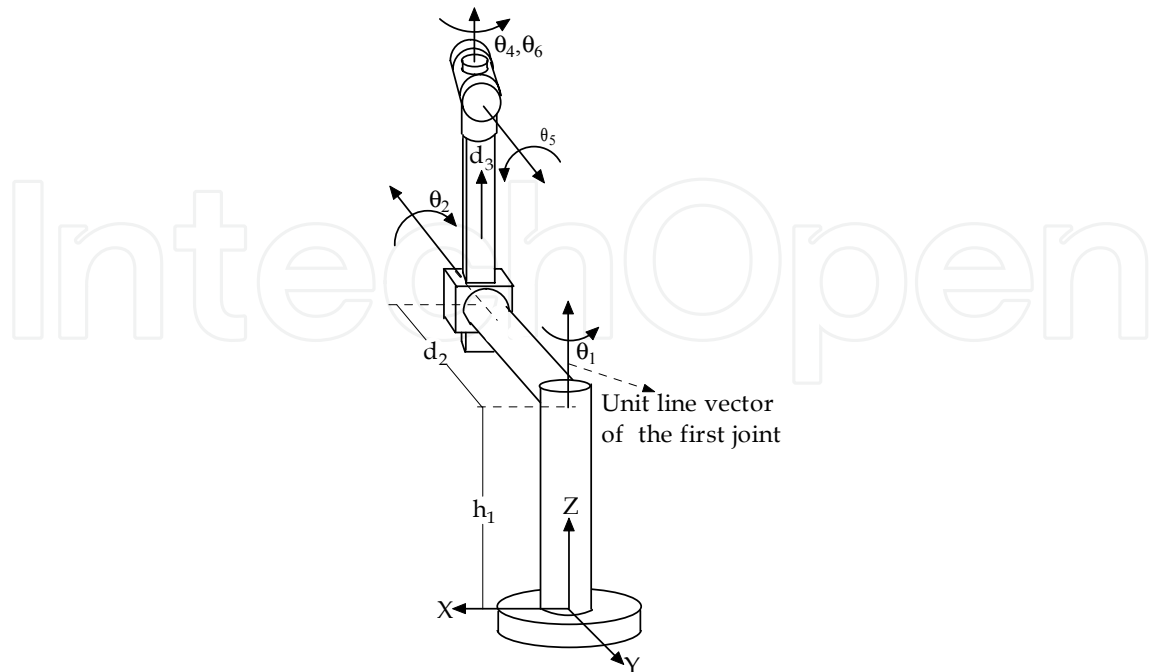


Figure 9. The coordinate frame and unit line vectors for the Stanford Manipulator.

$$q_2 = [\cos \bar{\theta}_2, \sin \bar{\theta}_2 < 0, -1, 0 >] \quad (69)$$

Because, the third joint is prismatic; there is only a unit identity quaternion that can be denoted as

$$q_3 = [1, < 0, 0, 0 >] \quad (70)$$

Orientations of the last three joints are determined as follows using the same approach described above.

$$q_4 = [\cos \bar{\theta}_4, \sin \bar{\theta}_4 < 0, 0, 1 >] \quad (71)$$

$$q_5 = [\cos \bar{\theta}_5, \sin \bar{\theta}_5 < 0, 1, 0 >] \quad (72)$$

$$q_6 = [\cos \bar{\theta}_6, \sin \bar{\theta}_6 < 0, 0, 1 >] \quad (73)$$

The position vectors are assigned in terms of reference coordinate frame as follows. When the first joint is rotated anticlockwise direction around the z axis of reference coordinate frame by an angle of θ_1 , the link d_2 traces a circle in the xy-plane which is parallel to the xy plane of the reference coordinate frame as given in Figure 10a. Any point on the circle can be determined using the vector

$$p_1 = \langle p_{x1}, p_{y1}, p_{z1} \rangle = \langle d_2 \sin \theta_1, -d_2 \cos \theta_1, h_1 \rangle \quad (74)$$

If the second joint is rotated as in Figure 10b, in this case the rotation will be xz-plane with respect to the reference coordinate frame. The position vector of the second quaternion can be written as

$$p_2 = \langle -d_3 \sin \theta_2, 0, d_3 \cos \theta_2 \rangle \quad (75)$$

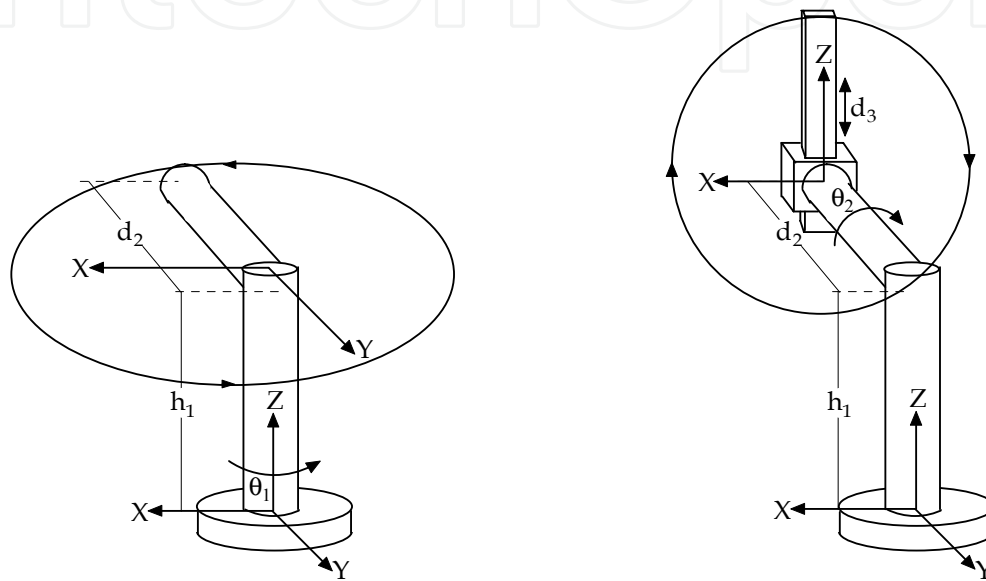


Figure 10. a) The link d_2 traces a circle on the xy -plane; b) The link d_3 traces a circle on the xz -plane.

Since rotation of the last four joints do not create any displacement for the successive joints, the position vectors are denoted as

$$p_3 = p_4 = p_5 = p_6 = \langle 0, 0, 0 \rangle \quad (76)$$

Finally, the kinematics transformations for the Stanford Manipulator defining the spatial relationships between successive linkages can be expressed as follows.

$$Q_1 = ([\cos \bar{\theta}_1, \sin \bar{\theta}_1 \langle 0, 0, 1 \rangle], \langle d_2 \sin \theta_1, -d_2 \cos \theta_1, h_1 \rangle) \quad (77)$$

$$Q_2 = ([\cos \bar{\theta}_2, \sin \bar{\theta}_2 \langle 0, -1, 0 \rangle], \langle -d_3 \sin \theta_2, 0, d_3 \cos \theta_2 \rangle) \quad (78)$$

$$Q_3 = ([1, \langle 0, 0, 0 \rangle], \langle 0, 0, 0 \rangle) \quad (79)$$

$$Q_4 = ([\cos \bar{\theta}_4, \sin \bar{\theta}_4 < 0, 0, 1 >], < 0, 0, 0 >) \quad (80)$$

$$Q_5 = ([\cos \bar{\theta}_5, \sin \bar{\theta}_5 < 0, 1, 0 >], < 0, 0, 0 >) \quad (81)$$

$$Q_6 = ([\cos \bar{\theta}_6, \sin \bar{\theta}_6 < 0, 0, 1 >], < 0, 0, 0 >) \quad (82)$$

The forward kinematics of the Stanford Manipulator can be determined in the form of equation 62, multiplying all of the Q_i matrices, where $i=1,2, \dots, 6$.

$$Q(q,p) = ([s, v], < d_2 s \theta_1 - d_3 c \theta_1 s \theta_2, -d_2 c \theta_1 - d_3 s \theta_1 s \theta_2, h_1 + d_3 c \theta_2 >) \quad (83)$$

where $s = M_{11}$ and $v = \langle M_{12}, M_{13}, M_{14} \rangle$ are given by equation 98.

3.3 Inverse Kinematics

To solve the inverse kinematics problem, the transformation quaternion is defined as

$$[R_w, T_w] = ([w, \langle a, b, c \rangle], \langle p_x, p_y, p_z \rangle) \quad (84)$$

where (R_w, T_w) represents the known orientation and translation of the robot end-effector with respect to the base. Let Q_i ($1 \leq i \leq 6$) denotes kinematics transformations describing the spatial relationships between successive coordinate frames along the manipulator linkages such as $Q_1 = (q_1, p_1)$, $Q_2 = (q_2, p_2) \dots$ $Q_6 = (q_6, p_6)$.

The quaternion vector products M_i and the quaternion vector pairs N_{j+1} are defined as

$$M_i = Q_i M_{i+1} \quad (85)$$

$$N_{i+1} = Q_i^{-1} N_i \quad (86)$$

where $1 \leq i \leq 5$. Note that $M_6 = Q_6$ and $N_1 = [R_w, T_w]$. In order to extract joint variables as functions of s, v, p_x, p_y, p_z and fixed link parameters, appropriate M_i and N_{j+1} terms are equated, such as $M_1 = N_1, M_2 = N_2 \dots M_6 = N_6$. For the reason of compactness, $\theta_i/2, \sin(\theta_i/2), \cos(\theta_i/2), \sin(\theta_i)$ and $\cos(\theta_i)$ will be represented as $\bar{\theta}_i, \bar{s}_i, \bar{c}_i, s_i$ and c_i respectively. The link transformation matrices were formerly developed. The inverse transformations can be written as follows using equation 67.

$$Q_1^{-1} = ([\bar{c}_1, -\bar{s}_1 < 0, 0, 1 >], < 0, -d_2, -h_1 >) \quad (87)$$

$$Q_2^{-1} = ([\bar{c}_2, \bar{s}_2 < 0, 1, 0 >], < 0, 0, -d_3 >) \quad (88)$$

$$Q_3^{-1} = ([1, < 0, 0, 0 >], < 0, 0, 0 >) \quad (89)$$

$$Q_4^{-1} = ([\bar{c}_4, -\bar{s}_4 < 0, 0, 1 >], < 0, 0, 0 >) \quad (90)$$

$$Q_5^{-1} = ([\bar{c}_5, -\bar{s}_5 < 0, 1, 0 >], < 0, 0, 0 >) \quad (91)$$

$$Q_6^{-1} = ([\bar{c}_6, -\bar{s}_6 < 0, 0, 1 >], < 0, 0, 0 >) \quad (92)$$

The quaternion vector products are

$$M_6 = Q_6 = ([c\bar{\theta}_6, s\bar{\theta}_6 < 0, 0, 1 >], < 0, 0, 0 >) \quad (93)$$

$$M_5 = Q_5 M_6 = ([\bar{c}_5 \bar{c}_6, < \bar{s}_5 \bar{s}_6, \bar{s}_5 \bar{c}_6, \bar{c}_5 \bar{s}_6 >], < 0, 0, 0 >) \quad (94)$$

$$M_4 = Q_4 M_5 = ([M_{41}, < M_{42}, M_{43}, M_{44} >], < 0, 0, 0 >) \quad (95)$$

where,

$$M_{41} = \bar{c}_5 \bar{c}_{(4+6)},$$

$$M_{42} = -\bar{s}_5 \bar{s}_{(4-6)},$$

$$M_{43} = \bar{s}_5 \bar{c}_{(4-6)} \text{ and}$$

$$M_{44} = \bar{c}_5 \bar{s}_{(6+4)}.$$

$$M_3 = Q_3 M_4 = ([M_{31}, < M_{32}, M_{33}, M_{34} >], < 0, 0, 0 >) \quad (96)$$

where,

$$M_{32} = M_{42},$$

$$M_{33} = M_{43} \text{ and}$$

$$M_{34} = M_{44}.$$

$$M_2 = Q_2 M_3 = ([M_{21}, < M_{22}, M_{23}, M_{24} >], < -d_3 s_2, 0, d_3 c_2 >) \quad (97)$$

where,

$$\begin{aligned} M_{21} &= \bar{c}_2 M_{41} - \bar{s}_2 M_{43}, \\ M_{22} &= \bar{c}_2 M_{42} - \bar{s}_2 M_{44}, \quad M_{23} = \bar{c}_2 M_{43} - \bar{s}_2 M_{41} \quad \text{and} \\ M_{24} &= \bar{c}_2 M_{44} + \bar{s}_2 M_{42}. \end{aligned}$$

$$M_1 = Q_1 M_2 = ([M_{11}, \langle M_{12}, M_{13}, M_{14} \rangle], \langle M_{15}, M_{16}, M_{17} \rangle) \quad (98)$$

where,

$$\begin{aligned} M_{11} &= \bar{c}_1 M_{21} - \bar{s}_1 (\bar{c}_2 M_{44} - \bar{s}_2 M_{42}), \\ M_{12} &= \bar{c}_1 M_{22} - \bar{s}_1 M_{23}, \\ M_{13} &= \bar{c}_1 M_{23} + \bar{s}_1 M_{22}, \\ M_{14} &= \bar{s}_1 M_{21} + \bar{c}_1 M_{24}, \\ M_{15} &= d_2 s\theta_1 - d_3 c\theta_1 s\theta_2, \\ M_{16} &= -d_2 c\theta_1 - d_3 s\theta_1 s\theta_2 \quad \text{and} \\ M_{17} &= h_1 + d_3 c\theta_2. \end{aligned}$$

The quaternion vector pairs are

$$N_1 = ([w, \langle a, b, c \rangle] \langle p_x, p_y, p_z \rangle) \quad (99)$$

$$N_2 = Q_1^{-1} N_1 = ([N_{21}, \langle N_{22}, N_{23}, N_{24} \rangle], \langle N_{25}, N_{26}, p_z - h_1 \rangle) \quad (100)$$

where,

$$\begin{aligned} N_{21} &= w\bar{c}_1 + c\bar{s}_1, \\ N_{22} &= a\bar{c}_1 + b\bar{s}_1, \\ N_{23} &= b\bar{c}_1 - a\bar{s}_1, \\ N_{24} &= c\bar{c}_1 - w\bar{s}_1, \\ N_{25} &= p_x c_1 + p_y s_1 \quad \text{and} \\ N_{26} &= -p_x s_1 + p_y c_1 - d_2. \end{aligned}$$

$$N_3 = Q_2^{-1} N_2 = ([N_{31}, \langle N_{32}, N_{33}, N_{34} \rangle], \langle N_{35}, N_{36}, N_{37} \rangle) \quad (101)$$

where,

$$\begin{aligned} N_{31} &= \bar{c}_2 N_{21} - \bar{s}_2 N_{24}, \\ N_{32} &= \bar{c}_2 N_{22} - \bar{s}_2 N_{23}, \\ N_{33} &= \bar{c}_2 N_{23} + \bar{s}_2 N_{22}, \\ N_{34} &= \bar{c}_2 N_{24} + \bar{s}_2 N_{21}, \\ N_{35} &= c_2 (p_x c_1 + p_y s_1) - s_2 (h_1 - p_z), \quad N_{36} = p_y c_1 - p_x s_1 - d_2, \\ N_{37} &= c_2 (p_z - h_1) - s_2 (p_x c_1 + p_y s_1) - d_3. \end{aligned}$$

$$N_4 = Q_3^{-1} N_3 = ([N_{41}, \langle N_{42}, N_{43}, N_{44} \rangle], \langle 0, 0, 0 \rangle) \quad (102)$$

where, $N_{41} = N_{31}$,

$$N_{42} = N_{32},$$

$$N_{43} = N_{33} \text{ and}$$

$$N_{44} = N_{34}.$$

The first joint variable θ_1 can be determined equating the second terms of M_2 and N_2 as follows.

$$\theta_1 = A \tan 2(p_x, -p_y) \pm A \tan 2(\sqrt{p_x^2 + p_y^2 - d_2^2}, d_2) \quad (103)$$

The joint variables θ_2 and d_3 are computed equating the first and third elements of M_3 and N_3 respectively.

$$\theta_2 = \pm A \tan 2(c\theta_1 p_x + s\theta_1 p_y, h_1 - p_z) \quad (104)$$

$$d_3 = -s\theta_2 (c\theta_1 p_x + s\theta_1 p_y) + c\theta_2 (p_z - h_1) \quad (105)$$

$$\bar{s}_5^2 = N_{42}^2 + N_{43}^2, \quad \bar{c}_5^2 = N_{41}^2 + N_{44}^2, \quad \tan(\bar{\theta}_4 + \bar{\theta}_6) = \frac{N_{44}}{N_{41}} \quad \text{and} \quad \tan(\bar{\theta}_4 - \bar{\theta}_6) = -\frac{N_{42}}{N_{43}}$$

equations can be derived form equating the terms M_4 to N_4 , where, $\bar{c}_5 \bar{c}_{(4+6)} = N_{41}$, $-\bar{s}_5 \bar{s}_{(4-6)} = N_{42}$, $\bar{s}_5 \bar{c}_{(4-6)} = N_{43}$ and $\bar{c}_5 \bar{s}_{(6+4)} = N_{44}$. In this case, the orientation angles of the Euler wrist can be determined as follows.

$$\theta_5 = \arctan 2\left(\pm \sqrt{N_{42}^2 + N_{43}^2}, \sqrt{N_{41}^2 + N_{44}^2}\right) \quad (106)$$

$$\theta_4 = \arctan\left(\frac{N_{44}}{N_{41}}\right) + \arctan\left(-\frac{N_{42}}{N_{43}}\right) \quad (107)$$

$$\theta_6 = \arctan\left(\frac{N_{44}}{N_{41}}\right) - \arctan\left(-\frac{N_{42}}{N_{43}}\right) \quad (108)$$

4. References

- Denavit, J. & Hartenberg, R. S. (1955). A kinematic notation for lower-pair mechanisms based on matrices. *Journal of Applied Mechanics*, Vol., 1 (June 1955) pp. 215-221
- Funda, J.; Taylor, R. H. & Paul, R.P. (1990). On homogeneous transforms, quaternions, and computational efficiency. *IEEE Trans.Robot. Automat.*, Vol., 6 (June 1990) pp. 382-388
- Kucuk, S. & Bingul, Z. (2004). The Inverse Kinematics Solutions of Industrial Robot Manipulators, *IEEE Conferance on Mechatronics*, pp. 274-279, Turkey, June 2004, Istanbul
- Craig, J. J. (1989). *Introduction to Robotics Mechanics and Control*, USA:Addision-Wesley Publishing Company
- Hamilton, W. R. (1869). *Elements of quaternions*, Vol., I & II, Newyork Chelsea
- Salamin, E. (1979). *Application of quaternions to computation with rotations*. Tech., AI Lab, Stanford Univ., 1979
- Kotelnikov, A. P. (1895). *Screw calculus and some of its applications to geometry and mechanics*. Annals of the Imperial University of Kazan.
- Pervin, E. & Webb, J. A. (1983). Quaternions for computer vision and robotics, *In conference on computer vision and pattern recognition*. pp 382-383, Washington, D.C.
- Gu, Y.L. & Luh, J. (1987). Dual-number transformation and its application to robotics. *IEEE J. Robot. Automat.* Vol., 3, pp. 615-623
- Kim, J. H. & Kumar, V. R. (1990). Kinematics of robot manipulators via line transformations. *J. Robot. Syst.*, Vol., 7, No., 4, pp. 649-674
- Caccavale, F. & Siciliano, B. (2001). Quaternion-based kinematic control of redundant spacecraft/ manipulator systems, *In proceedings of the 2001 IEEE international conference on robotics and automation*, pp. 435-440
- Rueda, M. A. P.; Lara, A. L. ; Marinero, J. C. F.; Urrecho, J. D. & Sanchez, J.L.G. (2002). Manipulator kinematic error model in a calibration process through quaternion-vector pairs, *In proceedings of the 2002 IEEE international conference on robotics and automation*, pp. 135-140



Industrial Robotics: Theory, Modelling and Control

Edited by Sam Cubero

ISBN 3-86611-285-8

Hard cover, 964 pages

Publisher Pro Literatur Verlag, Germany / ARS, Austria

Published online 01, December, 2006

Published in print edition December, 2006

This book covers a wide range of topics relating to advanced industrial robotics, sensors and automation technologies. Although being highly technical and complex in nature, the papers presented in this book represent some of the latest cutting edge technologies and advancements in industrial robotics technology. This book covers topics such as networking, properties of manipulators, forward and inverse robot arm kinematics, motion path-planning, machine vision and many other practical topics too numerous to list here. The authors and editor of this book wish to inspire people, especially young ones, to get involved with robotic and mechatronic engineering technology and to develop new and exciting practical applications, perhaps using the ideas and concepts presented herein.

How to reference

In order to correctly reference this scholarly work, feel free to copy and paste the following:

Serdar Kucuk and Zafer Bingul (2006). Robot Kinematics: Forward and Inverse Kinematics, Industrial Robotics: Theory, Modelling and Control, Sam Cubero (Ed.), ISBN: 3-86611-285-8, InTech, Available from: http://www.intechopen.com/books/industrial_robotics_theory_modelling_and_control/robot_kinematics__forward_and_inverse_kinematics

INTECH
open science | open minds

InTech Europe

University Campus STeP Ri
Slavka Krautzeka 83/A
51000 Rijeka, Croatia
Phone: +385 (51) 770 447
Fax: +385 (51) 686 166
www.intechopen.com

InTech China

Unit 405, Office Block, Hotel Equatorial Shanghai
No.65, Yan An Road (West), Shanghai, 200040, China
中国上海市延安西路65号上海国际贵都大饭店办公楼405单元
Phone: +86-21-62489820
Fax: +86-21-62489821

© 2006 The Author(s). Licensee IntechOpen. This chapter is distributed under the terms of the [Creative Commons Attribution-NonCommercial-ShareAlike-3.0 License](https://creativecommons.org/licenses/by-nc-sa/3.0/), which permits use, distribution and reproduction for non-commercial purposes, provided the original is properly cited and derivative works building on this content are distributed under the same license.

IntechOpen

IntechOpen