

**TRENDS IN MANUFACTURING TECHNOLOGY AND
MANAGEMENT IN NIGERIAN**

First Published 1995

© AMA RESOURCES NIG. LTD.

All rights reserved. No part of this book may be reproduced, stored in a retrieval system or transmitted in any form by any means, electronic or mechanical, without the prior permission of the publisher.

ISBN 978 - 31624 - 5 - 4

AMA RESOURCES NIG. LTD.,
P.O. BOX 5224, Area 10, Garki,
Abuja, Nigeria.

P.O. Box 10086, Ugbowo,
Benin City, Nigeria.
ABN: 0 - 512 - 95200.

CONTENTS

Part One: Trends in Manufacturing Technology in Nigeria.

<u>CHAPTER</u>	<u>PAGE</u>
1. Design Construction and Preliminary Testing of a Distributing Transformer. S.T. Wara, C.A. Anyaeji and P.A. Kuale	1-10
2. Design and Manufacture of a Garri Frying Machine T.E. Dime, O.N. Dime	11-17
3. Compressed Air Powered Table Fan for Rural Communities A.R. Morgridge	18-29
4. The Design and Manufacture of Palm Oil Storage Vessels J.U. Okoli	30-35
5. Relevance of Microstructures to Manufacturing Processes C.M. Kamma	36-50
6. Safety Analysis for Engineering Design J.O. Afolayan	51-61
7. The Transdesign, Widning and Testing of a Disused 4-Pole Squirrel Cage Single-phase Induction Motor for 4-pole, three-phase operation. C.A. Anyaeji, S.B. Ibrahim and S.T. Wara.	62-68
Part Two: Trends in Manufacturing Management in Nigeria.	
1. Up-grading Traditional Production Process to a Sustainable Level for Manufacturing Economy Through Continuing Engineering Education A.O.A. Ibadode	69-73
2. Environmentally Sound Manufacturing Technology in Nigeria J.C. Aguwamba	74-85
3. Quality Control Techniques in Foundry Industries A.K. Oyinlola	86-92
4. Application of MTM-2 data Card in Computer aided design workplace assembly layout U.J. Udosen	93-103
5. Design of a Computer Based Maintenance Management Systems for Industries A. Ofiong	104-114
6. Industrial Development in Developing Countries - A System Approach. J.C. Nwachukwu.	115-120
7. Condition Monitoring Techniques Need Not be very Sophisticated and expensive J.C. Nwachukwu	121-127
8. Technology Transfer and Continuing Engineering Education A.O.A. Ibadode	128-132
9. Computerised Layout Planning Heuristic and Systematic Layout Planning as Applied to a Service Production System U.J. Udosen	133-145
10. Management and Maintenance of Rural Markets/Parks Akin Ogunje.	146-151
11. Basic Quality Control and Quality Assurance in Production Processes. M.A. Anyiwe and T.E. Dime.	152-160

7 THE TRANSDSIGN, WINDING AND TESTING OF A DISUSED 4-POLE SQUIRREL CAGE SINGLE-PHASE INDUCTION MOTOR FOR 4-POLE, THREE-PHASE OPERATION

C. A. ANYAEJI
S. B. IBRAHIM
S. T. WARA

1. INTRODUCTION

The rewinding of a burnt-out induction motor stator is a painstaking exercise involving mainly the faithful copying of the existing winding. To achieve this, the data of the original winding must be carefully taken. This includes:

- (i) different types of coils that may be present;
- (ii) the disposition of the coils;
- (iii) the number of turns in each coil, and
- (iv) the conductor size used in each coil type.

Faithful recording of the above requires skill and dedication on the part of the person engaged in the rewinding. The skills are acquired by proper knowledge gained from experienced personnel by using the appropriate equipments such as micrometer screw gauge and techniques. This situation is not usually readily available in Nigeria as the amateur rewinder usually picks up the technique half baked and with the use of make-shift methods from low level apprenticeship. It should be noted that any error in any of the four items of information above will result in wrong rewinding with consequent malfunction of the motor subsequently. Once this error is made, it is very difficult if not impossible to correct. The result of the above is the abundance of disused induction motors in industries and elsewhere all in Nigeria.

In the work reported here, an attempt is made to put the disused motors to some form of use by redesigning the stator. Starting from the easy case, the redesign for three-phase operation is undertaken.

2. MOTOR DATA

The motor has no name-plate and hence name plate data were not available. However, physical measurements were made and the values are given below:-

Axial length of stator core	= 44.4mm
Bore diameter	= 78mm
Rotor diameter	= 76.45mm
Airgap length	= 0.78mm
Number of stator slots	= 36mm
Number of lamination in the stator core	= 70

It is known that for such motors in service, the synchronous speed is 1500 rev/min. Thus the number of magnetic poles is 4.

3. STATOR WINDING REDESIGN DATA

3.1 Slot Allocation

Since there are altogether 36 slots; thus for 4-pole operation there will be 9 slots per pole and 3 slots per pole per phase.

$$\text{Slot angle} = \frac{180^\circ}{9} = 20^\circ \text{ (electrical).}$$

For an unbifurcated concentric winding, the winding factor considering three coils per pole per phase will be - $K_{wl} = 0.8544$.

3.6 Conductor Size

This can be evaluated from any of these:

- (i) current density approach; or
- (ii) slot-fullness approach.

The use of method (i) gave wire size as SWG22 ($d = 0.71\text{mm}$) for a current density of 3.88A/mm^2 . Unfortunately this size could not be accommodated in the slots. The second approach (slotfullness) was then used. This gave the size as SWG25. This was finally used as the wire could be accommodated.

4. CONSTRUCTION

4.1. Winding of the Stator

The stand hand method was used. The coils were made on a suitable former and then placed inside the appropriate slots have been appropriately insulated. The coils were labelled appropriately to facilitate connections. The coils themselves were hand made. Alternatively, they could have been machine-wound but it is better training to use the manual method as the coil winding machine is most unlikely to be available to the individual easily.

After the coils had been placed into slots the end connections were made and preliminary tests carried out. These include continuity tests and insulation tests. The stator is connected in star. The developed diagram of the winding is shown in Figure 1.

4.2 Varnishing and Baking

The stator windings were varnished and baked in a locally-made oven. The baking was done twice. The first time for four hours and then left to cool till the next day by which time it was again baked for another four hours.

4.3 Assmbling of Motor

After the baking, the motor was assembled, care being taken to ensure that the end plates did not injure the end windings.

5. TESTING

The following major tests were carried out:

- (i) Insulation resistance;
- (ii) Temperature rise;
- (iii) No-load;
- (iv) Locked Rotor (short-circuit) test.

5.1 Insulation Resistance Test

This was carried out with a megger connected between the phase terminal and the earth. The results are as follows:

Phase A - 4.0 Megaohm; Phase B - 3.5 Megaohm; Phase C - 4.0 Megaohm.

5.2 Temperature Rise Test

This test can be carried out by:

- (i) direct mechanical loading; or
- (ii) coupled dc or a.c generator.

The objective is to load motor and observe the temperature rise, specifically note the highest temperature reached.

The monitoring of the temperature can be done in one of several ways. Thus a thermocouple can be included in the winding. A thermometer can also be used. The disadvantage of the latter method is that it will not usually monitor the hot spots. However, this second method was used in the work. The result is given below. No-load running for 15 minutes, observed temperature rise = 17 centigrade degree. The desired temperature rise is the one at full load.

5.3 No-load Test

The motor was connected to the mains, switched on and the following readings taken:

Line Voltage (Y)(V)	Line Current (A)			Power (W)		Speed (rev/min)
	IA	IB	IC	W1	W2	
400	0.4	0.4	0.4	70	0	1200

5.4 Locked rotor (Short-Circuit) Test

The rotor was mechanically prevented from rotating and a reduced voltage applied to the stator. The following results were obtained.

Line Voltage (Y)(V)	Line Current (A)			Power (W)		
	1A	1B	1C	W1	W2	W1 + W2
240V	1.1	1.2	1.3	220	80	300

5.5 Load Test

This test was not carried out by arrangements are under way to do so. It involves finding a suitable load for the motor. It could easily be used to drive a d.c. generator loaded by resistance bank.

6. ANALYSIS OF RESULTS

The test results 5.3 and 5.4 above were analysed to obtain actual performance parameters and compare same with values calculated theoretically. In addition the circle diagram was drawn for the machine. From test 5.3, the magnetising parameters were evaluated, and from test 5.4 the short circuit parameters were evaluated. Thus the equivalent circuit was fully determined and drawn as shown in Figure 2.

7. COMPARISON OF RESULTS

The predicted values of performance parameters were compared with test results and these are shown in the Table below.

PARAMETER	PREDICTED	DEDUCED FROM TESTS
Full load efficiency	63%	66%
Maximum output	677 watts	339 watts
Full load slip	0.06 p.u.	0.136 p.u.
Full load current	1.4A	0.77A
Power factor	0.68	0.77

CONCLUSION

The results obtained from the work are very encouraging, so much so that further work is going on in the project. Another disused, this time a bigger machine, is being transdesigned again from single-phase to three-phase operation. It is hoped that in the end a computer aided approach will become operation and thus motors can very quickly be rehabilitated.

AKNOWLEDGEMENT

The principal author wishes to acknowledge with greatest sincerity the invaluable help obtained from Engr. Professor P.A. Kuale in this exercise. Professor Kuale literally used force to get this work published. But for this his input, the work would have been filed away as has happened to many others, without being published (C.A. Anyaeji).

0. REFERENCES

1. Say, M.C., Performance and Design of A.C. Machine
3rd Ed., Pitman Publishing Ltd.

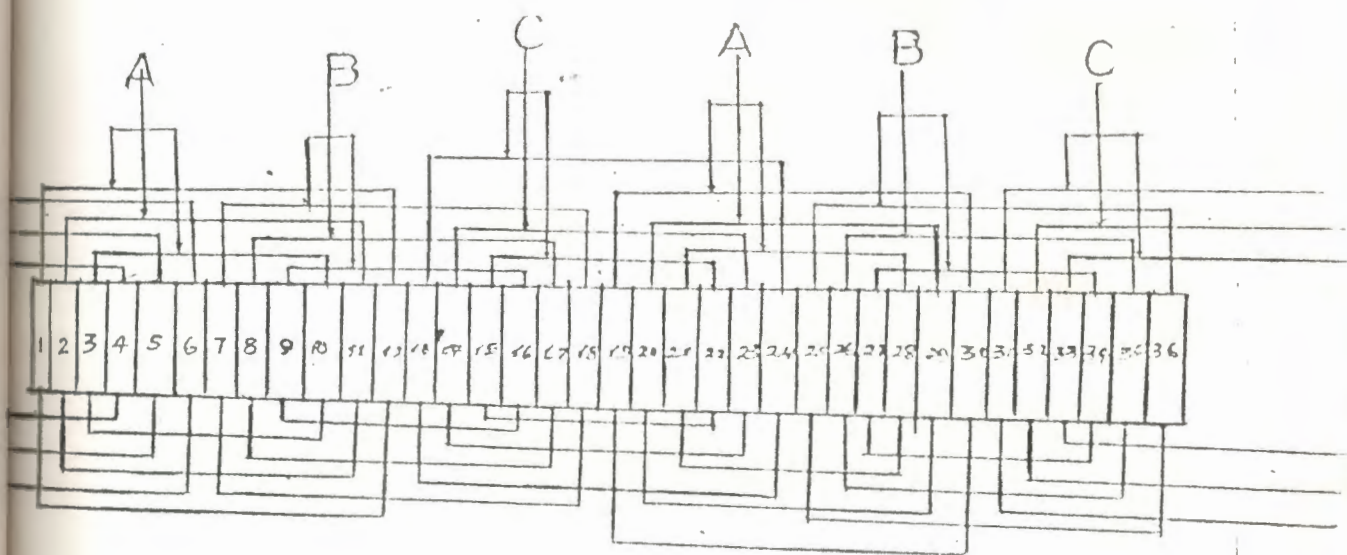


Fig-1 : Developed Diagram Of The Winding
(Concentric Type)