



an the
n order
e dish
ed with
ng foil.
e ideal
offset

erature
ensity
ows a
odule.
y wire
ments

tion of
a solar
es the
ximum
l cycle

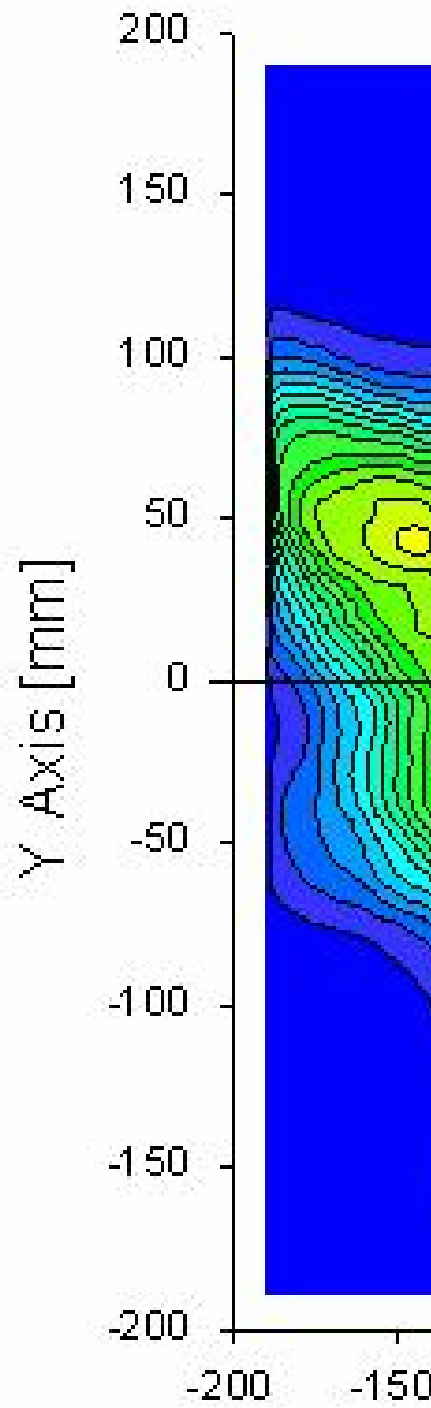
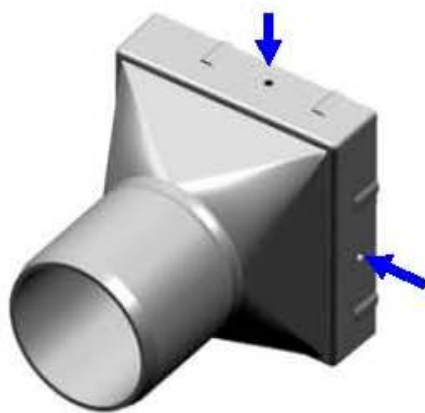


Fig. 4

