



University of HUDDERSFIELD

University of Huddersfield Repository

Silkstone, Robert, Anderson, Benjamin, Broadbent, Matthew, Brumwell, Charlie and Edward, Dawson

A door lock only accessible from one side at a time

Original Citation

Silkstone, Robert, Anderson, Benjamin, Broadbent, Matthew, Brumwell, Charlie and Edward, Dawson (2016) A door lock only accessible from one side at a time. In: Secure Societies Institute Launch, 17th March 2016, 3m Buckley Innovation Centre, Huddersfield.

This version is available at <http://eprints.hud.ac.uk/27929/>

The University Repository is a digital collection of the research output of the University, available on Open Access. Copyright and Moral Rights for the items on this site are retained by the individual author and/or other copyright owners. Users may access full items free of charge; copies of full text items generally can be reproduced, displayed or performed and given to third parties in any format or medium for personal research or study, educational or not-for-profit purposes without prior permission or charge, provided:

- The authors, title and full bibliographic details is credited in any copy;
- A hyperlink and/or URL is included for the original metadata page; and
- The content is not changed in any way.

For more information, including our policy and submission procedure, please contact the Repository Team at: E.mailbox@hud.ac.uk.

<http://eprints.hud.ac.uk/>

A door lock only accessible from one side at a time

Product Design BA/BSc Yr.1 Lead Supervisor: R. Silkstone r.silkstone@hud.ac.uk
 Authors: B. Anderson, M. Broadbent, C. Brumwell, E. Dawson

BLOCK

A retrofit replacement to a Euro profile cylinder lock, ideal for secondary doors which are rarely accessed from the outside of a property.



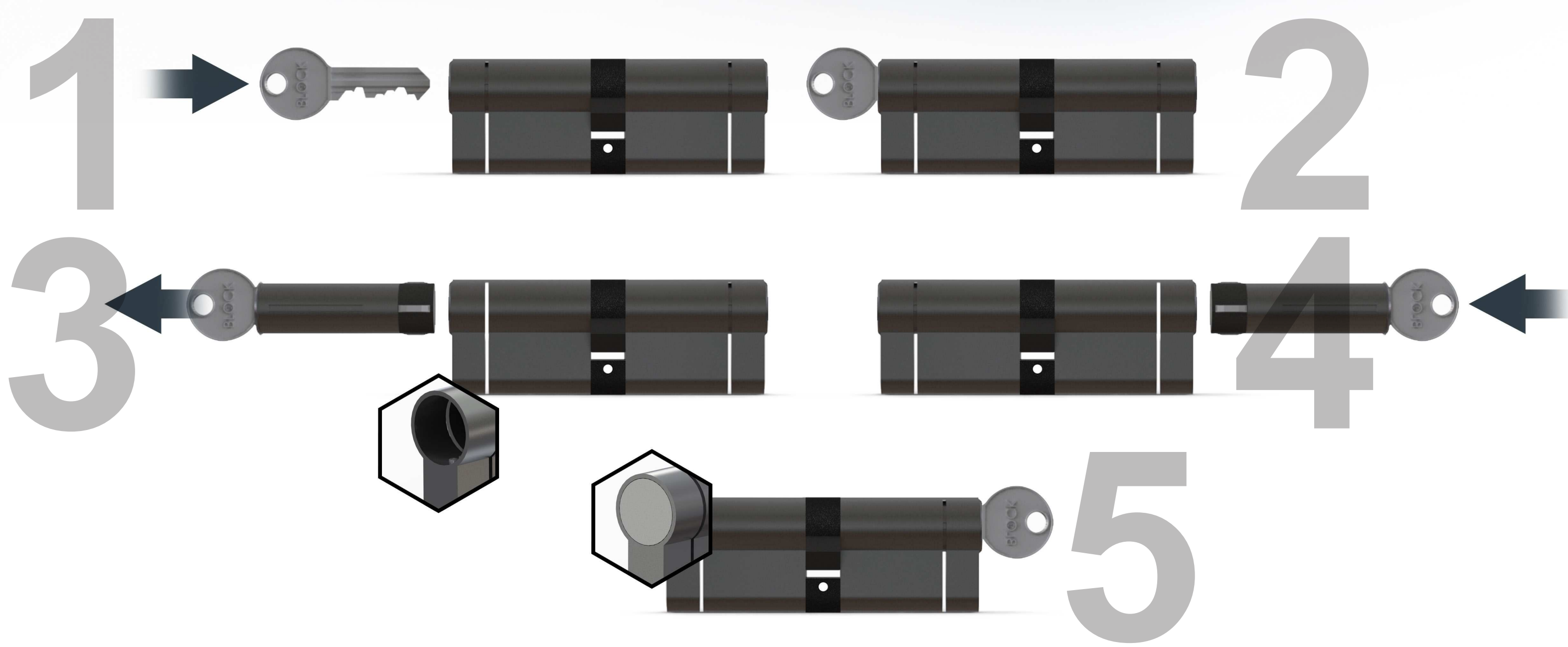
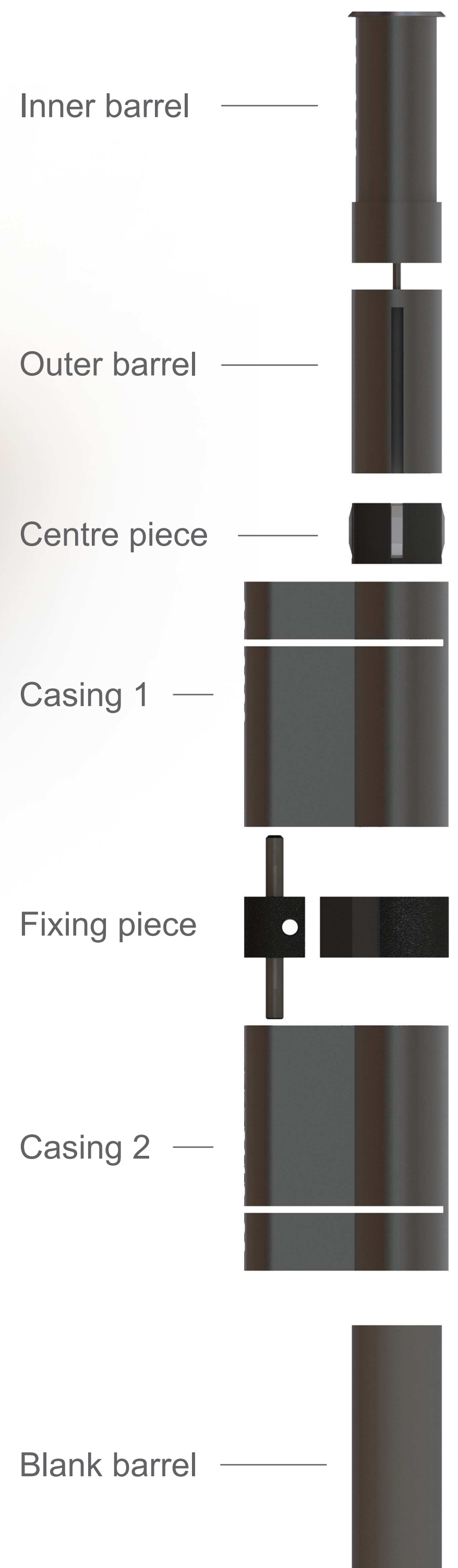
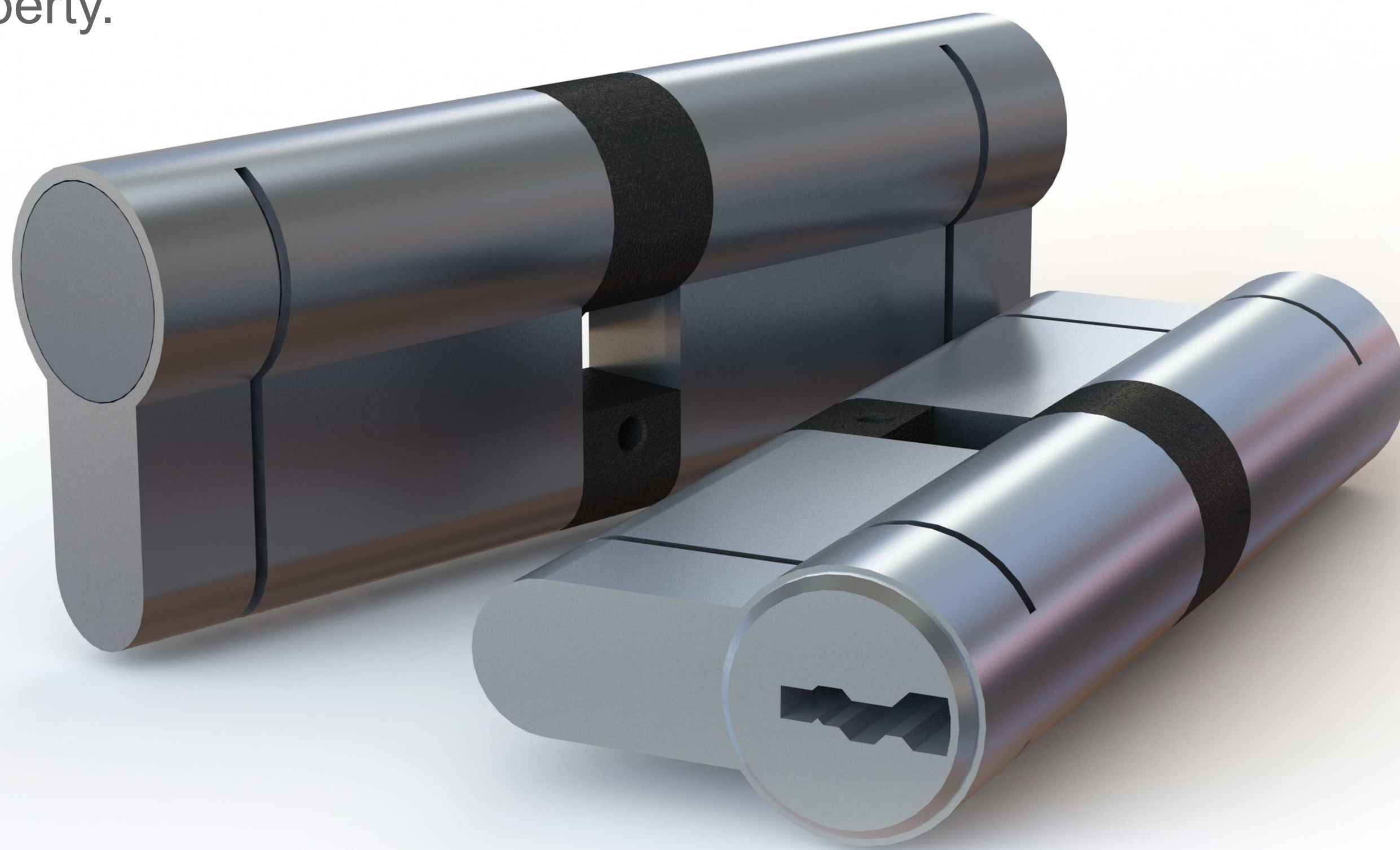
Retrofit replacement



Unpickable blank face



Alarm system option



Research question / opportunity

“32% of all burglaries involve the breaking of a lock” [1]
 “40% of all burglaries happen at the back of a house” [2]

Euro profile cylinder locks are particularly vulnerable at the rear of a property as a burglar will usually have some form of cover. Rear doors and patio doors are rarely accessed from the outside by the owner and the vast majority of doors utilise Euro profile cylinder locks. As a consequence, making this lock inaccessible ensures the lock is much less vulnerable.

Conclusions / recommendations

This lock with the blank face set to the exterior of the property looks different and is intended to act as a visual deterrent and prevent a criminal attack. That being said, It works in a very similar way to a standard lock from the key hole side and therefore familiar to the user. Further development could explore the possibility and method of how to utilise the space available in the blank barrel to connect to the house alarm. Further still the lock could be designed to deform when under attack jamming the door if it is tampered with or struck.

References

- Office for National Statistics (2016)
 Retrieved from <http://www.ons.gov.uk/peoplepopulationandcommunity/crimeandjustice/bulletins/crimeinenglandandwales/2015-07-16#robbery>
- Crime Survey for England and Wales (2016)
 Retrived from <http://www.crimesurvey.co.uk/>