



Aalborg Universitet

AALBORG UNIVERSITY
DENMARK

A communication-free decentralized control for grid-connected cascaded pv inverters

Su, Mei; Luo, Chao; Hou, Xiaochao; Yuan, Wenbin; Liu, Zhangjie; Han, Hua; Guerrero, Josep M.

Published in:
Energies

DOI (link to publication from Publisher):
[10.3390/en11061375](https://doi.org/10.3390/en11061375)

Creative Commons License
CC BY 4.0

Publication date:
2018

Document Version
Publisher's PDF, also known as Version of record

[Link to publication from Aalborg University](#)

Citation for published version (APA):
Su, M., Luo, C., Hou, X., Yuan, W., Liu, Z., Han, H., & Guerrero, J. M. (2018). A communication-free decentralized control for grid-connected cascaded pv inverters. *Energies*, 11(6), 1-18. [1375].
<https://doi.org/10.3390/en11061375>

General rights

Copyright and moral rights for the publications made accessible in the public portal are retained by the authors and/or other copyright owners and it is a condition of accessing publications that users recognise and abide by the legal requirements associated with these rights.

- ? Users may download and print one copy of any publication from the public portal for the purpose of private study or research.
- ? You may not further distribute the material or use it for any profit-making activity or commercial gain
- ? You may freely distribute the URL identifying the publication in the public portal ?

Take down policy

If you believe that this document breaches copyright please contact us at vbn@aub.aau.dk providing details, and we will remove access to the work immediately and investigate your claim.

Article

A Communication-Free Decentralized Control for Grid-Connected Cascaded PV Inverters

Mei Su ¹, Chao Luo ¹, Xiaochao Hou ¹ , Wenbin Yuan ¹, Zhangjie Liu ^{1,*}, Hua Han ¹
and Josep M. Guerrero ² 

¹ School of Information Science and Engineering, Central South University, Changsha 410083, China; sumeicsu@mail.csu.edu.cn (M.S.); luochaoforyou@csu.edu.cn (C.L.); houxc10@csu.edu.cn (X.H.); yuanwenbin@csu.edu.cn (W.Y.); hua_han@126.com (H.H.)

² Department of Energy Technology, Aalborg University, DK-9220 Aalborg East, Denmark; joz@et.aau.dk

* Correspondence: zhangjieliu@csu.edu.cn; Tel.: +86-158-0262-1074

Received: 25 April 2018; Accepted: 25 May 2018; Published: 28 May 2018



Abstract: This paper proposes a communication-free decentralized control for grid-connected cascaded PV inverter systems. The cascaded PV inverter system is an AC-stacked architecture, which promotes the integration of low voltage (LV) distributed photovoltaic (PV) generators into the medium/high voltage (MV/HV) power grid. The proposed decentralized control is fully free of communication links and phase-locked loop (PLL). All cascaded inverters are controlled as current controlled voltage sources locally and independently to achieve maximum power point tracking (MPPT) and frequency self-synchronization with the power grid. As a result, control complexity as well as communication costs are reduced, and the system's reliability is greatly enhanced compared with existing communication-based methods. System stability and dynamic performance are evaluated by small-signal analysis to guide the design of system parameters. The feasibility and effectiveness of the proposed solution are verified by simulation tests.

Keywords: cascaded inverters; PV inverters; PV generation architecture; decentralized control; frequency self-synchronization

1. Introduction

Photovoltaic generation is considered to be a potential substitute for traditional fossil fuels due to its cleanness and sustainability [1,2]. For a grid-connected photovoltaic (PV) generation system, desirable traits such as low cost, high efficiency, strong scalability, and high reliability should be taken into account. Particularly, the power conditioning stage configuration of PV generation systems is vital for a PV generation system to ensure the supply of the maximum active power available to the grid [3–6].

Over the past decades, many types of grid-connected PV generation architectures have been proposed. Among these PV generation configurations, the PV string centralized inverter architecture, cascaded DC/DC power optimizer architecture, differential power processing architecture, standard parallel inverter architecture and the multilevel cascaded H-Bridge architecture are five typical topologies (shown in Figure 1a–e, respectively) [7–25].

The PV string centralized inverter architecture, cascaded DC/DC power optimizer architecture and differential power processing architecture in Figure 1a–c all depend on a centralized interfacing inverter which interlinks with the grid. However, the limited power rating of the centralized inverter limits the capacity and scalability of the PV string. In Figure 1a, the output ports of the PV panels in the PV string centralized inverter architecture are connected in series and form a high DC-link voltage to match the grid voltage [8,9]. Then, the accumulated high DC voltage is inverted by a centralized

inverter to achieve maximum power point tracking (MPPT) in the PV string. Since high voltage amplification is avoided, this system configuration has the advantages of high efficiency and low cost. For the cascaded DC/DC power optimizer architecture in Figure 1b, each PV panel is interfaced with a DC/DC power optimizer. Then, the output ports of these DC optimizers are connected in series to generate a higher DC voltage [10,11]. A high DC voltage gain in each DC/DC converter is not required and the distributed MPPT algorithm can be applied to the DC optimizers to achieve optimal energy capture of all PV panels. However, the reliability of maximum power extraction from each PV module is vulnerable when there is a mismatch between the distributed MPPT algorithm in the DC optimizers and the centralized MPPT algorithm in the centralized inverter [12–14]. Other than the cascaded DC/DC power optimizer architecture, the differential power processing architecture in Figure 1c is able to deal with the local mismatch to achieve local MPPT of each PV panel using low voltage (LV) power electronic devices [15,16]. So, differential power processing architecture suggests the potential to improve the efficiency and reliability.

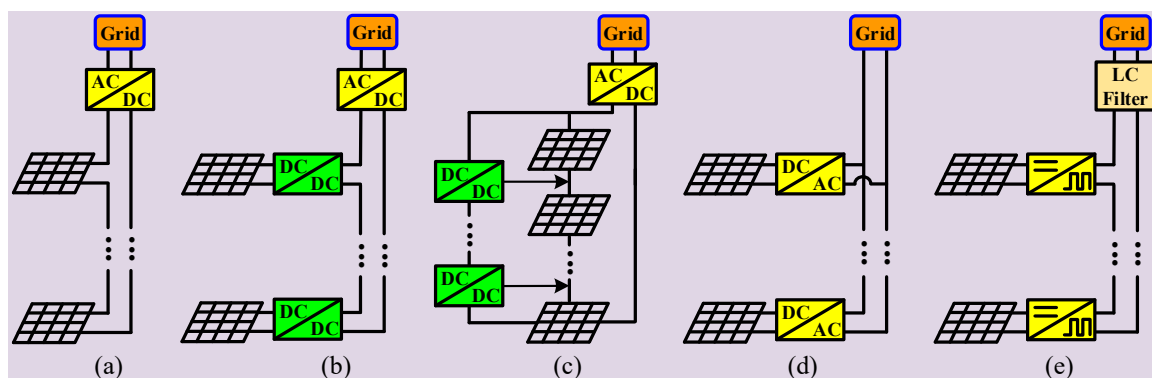


Figure 1. Five typical photovoltaic (PV) generation topologies. (a) PV string centralized inverter architecture. (b) Cascaded DC/DC power optimizer architecture. (c) Differential power processing architecture. (d) Standard parallel inverter architecture. (e) Multilevel cascaded H-Bridge architecture.

Without the centralized interfacing inverter, the standard parallel inverter architecture shown in Figure 1d equips each PV panel with an independent interfacing inverter. The distributed MPPT algorithm is implemented in each parallel inverter to achieve maximum energy capture [17,18]. This topology exhibits the merits of high reliability, modularity for production and flexibility for plug and play. However, in order to match the grid voltage, a step-up transformer with high voltage gain is necessary for each PV module. So, relatively low efficiency and high cost are the drawbacks of this topology [19].

To improve the efficiency and lower the cost, the multilevel cascaded H-bridge architecture shown in Figure 1e promising PV generation configuration—has been investigated extensively [20–25]. Compared with standard parallel inverter architecture, the high frequency isolated transformer with high voltage gain is removed. An equivalent staircase output voltage is synthesized by the DC-link voltage of each PV module to match the grid voltage. Therefore, high system efficiency is achieved. Furthermore, this system configuration makes it much easier for LV PV modules to be integrated into the MV/HV grid. However, since all of the cascaded H-Bridge inverters are connected to the grid through a centralized LC filter, existing control methods for this topology are all dependent on the existence of centralized communication to coordinate the cascaded H-bridge inverters. Obviously, the reliance on centralized communication reduces the system’s reliability and increases the communication costs.

Recently, a series-connected microinverter-based grid-connected PV generation system was proposed [26]. In this set up, a high step-up power conditioning stage for each PV panel is not needed. In addition, each cascaded inverter has an independent output LC filter; thus, the output

voltage of each inverter is controlled at the grid frequency, and all AC output voltages of these cascaded inverters are stacked up to match the grid voltage directly. Other than the multilevel cascaded H-bridge architecture, the system configuration in [26] facilitates the implementation of distributed control or even, fully decentralized control.

Based on the system configuration in [26], several communication-based control methods have been proposed [27–31]. In [27], a distributed autonomous control was first proposed. A fast output active power control loop and a slow voltage control loop were designed to achieve MPPT of all the PV modules simultaneously. However, this dynamic process and its reactive power regulation have not been discussed. Then, an improved distributed power control was proposed by [28] in which all cascaded inverters are controlled as voltage sources. With this distributed power control, the output active power and reactive power are regulated simultaneously to achieve MPPT of all the PV modules. On the other hand, refs. [29,30] proposed a hybrid current–voltage control scheme in which one of the cascaded PV inverters is controlled as a current source to regulate the line current, and other inverters are controlled as voltage sources to build up the voltage at the point of common coupling (PCC). In this way, the MPPT operations of all cascaded inverters are well ensured. However, the methods described in references [27–30] all require low-bandwidth communication links and phase-locked loops (PLL) to transfer the grid synchronization signal to each inverter. Different from references [27–30], reference [31] proposed a control method that equips each PV inverter string with a centralized controller to coordinate all cascaded inverters. In other words, centralized communication is required to make each inverter achieve an optimal power output. Obviously, the reliance of all cascaded inverters on low-bandwidth communication links [27–31] reduces the system’s reliability to a great extent due to the risk of case of communication failure. Moreover, the communication costs are high. In addition, the system modeling and stability proof of the proposed control methods in [27–31] were not derived.

According to the analysis above, no communication-free decentralized controls have been reported for the grid-connected cascaded PV inverter system. So, the starting point of this study was to design a fully communication-free decentralized control. In view of this, this paper proposes a communication-free decentralized control for the grid-connected cascaded PV inverter system, so as to improve the system’s reliability and reduce control complexity as well as communication costs. Similar to the system architecture in references [26–31], each cascaded inverter in the grid-connected cascaded PV inverter system has an independent output LC filter. A two-stage power conditioning stage with only low voltage gain is adopted, mainly to ensure a constant DC-link voltage for each cascaded inverter. The proposed communication-free decentralized control has two main contributions: (1) MPPT of all the cascaded PV converter units are achieved in a fully decentralized manner without any communication links; and (2) the frequency can self-synchronize with the grid and PLL is avoided. In this way, the system reliability is greatly improved compared with existing communication-dependent control methods. Thus, communication costs are reduced. Small-signal modeling and eigenvalue analysis are conducted to evaluate the system’s stability under the proposed control and to help with the design of the system parameters. Simulation results are provided to verify the feasibility and effectiveness of the proposed control method.

The rest of this paper is organized as follows: In Section 2, the proposed system configuration is introduced, and power transfer characteristics are derived. In Section 3, the proposed communication-free decentralized control is elaborated. In Section 4, small-signal modeling and eigenvalue analysis are conducted. The simulation results are provided in Section 5. Conclusions are finally drawn in Section 6.

2. System Configuration and Power Transfer Characteristics

2.1. System Configuration

The configuration of the studied grid-connected cascaded PV inverter architecture with n PV inverter units is presented in Figure 2. Each PV converter unit contains a set of PV panels, a low-gain

DC/DC converter, and a single phase full bridge inverter with an independent output LC filter. This configuration aims to supply the maximum power available to the utility grid from the solar energy captured by the PV panels.

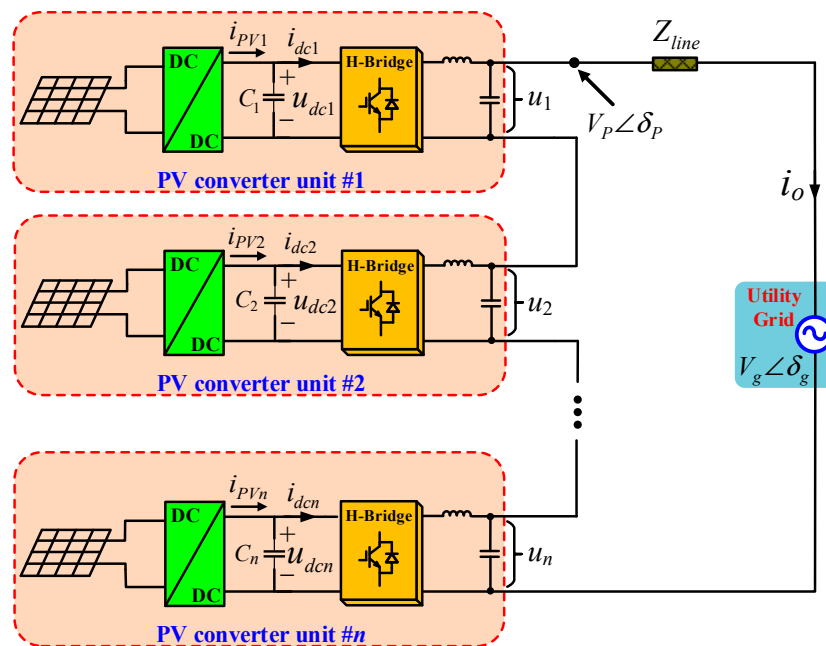


Figure 2. Configuration of the grid-connected cascaded PV inverter system.

Compared with other existing PV generation architectures, the grid-connected cascaded PV inverter system has obvious advantages, as follows:

- Interfacing inverters in the grid-connected cascaded PV inverter system are distributed but not centralized. Thus, the capacity limitation of the system caused by the centralized interfacing inverter is avoided. So, the scalability of this system configuration for MV/HV and the high-capacity PV grid-connection are enhanced;
- Each cascaded PV inverter has an independent output LC filter. The output voltage of each inverter is at grid frequency, indicating that distributed control and decentralized control are much easier to be realized. If so, system reliability can be improved significantly since centralized communication is avoided compared with multilevel cascaded H-bridge architecture;
- The output AC voltages of all the cascaded inverters are stacked up to match the grid voltage directly. This makes it much easier for LV PV generators to be integrated into the MV/HV grid since a high step-up transformer is avoided.
- On one hand, the step-up transformer is avoided compared with standard parallel inverter architecture. On the other hand, the studied cascaded PV inverter system enables a higher switching frequency and output LC filter components are thus shrunk [29,30]. So, losses are reduced, and higher efficiency is obtained [32].
- The low-gain two-stage power conditioning stage in each PV inverter unit can provide a constant DC-link voltage for each PV inverter;
- Each cascaded PV converter unit can be modularized for mass production.

2.2. Power Transfer Characteristics

According to Figure 2, the instantaneous output active power and reactive power of the i -th ($i = 1, 2, \dots, n$) PV inverter, namely p_i and q_i , are calculated with

$$p_i = \operatorname{Re} \left\{ V_i e^{j\delta_i} \left(\frac{V_P e^{j\delta_P} - V_g e^{j\delta_g}}{|Z_{line}| e^{j\theta_{line}}} \right)^* \right\}, \quad (1)$$

$$q_i = \operatorname{Im} \left\{ V_i e^{j\delta_i} \left(\frac{V_P e^{j\delta_P} - V_g e^{j\delta_g}}{|Z_{line}| e^{j\theta_{line}}} \right)^* \right\}, \quad (2)$$

where V_i and δ_i denote the output voltage amplitude and phase of the i -th PV inverter. V_g and δ_g represent the grid voltage amplitude and phase angle. V_P and δ_P are the voltage amplitude and phase angle at the point of common coupling (PCC). $|Z_{line}|$ and θ_{line} are the amplitude and phase angle of the line impedance, respectively. As is often the case, Z_{line} is mainly inductive.

For this cascaded PV inverter architecture, the output voltages of all PV inverters sum up to

$$V_P e^{j\delta_P} = \sum_{j=1}^n V_j e^{j\delta_j}. \quad (3)$$

By substituting (3) into (1) and (2), the instantaneous output active power and reactive power of the i -th inverter are then rewritten as

$$p_i = \sum_{j=1}^n \frac{V_i V_j}{|Z_{line}|} \cos(\delta_{line} + \delta_i - \delta_j) - \frac{V_i V_g}{|Z_{line}|} \cos(\delta_{line} + \delta_i - \delta_g), \quad (4)$$

$$q_i = \sum_{j=1}^n \frac{V_i V_j}{|Z_{line}|} \sin(\delta_{line} + \delta_i - \delta_j) - \frac{V_i V_g}{|Z_{line}|} \sin(\delta_{line} + \delta_i - \delta_g). \quad (5)$$

3. Proposed Communication-Free Decentralized Control

3.1. Proposed Communication-Free Decentralized Control

In this section, a communication-free decentralized control strategy for the grid-connected cascaded PV inverter system is proposed. As all cascaded inverters share the same output current (i_o) in Figure 2, we only need to independently regulate the output active power of each inverter by controlling their output voltages. The proposed control is expressed as

$$\begin{cases} \omega_i = \underbrace{\omega^* - m_i(P_i - P_i^*)}_{\text{First term}} + \underbrace{\left(K_{P_i} + \frac{K_{I_i}}{s} \right) (u_{dci} - u_{dci}^{ref})}_{\text{Second term}}, \\ V_i = \frac{V^*}{n} \end{cases}, \quad (6)$$

where ω_i , V_i , P_i , and ω^* denote the output angular frequency reference, voltage amplitude reference, the average output active power of i -th PV converter unit and the rated grid angular frequency, respectively. u_{dci} and u_{dci}^{ref} represent the real-time DC-link voltage and the DC voltage reference value of the i -th inverter, in which u_{dci}^{ref} should be a constant larger than V_i to avoid over-modulation. m_i is the frequency control coefficient. K_{P_i} and K_{I_i} stand for the proportional and integral coefficients of the DC-link voltage controller of the i -th inverter. V^* is set equal to the rated grid voltage amplitude, $V^* = V_g$. P_i^* is the maximum active power reference of the i -th interfacing inverter, which is generated by the MPPT algorithm embedded in the front-end DC/DC stage.

3.2. Control Mechanism Analysis

From (6), the output voltage amplitude reference of each inverter is the same, so the core idea of proposed control is regulating the angular frequency reference. The control expression (6) mainly contains two terms. The combination of the first term and the second term is designed to achieve MPPT and frequency self-synchronization. The second term is capable of regulating the DC-link voltage of each inverter. For better understanding of the proposed control, the control mechanism is properly illustrated in Figure 3.

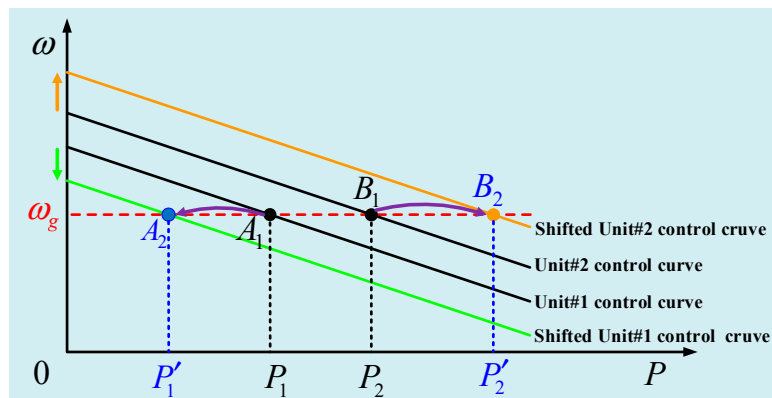


Figure 3. Control mechanism of frequency self-synchronization and maximum power point tracking (MPPT).

In Figure 3, a grid-connected cascaded PV inverter system consisting of only two cascaded PV converter units (unit#1 and unit#2) is presented to simplify the analysis, since a cascaded inverter system with more inverters has no significant technical differences. Firstly, from (4) and (5), the frequencies of all PV converter units must be identical and equal to grid frequency to reach a steady state. In Figure 3, the two PV converter units initially work at the steady-state operating points, A_1 and B_1 , respectively. Their output frequencies are synchronous with the grid frequency, and their output active powers, P_1 and P_2 , track their maximum active power references. The uncertainties of the weather, irradiance level, environmental temperature, and ageing of the PV panels should be taken into consideration. For instance, when the maximum active power available from unit#1 decreases from P_1 to P'_1 , its control curve is shifted down and its steady-state operating point moves from A_1 to A_2 accordingly. In this process, the steady-state operating point of unit#2 is not affected, and it keeps operating at its own maximum power point (MPP). Similarly, when the maximum active power available generated by unit#2 increases from P_2 to P'_2 , the control curve of unit#2 shifts up, and its steady-state operating point moves from B_1 to B_2 . At the same time, the steady-state operating point of unit#1 is not affected, and it keeps operating at its MPP. Thus, all PV converter units in the cascaded system achieve MPPT operation independently and self-synchronize their frequencies with the grid. In other words, $P_i = P_i^*$ and $\omega_i = \omega^* = \omega_g$ are obtained at steady state. Moreover, with the second term in (6), the DC-link voltage of each PV converter unit can be regulated to its reference value at steady-state. A similar analysis process can be extended to other arbitrary operation conditions of unit#1 and unit#2 to properly explain the control mechanism. The completed control block diagram of the i -th cascaded PV inverter is presented in Figure 4.

From the analysis above, the proposed communication-free decentralized control has the following characteristics:

- No communication facilities are involved. All the controllers are fully decentralized. The output frequencies of all cascaded PV inverters self-synchronize with the grid frequency independently, with no need for PLL;

- MPPT operation of all the PV converter units is achieved simultaneously with only local output voltage control;
- A constant front-end DC-link voltage of each inverter is ensured.

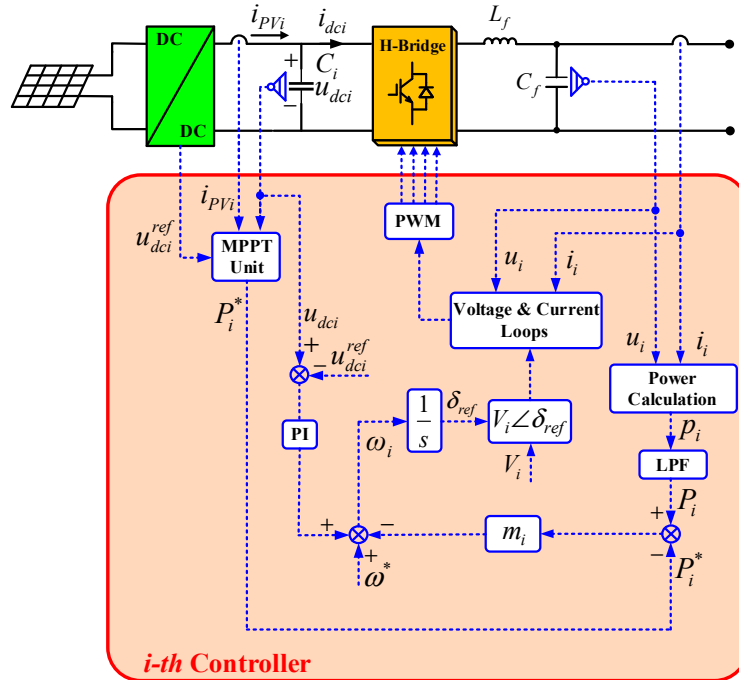


Figure 4. Control block diagram of the *i*-th cascaded PV inverter.

4. Small-Signal Analysis

To study the system stability and dynamic performances of the proposed control strategy, a small-signal analysis was carried out. A small-signal model of the system in Figure 2 was first developed. Then, an eigenvalue analysis was conducted in order to evaluate the system’s stability and to reasonably design the system parameters to give satisfactory dynamic performances.

4.1. Small-Signal Modeling

First, denote the steady-state angular frequency as ω_s . To facilitate the small-signal modeling, we define $\tilde{\delta}_i = \dot{\delta}_i - \dot{\delta}_s = \omega_i - \omega_s$ and $\tilde{\delta}_g = \dot{\delta}_g - \dot{\delta}_s = \omega_g - \omega_s$. In steady state, $\omega_s = \omega_g$, so $\tilde{\delta}_g = 0$ and $\tilde{\delta}_g = 0$ hold. The angle of line impedance θ_{line} is a constant. By inserting (6) into (4), p_i is rewritten as

$$\begin{aligned}
 p_i &= \sum_{j=1}^n \frac{V^{*2}}{n^2 |Z_{line}|} \cos(\delta_{line} + \tilde{\delta}_i - \tilde{\delta}_j) - \frac{V^* V_g}{n |Z_{line}|} \cos(\delta_{line} + \tilde{\delta}_i - \tilde{\delta}_g) \\
 &= F_i(\tilde{\delta}_1, \tilde{\delta}_2, \dots, \tilde{\delta}_n)
 \end{aligned}
 \tag{7}$$

Then, linearize (7) around the steady-state operating point:

$$\Delta p_i = \sum_{j=1}^n K_{p_i \tilde{\delta}_j} \Delta \tilde{\delta}_j,
 \tag{8}$$

where

$$K_{p_i \tilde{\delta}_j} = \frac{\partial p_i}{\partial \tilde{\delta}_j} \quad (j = 1, 2, \dots, n).
 \tag{9}$$

Write (8) and (9) in matrix form:

$$\Delta p = K_{p\tilde{\delta}} \Delta \tilde{\delta}, \tag{10}$$

where

$$K_{p\tilde{\delta}} = \begin{cases} \Delta p = \begin{bmatrix} \Delta p_1 & \Delta p_2 & \cdots & \Delta p_n \end{bmatrix}^T; \Delta \tilde{\delta} = \begin{bmatrix} \Delta \tilde{\delta}_1 & \Delta \tilde{\delta}_2 & \cdots & \Delta \tilde{\delta}_n \end{bmatrix}^T \\ K_{p\tilde{\delta}} = \begin{bmatrix} K_{p_1\tilde{\delta}_1} & K_{p_1\tilde{\delta}_2} & \cdots & K_{p_1\tilde{\delta}_n} \\ K_{p_2\tilde{\delta}_1} & K_{p_2\tilde{\delta}_2} & \cdots & K_{p_2\tilde{\delta}_n} \\ \vdots & \vdots & \ddots & \vdots \\ K_{p_n\tilde{\delta}_1} & K_{p_n\tilde{\delta}_2} & \cdots & K_{p_n\tilde{\delta}_n} \end{bmatrix} \end{cases} .$$

From Figure 2, a mathematical model of the i -th inverter with the proposed control can be written as (11).

$$\begin{cases} C_i \frac{du_{dci}}{dt} = i_{PV_i} - p_i / u_{dci} \\ P_i = \frac{\omega_c}{s + \omega_c} p_i \\ \dot{\omega}_i = -m_i \dot{P}_i + K_{P_i} \dot{u}_{dci} + K_{I_i} (u_{dci} - u_{dci}^{ref}) \\ \dot{\tilde{\delta}}_i = \dot{\delta}_i - \dot{\delta}_s = \omega_i - \omega_s \end{cases} , \tag{11}$$

where u_{dci} and C_i are the DC-link voltage of the i -th inverter and the capacitor in DC side, respectively. i_{PV_i} represents the output PV current, as shown in Figure 2. The average output active power of the i -th inverter, P_i , is obtained by processing the instantaneous active power through a first-order low pass filter (LPF), and ω_c is the cutoff frequency of the LPF. u_{dci} , P_i , ω_i and $\tilde{\delta}_i$ are selected as state variables.

Then, we rewrite mathematical model (11) into (12):

$$\begin{cases} \dot{u}_{dci} = \frac{1}{C_i} (i_{PV_i} - p_i / u_{dci}) \\ \dot{P}_i = \omega_c (-P_i + p_i) \\ \dot{\omega}_i = -m_i \dot{P}_i + K_{P_i} \dot{u}_{dci} + K_{I_i} (u_{dci} - u_{dci}^{ref}) \\ \dot{\tilde{\delta}}_i = \dot{\delta}_i - \dot{\delta}_s = \omega_i - \omega_s \end{cases} . \tag{12}$$

By linearizing (12) around the steady-state operating point, the signal model of the i -th cascaded inverter is derived as

$$\begin{cases} \Delta \dot{u}_{dci} = \frac{1}{C_i} \left(\Delta i_{PV_i} - \frac{1}{U_{dci}} \Delta p_i + \frac{p_{i,0}}{U_{dci}^2} \Delta u_{dci} \right) \\ \Delta \dot{P}_i = \omega_c (-\Delta P_i + \Delta p_i) \\ \Delta \dot{\omega}_i = -m_i \Delta \dot{P}_i + K_{P_i} \Delta \dot{u}_{dci} + K_{I_i} \Delta u_{dci} \\ \Delta \dot{\tilde{\delta}}_i = \Delta \dot{\delta}_i - \Delta \dot{\delta}_s = \Delta \omega_i \end{cases} . \tag{13}$$

By substituting (8) into (13), (13) can be rewritten as

$$\begin{cases} \Delta \dot{u}_{dci} = \frac{p_{i,0}}{C_i U_{dci}^2} \Delta u_{dci} - \sum_{j=1}^n \frac{K_{p_i \tilde{\delta}_j}}{C_i U_{dci}} \Delta \tilde{\delta}_j + \frac{1}{C_i} \Delta i_{PV_i} \\ \Delta \dot{P}_i = -\omega_c \Delta P_i + \sum_{j=1}^n \omega_c K_{p_i \tilde{\delta}_j} \Delta \tilde{\delta}_j \\ \Delta \dot{\omega}_i = \left(\frac{K_{P_i} p_{i,0}}{C_i U_{dci}^2} + K_{I_i} \right) \Delta u_{dci} + \omega_c m_i \Delta P_i - \sum_{j=1}^n \left(\omega_c m_i + \frac{K_{P_i}}{C_i U_{dci}} \right) K_{p_i \tilde{\delta}_j} \Delta \tilde{\delta}_j + \frac{K_{P_i}}{C_i} \Delta i_{PV_i} \\ \Delta \dot{\tilde{\delta}}_i = \Delta \omega_i \end{cases} . \tag{14}$$

According to (14), the complete small-signal model of the cascaded PV inverter system in Figure 2 is obtained as

$$\begin{cases} \Delta \dot{u}_{dc} = T_1 \Delta u_{dc} - T_2 K_{p\tilde{\delta}} \Delta \tilde{\delta} + T_3 \Delta i_{PV} \\ \Delta \dot{P} = -\omega_c \Delta P + \omega_c K_{p\tilde{\delta}} \Delta \tilde{\delta} \\ \Delta \dot{\omega} = (T_P T_1 + T_I) \Delta u_{dc} + \omega_c M \Delta P - (\omega_c M + T_P T_2) K_{p\tilde{\delta}} \Delta \tilde{\delta} + T_P T_3 \Delta i_{PV} \\ \Delta \tilde{\delta} = \Delta \omega \end{cases} \quad (15)$$

where

$$\begin{cases} \Delta u_{dc} = \begin{bmatrix} \Delta u_{dc1} & \Delta u_{dc2} & \cdots & \Delta u_{dcn} \end{bmatrix}^T \\ \Delta P = \begin{bmatrix} \Delta P_1 & \Delta P_2 & \cdots & \Delta P_n \end{bmatrix}^T \\ \Delta \omega = \begin{bmatrix} \Delta \omega_1 & \Delta \omega_2 & \cdots & \Delta \omega_n \end{bmatrix}^T \\ \Delta i_{PV} = \begin{bmatrix} \Delta i_{PV1} & \Delta i_{PV2} & \cdots & \Delta i_{PVn} \end{bmatrix}^T \\ T_1 = \text{diag} \left\{ \frac{p_{1,0}}{C_1 U_{dc1}^2}, \frac{p_{2,0}}{C_2 U_{dc2}^2}, \cdots, \frac{p_{n,0}}{C_n U_{dcn}^2} \right\}_{n \times n} \\ T_2 = \text{diag} \left\{ \frac{1}{C_1 U_{dc1}}, \frac{1}{C_2 U_{dc2}}, \cdots, \frac{1}{C_n U_{dcn}} \right\}_{n \times n} \\ T_3 = \text{diag} \left\{ \frac{1}{C_1}, \frac{1}{C_2}, \cdots, \frac{1}{C_n} \right\}_{n \times n} \\ T_P = \text{diag} \left\{ K_{P1}, K_{P2}, \cdots, K_{Pn} \right\}_{n \times n} \\ T_I = \text{diag} \left\{ K_{I1}, K_{I2}, \cdots, K_{In} \right\}_{n \times n} \\ M = \text{diag} \left\{ m_1, m_2, \cdots, m_n \right\}_{n \times n} \end{cases} ,$$

where U_{dci} and $p_{i,0}$ represent the steady-state values of u_{dci} and p_i , respectively.

So, the matrix form of the complete small-signal model of the system in Figure 2 can be obtained from (16):

$$\Delta \dot{x} = A \Delta x + B \Delta i_{PV}, \quad (16)$$

where

$$\begin{cases} \Delta x = \begin{bmatrix} \Delta u_{dc} & \Delta P & \Delta \omega & \Delta \tilde{\delta} \end{bmatrix}^T \\ A = \begin{bmatrix} T_1 & 0_{n \times n} & 0_{n \times n} & -T_2 K_{p\tilde{\delta}} \\ 0_{n \times n} & -\omega_c I_n & 0_{n \times n} & \omega_c K_{p\tilde{\delta}} \\ T_P T_1 + T_I & \omega_c M & 0_{n \times n} & -(\omega_c M + T_P T_2) K_{p\tilde{\delta}} \\ 0_{n \times n} & 0_{n \times n} & I_n & 0_{n \times n} \end{bmatrix} \\ B = \begin{bmatrix} T_3^T & 0_{n \times n} & T_P^T T_3^T & 0_{n \times n} \end{bmatrix}^T \end{cases} .$$

In matrix A , $0_{n \times n}$ and $I_{n \times n}$ denote an $n \times n$ null matrix and an $n \times n$ identity matrix, respectively.

4.2. Eigenvalue Analysis

To evaluate the system's stability and dynamic performance, an eigenvalue analysis of Jacobian matrix A in (16) was adopted. Based on the simulation model in Section 5 which consisted of 3 cascaded PV converter units, the system eigenvalues were analyzed while varying the control parameters: m_i , K_{Pi} , K_{Ii} and DC-link capacitor C_i . The corresponding system parameters are presented in Table 1.

4.2.1. Frequency Control Coefficient (m_i)

The system eigenvalue traces are shown for the variation of m_i from 0 to 0.06, in Figure 5, in which $K_{P_i} = 0.5, K_{I_i} = 0.05$ and $C_i = 8000 \mu\text{F}$. In the beginning, when m_i is small, there are two eigenvalues, λ_5 and λ_6 , in the right-half plane, which means that the system is unstable. As m_i increases, λ_5 and λ_6 move towards the left-half plane. When m_i is larger than 4.56×10^{-4} , all eigenvalues stay in the left-half plane, which indicates that the system has become stable. With a further increase in m_i , $\lambda_1 \sim \lambda_6$ move away from the imaginary axis. On the other hand, $\lambda_7 \sim \lambda_{12}$ are dominant poles and move closer to the imaginary axis, which determines the system's dynamic performance. When m_i is larger than 4.51×10^{-2} , λ_7 and λ_{10} reach the right-half plane, and the system becomes unstable. So, the stability range for m_i is $(4.56 \times 10^{-4}, 4.51 \times 10^{-2})$. To ensure less oscillatory dynamics, small imaginary parts of the dominant poles, $\lambda_7 \sim \lambda_{12}$, with a large damping ratio are required; therefore, $m_i = 0.005$ is eventually selected.

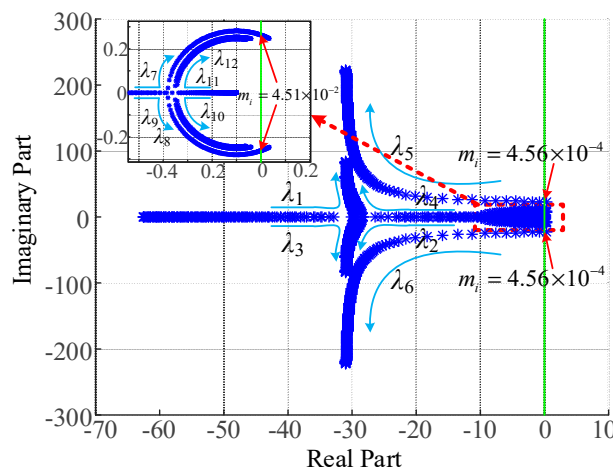


Figure 5. Eigenvalue traces of varying the frequency control coefficient, m_i ($0 \leq m_i \leq 0.06$).

4.2.2. DC-Link Voltage Controller Parameters (K_{P_i} and K_{I_i})

To better design the PI controller parameters, the system eigenvalue traces of varying K_{P_i} and K_{I_i} are sketched in Figures 6 and 7 respectively, in which $C_i = 8000 \mu\text{F}$ and $m_i = 5 \times 10^{-3}$.

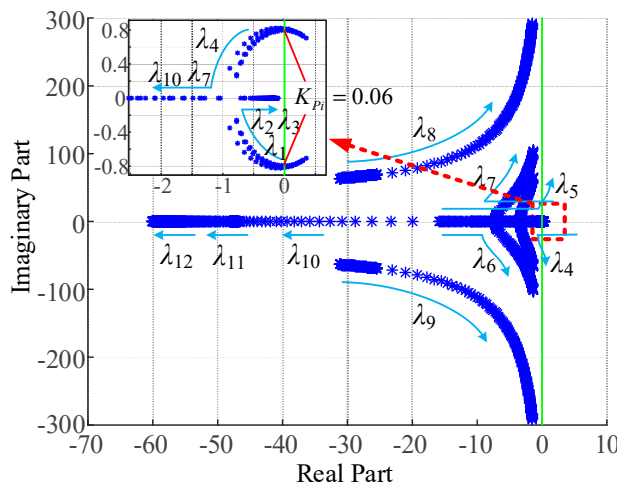


Figure 6. Eigenvalue traces of varying K_{P_i} in $(0 \leq K_{P_i} \leq 50)$.

Figure 6 shows the eigenvalue traces for varying K_{P_i} from 0 to 50. In the beginning, when K_{P_i} is small, $\lambda_1 \sim \lambda_7$ and λ_{10} are the dominant poles, and are much closer to the imaginary axis than $\lambda_8 \sim \lambda_9$ and $\lambda_{11} \sim \lambda_{12}$. At the same time, $\lambda_1 \sim \lambda_4$, λ_7 and λ_{10} are in the right-half plane, which indicates that the system is unstable. When K_{P_i} increases to a value larger than 0.06, $\lambda_1 \sim \lambda_4$, λ_7 and λ_{10} reach the left-half plane, making the system stable. As K_{P_i} increases further, λ_{10} is positioned far away from the imaginary axis, while $\lambda_1 \sim \lambda_9$ approach the imaginary axis but never reach it, which leads to a decreased system damping ratio. So, when $K_{P_i} \in (0.06, 50)$, the system's stability can be maintained.

Figure 7 shows the eigenvalue traces as K_{I_i} varies from 0 to 5. In the beginning, when $K_{I_i} = 0$, $\lambda_5 \sim \lambda_7$ are at the origin while other eigenvalues are all in left-half plane, indicating that the system is critically stable. As K_{I_i} increases, all the eigenvalues stay in the left-half plane and system becomes stable. $\lambda_1 \sim \lambda_8$ are the dominant poles and determine the system's response speed. When K_{I_i} increases to 3.1, λ_1 and λ_2 move to the right-half plane; thus, the system becomes unstable. That is to say, the stability range for K_{I_i} is $(0, 3.1)$.

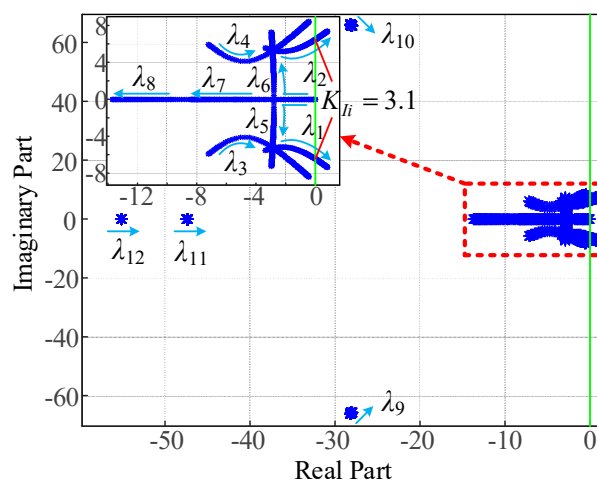


Figure 7. Eigenvalue traces of varying K_{I_i} (the integral coefficient of the DC-link voltage controller of the i -th inverter) in $(0 \leq K_{I_i} \leq 5)$.

To ensure the stability while making a tradeoff between stability and dynamic performance, relatively large, real parts of dominant poles and a large damping ratio are required. Thus, $K_{P_i} = 0.5$ and $K_{I_i} = 0.05$ were chosen.

4.2.3. DC-Side Capacitor (C_i)

The system eigenvalue traces in which the capacitance value (C_i) is changed from 5000 μF to 10 mF are presented in Figure 8, where $K_{P_i} = 0.5$, $K_{I_i} = 0.05$ and $m_i = 5 \times 10^{-3}$.

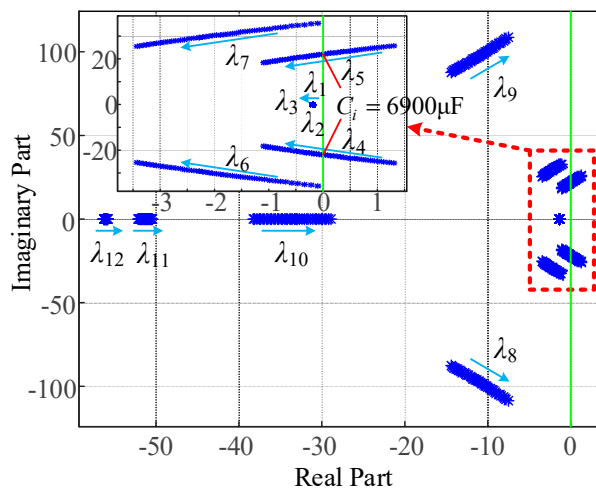


Figure 8. Eigenvalue traces of varying the DC-side capacitor (C_i) in ($5000 \mu\text{F} \leq C_i \leq 10 \text{ mF}$).

As shown in Figure 8, $\lambda_1 \sim \lambda_9$ are the dominant poles, which determine the system’s dynamic response. Initially, when C_i is small, λ_4 and λ_5 lie in the unstable region. As C_i increases, $\lambda_4 \sim \lambda_7$ move towards the left-half plane; meanwhile, the conjugate complex eigenvalues, λ_4 and λ_5 , tend to move towards the imaginary axis. On the other hand, $\lambda_1 \sim \lambda_3$ are almost unchanged—they are very close to the origin and almost not affected by the change in C_i . When C_i is larger than $6900 \mu\text{F}$, λ_4 and λ_5 move to the left-half plane; thus, the system becomes stable. Hence, to ensure the stability of the system in this case, C_i should be larger than $6900 \mu\text{F}$. In order to ensure the stability and high quality of the DC-link voltage, $C_i = 8000 \mu\text{F}$ was used.

5. Simulation Results

This section describes simulation tests carried out in MATLAB/Simulink (2017a). Two simulation cases are presented. The first simulation case was conducted to verify the effectiveness and practicality of the proposed control in the utility grid-connected application. The second simulation case was designed to validate the scalability of the proposed control for the MV/HV grid-connected application.

5.1. Utility Grid-Connected Application

This simulation was based on a utility grid-connected cascaded PV inverter system with three PV converter units. The equivalent circuit of the simulation model is presented in Figure 9. The corresponding system parameters are listed in Table 1. The DC-link voltage reference of each inverter was set to 200 V to avoid over-modulation.

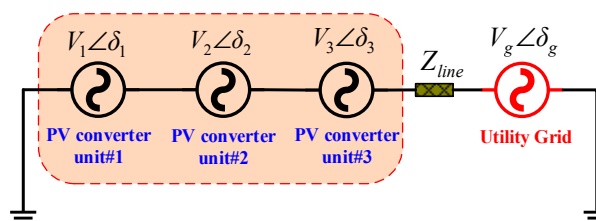


Figure 9. Equivalent circuit of the utility grid-connection simulation model.

Table 1. Simulation parameters.

Item	Symbol	Value
Grid voltage	V_g/f_g	311 V/50 Hz
Voltage amplitude reference	$V_1 = V_2 = V_3$	311/3 V
Droop coefficients	$m_1 = m_2 = m_3$	5×10^{-3}
Proportional coefficients	$K_{P1} = K_{P2} = K_{P3}$	0.5
Integral coefficients	$K_{I1} = K_{I2} = K_{I3}$	0.05
Capacitor in DC-side	$C_1 = C_2 = C_3$	8000 μ F
DC voltage reference	$u_{dc1}^{ref} = u_{dc2}^{ref} = u_{dc3}^{ref}$	200 V
Line impedance	Z_{line}	$0.1 + j0.94 \Omega$
Rated angular frequency	ω^*	100π rad/s

In this simulation test, a random change was imposed on the PV output current of each PV converter unit, so as to emulate the uncertainties of PV output caused by various factors. The PV output current of the cascaded PV converter units is presented in Figure 10a. The output active powers of the cascaded inverters are shown in Figure 10b. Figure 10c,d present the real-time output frequency and DC-link voltage of each cascaded inverter, respectively. The steady-state output voltages of the cascaded inverters and the corresponding line current under different operating conditions are shown in Figure 11.

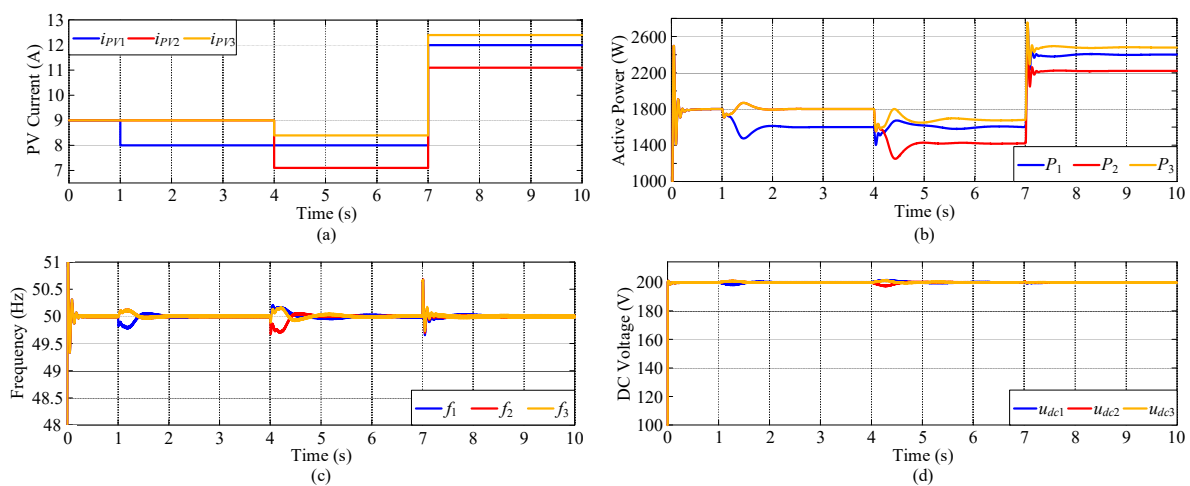


Figure 10. (a) PV output current. (b) Output active power. (c) Output frequency. (d) DC-link voltages of the cascaded inverters.

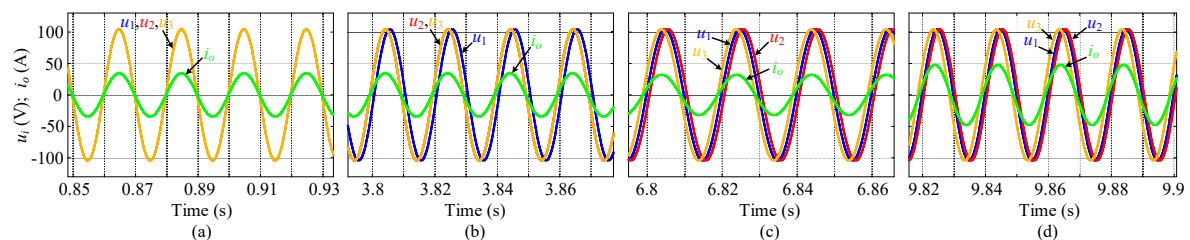


Figure 11. Steady-state line current and output voltages of the cascaded inverters under different operating conditions: (a) $i_{PV1} = i_{PV2} = i_{PV3} = 9$ A. (b) $i_{PV1} = 8$ A; $i_{PV2} = i_{PV3} = 9$ A. (c) $i_{PV1} = 8$ A; $i_{PV2} = 7.1$ A; $i_{PV3} = 8.4$ A. (d) $i_{PV1} = 12$ A; $i_{PV2} = 11.1$ A; $i_{PV3} = 12.4$ A.

As shown in Figure 10a, the PV output current of each PV converter unit changed randomly, which reflects the uncertainties in practical PV application occasions. Before $t = 2$ s, all of the PV

output currents were the same ($i_{PV1} = i_{PV2} = i_{PV3} = 9$ A), as shown in Figure 10a. Thus, the maximum amounts of active power available were identical and the output active powers, P_1, P_2, P_3 , were the same at the steady state. When i_{PV1} suddenly dropped from 9 A to 8 A at $t = 1$ s (shown in Figure 10a), the maximum active power available for PV converter unit#1 decreased accordingly. As a result, P_1 followed with an immediate decrease and eventually reached a new steady state. Furthermore, the steady-state values of P_2 and P_3 were not affected by the change in i_{PV1} because the values of i_{PV2} and i_{PV3} were still 9 A and the maximum active power available had not changed. At $t = 4$ s, i_{PV2} and i_{PV3} decreased to different values ($i_{PV2} = 7.1$ A, $i_{PV3} = 8.4$ A), while i_{PV1} remained unchanged, as shown in Figure 10a. Accordingly, P_2 and P_3 dropped to different values at steady state, tracking their maximum active power available. Additionally, the steady-state values of P_1 were not affected and remained unchanged during this process. At $t = 7$ s, i_{PV1}, i_{PV2} and i_{PV3} suddenly increased to different values simultaneously ($i_{PV1} = 12$ A; $i_{PV2} = 11.1$ A; $i_{PV3} = 12.4$ A), as shown in Figure 10a. At the same time, the output active powers, P_1, P_2 and P_3 , increased proportionally and finally, tracked their maximum active power reference precisely at steady state, as shown in Figure 10b. Therefore, we can see that the MPPT of all the PV converter units was achieved independently throughout the whole process with the proposed communication-free decentralized control. As shown in Figure 10c, frequency spikes occurred in the transient process because the output active power is regulated by controlling the phases of output voltages, which is consistent with the analysis in Section 3. Finally, all output frequencies of the cascaded inverters were able to converge to grid frequency at steady state (shown in Figure 10c), which indicates that the frequency self-synchronization with the utility grid was achieved simultaneously. Furthermore, Figure 10d shows that the DC-link voltages of all the cascaded inverters, $u_{dc1} \sim u_{dc3}$, were regulated to the reference values in steady state independently despite the random change in the PV output currents, i_{PV1}, i_{PV2} and i_{PV3} . So, a constant steady-state DC-link voltage was ensured for each inverter.

Steady-state output voltages and corresponding line current in different steady-state operating conditions are shown Figure 11. As shown in Figure 11a, the output voltage amplitudes and phase angles of all cascaded inverters were identical when $i_{PV1} = i_{PV2} = i_{PV3}$. In Figure 11b, the voltage amplitudes of $u_1 \sim u_3$ were still equal while the voltage phases of $u_2 \sim u_3$ were a bit different from the voltage phase of u_1 as a result of the difference between $P_2 \sim P_3$ and P_1 . As shown in Figure 11c,d, the output voltage amplitudes of all inverters were still equal to their reference values while their phase angles were different during $t = 4 \sim 10$ s, because i_{PV1}, i_{PV2} and i_{PV3} were different. So, a higher output active power is associated with a smaller phase angle difference with the line current. That is to say, the output active power of the cascaded inverters is regulated by controlling the output voltage phase angles, which is in accordance with the analysis in Section 3. Moreover, it is seen from Figure 11 that the line current amplitude was proportional to the total output active power of all inverters. In other words, a higher total active power injected to the grid is associated with a higher amplitude of the line current and vice versa.

5.2. Scalability for MV/HV Grid-Connected Application

To demonstrate the scalability of the proposed control for the MV/HV grid-connected application, a simulation based on a MV grid-connected cascaded PV inverter system with eight PV converter units was conducted. For the HV grid-connection, a larger number of inverters is required due to the AC-stacked characteristics of the cascaded PV inverter system. In addition, a cascaded inverter system with more inverters has no technical differences. The voltage amplitude of the simulated MV grid was 1.2 kV. The output voltage amplitude of each inverter was 150 V. The other system parameters were same as those in Table 1. The equivalent circuit of this simulation model is shown in Figure 12.

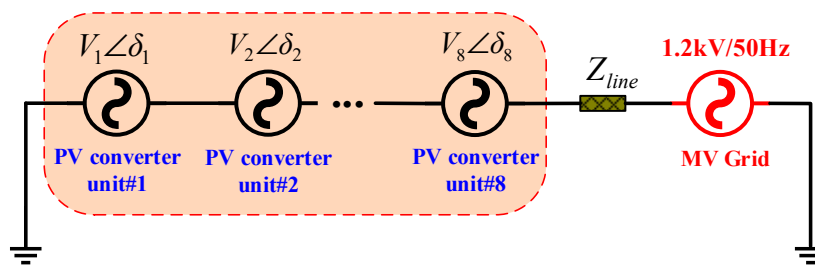


Figure 12. Equivalent circuit of the medium voltage (MV) grid-connection simulation model.

The uncertainties of practical PV outputs were emulated by the use of random PV output current. As shown in Figure 13a, the PV output currents, $i_{PV1} \sim i_{PV3}$, were different, and $i_{PV4} \sim i_{PV8}$ were equal before $t = 4$ s ($i_{PV1} = 6$ A; $i_{PV2} = 6.5$ A; $i_{PV3} = 7$ A; $i_{PV4} = i_{PV5} = \dots = i_{PV8} = 7.4$ A). That is to say, the maximum amounts of active power available for PV converter unit#1 and PV converter unit#3 were different and the maximum amounts of active power available for PV converter unit#4 and PV converter unit#8 were identical. In Figure 13b, the output active powers, $P_1 \sim P_3$, were different and $P_4 \sim P_8$ were equal at steady-state where they were proportional to their PV output current and all PV inverters were operating at their MPPs. When $i_{PV1} \sim i_{PV8}$ suddenly increased simultaneously at $t = 4$ s ($i_{PV1} = 10.1$ A; $i_{PV2} = 10.5$ A; $i_{PV3} = 11.1$ A; $i_{PV4} = i_{PV5} = \dots = i_{PV8} = 11.5$ A) (shown in Figure 13a), the maximum active power available for all PV converter units increased accordingly (shown in Figure 13b). As a result, $P_1 \sim P_8$ increased immediately, proportionally to their PV output currents and they still tracked their own maximum active power at a new steady state. As shown in Figure 13c, frequency spikes in the transient process occurred because that the output active power was regulated by controlling the phases of output voltages, which is consistent with the analysis in Section 3. The output frequencies of all cascaded inverters ($f_1 \sim f_8$) were able to converge to grid frequency in steady state, which indicates that frequency self-synchronization with the utility grid was also achieved simultaneously. In Figure 13d, the DC-link voltages of all the cascaded inverters, $u_{dc1} \sim u_{dc8}$, were regulated independently by the reference values in steady state despite the random change in PV output currents, $i_{PV1} \sim i_{PV8}$. So, a constant steady-state DC-link voltage was ensured for each inverter.

On the other hand, steady-state output voltages and corresponding line current in different steady-state operating conditions are shown Figure 14. As shown in Figure 14a,b the amplitudes of $u_1 \sim u_8$ were identical. However, the phase angles of $u_1 \sim u_3$ were a bit different while the phase angles of $u_4 \sim u_8$ were equal, since a higher output active power means a smaller phase angle difference to the line current. So, we can see that the output active power of the cascaded inverters was regulated by controlling the output voltage phase angles, which is in accordance with the analysis in Section 3. Moreover, it is seen from Figure 14a,b that the steady-state amplitude of the line current after $t = 4$ s was larger than the steady-state amplitude before $t = 4$ s since the line current amplitude is proportional to the total output active power of all inverters.

Moreover, the steady-state voltage at the PCC is shown in Figure 15. As shown in Figure 15a,b, the amplitude of the voltage at the PCC was similar to the grid voltage amplitude. Obviously, the cascaded PV inverter system can stack up the AC output voltages of all inverters to match the MV/HV grid directly with no need for high step-up transformer. So, the scalability of the cascaded PV inverter system and the proposed control in MV/HV grid-connected application were ensured.

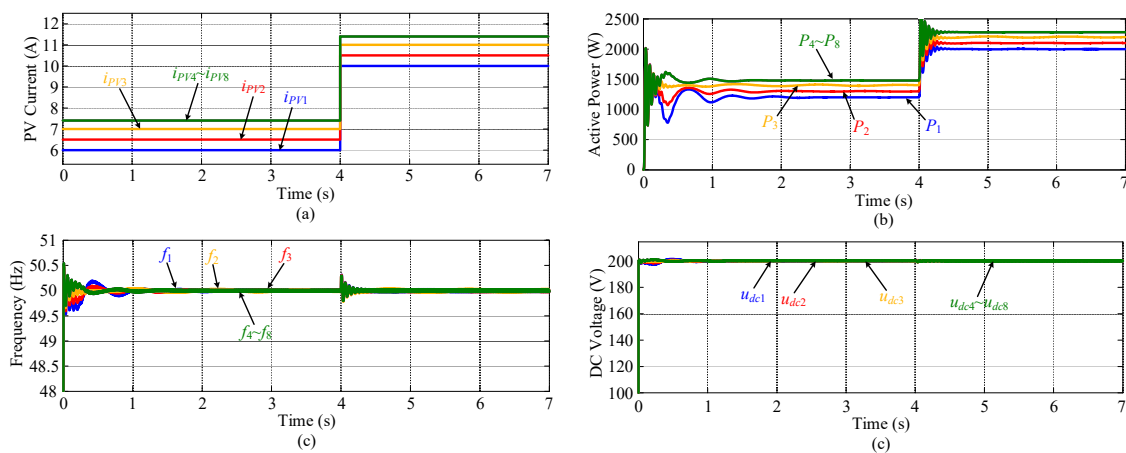


Figure 13. (a) PV output current. (b) Output active power. (c) Output frequency. (d) DC-link voltages of the cascaded inverters.

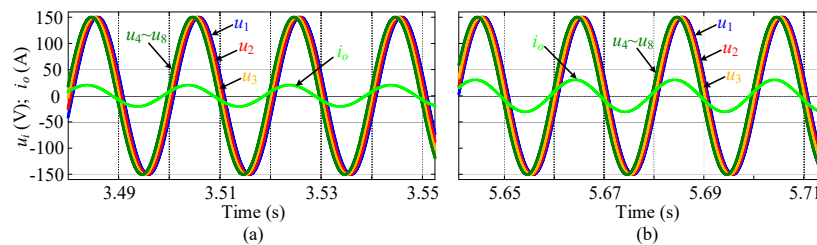


Figure 14. Steady-state line current and output voltages of the cascaded inverters under different operating conditions. (a) $i_{PV1} = 6 \text{ A}$; $i_{PV2} = 6.5 \text{ A}$; $i_{PV3} = 7 \text{ A}$; $i_{PV4} = i_{PV5} = \dots = i_{PV8} = 7.4 \text{ A}$. (b) $i_{PV1} = 10.1 \text{ A}$; $i_{PV2} = 10.5 \text{ A}$; $i_{PV3} = 11.1 \text{ A}$; $i_{PV4} = i_{PV5} = \dots = i_{PV8} = 11.5 \text{ A}$.

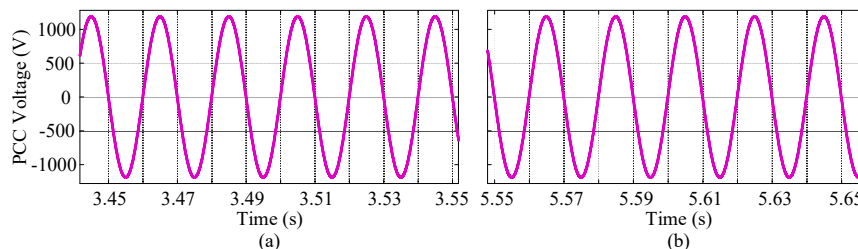


Figure 15. Steady-state voltage at the PCC. (a) $i_{PV1} = 6 \text{ A}$; $i_{PV2} = 6.5 \text{ A}$; $i_{PV3} = 7 \text{ A}$; $i_{PV4} = i_{PV5} = \dots = i_{PV8} = 7.4 \text{ A}$. (b) $i_{PV1} = 10.1 \text{ A}$; $i_{PV2} = 10.5 \text{ A}$; $i_{PV3} = 11.1 \text{ A}$; $i_{PV4} = i_{PV5} = \dots = i_{PV8} = 11.5 \text{ A}$.

6. Conclusions

Communication-free decentralized control of the grid-connected cascaded PV inverters was proposed in this paper. Compared with existing control methods, the proposed decentralized control involves no communication links. MPPT and frequency self-synchronization with the grid of all cascaded PV inverters are achieved locally. Thus, improved reliability, reduced control complexity and communication costs are obtained. The system's stability and dynamic performance were evaluated by small-signal eigenvalue analysis. Finally, simulation results verified the feasibility and effectiveness of the proposed method.

The proposed communication-free decentralized control offers tremendous potential for cascaded PV inverters to be applied in large-scale MV/HV grid-connected PV generation, in which each PV inverter string contains numerous LV PV inverter units. In these applications, the proposed communication-free decentralized control would contribute to greatly improved system reliability

and much reduced communication costs. Furthermore, this study also exhibits the possibility of inspiring potential communication-free solutions for hybrid-connection distributed generation networks, where cascaded inverters and parallel inverters are involved simultaneously.

Author Contributions: C.L. conceived the main idea and wrote the manuscript with guidance from X.H. and M.S. W.Y. and Z.L. performed the simulations; H.H. and J.M.G. reviewed the work and gave helpful improvement suggestions.

Acknowledgments: This work was supported by the National Natural Science Foundation of China under Grant 61573384 and Grant 51677195, and the Fundamental Research Funds for the Central Universities of Central South University under Grant 2018zzts531.

Conflicts of Interest: The authors declare no conflict of interest.

References

1. Sun, Y.; Shi, G.; Li, X.; Yuan, W.; Su, M.; Han, H.; Hou, X. An f - P/Q Droop Control in Cascaded-Type Microgrid. *IEEE Trans. Power Syst.* **2018**, *33*, 1136–1138. [[CrossRef](#)]
2. Han, H.; Li, L.; Wang, L.; Su, M.; Zhao, Y.; Guerrero, J.M. A Novel Decentralized Economic Operation in Islanded AC Microgrids. *Energies* **2017**, *10*, 804. [[CrossRef](#)]
3. Hou, X.; Sun, Y.; Han, H.; Liu, Z.; Yuan, W.; Su, M. A fully decentralized control of grid-connected cascaded inverters. *IEEE Trans. Power Del.* **2018**. [[CrossRef](#)]
4. Meneses, D.; Blaabjerg, F.; García, Ó.; Cobos, J.A. Review and Comparison of Step-Up Transformerless Topologies for Photovoltaic AC-Module Application. *IEEE Trans. Power Electron.* **2013**, *28*, 2649–2663. [[CrossRef](#)]
5. Liu, Z.; Su, M.; Sun, Y.; Han, H.; Hou, X.; Guerrero, J.M. Stability analysis of DC microgrids with constant power load under distributed control methods. *Automatica* **2018**, *90*, 62–72. [[CrossRef](#)]
6. Kouro, S.; Leon, J.I.; Vinnikov, D.; Franquelo, L.G. Grid-Connected Photovoltaic Systems: An Overview of Recent Research and Emerging PV Converter Technology. *IEEE Ind. Electron. Mag.* **2015**, *9*, 47–61. [[CrossRef](#)]
7. Li, Q.; Wolfs, P. A Review of the Single Phase Photovoltaic Module Integrated Converter Topologies with Three Different DC Link Configurations. *IEEE Trans. Power Electron.* **2008**, *23*, 1320–1333.
8. Calais, M.; Myrzik, J.; Spooner, T.; Agelidis, V.G. Inverters for single-phase grid connected photovoltaic systems-an overview. In Proceedings of the 2002 IEEE 33rd Annual IEEE Power Electronics Specialists Conference, Cairns, Australia, 23–27 June 2002; pp. 1995–2000.
9. Kjaer, S.B.; Pedersen, J.K.; Blaabjerg, F. A review of single-phase grid-connected inverters for photovoltaic modules. *IEEE Trans. Ind. Appl.* **2005**, *41*, 1292–1306. [[CrossRef](#)]
10. Walker, G.R.; Sernia, P.C. Cascaded DC-DC converter connection of photovoltaic modules. *IEEE Trans. Power Electron.* **2004**, *19*, 1130–1139. [[CrossRef](#)]
11. Bratcu, A.I.; Munteanu, I.; Bacha, S.; Picault, D.; Raison, B. Cascaded DC-DC Converter Photovoltaic Systems: Power Optimization Issues. *IEEE Trans. Ind. Electron.* **2011**, *58*, 403–411. [[CrossRef](#)]
12. Linares, L.; Erickson, R.W.; MacAlpine, S.; Brandemuehl, M. Improved Energy Capture in Series String Photovoltaics via Smart Distributed Power Electronics. In Proceedings of the 2009 Twenty-Fourth Annual IEEE Applied Power Electronics Conference and Exposition, Washington, DC, USA, 15–19 February 2009; pp. 904–910.
13. Alonso, R.; Roman, E.; Sanz, A.; Santos, V.E.M.; Ibanez, P. Analysis of Inverter-Voltage Influence on Distributed MPPT Architecture Performance. *IEEE Trans. Ind. Electron.* **2012**, *59*, 3900–3907. [[CrossRef](#)]
14. Vitelli, M. On the necessity of joint adoption of both distributed maximum power point tracking and central maximum power point tracking in PV systems. *Prog. Photovolt. Res.* **2014**, *22*, 283–299. [[CrossRef](#)]
15. Shenoy, P.S.; Kim, K.A.; Johnson, B.B.; Krein, P.T. Differential Power Processing for Increased Energy Production and Reliability of Photovoltaic Systems. *IEEE Trans. Power Electron.* **2013**, *28*, 2968–2979. [[CrossRef](#)]
16. Kim, K.A.; Shenoy, P.S.; Krein, P.T. Converter Rating Analysis for Photovoltaic Differential Power Processing Systems. *IEEE Trans. Power Electron.* **2015**, *30*, 1987–1997. [[CrossRef](#)]
17. Wills, R.H.; Krauthamer, S.; Bulawka, A.; Posbic, J.P. The AC photovoltaic module concept. In Proceedings of the Thirty-Second Intersociety Energy Conversion Engineering Conference (IECEC-97), Honolulu, HI, USA, 27 July–1 August 1997; Volume 3, pp. 1562–1563.

18. Sun, Y.; Hou, X.; Yang, J.; Han, H.; Su, M.; Guerrero, J.M. New perspectives on droop control in AC microgrid. *IEEE Trans. Ind. Electron.* **2017**, *64*, 5741–5745. [[CrossRef](#)]
19. Nanakos, A.C.; Tatakis, E.C.; Papanikolaou, N.P. A Weighted-Efficiency-Oriented Design Methodology of Flyback Inverter for AC Photovoltaic Modules. *IEEE Trans. Power Electron.* **2012**, *27*, 3221–3233. [[CrossRef](#)]
20. Villanueva, E.; Correa, P.; Rodriguez, J.; Pacas, M. Control of a Single-Phase Cascaded H-Bridge Multilevel Inverter for Grid-Connected Photovoltaic Systems. *IEEE Trans. Ind. Electron.* **2009**, *56*, 4399–4406. [[CrossRef](#)]
21. Malinowski, M.; Gopakumar, K.; Rodriguez, J.; Perez, M.A. A Survey on Cascaded Multilevel Inverters. *IEEE Trans. Ind. Electron.* **2010**, *57*, 2197–2206. [[CrossRef](#)]
22. Liu, L.; Li, H.; Xue, Y.; Liu, W. Decoupled Active and Reactive Power Control for Large-Scale Grid-Connected Photovoltaic Systems Using Cascaded Modular Multilevel Converters. *IEEE Trans. Power Electron.* **2015**, *30*, 176–187.
23. Liu, L.; Li, H.; Xue, Y.; Liu, W. Reactive Power Compensation and Optimization Strategy for Grid-Interactive Cascaded Photovoltaic Systems. *IEEE Trans. Power Electron.* **2015**, *30*, 188–202. [[CrossRef](#)]
24. Xiao, M.; Xu, Q.; Ouyang, H. An Improved Modulation Strategy Combining Phase Shifted PWM and Phase Disposition PWM for Cascaded H-Bridge Inverters. *Energies* **2017**, *10*, 1327. [[CrossRef](#)]
25. Tafti, H.D.; Maswood, A.I.; Konstantinou, G.; Townsend, C.D.; Acuna, P.; Pou, J. Flexible Control of Photovoltaic Grid-Connected Cascaded H-Bridge Converters During Unbalanced Voltage Sags. *IEEE Trans. Ind. Electron.* **2018**, *65*, 6229–6238. [[CrossRef](#)]
26. Nuotio, M.; Ilic, M.; Liu, Y.; Bonanno, J.; Verlinden, P.J. Innovative AC photovoltaic module system using series connection and universal low-voltage micro inverters. In Proceedings of the 2014 IEEE 40th Photovoltaic Specialist Conference (PVSC), Denver, CO, USA, 8–13 June 2014; pp. 1367–1369.
27. Lu, F.; Choi, B.; Maksimovic, D. Autonomous control of series-connected low voltage photovoltaic microinverters. In Proceedings of the 2015 IEEE 16th Workshop on Control and Modeling for Power Electronics (COMPEL), Vancouver, BC, Canada, 12–15 July 2015; pp. 1–6.
28. Zhang, L.; Sun, K.; Li, Y.W.; Lu, X.; Zhao, J. A Distributed Power Control of Series-connected Module Integrated Inverters for PV Grid-tied Applications. *IEEE Trans. Power Electron.* **2017**. [[CrossRef](#)]
29. Jafarian, H.; Cox, R.; Enslin, J.H.; Bhowmik, S.; Parkhideh, B. Decentralized Active and Reactive Power Control for an AC-Stacked PV Inverter with Single Member Phase Compensation. *IEEE Trans. Ind. Appl.* **2018**, *54*, 345–355. [[CrossRef](#)]
30. Jafarian, H.; Bhowmik, S.; Parkhideh, B. Hybrid Current-/Voltage-Mode Control Scheme for Distributed AC-Stacked PV Inverter with Low-Bandwidth Communication Requirements. *IEEE Trans. Ind. Electron.* **2018**, *65*, 321–330. [[CrossRef](#)]
31. He, J.; Li, Y.; Wang, C.; Pan, Y.; Zhang, C.; Xing, X. Hybrid Microgrid With Parallel- and Series-Connected Microconverters. *IEEE Trans. Power Electron.* **2018**, *33*, 4817–4831. [[CrossRef](#)]
32. Bhowmik, S. Systems and Methods for Solar Photovoltaic Energy Collection and Conversion. U.S. Patent 9531293 B2, 27 December 2016.

