

University of New Orleans

ScholarWorks@UNO

University of New Orleans Theses and
Dissertations

Dissertations and Theses

Fall 12-20-2019

Two Clamped Pipe Support Connections for Oil and Gas Brownfield Projects

Helen M. Claycomb

University of New Orleans, hmattei@uno.edu

Follow this and additional works at: <https://scholarworks.uno.edu/td>

 Part of the [Structural Engineering Commons](#)

Recommended Citation

Claycomb, Helen M., "Two Clamped Pipe Support Connections for Oil and Gas Brownfield Projects" (2019). *University of New Orleans Theses and Dissertations*. 2688.

<https://scholarworks.uno.edu/td/2688>

This Thesis is protected by copyright and/or related rights. It has been brought to you by ScholarWorks@UNO with permission from the rights-holder(s). You are free to use this Thesis in any way that is permitted by the copyright and related rights legislation that applies to your use. For other uses you need to obtain permission from the rights-holder(s) directly, unless additional rights are indicated by a Creative Commons license in the record and/or on the work itself.

This Thesis has been accepted for inclusion in University of New Orleans Theses and Dissertations by an authorized administrator of ScholarWorks@UNO. For more information, please contact scholarworks@uno.edu.

Two Clamped Pipe Support Connections for Oil and Gas Brownfield Projects

A Thesis

Submitted to the Graduate Faculty of the
University of New Orleans
in partial fulfillment of the
requirements for the degree of

Master of Science
in
Engineering
Civil and Environmental

by

Helen Mattei Claycomb P.E.

B.S. University of New Orleans, 2014

December, 2019

Table of Contents

List of Figures iii
List of Tables iv
Abstract v
Chapter 1 Introduction 1
 1.1 Background Information 1
 1.2 Greenfield and Brownfield Projects 2
 1.3 Brownfield Projects - Additional Services 3
 1.4 Typical Connections 6
Chapter 2 Short Bolt and U-bolt Connections 9
 2.1 Introduction 9
 2.2 Materials 18
 2.3 Procurement, Fabrication, and Installation 21
 2.3.1 Procurement and Fabrication 21
 2.3.2 Surface Preparation of Existing Steel 22
 2.3.3 Bolt Installation 22
 2.3.4 Surface Preparation of the Connections 24
 2.3.5 Coating of Connections 25
 2.3 Maintenance 27
 2.4.1 Typical Maintenance Offshore 27
 2.4.2 Corrosion Issues 29
Chapter 3 Analysis Methods of Short Bolt and U-bolt Clamped Connections 33
 3.1 Short Bolt Connection 33
 3.2 U-bolt Connection 35
Chapter 4 Future Study 42
 4.1 Summary and Conclusion 42
 4.2 Future Study 42
References 43
Vita 46

List of Figures

Figure 1: Plan View of Pipe Support Utilizing Short Bolt Connection	9
Figure 2: Plan View of Short Bolt Connection Detail	10
Figure 3: Section View of Detail	10
Figure 4: Navis Works View of Pipe Support Utilizing Short Bolt Connection	11
Figure 5: Trapeze Pipe Support Utilizing Short Bolt Connection	12
Figure 6: Navis Works View of Trapeze Pipe Support with Short Bolt Connection	13
Figure 7: Elevation View of Pipe Support Utilizing U-bolt Connection.....	14
Figure 8: Plan View of Pipe Support Utilizing U-bolt Connection	14
Figure 9: Navis Works View of Pipe Support	15
Figure 10: Elevation View of Pipe Support Utilizing U-bolt Connection.....	16
Figure 11: Navis Works View of Pipe Support	16
Figure 12: Examples of Non-Structural U-bolts.....	18
Figure 13: Plan View of Detail of Short Bolt Connection.....	19
Figure 14: Section View of Short Bolt Connection	19
Figure 15: Plan View of U-bolt Connection Detail	20
Figure 16: Elevation View of U-bolt Connection Detail	21
Figure 17: Process of Crevice Corrosion	30
Figure 18: Example of Corrosion at Pipe Support.....	31
Figure 19: Another Example of Pipe Support Corrosion.....	31
Figure 20: Another Example of Corrosion at a Pipe Support.....	32
Figure 21: U-bolt Free Body Diagram.....	35
Figure 22: Case 2a from Roark's Table 14.1	38
Figure 23: Alternate U-bolt Analysis Free Body Diagram.....	41

List of Tables

Table 1: Typical Coating Systems Used in the Atmospheric Zone	26
Table 2: Guideline Survey Intervals	29
Table 3: Results from Example Calculations.....	39
Table 4: Results from Factored Example Calculations.....	40

Abstract

In the oil and gas industry, brownfield projects focus on the modification of or addition to an existing production facility that is fully operational and operating. Welding is typically avoided on these projects. The drilling of holes in existing primary structural elements is also prohibited. Clamped connections are often used when adding additional services in a brownfield project. There are different types of clamped connections utilized when a new structural support must be attached to an existing vertical structural pipe. The short bolt clamped connection is a well-established connection and typically used on offshore projects. The U-bolt clamped connection is an alternative connection, although its use in the offshore oil and gas industry is not as well documented. The main drawback to using the U-bolt clamp connection is the lack of a well researched and vetted design methodology. A preliminary analysis methodology is proposed in this thesis. The material, fabrication, installation, and maintenance of both the short bolt connection and U-bolt connection will also be discussed. The following thesis will end with recommendations for moving forward.

Keywords: Clamped Pipe Supports, U-bolts

Chapter 1

Introduction

1.1 Background Information

Offshore oil fields are now located all over the world, with the most notable being found in the North Sea, the Gulf of Mexico, the Campos and Santos Basins off the coasts of Brazil, Newfoundland and Nova Scotia, several fields off the West African coast, South East Asia, and Sakhalin, Russia. Drilling for oil in offshore oil fields first began in the Gulf of Mexico in 1947, when the first offshore platform was installed in the Gulf. Since then, approximately 7,154 offshore platforms have been installed. Many of the fields that have been developed over the past 20-30 years in the Gulf are now maturing with many of the oldest facilities having been taken out of service or operating under a reduced production rate, as the original field has played out. Oil companies have tapped into satellite fields to mitigate production decline (Fort and Taxy), since older facilities may have available capacity since their original production is no longer as significant.

The Bureau of Safety and Environmental Enforcement (BSEE) is an agency in the Department of Interior that enforces safety and environmental regulations for offshore energy development. BSEE is involved in the approval of oil and gas plans, facilities, and operations. In addition to monitoring compliance with regulations throughout the permitting process, the agency also inspects the operation of offshore facilities to ensure compliance with regulations, lease terms and statutes.

BSEE has a Gulf of Mexico Platform Structures Online Query, which is a database that tracks all of the platforms that have been installed since 1947. This tool lists platform location, structure name, business associate, installation date, removal date, water depth, and other

important information. According to BSEE's online query, as of September 28, 2019, there were approximately 1899 existing platforms in the Gulf of Mexico, many of which are producing below their original capability.

In order to maximize all available capacity in a field, new drilling facilities utilize close-by existing production facilities. When petroleum geologists locate an oil deposit in offshore oil fields, an exploratory drill rig will drill a few temporary exploratory wells. Once the geologists determine that the well is profitable, the oil company that owns the wells will drill a production well. When drilling strikes the petroleum reservoir, the production casing caps off the well from the surrounding reservoir. Explosives are then sent down the well to perforate the production casing at different depths to allow the oil into the well. Pumps or water, oil or gas injections are utilized to increase the reservoir pressure and bring the oil mixture to the surface of the drilling platform, which is typically a mixture of crude oil, natural gas, water, and sediments. This mixture is then processed on the drilling platform, if the platform has such capacity. If the drilling platform does not have the capability, the mixture is transported via pipeline to the nearest production facility that can handle the additional load (Lamb).

1.2 Greenfield and Brownfield Projects

Two types of projects exist in the oil and gas industry in the Gulf of Mexico: greenfield and brownfield projects. Greenfield projects focus on new production facilities, whereas brownfield projects focus on the modification of or addition to an existing production facility. Brownfield projects are more common, especially in the Gulf of Mexico, due to the density of existing drilling and production facilities. This is due to the high cost of building a brand-new facility. The cost to build a new platform is incredibly expensive; therefore, instead of building a new greenfield development, brownfield projects can be implemented.

A process that is increasingly being implemented in the Gulf of Mexico, due to its economic advantages, is subsea tiebacks. Subsea tiebacks are one way of connecting a new well to an existing facility. A subsea tieback is a process that connects new oil field discoveries to near-by existing production facilities. This technology is an economical solution that maximizes the life of existing production infrastructures. Due to much of the existing infrastructure already being in place, projects can be fast tracked and brought into production quickly (Tieback Time). Although new wells using subsea tiebacks do not require construction of new facilities, some modifications and additions to the existing platform are necessary.

1.3 Brownfield Projects – Additional Services

It may be necessary to add additional piping, pipe supports, and process equipment on existing platforms to accommodate the new production from the subsea tieback. During the design process, the piping designer, piping engineer, and structural engineer work together to ensure the design is feasible, safe, and minimizes clashes with existing equipment and piping on an already congested facility. Typical offshore production piping ranges from ASME Class 150-ASME Class 2500 (285-6170 psig). However, some production piping can have process fluid flowing through them at much higher pressure and temperatures – anywhere from 100-500 degrees Fahrenheit. These pipes can carry oil, gas, water or other fluids. A pipe failure can release toxic, flammable fluids, or hazardous chemicals into the environment. If piping fails, the platform could have to have an extended shut-in, which is a large financial risk to the operators. Most importantly, offshore personnel can be injured or killed. In order to prevent these pipe failures from happening, proper design of pipe supports is critical.

The following overall design process is to be followed. When new piping is installed during a brownfield project, such as a subsea tieback project, the piping designer routes the

piping in the most efficient and effective way and creates a set of piping isometric drawings. The piping designers locate the existing structural steel near and/or along the piping where a new pipe support can be installed. On most projects the piping designer will go offshore to “walkdown” the isometric drawings. While offshore the designer will verify that there are no clashes between the new components and the existing structure and assess the existing condition of the structural steel. This is a critical step in the design process of integrating new components into an existing platform.

Once the piping route is determined, the piping engineer must determine if the pipe itself is adequate. This is achieved using pipe stress analysis software. The client has a set of predetermined criteria that determines whether piping needs to be analyzed with pipe stress analysis software. The piping engineer goes through the piping isometric drawings and determines which piping fits the client’s criteria. The piping engineer then models the lines in the pipe stress analysis software. The pipe is modeled, and a node is added wherever the pipe is supported. The modeled piping is restrained at the anchor points, which is the location where the piping connects into equipment. At that point, the piping is assumed to be rigid and restrained, meaning that movement and rotation are prevented in all directions. The next step is to analyze the piping for different load cases. The piping engineer must determine which load cases will be applicable. The load cases include temperature, pressure, dead weight, module movement, environmental conditions, steam hammer, surge, thrust, water hammer, and flow induced vibrations. The piping engineers take all of these forces/loads into consideration when they do pipe stress calculations. The pipe stress software is a tool used by the piping engineer to determine if the proposed piping is adequate for the applied loading; results of the analysis provide reaction forces at each support location. These reaction forces are given to the structural

engineer to be entered into the structural analysis program.

If the piping does not meet the client's criteria to be analyzed with a pipe stress analysis software, the structural engineer must use a structural analysis software or perform calculations manually to determine the reaction forces at each support of the proposed piping to be added. The structural engineer must calculate the dead weight and the design fluid weight based on the piping isometrics and then input the loads into the structural analysis software. The structural analysis program is used to ascertain the impact on the existing structural framing from supporting the proposed new supports and piping using the applicable environmental loads.

Once the piping engineer has determined that the piping size and material is adequate, the structural engineer can design the new pipe supports. On brownfield projects the structural engineer should try to match the new steel shapes to the existing platform design. For example, if the platform was originally designed with round pipe, the new supports should be made with round pipe. When the engineer models the pipe supports, special care is needed in determining what to model. It is inefficient to model the entire platform when designing new pipe supports. However, if the new piping is being supported off an existing pipe rack, the new loads will affect the existing steel. The engineer must decide to either model the existing steel and the new pipe support or to model the new pipe support and then do local checks to determine if the existing steel is structurally adequate. Once the engineer is satisfied with the support design, the connection must be analyzed and designed.

1.4 Typical Connections

Pipe supports are either welded, bolted or clamped to existing structural members. Welding is traditionally the preferred method of attaching supports to primary or secondary framing members and is almost exclusively used on greenfield projects. Bolted and clamped

connections are rarely used on greenfield projects; new drilling and production facilities' connections are almost 100% welded. However, on brownfield projects, welding is often avoided due to hot work.

Brownfield projects are usually put into place on a facility that is fully operational and operating. According to API RP 2201, hot work is defined as an operation that can produce enough heat from a flame, spark, or other source of ignition, with sufficient energy to ignite flammable vapors, gases, or dust and cause an explosion. Hot work operations include electric arc and gas welding, chipping, flaming, grinding, gas cutting, abrasive blasting, brazing, and soldering. Special procedures and permits are required when hot work is to be performed in certain areas (4.) Because of the possible dangers associated with welding, specific requirements, operations, and procedures have been set in place by BSEE. Per the Code of Federal Regulations, welding may not take place within 10 feet of a wellbay, unless all producing wells in the wellbay are shut-in. Welding may also not take place within 10 feet of a production area, unless the area is shut in (30 CFR§250.113).

Welding on a working production facility is generally avoided to minimize shut-in time. During a shut-in, all production on the platform is temporarily stopped. Shut-ins are necessary for major modifications on a platform. However, shut-ins cost the client money. For example, if a platform produces 100,000 barrels of oil per day and each barrel sells for \$50, during a shut-in, the company would lose \$5 million a day.

Another disadvantage of welding on a working production facility is having to build a Pressurized Welding Enclosure (PWE). A PWE is a fully enclosed area that is constructed to create a safe welding environment. A PWE allows for hot work to be conducted in a small isolated area while minimizing operational impacts on the rest of the platform. A PWE consists

of soft-sided panels, flooring, aluminum framed doors, atmospheric monitoring, programmable logic control, positive pressure monitoring, and a ventilation system. To erect a PWE, floor panels are set in place, and then the soft-sided flame-retardant wall panels are connected by thick Velcro to conform to the geometry of the work area. All penetrations are then sealed to maintain a positive pressure. To complete the system, atmospheric monitoring and positive pressure monitoring are installed. A programmable logic controller system is used to control all aspects of the hot work process. The positive pressure monitoring system measures the differential pressure within the enclosure to maintain a positive pressure, so that the outside gases cannot enter the PWE. Blowers supply clean fresh air into the PWE. PWEs are extremely helpful when a platform shut-in is not possible. However, due to the high cost, the client will have a hard time justifying the use of a PWE to weld out pipe supports. In addition, there is high risk to offshore workers doing hot work.

The following cost is from SafeZone Safety Systems, LLC. The total cost includes mobilization offshore to the platform, installation, single day of supporting hot work in the PWE, and removal and demobilization from the facility.

- Mobilization offshore to facility = \$6,305
- Installation, which is based off of a four man crew working 12 hour shift to install a 12'x12'x12' PWE = \$6305
- Daily cost to support hot work = \$6305
- PWE removal and demobilization from facility = \$6305
- Consumables (Carbon Fiber FR Felt/FR Velcro, Cleaner, Rope, etc.) = \$2450
- Total = \$27,670

On projects where welding is not feasible or deemed too expensive, mechanical

connections must be developed. The classification and shape of the existing structural steel element that the support is being attached to determines if the connection will be bolted or clamped. In situations where the existing framing consists of primary steel, clamped connections are preferred. Drilling holes in primary structural steel members decreases the load carrying capacity of the existing member. Because reduction of capacity of existing primary structural framing is not desired, bolted connections, which require additional holes, are not allowed. When supporting off of secondary or tertiary steel, bolting through the beam flanges is accepted as the norm. Wide flanges can be clamped around or bolted through. However, existing circular tube steel must utilize clamped connections, regardless as to whether the existing tube is part of the primary or secondary framing system.

When clamping around circular tube steel, two types of clamps can be used – short bolt and U-bolt. These two clamps will be discussed in the following chapters.

Chapter 2

Short Bolt and U-bolt Clamped Connections

2.1 Introduction

This thesis will describe and compare the short bolt clamp connection and the U-bolt clamp connection. Figures 1 and 5 illustrate two different pipe support designs that utilize the short bolt clamp connection. The first figure is a 2-D plan view of a pipe support featuring the short bolt connection with the new piping supported by a cantilever support. Figures 2 and 3 show the connection details. The support is clamped around two existing vertical, circular columns. Figure 4 is a 3-D rendering of this pipe support. The second pipe support design is a trapeze style support. This design is the one usually used. Figure 5 depicts a 2-D elevation view of the trapeze hanger pipe support. The new pipe support is clamped around and hanging from an existing horizontal structural pipe. See Figure 6 for a 3-D rendering. Both of these designs utilize the short bolt clamp connection when connecting to existing circular pipe structural members.

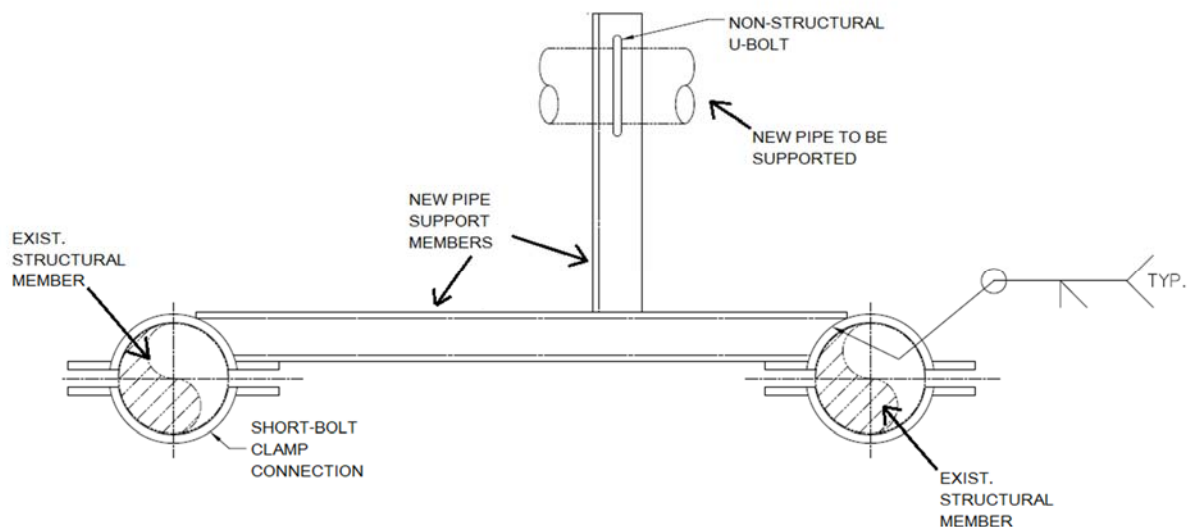


Figure 1: Plan View of Pipe Support Utilizing Short Bolt Connection (Claycomb)

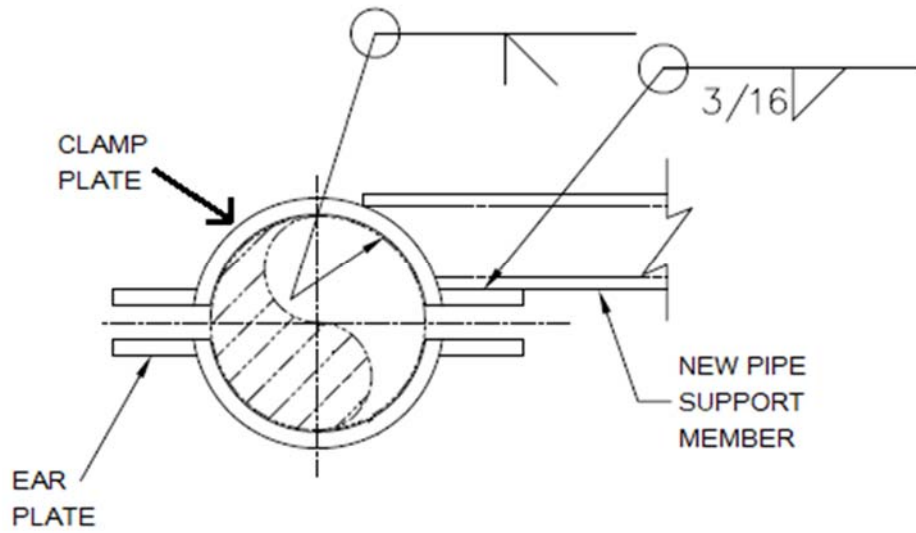


Figure 2: Plan View of Short Bolt Connection Detail (Note: New bolts and bolt holes not shown) (Claycomb)

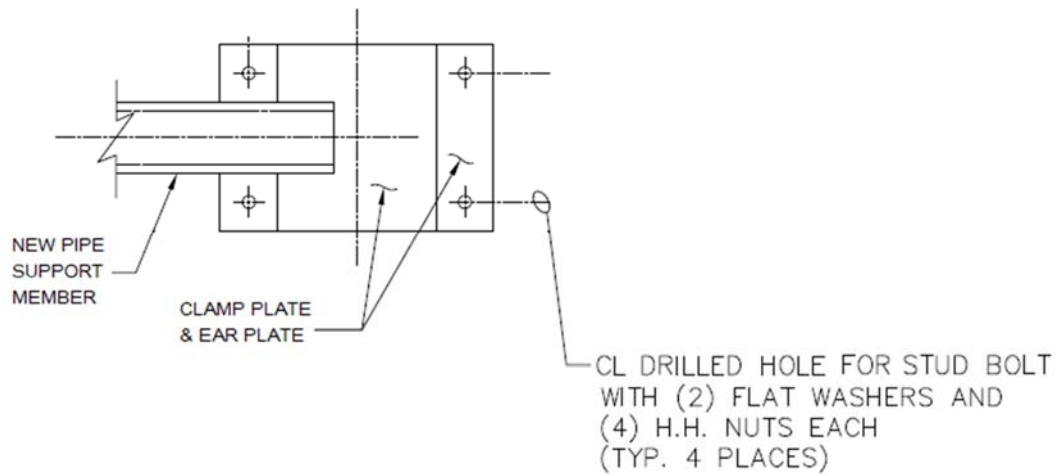


Figure 3: Section View of Detail (Claycomb)

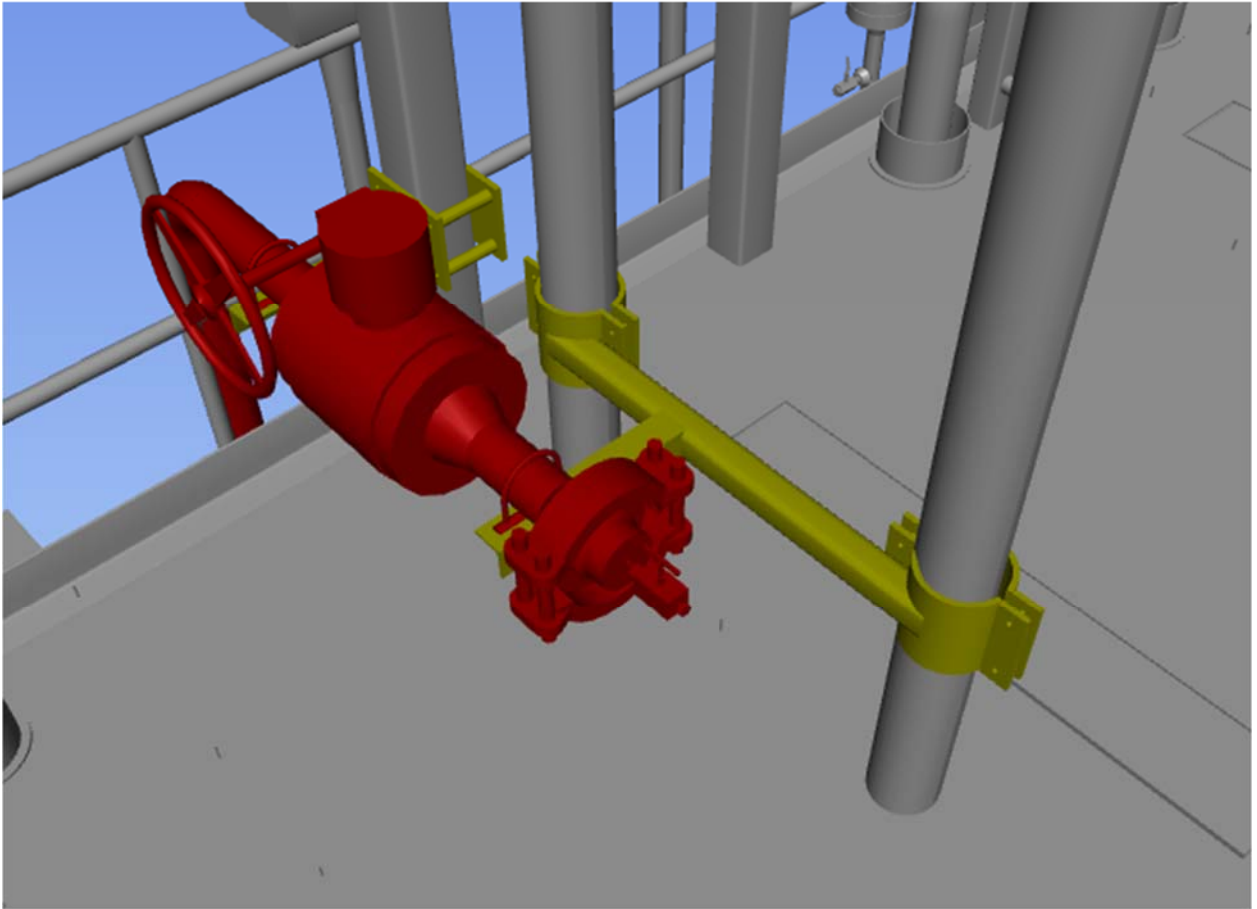


Figure 4: Navis Works View of Pipe Support Utilizing Short Bolt Connection (Claycomb)

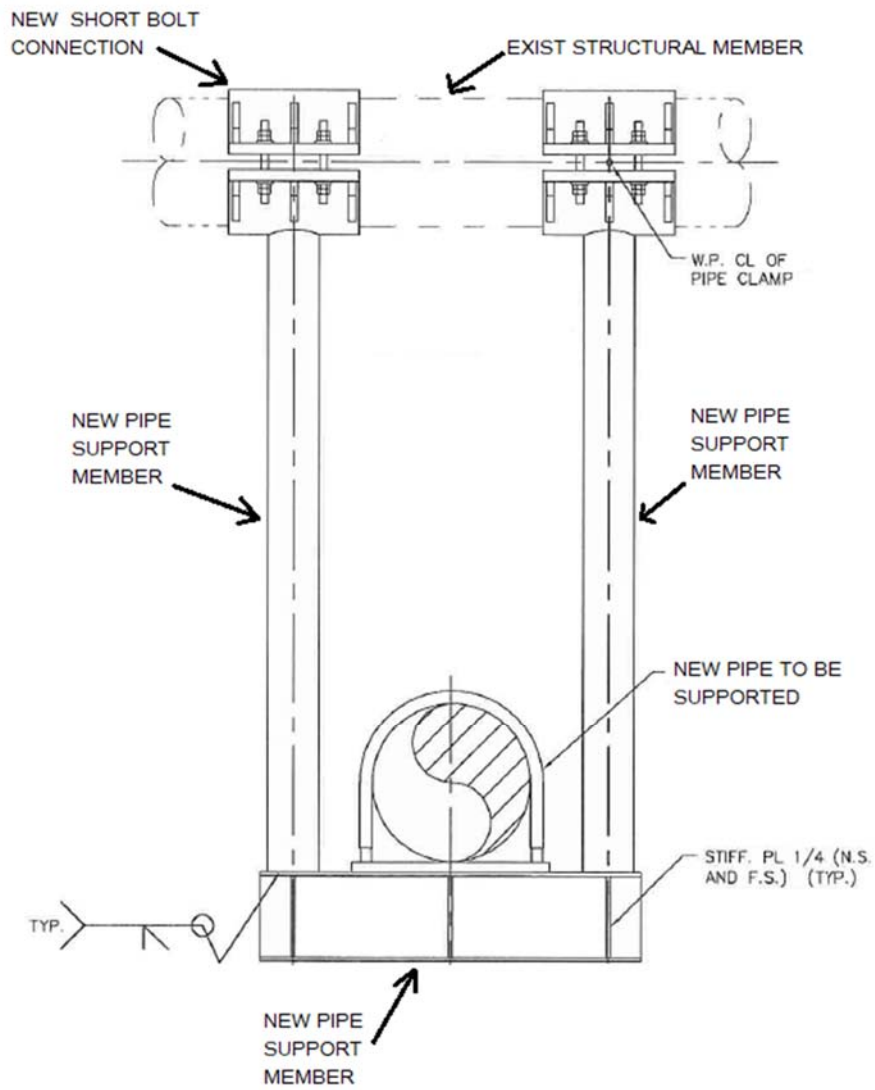


Figure 5: Trapeze Pipe Support Utilizing Short Bolt Connection (Claycomb)

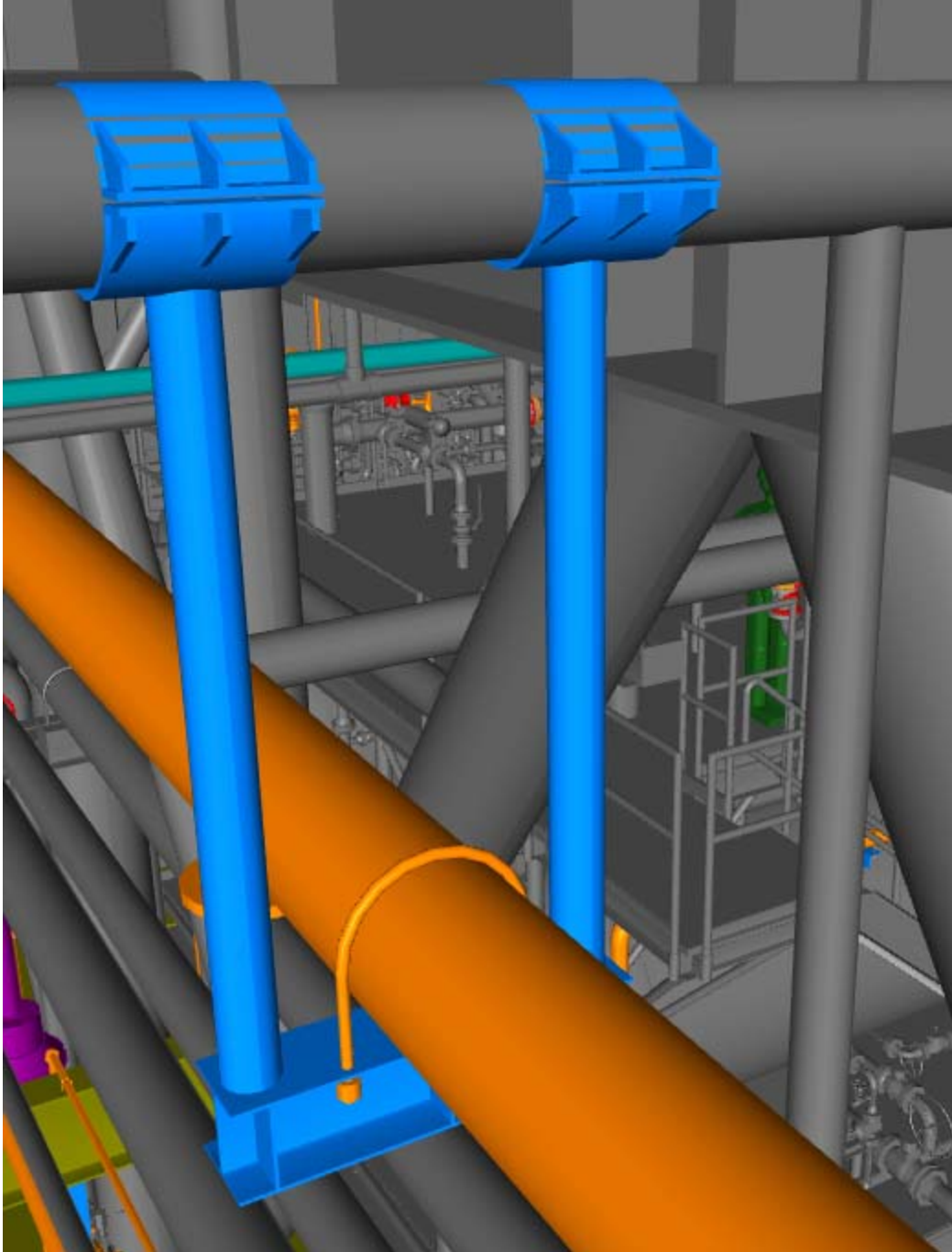


Figure 6: Navis Works View of Trapeze Pipe Support with Short Bolt Connection (Claycomb)

Figures 7 and 10 illustrate two different pipe support designs that utilize the U-bolt clamp connection. Figure 7 shows a 2-D elevation view of a trapeze pipe support that is clamped around two existing vertical structural members. Figure 8 shows a 2-D elevation view. A 3-D view is illustrated in Figure 9. Figure 10 depicts a similar cantilever pipe support.

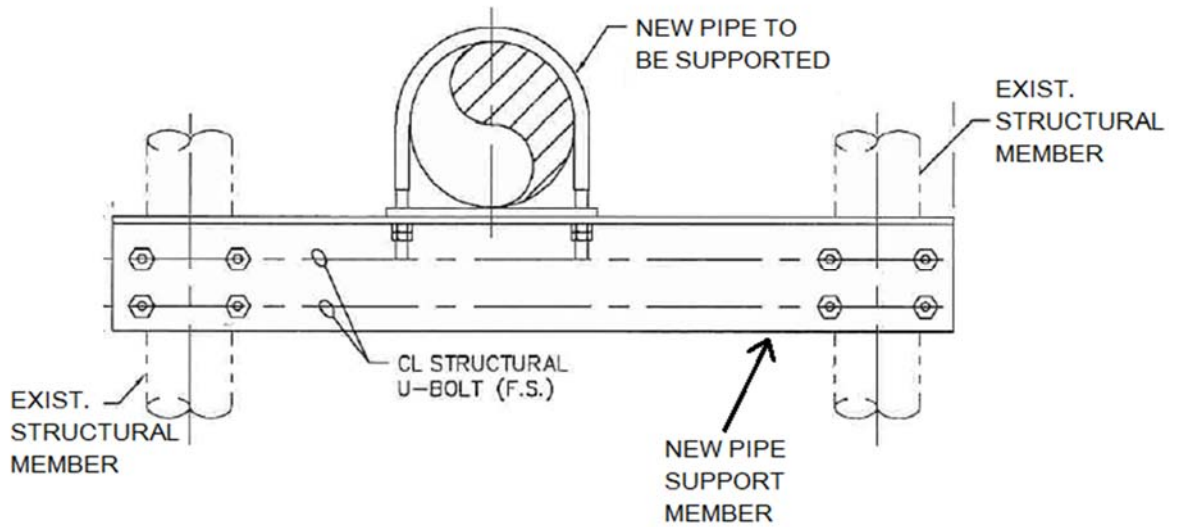


Figure 7: Elevation View of Pipe Support Utilizing U-bolt Connection (Claycomb)

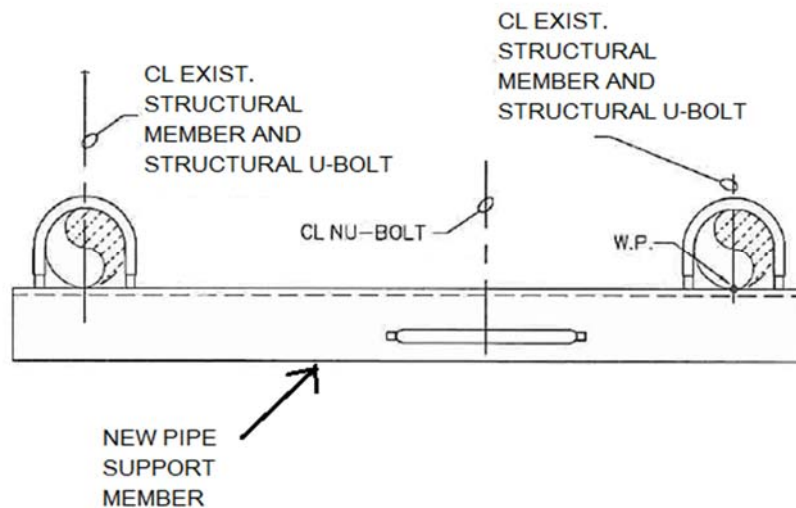


Figure 8: Plan View of Pipe Support Utilizing U-bolt Connection (Claycomb)



Figure 9: Navis Works View of Pipe Support (Claycomb)

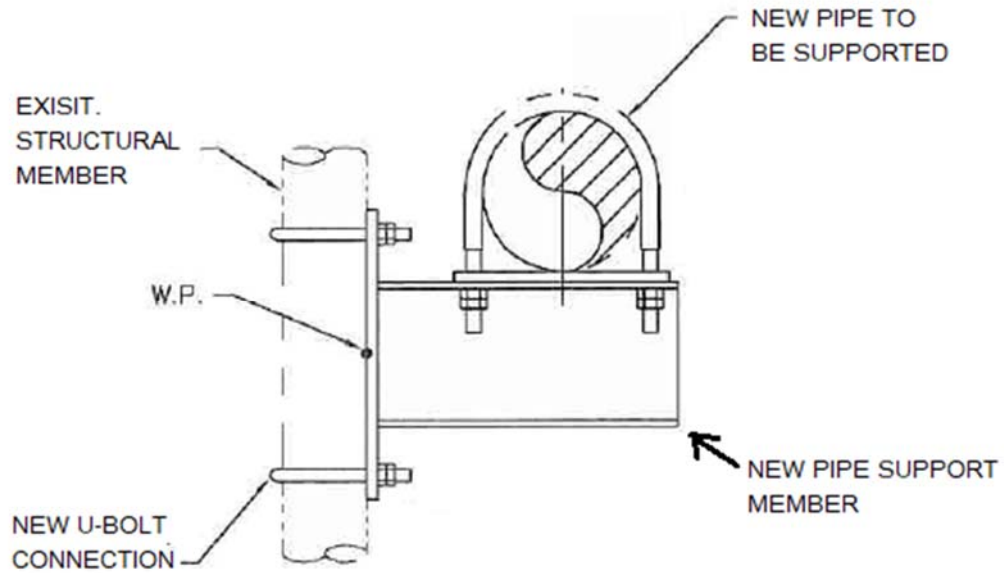


Figure 10: Elevation View of Pipe Support Utilizing U-bolt Connection (Claycomb)

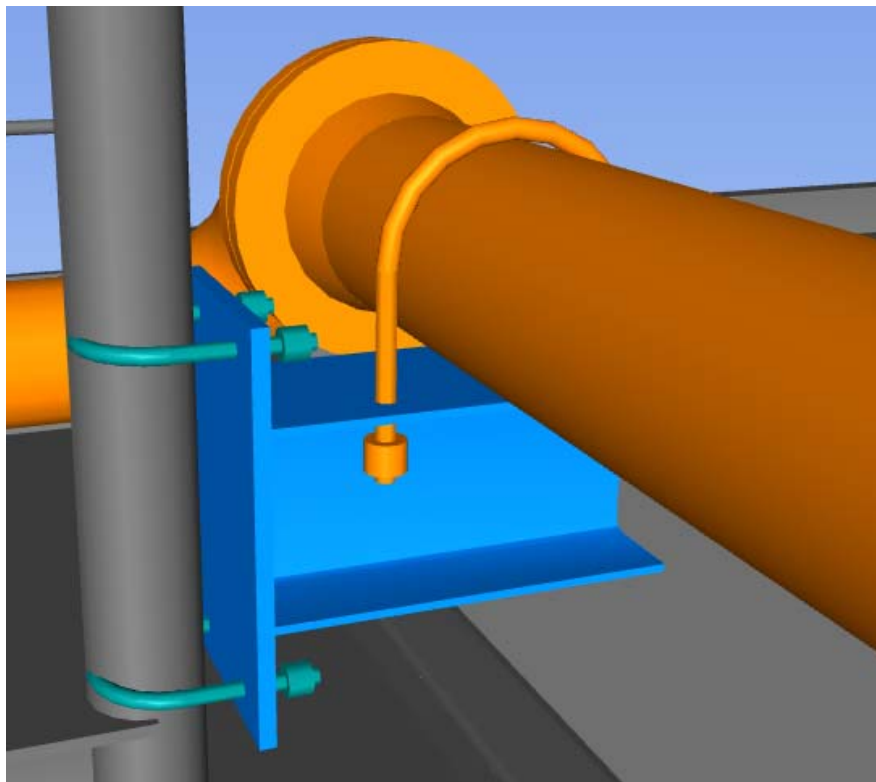


Figure 11: Navis Works View of Pipe Support (Claycomb)

The short bolt clamp is the current method used in the offshore oil and gas industry to clamp around an existing vertical circular structural element. This connection stems from the

long and mid-bolt connection, which are used to support risers along the leg of a fixed platform. This type of connection is well documented and widely accepted in the industry. There are standard design procedures and methodology to assist engineers in the design of these connections. The methodology behind the riser connection can easily be applied to the pipe support connection.

The U-bolt connection is typically used in the telecommunication industry and in the nuclear power industry. In the offshore oil and gas industry, non-structural U-bolts are generally used to secure new piping to an existing or new pipe rack or support (see Figure 12). These U-bolts are not typically used as a structural connection to connect pipe supports to members of the structural framing. There is no vetted analysis and design methodology for the U-bolt connections.

Analysis and design methodologies for both types of clamped connections will be covered in Chapter 3 of this thesis. As already mentioned, the short bolt clamped connection procedure is well vetted. A preliminary analysis methodology for the U-bolt clamp connection design will be proposed.

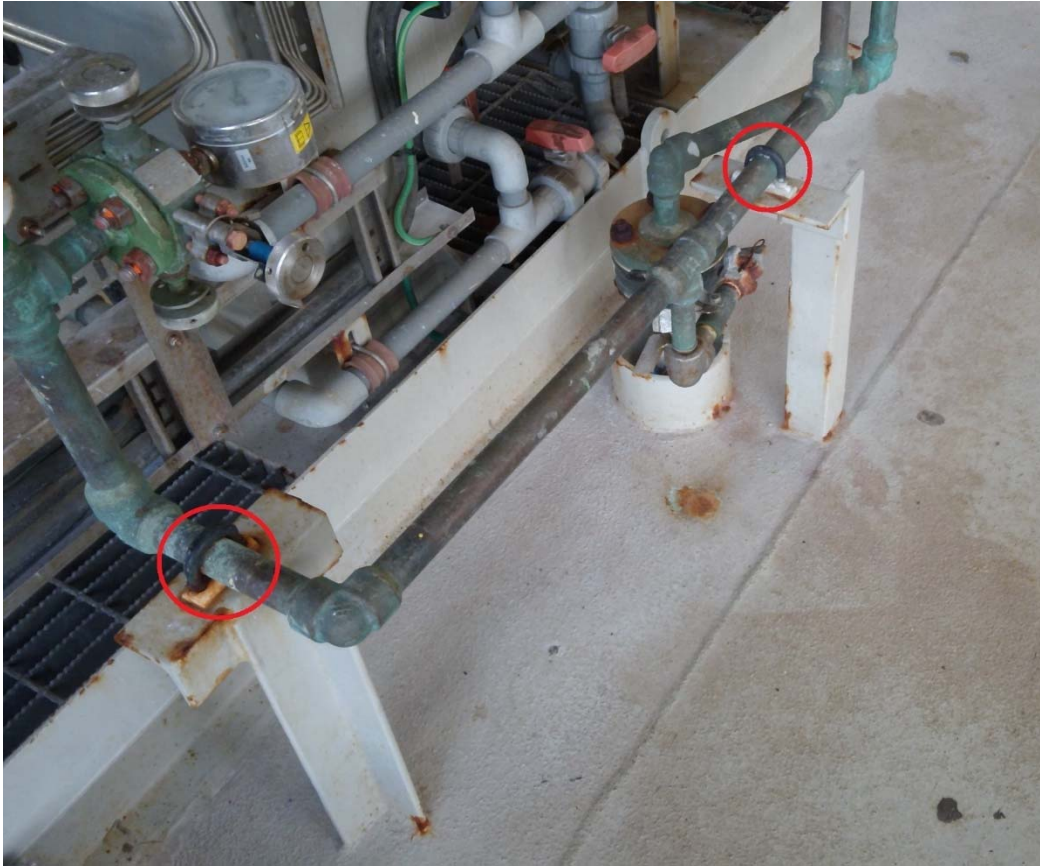


Figure 12: Examples of Non-Structural U-bolts (Tillman)

2.2 Materials

The short bolt clamp connection consists of a circular clamp plate, ear plates, stiffener plates, and pretensioned stud bolts. The short bolt connection relies on radial pressure and friction to hold it up. The short bolt clamp typically consists of the following materials:

- Circular clamp plate, ear plates, and stiffener plates – ASTM A36 ($F_y = 36\text{ksi}$) steel
- Stud Bolts – ASTM A193, Grade B7, Fully-threaded
- Nuts – ASTM A194, Grade 2H, Heavy Hex Head
- Washers – ASTM F436, Flat Washers

Each stud bolt is paired with two nuts, with one flat washer between each inside nut and the contacting surface. Refer to Figures 13 and 14.

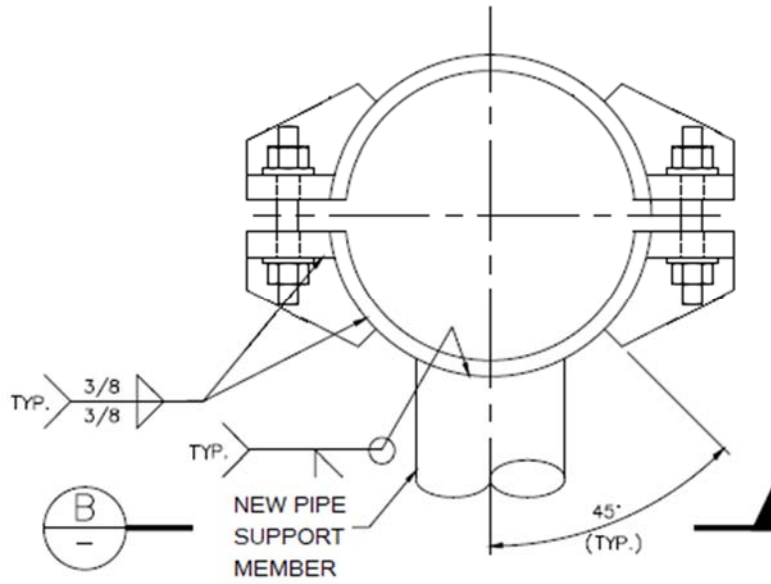


Figure 13: Plan View of Detail of Short Bolt Connection (Claycomb)

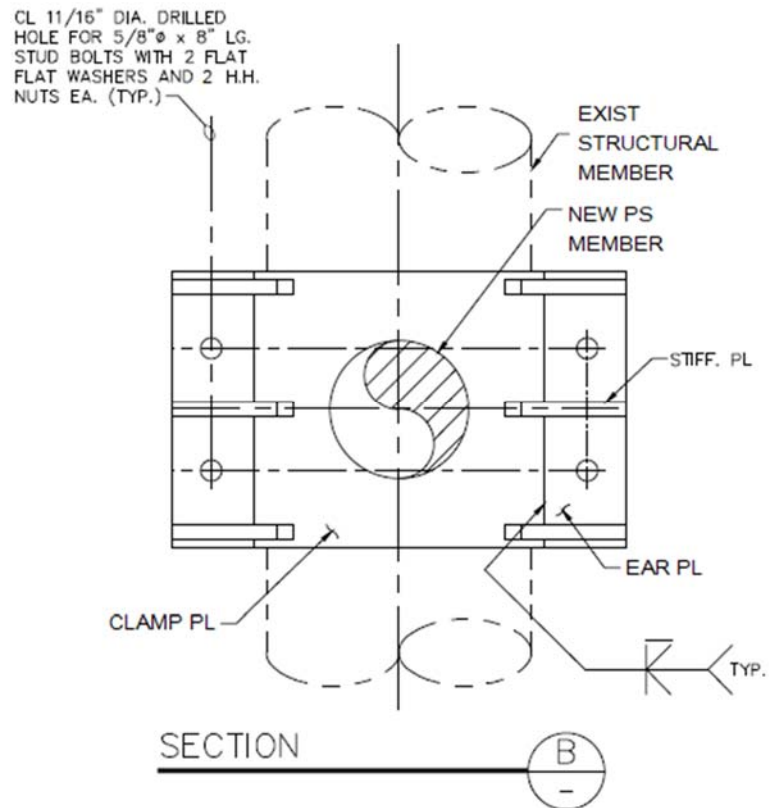


Figure 14: Section View of Short Bolt Connection (Claycomb)

The proposed U-bolt clamp connection consists of a pair of structural U-bolts and a steel plate. The pipe support member (wide flange or angle) is shop-welded to the steel plate. In the field the plate is attached to the existing circular tube steel with U-bolts. The main role of the U-bolts is to provide a clamping force to hold the components together. Structural U-bolts are shaped like the letter “U”. Both ends of the bolt feature screw threads, which are used to adequately secure the pipe. The proposed clamp will typically consist of the following materials:

- Plate – ASTM A36 ($F_y = 36\text{ksi}$)
- Structural U-bolts – ASTM A36 or ASTM A307
- Nuts – ASTM A563, Heavy Hex Head
- Washers – ASTM F436, Flat Washers

Refer to Figures 15 and 16.

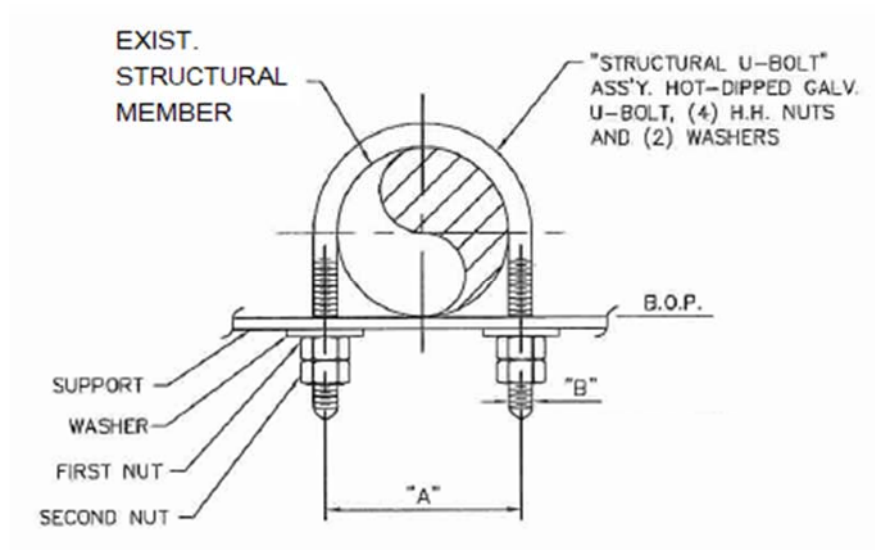


Figure 15: Plan View of U-bolt Connection Detail (Claycomb)

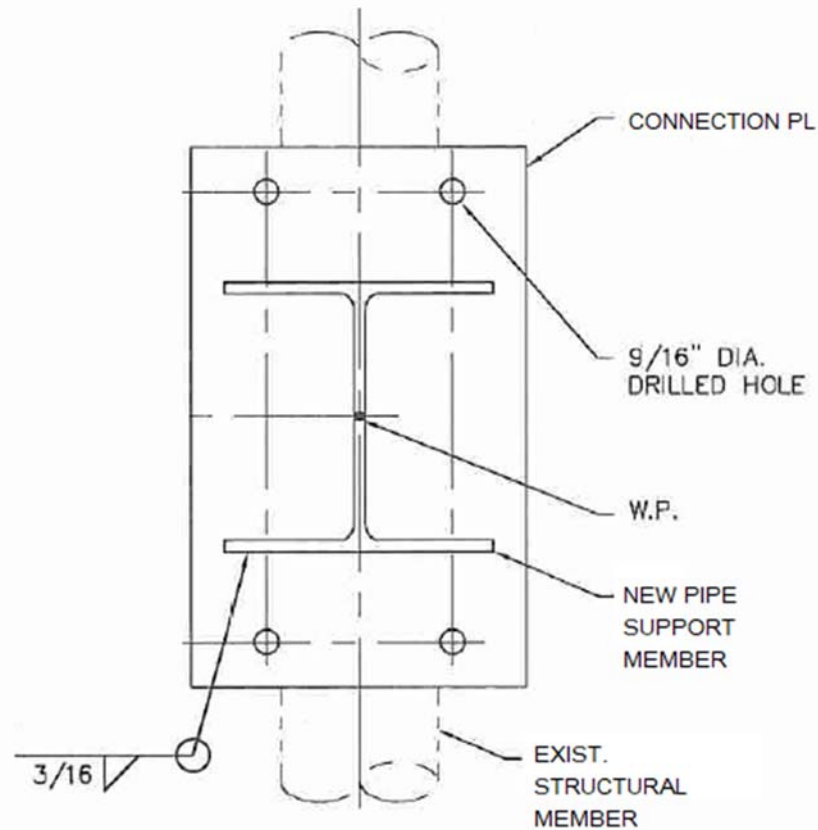


Figure 16: Elevation View of U-bolt Connection Detail (Claycomb)

2.3 Procurement, Fabrication, and Installation

2.3.1 Procurement and Fabrication

The total cost of the short bolt connection includes material procurement and fabrication. The procurement cost depends on the design of the clamp. If the circular clamp plate, ear plate, and stiffener plate are all different thicknesses, the fabrication yard will have to purchase three separate plates. In this case, the fabrication yard would have to purchase six different items to build the short bolt clamp.

The fabrication of the short bolt connection is more complex than that of the U-bolt connection. First the clamp plate, ear plate, and stiffener plate must be cut to the correct size. The

circular clamp plate must then be rolled to the correct diameter as to fit around the existing structural member. Then ear plates and stiffener plates must be welded to the circular clamp plate. Lastly, stud bolt holes must be drilled into the ear plate.

Because the U-bolt connection consists of only four items, it's procurement cost will be lower than the short bolt clamp. The fabrication cost will also be less expensive as the U-bolt clamp is much simpler than the short bolt. Once the fabrication yard has obtained the steel plate and other materials, they must cut the connection plate to the correct size and drill U-bolt holes in the correct location.

2.3.2 Surface Preparation of the Existing Structural Element

Before the new clamp connection is installed, the surface of the existing structural member must be inspected and prepared. Per API RP 2A-WSD, where connections are designed to be field installed, inspection methods should be developed to ensure proper installation in accordance with design assumptions (114).

2.3.3 Bolt Installation

The structural performance of both the short bolt and the U-bolt clamp depends on the installation. If the fit is too loose, the clamp's capacity will be reduced. If the fit is too tight, the clamp will be improperly installed.

In both the short bolt and U-bolt connection, the bolts are the primary means to transfer the forces across the connection. Per ISO 19902-2007, "The pre-tensioned bolts induce a continuous radial pressure on the substrate component, allowing friction on the contact surfaces, which then allows shear forces to be transferred between the parts of the clamp. The bolts can also provide a direct load path between the clamp parts" (152). The stud bolt in the short bolt connection should be pretensioned to resist disengagement. The bolts need to be pretensioned so

the clamp does not open up or slip. The substrate member's shear forces and bending moments try to pry the clamp open, while axial forces and torsional moment tend to cause the clamp to slip. The prying action on the clamp will be resisted by the extension in the bolts, and slippage will be resisted by the friction developed at the clamp-to-member interface. This frictional resistance is developed when the bolts are tightened. ISO 19902:2007 states that "because the prying action tends to relieve the contact pressure and, thus, decrease the resistance against slippage, the bolt prestress should correspond to the greater of the following two bolt forces: bolt forces required to resist the prying (without separation); bolt forces required to prevent slippage" (398).

To ensure that the bolts in the short bolt connection achieve their design tension, a suitable installation technique is required. ISO 19902-2007 Section 15.2.8.3 recommends the simultaneous use of hydraulic jacks or tensioners – one for each bolt. This technique, which pretensions each bolt simultaneously, avoids uneven preload, which can occur with sequential stressing techniques. The following stud tensioning systems are acceptable: Integra, Hire Torque, Hydratight, SPX (QR or SST), Enerpac, Tristar or TSS. These systems use hydraulic bolt tensioning technology that guarantees that each stud bolt develops the same load and provides a uniform clamping force across the joint. All of the systems follow a specified general procedure. First the hydraulic load cells are placed over each stud bolt. Next, the bolt tensioner's puller is threaded into each load cell. After the load cells are connected together with flexible hydraulic hoses, a pre-set hydraulic pressure is applied. This pressure actuates the hydraulic load cells and simultaneously places load on all of the stud bolts. Then a tommy bar is used to turn the locking collar on each bolt tensioner. This places the nut firmly onto the joint surface. Finally, the pressure is released and the bolt tensioning is complete. During the process of pre-tensioning, the

stud bolt acts like a spring. When the hydraulic pressure is applied, the bolt is stretched under tension. When the pressure is released, the bolt tries to contract, which creates a clamping force across the connection.

In U-bolt connections, the bolts are installed to a snug tight condition. As seen in Figure 15, the first nut on the U-bolt shall be tightened one half turn beyond a snug tight condition. The second nut shall be tightened against the first nut to a snug tight condition. According to the Specification for Structural Joints Using High-Strength Bolts, the snug tightened condition is defined as “the tightness that is attained with a few impacts of an impact wrench or the full effort of an ironworker using an ordinary spud wrench to bring the plies into firm contact” (RCSC 51). According to the Guide to Design Criteria for Bolted and Riveted Joints, the snug condition occurs, “when the turning of the nut was resisted by friction between the face of the nut and the surface of the steel. Snug-tightening the bolts induces small clamping forces in the bolts. In general, at the snug-tight condition the bolt clamping forces can vary considerably because elongations are still within the elastic range” (Kulak 54). Snug tight bolts have no required specified pretension, so a specific pretension cannot be assumed in a design/analysis method for this type of clamped connection.

2.3.4 Surface Preparation of the Connections

The objective of surface preparation is to provide the necessary level of cleanliness required for the designed coating system. According to NACE RP0176-2003 Section 12.2, the following general steps should be taken: all surface imperfections must be removed prior to surface preparations and the steel surface should be dry and contaminant-free prior to coating (22). There are various types of surface preparation. Automated blast-cleaning machines are one means of preparing plate, beams, and tubular members prior to fabrication. Air blast cleaning is

used when automated blast machines are not suitable, when cleaning is performed in the field, or when maintenance is performed offshore (NACE RP0176-2003 22.)

Proper surface preparation is necessary for the longevity of both the short bolt clamped connection and the U-bolt clamped connection. Installation of either clamped connection type will require the same surface preparation steps.

2.3.5 Coatings of the Connections

Each oil company follows their own specification that details the coating process and coating system. According to NACE RP0176-2003, high performance protective coating systems must be used due to the extremely corrosive offshore environment. Most coating systems are based on a highly inhibited prime coat that has “superior wetting and adhesion properties to retard undercutting by rust, and to passivate the surface” (NACE RP0176-2003 24). Wash primers, zinc-rich primers, and organic inhibitive primers are all commonly used prime coats. Primer coats must be overcoated with topcoats.

Topcoats act as barriers that restrict water, oxygen, and chemical ions permeation. Topcoats also provide added impact resistance, solvent resistance, and provide an aesthetically pleasing finish. Chemically cured coatings, solvent-deposited, thermoplastic type coatings, and thermal-sprayed aluminum are all types of topcoats. Table 1 lists typical coating systems used in the Atmospheric Zone (NACE RP0176-2003 27).

Table 1: Typical Coating Systems Used in the Atmospheric Zone (NACE RP0176-2003)

Coating System	Thickness	
	µm	mils
Inorganic zinc-rich self-cured primer	75	3
Epoxy tie-coat	50	2
High-build polyurethane	150 to 200	6 to 8
Epoxy intermediate and topcoat (2 coats)	250	10
Vinyl high-build intermediate coat	100 to 150	4 to 6
Vinyl topcoat (2 coats)	50	2
Epoxy intermediate coat	100 to 150	4 to 6
Vinyl acrylic or polyurethane topcoat	50	2
Co-polymer tie-coat	50	2
Vinyl high-build topcoat	150 to 250	6 to 10

^(A) The specified number of coats and the thickness may vary among operators and manufacturers

Typically, pipe supports and their miscellaneous hardware are hot-dip galvanized. Hot dip galvanizing is the process of coating fabricated steel by dipping it in a bath of molten zinc. The process of hot-dip galvanizing is explained below.

Once the fabricated pipe supports arrive at the galvanizing facility, they must go through surface preparation. As stated in the previous section, proper surface preparation is critical to the longevity of any coating system, including galvanizing. Zinc will not adhere to or react with unclean steel. Most galvanizing facilities have a three-step cleaning process. First the steel is degreased. In this step, dirt, oil, and organic residues are removed. The second step consists of placing the steel in an acidic pickling bath, which removes mill scale and iron oxide. The third step includes fluxing. Fluxing removes any remaining oxides and coats the steel with a protective layer to prevent any further oxide formation prior to galvanizing (Lindsley).

Once proper surface preparation has been performed, the steel is dipped into a hot molten bath, which is at a temperature of 830°F and consists of at least 98% zinc. While in the bath, zinc flows over, around, and through (if the shape is hollow) the steel element. According to the Lindsley, “while immersed in the kettle, the iron in the steel metallurgically reacts with the zinc

to form a series of zinc-iron intermetallic layers and an outer layer of pure zinc.” After the steel is hot-dip galvanized, it must be inspected visually or by using a magnetic thickness gauge, which verifies the coating thickness.

All of the components, in both the short bolt and U-bolt clamped connections, shall be hot-dip galvanized. The process protects the steel from corrosion. According to the online seminar, “the metallurgically-bonded zinc-iron alloy layers not only create a barrier between the steel and the environment, but also cathodically protect the steel. The cathodic protection offered by zinc means the galvanized coating sacrifices itself to protect the underlying base steel from corrosion. The tightly adhered coating, which has bond strength of around 3,600 psi, is also extremely abrasion-resistant, as the intermetallic layers are harder than the base steel.” (Lindsley). After the pipe support and miscellaneous items have been hot-dip galvanized, an additional layer of coating is applied. Although the pipe supports and their associated hardware are coated in multiple layers of protection, regular monitoring and maintenance is necessary.

2.4 Maintenance

2.4.1 Typical Offshore Maintenance

Corrosion is defined as “the deterioration of a material, usually a metal, that results from a reaction with its environment” (NACE RP0176-2003 1.) Offshore facilities are prime candidates for corrosion as these structures are continuously exposed to sun, wind, sea spray, and rain. Regular maintenance of offshore structures is required. Per ISO 19902:2007, steel offshore structures require efficient corrosion control to ensure that the structural members’ strength is not reduced by progressive corrosion degradation. Corrosion can affect the structural integrity of the platform.

Corrosion of the platform topsides is typically controlled by the application of a

protective coating system. Maintenance coatings must be compatible with the original coating system. The frequency and extent of recoating or touch-up work depends on the following: “extent and location of corrosion damage on the structure, stress or loading of the affected structure members, danger of spills and leaks from production piping and vessels, cost of recoating work, including set-up charge, cost of deferred production and any equipment downtime during coating operations, safety of personnel, and appearance factors” (NACE RP0176-2003 27.)

According to API RP 2A-WSD, in-place surveys shall be performed during the life of the platform. These surveys monitor the adequacy of the existing corrosion protection system. API RP 2A-WSD has four levels of surveys. Level I survey consists of “a below-water verification of performance of the cathodic protection system...and of an above-water visual survey to determine the effectiveness of the corrosion protection system employed, and to detect deteriorating coating systems, excessive corrosion, and bent, missing, or damaged members” (API RP 2A-WSD 107). Bolt retightening or possible replacement should be included in the surveys.

The frequency of these surveys depends upon the exposure categories of the platform for both life safety and consequence of failure considerations (API RP 2A-WSD 108). Table 2, which is taken from API RP 2A-WSD Table 14.4.2.1, gives a guideline for the timing between surveys.

Table 2: Guideline Survey Intervals (API RP 2A-WSD)

Exposure Category Level	Survey level			
	I	II	III	IV
L-1	1 yr	3 through 5 yrs	6 through 10 yrs	*
L-2	1 yr	5 through 10 yrs	11 through 15 yrs	*
L-3	1 yr	5 through 10 yrs	*	*

Note: yrs = years.

The Code of Federal Regulations 49 Section 192.481, which covers monitoring atmospheric corrosion control, states that the operator “must inspect each pipeline or portion of pipeline that is exposed to the atmosphere for evidence of atmospheric corrosion...at least once each calendar year. During inspections the operator must give particular attention to pipe at soil-to-air interfaces, under thermal insulation, under disbanded coatings, at pipe supports, in splash zones, at deck penetrations, and in spans over water” (49 CFR §192.481).

2.4.2 Corrosion Issues

There are various types of corrosion: uniform attack corrosion, galvanic corrosion, intergranular corrosion, weld decay, pitting, concentration-cell corrosion, erosion corrosion, selective leaching, dezincification, stress corrosion cracking, fretting corrosion, and cavitation corrosion (Lindeburg 22-19). Pipe support corrosion is a common problem in the offshore oil and gas industry.

Concentration-cell corrosion, also known as crevice corrosion or intergranular attack, is the most common corrosion issue at pipe support locations. According to Lindeburg, crevice corrosion, “occurs when a metal is in contact with different electrolyte concentrations. It usually occurs in crevices, between two assembled parts, under riveted joints, or where there are scale and surface deposits that create stagnant areas in a corrosive medium (22-19). A crevice is

formed where a pipe is supported by a structural member. If moisture gets trapped in the crevice, first the protective coating will be attacked. Once coating failure has occurred, the pipe's bare steel will be in contact with water and oxygen (Young, Steve). Figure 17 illustrates the process of crevice corrosion.

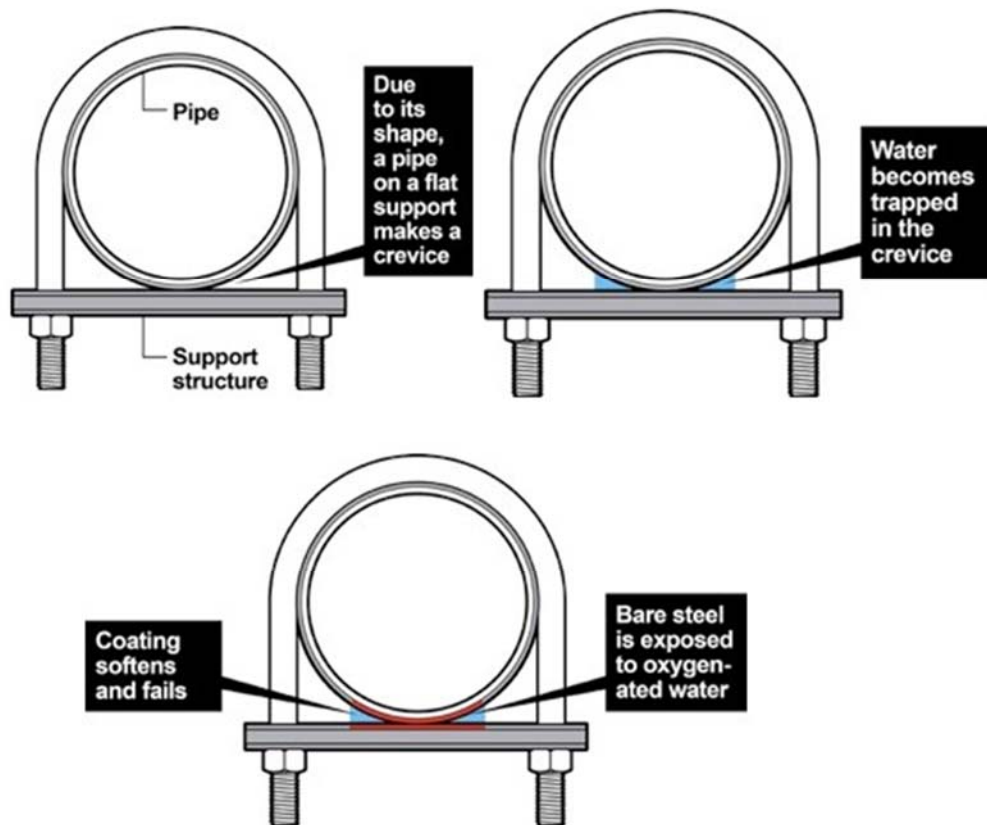


Figure 17: Process of Crevice Corrosion (Young, Steve)

Corrosion can occur at both the short bolt and the U-bolt clamped connection. There is no indication in literature that one type of clamped connection corrodes first or faster than the other. Corrosion is not a valid reason to select one type over the other.



Figure 18: Example of Corrosion at Pipe Support (Young, Steve)



Figure 19: Another Example of Pipe Support Corrosion (Britton)



Figure 20: Another Example of Corrosion at a Pipe Support (Tillman)

Chapter 3

Analysis Method of Short Bolt and U-bolt Clamped Connections

3.1 Short Bolt Connection

ISO 19902:2007 15.3.4.1 states that “the internal forces in the substrate components and in the attached members generally translate into the following forces on clamp:

- a) shear forces and bending moments that tend to separate the clamp pieces
- b) axial forces and torque along the clamp axis that tend to produce relative slippage between the clamp and the substrate members.

Prestressed clamps transfer forces by radial bearing contact and friction at the clamp to member interface. Therefore, the long-term bolt forces shall be of such magnitude as to ensure that the contact pressure induced by the bolts is not overcome by the separation action due to the forces applied to the clamp. At the same time, the contact pressure shall develop sufficient friction to resist slippage. Similar to grouted connections, the interaction of the bending moments and shear forces with the axial force, all acting at the free ends of the clamp, tends to enhance the slip strength of the clamp. Therefore, it is conservative to assume that the separation and slip forces do not interact” (ISO 19902:2007 150).

Short bolt clamps are designed to endure and transfer the forces and moments in the members attached to the clamp and substrate member. “The design process involves selecting the size, number, distribution and preload of the bolts, in conjunction with a clamp configuration such that the clamp shall sustain and transfer the forces in the clamped and attached members without opening, slipping or crushing the clamped members” (ISO 19902:2007 153)

The following method of design is based on ISO 19902:2007. Once the forces and reactions have been calculated, either by hand or by a structural analysis computing system, the

first step in the design procedure is to check prying. The goal of this step is to find the minimum pre-tension to resist prying. This calculation is done by determining the prying moment, calculating the force on the end bolt pair induced by the prying moment, calculating the force on the end bolt pair induced by the forces in the added member, and by determining the minimum required bolt pre-tension to resist prying. The bolt pretension must be at least 10 kips. Then the total pre-tension load can be calculated.

The second step is to check slip. This is done by first calculating the acting slip, the acting slip stress, and then the slip strength. The slip strength must be calculated by using the bolt pre-tension, which was selected in the first step. Compare the acting slip with the slip strength. If the acting slip is greater than the slip strength, then the bolt pre-tension must be increased until it is large enough to adequately resist the acting slip.

The third step is to check the bolts according to the AISC Steel Manual for shear and tension. Minimum bolt spacing and minimum edge distance must also be checked. The ear plate must be checked for bearing and for shear rupture at the bolt holes.

The fourth step is to check the ear plate for bending. Bending in the ear plate should be checked according to Roark's formulas for a rectangular plate with three edges fixed and one edge free. Bending of the combined section (ear plate and stiffeners on one half of the clamp) should be checked for the moment caused by half of the total bolt load. The ear plate should be treated as a cantilever beam that is fixed at the clamp plate and loaded at the centers of the bolt holes.

The fifth step is to check the clamped member according to Roark's formulas for thin or thick-walled vessels. The acting radial pressure must be calculated. Then determine if the clamped member is thin or thick-walled. If the member is thin-walled, the collapsing pressure

and the circumferential (hoop) stress must be checked. If the member is thick-walled, the bursting pressure and the circumferential stress must be checked.

The sixth step is to check the circular clamp plate for bending due to M_y and M_z . Each clamp half must resist half of M_y and half of M_z . The clamp also must be checked for tension.

3.2 U-bolt Connection

Unlike the short bolt clamped connection, the U-bolt connection does not have a vetted design procedure. This thesis will attempt to produce a guideline for designing the U-bolt connection for a cantilever type pipe support. U-bolts are typically manufactured from A36 steel, which is a lesser grade than the structural bolts in the short bolt connection. As already mentioned, the U-bolt connection will be designed considering a snug tight condition. Thus, the connection will not ensure a specific U-bolt pretension.

If a specified pretension on the U-bolt can not be relied on, Figure 21 provides an idealization of the connection plate's loading. A few simplifying assumptions must be made. It is assumed that the pipe support beam and the base plate have coincident centroids.

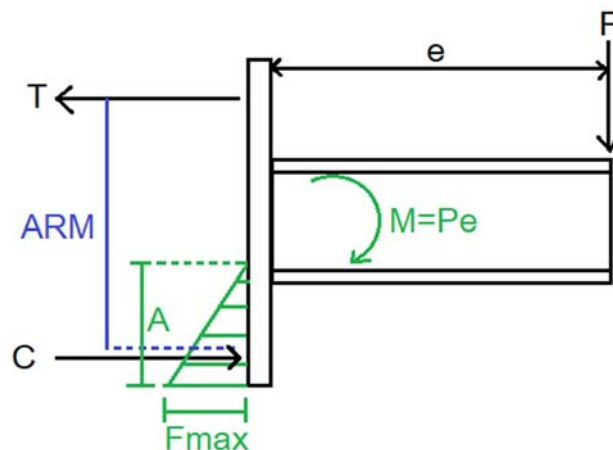


Figure 21: U-bolt Free Body Diagram (Claycomb)

The top U-bolt will be in tension, while the bottom U-bolt cannot be relied on to be the

compressive force resisting the top U-bolt's tension. By rules of static equilibrium, the tension in the top bolt must equal the compressive resultant in the bottom of the plate. It is also assumed that a triangular pressure distribution across the length of the base plate in the direction of the applied moment will result on the base plate. The triangular pressure distribution will have the maximum pressure on the compressive side and zero pressure on the tensile side.

The gravity weight of the piping acting at a distance away from the U-bolt connection will cause a moment. This moment must be resisted by the tension in the top U-bolt multiplied by the moment arm, which is the distance from the tension bolt to the centroid of the triangular pressure distribution. The plate will be pressed into the supporting vertical, which in this case is the circular pipe. The contact area is a function of tension as summation of forces in the x-direction must be zero. The contact area is the length A multiplied by the width b .

This is an iterative process. To start, a length A of the triangular pressure distribution is assumed. The moment arm is dependent on the A dimension; therefore, once A is set, the moment arm is calculated. Once the moment arm is set, the tension in the U-bolt can be calculated.

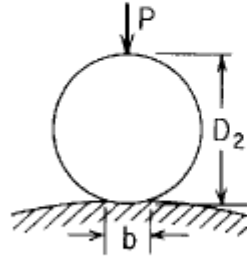
The next step is to determine the force in the compression U-bolt. The compression force is assumed to be the contact area multiplied by half of the maximum pressure on the compressive side. The contact area is equal to the contact width multiplied by the length of the triangular pressure distribution. The contact width b , which is determined using Roark's Case 2a from the Formulas for stress and strain due to pressure on or between elastic bodies (Table 14.1), is a function of the tension in the U-bolt.

Hertzian contact theory is used to calculate the contact width b , involved in the U-bolt connection. Hertzian contact stress is a description of the stresses between two bodies in contact.

In Hertz's classical theory, which is primarily based on non-adhesive contact, it is assumed that no tension force is allowed to occur within the contact area. According to Zhu, the following assumptions are made in determining the solutions of Hertzian contact problems: "the strains are small and within the elastic limit, each body can be considered an elastic half-space, i.e., the area of contact is much smaller than the characteristic radius of the body, the surfaces are continuous and non-conforming, and the bodies are in frictionless contact" (Zhu.) The theory of contact between elastic bodies can be used to find contact areas. Zhu discusses five types of commonly used Hertzian contact solutions: contact between a sphere and an elastic half-space, contact between two spheres, contact between two cylinders with parallel axes, contact between a rigid cylinder and an elastic half-space, and contact between a rigid conical indenter and an elastic half-space. The fifth solution can be directly applied to the U-bolt connection, provided that the cylinder (the vertical support) remains perfectly rigid (does not deform) during loading.

The U-bolt connection plate and compressive zone can be represented by a cylinder pushed into a flat plate. Warren Young gives the formulas for the elastic stress and deformation produced by pressure between bodies of various forms and for the dimensions of the circular, elliptical, or rectangular area of contact formed by the compressed surfaces (Young, Warren 703). These equations are based off of Hertz's theory. Hertz assumed that the length of the cylinder and dimensions of the plate are to be infinite. An analysis was done on a typical U-bolt connection to determine if Hertz's theory could be used to accurately analyze the U-bolt connection.

2. Cylinder of length L large as compared with D ; $p =$ load per unit length $= P/L$

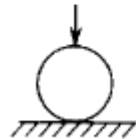


If $E_1 = E_2 = E$ and $\nu_1 = \nu_2 = 0.3$, then

$$b = 2.15 \sqrt{\frac{pK_D}{E}}$$

$$(\sigma_c)_{\max} = 0.591 \sqrt{\frac{pE}{K_D}}$$

- 2a. Cylinder on a flat plate



$$K_D = D_2$$

$\tau_{\max} \approx \frac{1}{3}(\sigma_c)_{\max}$ at a depth of $0.4b$ below the surface of the plane

Figure 22: Case 2a from Roark's Table 14.1 (Young, Warren)

The P (total load) from Figure 22 is calculated as two multiplied by the tension in the U-bolt. The load per unit length is calculated as the total load divided by the tributary length of the pipe. A length of twenty feet is conservatively used as the tributary length of the piping. After the load per unit length is calculated, the contact width can be calculated from the formula in Figure 22. Then the maximum pressure on the compressive side of the base plate can be calculated. It is assumed to be 75% of the yield stress, which is from AISC 9th edition, Equation F2-1 (AISC 5-48).

It is expected that the tension in the top bolt will equal the compression resultant force in

the bottom portion of the plate as it pushes against the existing vertical support.

A few example calculations were performed to prove these proposed guidelines. The results can be found in the Table 3. These results were not expected. The tension in the U-bolt should equal the compression resultant. Based on these results, it was determined that the Hertzian contact width is too small to develop the necessary resisting moment. Hertz's assumption that the cylinder remains perfectly rigid is not an accurate prediction of actual behavior.

Table 3: Results from Example Calculations

Assumed A	Arm	T	P	p	b	contact area	C
inches	inches	kips	kips	kips/inch	inch	inch ²	kips
1	10.67	0.56	1.12	0.0047	0.0018	0.0018	0.02
2	10.33	0.58	1.16	0.0048	0.0019	0.0037	0.05
3	10	0.6	1.2	0.0019	0.0019	0.0057	0.08
6	9	0.67	1.33	0.0056	0.002	0.012	0.16
8	8.33	0.72	1.44	0.006	0.0021	0.017	0.22
10	7.67	0.78	1.56	0.0065	0.0022	0.02	0.29
12	7	0.86	1.71	0.0071	0.0023	0.027	0.37

A finite element analysis (FEA) can be used to obtain a more precise width of the contact area to accurately predict the actual connection behavior. A few more example calculations were performed to determine what would happen if the contact width was multiplied by various whole number factors, thus modifying the Hertzian contact area. The results are listed in Table 4. By increasing the contact area, by the use of a constant C_b , to modify the width b , the results accurately predict the actual connection behavior. The vertical pipe support is not acting as a rigid, non-deforming cylinder. Table 4 indicates that a wider breadth than given using Hertzian theory results in a more realistic behavior. The proposed modifier C_b could be calculated using FEA and would be a function of thickness and material of both the vertical pipe structural

framing member and the U-bolt steel plate.

Table 4: Results from Factored Example Calculations

<i>Assumed A</i>	C_b <i>Factor</i>	b'	<i>Contact Area'</i>	T	C
inches		inch	inch ²	kips	kips
2	2	0.0038	0.0076	0.58	0.10
2	3	0.0057	0.0114	0.58	0.15
2	4	0.0076	0.0152	0.58	0.21
2	11	0.209	0.0418	0.58	0.56
3	8	0.0152	0.0456	0.6	0.62
6	4	0.008	0.048	0.67	0.65

An alternate method of analysis is suggested, which relies on a minimum tension in the U-bolts to be attained. Snug tight bolt tightening cannot be used for a required pretension in the U-bolt. Standard materials for U-bolts do not allow for tightening procedures which ensure a particular level of pretension attainment. If minimum pretension in the U-bolt is attained, Figure 23 provides an idealization of the connection plate's loading. In this figure, the tension and compression forces are at the center of gravity of the top and bottom U-bolts. This is a design analysis that is typical for a high strength bolted connection. The moment due to the gravity load is resisted by the tension in the U-bolt multiplied by the vertical distance between the set of U-bolts. The summation of forces in the y direction must equal zero. The maximum tension and the maximum shear in the U-bolts must be checked against the allowable tension and shear per AISC, 9th edition. For this design analysis methodology to be valid, the U-bolt must be custom made of grade A325 steel and the bolt tightening must follow that of high strength bolt procedures. These changes would negate any cost savings.

Once the U-bolts have been determined to be adequate for the anticipated tension and shear, caused by the moment, the base plate shall be checked for weak axis bending. In both of the U-bolt analyses, friction must be regarded. The frictional forces in the connection will resist

the vertical load.

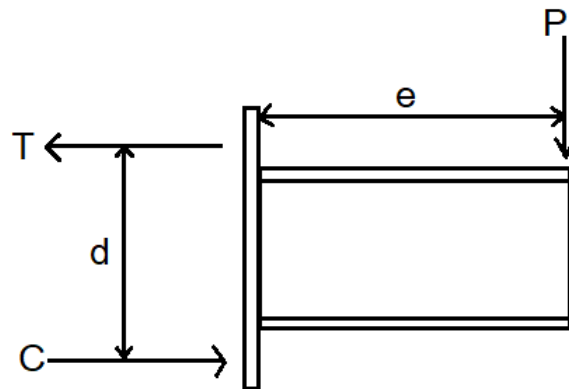


Figure 23: Alternate U-bolt Analysis Free Body Diagram (Claycomb)

In both the proposed U-bolt analysis and the alternate U-bolt analysis, the structural vertical member must be checked local crushing. Similarly to step five of the short bolt design procedure, the clamped member must be analyzed according to Roark's formulas for thin or thick-walled vessels. The acting radial pressure must be calculated. Then determine if the clamped member is thin or thick-walled. If the member is thin-walled, the collapsing pressure and the circumferential (hoop) stress must be checked. If the member is thick-walled, the bursting pressure and the circumferential stress must be checked.

Chapter 4

Future Study

4.1 Summary and Conclusion

In conclusion, clamped connections are an important design component when adding additional services in a brownfield project. When a new structural support must be attached to an existing vertical structural pipe, a clamped connection must be utilized. The short bolt clamped connection has a well-vetted design methodology. The U-bolt clamped connection is an alternative connection, which is not well researched or documented. In this thesis, a preliminary design methodology for the U-bolt connection was discussed. Results indicate that the vertical pipe support is not acting as a rigid, non-deforming cylinder. Therefore, the Hertzian contact area calculations are not truly applicable. These results prove that this preliminary design methodology needs further study in order to determine the required modification factor C_b .

4.2 Future Study

To finalize the design methodology of the proposed U-bolt connection, a Finite Element Analysis (FEA) sensitivity study should be done. By using a FEA software package, the U-bolt plate and the vertical structural pipe materials and thicknesses could be more accurately analyzed. The FEA software will allow the user to analyze each individual element. The Hertzian width modifier C_b could be determined for all cases. Once this FEA study yields a table for the Hertzian width modifier C_b , the design procedure given in Chapter 3.2 of this thesis can be reliably followed in the design of the U-bolt connection.

References

- AISC Manual of Steel Construction, Allowable Stress Design*. 9th Edition. American Institute of Steel Construction, Chicago, November 1989.
- Britton, Jim. "New Paint Preservation Technologies for Offshore & Marine Equipment." 1998. From NAVY Conference. www.stoprust.com/technical-library-items/30-marine-paint-preservation
- Claycomb, Helen. 2-D and 3-D Figures of clamped pipe supports. 2019. Author's personal collection.
- Cody, Brian. Photo of Big Foot Being Towed into the Gulf. *Big Foot passes through*, Port Aransas South Jetty, 30 January 2018, www.portasouthjetty.com/articles/big-foot-passes-through/.
- Corrosion Control of Steel Fixed Offshore Structures Associated with Petroleum Production*. NACE International Standard Recommended Practice. RP0176-2003, NACE International, Houston, Texas.
- Fort, Vincent and Stephane Taxy. "Topsides modifications approach optimizes brownfield projects." *Offshore Magazine*, 7 July 2016, www.offshore-mag.com/field-development/article/16754798/topsides-modifications-approach-optimizes-brownfield-projects, Accessed 28 September 2019.
- Kulak, Geoffrey L., et al. *Guide to Design Criteria for Bolted and Riveted Joints*. Second Edition. Chicago. American Institute of Steel Construction, Inc. 2001.
- Lamb, Robert. "How Offshore Drilling Works". 10 September 2008. How Stuff Works. <https://science.howstuffworks.com/environmental/energy/offshore-drilling4.htm>. Accessed 28 September 2019.

Lindeburg, Michael R. *Civil Engineering Reference Manual for the PE Exam*. 15th Edition. Professional Publications, Inc., 2015, Belmont, California.

Lindsley, Melissa. “Sustainable Development and Hot-Dip Galvanizing – online Galvanize It! Seminar” *American Galvanizers Association*. Revised in April 2017.
<https://galvanizeit.org/sustainable-development-hot-dip-galvanizing-online-seminar/>.

Nielsen, James, Photo of Shell’s Ursa platform in the Gulf. *Shell kicks off production with Kaikias in Gulf of Mexico*. Chron, 1 June 2018,
<https://www.chron.com/business/energy/article/Shell-kicks-off-production-with-Kaikias-in-Gulf-12959195.php>.

“Oil and Gas and Sulphur Operations in the Outer Continental Shelf,” Title 30, *Code of Federal Regulations*, Pt. 250.113. 2019 Edition.

Petroleum and natural gas industries – Fixed steel offshore structures, International Standard 19902. First Edition, 2007, ISO, Switzerland.

Platform Structures Online Query, Bureau of Safety and Environmental Enforcement.
<https://www.data.bsee.gov/Platform/PlatformStructures/Default.aspx>. Accessed 28 September 2019.

Recommended Practice for Planning, Designing, and Constructing Fixed Offshore Platforms- Working Stress Design, API Recommended Practice 2A-WSD (RP 2A-WSD). 21st Ed., December 2000. Errata and Supplement 1, December 2002. Errata and Supplement 2, September 2005. Errata and Supplement 3, October 2007. American Petroleum Institute, Washington, DC.

Safe Hot Tapping Practices in the Petroleum and Petrochemical Industries. API Recommended

Practice 2201 (API RP 2201). 5th Ed, July 2003. American Petroleum Institute, Washington, DC.

Specification for Structural Joints Using High-Strength Bolts, Research Council on Structural Connections. 1 August 2014. Prepared by RCSC Committee A.1, RCSC, Chicago.

Tillman, Jason. Photo of pipe support in the Gulf of Mexico. 2019. Author's personal collection.

“Tieback Time,” *Offshore Technology*. 28 February 2007, www.offshore-technology.com/features/feature1033/, Accessed 28 September 2019.

“Transportation of Natural and Other Gas by Pipeline: Minimum Federal Safety Standards,” Title 49, *Code of Federal Regulations*, Pt. 192.481. 2019 Edition.

Young, Steve. “Why These 5 Common Pipe Support Designs Fail.” Deepwater Corrosion Services Inc., 2019, <https://stoprust.com/technical-library-items/why-these-5-common-pipe-support-designs-fail/>.

Young, Warren C. and Richard G. Budynas. *Roark's Formulas for Stress and Strain*. 7th Edition. McGraw-Hill, 2002. New York, New York.

Zhu, Xiaoyin. “Tutorial on Hertz Contact Stress.” 1 December 2012. <https://wp.optics.arizona.edu/optomech/wp-content/uploads/sites/53/2016/10/OPTI-521-Tutorial-on-Hertz-contact-stress-Xiaoyin-Zhu.pdf>.

Vita

Helen Mattei Claycomb, P.E. was born in Metairie, Louisiana in 1993. She completed her primary education at St. Mary's Dominican High School in 2011, and received a Bachelor's of Science (B.S.) degree in Engineering from the Civil and Environmental Engineering Department at the University of New Orleans (UNO) in December 2014. Immediately after her graduation, she began working full time at an engineering consulting firm and taking night classes to pursue her Master's of Science (M.S.) in Engineering.