

Comparing Unloaded Q-Factor of a High-Q Dielectric Resonator Measured Using The Transmission Mode and Reflection Mode Methods Involving S-Parameter Circle Fitting.

K. Leong*, J. Mazierska, M.V. Jacob, D. Ledenyov, S. Batt

Electrical and Computer Engineering, James Cook University, Townsville. 4811. Australia

* now with the National Institute of Standards and Technology, Boulder, CO 80305-3328, USA

Abstract — A comparative study of unloaded Q-factor measurements of a TE₀₁₁ mode sapphire dielectric resonator with unloaded Q-factor value of 731,000 at a frequency of 10 GHz and temperature of 65 K using two best Q-factor measurement methods are presented. The Transmission (TMQF) and Reflection methods are based on relevant multifrequency S-parameter measurements and circle-fitting procedures to compute the unloaded Q-factor of the resonator. For accurate comparison of the methods a delay compensation procedure (introduced in the TMQF technique to remove delay due to noncalibrated cables) has been applied also to the reflection data.

I. INTRODUCTION

Accurate measurements of microwave properties of materials using dielectric resonators require precise computations of the unloaded Q factor of the resonator. There are various methods which enables measurement the Q-factors of microwave resonators [1-14]. However, not all of them take into account practical effects introduced by a real measurement system. The practical effects include noise, crosstalk, coupling losses, transmission line delay, and impedance mismatch. Inadequate accounting of the practical effects may lead to significant uncertainty in the Q-factor obtained [8,13,14,15].

Two of the most accurate and practical Q-factor methods used today include the Reflection method for reflection mode resonators [1] and the Transmission Mode Quality Factor Technique for transmission mode resonators [13,15]. The methods involve circle-fitting procedures applied to multiple data points representing S-parameter responses of the resonator around the resonance. The circle fitting techniques have become a popular choice for determination Q-factors of dielectric resonators because measurements of S-parameters can be done accurately and conveniently using vector network analysers.

This paper presents results of the accuracy comparison of the Reflection method and the TMQF technique.

II. TRANSMISSION AND REFLECTION MODE METHODS FOR COMPUTATION OF THE Q-FACTOR

The Transmission Mode Q-Factor (TMQF) method and the Reflection Mode method applicable to resonators working in the transmission mode and the reflection mode are based on the circuit models of a dielectric resonator system shown in Fig. 1 and Fig. 2 respectively.

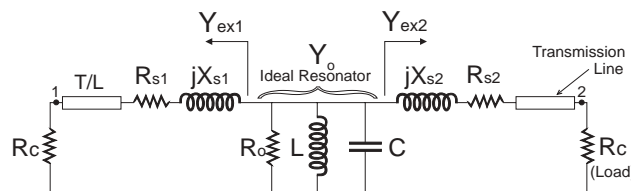


Fig. 1 Circuit model of a transmission mode dielectric resonator system used to develop the Transmission Mode Q-Factor technique [13].

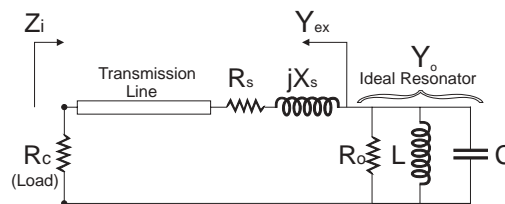


Fig. 2 Circuit model of a reflection mode dielectric resonator system used to develop the Reflection Mode method[1].

Each of the circuits shows an ideal resonator connected to an external circuit, and incorporates elements to account for a lossy coupling and coupling reactance (R_s and X_s). The fundamental equations to calculate the unloaded Q_o -factor from the loaded Q_L -factor and the coupling coefficient(s) for the transmission and reflection mode resonators are:

$$Q_o = Q_L(1 + \beta_1 + \beta_2) \quad (1)$$

and

$$Q_o = Q_L(1 + \beta) \quad (2)$$

The loaded Q_L -factor and the coupling coefficients are determined from the circle fitting procedures of the Q -factor methods, which requires measurements of S -parameter response(s) of the resonator around the resonance. Relationships describing S_{21} , S_{11} , and S_{22} with Q_L , β_1 and β_2 for the TMQF technique are given below after [13,15]:

$$S_{21}(\omega) = \frac{2R_c Y_{ex1} Y_{ex2}}{G_o(I + \beta_1 + \beta_2) \left[1 + j2Q_L \frac{(\omega - \omega_L)}{\omega_o} \right]} \quad (3)$$

$$\approx \frac{2R_c Y_{ex1} Y_{ex2}}{G_o(I + \beta_1 + \beta_2) \left[1 + j2Q_L \frac{(\omega - \omega_L)}{\omega_L} \right]}$$

where ω_o and ω_L are the unloaded and loaded resonant frequencies [13]. For the Reflection Mode method [1], the fundamental equation relating S_{11} with Q_L and β is:

$$S_{11} = \frac{S_{11d} + de^{j\gamma} + j2Q_L S_{11d} \left(\frac{\omega - \omega_L}{\omega_o} \right)}{1 + j2Q_L \left(\frac{\omega - \omega_L}{\omega_o} \right)} \quad (4)$$

where $d = d_2 \frac{\beta}{1 + \beta}$, d_2 is a complex constant, S_{11d} is the

detuned value of S_{11} at frequencies far from the resonant frequency, and

$$\gamma = -2 \tan^{-1} \left[\frac{X_s}{R_c + R_s} \right] \quad (5)$$

For transmission (S_{21}) and reflection (S_{11} or S_{22}) parameters of the dielectric resonator system around resonance, the path of the S -parameter vector traced in the complex plane is ideally a circle referred as a 'Q-circle'. The Q-circle for all three S parameters has the functional form [1]:

$$S = \frac{a_1 t + a_2}{a_3 t + 1} \quad (6)$$

where a_1 , a_2 and a_3 are three complex constants, and 't' is a normalised frequency variable defined by the following function of frequency:

$$t = 2 \left(\frac{\omega - \omega_L}{\omega_L} \right) \quad (7)$$

The constants a_1 , a_2 and a_3 are computed using the Fractional Linear Curve Fitting Technique applied to N points measured around the resonance [1].

In both the transmission mode and reflection mode methods, the loaded Q_L -factor is simply:

$$Q_L = \text{Im}[a_3] \quad (8)$$

However, for the transmission mode method Q_L -factor is obtained from the circle-fitting to the S_{21} Q-circle, while

the reflection mode method it is obtained from the S_{11} Q-circle.

The coupling coefficient β for the reflection mode resonator [1] is considered to be a sum of lossless β_i and lossy parts β_L :

$$\beta = \beta_i + \beta_L \quad (9)$$

where

$$\beta_i = \frac{1}{2 \left(\frac{1}{d_Q} + \frac{1}{d_L} \right)}, \quad \beta_L = \frac{\left(\frac{2}{d_L} - 1 \right)}{2 \left(\frac{1}{d_Q} + \frac{1}{d_L} \right)} \quad (10)$$

The total port coupling coefficient is simply computed from the respective diameters d_Q and d_L of the Q-circle and coupling loss circle as:

$$\beta = \frac{1}{\frac{d_L}{d_Q} - 1} \quad (11)$$

The coupling loss circle shown in Fig. 3 is defined as the circle that lies tangential to the-reflection S_{11} Q-circle and the unit circle [1]. The diameters of the Q-circle and the coupling loss circle are determined using equations (12) and (13) respectively:

$$\text{diameter of } Q \text{ circle} = \left| a_2 - \frac{a_1}{a_3} \right| \quad (12)$$

$$\text{Diameter of Loss Circle} \Big|_{\text{port } p} = \frac{1 - |S_{ppd}|^2}{1 - |S_{ppd}| \cos \phi} \quad (13)$$

where the detuned value S_{ppd} is the value of the S -parameter at frequencies far away from the resonant frequency.

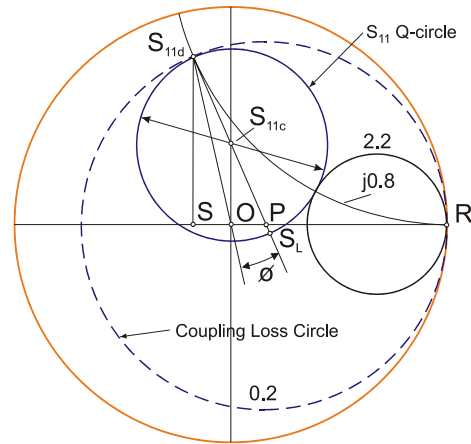


Fig. 3 Q-circle and Coupling Loss circle based on [1]

For the transmission mode resonator, there are two coupling coefficients and they have been considered in the

same way as in [1] to consist of the lossless and lossy parts.

$$\beta_p = \beta_{pi} + \beta_{pL} \quad (14)$$

where the port number is denoted by p (= 1 or 2).

The equations describing the lossless β_{pi} and lossy β_{pL} parts of the port coupling coefficient are different than that for the reflection method, and these have been obtained in [13,15] as:

$$\beta_{pi} = \frac{x}{2 \left[1 - \left(\frac{x}{d_1} + \frac{y}{d_2} \right) \right]}, \quad \beta_{pL} = \left(\frac{2}{d_p} - 1 \right) \beta_{pi} \quad (15)$$

where d_1 is a diameter of port 1 coupling loss circle, d_2 is a diameter of port 2 coupling loss circle, x is a diameter of port 1 (S_{11}) Q-circle, y is a diameter of port 2 (S_{22}) Q-circle. The diameters of the S_{11} and S_{22} Q-circles and coupling loss circles for the transmission mode method are determined using the same equations (12) and (13) as for the reflection mode method.

III MEASUREMENTS OF Q_0 FACTOR OF THE SAPPHIRE DIELECTRIC RESONATOR USING THE TRANSMISSION MODE Q -FACTOR METHOD AND THE REFLECTION METHOD

The measurement system shown in Fig 4 includes HP8722C vector network analyser, vacuum dewar, a temperature controller, and a Hakki-Coleman sapphire dielectric resonator with copper cavity and superconducting end-walls.

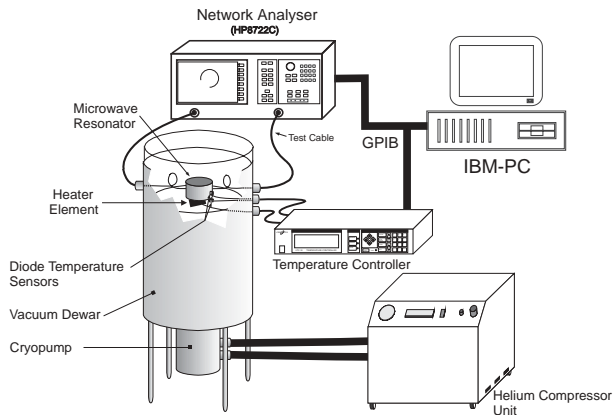


Fig. 4 Measurement system used in the comparison measurements of unloaded Q_0 -factor of the sapphire dielectric resonator.

The resonator is coupled to the external system (on each side) via a coupling loop situated at the end of a semi-rigid

cable as shown in Fig. 5. The other end of the cable connects to a feed-through connector on the wall of the dewar. Since the dielectric resonator used in the tests is essentially a transmission mode resonator, measurements for Reflection Mode resonator tests were made on port 1 side while the port 2 side was fully decoupled.

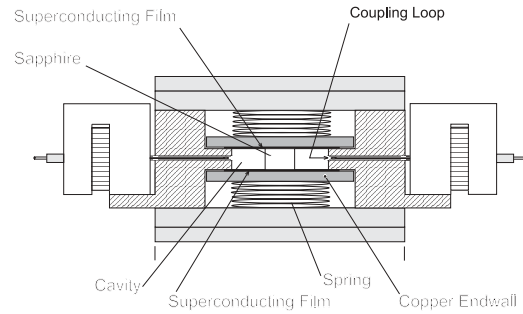


Fig. 5 The TE_{011} mode sapphire dielectric resonator used for the Q_0 -factor comparison tests.

The comparison test involved using each technique to determine the Q_0 -factor of the dielectric resonator for different levels of coupling. The transmission mode tests required measurements of three S-parameters (S_{21} , S_{11} , and S_{22}) for each level of coupling. For the reflection mode test, only one parameter (S_{11}) was needed. As mentioned in the Abstract a procedure to remove the phase delay developed for the TMQF technique has been applied to the Reflection technique.

Results of the Q_0 -factor comparison test for different positions of the tips of the coupling loop with respect to the lateral wall of the cavity are shown in Fig. 6.

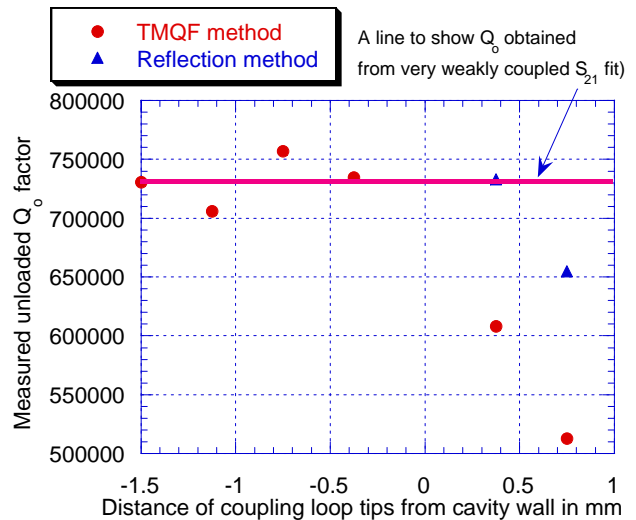


Fig. 6 Measured Q_0 -factor of the sapphire resonator using the Transmission (TMQF) and Reflection techniques.

The positions of the loop tips range from 1.5 mm external to the cavity to 0.75 mm internal to the cavity (the negative values of loop distance in the figure indicates positions exterior to the cavity). The value of the Q_0 -factor obtained for the very weak coupling of 730742 was used as a reference and shown as the line in Fig. 6. Values of coupling coefficients for varying loop positions are listed in Table 1.

TABLE 1. Coupling coefficients obtained for various loop positions.

| Loop distance in mm | β_1, β_2 (TMQF) | β (Reflection method) |
|---------------------|---------------------------|-----------------------------|
| 0.750 | 1.652, 1.381 | 2.064 |
| 0.375 | 0.919, 0.806 | 0.996 |
| -0.375 | 0.138, 0.090 | - |
| -0.750 | 0.059, 0.041 | - |

IV. CONCLUSIONS

Results of a comparison study of unloaded Q-factor measurements of two best Q-factor determination methods have been presented, namely the Transmission Mode and Reflection Mode methods. Under the test conditions described in III, the results show that the accuracy of the two methods are comparable. However the TMQF technique enables measurements with small coupling coefficients what is not feasible for the Reflection technique. The error in Q_0 -factors is estimated to be less than 3% for loop tip distances between -0.4 mm to $+0.4$ mm corresponding to port coupling coefficient values ranging from about 0.4 to 1.0. For these levels of coupling, the observed reflection Q-circles were well-defined with signal-to-noise ratio greater than 27.5 dB.

For coupling loop positions larger than 0.4 mm inside the cavity, a significant reduction in the Q_0 -factor obtained from both Q-factor methods is observed. The authors expect the observed effect is due the presence of the coupling loops and semi-rigid cable inside the cavity, which reduces the unloaded Q_0 -factor of the system.

For loop positions larger than 0.4 mm outside the cavity, the coupling becomes so small that reflection S_{11} and S_{22} Q-circles cannot be measured accurately. As coupling is gradually reduced, it has been observed that measurements of reflection (S_{11} and S_{22}) Q-circles become unreliable well before the same problems with S_{21} Q-circles occur following [13]. Hence it is expected that the accuracy of the Transmission Mode method can provide higher accuracy for very weak coupling conditions, but not so weak to encounter unreliable measurements of S_{21} Q-circles.

Acknowledgement: This work was done under the ARC Large Grant A079 (James Cook University) what is gratefully acknowledged.

REFERENCES

- [1] D. Kajfez: "Q Factor", Vector Fields, 1994.
- [2] E.L. Ginzton: "Microwave Measurements", McGraw Hill Book Co., pp 403-408, 1957.
- [3] E.J. Vanzura, J.E. Rogers: "Resonant circuit model evaluation using reflected S-parameter data", *Proceedings of the IEEE Instrumentation and Measurement Technology Conference*, May 14-16 Atlanta, pp. 150-155. 1991.
- [4] J. Wosik, L.M. Xie, K. Nesteruk, D. Li, J.H. Miller. Jr., S.A. Long: "Power handling capabilities of superconducting YBCO thin films: thermally induced nonlinearity effects", *Journal of Superconductivity*, vol. 10, No. 2, pp. 97, 1997.
- [5] T. Miura, T. Takahashi, M. Kobayashi: "Accurate Q-Factor evaluation by resonance curve area method and it's application to the cavity perturbation", *IEICE Transactions on Electronics*, vol. E77-C, No. 6, pp. 900-907, June 1994.
- [6] M.C. Sanchez, E. Martin, J.M. Zamarró: "Unified and simplified treatment of techniques for characterising transmission, reflection, or absorption resonators", *IEE Proceedings*, vol. 137, Pt. H, No. 4, August 1990.
- [7] M.C. Sanchez et al: "New method for the measurement of coupling coefficients of transmission cavities", *IEE Proceedings*, vol. 134, Pt. H, No. 1, February 1987.
- [8] Z. Ma: "RF properties of high temperature superconducting materials", *PhD thesis, G.L. Report No. 5298, Edward L. Ginzton Laboratory, Stanford University*, May 1995.
- [9] D. Kajfez: "Linear fractional curve fitting for measurement of high Q factors", *IEEE Transactions on Microwave Theory and Techniques*, vol. 42, No. 7, pp. 1149-1153, 1994.
- [10] A.L. Luiten, A.G. Mann, D.G. Blair: "High-resolution measurement of the temperature-dependence of the Q, coupling and resonant frequency of a microwave resonator", *Measurement Science and Technology*, vol. 7, No. 6, pp. 949, 1996.
- [11] A.P.S Khanna, Y. Garault: "Determination of loaded, unloaded, and external quality factors of a dielectric resonator coupled to a microstripline", *IEEE Transactions on Microwave Theory and Techniques*, vol. MTT-31, pp. 261-264, March 1983.
- [12] J.E. Aitken: 'Swept-frequency microwave Q-factor measurements with network analyser', *IEE Proceedings*, vol. 123, pp. 855-862, 1976.
- [13] K. Leong: "Precise measurements of surface resistance of HTS thin films using a novel method of Q-factor computations for Sapphire Dielectric resonators in the transmission mode", *Ph. D. thesis, James Cook University*, 2000.
- [14] K. Leong and J. Mazierska: "Accurate Measurements of Surface Resistance of HTS Films using a Novel Transmission Mode Q-factor Technique" *Journal of Superconductivity*, vol. 14, No. 1, pp. 93-103, 2001.
- [15] K. Leong, J. Mazierska: "Precise Measurements of the Q-factor of Transmission Mode Dielectric Resonators: Accounting for Noise, Crosstalk, Coupling Loss and Reactance, and Uncalibrated Transmission Lines", accepted to *IEEE Transactions on Microwave Theory and Techniques* for September 2002.