



VU Research Portal

Relativistic and QED Effects in the Fundamental Vibration of T2

Madhu Trivikram, T.; Schlösser, M.; Ubachs, W.; Salumbides, E. J.

published in

Physical Review Letters
2018

DOI (link to publisher)

[10.1103/PhysRevLett.120.163002](https://doi.org/10.1103/PhysRevLett.120.163002)

document version

Publisher's PDF, also known as Version of record

document license

Article 25fa Dutch Copyright Act

[Link to publication in VU Research Portal](#)

citation for published version (APA)

Madhu Trivikram, T., Schlösser, M., Ubachs, W., & Salumbides, E. J. (2018). Relativistic and QED Effects in the Fundamental Vibration of T2. *Physical Review Letters*, 120(16), 1-5. [163002].
<https://doi.org/10.1103/PhysRevLett.120.163002>

General rights

Copyright and moral rights for the publications made accessible in the public portal are retained by the authors and/or other copyright owners and it is a condition of accessing publications that users recognise and abide by the legal requirements associated with these rights.

- Users may download and print one copy of any publication from the public portal for the purpose of private study or research.
- You may not further distribute the material or use it for any profit-making activity or commercial gain
- You may freely distribute the URL identifying the publication in the public portal ?

Take down policy

If you believe that this document breaches copyright please contact us providing details, and we will remove access to the work immediately and investigate your claim.

E-mail address:

vuresearchportal.ub@vu.nl

Relativistic and QED Effects in the Fundamental Vibration of T₂T. Madhu Trivikram,¹ M. Schlösser,² W. Ubachs,¹ and E. J. Salumbides^{1,*}¹*Department of Physics and Astronomy, LaserLaB, Vrije Universiteit Amsterdam, De Boelelaan 1081, 1081 HV Amsterdam, The Netherlands*²*Tritium Laboratory Karlsruhe, Institute of Technical Physics, Karlsruhe Institute of Technology, Hermann-von-Helmholtz-Platz 1, 76344 Eggenstein-Leopoldshafen, Germany*

(Received 15 February 2018; published 16 April 2018)

The hydrogen molecule has become a test ground for quantum electrodynamical calculations in molecules. Expanding beyond studies on stable hydrogenic species to the heavier radioactive tritium-bearing molecules, we report on a measurement of the fundamental T₂ vibrational splitting ($v = 0 \rightarrow 1$) for $J = 0-5$ rotational levels. Precision frequency metrology is performed with high-resolution coherent anti-Stokes Raman spectroscopy at an experimental uncertainty of 10–12 MHz, where sub-Doppler saturation features are exploited for the strongest transition. The achieved accuracy corresponds to a 50-fold improvement over a previous measurement, and it allows for the extraction of relativistic and QED contributions to T₂ transition energies.

DOI: [10.1103/PhysRevLett.120.163002](https://doi.org/10.1103/PhysRevLett.120.163002)

Molecular hydrogen is a quintessential system in the development of quantum chemistry, and it has emerged as a benchmark for testing relativistic quantum electrodynamics (QED) in simple bound systems. The accurate measurement of the dissociation energy of the H₂ molecule [1], the measurement of its fundamental vibrational splitting [2], as well as the accurate frequency calibration of very weak quadrupole overtone transitions [3–5], have been accompanied by ever increasing first principles calculations [6–8]. The comparisons between accurate theoretical and experimental values have spurred interpretations in fundamental physics, such as contributions from hypothetical fifth forces in the binding of the molecule [9] as well as constraining the compactification lengths of extra dimensions [10]. The various contributions to the binding energies in the hydrogen molecule, in particular the adiabatic and nonadiabatic corrections [11] to the Born-Oppenheimer energies, and to a more subtle extent the relativistic and QED contributions [12], depend on the masses of the nuclei. The mass dependency of the corrections are accentuated in the lightest hydrogenic molecular system, and the spectroscopic precision tests were extended to other hydrogen isotopologues. Measurements of the dissociation energy [13] and the quadrupole infrared spectrum [14,15] were extended to the D₂ isotopologue, while the mixed HD stable isotopomer was targeted in studies of the dissociation limit [16] and the near infrared spectrum [17]. For performing comparisons with QED calculations, the latter were performed for HD as well to high accuracy [18].

In contrast, there is a paucity of high-accuracy investigations on the radioactive tritium-bearing species of molecular hydrogen, such that relativistic and QED effects are entirely untested for the tritiated isotopologues. Tritium,

containing two neutrons in addition to the charge-carrying proton, is unstable, with a half-life of about 12 years, and it undergoes beta decay as the nucleus transmutes from ³H to ³He. Handling tritium in a typical spectroscopy laboratory is heavily restricted to minute amounts, thus ruling out the use of molecular beam techniques, while cavity-enhanced techniques face severe difficulty in material degradation with tritium exposure. Examples of the few gas-phase experiments on *T*-bearing hydrogen molecules include spontaneous Raman spectroscopy on T₂ [19,20] and optoacoustic spectroscopy of the fundamental and overtone bands in HT [21], performed with sample pressures of a few hundred mbar. Here, we perform precision tests on T₂, the heaviest molecular hydrogen species, by employing coherent anti-Stokes Raman spectroscopy (CARS). CARS offers excellent sensitivity and has been previously applied to H₂ at 100 mbars [22], while a related Raman technique has been applied to D₂ at 2 mbars pressure [23]. We have recently demonstrated the feasibility of precision measurements in a gas cell containing T₂ at 2.5 mbars [24]. In this Letter, we present results with a 50-fold increase in precision, obtained by the use of a narrow-band Stokes laser source and improved absolute frequency calibrations. The application of ns pulsed narrow-band laser sources on the low-pressure T₂ sample has enabled the observation of narrow sub-Doppler saturation features in the CARS spectra, which is exploited to obtain higher precision for the strongest transition. Significant enhancement in the detection efficiency also allowed for the use of much lower laser intensities, leading to a more accurate treatment of ac Stark effects.

A schematic representation of the experimental setup is shown in Fig. 1. Two nearly Fourier-transformation (FT) limited laser pulses for the pump (ω_P , $\lambda = 532$ nm) and

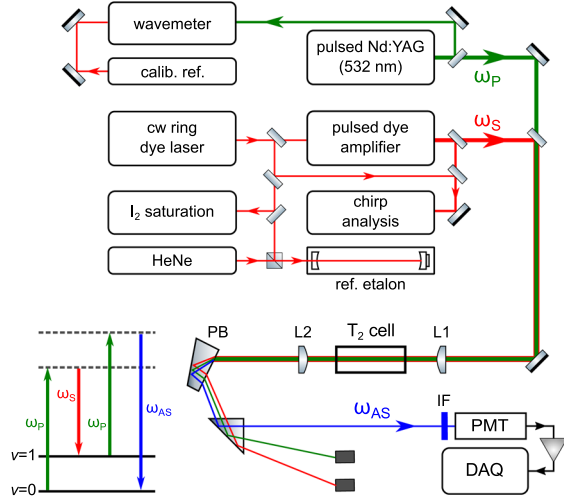


FIG. 1. Schematic of the high-resolution CARS setup. The narrow-band pump (ω_p) and Stokes (ω_s) laser beams are collinearly aligned in a sample cell containing 2.5 mbar of T_2 . The generated anti-Stokes (ω_{AS}) radiation is spatially dispersed using prisms, passed through an optical interference filter (IF), detected using a photomultiplier tube (PMT) and recorded (DAQ). A diagram for the CARS frequency-mixing process is shown on the lower left.

Stokes (ω_s , $\lambda = 612$ nm) beams are temporally and spatially overlapped and focused with a $f = 20$ cm lens (L1) in the tritium gas cell. The nonlinear frequency mixing (scheme represented in the lower left corner of Fig. 1) produces an anti-Stokes coherent beam at $\omega_{AS} = 2\omega_p - \omega_s$ corresponding to $\lambda = 470$ nm, which is collimated (L2: $f = 10$ cm) and dispersed using prisms, passed through an optical filter (IF), and finally detected using a photomultiplier tube (PMT). The pump beam (pulse width: 8 ns; FT-limit: 55 MHz) is the output of an injection-seeded and frequency-doubled Nd:YAG laser, while the Stokes radiation (pulse width: 6 ns; FT-limit: 74 MHz) is produced using a narrow-band pulsed dye amplifier (PDA) system [25], which is seeded by a continuous-wave (CW) ring dye laser, and pumped by a different injection-seeded Nd:YAG laser. The 4 cm³ gas cell contains 2.5 mbars of mixed molecular hydrogen isotopologues with 93% T_2 , prepared at the Tritium Laboratory Karlsruhe, and transported to LaserLaB Amsterdam [24].

The high-resolution CARS spectra are recorded for six $Q(J)$ rotational lines (for $J = 0-5$) of the $X^1\Sigma_g^+$ fundamental ($v = 0 \rightarrow 1$) vibrational band. A typical recording of the $Q(0)$ Raman transition, which is the weakest among the detected lines, is shown in Fig. 2. The CW-seed frequency for the ω_s radiation is calibrated in the scanning mode using transmission markers of a HeNe-stabilized etalon [free spectral range $\nu_{FSR} = 150.33(1)$ MHz] in combination with a reference spectrum provided from saturation I_2 spectroscopy [26]. A temporal and spatial CW-pulse frequency offset may be induced by intensity-dependent frequency chirp

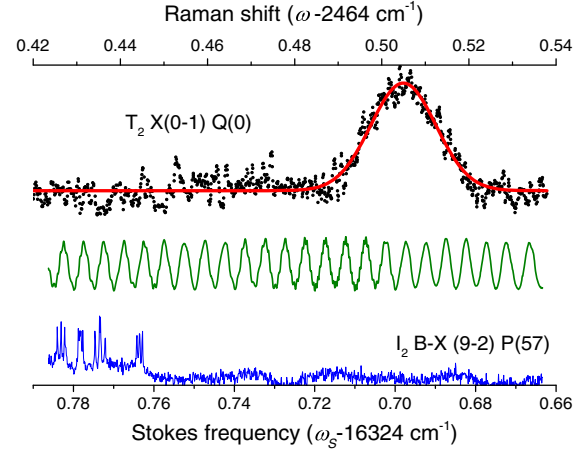


FIG. 2. A spectral recording of the $Q(0)$ line of the $X^1\Sigma_g^+(0-1)$ Raman band, probed at peak intensities of 9 GW/cm² for both lasers, and plotted with respect to the Stokes frequency ω_s (lower frequency axis) and the Raman shift ω (upper axis). The solid red line through the T_2 data points is a Gaussian fit, while the transmission of the stabilized etalon and saturated I_2 spectrum are plotted below the spectrum for the relative and absolute frequency calibrations for ω_s , respectively.

effects in the pulsed-dye amplification [25,27,28], which is measured and corrected for in the data analysis [29]. The frequency of the ω_p pulse is monitored online using a high-resolution wavelength meter (High Finesse Ångstrom WSU-30) that is periodically calibrated against several absolute frequency standards in our laboratory, including calibrations against a Cs standard via an optical frequency comb laser. The Raman shift ω is deduced from the simultaneous frequency calibration of both incident lasers at frequencies ω_p and ω_s , respectively.

The spectral lines are typically broadened by the ac Stark effect, as shown in Fig. 3, depending on the pulse intensities of the incident pump I_p and Stokes I_s laser beams, respectively. The smallest peak in Fig. 3(a) was recorded with intensities of $I_p = 6$ and $I_s = 1.5$ GW/cm², and it has a full-width half-maximum (FWHM) of 420 MHz. This approaches the expected linewidth limit from the convolution of the Doppler width (370 MHz) with the instrumental bandwidths of both laser beams (75 MHz). At sufficiently high pulse intensities (> 30 GW/cm²), sub-Doppler CARS saturation dips [22,23] are observed as shown in panel (b) of Fig. 3. These saturation profiles were fitted with the composite function,

$$y_{\text{sat}}(\omega) = A_0 + A_{\text{Dopp}} \exp \left\{ - \left(\frac{\omega - \omega_{\text{Dopp}}}{\Delta\omega_{\text{Dopp}}} \right)^2 \right\} - A_{\text{sub}} \exp \left\{ - \left(\frac{\omega - \omega_{\text{sub}}}{\Delta\omega_{\text{sub}}} \right)^2 \right\},$$

to obtain the line positions $\omega_{(\cdot)}$, linewidths $\Delta\omega_{(\cdot)}$, and amplitudes $A_{(\cdot)}$, indicated by subscripts (Dopp) and (sub)

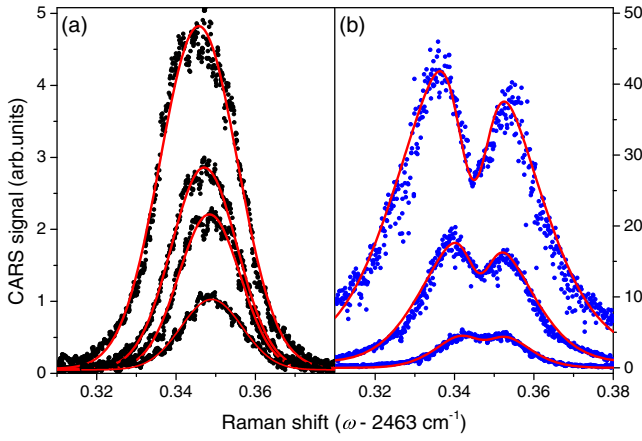


FIG. 3. Recorded CARS spectra of the $Q(1)$ line profiles at various ω_p and ω_s laser intensities illustrating the ac Stark effect. (a) At low intensities, symmetric profiles are observed that approach towards the instrument- and Doppler-limited bandwidth, with the lowest intensity in (a) at $(I_p + I_s) = 6 \text{ GW/cm}^2$. (b) At sufficiently high intensities, sub-Doppler saturation dips are observed, with the highest intensity in (b) at $(I_p + I_s) = 125 \text{ GW/cm}^2$. The amplitude scale is identical for both panels (a) and (b).

for the Doppler-broadened profile and sub-Doppler features, respectively. The lowest intensity scan in Fig. 3(b) shows a resolved sub-Doppler dip with a FWHM linewidth that is four times smaller than the Doppler-limited width and approaches the instrument bandwidth.

The ac Stark shift for the $Q(1)$ transition is plotted in Fig. 4 as a function of total intensity, $I_p + I_s$, of both the pump and Stokes beams, respectively. Because of the similar polarizabilities at $\lambda_p = 532 \text{ nm}$ and $\lambda_s = 612 \text{ nm}$ for both the $v = 0$ and $v = 1$ levels for molecular hydrogen [30], a treatment of the ac Stark dependence on total intensity was performed. The ac Stark analysis includes the line centers of the Doppler-limited (unsaturated) profiles and sub-Doppler saturation dips, and the true field-free Raman line positions are obtained by extrapolating to zero total intensity. The $Q(1)$ linewidths are plotted in the inset of Fig. 4 for the Doppler-limited profiles and the saturated sub-Doppler dips, showing the potential of improved line center determinations for the narrow saturation features. Because of the lower signal to noise ratio for the other $Q(J)$ lines, sub-Doppler studies were only performed for the $Q(1)$ transition. Collisional shifts in molecular hydrogen have been investigated in CARS studies [31] and are at the level of $\leq 0.1 \text{ MHz}$ at pressures of 2.5 mbars, and they can be safely ignored for T_2 . The uncertainty contributions, summarized in Table I, lead to a final uncertainty of 12 MHz or $4 \times 10^{-4} \text{ cm}^{-1}$ for $Q(J = 0, 2-5)$ lines. The slightly smaller uncertainty of 10 MHz for $Q(1)$ reflects the use of sub-Doppler features in the ac Stark analysis and better statistics, due to more measurements performed on this line, for the systematic shift assessment. The statistics

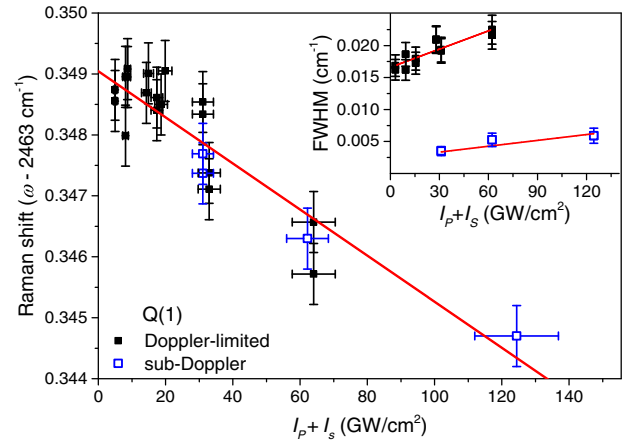


FIG. 4. The extrapolation to the field-free Raman shift for the $Q(1)$ line measured at different intensities. The solid black squares are obtained from Doppler-broadened spectra, while the unfilled blue squares are obtained from the sub-Doppler features in saturated CARS spectra. The red line is a fit of the combined data sets. The inset shows the FWHM linewidths, where the sub-Doppler features (solid black squares) are up to four times narrower than those for the Doppler-limited spectra (unfilled blue squares).

entry in Table I indicates the reproducibility of measurements performed on different days.

The $Q(J)$ transition energies for $J = 0-5$ are listed in the second column of Table II. The present results are in agreement with our preliminary study [24], but they represent an improvement in accuracy of 50 times. The measurements here are also 250 times more precise than all other previous investigations in T_2 , e.g., in Ref. [20]. The $Q(J)$ results of the present study are in agreement with the calculations in Ref. [32] with the partial treatment of relativistic and radiative effects, with a claimed accuracy of 0.02 cm^{-1} . Calculations of the rotationless vibrational splitting $Q(0)$, which includes relativistic corrections [33] and leading-order QED estimates [34] are also consistent with the present determination to within 0.01 cm^{-1} .

The nonrelativistic energies, E_{nonrel} , of the quantum levels in the ground electronic state are now calculated

TABLE I. Systematic and statistical contributions to the frequency uncertainties in the fundamental vibrational Raman shifts in T_2 . Values are given in MHz.

Contribution	$Q(J \neq 1)$	$Q(1)$
Pump (ω_p) calibration	6	6
Stokes (ω_s) CW calibration	2	2
Stokes CW-pulse chirp correction	5	5
ac Stark analysis	7	4
Collisional shift	<1	<1
Statistics	7	5
Combined (1σ)	12	10

TABLE II. Fundamental vibrational splittings of the $Q(J)$ transitions in T_2 obtained in this study are listed in the second column. The relativistic and QED energy contributions, $E_{\text{rel+QED}}$, to the transition energies extracted from this experiment, are listed in the last column, and the nonrelativistic energy E_{nonrel} calculations in Ref. [11] are given in the third column. The values are given in cm^{-1} , with uncertainties in between parentheses.

Line	This experiment	E_{nonrel} [11]	$E_{\text{rel+QED}}$
$Q(0)$	2 464.5052 (4)	2 464.5021	-0.0031 (4)
$Q(1)$	2 463.3494 (3)	2 463.3463	-0.0031 (3)
$Q(2)$	2 461.0388 (4)	2 461.0372	-0.0016 (4)
$Q(3)$	2 457.5803 (4)	2 457.5795	-0.0008 (4)
$Q(4)$	2 452.9817 (4)	2 452.9803	-0.0014 (4)
$Q(5)$	2 447.2510 (4)	2 447.2492	-0.0017 (4)

to an accuracy at the level of 10^{-7} cm^{-1} (or kHz-level) for H_2 , D_2 , and T_2 [8,11]. Current efforts in first-principle calculations target higher-order relativistic and QED contributions $E_{\text{rel+QED}}$, including recoil corrections [6–8], and they have recently been extended to the ma^6 -order [35]. The evaluation of mass-dependent relativistic nuclear recoil corrections currently dominate the systematic uncertainty of the *ab initio* energies [12]. However, the $E_{\text{rel+QED}}$ contributions to the level energies of T_2 have not been calculated to date. Our measurement accuracy allows for the extraction of $E_{\text{rel+QED}}$ contributions for T_2 , given in Table II, with the use of nonrelativistic level energies E_{nonrel} from Ref. [11], which may be considered exact for this derivation.

The extracted $E_{\text{rel+QED}}$ contributions for T_2 are plotted in the lower panel of Fig. 5. The analogous contributions of

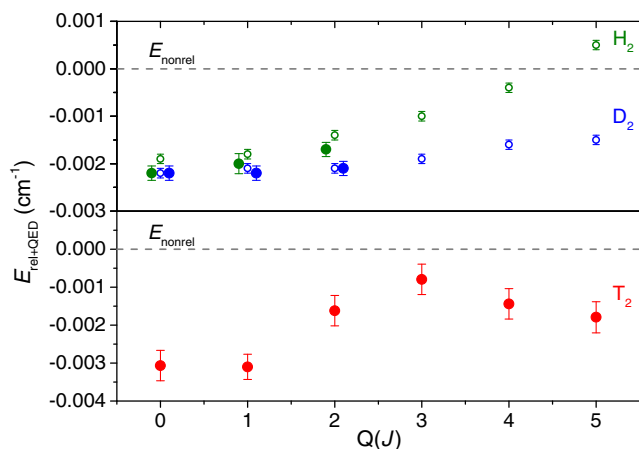


FIG. 5. Relativistic and QED contributions to T_2 , ($v = 0 \rightarrow 1$), $Q(J)$ transition energies, extracted from the present measurements and nonrelativistic calculations in Ref. [11], are shown in the lower panel. The analogous experimentally-derived $E_{\text{rel+QED}}$ contributions for H_2 and D_2 from Ref. [2,36] are shown in the upper panel, indicated by solid circles and slightly shifted horizontally for clarity. For H_2 and D_2 , these can be compared to the full *ab initio* calculations [7], indicated by unfilled circles in the upper panel.

H_2 and D_2 using the $Q(J = 0-2)$ transitions from molecular beam measurements in Refs. [2,36] are plotted in the upper panel. These experimentally-derived H_2 and D_2 $E_{\text{rel+QED}}$ contributions can be compared to the direct *ab initio* calculations [7], but corresponding *ab initio* calculations for T_2 are yet to be carried out. The relativistic and QED contributions to the T_2 transitions measured can be larger than those for H_2 and D_2 , presumably due to the suppression of mass-dependent higher-order terms that scale with the inverse of the reduced mass [6,7].

In summary, we have determined $Q(J = 0-5)$ transition energies of the fundamental band of T_2 with a 50-fold improvement in precision over our preliminary study [24] and a 250-times accuracy improvement over all other previous investigations. The extracted relativistic and QED energy contributions for T_2 pose a challenge to high-accuracy calculations that has yet to be pursued. Access to the tritium-bearing isotopologues (T_2 , HT , DT) doubles the number of the benchmark hydrogen molecule specimens, and this greatly expands opportunities for fundamental tests. Studies using the heavier tritiated species may be useful in disentangling correlations between various mass-dependent effects that currently limit the calculation uncertainty in molecular hydrogen [12]. Furthermore, comparisons of experimental and theoretical determinations of transition energies in molecular hydrogen can be used to constrain hypothetical fifth forces [9], where the heavier T_2 may inherently lead to nine times enhanced sensitivity relative to H_2 .

Future progress in the spectroscopy of molecular tritium holds the promise of a determination of the triton charge radius, which is poorly known at present [37]. This would be of great relevance towards the resolution of the proton size puzzle [38,39], where analogous measurements of the deuteron size [40] have been performed to shed light on the issue. Advancing our understanding of QED through the spectroscopy of tritium-bearing molecular hydrogen may pave the way towards precision studies of nuclear structure.

We would like to acknowledge Meissa Diouf, Adonis Flores, and Cunfeng Cheng for assistance during the measurements, and Rob Kortekaas for technical support. We thank Tobias Falke, David Hillesheimer, Stefan Welte, and Jürgen Wendel of TLK for the preparation and handling of the tritium cell. W. U. thanks the European Research Council for an ERC-Advanced Grant (No. 670168). The research leading to these results has received funding from LASERLAB-EUROPE (Grant agreement No. 654148, European Union’s Horizon 2020 research and innovation programme).

*e.j.salumbides@vu.nl

[1] J. Liu, E. J. Salumbides, U. Hollenstein, J. C. J. Koelemeij, K. S. E. Eikema, W. Ubachs, and F. Merkt, *J. Chem. Phys.* **130**, 174306 (2009).

- [2] G. D. Dickenson, M. L. Niu, E. J. Salumbides, J. Komasa, K. S. E. Eikema, K. Pachucki, and W. Ubachs, *Phys. Rev. Lett.* **110**, 193601 (2013).
- [3] A. Campargue, S. Kassi, K. Pachucki, and J. Komasa, *Phys. Chem. Chem. Phys.* **14**, 802 (2012).
- [4] S. Kassi and A. Campargue, *J. Mol. Spectrosc.* **300**, 55 (2014).
- [5] C.-F. Cheng, Y. R. Sun, H. Pan, J. Wang, A.-W. Liu, A. Campargue, and S.-M. Hu, *Phys. Rev. A* **85**, 024501 (2012).
- [6] K. Piszczatowski, G. Łach, M. Przybytek, J. Komasa, K. Pachucki, and B. Jeziorski, *J. Chem. Theory Comput.* **5**, 3039 (2009).
- [7] J. Komasa, K. Piszczatowski, G. Łach, M. Przybytek, B. Jeziorski, and K. Pachucki, *J. Chem. Theory Comput.* **7**, 3105 (2011).
- [8] K. Pachucki and J. Komasa, *J. Chem. Phys.* **144**, 164306 (2016).
- [9] E. J. Salumbides, J. C. J. Koelemeij, J. Komasa, K. Pachucki, K. S. E. Eikema, and W. Ubachs, *Phys. Rev. D* **87**, 112008 (2013).
- [10] E. J. Salumbides, A. N. Schellekens, B. Gato-Rivera, and W. Ubachs, *New J. Phys.* **17**, 033015 (2015).
- [11] K. Pachucki and J. Komasa, *J. Chem. Phys.* **143**, 034111 (2015).
- [12] M. Puchalski, J. Komasa, and K. Pachucki, *Phys. Rev. A* **95**, 052506 (2017).
- [13] J. Liu, D. Sprecher, C. Jungen, W. Ubachs, and F. Merkt, *J. Chem. Phys.* **132**, 154301 (2010).
- [14] P. Maddaloni, P. Malara, E. D. Tommasi, M. D. Rosa, I. Ricciardi, G. Gagliardi, F. Tamassia, G. D. Lonardo, and P. D. Natale, *J. Chem. Phys.* **133**, 154317 (2010).
- [15] S. Kassi, A. Campargue, K. Pachucki, and J. Komasa, *J. Chem. Phys.* **136**, 184309 (2012).
- [16] D. Sprecher, J. Liu, C. Jungen, W. Ubachs, and F. Merkt, *J. Chem. Phys.* **133**, 111102 (2010).
- [17] S. Kassi and A. Campargue, *J. Mol. Spectrosc.* **267**, 36 (2011).
- [18] K. Pachucki and J. Komasa, *Phys. Chem. Chem. Phys.* **12**, 9188 (2010).
- [19] H. G. M. Edwards, D. A. Long, and H. R. Mansour, *J. Chem. Soc., Faraday Trans. 2* **74**, 1203 (1978).
- [20] D. Veirs and G. Rosenblatt, *J. Mol. Spectrosc.* **121**, 401 (1987).
- [21] M.-C. Chuang and R. N. Zare, *J. Mol. Spectrosc.* **121**, 380 (1987).
- [22] R. P. Lucht and R. L. Farrow, *J. Opt. Soc. Am. B* **6**, 2313 (1989).
- [23] A. Owyong and P. Esherick, *Opt. Lett.* **5**, 421 (1980).
- [24] M. Schlösser, X. Zhao, M. T. Trivikram, W. Ubachs, and E. J. Salumbides, *J. Phys. B* **50**, 214004 (2017).
- [25] K. S. E. Eikema, W. Ubachs, W. Vassen, and W. Hogervorst, *Phys. Rev. A* **55**, 1866 (1997).
- [26] S. Xu, R. van Dierendonck, W. Hogervorst, and W. Ubachs, *J. Mol. Spectrosc.* **201**, 256 (2000).
- [27] M. S. Fee, K. Danzmann, and S. Chu, *Phys. Rev. A* **45**, 4911 (1992).
- [28] S. Gangopadhyay, N. Melikechi, and E. E. Eyler, *J. Opt. Soc. Am. B* **11**, 231 (1994).
- [29] S. Hannemann, E. J. Salumbides, S. Witte, R. T. Zinkstok, E. J. van Duijn, K. S. E. Eikema, and W. Ubachs, *Phys. Rev. A* **74**, 062514 (2006).
- [30] M. J. Dyer and W. K. Bischel, *Phys. Rev. A* **44**, 3138 (1991).
- [31] L. A. Rahn and G. J. Rosasco, *Phys. Rev. A* **41**, 3698 (1990).
- [32] C. Schwartz and R. J. Le Roy, *J. Mol. Spectrosc.* **121**, 420 (1987).
- [33] M. Stanke and L. Adamowicz, *J. Chem. Phys.* **141**, 154302 (2014).
- [34] L. Wolniewicz, *J. Chem. Phys.* **99**, 1851 (1993).
- [35] M. Puchalski, J. Komasa, P. Czachorowski, and K. Pachucki, *Phys. Rev. Lett.* **117**, 263002 (2016).
- [36] M. L. Niu, E. J. Salumbides, G. D. Dickenson, K. S. E. Eikema, and W. Ubachs, *J. Mol. Spectrosc.* **300**, 44 (2014).
- [37] I. Angeli and K. P. Marinova, *At. Data Nucl. Data Tables* **99**, 69 (2013).
- [38] R. Pohl *et al.*, *Nature (London)* **466**, 213 (2010).
- [39] A. Antognini *et al.*, *Science* **339**, 417 (2013).
- [40] R. Pohl *et al.*, *Science* **353**, 669 (2016).