

Association for Information Systems

## AIS Electronic Library (AISeL)

---

ICEB 2008 Proceedings

International Conference on Electronic Business  
(ICEB)

---

Fall 9-30-2008

### A SCADA System for Mobile Industry

Jung-Chin Chen

Jong-Ching Hwang

Jeng-Shyang Pan

Follow this and additional works at: <https://aisel.aisnet.org/iceb2008>

---

This material is brought to you by the International Conference on Electronic Business (ICEB) at AIS Electronic Library (AISeL). It has been accepted for inclusion in ICEB 2008 Proceedings by an authorized administrator of AIS Electronic Library (AISeL). For more information, please contact [elibrary@aisnet.org](mailto:elibrary@aisnet.org).

## A SCADA System for Mobile Industry

Jung-Chin Chen, National Kaohsiung University of Applied Sciences, Taiwan, 1096404103@cc.kuas.edu.tw

Jong-Ching Hwang, National Kaohsiung University of Applied Sciences, Taiwan, ching@mail.ee.kuas.edu.tw

Jeng-Shyang Pan, National Kaohsiung University of Applied Sciences, Taiwan, jspan@cc.kuas.edu.tw

### Abstract

Taiwanese mobile telecom industry encounters the difficult of operation and management due to the dispersing of mobile stations and telecom system in different areas. Therefore it is the important policy for mobile industry that how to draft an effective operation method and to drop the cost of management and human resource.

The aim of this research is to study the operation and management cost reduction of the mobile industry through the supervisor control and data acquisition (SCADA) system application during globalization, privatization and liberalization competition.

Results indicated that the SCADA system has been highly willing to mobile industry in the development of power supply quality and to drop the operation and management cost. Also this research aims at measuring the benefit on SCADA system and to provide decision-makers with useful operation and management strategies as reference.

**Keywords:** SCADA, TPC, CP, TP, MAC, BTS, BS, OMC, GPRS

## 1. Introduction

### 1.1 Motivation

Before 1985, the reserved capacity of Taiwan Power Company (TPC) could stably and sufficiently supply the power consumption; our government didn't lay much emphasis on the development of load management policy. It is therefore that the industries didn't pay much attention on their own power energy management procedures.

From 1985 to 1995, the rapid growth of economy as well as the prosperity of industry and commerce, which result in the increase of power consumption year by year. Besides the construction of nuclear power station and power transmission and distribution was conflict with the doubts of their safety and environmental pollution from the general public. Therefore the projects for power development were hampered by these difficulties and the power supply of on-peak hours was gradually insufficient. Thus, Taiwan government emphasize on the load management of those industries with large power consumption in this duration. There are therefore many papers and relevant reports related to load management of power energy ready for reference [1][2][3].

Recently, Taiwan government has been putting lots of effort on joining WTO and developing the operation center of Asia Pacific area. With these regards, how to open Taiwanese telecom market to be freely and internationally accessed by other communities is an important issue. However, the government owned companies deliberate our steps for performing on the international stage, since they have been criticized with low operating performance. Therefore, how to promote telecom industry efficiently and efficiently is of major interest for the government and public.

Taiwanese telecom industry encounters the difficult of operation and management due to the dispersing of mobile stations and communication system. Therefore it is the important policy that how to draft an effective management method and to drop the cost of management.

The aim of this paper is to study the operation and management cost reduction of the mobile industry and through the SCADA system application during globalization and liberalization. Yet the system can be proposed functions: prevent faults, eliminating faults fast and dropping the cost of management.

The SCADA system applies in telecom stations and mobile stations in Taiwan, the characteristics of management and operation can be proposed as follows: (1) Macro Mobile Stations (2) Multi-Task and Multi-User (3) Line/ Modem, OA- LAN stability (4) Real time control program (5) System redundant [4].

### 1.2 Characteristics and Environment of the Telecom Industry

The trends of business globalization in the late twentieth century enhance the centralization among industries and therefore form business conglomerate. In the latest survey of top-fifty business conglomerate by Common-Wealth Magazine, those industries such as consumer electronics, computer, and communication which are also known as 3C industries were all except communication on the survey lists; however, the communication manufacturing industry

which is the most protective industry in Taiwan was excluded from the survey lists.

Since the revenue of their products ranked top 10 around the world in 1985, the information of electronic industries have become the benchmarking industries in Taiwan. Besides, the potential markets arising from telecom liberalization have brought the number of information electronic industries into the R&D and manufacture of telecom products. And moreover, the widespread applications of Internet help integrate information and communication technologies. Under the trends of the above development, this research considers the managerial strategies of information electronic industry as the basis of investigating strategies of communication industry [5] [6] [7].

In Taiwan, government policies play an important role in the development of communication manufacturing industry. And those impacts can be summarized as six dimensions there are:

- (1) The monopoly of telecom service business.
- (2) Dual roles of Directorate General of Telecom as operator and supervisor.
- (3) Business managerial model determined by procuring policies of government's telecom equipment.
- (4) Deeply politic- economic involved digital switching industry.
- (5) Transmission equipment industry which is regulated by government procurement policies.
- (6) The first liberalized telephone set industry.

Taiwanese telecom operates under very different conditions from the telecommunications providers in the rest of Asia.

## 2. A SCADA Management Framework

### 2.1 The Management Strategy of the SCADA System

In recent years telecom industry has experienced an unprecedented degree of change in management, process technology, customer expectations, supplier attitudes, competitive behavior and many more aspects. Indeed all the evidence suggests that change is now a permanent feature of business environment and that companies which can adapt to this new environment are likely to gain significant competitive advantage.

Thus, using the Porter (1980) generic strategies as a simple illustration, a firm operating an unfocused, differentiated strategy might also be capable of operating a focused differentiated strategy, but not for example an unfocused, least cost strategy [11]. Some transitions between strategies will be relatively easy, others will be more difficult. Abell (1979) suggests that strategy space can be represented as comprising a number of dimensions which might be market, product or technology groups. Within each dimension a number of levels will be open to the organization depending on its strategic competences [11] [12].

Competitive advantage is commonly defined as a position attained by a business unit and perceived by its customers when it is compared with its competitors. They may be characterized as lower cost or differentiation [8] [9] [10]. Focus, which selects one or more segments of the company's advantage and tries to develop competitive advantages, such as A SCADA system. Now SCADA system applies in telecom stations and mobile stations in Taiwan, the management and operation method can be proposed as follows: (1) Centralize management (2) Disperse management (3) Hierarchical management. A SCADA system hierarchical management framework include: Central Processor (CP), Terminal Processor (TP), Monitor and Controller (MAC), Sensors and Transducer, such as: figure 1, 2 and 3.

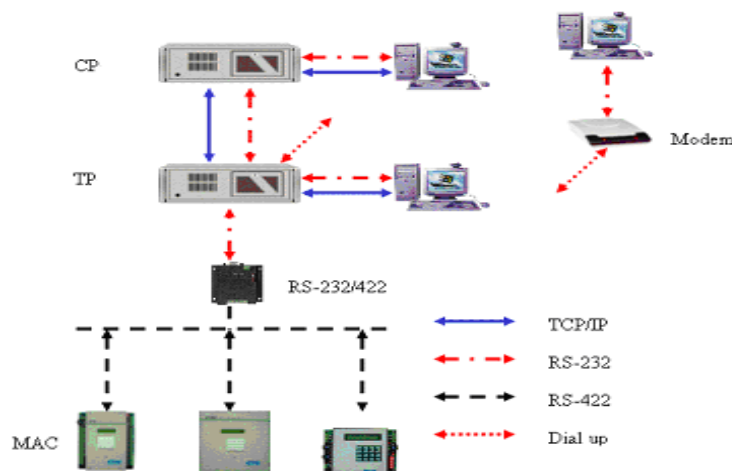
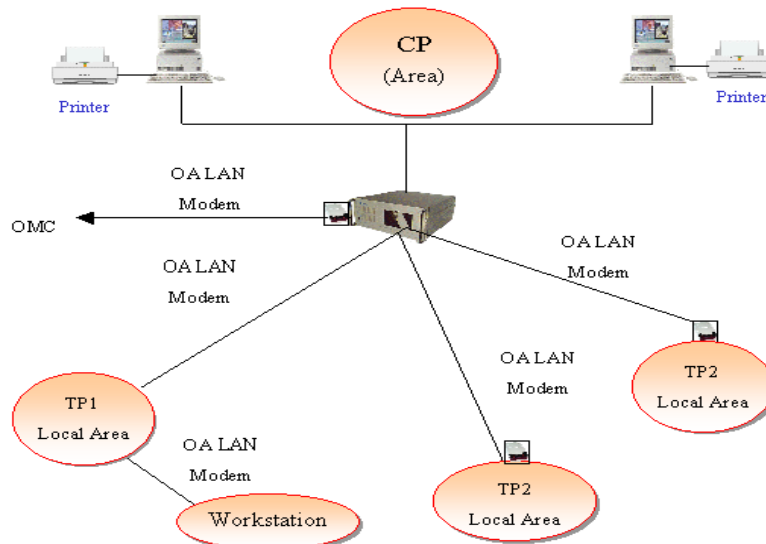
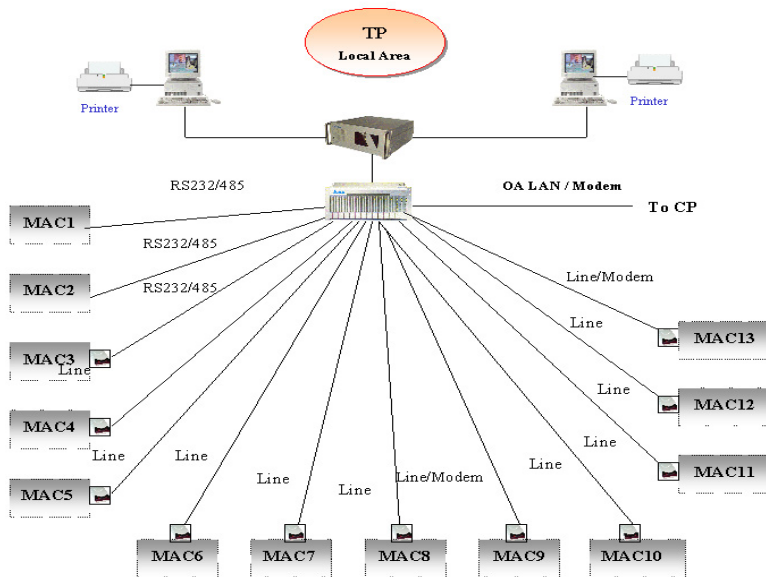


Figure 1. The Hierarchical Framework



**Figure 2. The CP Management Framework**



**Figure 3. The TP Management Framework**

## 2.2 The Equipment of Monitor and Control

Monitor And Controller (MAC) provides the interface of monitor and control in mobile station (see figure 4) [13][14].

- (a) AC source - AC current /AC voltage detect.
- (b) DC equipment - DC equipment alarm /DC voltage output.
- (c) Air condition - Air condition operating status and Temperature.
- (d) Control Entrance - Control entrance detect /Alarm detect.
- (e) Air condition control - Air condition operation /Fan / On-Off.
- (f) DC equipment - DC equipment alarm /DC voltage output.
- (g) BTS Remote Reset / High-level data link control (HDLC) Modem Loop-Back Test.

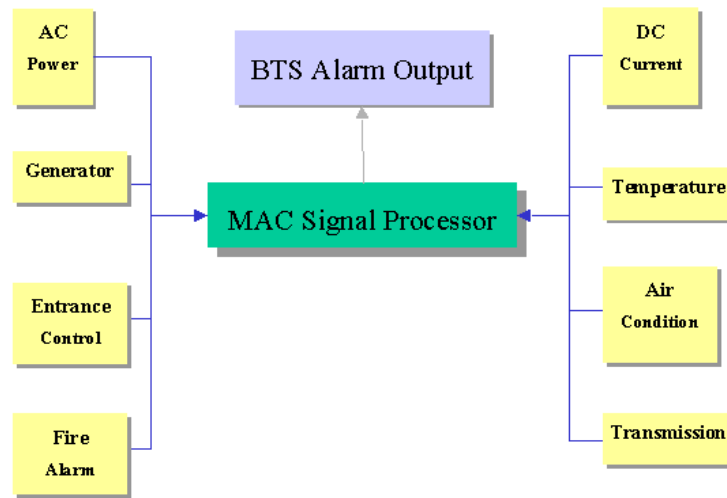


Figure 4. The Monitor and Control Equipment

### 2.3 Dialup Modem Applications in BS Transmission Network

Dialup Modem is application in Basic Station (BS) transmission network (see figure 5). The function include as follows: [13][15][16]

- (1) The messages of equipment alarm upload to Base Transceiver Station (BTS) and MAC.
- (2) Alarm messages through BTS to operator management center (OMC).
- (3) OMC through Alarm message to TP.
- (4) TP use Dial-up method to control MAC and BS.
- (5) TP use Dial-up method to collect history data period time.

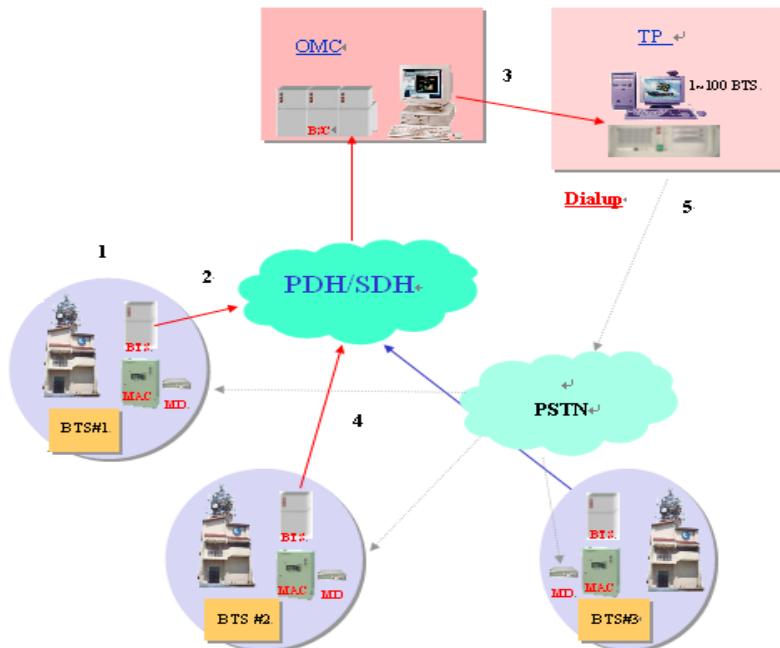


Figure 5. Dialup Modem Transmission Network

## 2.4 GPRS Application in BS Transmission Network

General Packet Radio Service (GPRS) is application in Basic Station (BS) transmission network (see figure 2.6). The function include as follows: [13][15][16]

- (1) The equipment's alarm upload to BTS and MAC
- (2) Alarm message through BTS to operator management center (OMC)
- (3) MAC received alarm message through GPRS to TP
- (4) TP use GPRS method to control MAC and BS
- (5) TP use GPRS method to collect history data during period time.

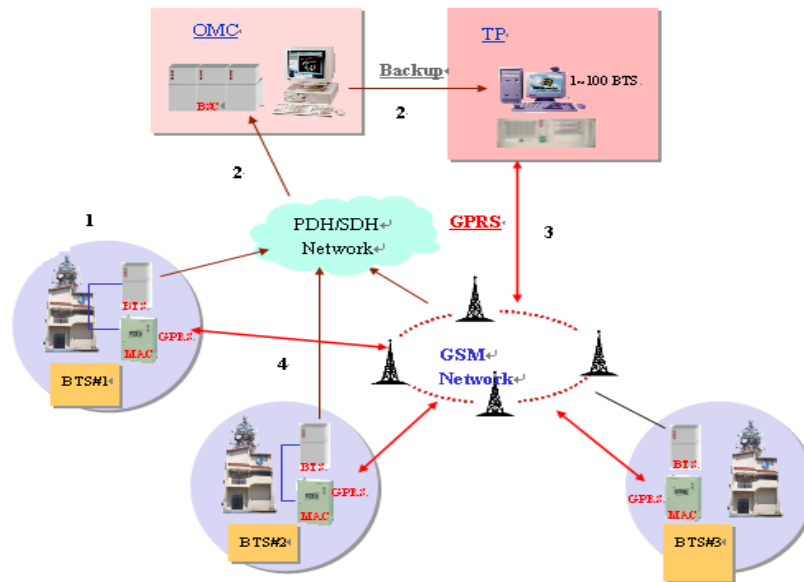


Figure 6. GPRS Transmission Network

## 3. The Affecting Factors on Management Effective in SCADA System

### 3.1 Foreword

The basic function of SCADA in telecom station and mobile station as follows:

- (1) Alarm Real-Time upload - (a) As alarm take place information OMC immediately (b) System with Real-Time monitor function.
- (2) Operating condition inquire - (a) Operator can inquire equipment condition any time (b) OMC can monitor and control remote telecom station / mobile station operating condition any time.
- (3) Auxiliary function - (a) Run basic control instructions (such as remote control) (b) According special demand to run control instructions, such as Reset (c) Remote fault remove and reduce maintenance cost.
- (4) History Database - (a) equipment and management optimization (b) equipment operating record (c) Faults and alarms statistics analysis.

### 3.2 The Analysis on Factors of Management SCADA System

After evaluating the above-mentioned information related to the SCADA system. Using Delphi method, the author has taken the items of table 1 to interview experts, workers and managers of telecom industry and recheck it. The content of the scale is based on a three-round Delphi survey of 10 experts. Finally, the author had concluded the effective measures that are divided into four management dimensions. There are equipment, training, personal and maintenance as bellows:

**Table 1. The Analysis on Management SCADA System**

Management Dimensions	Factors
Equipments	1.Network stability and Dual route
	2.Micro computer Base redundant
	3.The stability of MAC, Sensors and Transducer
Training	4.Ignore cultivation plan of worker's skills
	5.Accumulation of working experiences cannot really cultivate worker's skills
	6.Lack of cultivation organization of skill
Personal	7.Manager's concept neglect worker's skill
	8.Education and training is ignore
	9.Worker's concept with effective ideal
Maintenance	10.Understand software parameter and function
	11.Operating procedure standardization
	12.Use software with familiarity
	13.The speed on alarm of responds and inquire

### 3.3 To Draft Management Strategy in SCADA System

This section describes the information collection and system management options for the telecom industry and then the decision of management strategy in SCADA system (see table 2).

**Table 2. The Analysis of Management Strategy**

Problems	Method / Strategy
Monitor and control system stability	Draft to keep the system stability methods
Technical personnel education and training in SCADA maintenance	Technical personnel education and training
	Training on Training Institute
	Training on work
Lack of full authority by occupation, coordination and integration	There is a consensus of reducing human costs and attaching importance to worker's skills
Software parameter and function operation	Parameter setup by technical and set standard value as reference
Management and operating procedure standardization	Alarm processing procedure standardization and statistics data reports standardization

## 4. Measure the Effective on Management and Maintenance Network

### 4.1 The Analysis of Management and Maintenance Network

The section 3 has several factors analysis of management SCADA system. This paper will study and analyze the rate policy of mobile industry and also this section will discuss the effective on management and maintenance framework in SCADA system (see table 3). The competitive priority of cost is frequently considered either as a cost reduction or operational excellence strategy. The cost reduction or operational excellence strategy implies a systematic improvement of company operations without the accomplishment of radical innovations.

**Table 3. The Effective Comparison of Four Framework of Transmission**

Framework Item	Modem / Line	E1 Time Slot Sharing	BTS Node Input Modem Dial-up	BTS Node Input GPRS
Network stability	Medium	High	Medium	Medium
Modem (quantity)	N*2	N*2	N+1	N+1
Transmission equipment cost	Medium	High	Low	High
Line/ Network Maintenance cost	High	Low	Low	Low
Response time of alarm	About 5 sec	About 5 sec	About 5 sec	About 7 sec
Speed of inquire and remote control	About 5 sec	About 5 sec	30-60秒	About 7 sec
Real-Time monitor capability	Yes	Yes	No	No
System development difficulty	Medium	Medium	Low	High
Overall investment cost	High	High	Medium	High

#### 4.2 Measure the Benefit on Operation and Management in SCADA System

A SCADA system, which would provide telecom industry with guidance on:

1. The suitability of using specific competitive strategies in business environments exhibiting particular environmental characteristics;
2. The competencies required to support specific competitive strategies effectively;
3. The ability of the company to compete effectively in a number of future business environments.

Adam and Swamidass (1989) assert that “the core content of a manufacturing strategy include cost, quality, flexibility, and technology” [17].

• **Costs**

Costs, which means seeking a lower manufacturing cost. The customer expressed willingness in the SCADA system, but the installation of automatic monitor and controller need extra operation cost which therefore reduce the participation willingness from the customer. From the long-term viewpoint, this load management strategy will save electricity cost for the customer. After the explanation, the customer can accept the concept and will proceed to implement this alternative.

With the rapid growth of air conditioner load, the peak loading of customer in summer daytime period increases dramatically and the condition of peak loading in 15-minute leading demand contract becomes more serious. According to the electric price system in TPC, customers are asked to pay extra cost with respect to the portion of basic fee in the case that the peak loading is higher than the demand contract. On the other hand the inappropriate higher demand contract setting can avoid the occurrence of previous stated problem but will results another problem of higher basic electric fee payment. The basic idea of optimal demand contract strategy is to derive a better demand contract such that the annual electric basic cost can be minimized.

• **Quality**

Quality which means implies offering high quality products and services to the customers.

1. Real-time analysis & reporting
2. Providing comprehensive reports
3. Software are easily operated and well documented.
4. Options of network connection to other systems requiring our data are provided.

• **Flexibility**

Flexibility, mainly related to the innovation of products and services, product mix and production volume. A SCADA system need include: operational flexibility, control flexibility, function flexibility and information system flexibility,



etc.

1. Operator can inquire equipment condition any time.
2. Operator can monitor and control remote telecom station / mobile station operating condition any time.
3. For power monitoring, electroplating process, air conditioning equipments, burn-in room monitoring etc;
4. The Windows-based system can be used to monitor equipment performance and productivity, to diagnose system problems, and to assist maintenance personnel in monitoring alarms.

- **Technology**

The control method of load consumption is another way to reduce electric cost. The load consumption in automatic control can prevent the customer from penalty of exceeding contract capacity. It means when the power consumption climbs up to the climax, this method can get rid of unimportant load or the interruptible electricity equipment.

The rate, which Taiwan Power Company charges to the industrial customer, is the total power consumption in each month, i.e. how much is one kilowatt-hour? In addition, the added rate is defined as "how much is the power consumption climax in one month." The load control device of power consumption aims to prevent the occurrence of new climax with the hope of reducing the added rate.

Owing to the deviation factor, all electricity equipment doesn't operate at the same time. Besides the power consumption is in the status of dynamic variation due to the reasons of the boom-and-bust, season or production and sale plan. The customer has to carry out the control management of load consumption, if the purpose of the economical use on the electricity equipment is required. The monthly power consumption can be reviewed at any time to decrease the electricity cost.

## **5. Conclusions and Suggestions**

### **5.1 Conclusions**

1. Results indicated that the SCADA system has been highly willing to mobile and telecom industry in the development of power supply quality and to drop the operation and management cost.
2. It is hoped that the conclusion of this research will be adopted by the mobile industry to implement SCADA system decrease rate expenditure and to reduce human cost.
3. The mobile industry is willing to install the automatic SCADA system, although initial investment need extra cost. Also this research has provided decision-makers and leaders with useful operation and management strategies as reference.

### **5.2 Suggestions**

1. The author suggests that the further research shall focus on the equipment characteristics and the management characteristics of other industry with mass and disperse power equipment. It is also desired that a feasible useful management strategy is developed to assist the other industry customer to reduce operation and management cost and to increase the competitive capability.
2. The final suggestion is that the future research shall focus on the analysis of power consumption characteristics for the various industries with large power consumption.

## **References**

- [1] "Demand-side Management Vol.2, Evaluation of Alternatives", Prepared by Edison Electric Institute, EPRI Final Report, August 1984, EA/EM-3597.
- [2] "Standards for preparing reports of the load research committee", Association of Edison Illuminating Companies, 1980.
- [3] "Load research manual/Load Research committee", 1990 Association of Edison Illuminating Companies, Printed in the United States of America policy.
- [4] "Supervisor Control and Data Acquisition System Maintenance Book", Control-Net International INC, 2000.
- [5] The Economist (1995), "Telecommunications: the death of distance", 30 September.
- [6] Asian Wall Street Journal (1998), "Asian telecommunications", 2 June.
- [7] The Economist (1997), "Managing telecoms, Old champions, new contenders", 11 October.
- [8] The Economist (1998b), "Surviving the telecoms jungle", 4 April.

- [9] The Economist (1998a), "The end of privatization?", 13 June.
- [10] Bank of America (1996), Guide to Telecommunication in Asia, Euromoney Publications, Hong Kong, pp. 1-6.
- [11] Porter, M. (1980), Competitive Strategy, Techniques for Analysis Industries and Competitors, Free Press, New York, NY.
- [12] Abell, D.F. (1979), "Defining the business", Prentice-Hall, New York, NY.
- [13] Journal of Chunghwa Telecommunication Co., Ltd. Vol. 5, No.5, October 1991.
- [14] Nortel Technical power Seminar, 1997
- [15] "Mobile Message", Chunghwa Telecommunication Co., Ltd. Mobile Business Branch, Aug 2001.
- [16] Journal of Chunghwa Telecommunication Co., Ltd. Vol. 5, No.5, October 1991
- [17] Adam, E.E. and Swamidass, P.M. (1989), "Assessing operations management from a strategic perspective", Journal of management, Vol.15 No.2, pp181-203.