

# Control of Power and Voltage of Solar Grid Connected

Boucetta Abd Allah\*<sup>1</sup>, Labeled Djamel<sup>2</sup>

University of Constantine

25000 Ain el bey, +213661342233/+21333895075, Algeria

\*Corresponding author, e-mail: boucetta\_abdallah@yahoo.com<sup>1</sup>; djamel\_labeled@yahoo.fr<sup>2</sup>

## Abstract

Renewable energy is high on international agendas. Currently, grid-connected photovoltaic systems are a popular technology to convert solar energy into electricity. Control of power injected into the grid, maximum power point, high efficiency, and low total harmonic distortion of the currents injected into the grid are the requirements for inverter connection into the grid. Consequently, the performance of the inverters connected to the grid depends largely on the control strategy applied. In this paper the simulation and design of grid connected three phase photovoltaic system using Matlab/Simulink has examined. The proposed system consists photovoltaic panels, boost and inverter the PV system convert the sun irradiation into direct current, thereafter we have used a boost to track the maximum power point of the PV system, three-phase inverter and LC output filter. A VOC control strategy based on the phase shifting of the inverter output voltage with respect to the grid voltage. The proposed control strategy requires few hardware and computational resources. As a result, the inverter implementation is simple, and it becomes an attractive solution for low power grid connected applications.

**Keywords:** Grid-connected; Photovoltaic; Maximum power point; Matlab/Simulink; VOC

## 1. Introduction

In recent years, the use of renewable energy resources in Algeria instead of pollutant fossil fuels has increased. Photovoltaic generation is becoming increasingly important as The most important potential in Algeria is the solar energy. (however the cost is the most issue) The most important of the Mediterranean basin:

- The 169.440 TWh / year.
- 5,000 times the Algerian electricity consumption.
- 60 times the consumption of the Europe (estimated at 3,000 TWh / year) [6].

As a renewable resource and since it don't causes fuel consumption, maintenance, pollution, and emitting noise compared with other alternatives used in power applications [7]. Many countries are trying to increase the penetration of renewable energy. The US plans to reach 20% of electricity demand with solar technologies by 2030 [8].

Algeria also promised to achieve 40% power generation from renewable energy by 2030 [9].

The principal component for connecting renewable energy sources to the grid is the power electronics interface. This interface has two main functions: conversion of direct current power to alternative current power for the grid connection and extracting the maximum power from the PV modules.

When connected to a power network, the PV systems must meet stringent power quality requirements set by the utility including low total harmonic distortion (THD) and fast dynamic response [10]. In this regard, we have studied and simulated a grid-connected power system .The system is composed of PV arrays, DC/DC boost, a three level inverter, a LC filter and a three phase grid.

## 2. Power System Description

Because the photovoltaic array convert solar irradiation into dc current, the dc/dc boost aim to track maximum power point of the PV system. The three-level inverter is controlled by

hysteresis current control and LC filter is inserted to eliminate the harmonics contained in both the current and voltage of the inverter output.

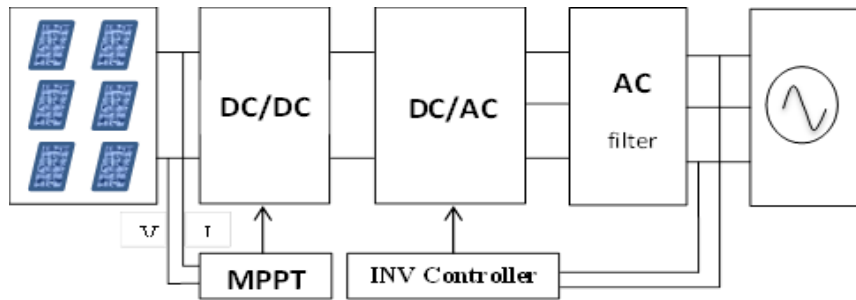


Figure 1. Diagram of grid-connected photovoltaic system with three-level inverter

**3. Modulation**

**3.1. Photovoltaic Generator Model**

The basic unit of a PV system is the solar cell. The current and power produced by an individual solar cell typically between 1 and 2 W [1]. The equivalent circuit is shown in Figure 2. It is constituted of a light generated current source, a series resistance, and a parallel diode [2]. The grouped of Photovoltaic cells produce a photovoltaic modules, which are combined in parallel and series to provide the desired output power.

When the number of cells in series is  $N_s$ , and the number of cells in parallel is  $N_p$ , the relationship between the output current and voltage is given by:

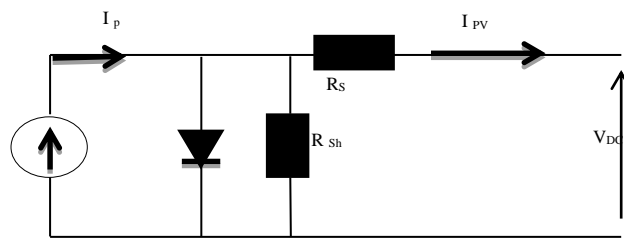


Figure 2. Circuit of a solar cell

$$I_{pv} = I_p - I_0 \left( \exp \left( \frac{V + R_s \cdot I_{pv}}{A} \right) - 1 \right) - \frac{V + R_s \cdot I_{pv}}{R_{sh}} \tag{1}$$

$$A = n \cdot K \cdot \frac{T}{q} \tag{2}$$

- $I_{pv}$ : is the photocurrent in (A)
- $I_0$ : the diode saturation current (A)
- K: the Boltzmann constant  $1.38 \times 10^{-23} JK^{-1}$
- q: the electronic charge  $1.602 \times 10^{-19} C$
- T: the cell temperature (K)
- n: the diode ideality factor

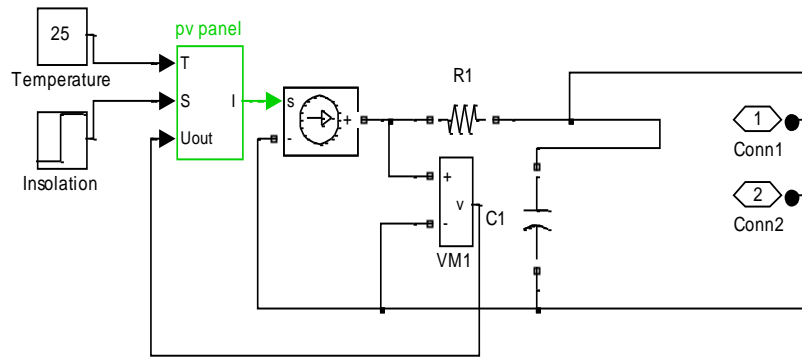


Figure 3. Simulink module of PV panel in Matlab/Simulink

**3.2. Model of the Boost DC-DC Converter**

The DC/DC converter is used to track maximum power point of the PV system. There are two hardware topologies for MPPT, one-stage and two-stage PV systems. Because it offers an additional degree of freedom in the operation of the system, we have selected the two-stage PV energy conversion system. To reduce high frequency harmonics we have connected a capacitor between PV array and the boost circuit. The configuration of the boost circuit and its control system are illustrated in figure 4. DC-DC converters boost step-up the PV voltage to the level of the allowable maximum line voltage and to the stable required DC level without storage elements.

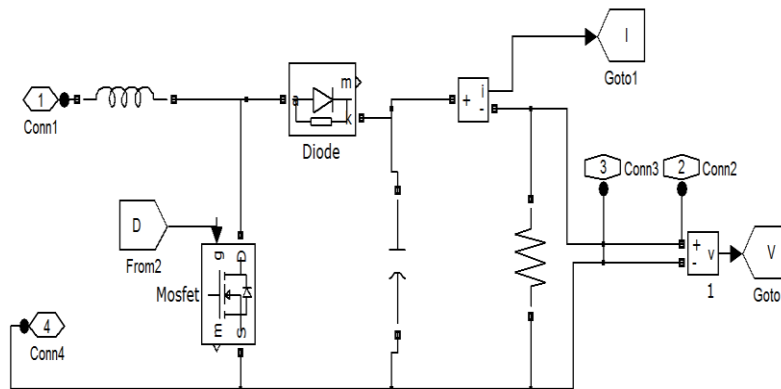


Figure 4. Simulink module of boost in Matlab/Simulink

**3.3. The Inverter**

The DC power from the PV system is converted to AC power by the inverter that we have inserted to the grid. The model for a three-phase inverter grid-connected is presented in Figure 1 which shows the power circuit of a three-phase inverter grid-connected, with IGBT switches [3]. To eliminate the harmonics contained in both current and voltage of the inverter output, an LC filter is inserted after the dc-ac inverter in order.

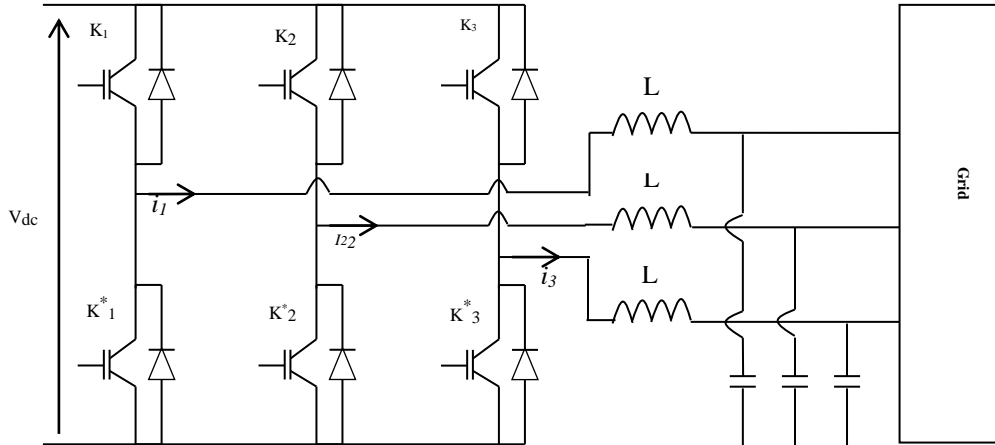


Figure 5. Schematic diagram of grid-connected three-level inverter

Among the six switches used in the topology of Figure 1, three of them are controlled independently whereas the control of the rest is interdependent [3].

The international standards such as IEEE1547, EN61000-3-2 and IEC61727 present the standards defined by the grid authorities. According to these standards, grid interactive inverter must operate at unity harmonic components of the inverter and power factor, and the output current and/or total harmonics distortion of this current (THD%) must be limited [4].

**4. Control System**

**4.1. MPPT**

The output voltage that corresponds to the maximum output power of the PV array varies with the voltage across the array, the irradiance and cell temperature .MPP tracking is the technique that adjusts the output voltage of the PV array in order to extract the maximum available power at any change in solar irradiation or cells temperature. There are a number of different approaches for (MPPT. They are the open circuit voltage method, constant voltage method, short circuit method, perturb and observe method and the incremental conductance method [5].

**4.2. Inverter Control**

Figure 5 presented the diagram of the inverter control. The objective of the control is to regulate the input power to the grid.

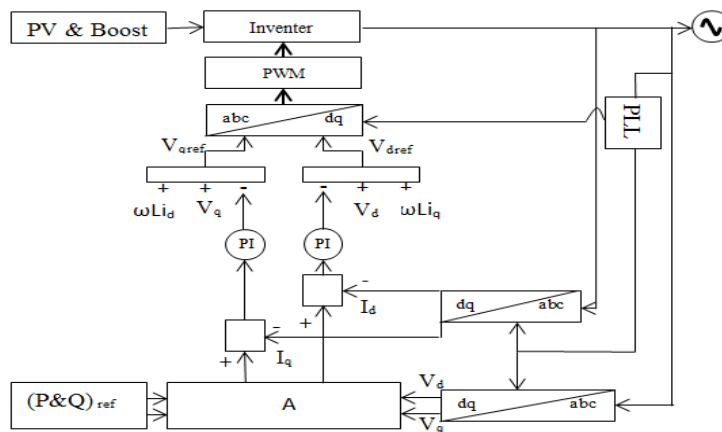


Figure 6. The block diagram of VOC with decoupling and feed forward

$$A: \begin{bmatrix} I_{d.ref} \\ I_{q.ref} \end{bmatrix} = \begin{bmatrix} V_d & V_q \\ V_q & -V_d \end{bmatrix} \begin{bmatrix} P_{ref} \\ Q_{ref} \end{bmatrix}$$

**5. Simulation results**

The Matlab/Simulink has been used for simulating the proposed control scheme with parameters as Table 1. The simulation time was set for 2.2 seconds. At the beginning of simulations, temperature and solar irradiation are supposed equal to their standard values (25oC and1000W/m2).

Table 1. Parameters of the grid-connected inverter

Parameter	Symbol	Value	Unit
Grid voltage	Vn	400	V
Grid frequency	f	50	Hz
Filter inductance	L	18	mH
Filter capacitor	C	640	mF

Figure 7 shows that from initial conditions, the output power, voltage, current of PV array and irradiation. Figure 8 shows the current, voltage and power injected to the grid. The Simulation results of the inverter output Voltage after filtering which give a total harmonic distortion (THD) 4% after filtering by the LC filter, This percentage is within the limits of 4% specified by the IEC. The frequency can be calculated yielding the value 50.20 (Hz). This value is within the limits of 50±1 specified by the IEC.

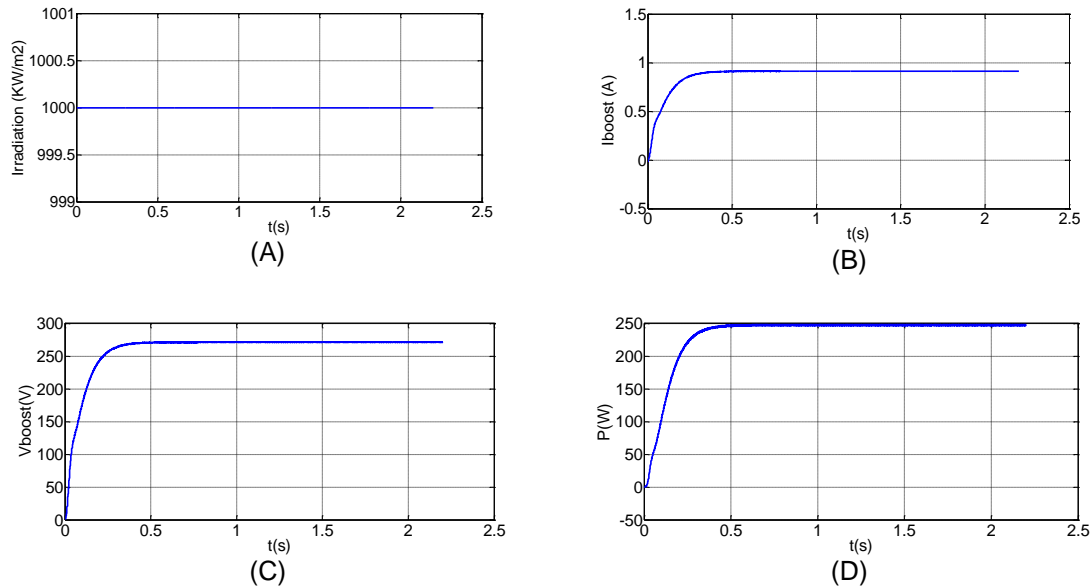


Figure 7. Irradiation PV output, current, voltage and power

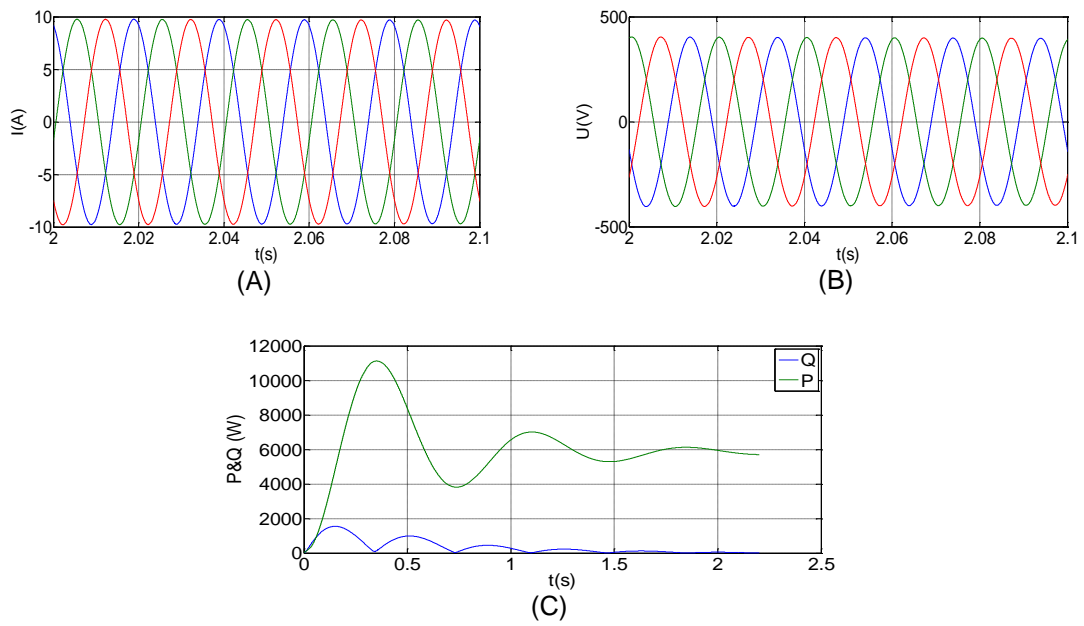


Figure 8. Current, voltage and power injected to grid

Figures 9 and 10 illustrate a simulation of a step change in solar irradiation 0 kW/m<sup>2</sup> to 1 kW/m<sup>2</sup> at time  $t = 0.5$  s. It is clearly shown that the power, voltage and current of the new MPP are rapidly reached. The proposed single stage, three-phase three-level grid connected inverter is modeled and simulated with MATLAB/Simulink.

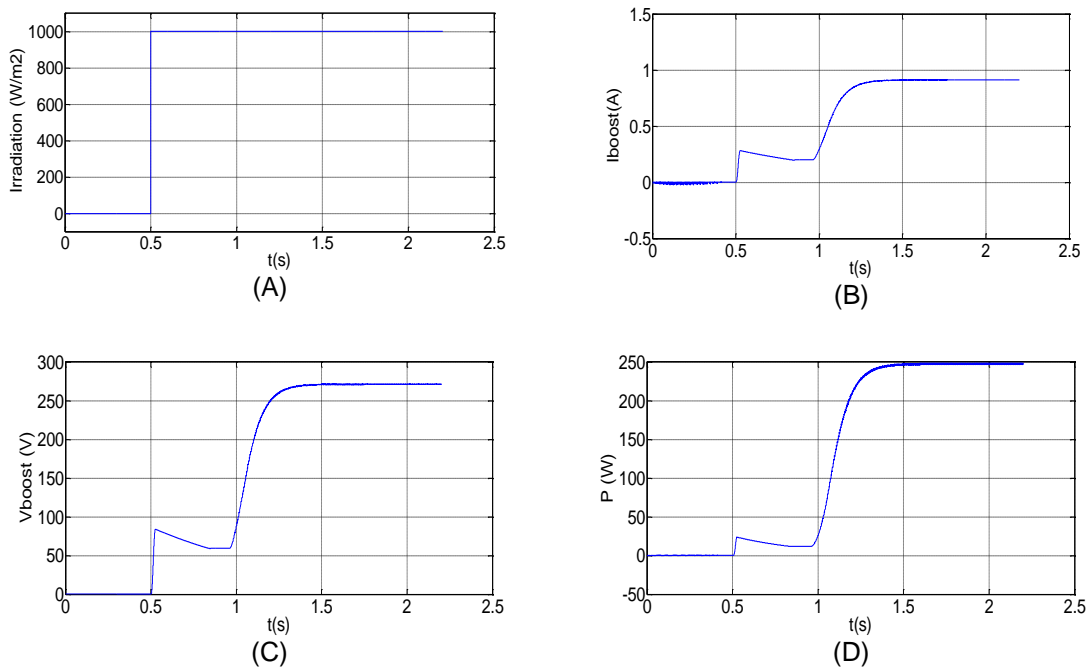


Figure 9. PV outputs behavior towards step change in solar irradiation. Irradiation, current, voltage and power

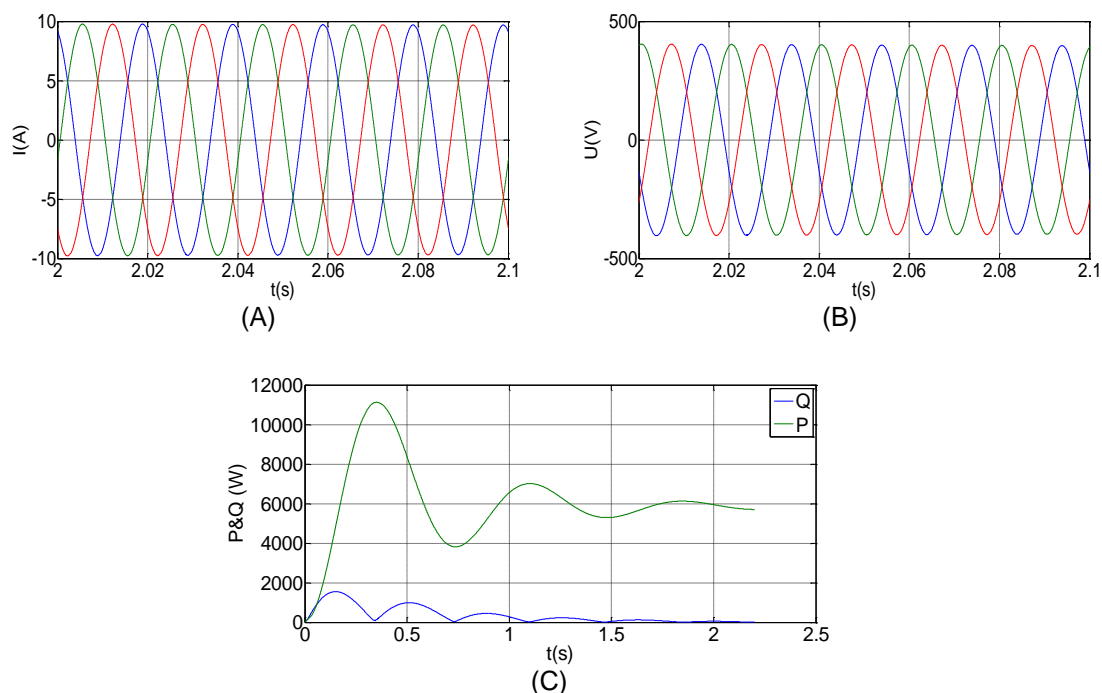


Figure 10. Current, voltage and power injected to grid after change in solar irradiation

## 6. Conclusion

To connect a photovoltaic system to grid, couple parameters have to be taking into account: the maximum power generation, control of power injected into the grid, high efficiency, and low total harmonic distortion of the currents. In this paper, the control for three-level grid-connected photovoltaic inverter has been demonstrated and simulated. Through simulation, it is observed that the system completes the maximum power point tracking, the frequency of voltage and current is within the limits specified by the IEC.

## Acknowledgements

Thank to University of Hadje Lakhder, University of Mentouri, Constantine University, University of Annaba and Ecole Polytechnique of Montreal.

## References

- [1] Miro Zeman, Photovoltaic Systems, Delft University of Technology.
- [2] Djafer Lalili  $\hat{\imath}$ , Adel Mellit 1, Nabil Lourci, Boubeker Medjahed, Chabane Boubakir. State feedback control and variable step size MPPT algorithm of three-level grid-connected photovoltaic inverter. *Solar Energy*. 2013; 98: 561–571.
- [3] Mahdi Oloumi Baygi, Reza Ghazi, Mohammad Monfared. Applying the min-projection strategy to improve the transient Performance of the three-phase grid-connected inverter. *ISA Transactions*. 2014; 53: 1131–1142.
- [4] Necmi Altin, Saban Ozdemir. Three-phase three-level grid interactive inverter with fuzzy logic based maximum power point tracking controller. *Energy Conversion and Management*. 2013; 69: 17–26.
- [5] KM Tsang a, WL Chan a, X Tang b. PLL-less single stage grid-connected photovoltaic inverter with rapid maximum power point tracking. *Solar Energy*. 2013; 97: 285–292.
- [6] Guide to Renewable Energy' Republic of Algeria People's Democratic Ministry of Energy and Mines. Edition Directorate New and Renewable Energies. 2007.
- [7] A Ravi a, PS Manoharan b $\hat{\imath}$ , J Vijay Anand b. Modeling and simulation of three phase multilevel inverter for grid connected photovoltaic systems. *Solar Energy*. 2011; 85: 2811–2818.
- [8] Brinkman G, Denholm P, Drury E, Margolis R, Mowers M. Experimental assessment of the waveform distortion in grid-connected photovoltaic installations. Toward a solar-powered grid. *IEEE Power*

- 
- Energy Mag.* 2011; 9(3): 24–32. Chicco G, Schlabach J, Spertino F. *Solar Energy.* 2009; 83(7): 1026–1039.
- [9] Radioalgerie.dz/.../files/Energies%20Renouvelable%20M.%20Rebbah.pdf
- [10] Yihua Hu a, Wenping Cao b, \*, Bing Ji c, Jikai Si d, Xiangping Chen. New multi-stage DC/DC converters for grid-connected photovoltaic systems. *Renewable Energy.* 2015; 74: 247-254.