



THE UNIVERSITY *of* EDINBURGH

Edinburgh Research Explorer

Analytical device for test fluids, comprises a conductive polymer composition

Citation for published version:

Hands, PJW, Bloor, D, Laughlin, PJ & Lussey, D 2002, Analytical device for test fluids, comprises a conductive polymer composition, Patent No. WO02099822.

Link:

[Link to publication record in Edinburgh Research Explorer](#)

Document Version:

Publisher's PDF, also known as Version of record

General rights

Copyright for the publications made accessible via the Edinburgh Research Explorer is retained by the author(s) and / or other copyright owners and it is a condition of accessing these publications that users recognise and abide by the legal requirements associated with these rights.

Take down policy

The University of Edinburgh has made every reasonable effort to ensure that Edinburgh Research Explorer content complies with UK legislation. If you believe that the public display of this file breaches copyright please contact openaccess@ed.ac.uk providing details, and we will remove access to the work immediately and investigate your claim.



(19) World Intellectual Property Organization
International Bureau



(43) International Publication Date
12 December 2002 (12.12.2002)

PCT

(10) International Publication Number
WO 02/099822 A3

- (51) International Patent Classification⁷: **H01C 7/02**,
10/10, G01N 27/12
- (21) International Application Number: PCT/GB02/02523
- (22) International Filing Date: 30 May 2002 (30.05.2002)
- (25) Filing Language: English
- (26) Publication Language: English
- (30) Priority Data:
0113905.4 7 June 2001 (07.06.2001) GB
- (71) Applicant (for all designated States except US): **PERATECH LTD** [GB/GB]; G3/G4 Morton Park Way, Darlington, Durham DL1 4PJ (GB).
- (72) Inventors; and
- (75) Inventors/Applicants (for US only): **LUSSEY, David**

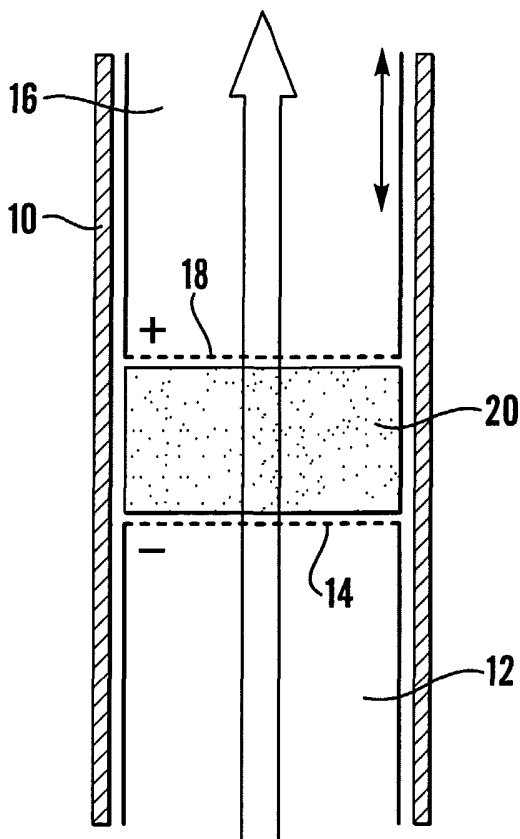
[GB/GB]; 'Perapedhi', Tunstall, Richmond, Yorkshire DL10 7QL (GB). **BLOOR, David** [GB/GB]; 'Wainstones', 7 Almoners Barn, Durham, Durham DH1 3TZ (GB). **LAUGHLIN, Paul, Jonathan**, [GB/GB]; 69 Okehampton Drive, Houghton-le-Spring, Tyne and Wear DH4 4YB (GB). **HANDS, Philip, James, Walton**, [GB/GB]; 32 Lawson Terrace, Durham, Durham DH1 4EW (GB).

(74) Agent: **SANDERSON, Michael, J.**; Mewburn Ellis, York House, 23 Kingsway, London, Greater London WC2B 6HP (GB).

(81) Designated States (national): AE, AG, AL, AM, AT, AU, AZ, BA, BB, BG, BR, BY, BZ, CA, CH, CN, CO, CR, CU, CZ, DE, DK, DM, DZ, EC, EE, ES, FI, GB, GD, GE, GH, GM, HR, HU, ID, IL, IN, IS, JP, KE, KG, KP, KR, KZ, LC, LK, LR, LS, LT, LU, LV, MA, MD, MG, MK, MN, MW, MX, MZ, NO, NZ, OM, PH, PL, PT, RO, RU, SD, SE, SG, SI, SK, SL, TJ, TM, TN, TR, TT, TZ, UA, UG, US, UZ, VN, YU, ZA, ZM, ZW.

[Continued on next page]

(54) Title: ANALYTICAL DEVICE FOR TEST FLUIDS, COMPRISES A CONDUCTIVE POLYMER COMPOSITION



(57) Abstract: A sensor for chemical species or biological species or radiation presenting to test fluid a polymer composition comprises polymer and conductive filler metal, alloy or reduced metal oxide and having a first level of electrical conductance when quiescent and being convertible to a second level of conductance by change of stress applied by stretching or compression or electric field, in which the polymer composition is characterised by at least one of the features in the form of particles at least 90% w/w held on a 100 mesh sieve; and/or comprising a permeable body extending across a channel of fluid flow; and/or affording in-and-out diffusion of test fluid and/or mechanically coupled to a workpiece of polymer swellable by a constituent of test fluid.



WO 02/099822 A3



(84) Designated States (regional): ARIPO patent (GH, GM, KE, LS, MW, MZ, SD, SL, SZ, TZ, UG, ZM, ZW), Eurasian patent (AM, AZ, BY, KG, KZ, MD, RU, TJ, TM), European patent (AT, BE, CH, CY, DE, DK, ES, FI, FR, GB, GR, IE, IT, LU, MC, NL, PT, SE, TR), OAPI patent (BF, BJ, CF, CG, CI, CM, GA, GN, GQ, GW, ML, MR, NE, SN, TD, TG).

(88) Date of publication of the international search report:
6 March 2003

For two-letter codes and other abbreviations, refer to the "Guidance Notes on Codes and Abbreviations" appearing at the beginning of each regular issue of the PCT Gazette.

Published:

— *with international search report*

INTERNATIONAL SEARCH REPORT

International Application No
PCT/GB 02/02523

A. CLASSIFICATION OF SUBJECT MATTER
IPC 7 H01C7/02 H01C10/10 G01N27/12

According to International Patent Classification (IPC) or to both national classification and IPC

B. FIELDS SEARCHED

Minimum documentation searched (classification system followed by classification symbols)
IPC 7 G01N H01C

Documentation searched other than minimum documentation to the extent that such documents are included in the fields searched

Electronic data base consulted during the international search (name of data base and, where practical, search terms used)

EPO-Internal

C. DOCUMENTS CONSIDERED TO BE RELEVANT

Category °	Citation of document, with indication, where appropriate, of the relevant passages	Relevant to claim No.
X	WO 00 79546 A (LUSSEY DAVID ;PERATECH LTD (GB)) 28 December 2000 (2000-12-28) cited in the application page 1, line 16 -page 17, line 25 ---	1-14
A	WO 99 38173 A (KING ANDREW BRIAN ;LUSSEY CHRISTOPHER JOHN (GB); LUSSEY DAVID (GB)) 29 July 1999 (1999-07-29) cited in the application page 1, line 27 -page 2, line 7 page 5, line 13 - line 21 ---	2,5
A	US 4 137 494 A (MALLEY FRANK ET AL) 30 January 1979 (1979-01-30) column 2, line 52 -column 3, line 30; figures 1,2 --- -/--	1

Further documents are listed in the continuation of box C.

Patent family members are listed in annex.

° Special categories of cited documents :

- *A* document defining the general state of the art which is not considered to be of particular relevance
- *E* earlier document but published on or after the international filing date
- *L* document which may throw doubts on priority claim(s) or which is cited to establish the publication date of another citation or other special reason (as specified)
- *O* document referring to an oral disclosure, use, exhibition or other means
- *P* document published prior to the international filing date but later than the priority date claimed

- *T* later document published after the international filing date or priority date and not in conflict with the application but cited to understand the principle or theory underlying the invention
- *X* document of particular relevance; the claimed invention cannot be considered novel or cannot be considered to involve an inventive step when the document is taken alone
- *Y* document of particular relevance; the claimed invention cannot be considered to involve an inventive step when the document is combined with one or more other such documents, such combination being obvious to a person skilled in the art.
- *G* document member of the same patent family

Date of the actual completion of the international search

10 December 2002

Date of mailing of the international search report

18/12/2002

Name and mailing address of the ISA
European Patent Office, P.B. 5818 Patentlaan 2
NL - 2280 HV Rijswijk
Tel. (+31-70) 340-2040, Tx. 31 651 epo nl,
Fax: (+31-70) 340-3016

Authorized officer

Wilhelm, J

INTERNATIONAL SEARCH REPORT

International Application No
PCT/GB 02/02523

C.(Continuation) DOCUMENTS CONSIDERED TO BE RELEVANT

Category *	Citation of document, with indication, where appropriate, of the relevant passages	Relevant to claim No.
A	GB 1 142 254 A (GAS COUNCIL) 5 February 1969 (1969-02-05) claims 2-4; figure 2 ---	1
A	US 4 631 952 A (DONAGHEY LEE F) 30 December 1986 (1986-12-30) column 5, line 16 - line 21 ---	1
A	US 6 194 769 B1 (ANDERSON ROBERT A ET AL) 27 February 2001 (2001-02-27) column 6, line 36 - line 60; figure 6 ---	1
A	US 5 512 882 A (STETTER JOSEPH R ET AL) 30 April 1996 (1996-04-30) column 1, line 65 -column 2, line 14 -----	1,2

INTERNATIONAL SEARCH REPORT

Information on patent family members

International Application No PCT/GB 02/02523

Patent document cited in search report		Publication date		Patent family member(s)	Publication date
WO 0079546	A	28-12-2000		AU 5549500 A	09-01-2001
				CN 1365501 T	21-08-2002
				EP 1188170 A1	20-03-2002
				WO 0079546 A1	28-12-2000
WO 9938173	A	29-07-1999		AU 2176899 A	09-08-1999
				AU 5674898 A	18-08-1998
				CA 2318742 A1	29-07-1999
				CN 1291338 T	11-04-2001
				EP 0956565 A1	17-11-1999
				EP 1050054 A1	08-11-2000
				WO 9938173 A1	29-07-1999
				JP 2001509311 T	10-07-2001
				JP 2002501949 T	22-01-2002
				US 6291568 B1	18-09-2001
US 4137494	A	30-01-1979		NONE	
GB 1142254	A	05-02-1969		NONE	
US 4631952	A	30-12-1986		NONE	
US 6194769	B1	27-02-2001		NONE	
US 5512882	A	30-04-1996		NONE	