



THE UNIVERSITY *of* EDINBURGH

Edinburgh Research Explorer

The T-box family

Citation for published version:

Wilson, V, Conlon, FL & Wilson, V 2002, 'The T-box family' *Genome Biology*, vol 3, no. 6, pp. reviews3008-reviews3008.7., 10.1186/gb-2002-3-6-reviews3008

Digital Object Identifier (DOI):

[10.1186/gb-2002-3-6-reviews3008](https://doi.org/10.1186/gb-2002-3-6-reviews3008)

Link:

[Link to publication record in Edinburgh Research Explorer](#)

Document Version:

Publisher final version (usually the publisher pdf)

Published In:

Genome Biology

Publisher Rights Statement:

RoMEO green

General rights

Copyright for the publications made accessible via the Edinburgh Research Explorer is retained by the author(s) and / or other copyright owners and it is a condition of accessing these publications that users recognise and abide by the legal requirements associated with these rights.

Take down policy

The University of Edinburgh has made every reasonable effort to ensure that Edinburgh Research Explorer content complies with UK legislation. If you believe that the public display of this file breaches copyright please contact openaccess@ed.ac.uk providing details, and we will remove access to the work immediately and investigate your claim.



Protein family review

The T-box family

Val Wilson* and Frank L Conlon†

Addresses: *Centre for Genome Research, King's Buildings, West Mains Rd, Edinburgh EH9 3JQ, UK. †Department of Genetics, 220 Fordham Hall, University of North Carolina, Chapel Hill, NC 27599-3280, USA.

Correspondence: Frank L Conlon. E-mail: frank_conlon@med.unc.edu

Published: 31 May 2002

Genome **Biology** 2002, **3(6)**:reviews3008.1–3008.7

The electronic version of this article is the complete one and can be found online at <http://genomebiology.com/2002/3/6/reviews/3008>

© BioMed Central Ltd (Print ISSN 1465-6906; Online ISSN 1465-6914)

Summary

Transcription factors of the T-box family are required both for early cell-fate decisions, such as those necessary for formation of the basic vertebrate body plan, and for differentiation and organogenesis. When mutated, T-box genes give dramatic phenotypes in mouse and zebrafish, and they have been implicated both in fundamentals of limb patterning and in a number of human congenital malformations such as Holt-Oram, ulnar-mammary and DiGeorge syndromes, as well as being amplified in a subset of cancers. Genes encoding members of the T-box family have recently been shown to comprise approximately 0.1% of genomes as diverse as those of nematodes and humans and have been identified in a wide variety of animals from ctenophores (comb jellies) to mammals; they are, however, completely absent from genomes from other organisms (such as the model plant *Arabidopsis thaliana*).

Gene organization and evolutionary history

Positional cloning and sequencing of the genes defective in the mouse gastrulation mutant *Brachyury*, also known as *T*, and of the *Drosophila* behavior mutant *optomotor-blind* (*omb*), show extensive sequence similarity between the amino-terminal regions of the two proteins [1,2]; the region of similarity contains a unique sequence-specific DNA-binding domain. Since these initial observations, over 50 proteins have been identified with sequence similarity to the DNA-binding domain of *Brachyury* and *Omb*. This domain is now referred to as the T-box and the genes are collectively referred to as the T-box gene family. Members of this family are expressed in, and are required for, the development of multiple cell types in diverse organisms, as demonstrated by genetic studies in flies, worms, fish, mice, dogs, and humans [3-7]. For many of these genes, such as *Brachyury*, there are clear orthologs (direct homologs), with a high degree of sequence similarity, expression pattern, and function between a variety of vertebrates, including fish, frogs, dogs, and mice [1-7]. Other T-box genes appear to be unique to a particular species; for instance, *VegT*, a T-box gene thought

to be required for endoderm formation in *Xenopus*, has no apparent ortholog in mice or humans. The family has 18 members in mammals; representatives have been identified from a wide range of animals, including various chordates, *Drosophila melanogaster* (11 members), *Caenorhabditis elegans* (14 members), annelids, and cnidarians.

Analysis of T-box genes shows most of their loci to be dispersed randomly throughout chordate genomes (see Table 1 for their locations in the human genome), although several examples of clustering have been reported. One instance occurs in *C. elegans*, for which genomic sequencing has shown a tight linkage between *Tbx8* and *Tbx9* [8]; a second is in mouse, where *Tbx2* and *Tbx4* are tightly linked on chromosome 11 and *Tbx3* and *Tbx5* are linked on chromosome 5. The association between these latter T-box genes appears to be conserved in other mammals, as human *Tbx2* and *Tbx4*, and *Tbx3* and *Tbx5*, have a similar arrangement on chromosomes 17 and 12, respectively [9,10]. Phylogenetic analysis of these cognate pairs suggests they arose through initial duplication of an ancestral gene by an unequal crossover event

between two alleles; in the case of *Tbx2* and *Tbx4*, and *Tbx3* and *Tbx5*, these events occurred at least 600 million years ago [8,11]. Although possible mechanisms for the duplication have been put forward, such as duplication of entire chromosomes or genomes, the functional consequences of the pairs of linked *Tbx* genes remains to be established.

T-box genes contain multiple exons, and the T-box is generally encoded by at least five exons dispersed over a relatively large distance. For example, the human *Tbx5* gene contains eight exons distributed over 53 kilobases (kb) of chromosome 12 [10]. As has been found for other gene families, the intron-exon boundaries of T-box homologs are conserved throughout evolution, but the lengths of the introns vary between species [10,12]. Most T-box family members encode a single transcript and there are few direct demonstrations of alternative exon splicing. One exception is *Xenopus* VegT/Antipodean protein, which is found in two different isoforms resulting from alternative splicing of the 3' end of the *VegT* gene. Interestingly, the isoforms appear to be tissue-specific: one is present maternally in the endodermal layer of the embryo and the other is expressed zygotically in the mesodermal layer [13].

Characteristic structural features

T-box proteins generally range in size from 50 kDa to 78 kDa. *Brachyury*, the founding member of the T-box gene family, has been shown to encode a sequence-specific DNA-binding protein that functions as a transcriptional activator [1,14-17]. Although crystallographic analysis of T-box proteins has been achieved only for a truncated version of the *Xenopus* homolog of *Brachyury*, *Xbra*, and a truncated version of *Tbx3*, the results clearly demonstrate that the T-box is unlike any other DNA-binding domain [18] (Figure 1). Studies with a number of T-box proteins have shown that they comprise at least two structural and functional domains: a sequence-specific DNA-binding domain (the T-box) and a transcriptional activator or repressor domain [3,4]. The relative position of the domains varies between different members of the family, but the order is conserved for any one member of the T-box family and its orthologs [10,12].

The T-box

The T-box is defined as the minimal region within the T-box protein that is both necessary and sufficient for sequence-specific DNA binding [3-5,14,17]. Despite the sequence variations within the T-box between family members, examination of downstream targets and binding-site selection experiments for a number of T-box proteins show that all members of the family so far examined bind to the DNA consensus sequence TCACACCT. In several binding-site selection studies, members of the T-box family preferentially bound sequences that contain two or more core motifs arranged in various orientations. The ability to bind the

sequence is protein-specific; for example, *Xbra* can bind to two core motifs arranged head-to-head, whereas *VegT* cannot; conversely, *VegT* can bind to two core motifs arranged tail-to-tail whereas *Xbra* cannot. The biological relevance of these findings remains unknown, as no downstream target of any T-box gene has been found to contain a double site [17].

The T-box is a relatively large DNA-binding domain, generally comprising about a third of the entire protein (17-26 kDa), and individual T-box gene family members show varying degrees of homology across the domain. Specific residues within the T-box are 100% conserved in all members of the family, however. This observation has provided the basis for subdivision of the family (see Figure 2) [19]. It has recently been demonstrated that the specificity of several T-box proteins for their target sites lies mainly within the T-box. But specificity does not appear to reflect binding affinity [17], suggesting that other functions may lie in the T-box, such as regions required for protein-protein interactions. Consistent with this proposal, our mutational analysis has identified a single amino-acid residue within the T-box of *Xenopus* *Xbra*, *Eomesodermin*, and *VegT* (Lys149, Asn155 or Asn353, respectively) that is required for the correct target specificity of the respective proteins [17]. In addition, one T-box protein, *Mga*, contains both a T-box and a basic helix-loop-helix leucine zipper (bHLH-zip) domain [20]. When heterodimerized with the bHLH protein *Max*, *Mga* is converted to a transcriptional activator with apparent dual specificity, regulating genes containing either a *Max*-binding or a T-box-domain-binding site [20]. Conversely, human *Tbx22* has been found to contain a truncated T-box lacking residues found in the amino-terminal portion of all other family members and would be predicted not to bind DNA [21]. *Tbx22* may therefore represent a case in which the T-box has functions other than DNA binding.

Transcriptional regulatory domains

T-box proteins have been demonstrated to function both as transcriptional activators and as repressors. In all cases studied, the transcriptional regulation activity has been shown to require sequences located in the carboxy-terminal portion of the protein. Only in the case of *Brachyury* and its frog and zebrafish orthologs, however, has the region both necessary and sufficient for transcriptional regulation been accurately mapped [16,22]. Interestingly, there are only a few small blocks of conservation between the *Brachyury* orthologs in this region, and the overall level of similarity is low.

Localization and function

The T-box genes share two characteristics of interest to researchers studying cell specification and differentiation: they tend to be expressed in specific organs or cell types, especially during development, and they are generally required for the development of those tissues (Table 1). In the

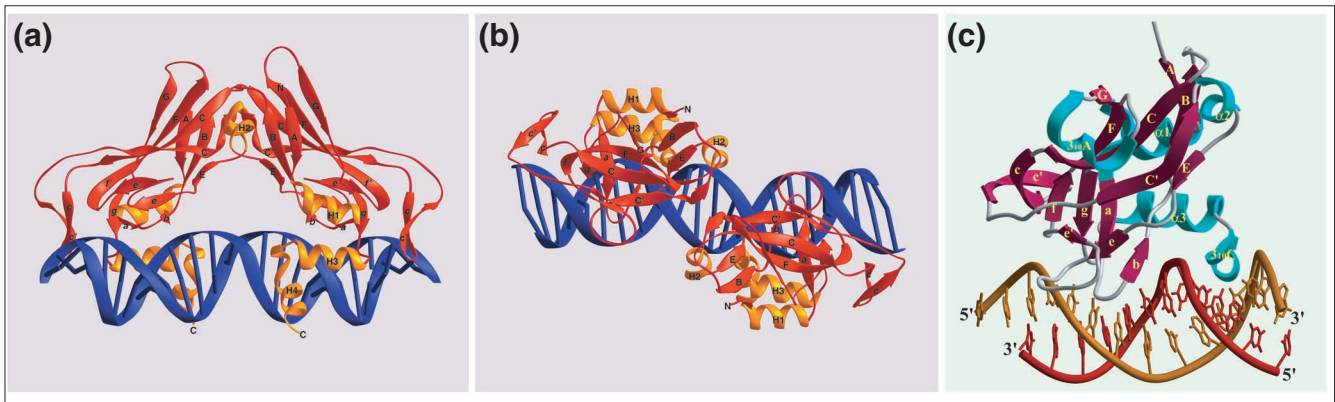


Figure 1
Ribbon diagram of crystal structures of (a,b) *Xenopus* Xbra and (c) human TBX3 bound to DNA. Beta strands are depicted in red and alpha helices in (a,b) orange or (c) turquoise. Reproduced with permission from [18,61].

few cases for which intracellular localization has been analyzed, T-box proteins have shown to be localized exclusively in the nucleus. These considerations, together with their DNA-binding and transcriptional activation/repression capacity, mean that T-box proteins are well placed to fulfill a wide array of important regulatory roles in development. This is supported by the observation that mutant alleles commonly give a phenotype even in heterozygotes (that is, they show haploinsufficiency), indicating that the level of a T-box

protein is important for determining its function. In addition, mutational studies have demonstrated that T-box genes are required cell-autonomously (active in the cell in which they are expressed). For example, Brachyury is expressed in posterior mesoderm and in the developing notochord, and it is required for the formation of these cells in mice [1,23-28].

T-box genes are also required in specific tissue types at later stages of development: for example, *Tbx2*, *Tbx3*, *Tbx4* and

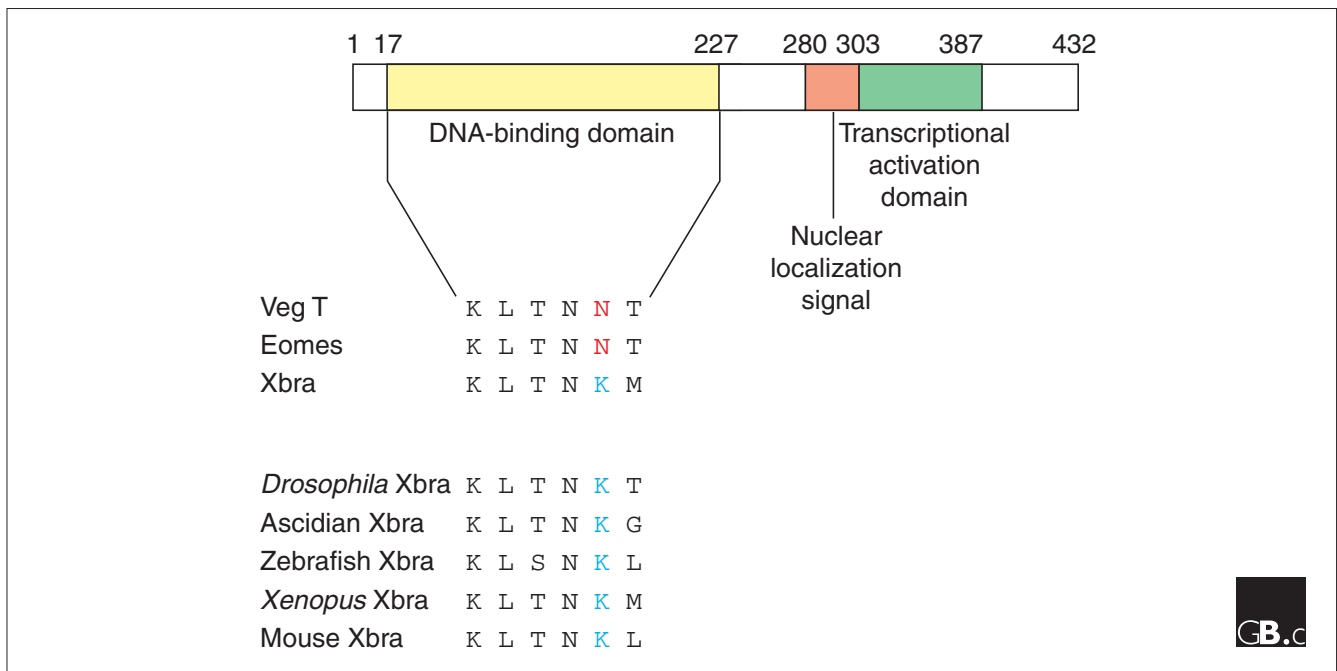


Figure 2
Conservation of selected T-box residues and the presence of diagnostic residues for different members of the family. Position 149 is always a lysine in Xbra proteins from different species (blue) but not in other T-box proteins (red). A diagram of *Xenopus* Xbra is above, showing the relative positions of the DNA-binding domain, the nuclear localization signal, and the transcriptional activation domain.



Table 1**Mouse and human T-box-containing genes**

Subfamily	Gene	Human Chromosome	Expression	Heterozygous phenotype in human (null phenotype of mouse homolog)	Reference (mutations only)	
Brachyury	<i>BRACHYURY</i>	6	Primitive streak, tail bud, and notochord	Spinal cord defects (anteroposterior axis defects)	[22-26]	
	<i>TBX19 (TPIT)</i>	1	Pituitary		[49,50]	
T-brain1	<i>T-BRAIN1</i>	2	Cerebral cortex	(Early postimplantation failure)	[51]	
	<i>EOMESODERMIN/ (?T-BRAIN2)</i>	3	Trophoblast, early primitive streak, and cerebral cortex		[44,45]	
	<i>TBX21 (T-BET)</i>	17	Th1 lineage, lung, and spleen (adult)		[52]	
Tbx1	<i>TBX1</i>	22	Heart and pharyngeal arches	DiGeorge syndrome	[38-40]	
	<i>TBX10</i>	11			[53]	
	<i>Tbx13 (MmTbx7)*</i>				[10]	
	<i>Tbx14 (MmTbx8)*</i>				[10]	
	<i>TBX15</i>	1	Craniofacial region and limbs		[54]	
	<i>TBX18</i>	6	Heart, somites, and limbs		[55]	
	<i>TBX20 (TBX12)</i>	7	Heart, eye, ventral neural tube, and limb		[56,57]	
Tbx2	<i>TBX22</i>	X	Fetus	X-linked cleft palate	[21,58]	
	<i>TBX2</i>	17	Limbs and heart		[59]	
	<i>TBX3 (including an alternative splice form)</i>	12	Limbs and heart		Ulnar-mammary syndrome	[31,32]
	<i>TBX4</i>	17	Allantois, hindlimb		[30,60]	
	<i>TBX5 (including an alternative splice form)</i>	12	Forelimb		Holt-Oram syndrome (failure of heart development)	[30,31,35-37]
Tbx6	<i>TBX6</i>	16	Primitive streak and tail bud	(Respecification of posterior paraxial mesoderm as neurectoderm)	[60]	

*These sequences have been reported in mouse but not human; the human genes are hypothetical.

Tbx5 in the developing limb (reviewed in [29]). *Tbx2* and *Tbx3* are expressed in the anterior and posterior margins of both forelimb and hindlimb buds [30]. The posterior expression of *Tbx3* is crucial for the development of the more distal limb elements, as shown in human patients lacking *TBX3*, who have ulnar-mammary syndrome and lack the ulna (a forearm bone) and digits [31,32].

In contrast to the overlap in expression of *Tbx2* and *Tbx3*, their close homologs, *Tbx4* and *Tbx5*, are expressed exclusively in the hindlimb bud and the forelimb bud, respectively [30]. Although the signals that direct expression of these genes to the forelimb or hindlimb are unknown, it is likely that at least part of this involves an interpretation of the 'Hox code', the set of Hox genes expressed in the mesoderm that eventually produces the mesenchyme cells that migrate

into the limb buds [33,34]. The expression of *Tbx4* lies downstream of *PtX1*, a homeobox-containing gene expressed in posterior lateral plate mesoderm. Expression is, however, independent of the signals that direct limb-bud outgrowth. Significantly, these genes not only delineate forelimb and hindlimb territories but also specify forelimb or hindlimb type [33,34]. Retroviral overexpression of *Tbx4* inappropriately in forelimb mesenchyme of chick embryos, or of *Tbx5* in the hindlimb, can transform the tissue into hindlimb or forelimb type, respectively [33]. The transformation includes both the mesodermally derived skeletal elements and the overlying ectoderm, which develops feathers or scales depending on which gene is expressed [33]. *Tbx4* and *Tbx5* are thus thought to act as 'selector' genes for the limb bud, defining what type of limb develops; this is corroborated by the correlation of *Tbx4* or *Tbx5* expression with hindlimb or

forelimb identity in the limb buds induced by ectopic expression of fibroblast growth factors in the flank [34]. Finally, mutations in human *TBX5* affect forelimb growth and heart development [35,36]. Interestingly, missense mutations within the T-box of human *TBX5* that contact the minor groove of DNA (such as Arg237Gln) result primarily in limb abnormalities, whereas the other aspect of Holt-Oram syndrome, aberrant heart development, is predominantly seen as a result of a missense mutation that alters a residue that contacts the major groove (Gly80Arg) [37]. This suggests that tissue-specific target genes are affected by mutations in different residues within the T-box of *TBX5*.

Mutations in T-box proteins have also been implicated in DiGeorge syndrome, a complex disease that includes abnormalities of the heart's outflow tract [38-40], and *Tbx2* is amplified in some types of breast cancer [41].

Frontiers

Despite the essential role for individual members of the T-box gene family in a wide variety of developmental processes, relatively little is known about the genetic and biochemical pathways in which T-box genes act [42,43]. Thus, one of the critical areas for future research is to identify the factors that act directly upstream and downstream of individual T-box genes.

At the cellular level, genetic mutations have provided clues about the requirement for T-box genes in a variety of developmental processes, but the exact function of T-box genes, including questions of genetic redundancy, still needs to be established. For example, in ulnar-mammary syndrome patients it is not clear why there is no corresponding defect in the legs, a region that normally expresses *Tbx3* [30,31]. This may perhaps be due to a redundant function with other T-box genes expressed in the hindlimb, such as *Tbx2* or *Tbx4*.

In order to dissect the function of individual T-box genes, it will also be necessary to generate allelic series (as has been useful for the study of Holt-Oram syndrome) and conditional mutations. A case for the latter has already been demonstrated for *Eomesodermin*, a gene expressed in all vertebrates just prior to gastrulation in the prospective mesoderm and, in the mouse, in the trophoblast, an extraembryonic tissue that is required for placenta formation and is thus unique to mammals [44]. Mice lacking *Eomesodermin* fail at, or shortly after, implantation, because of a defect in the trophoblast. This phenotype can be rescued by wild-type trophoblast, even if the embryo itself is mutant, but when embryonic tissues lack *Eomesodermin*, mesoderm differentiation and migration fails completely [45].

Finally, relatively little is known about post-translational processing, protein turnover, or protein stability for any

T-box protein. In addition, only in the case of *Tbx5* [46,47], *Tbr1* [48], and *Mga* [20] has a protein-protein interaction domain been reported and, with the exception of *Mga*, the biological significance of these interactions has not yet been determined.

References

- Herrmann BG, Labeit S, Poustka A, King TR, Lehrach H: **Cloning of the T gene required in mesoderm formation in the mouse.** *Nature* 1990, **343**:617-622.
The seminal piece of work identifying *Brachyury* as the gene disrupted in a classical mouse mutation.
- Pflugfelder GO, Roth H, Poock B: **A homology domain shared between *Drosophila optomotor-blind* and mouse *Brachyury* is involved in DNA binding.** *Biochem Biophys Res Commun* 1992, **186**:918-925.
First clues that *Brachyury* and *Omb* may be members of a protein family.
- Papaioannou VE: **T-box genes in development: from hydra to humans.** *Int Rev Cytol* 2001, **207**:1-70.
A comprehensive review of the T-box gene family.
- Smith J: **T-box genes: what they do and how they do it.** *Trends Genet* 1999, **15**:154-158.
A review of the molecular and cellular aspects of the T-box gene family.
- Papaioannou VE, Silver LM: **The T-box gene family.** *BioEssays* 1998, **20**:9-19.
A review of T-box family members.
- Haworth K, Putt W, Cattanaich B, Breen M, Binns M, Lingaas F, Edwards YH: **Canine homolog of the T-box transcription factor T; failure of the protein to bind to its DNA target leads to a short-tail phenotype.** *Mamm Genome* 2001, **12**:212-218.
This paper demonstrates the high degree of conservation in the function of *Brachyury* and explains why Corgis have short tails.
- Herrmann BG, Kispert A: **The T genes in embryogenesis.** *Trends Genet* 1994, **10**:280-286.
A review of T-box family members and their role in early development.
- Agulnik SI, Bollag RJ, Silver LM: **Conservation of the T-box gene family from *Mus musculus* to *Caenorhabditis elegans*.** *Genomics* 1995, **25**:214-219.
Shows the conservation of the T-box family from worms to mice.
- Ruvinsky I, Silver LM: **Newly identified paralogous groups on mouse chromosomes 5 and 11 reveal the age of a T-box cluster duplication.** *Genomics* 1997, **40**:262-266.
Work on the evolutionary history of the T-box family.
- Entrez Nucleotide**
[http://www.ncbi.nlm.nih.gov/entrez/query.fcgi?db=Nucleotide]
One of the main sequence databases.
- Agulnik SI, Garvey N, Hancock S, Ruvinsky I, Chapman DL, Agulnik I, Bollag R, Papaioannou V, Silver LM: **Evolution of mouse T-box genes by tandem duplication and cluster dispersion.** *Genetics* 1996, **144**:249-254.
A proposal for how an ancestral locus gave rise to two T-box gene clusters.
- Wattler S, Russ A, Evans M, Nehls M: **A combined analysis of genomic and primary protein structure defines the phylogenetic relationship of new members of the T-box family.** *Genomics* 1998, **48**:24-33.
A proposal for classifying the T-box family based on genomic structure of the DNA-binding domain.
- Stennard F, Zorn AM, Ryan K, Garrett N, Gurdon JB: **Differential expression of *VegT* and Antipodean protein isoforms in *Xenopus*.** *Mech Dev* 1999, **86**:87-98.
The first direct demonstration of alternative splicing of a T-box gene.
- Kispert A, Herrmann BG: **The *Brachyury* gene encodes a novel DNA binding protein.** *EMBO J* 1993, **12**:3211-3220.
Brachyury can bind to DNA in a sequence-specific fashion.
- Kispert A, Ortner H, Cooke J, Herrmann BG: **The chick *Brachyury* gene: developmental expression pattern and response to axial induction by localized activin.** *Dev Biol* 1995, **168**:406-415.
Further evidence that the sequence and expression of *Brachyury* is evolutionarily conserved.

16. Conlon FL, Sedgwick SG, Weston KM, Smith JC: **Inhibition of Xbra transcription activation causes defects in mesodermal patterning and reveals autoregulation of Xbra in dorsal mesoderm.** *Development* 1996, **122**:2427-2435.
Xbra and Ntl function as transcriptional activators *in vivo*.
17. Conlon FL, Fairclough L, Price BM, Casey ES, Smith JC: **Determinants of T box protein specificity.** *Development* 2001, **128**:3749-3758.
Analysis of the binding site specificity and protein specificity of Xbra, Eomesodermin, and VegT and how it relates to early mesodermal patterning.
18. Muller CW, Herrmann BG: **Crystallographic structure of the T domain-DNA complex of the Brachyury transcription factor.** *Nature* 1997, **389**:884-888.
The first crystal structure of a T-box protein.
19. Agulnik SI, Ruvinsky I, Silver LM: **Three novel T-box genes in *Caenorhabditis elegans*.** *Genome* 1997, **40**:458-464.
The emergence of the gene family in the worm.
20. Hurlin PJ, Steingrimsson E, Copeland NG, Jenkins NA, Eisenman RN: **Mga, a dual-specificity transcription factor that interacts with Max and contains a T-domain DNA-binding motif.** *EMBO J* 1999, **18**:7019-7028.
Shows that one T-box gene family member may have more than one type of DNA-binding domain, and hence more than one function.
21. Laugier-Anfossi F, Villard L: **Molecular characterization of a new human T-box gene (TBX22) located in Xq21.1 encoding a protein containing a truncated T-domain.** *Gene* 2000, **255**:289-296.
Cloning of a T-box gene family member with a truncated version of the DNA-binding domain.
22. Kispert A, Koschorz B, Herrmann BG: **The T protein encoded by Brachyury is a tissue-specific transcription factor.** *EMBO J* 1995, **14**:4763-4772.
Brachyury can function as a transcriptional activator.
23. Chesley P: **Development of the short-tailed mutant in the house mouse.** *J Exp Zool* 1935, **70**:429-459.
This paper and [24,25] are classic studies on the mouse mutation *Brachyury*.
24. Gluecksohn-Schoenheimer S: **The development of two tailless mutants in the house mouse.** *Genetics* 1938, **23**:573-584.
See [23].
25. Gluecksohn-Schoenheimer S: **The development of normal and homozygous brachy (T/T) mouse embryos in the extraembryonic coelom of the chick.** *Proc Natl Acad Sci USA* 1944, **30**:134-140.
See [23].
26. Wilkinson DG, Bhatt S, Herrmann BG: **Expression pattern of the mouse T gene and its role in mesoderm formation.** *Nature* 1990, **343**:657-659.
The first demonstration that a T-box gene family member is highly restricted in its temporal and spatial expression.
27. Rashbass P, Cooke LA, Herrmann BG, Beddington RS: **A cell autonomous function of Brachyury in T/T embryonic stem cell chimaeras.** *Nature* 1991, **353**:348-351.
Brachyury functions in a cell-autonomous fashion.
28. Wilson V, Rashbass P, Beddington RS: **Chimeric analysis of T Brachyury gene function.** *Development* 1993, **117**:1321-1331.
Brachyury regulates cell migration.
29. Simon H: **T-box genes and the formation of vertebrate forelimb- and hindlimb specific pattern.** *Cell Tissue Res* 1999, **296**:57-66.
A review of the role of T-box genes in limb development.
30. Chapman DL, Garvey N, Hancock S, Alexiou M, Agulnik SI, Gibson-Brown JJ, Cebra-Thomas J, Bollag RJ, Silver LM, Papaioannou VE: **Expression of the T-box family genes, Tbx1-Tbx5, during early mouse development.** *Dev Dynam* 1996, **206**:379-390.
Demonstrates that each member of the T-box gene family has a highly restricted pattern of expression during embryogenesis.
31. Bamshad M, Lin RC, Law DJ, Watkins WC, Krakowiak PA, Moore ME, Franceschini P, Lala R, Holmes LB, Gebuhr TC, et al.: **Mutations in human TBX3 alter limb, apocrine and genital development in ulnar-mammary syndrome.** *Nat Genet* 1997, **16**:311-315.
Studies linking ulnar-mammary syndrome with mutations in TBX3.
32. He M, Wen L, Campbell CE, Wu JY, Rao Y: **Transcription repression by *Xenopus* ET and its human ortholog TBX3, a gene involved in ulnar-mammary syndrome.** *Proc Natl Acad Sci USA* 1999, **96**:10212-10217.
TBX3 can function as a transcriptional repressor.
33. Rodriguez-Esteban C, Tsukui T, Yonei S, Magallon J, Tamura K, Izpisua Belmonte JC: **The T-box genes *Tbx4* and *Tbx5* regulate limb outgrowth and identity.** *Nature* 1999, **398**:814-818.
This paper and [34] show roles for T-box gene family members in limb identity.
34. Isaac A, Rodriguez-Esteban C, Ryan A, Altabel M, Tsukui T, Patel K, Tickle C, Izpisua-Belmonte JC: **Tbx genes and limb identity in chick embryo development.** *Development* 1998, **125**:1867-1875.
See [33].
35. Basson CT, Bachinsky DR, Lin RC, Levi T, Elkins JA, Soultis J, Grayzel D, Kroumpouzou E, Traill TA, Leblanc-Straceski J, et al.: **Mutations in human TBX5 cause limb and cardiac malformation in Holt-Oram syndrome.** *Nat Genet* 1997, **15**:30-35.
This study and [36] link Holt-Oram syndrome to mutations in TBX5.
36. Li QY, Newbury-Ecob RA, Terrett JA, Wilson DI, Curtis AR, Yi CH, Gebuhr T, Bullen PJ, Robson SC, Strachan T, et al.: **Holt-Oram syndrome is caused by mutations in TBX5, a member of the Brachyury (T) gene family.** *Nat Genet* 1997, **15**:21-29.
See [35].
37. Basson CT, Huang T, Lin RC, Bachinsky DR, Weremowicz S, Vaglio A, Bruzzone R, Quadrelli R, Lerone M, Romeo G, et al.: **Different TBX5 interactions in heart and limb defined by Holt-Oram syndrome mutations.** *Proc Natl Acad Sci USA* 1999, **96**:2919-2924.
This paper suggests that missense mutation may disrupt different functions of Tbx5.
38. Merscher S, Funke B, Epstein JA, Heyer J, Puech A, Lu MM, Xavier RJ, Demay MB, Russell RG, Factor S, et al.: **TBX1 is responsible for cardiovascular defects in velo-cardio-facial/DiGeorge syndrome.** *Cell* 2001, **104**:619-629.
This paper and [39,40] demonstrate that the phenotype of the *velo-cardio-facial/DiGeorge syndrome* is due, in part, to a deletion of *TBX1*.
39. Jerome LA, Papaioannou VE: **DiGeorge syndrome phenotype in mice mutant for the T-box gene, *Tbx1*.** *Nat Genet* 2001, **27**:286-291.
See [38].
40. Lindsay EA, Vitelli F, Su H, Morishima M, Huynh T, Pramparo T, Jurecic V, Ogunrinu G, Sutherland HF, Scambler PJ, et al.: **Tbx1 haploinsufficiency in the DiGeorge syndrome region causes aortic arch defects in mice.** *Nature* 2001, **410**:97-101.
See [38].
41. Jacobs JJ, Keblusek P, Robanus-Maandag E, Kristel P, Lingbeek M, Nederlof PM, van Welsem T, van de Vijver MJ, Koh EY, Daley GQ, van Lohuizen M: **Senescence bypass screen identifies TBX2, which represses Cdkn2a (p19(ARF)) and is amplified in a subset of human breast cancers.** *Nat Genet* 2000, **26**:291-299.
TBX2 is amplified in a subset of breast cancers.
42. Smith JC, Armes NA, Conlon FL, Tada M, Umbhauer M, Weston KM: **Upstream and downstream from Brachyury, a gene required for vertebrate mesoderm formation.** *Cold Spring Harb Symp Quant Biol* 1997, **62**:337-346.
Delineation of the Brachyury/Xbra molecular pathway.
43. Tada M, Smith JC: **T-targets: clues to understanding the functions of T-box proteins.** *Dev Growth Differ* 2001, **43**:1-11.
Comprehensive review of potential targets of the T-box gene family.
44. Ciruna BG, Rossant J: **Expression of the T-box gene Eomesodermin during early mouse development.** *Mech Dev* 1999, **81**:199-203.
Cloning and expression of *Eomesodermin* from mouse.
45. Russ AP, Wattler S, Colledge WH, Aparicio SA, Carlton MB, Pearce JJ, Barton SC, Surani MA, Ryan K, Nehls MC, et al.: **Eomesodermin is required for mouse trophoblast development and mesoderm formation.** *Nature* 2000, **404**:95-99.
The requirement of Eomesodermin in separate lineages during early mouse embryogenesis.
46. Bruneau BG, Nemer G, Schmitt JP, Charron F, Robitaille L, Caron S, Conner DA, Gessler M, Nemer M, Seidman CE, Seidman JG: **A murine model of Holt-Oram syndrome defines roles of the T-box transcription factor Tbx5 in cardiogenesis and disease.** *Cell* 2001, **106**:709-721.
Functional conservation of Tbx5 between mouse and human.
47. Hiroi Y, Kudoh S, Monzen K, Ikeda Y, Yazaki Y, Nagai R, Komuro I: **Tbx5 associates with Nkx2-5 and synergistically promotes cardiomyocyte differentiation.** *Nat Genet* 2001, **28**:276-280.
Protein-protein interactions with a T-box gene.
48. Hsueh YP, Wang TF, Yang FC, Sheng M: **Nuclear translocation and transcription regulation by the membrane-associated guanylate kinase CASK/LIN-2.** *Nature* 2000, **404**:298-302.
Interactions of a T-box protein with other proteins.

49. Yi, CH, Terrett JA, Li QY, Ellington K, Packham EA, Armstrong-Buisseret L, McClure P, Slingsby T, Brook JD: **Identification, mapping, and phylogenomic analysis of four new human members of the T-box gene family: EOMES, TBX6, TBX18, and TBX19.** *Genomics* 1999, **55**:10-20.
Initial identification of *TBX19*.
50. Liu J, Lin C, Gleiberman A, Ohgi KA, Herman T, Huang HP, Tsai MJ, Rosenfeld MG: **Tbx19, a tissue-selective regulator of POMC gene expression.** *Proc Natl Acad Sci USA* 2001, **98**:8674-8679.
Clues to the function of *TBX19*.
51. Tagawa K, Humphreys T, Satoh N: **T-Brain expression in the apical organ of hemichordate tornaria larvae suggests its evolutionary link to the vertebrate forebrain.** *J Exp Zool* 2000, **288**:23-31.
Cloning of *T-brain* and its evolutionary implications.
52. Szabo SJ, Kim ST, Costa GL, Zhang X, Fathman CG, Glimcher LH: **A novel transcription factor, T-bet, directs Th1 lineage commitment.** *Cell* 2000, **100**:655-69.
The role of *TBX21* in differentiation.
53. Law DJ, Garvey N, Agulnik SI, Perlroth V, Hahn OM, Rhinehart RE, Gebuhr TC, Silver LM: **TBX10, a member of the Tbx1-subfamily of conserved developmental genes, is located at human chromosome 11q13 and proximal mouse chromosome 19.** *Mamm Genome* 1998, **9**:397-399.
Cloning of *TBX10*.
54. Agulnik SI, Papaioannou VE, Silver LM: **Cloning, mapping, and expression analysis of TBX15, a new member of the T-box gene family.** *Genomics* 1998, **51**:68-75.
First description of *TBX15*.
55. Ahn DG, Ruvinsky I, Oates AC, Silver LM, Ho RK: **tbx20, a new vertebrate T-box gene expressed in the cranial motor neurons and developing cardiovascular structures in zebrafish.** *Mech Dev* 2000, **95**:253-258.
Cloning of the zebrafish homolog of *Drosophila H15*, *TBX20112*.
56. Meins M, Henderson DJ, Bhattacharya SS, Sowden JC: **Characterization of the human TBX20 gene, a new member of the T-Box gene family closely related to the Drosophila H15 gene.** *Genomics* 2000, **67**:317-332.
Cloning of the human homolog of *Drosophila H15*, *TBX20112*.
57. Braybrook C, Doudney K, Marcano AC, Arnason A, Bjornsson A, Patton MA, Goodfellow PJ, Moore GE, Stanier P: **The T-box transcription factor gene TBX22 is mutated in X-linked cleft palate and ankyloglossia.** *Nat Genet* 2001, **29**:179-183.
Demonstration that in a subset of individuals with cleft palate, the defect is associated with mutations in *TBX22*.
58. Campbell C, Goodrich K, Casey G, Beatty B: **Cloning and mapping of a human gene (TBX2) sharing a highly conserved protein motif with the Drosophila omb gene.** *Genomics* 1995, **28**:255-260.
The initial cloning and characterization of *TBX2*.
59. Gibson-Brown JJ, Agulnik SI, Chapman DL, Alexiou M, Garvey N, Silver LM, Papaioannou VE: **Evidence of a role for T-box genes in the evolution of limb morphogenesis and the specification of forelimb/hindlimb identity.** *Mech Dev* 1996, **56**:93-101.
The suggestion of a role for *TBX4* and *TBX5* in limb development.
60. Chapman, DL and Papaioannou, VE: **Three neural tubes in mouse embryos with mutations in the T-box gene Tbx6.** *Nature* 1998, **391**:695-697.
The finding that mutations in *TBX6* convert mesodermal tissue to neural tissue.
61. Coll M, Seidman JG, Muller CW: **Structure of the DNA-bound T-box domain of human TBX3, a transcription factor responsible for ulnar-mammary syndrome.** *Structure* 2002, **10**:343-356.
The second structure of a T-box protein.