



American Society of Mechanical Engineers

ASME Accepted Manuscript Repository

Institutional Repository Cover Sheet

Minsuok

Kim

First

Last

Validation of CFD simulations of cerebral aneurysms with implication of
geometric variations

ASME Paper Title:

Authors:

Yiemeng Hoi Scott H Woodward Minsuok Kim Dale B Taulbee Hui Meng

ASME Journal Title: Journal of Biomechanical Engineering

Volume/Issue 128(6): 844-851 Date of Publication (VOR* Online) June 15, 2006

ASME Digital Collection URL: <https://asmedigitalcollection.asme.org/biomechanical/article/128/6/844/476627/Validation-of-CFD-simulations-of-cerebral-aneurysms-with-implication-of-geometric-variations>

DOI: <https://doi.org/10.1115/1.2354209>

*VOR (version of record)



Published in final edited form as:

J Biomech Eng. 2006 December ; 128(6): 844–851. doi:10.1115/1.2354209.

Validation of CFD Simulations of Cerebral Aneurysms With Implication of Geometric Variations

Yiemeng Hoi,

Department of Mechanical and Aerospace Engineering, University at Buffalo, Buffalo, NY 14260

Toshiba Stroke Research Center, University at Buffalo, Buffalo, NY 14260

Scott H. Woodward,

Department of Mechanical and Aerospace Engineering, University at Buffalo, Buffalo, NY 14260

Toshiba Stroke Research Center, University at Buffalo, Buffalo, NY 14260

Minsuok Kim,

Department of Mechanical and Aerospace Engineering, University at Buffalo, Buffalo, NY 14260

Toshiba Stroke Research Center, University at Buffalo, Buffalo, NY 14260

Dale B. Taulbee, and

Department of Mechanical and Aerospace Engineering, University at Buffalo, Buffalo, NY 14260

Hui Meng

Department of Mechanical and Aerospace Engineering, University at Buffalo, Buffalo, NY 14260

Toshiba Stroke Research Center, University at Buffalo, Buffalo, NY 14260

Department of Neurosurgery, University at Buffalo, Buffalo, NY 14260

Yiemeng Hoi: ; Scott H. Woodward: ; Minsuok Kim: ; Dale B. Taulbee: ; Hui Meng: huimeng@eng.buffalo.edu

Background

Computational fluid dynamics (CFD) simulations using medical-image-based anatomical vascular geometry are now gaining clinical relevance. This study aimed at validating the CFD methodology for studying cerebral aneurysms by using particle image velocimetry (PIV) measurements, with a focus on the effects of small geometric variations in aneurysm models on the flow dynamics obtained with CFD. Method of Approach. An experimental phantom was fabricated out of silicone elastomer to best mimic a spherical aneurysm model. PIV measurements were obtained from the phantom and compared with the CFD results from an ideal spherical aneurysm model (S1). These measurements were also compared with CFD results, based on the geometry reconstructed from three-dimensional images of the experimental phantom. We further performed CFD analysis on two geometric variations, S2 and S3, of the phantom to investigate the effects of small geometric variations on the aneurysmal flow field. Results. We found poor agreement between the CFD results from the ideal spherical aneurysm model and the PIV measurements from the phantom, including inconsistent secondary flow patterns. The CFD results based on the actual phantom geometry, however, matched well with the PIV measurements. CFD of models S2 and S3 produced qualitatively similar flow fields to that of the phantom but quantitatively significant changes in key hemodynamic parameters such as vorticity, positive circulation, and wall shear stress. Conclusion. CFD simulation results can closely match experimental measurements as long as both are performed on the same model geometry. Small geometric variations on the aneurysm model can significantly alter the flow-field

and key hemodynamic parameters. Since medical images are subjected to geometric uncertainties, image-based patient-specific CFD results must be carefully scrutinized before providing clinical feedback.

Keywords

computational fluid dynamics; CFD validations; particle image velocimetry; aneurysm; circulation; hemodynamics; geometric uncertainties

Introduction

Flow dynamics is a key player in the initiation and progression of vascular diseases such as atherosclerosis and cerebral aneurysms [1–4]. Numerous hemodynamic parameters, such as wall shear stress (WSS), pressure, oscillatory shear index, wall shear stress gradient, impingement size on the arterial wall, and residence time of blood, have been postulated to indicate the tendency for initiation or progression of these vascular pathologies and to evaluate the effectiveness of medical devices in the treatments of such diseases [1–4]. However, *in vivo* measurements of these hemodynamic parameters for patients are difficult and often cost prohibitive. The combination of noninvasive diagnostic tools (e.g. MRI, CT, or ultrasound) and image-based computational fluid dynamics (CFD) techniques provides an alternative to *in vivo* measurements to estimate these patient-specific hemodynamic parameters [5–12]. Such image-based CFD analysis has the potential to provide key hemodynamic feedback for prospective studies of vascular diseases and to plan for individual therapeutic options [6,11, 13].

Although the application of image-based CFD is rapidly advancing, the ever-present uncertainties in CFD analysis need to be evaluated. In particular, CFD outputs such as WSS or WSS gradients are extremely sensitive to the acquired *in vivo* geometry. The accuracy and reproducibility of the image-based CFD geometries depend on the orientation of the subject, physiological condition of the subject, variation in vascular structure, contrast-media injection techniques, and operator-dependent decisions in converting the medical images to CFD models [14,15]. Such variations produce poor geometric renditions that can generate as much as 60% variation in hemodynamic parameters obtained using CFD, especially in complex flow regions such as bifurcation apexes, anastomoses, flow separation zones, and aneurysm inflow zones [8,15–17]. Smoothing can reduce poor geometric renditions [16], but the process is somewhat subjective, resulting in an unknown deviation from the true *in vivo* geometry and subsequent *in vitro* and CFD models. In addition, the validity of CFD results relies heavily on both temporal and spatial boundary conditions [17–19], which are not routinely available in clinical practice. Significant efforts have been made to improve image-based CFD techniques [8,14,16,20–22], but there have been insufficient efforts to validate the CFD results with experiments.

In vitro experimental studies have often been employed to investigate the hemodynamics of vascular diseases and mechanical treatment devices, as well as assisting the development of CFD techniques. Rhee et al. and Imbesi et al. explored the influence of aneurysm geometry and intervention through flow visualization techniques [23,24]. Particle image velocimetry (PIV) and particle tracking velocimetry have been utilized to study the influence of intervention on aneurysmal flow [25–29]. Direct *in vivo* measurements of blood flow through x-ray imaging, MRI, and ultrasound techniques have also been explored [10,30–33]. MRI and ultrasound allow noninvasive measurement of instantaneous velocities in the 3D domain. Based on the field data, velocity gradients and strain rates are obtained to determine shear stresses and shear stress gradients. However, to date, *in vitro* studies have been limited to 2D flow fields and scaled-up models that provide optical access. These studies experience

significant difficulties in reproducing the in vivo geometries [23] and in vivo biological environments. Direct in vivo measurements pose technical shortcomings, such as inadequate resolutions to derive the flow velocity near the wall, uncertainties in wall positions and insufficient velocity vectors to estimate the derivatives in complex flow regions [10,11,30, 31,34–36].

One of the clinical applications of CFD is cerebral vascular diseases such as cerebral aneurysms. Subarachnoid hemorrhage following cerebral aneurysm rupture is often catastrophic, resulting in 12.4% of patient death before patients receive medical attention [37]. Recent studies using aneurysm geometry to predict the risks of aneurysm rupture relied heavily on the imaged aneurysm geometry [38–41]. Prospective patient-specific aneurysm studies that combine medical imaging, CFD analysis, and knowledge of biological responses to hemodynamics forces can provide insight into the hemodynamics of cerebral aneurysms, scientific assessments on therapeutic planning and, ultimately, positive clinical outcomes. However, quantitative validation of image-based CFD analysis against experimental and in vivo data has, to date, not been fully addressed. Following a prior CFD study, which focused on the characteristics of the hemodynamics in an aneurysm located on a curved vessel [42], a PIV validation effort was undertaken in our lab, leading to the investigation of flow sensitivity to aneurysm geometric variations. The goals of this study were to validate our CFD results with PIV experiments using an experimental aneurysm phantom and to quantify the influence of geometric variations on the aneurysmal flow dynamics.

Method of Approach

Aneurysm Phantom Creation

A negative mold intended to mimic a spherical aneurysm was fabricated. A low melting temperature, i.e., 70°C, alloy (Cerro[®]), was cast into the mold, resulting in a positive image of the vasculature. Silicone elastomer, Sylgard[®] 184 (Dow Chemical), was cast around the Cerro[®]. The Cerro[®] was then melted out, resulting in a high quality optically accessible silicone model for PIV measurement and micro-cone-beam computer tomography (micro-CT) scanning. The dimensions of the aneurysm phantom were carefully measured. Evidently, the created phantom aneurysm was not a perfect sphere. Rather, it was slightly oblate, with the major diameter parallel to the major axis of the aneurysm orifice. Its minor diameter was 10% or 2.32 mm less than the major diameter. Such geometric imperfections arose due to tolerances in the mold fabrication and casting processes.

Reconstruction of Experimental Phantom

To conduct a CFD analysis of the experimental aneurysm phantom, we used a micro-CT system that was developed in-house to scan and reconstruct the lumen of the phantom [43–47]. With the high-resolution micro-CT system, images of phantoms were acquired at a resolution of approximately 43 μm at 2° intervals for the full 360° of rotation [43–47]. The images were processed to reconstruct the 3D lumen of the phantom [45,46]. We compared the dimensions of the reconstructed aneurysm model with the original phantom and found insignificant differences between them. The micro-CT reconstructed phantom geometry was then used as input for the CFD analysis of the model (Fig. 1).

Flow Loop and PIV Experiment

We performed a series of PIV experiments on the phantom to validate the CFD analysis of this model. A schematic diagram of the flow loop is shown in Fig. 2. An ultrasonic flow meter (Transonic, NY) was located in the parent vessel downstream from the phantom to measure the steady-state flow rate. The refraction of the light sheet passing through the complex, curved model surfaces was eliminated by fine tuning a 60% glycerine and 40% distilled water mixture.

The working fluid was seeded with fluorescent particles (diameter 10–20 μm , Dantec, Denmark, ~ 30 particles/ mm^3) in the PIV measurements.

A continuous laser beam that was generated by an Argon laser passed through a Bragg cell to generate double laser pulses (~ 2 ms apart). The laser light then passed through a cylindrical lens to create a light sheet with a thickness of approximately 1 mm. The light sheet intercepted the phantom and illuminated the fluorescent particles in the test region. A digital CCD camera (1280×1024 pixels) was placed perpendicular to the light sheet. To increase the signal-to-noise ratio, a 580-nm filter was placed in front of the camera to capture the fluorescing particle signals. The displacement of particles (approximately 10 pixels) over the double-pulse interval was computed from the 250 image pairs for every interrogation cell (40×40 pixels) using the Provision PIV image-processing program (IDT, Florida). Two sets of measurements were made with PIV, the first on the meridian plane (Plane Z) and the second on the three horizontal planes (Planes A, B, and C) (Fig. 1). Plane B is located on the major axis of the aneurysm dome. Plane A is $0.25d$ below Plane B, and Plane C is $0.25d$ above Plane B, where d is the major diameter of the aneurysm. Our PIV measurements yielded consistent results over repeated experiments. Numerous additional planes and orientations (not discussed here) were obtained to further validate the CFD results.

CFD Technique

Commercial mesh generation software (ICEM-CFD, NY) was used to generate hybrid meshes, consisting of both prism and tetrahedral grids. The Navier-Stokes equations were solved using commercial finite volume software (StarCD[®], CD-adapco, NY) with second-order accuracy. Grid independence was achieved with several refinements of grids, resulting in a grid size of approximately 0.5 mm with 600,000 cells. Near the wall, we refined the grids to 0.05 mm in order to better capture the near wall flow dynamics. We assumed steady state, incompressible, laminar flow of a Newtonian fluid in a rigid wall model. A fluid density of 1151 kg/m^3 and viscosity of 12.88 cP, which were the same as the PIV experimental values, were used in the CFD simulation. These fluid properties were not aimed at matching those of blood but, rather, to match the index of refraction of the phantom model in the PIV experiment. We then used the same fluid properties in the CFD simulations to enable direct comparison with the PIV results. A Reynold's number of 160 in the parent vessel, typical of cerebral circulation, was used in all CFD simulations and PIV experiments. To account for the differences in fluid properties between the experiment and physiological condition, the equivalent physiological WSS values were calculated from the WSS values using the CFD simulations according to the laws of fluid dynamic similarity

$$\tau_{\text{wss,physio}} = \frac{\rho_F}{\rho_B} \left(\frac{\mu_B}{\mu_F} \right)^2 \tau_{\text{wss,CFD}} \quad [\text{dyn/cm}^2], \quad (1)$$

where $\tau_{\text{wss,physio}}$ is physiological WSS value; $\tau_{\text{wss,CFD}}$ is WSS value from CFD results; ρ is density; μ is viscosity; subscripts B and F denote the properties of blood and working fluid in CFD simulations, respectively.

To evaluate the flow differences between models, we calculated the positive circulation in each of the planes of interest. The values of CFD-derived hemodynamic parameters were given as a percentage difference from the PIV measured values in the phantom. The percentage differences in the hemodynamic parameters were calculated based on the differences in hemodynamic parameters between the aneurysm models and phantom, reference to the phantom.

CFD Aneurysm Geometries

To explore flow sensitivity in aneurysm geometric variations, three idealized aneurysm geometries were investigated using CFD in addition to the reconstructed phantom. These included an ideal spherical aneurysm (S1) and two slightly oblate spheroid aneurysms (S2 and S3) that were similar to the experimental phantom. All of the aneurysms were located on an identical cylindrical curved parent vessel. The parent vessel diameter was 4.75 mm, the parent vessel curvature was 0.0667 mm^{-1} , and the aneurysm neck size (major axis of the orifice) was 12.56 mm. The geometric parameters of all four models are given in Table 1.

The major diameter was measured on the major axis of the spheroid, parallel to the major axis of the aneurysm orifice. Aneurysm S1 was a perfect sphere. Aneurysm S2 had the same major and minor diameters as the experimental phantom. Aneurysm S3 had the same volume as the experimental phantom. Both S2 and S3 had the same neck size as the phantom. The other geometric parameters were kept unchanged from the phantom.

Flow Parameters

To compare the flow fields in the phantom from the PIV measurements with the flow fields in the aneurysm geometries from the CFD results, we evaluated important flow parameters that could be obtained from the PIV measurements. The PIV results only provided the in-plane velocity vectors of the phantom geometry. From these in-plane velocity vectors, we derived the vorticity contours of the phantom geometry. Similarly, from the CFD results, we also plotted the velocity vectors and vorticity contours of all the aneurysm models and compared them against the PIV results (Figs. 3–5). Moreover, a global, physically meaningful, and easily measurable flow quantity would facilitate a simple definitive comparison between the flow fields in different aneurysm models. To this end, we considered the positive circulation (Γ_+) in each plane of interest. The positive circulation is defined as

$$\Gamma_+ = \int [(\nabla \times \mathbf{V}) \cdot \hat{\mathbf{n}}]_{\text{positive}} dA \text{ [m}^2/\text{s]} \quad (2)$$

where \mathbf{V} is the velocity and $\hat{\mathbf{n}}$ is the normal vector to the plane enclosed by the boundary. The integration path was along the aneurysm boundary. We chose to measure only the positive circulation and not the total circulation enclosed by the aneurysm wall, since the latter is inevitably zero due to the zero velocity at the wall. Negative circulation has a different direction but the same magnitude as positive circulation. The positive circulation is a measure of the strength of the counterclockwise vortices in the plane and is a direct measure of the integrated counterclockwise rotation of the aneurysmal flow. Finally, we compared the values of positive circulation in different planes and used them as a measure of the differences in flow patterns as a result of geometric variations.

Results and Discussion

Validation of CFD of an Ideal Spherical Aneurysm Model Using an Imperfect Phantom

In our initial attempt to validate our CFD results of the ideal spherical aneurysm S1, we conducted PIV measurements on the phantom, which were intended to mimic S1. The CFD results on S1 and the PIV results on the phantom are compared in the top two rows of Fig. 3. As seen from their velocity fields in the meridian plane Z (Fig. 3(a)), in both cases, flow entered the aneurysm at the distal neck, formed a coherent vortex, and exited the aneurysm at the proximal neck. This primary flow structure is consistent with observations by other researchers [26,27]. Furthermore, our PIV result in Plane B of the phantom also revealed pronounced secondary flow structures in the aneurysm cavity as shown in the second row of Fig. 3(b). Here,

a secondary flow impinged on the distal side of the aneurysm wall, split symmetrically, and rolled up into a pair of counter-rotating vortices situated near the distal side of the aneurysm. Next to these counter-rotating vortices, weak tertiary vortex structures can be seen. These structures were quite different from the CFD results for S1, where these impingement-roll-up type of structures were absent in the velocity field in Plane B (Fig. 3(b), top row). To identify vortex structures more precisely, we plotted vorticity contours in Plane B for all models (Fig. 3(c)). The vortices in Plane B of S1 (Fig. 3(c), top row) were much weaker than the vortices in Plane B of phantom (PIV) (Fig. 3(c), second row).

Further quantitative comparisons between the idealized spherical aneurysm and experimental phantom were made for Planes A and C as well. Figure 4 shows the vorticity contours in Planes A, B and C, with the top two rows being S1 (CFD) and the phantom (PIV). It is clear that the dominant vortex structures in S1 were weaker than those in the phantom in Planes A to C parallel to the orifice. The positive circulation values in S1 were significantly smaller as compared to the values in the phantom geometry in Planes A to C. The differences in positive circulations between the two models, normalized by the value of the phantom (PIV), are given in Table 2, second column.

Besides comparisons of the in-plane vorticity contours and positive circulation, which highlighted the secondary flow structure in horizontal planes, we also examined the primary aneurysmal flow structure in the meridian plane Z. In Fig. 5, we plotted the magnitude of the vertical velocity component in Plane Z along three horizontal lines marked as A, B, and C, obtained from intersection with Planes A, B, and C. A solid line represents the phantom (PIV) results, while closed circles represent the S1 (CFD) results. Clearly, the phantom (PIV) had a stronger flow on both the upward motion on the distal side and the downward motion on the proximal side (Figs. 5(b) and 5(c)).

We postulated that the discrepancies observed in the flow between the CFD of S1 and the PIV measurements were caused mostly by the different geometries of S1 and the experimental phantom. Therefore, if one relies on experimental measurements of an imperfect replica of the computational geometry to validate CFD simulations, the comparison results will be confusing and probably misleading.

Validation of CFD Results Using Actual Phantom Geometry

With a focus on checking the validity of our CFD techniques, we eliminated the geometric inconsistencies by performing CFD simulations on the phantom geometry itself. The computational geometry was obtained from micro-CT imaging of the phantom [44,45,47,48]. The geometric differences between the reconstructed aneurysm model and the original phantom were insignificant. The CFD results of the phantom geometry were then validated against PIV measurements.

As shown in Fig. 3, the CFD results of the phantom (Fig. 3, third row) captured the same primary and secondary vortex flow patterns as the PIV measurements (Fig. 3, second row), providing much better agreement with the PIV measurements than the CFD did for the S1 geometry. Furthermore, we plotted the vorticity contours and the values of positive circulation of the phantom (CFD) in Planes A, B, and C in the third row of Fig. 4. Their agreement with the PIV measurements was also quite good. Differences in the positive circulation between the CFD and PIV results of the phantom in these planes are given in the third column of Table 2. In addition, we plotted the magnitude of the vertical velocity component along lines A, B, and C in Plane Z for the phantom (CFD) in the dashed lines in Fig. 5. Clearly, it agreed very well with the PIV measurements (solid lines). From these comparisons, we are confident that our CFD provided a reasonably accurate description of the aneurysmal flow in the experimental geometry.

Exact agreement between CFD and PIV results is nearly impossible due to experimental uncertainties. For example, there could be misalignment in the positions and orientations of the planes of interest in the PIV and CFD results. Further reduction in the discrepancies between the CFD and PIV results of the phantom would be difficult and not worth pursuing.

Sensitivity to Small Geometric Variations

To study the sensitivity of flow to small geometric variations, we conducted CFD analysis on two variations of the phantom (S2 and S3) and compared these results with the PIV measurements of the original phantom. Results were displayed in the bottom two rows in Fig. 3 and 4 and plotted in Fig. 5 using crosses and open circles. From these plots, we could see gross similarity among phantom (PIV), phantom (CFD), S2 (CFD), and S3 (CFD). All of these aneurysm models presented a pair of counter-rotating vortices in Planes A, B, and C with consistent signs. In Fig. 4, the values of positive circulation in all aneurysm models decreased from Plane A to C. Such distributions of positive circulation showed that the strength of the secondary flow became weaker and the vortices were damped as the flow moved further away from the aneurysm neck towards the aneurysm dome. Despite the similarity in flow field among the phantom, S2 and S3, differences were revealed in closer examinations.

In S2, the volume of the aneurysm cavity was 8% less than that of the phantom. Its positive circulations in Planes A, B, and C were 42%, 37%, and 23% less than the phantom (PIV), respectively (Table 2). In S3, both the major and minor diameters were 2% more than those of the phantom (PIV) and its positive circulations were 21%, 11%, and 9% less than the phantoms in Planes A to C, respectively (Table 2).

Because of its significance in vascular remodeling and pathogenesis, we further examined WSS from the CFD results of the phantom, S2 and S3. We found that the maximum WSS was located at the distal side of the aneurysm neck in all models, but the values differ significantly, as shown in Table 3. Model S2, although having the same major and minor diameters of the phantom, produced greater differences in maximum WSS than model S3. Upon closer examination of the orifice shapes, we found that the orifice shape of S3 is actually closer to the phantom, despite that its orifice size is slightly larger than both the phantom and S2. This shows that WSS is very sensitive to the local geometry shape.

Although the geometric differences among S2, S3, and the phantom were rather small, variations in the flow-field and the hemodynamic parameters from the CFD results were quite appreciable. Between S2 and S3, we found that S3 (which preserved the volume of the phantom) had a flow field, positive circulation, and WSS that were closer to those of the phantom.

Importance of Geometry

Our data illustrate the importance of producing an exact experimental replica of the computational geometry for validation. A slight geometrical variation in the experimental replica can result in appreciable changes in the flow field and even more in velocity derivatives and hemodynamic parameters. Near-wall hemodynamic parameters such as WSS are especially sensitive to variations in geometry [17,49]. Thus, to validate the CFD results, it is important to adopt the correct geometry. In addition, clinical diagnostic imaging techniques and the process of image reconstruction may also remove small details from the true vascular geometry [9,16,20,21,40]. Such differences between the image-based CFD geometry and the true vascular geometry could easily exceed the differences among the experimental phantom, S1, S2, and S3 in this study. Consequently, the CFD analysis of patient-specific geometry may not accurately predict the in vivo hemodynamic values [16,21,50]. If clinicians are to be guided

by image-based CFD results, reasonable bounds need to be placed on the accuracy of such feedback.

Inherent Limitations of CFD

CFD techniques have other inherent limitations besides the high sensitivity to geometry, which our results underscore. The finite number of grids is unable to fully resolve the actual surface of the model. Inaccurate pulsatile waveforms used as boundary conditions, rigid wall assumptions, uncertainties in flow rate among the vessel branches, limited accuracy of the algorithms, inadequate temporal resolution in pulsatile flow, and the Newtonian fluid assumptions may all affect the accuracy of CFD results to various degrees [6,19,35,13]. However, computational geometry is the single most important factor in determining the accuracy of flow-field predictions [6,8,35,50]. The validity of image-based CFD results relies on whether the computational domain accurately represents the anatomy of vasculature. Any manual or semi-automatic process in constructing the geometry from medical images can introduce geometric variations [9,20,21,33]. Hence, validation of patient image-based CFD results is particularly challenging due to geometric uncertainties.

Conclusions

Our CFD results on the aneurysm phantom compared very well with PIV measurements. CFD simulation results can closely match by experimental measurements, as long as both were performed on the same model. Small geometric variations on the aneurysm model can significantly alter the flow-field and key hemodynamic parameters. Since medical images are subjected to geometric uncertainties, image-based patient-specific CFD results must be carefully scrutinized before providing clinical feedback.

Acknowledgments

We gratefully acknowledge Ciprian Ionita, Ph.D., Kenneth Hoffmann, Ph.D., and Rekha Tranquebar for assistance in image reconstruction, Lujie Cao for assistance in PIV measurements and Joanne Smith for assistance in editing. This material is based upon work supported by the National Science Foundation under Grant BES-0302389 and the National Institute of Health under Grants 1K25-NS047242, 1R01-EB002873, and 1R01-NS043924.

References

1. Ku DN. Blood Flow in Arteries. *Annu Rev Fluid Mech* 1997;29:399–434.
2. Burleson AC, Turitto VT. Identification of Quantifiable Hemodynamic Factors in the Assessment of Cerebral Aneurysm Behavior. On Behalf of the Subcommittee on Biorheology of the Scientific and Standardization Committee of the ISTH. *Thromb Haemostasis* 1996;76(1):118–123. [PubMed: 8819263]
3. Gibson CM, Diaz L, Kandarpa K, Sacks FM, Pasternak RC, Sandor T, Feldman C, Stone PH. Relation of Vessel Wall Shear Stress to Atherosclerosis Progression in Human Coronary Arteries. *Arterioscler Thromb* 1993;13(2):310–315. [PubMed: 8427866]
4. Malek AM, Alper SL, Izumo S. Hemodynamic Shear Stress and Its Role in Atherosclerosis. *JAMA J Am Med Assoc* 1999;282(21):2035–2042.
5. Cebal JR, Yim PJ, Lohner R, Soto O, Choyke PL. Blood Flow Modeling in Carotid Arteries With Computational Fluid Dynamics and MR Imaging. *Acad Radiol* 2002;9(11):1286–1299. [PubMed: 12449361]
6. Cebal JR, Castro MA, Appanaboyina S, Putman CM, Millan D, Frangi AF. Efficient Pipeline for Image-Based Patient-Specific Analysis of Cerebral Aneurysm Hemodynamics: Technique and Sensitivity. *IEEE Trans Med Imaging* 2005;24(4):457–467. [PubMed: 15822804]
7. Jou LD, Quick CM, Young WL, Lawton MT, Higashida R, Martin A, Saloner D. Computational Approach to Quantifying Hemodynamic Forces in Giant Cerebral Aneurysms. *AJNR Am J Neuroradiol* 2003;24(9):1804–1810. [PubMed: 14561606]

8. Glor FP, Long Q, Hughes AD, Augst AD, Ariff B, Thom SA, Verdonck PR, Xu XY. Reproducibility Study of Magnetic Resonance Image-Based Computational Fluid Dynamics Prediction of Carotid Bifurcation Flow. *Ann Biomed Eng* 2003;31(2):142–151. [PubMed: 12627821]
9. Glor FP, Ariff B, Hughes AD, Verdonck PR, Thom SA, Barratt DC, Xu XY. Operator Dependence of 3-D Ultrasound-Based Computational Fluid Dynamics for the Carotid Bifurcation. *IEEE Trans Med Imaging* 2005;24(4):451–456. [PubMed: 15822803]
10. Steinman DA, Thomas JB, Ladak HM, Milner JS, Rutt BK, Spence JD. Reconstruction of Carotid Bifurcation Hemodynamics and Wall Thickness Using Computational Fluid Dynamics and MRI. *Magn Reson Med* 2002;47(1):149–159. [PubMed: 11754454]
11. Steinman DA, Milner JS, Norley CJ, Lownie SP, Holdsworth DW. Image-Based Computational Simulation of Flow Dynamics in a Giant Intracranial Aneurysm. *AJNR Am J Neuroradiol* 2003;24(4):559–566. [PubMed: 12695182]
12. Steinman DA, Vorp DA, Ethier CR. Computational Modeling of Arterial Biomechanics: Insights Into Pathogenesis and Treatment of Vascular Disease. *J Vasc Surg* 2003;37(5):1118–1128. [PubMed: 12756364]
13. Hassan T, Timofeev EV, Saito T, Shimizu H, Ezura M, Tominaga T, Takahashi A, Takayama K. Computational Replicas: Anatomic Reconstructions of Cerebral Vessels as Volume Numerical Grids at Three-Dimensional Angiography. *AJNR Am J Neuroradiol* 2004;25(8):1356–1365. [PubMed: 15466332]
14. Thomas JB, Milner JS, Rutt BK, Steinman DA. Reproducibility of Image-Based Computational Fluid Dynamics Models of the Human Carotid Bifurcation. *Ann Biomed Eng* 2003;31(2):132–141. [PubMed: 12627820]
15. Ernemann UU, Gronewaller E, Duffner FB, Guervit O, Claassen J, Skalej MD. Influence of Geometric and Hemodynamic Parameters on Aneurysm Visualization During Three-Dimensional Rotational Angiography: an in vitro Study. *AJNR Am J Neuroradiol* 2003;24(4):597–603. [PubMed: 12695187]
16. Moore JA, Steinman DA, Ethier CR. Computational Blood Flow Modelling: Errors Associated With Reconstructing Finite Element Models From Magnetic Resonance Images. *J Biomech* 1998;31(2):179–184. [PubMed: 9593213]
17. Augst AD, Barratt DC, Hughes AD, Glor FP, Mc GTSA, Xu XY. Accuracy and Reproducibility of CFD Predicted Wall Shear Stress Using 3D Ultrasound Images. *ASME J Biomech Eng* 2003;125(2):218–222.
18. Glor FP, Westenberg JJ, Vierendeels J, Danilouchkine M, Verdonck P. Validation of the Coupling of Magnetic Resonance Imaging Velocity Measurements With Computational Fluid Dynamics in a U Bend. *Artif Organs* 2002;26(7):622–635. [PubMed: 12081521]
19. Oshima M, Sakai H, Torii R. Modelling of Inflow Boundary Conditions for Image-Based Simulation of Cerebrovascular Flow. *Int J Numer Methods Fluids* 2005;47:6–7. 603–617.
20. Moore JA, Rutt BK, Karlik SJ, Yin K, Ethier CR. Computational Blood Flow Modeling Based on in vivo Measurements. *Ann Biomed Eng* 1999;27(5):627–640. [PubMed: 10548332]
21. Moore JA, Steinman DA, Holdsworth DW, Ethier CR. Accuracy of Computational Hemodynamics in Complex Arterial Geometries Reconstructed From Magnetic Resonance Imaging. *Ann Biomed Eng* 1999;27(1):32–41. [PubMed: 9916758]
22. Moore JA, Steinman DA, Prakash S, Johnston KW, Ethier CR. A Numerical Study of Blood Flow Patterns in Anatomically Realistic and Simplified End-to-Side Anastomoses. *ASME J Biomech Eng* 1999;121(3):265–272.
23. Imbesi SG, Kerber CW. Analysis of Slipstream Flow in a Wide-Necked Basilar Artery Aneurysm: Evaluation of Potential Treatment Regimens. *AJNR Am J Neuroradiol* 2001;22(4):721–724. [PubMed: 11290486]
24. Rhee K, Han MH, Cha SH. Changes of Flow Characteristics by Stenting in Aneurysm Models: Influence of Aneurysm Geometry and Stent Porosity. *Ann Biomed Eng* 2002;30(7):894–904. [PubMed: 12398420]
25. Byun HS, Rhee K. Intraaneurysmal Flow Changes Affected by Clip Location and Occlusion Magnitude in a Lateral Aneurysm Model. *Med Eng Phys* 2003;25(7):581–589. [PubMed: 12835071]

26. Lieber BB, Livescu V, Hopkins LN, Wakhloo AK. Particle Image Velocimetry Assessment of Stent Design Influence on Intra-Aneurysmal Flow. *Ann Biomed Eng* 2002;30(6):768–777. [PubMed: 12220077]
27. Yu SC, Zhao JB. A Steady Flow Analysis on the Stented and Non-Stented Sidewall Aneurysm Models. *Med Eng Phys* 1999;21(3):133–141. [PubMed: 10468355]
28. Liou TM, Liou SN. A review on in vitro Studies of Hemodynamic Characteristics in Terminal and Lateral Aneurysm Models. *Proc Natl Sci Coun Repub China B* 1999;23(4):133–148. [PubMed: 10518314]
29. Liou TM, Liou SN, Chu KL. Intra-Aneurysmal Flow With Helix and Mesh Stent Placement Across Side-Wall Aneurysm Pore of a Straight Parent Vessel. *ASME J Biomech Eng* 2004;126(1):36–43.
30. Kohler U, Marshall I, Robertson MB, Long Q, Xu XY, Hoskins PR. MRI Measurement of Wall Shear Stress Vectors in Bifurcation Models and Comparison With CFD Predictions. *J Magn Reson Imaging* 2001;14(5):563–573. [PubMed: 11747008]
31. Holdsworth DW, Norley CJ, Frayne R, Steinman DA, Rutt BK. Characterization of Common Carotid Artery Blood-Flow Waveforms in Normal Human Subjects. *Physiol Meas* 1999;20(3):219–240. [PubMed: 10475577]
32. Ku JP, Elkins CJ, Taylor CA. Comparison of CFD and MRI Flow and Velocities in an in vitro Large Artery Bypass Graft Model. *Ann Biomed Eng* 2005;33(3):257–269. [PubMed: 15868717]
33. Glor FP, Ariff B, Crowe LA, Hughes AD, Cheong PL, Thom SA, Verdonck PR, Firmin DN, Barratt DC, Xu XY. Carotid Geometry Reconstruction: a Comparison Between MRI and Ultrasound. *Med Phys* 2003;30(12):3251–3261. [PubMed: 14713092]
34. Masaryk AM, Frayne R, Unal O, Krupinski E, Strother CM. In vitro and in vivo Comparison of Three MR Measurement Methods for Calculating Vascular Shear Stress in the Internal Carotid Artery. *AJNR Am J Neuroradiol* 1999;20(2):237–245. [PubMed: 10094344]
35. Steinman DA. Image-Based Computational Fluid Dynamics Modeling in Realistic Arterial Geometries. *Ann Biomed Eng* 2002;30(4):483–497. [PubMed: 12086000]
36. Long Q, Xu XY, Ariff B, Thom SA, Hughes AD, Stanton AV. Reconstruction of Blood Flow Patterns in a Human Carotid Bifurcation: A Combined CFD and MRI Study. *J Magn Reson Imaging* 2000;11(3):299–311. [PubMed: 10739562]
37. Huang J, van Gelder JM. The Probability of Sudden Death From Rupture of Intracranial Aneurysms: a Meta-Analysis. *Neurosurgery* 2002;51(5):1101–1107. [PubMed: 12383354]
38. Millán, RD.; Hernandez, M.; Gallardo, D.; Cebal, JR.; Putman, CM.; Dempere-Marco, L.; Frangi, AF. *Proc SPIE*. Vol. 5747. 2005. Characterization of Cerebral Aneurysms Using 3D Moment Invariants; p. 743-754.
39. Jou LD, Wong G, Dispensa B, Lawton MT, Higashida RT, Young WL, Saloner D. Correlation Between Lumenal Geometry Changes and Hemodynamics in Fusiform Intracranial Aneurysms. *AJNR Am J Neuroradiol* 2005;26(9):2357–2363. [PubMed: 16219845]
40. Ma B, Harbaugh RE, Raghavan ML. Three-Dimensional Geometrical Characterization of Cerebral Aneurysms. *Ann Biomed Eng* 2004;32(2):264–273. [PubMed: 15008374]
41. Raghavan ML, Ma B, Harbaugh RE. Quantified Aneurysm Shape and Rupture Risk. *J Neurosurg* 2005;102(2):355–362. [PubMed: 15739566]
42. Hoi Y, Meng H, Woodward SH, Bendok BR, Hanel RA, Guterman LR, Hopkins LN. Effects of Arterial Geometry on Aneurysm Growth: Three-Dimensional Computational Fluid Dynamics Study. *J Neurosurg* 2004;101(4):676–681. [PubMed: 15481725]
43. Rudin S, Bednarek D, Chityala R, Dinu P, Hoffmann K, Hussain R, Ionita C, Kyprianou I, Wang Z, Wu Y. High-Resolution Vascular Radiological Imaging. *Med Phys* 2004;31(6):1826–1827.
44. Chityala R, Hoffmann K, Ionita C, Bednarek D, Rudin S. Geometric Calibration of Micro-Cone-Beam CT System. *Med Phys* 2004;31(6):1820.
45. Ionita C, Chityala R, Rudin S, Hoffmann K, Kyprianou I, Bednarek D. Cone-Beam CT of Vessel Phantoms: Comparison of Image Intensifier and High-Resolution Micro-Angiographic Systems. *Med Phys* 2003;30(6):1423.
46. Ionita C, Chityala R, Kyprianou I, Dinu P, Rudin S, Hoffmann K, Bednarek D. LabView Algorithm for Control of Cone Beam Micro-CT Machine. *Med Phys* 2004;31(6):1849.

47. Kyprianou I, Rudin S, Ionita C, Wu Y, Bednarek D, Ganguly A. A High-Resolution Rapid-Sequence Imaging System for Region of Interest Micro-Angiography. *Med Phys* 2002;29(6):1355.
48. Chityala R, Hoffmann K, Ionita C, Rudin S, Bednarek D, Wu Y, Kyprianou I. Micro-Cone-Beam CT for Determination of Stent Coverage of Aneurysm Orifice. *Med Phys* 2003;30(6):1423.
49. Katz IM, Shaughnessy EJ, Cress BB. A Technical Problem in the Calculation of Laminar Flow Near Irregular Surfaces Described by Sampled Geometric Data. *J Biomech* 1995;28(4):461–464. [PubMed: 7738055]
50. Milner JS, Moore JA, Rutt BK, Steinman DA. Hemodynamics of Human Carotid Artery Bifurcations: Computational Studies With Models Reconstructed From Magnetic Resonance Imaging of Normal Subjects. *J Vasc Surg* 1998;28(1):143–156. [PubMed: 9685141]

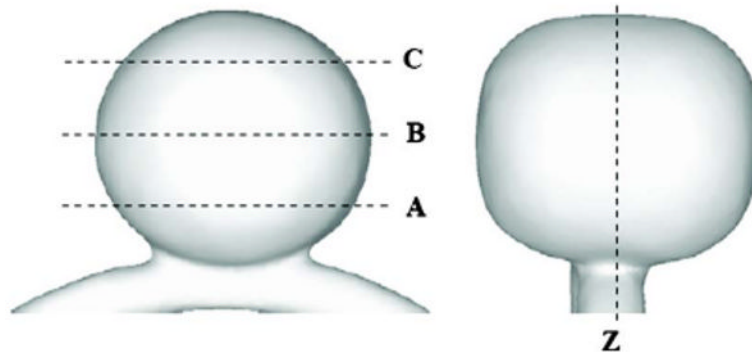


Fig. 1. Geometry of the experimental phantom. A, B, C, and Z denote the PIV imaging planes. Plane Z is the meridian plane. Plane A is $0.25d$ below the center of the aneurysm. Plane B is at the center of the aneurysm, and Plane C is $0.25d$ above the center of aneurysm, where d is the major diameter.

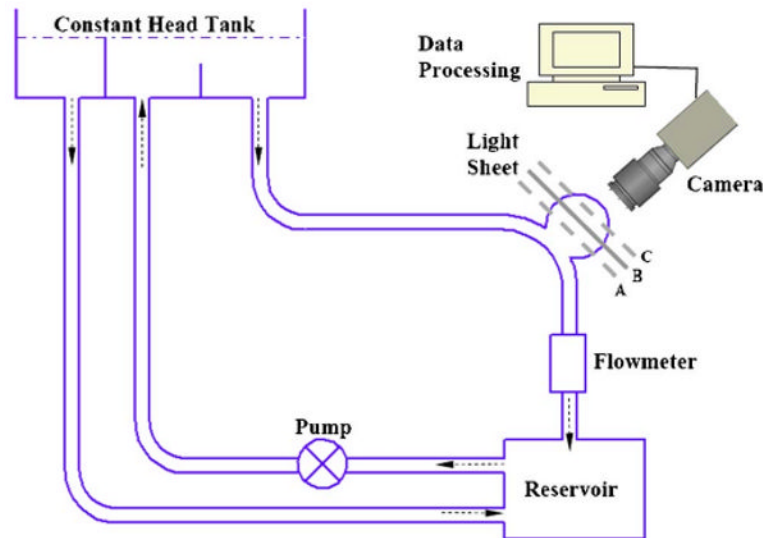


Fig. 2. Schematic diagram of the experimental setup, with Plane B being imaged. Imaging Planes A and C required parallel shifts of the laser light sheet, and imaging Plane Z required turning the model block 90° so that the meridian plane faced the camera.

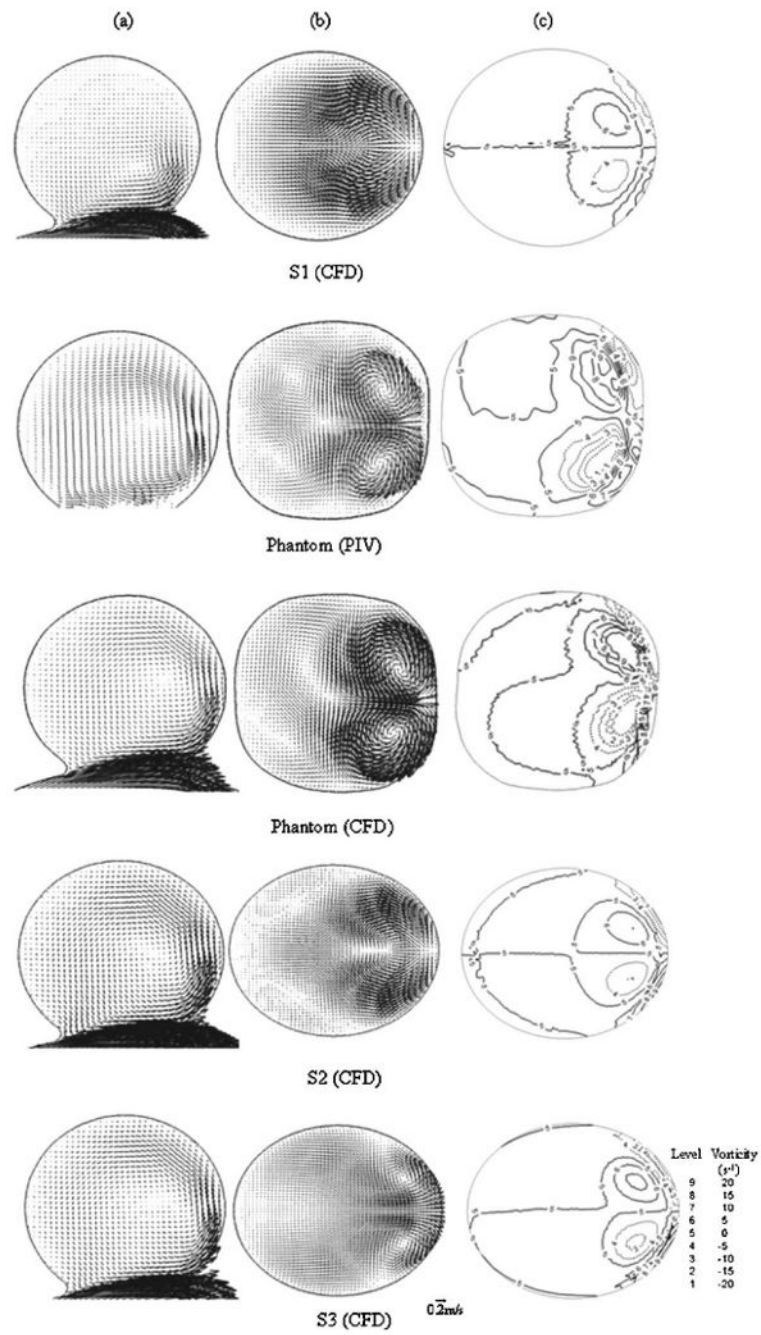


Fig. 3. Comparison of (a) velocity fields in Plane Z, (b) velocity fields, and (c) vorticity contours in Plane B for various models

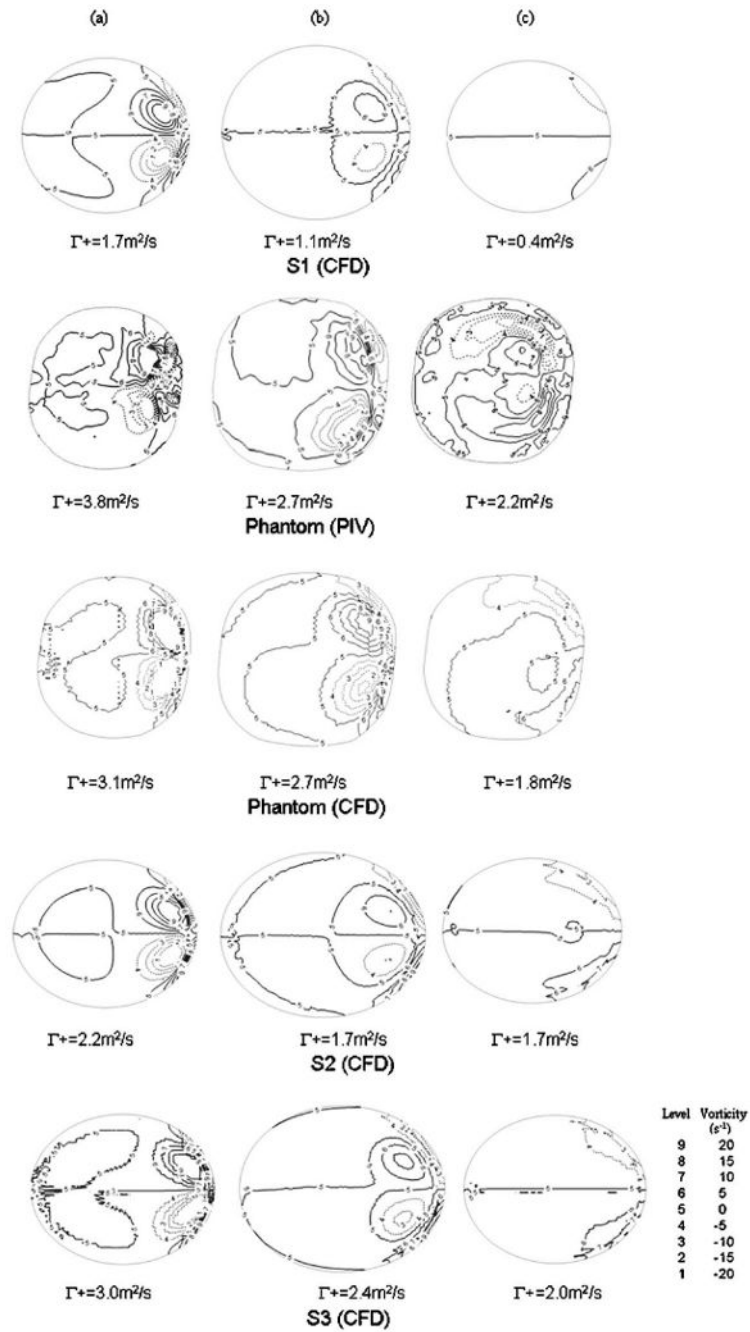


Fig. 4. In-plane vorticity contours and positive circulation values in (a) Plane A, (b) Plane B, and (c) Plane C for various models. (Solid lines represent positive vortex; dashed lines represent negative vortex).

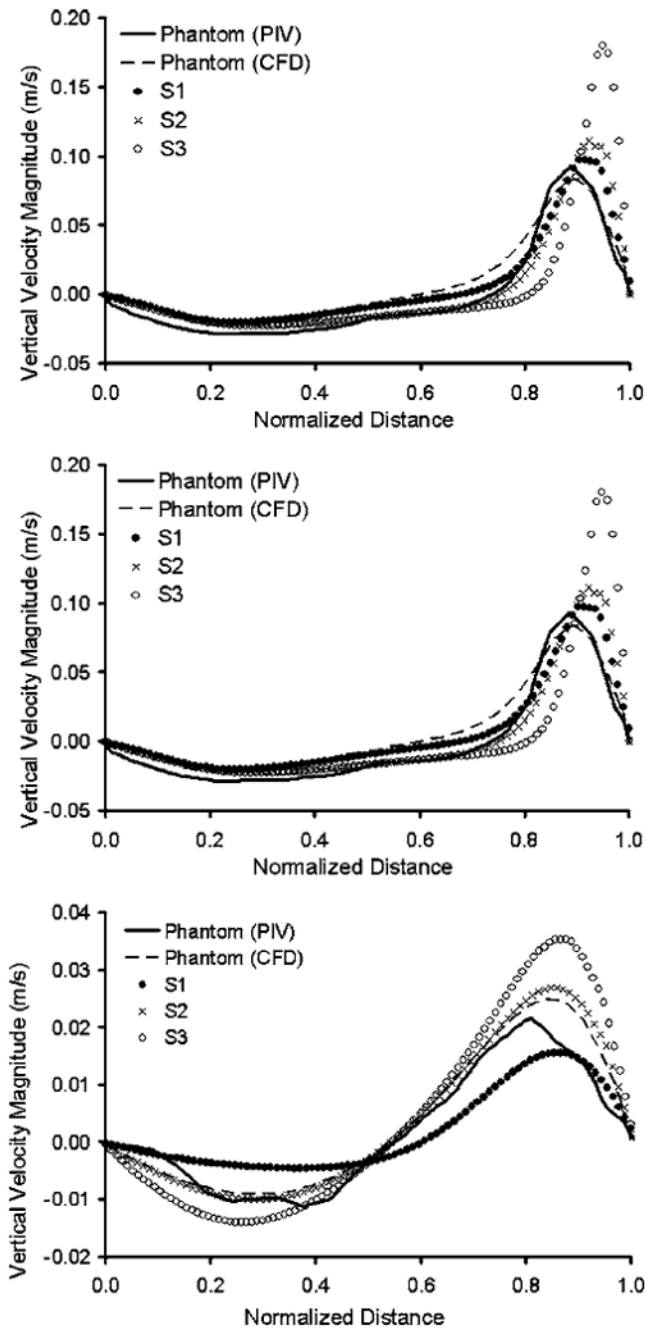


Fig. 5. (a)–(c) Variations of magnitude of vertical velocity component in Plane Z, along three horizontal lines, marked as A, B, and C, obtained from intersection with Planes A, B, and C

Table 1**Dimensions of the aneurysm geometry**

	S1 (Sphere)	Phantom (oblate spheroid)	S2 (oblate spheroid)	S3 (oblate spheroid)
Major aneurysm diameter (mm)	21.30	21.53	21.53	22.00
Minor aneurysm diameter (mm)	21.30	19.21	19.21	19.63
Aneurysm volume (mm ³)	5092	4970	4588	4970

Table 2
Differences in positive circulation between the aneurysm geometries in Planes A, B, and C, normalized by the values in Phantom (PIV)

	S1 vs phantom (PIV)	Phantom (CFD) vs phantom (PIV)	S2 vs phantom (PIV)	S3 vs phantom (PIV)
Plane A	-56%	-18%	-42%	-21%
Plane B	-59%	0%	-37%	-11%
Plane C	-82%	-18%	-23%	-9%

Table 3

Wall shear stress and WSS differences between aneurysm geometries of Phantom, S2 and S3. (WSS values were scaled to physiological conditions.)

	Maximum WSS (dy/cm ²)	Difference with phantom (CFD)
Phantom (CFD)	59.8	
S2 (CFD)	34.7	-42%
S3 (CFD)	42.7	-29%