

Non-Kähler complex structures on \mathbb{R}^4

ANTONIO J DI SCALA

NAOHIKO KASUYA

DANIELE ZUDDAS

We construct the first examples of non-Kähler complex structures on \mathbb{R}^4 . These complex surfaces have some analogies with the complex structures constructed in early Fifties by Calabi and Eckmann on the products of two odd-dimensional spheres. However, our construction is quite different from that of Calabi and Eckmann.

[32Q15](#); [57R40](#), [57R42](#)

1 Introduction

In the early Fifties, Calabi and Eckmann [3] constructed an integrable complex structure on the Cartesian product of odd-dimensional spheres $M_{p,q} = S^{2p+1} \times S^{2q+1}$. These complex manifolds are nothing but complex tori for $p = q = 0$, while for $p \geq 1$ and $q = 0$ (or $p = 0$ and $q \geq 1$), they are Hopf manifolds [9]. It is remarkable that for all non-zero p and q , the manifolds $M_{p,q}$ have been the first examples of simply connected, compact complex manifolds which are not algebraic. Moreover, there is a holomorphic torus bundle $h_{p,q}: M_{p,q} \rightarrow \mathbb{C}\mathbb{P}^p \times \mathbb{C}\mathbb{P}^q$ given by the Hopf fibration on each factor.

By removing a point on each sphere and taking the product, we get an open subset $E_{p,q} \subset M_{p,q}$ which is diffeomorphic to $\mathbb{R}^{2p+2q+2}$. If $p, q \geq 1$, most fibers of the bundle $h_{p,q}$ are contained in $E_{p,q}$. Thus, $E_{p,q}$ contains embedded holomorphic tori. Therefore, it neither admits a Kähler metric, nor can be covered by a single holomorphic coordinate chart. Calabi and Eckmann also proved that the only holomorphic functions on $E_{p,q}$ are the constants.

Definition 1.1 A complex manifold M is said to be of Calabi-Eckmann type if there exist a compact complex manifold X of positive dimension, and a holomorphic immersion $k: X \rightarrow M$ which is null-homotopic as a continuous map.

It follows that a Calabi-Eckmann type complex manifold cannot be tamed by a symplectic form, and in particular it is not Kähler. As a consequence, Stein manifolds, complex algebraic manifolds, and open subsets of \mathbb{C}^n with the induced complex structure, are not of Calabi-Eckmann type.

On the other hand, the manifolds $M_{p,q}$ and $E_{p,q}$ are of Calabi-Eckmann type for $p, q \geq 1$. Notice that \mathbb{R}^4 is not included in this list. Also notice that the Hopf manifolds $M_{p,0} = S^{2p+1} \times S^1$, $p \geq 1$, are not of Calabi-Eckmann type, since their universal cover is $\mathbb{C}^{p+1} - \{0\}$ (cf. Proposition 1.2).

The aim of this article is to construct Calabi-Eckmann type complex structures on \mathbb{R}^4 . This represents a major improvement of our previous result [4], where we constructed a *not integrable* almost complex structure on \mathbb{R}^4 that contains embedded holomorphic tori and an immersed holomorphic sphere with one node. The methods used there have been inspired by previous work of the second author [10, 11] (see also Di Scala and Vezzoni [6] and Di Scala and Zuddas [7] for related results).

The following proposition is an immediate consequence of the definition.

Proposition 1.2 *Let M and N be complex manifolds, with M of Calabi-Eckmann type. Then, N is of Calabi-Eckmann type if either*

- (1) *there is an immersion of M into N , or*
- (2) *there is a covering map $p: N \rightarrow M$.*

Throughout this paper, we denote by P the open subset of the plane defined by

$$P = \{(\rho_1, \rho_2) \in \mathbb{R}^2 \mid 0 < \rho_1 < 1, 1 < \rho_2 < \rho_1^{-1}\},$$

and we always assume $(\rho_1, \rho_2) \in P$.

We are now ready to state our main theorem.

Theorem 1.3 *There is a family of Calabi-Eckmann type complex structures $\{J(\rho_1, \rho_2)\}$ on \mathbb{R}^4 , parametrized by $(\rho_1, \rho_2) \in P$, and a surjective map $f: \mathbb{R}^4 \rightarrow \mathbb{C}\mathbb{P}^1$ with only one critical point, such that:*

- (1) *f is holomorphic with respect to $J(\rho_1, \rho_2)$ and the complex hessian at the critical point of f is of maximal rank, for all $(\rho_1, \rho_2) \in P$;*
- (2) *the only holomorphic functions on $(\mathbb{R}^4, J(\rho_1, \rho_2))$ are the constants;*
- (3) *$J(\rho_1, \rho_2)$ depends smoothly on $(\rho_1, \rho_2) \in P$;*
- (4) *$(\mathbb{R}^4, J(\rho_1, \rho_2))$ is not biholomorphic to $(\mathbb{R}^4, J(\rho'_1, \rho'_2))$ for any $(\rho_1, \rho_2) \neq (\rho'_1, \rho'_2)$;*

- (5) *the fibers of f are either an immersed holomorphic sphere with one node, embedded holomorphic cylinders, or embedded holomorphic tori.*

We denote by $E(\rho_1, \rho_2)$ the complex manifold $(\mathbb{R}^4, J(\rho_1, \rho_2))$.

Remark Property (1) implies that f can be locally expressed by $f(z_1, z_2) = z_1^2 + z_2^2$ in a neighborhood of the critical point, with respect to suitable local holomorphic coordinates in the complex structure $J(\rho_1, \rho_2)$. In other words, f has a Lefschetz critical point. In fact, as we shall see below, f is the restriction of an achiral Lefschetz fibration on S^4 .

We point out that, as far as we know, $J(\rho_1, \rho_2)$ are the first examples of non-Kähler complex structures on \mathbb{R}^4 . In [5] we prove some further properties of $E(\rho_1, \rho_2)$, as well as an existence result for Calabi-Eckmann type complex structures on all smooth connected open oriented 4-manifolds.

Remark Ramanujam in [14] proved that a complex algebraic surface *homeomorphic* to \mathbb{C}^2 must be isomorphic to \mathbb{C}^2 . Among many known constructions of non-standard complex \mathbb{R}^4 's, we mention Boc Thaler and Forstneric [2] and Wold [15].

The following proposition gives a classification of the holomorphic curves of $E(\rho_1, \rho_2)$.

Proposition 1.4 *If S is a compact Riemann surface, and $g: S \rightarrow E(\rho_1, \rho_2)$ is holomorphic, then either g is constant or $g(S)$ is a compact fiber of f . It follows that the only compact holomorphic curves of $E(\rho_1, \rho_2)$ are the compact fibers of f , namely embedded holomorphic tori or the immersed holomorphic sphere.*

The following is a corollary of Theorem 1.3.

Corollary 1.5 *The blowup $E(\rho_1, \rho_2) \# \overline{m\mathbb{C}\mathbb{P}^2}$ is a Calabi-Eckmann type complex manifold. In particular, $\overline{m\mathbb{C}\mathbb{P}^2} - \{\text{pt}\}$ admits uncountably many non-Kähler complex structures, that are pairwise biholomorphically distinct. Moreover, the only holomorphic functions on the blowup $E(\rho_1, \rho_2) \# \overline{m\mathbb{C}\mathbb{P}^2}$ are the constants.*

The paper is organized as follows. In Section 2, we recall the construction of the Matsumoto-Fukaya torus fibration on S^4 , which is a genus-1 Lefschetz fibration over S^2 . This fibration plays a central role in the proof of Theorem 1.3. As an application, we derive a certain decomposition of \mathbb{R}^4 in Proposition 2.1.

In Section 3, we construct the complex structure $J(\rho_1, \rho_2)$ as well as the holomorphic map f , and we prove Theorem 1.3 and Corollary 1.5.

2 The Matsumoto-Fukaya fibration on S^4

In the early Eighties, Yukio Matsumoto [13] constructed a genus-1 achiral Lefschetz fibration $f: S^4 \rightarrow S^2$, having two critical points of opposite signs. As it has been remarked by Matsumoto himself in the same article, Kenji Fukaya gave an important contribution in the understanding of this fibration. For this reason, in a private conversation Matsumoto suggested to us to call f the *Matsumoto-Fukaya fibration*, and we are glad to follow his suggestion.

Without going into details, f can be defined as follows. Start with the Hopf fibration $h: S^3 \rightarrow S^2$, and take the suspension $\Sigma h: \Sigma S^3 \rightarrow \Sigma S^2$. There is a canonical smoothing $\Sigma S^n \cong S^{n+1}$, which makes the suspension Σh into a smooth map $\Sigma h: S^4 \rightarrow S^3$, see also our paper [4] for an explicit computation.

The composition $f' = h \circ \Sigma h$ is a torus fibration with two Lefschetz singularities, but the two critical points belong to the same fiber. Indeed, the following formula can be easily obtained [4]

$$f'(z_1, z_2, x) = (4z_1\bar{z}_2(|z_1|^2 - |z_2|^2 - ix\sqrt{2-x^2}), 8|z_1|^2|z_2|^2 - 1),$$

where S^{2n} is thought as the unit sphere in $\mathbb{C}^n \times \mathbb{R}$ defined by the equation

$$|z_1|^2 + \cdots + |z_n|^2 + x^2 = 1.$$

In order to get two distinct singular fibers, we slightly perturb f' and the result is the Matsumoto-Fukaya torus fibration $f: S^4 \rightarrow S^2$. A description of this fibration is given also in the book of Gompf and Stipsicz [8, Example 8.4.7] in terms of a Kirby diagram, that is depicted in Figure 1, where the framings are referred to the blackboard framing.

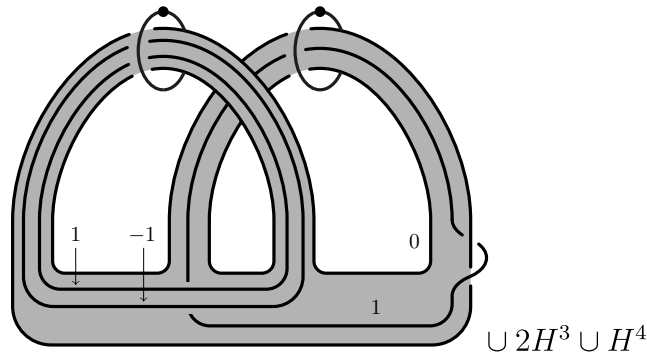


Figure 1: The Matsumoto-Fukaya fibration on S^4

We now explain this Kirby diagram and show how it can be derived. Let $a_1 \in S^2$ be the positive critical value of f , and let a_2 be the negative one. Decompose the base space S^2 as the union of two disks D_1 and D_2 such that $a_j \in \text{Int } D_j$, and put $N_j = f^{-1}(D_j)$. Then N_j is a tubular neighborhood of $F_j = f^{-1}(a_j) \subset S^4$.

It follows that ∂N_1 and ∂N_2 are torus bundles over the circle, that are identified by a fiber-reversing diffeomorphism. So, ∂N_1 and ∂N_2 are essentially the same torus bundle, but with different orientations.

Let us consider the (achiral) Lefschetz fibration $f_j = f|_{N_j}: N_j \rightarrow D_j \cong B^2$, having only one critical point. It can be easily realized that the monodromy of f_1 is a right handed Dehn twist δ about an essential simple curve $c \subset T^2$ that can be identified with a meridian of the torus, while the monodromy of f_2 is given by δ^{-1} . For generalities on Lefschetz fibrations and their monodromies, a good reference is [8]. A description of the monodromy and the induced handlebody decomposition is given also in Apostolakis, Piergallini and Zuddas [1].

Therefore, f_2 can be identified with f_1 by reversing the orientation of the base disk, and keeping the same orientation on the fiber.

Since f is built on the Hopf fibration, the monodromy of the latter reflects on the gluing diffeomorphism ϕ between N_1 and N_2 . Namely, we have

$$\partial N_1 = \frac{[0, 2\pi] \times T^2}{(0, \delta(x, y)) \sim (2\pi, x, y)},$$

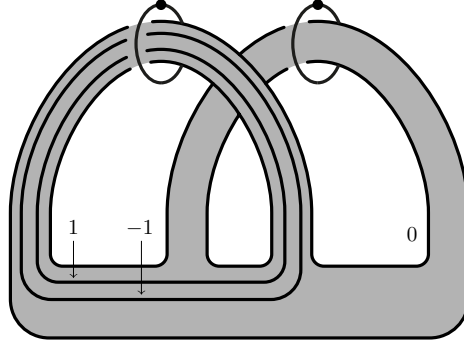
where (x, y) are the angular coordinates in $T^2 = S^1 \times S^1$, and the attaching diffeomorphism $\phi: \partial N_1 \rightarrow \partial N_2 = -\partial N_1$ is given by $\phi(t, x, y) = (t, x, y + t)$, which passes to the quotient. In other words, while running over ∂D_1 , the fiber rotates along the longitude of 2π radians.

In Figure 1 the two 2-handles attached along parallel curves correspond to the two Lefschetz critical points, giving the corresponding vanishing cycles that are parallel to the curve c . The 2-handle with framing 0 attached along the boundary of the punctured torus is needed to close the fiber.

At this point, the Kirby diagram of Figure 2 describes the fiber sum of f_1 and f_2 along an arc in ∂B^2 .

In order to complete the fibration, we have to glue a trivial bundle $B^2 \times T^2$ by a fiber-preserving diffeomorphism given by 2π radians rotation in the longitudinal direction.

Considering B^2 as a 2-handle and taking the product with the standard handle decomposition of T^2 we get an extra 2-handle attached along a section, that follows the

Figure 2: The fiber sum of f_1 and f_2

longitude. A simple computation shows that this 2-handle has framing one. Also, we get two 3-handles and a 4-handle.

Removing a neighborhood X of the singular point of F_2 which is diffeomorphic to B^4 , we obtain \mathbb{R}^4 . We define the subset X of N_2 to be the standard model of the neighborhood of a negative Lefschetz singularity. That is, X is the total space of a singular annulus fibration over D_2 with one singular fiber and a left-handed Dehn twist as the monodromy. It is well-known that X is diffeomorphic to B^4 , up to smoothing the corners. Then $N_2 - \text{Int } X$ is the total space of a trivial annulus bundle over D_2 .

In other words, from the Kirby diagram of Figure 1 we are removing a 4-handle, the 3-handle that comes from the longitude of the torus, and the 2-handle with framing one that comes from the negative Lefschetz critical point, thus obtaining the diagram of Figure 3. A simple computation shows that this represents B^4 , taking into account that the 3-handle immediately cancels with the 0-framed 2-handle, as it results from its attaching map.

This Kirby diagram encodes the map $f_1: S^4 - \text{Int } X \cong B^4 \rightarrow S^2$ as part of the Matsumoto-Fukaya fibration.

The above considerations can be summed up in the following proposition, where $A = S^1 \times [0, 1]$.

Proposition 2.1 *If we glue $B^2 \times A$ to N_1 along $S^1 \times A$ so that for each $t \in \partial B^2 = -\partial D_1^2 \cong S^1$, the annulus $\{t\} \times A$ embeds in $f^{-1}(t) \cong T^2$ as a thickened meridian, and it rotates in the longitude direction once when $t \in S^1$ rotates once, then the resulting manifold is diffeomorphic to B^4 , and so the interior is diffeomorphic to \mathbb{R}^4 .*

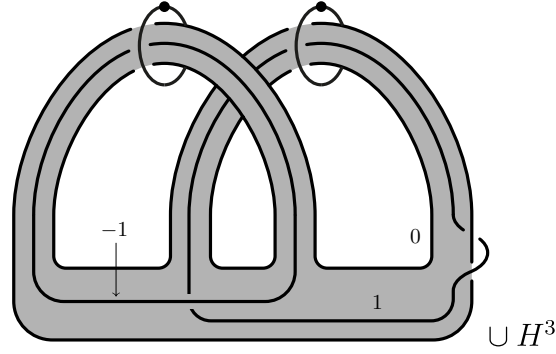


Figure 3: The map f on B^4

3 Construction of the complex structures

In the following we make use of the notations $\Delta(r_0, r_1) = \{z \in \mathbb{C} \mid r_0 < |z| < r_1\}$, $\Delta(r_1) = \{z \in \mathbb{C} \mid |z| < r_1\}$, for $0 \leq r_0 < r_1$. We put also $\mathbb{C}^* = \mathbb{C} - \{0\}$. For a given $w \in \mathbb{C}^*$ such that $|w| < 1$, we consider the smooth elliptic curve $T_w^2 = \mathbb{C}^*/\mathbb{Z} \cong T^2$, where the action is given by $n \cdot z = w^n z$. We call the curve $\mu = \{|z| = 1\} \subset T_w^2$ the meridian of T_w^2 . For $0 < \arg w < 2\pi$, we also consider the curve $\lambda = \{w^t \mid t > 0\} \subset T_w^2$, which we call the longitude of the torus, where $w^t = |w|^t e^{it \arg w}$. These meridian and longitude can be identified with those of the previous section.

Proof of Theorem 1.3 We begin with the construction of the complex structure $J(\rho_1, \rho_2)$. Since N_1 is the total space of a positive genus-1 Lefschetz fibration over the 2-disk with one singular fiber, there exists a complex structure such that the fibration

$$f|_{N_1}: N_1 \rightarrow D_1$$

is holomorphic. Indeed, we consider a holomorphic elliptic fibration over S^2 , and we take a tubular neighborhood of a singular fiber which is fiberwise diffeomorphic with N_1 (see also [8]). According to Kodaira [12], we can give a more explicit model of $\text{Int} N_1$ by the Weierstrass curves. For $0 < \rho_1 < 1$, we consider the complex submanifold

$$S = \{([z_0:z_1:z_2], \tau) \mid z_1^2 z_2 - 4z_0^3 - z_0^2 z_2 + g_2(\tau) z_0 z_2^2 + g_3(\tau) z_2^3 = 0\} \subset \mathbb{C}\mathbb{P}^2 \times \Delta(\rho_1),$$

where

$$g_2(\tau) = 20 \sum_{n=1}^{\infty} (1 - \tau^n)^{-1} n^3 \tau^n$$

$$g_3(\tau) = \frac{1}{3} \sum_{n=1}^{\infty} (1 - \tau^n)^{-1} (7n^5 + 5n^3) \tau^n.$$

For each $\tau \in \Delta(\rho_1)$, the fiber $\{z_1^2 z_2 - 4z_0^3 - z_0^2 z_2 + g_2(\tau) z_0 z_2^2 + g_3(\tau) z_2^3 = 0\} \subset \mathbb{C}\mathbb{P}^2$ is an elliptic curve and it is singular only for $\tau = 0$. Using the coordinates $(x, y) = (z_0/z_2, z_1/z_2)$, the singular elliptic fiber is defined by the equation

$$y^2 - 4x^3 - x^2 = 0$$

and it has an ordinary double point at $x = y = 0$. Hence, the canonical projection

$$\pi: \mathbb{C}\mathbb{P}^2 \times \Delta(\rho_1) \rightarrow \Delta(\rho_1)$$

restricts to a holomorphic map $\pi|_S: S \rightarrow \Delta(\rho_1)$, which is a genus-1 holomorphic Lefschetz fibration over the 2-disk with one singular fiber. Thus, the complex manifold S is a complex model of $\text{Int } N_1$.

Now, we consider the quotient $(\mathbb{C}^* \times \Delta(0, \rho_1))/\mathbb{Z}$, where for any $n \in \mathbb{Z}$, the action is given by

$$n \cdot (z, w) = (zw^n, w).$$

This elliptic fibration extends over $\Delta(\rho_1)$. Let us denote the completion by W . Kodaira gave an explicit biholomorphism between W and S (see [12], pp. 597–599). So, in the following we shall consider W as the model of $\text{Int } N_1$, instead of the Weierstrass model S .

We fix a holomorphic atlas on the Riemann sphere given by two open disks $D'_1 \supset D_1$ and $D'_2 \supset D_2$. The disk D'_1 is biholomorphic with $\Delta(\rho_1)$ and D'_2 is biholomorphic with $\Delta(\rho_0^{-1})$, where $\rho_0 \in (0, \rho_1)$ is arbitrarily chosen, and the transition function $\psi: \Delta(\rho_0, \rho_1) \rightarrow \Delta(\rho_1^{-1}, \rho_0^{-1})$ is given by $\psi(z) = z^{-1}$.

We define the complex structure on the topologically trivial annulus bundle $N_2 - X$, considered over $\Delta(\rho_0^{-1}) \cong D'_2$, by the product structure $\Delta(1, \rho_2) \times \Delta(\rho_0^{-1})$.

Next, we want to glue $W \cong \text{Int } N_1$ with $\Delta(1, \rho_2) \times \Delta(\rho_0^{-1}) \cong \text{Int } N_2 - X$ analytically along $\Delta(1, \rho_2) \times \Delta(\rho_1^{-1}, \rho_0^{-1}) \subset \Delta(1, \rho_2) \times \Delta(\rho_0^{-1})$, so that the attaching map is isotopic to that of the Matsumoto-Fukaya fibration, implying that the resulting manifold is diffeomorphic to \mathbb{R}^4 . In order to do this, we need to choose an attaching region in

W which is biholomorphic to the product $\Delta(1, \rho_2) \times \Delta(\rho_1^{-1}, \rho_0^{-1})$. In the following argument, we show how to take such a region in W .

We begin with a multi-valued holomorphic function $\phi: \Delta(\rho_0, \rho_1) \rightarrow \mathbb{C}^*$ such that multiplication by w^n for all $n \in \mathbb{Z}$, determines a transitive \mathbb{Z} -action on the set of the branches of ϕ . In other words, given any branch ϕ_0 of ϕ , all the other branches are of the form $w^n \phi_0(w)$ for an arbitrary $n \in \mathbb{Z}$.

For example, as it can be easily verified, we can take

$$\phi(w) = \exp\left(\frac{1}{4\pi i}(\log w)^2 - \frac{1}{2} \log w\right),$$

where the two logarithms are taken simultaneously with all of their possible branches.

Next, consider the open subset $Y \subset \mathbb{C}^* \times \Delta(0, \rho_1)$ defined by

$$Y = \{(z, w) \in \mathbb{C}^* \times \Delta(0, \rho_1) \mid z\phi(w)^{-1} \in \Delta(1, \rho_2) \text{ for some value of } \phi(w)\}.$$

Then, Y can be parameterized by the multi-valued local holomorphic immersion

$$\Phi: \Delta(1, \rho_2) \times \Delta(\rho_0, \rho_1) \rightarrow \mathbb{C}^* \times \Delta(0, \rho_1)$$

defined by $\Phi(z, w) = (z\phi(w), w)$. Notice that Y is invariant under the action of \mathbb{Z} on $\mathbb{C}^* \times \Delta(0, \rho_1)$.

It follows that the composition of Φ with the quotient map

$$\pi: \mathbb{C}^* \times \Delta(0, \rho_1) \rightarrow (\mathbb{C}^* \times \Delta(0, \rho_1))/\mathbb{Z} \subset W$$

is a single-valued holomorphic embedding, and we denote by V the image of Y in W .

Also notice that $f|_V: V \rightarrow \Delta(\rho_0, \rho_1)$ is a holomorphic annulus bundle, and Φ determines a trivialization of this bundle.

Let $j: \Delta(1, \rho_2) \times \Delta(\rho_0, \rho_1) \rightarrow \Delta(1, \rho_2) \times \Delta(\rho_1^{-1}, \rho_0^{-1})$ be the biholomorphism defined by $j(z, w) = (z, w^{-1})$. We use $\pi \circ \Phi \circ j^{-1}: \Delta(1, \rho_2) \times \Delta(\rho_1^{-1}, \rho_0^{-1}) \rightarrow V$ as the attaching biholomorphism for making the union

$$E(\rho_1, \rho_2) = (\Delta(1, \rho_2) \times \Delta(\rho_0^{-1})) \cup_V W,$$

which therefore is a complex manifold. We denote by $J(\rho_1, \rho_2)$ the complex structure of $E(\rho_1, \rho_2)$.

In order to identify the topology of $E(\rho_1, \rho_2)$, we consider how the annulus fiber of $V = \Delta(1, \rho_2) \times \Delta(\rho_0, \rho_1)$ looks inside the toric fiber of $W \cong \text{Int } N_1$. Let $w \in \Delta(\rho_0, \rho_1)$ be a complex number of some fixed modulus, and of arbitrary argument $\arg w$. When $\arg(w)$ varies from 0 to 2π , a point z of the fiber $\Delta(1, \rho_2)$ moves accordingly with the

\mathbb{Z} -action on the branches of ϕ , which encodes the attaching biholomorphism. Namely, z goes to wz , that is in the next fundamental domain of the \mathbb{Z} -action on \mathbb{C}^* that gives the torus $T_w^2 = \mathbb{C}^*/\mathbb{Z}$. This means that when w rotates once in the argument direction, the annulus $\Delta(1, \rho_2)$ rotates once in the longitude direction of the fiber torus T_w^2 , and this coincides with the attaching map of the Matsumoto-Fukaya fibration restricted on $S^4 - X$. This implies that $E(\rho_1, \rho_2)$ is diffeomorphic to \mathbb{R}^4 .

Observe that the number ρ_0 is auxiliary. Indeed, its role is just to provide an open subset V of $\text{Int } N_1$ which is necessary for the analytical gluing. Namely, ρ_0 only determines the size of the attaching region of the two complex manifolds. Hence, $E(\rho_1, \rho_2)$ does not depend on ρ_0 up to biholomorphisms.

Moreover, we can define a surjective holomorphic map

$$f_{\rho_1, \rho_2}: E(\rho_1, \rho_2) \rightarrow \mathbb{CP}^1$$

by $f_{\rho_1, \rho_2}(z, w) = w$ if $(z, w) \in W$ and $f_{\rho_1, \rho_2}(z, w) = w^{-1}$ if $(z, w) \in \Delta(1, \rho_2) \times \Delta(\rho_0^{-1})$.

Notice that f_{ρ_1, ρ_2} is isotopic to the restriction of the Matsumoto-Fukaya fibration f (up to the diffeomorphism $E(\rho_1, \rho_2) \cong \mathbb{R}^4$). Actually, the isotopy can be chosen to be smooth with respect to the parameters (ρ_1, ρ_2) , and up to this isotopy we can assume that $f|_{\mathbb{R}^4}$ itself is a holomorphic fibration with respect to all of the complex structures $J(\rho_1, \rho_2)$. Moreover, the complex hessian of f at the critical point, computed with respect to $J(\rho_1, \rho_2)$, is of maximal rank because this complex structure on W coincides with that of the Weierstrass curves model.

Since f has holomorphic tori as fibers, it follows that $E(\rho_1, \rho_2)$ is of Calabi-Eckmann type. Moreover, statements (1), (3) and (5) of the theorem are implicit in the construction.

The non-existence of non-constant holomorphic functions also follows easily, since there is an open subset of $E(\rho_1, \rho_2)$, namely W , which is foliated by compact holomorphic curves, hence a holomorphic function $g: E(\rho_1, \rho_2) \rightarrow \mathbb{C}$ must be constant on these fibers. Therefore, the differential of g is zero along those compact fibers. Since dg is a holomorphic 1-form, it follows that dg is zero even along the annulus fibers of f , and this implies that g is constant on the fibers of f . Thus, g factorizes by the fibration f . Namely, there is a holomorphic function $g': \mathbb{CP}^1 \rightarrow \mathbb{C}$ such that $g = g' \circ f$. Since g' is constant, g is also constant. This proves statement (2).

Now we give the proof of statement (4), which is based on Proposition 1.4 that will be proved at the end of this section. By Proposition 1.4, the union of all compact holomorphic curves of $E(\rho_1, \rho_2)$ is the open subset W . Analogously, we denote by W' the union of the compact holomorphic curves of $E(\rho'_1, \rho'_2)$.

Suppose that there is a biholomorphism $g: E(\rho_1, \rho_2) \rightarrow E(\rho'_1, \rho'_2)$. We want to show that $(\rho_1, \rho_2) = (\rho'_1, \rho'_2)$.

The above discussion implies that g decomposes into two biholomorphisms $g_1: W \rightarrow W'$ and $g_2: \Delta(1, \rho_2) \times \Delta(\rho_1^{-1}) \rightarrow \Delta(1, \rho'_2) \times \Delta(\rho_1'^{-1})$. Moreover, g is fiber-preserving on W , and so $g|_W$ passes to the quotient, giving a biholomorphism $g': \Delta(\rho_1) \rightarrow \Delta(\rho'_1)$. By analyticity, g must be fiber-preserving also on $\Delta(1, \rho_2) \times \Delta(\rho_1^{-1})$. This immediately gives $\rho_2 = \rho'_2$, because of the well-known holomorphic classification of complex annuli.

The torus T_w^2 that corresponds to the complex number $w \in \Delta(0, \rho_1)$, is isomorphic to a complex torus of the form $\mathbb{C}/(\mathbb{Z} \oplus \mathbb{Z}v)$, where

$$v = \frac{1}{2\pi i} \log w = \frac{1}{2\pi} \arg w - \frac{i}{2\pi} \log |w|,$$

and $\arg w \in [0, 2\pi)$.

By the classification of complex non-singular elliptic curves, g' must be the identity because T_w^2 is isomorphic to $g(T_w^2) = T_{g'(w)}^2$ for all $w \in \Delta(0, \rho_1)$. Therefore, we obtain $\rho_1 = \rho'_1$. \square

Proof of Proposition 1.4 It is sufficient to show that $f \circ g$ is constant. In fact, $f \circ g: S \rightarrow \mathbb{C}\mathbb{P}^1$ is homotopic to a constant, since it factorizes through the contractible space $E(\rho_1, \rho_2)$. Therefore, $f \circ g$ is of degree zero. Since it is a holomorphic map between compact Riemann surfaces, it must be constant. \square

Finally, we prove Corollary 1.5.

Proof of Corollary 1.5 Since the blowup affects $E(\rho_1, \rho_2)$ only at finitely many points, after blowing up, there are still embedded holomorphic tori which are homotopically trivial. Then, $E(\rho_1, \rho_2) \# \overline{m\mathbb{C}\mathbb{P}^2}$ is of Calabi-Eckmann type.

Moreover, if $E(\rho_1, \rho_2) \# \overline{m\mathbb{C}\mathbb{P}^2}$ and $E(\rho'_1, \rho'_2) \# \overline{m\mathbb{C}\mathbb{P}^2}$ are biholomorphic, then it follows that $\rho_1 = \rho'_1$ and $\rho_2 = \rho'_2$ by the same argument in the proof of Theorem 1.3 (4). Since $E(\rho_1, \rho_2) \# \overline{m\mathbb{C}\mathbb{P}^2}$ is diffeomorphic to $\overline{m\mathbb{C}\mathbb{P}^2} - \{p\}$, there are uncountably many distinct non-Kähler complex structures on $\overline{m\mathbb{C}\mathbb{P}^2} - \{p\}$.

Finally, if h is a holomorphic function on $E(\rho_1, \rho_2) \# \overline{m\mathbb{C}\mathbb{P}^2}$, it must be constant on the exceptional spheres, and so it factorizes through the blowup map

$$\sigma: E(\rho_1, \rho_2) \# \overline{m\mathbb{C}\mathbb{P}^2} \rightarrow E(\rho_1, \rho_2).$$

Hence, h is constant. This completes the proof. \square

Remark Corollary 1.5 holds even for $m = \infty$, and the proof is essentially the same. By making the points for the blowups to vary, we get even more pairwise inequivalent complex structures on $E(\rho_1, \rho_2) \# m\overline{\mathbb{C}\mathbb{P}^2}$.

Acknowledgements

The authors wish to thank Yukio Matsumoto, Ryushi Goto, and Ichiro Enoki. Yukio Matsumoto gave us an important suggestion about Theorem 1.3. Ryushi Goto and Ichiro Enoki gave us helpful advice for the model of the holomorphic elliptic fibration in the proof of Theorem 1.3. Also thanks to Alberto Verjovsky for useful comments on related results. Part of this article has been written when the second and the third authors were visiting the Department of Mathematical Sciences of Durham University, UK. So, they are grateful to Durham University for hospitality. The third author also thanks the Grey College of Durham University for hospitality during his stay at Durham. We are also thankful to Wilhelm Klingenberg for helpful conversations and for having invited us to Durham University.

Antonio J Di Scala and Daniele Zuddas are members of GNSAGA of INdAM.

References

- [1] N Apostolakis, R Piergallini and D Zuddas, *Lefschetz fibrations over the disc*, Proc. Lond. Math. Soc. 107 (2013), no. 2, 340–390.
- [2] L Boc Thaler and F Forstneric, *A long \mathbb{C}^2 without holomorphic functions*, Analysis & PDE, in press.
- [3] E Calabi and B Eckmann, *A class of compact, complex manifolds which are not algebraic*, Ann. of Math. 58 (1953), 494–500.
- [4] A J Di Scala, N Kasuya and D Zuddas, *On embeddings of almost complex manifolds in almost complex Euclidean spaces*, J. Geom. Phys. 101 (2016), 19–26.
- [5] A J Di Scala, N Kasuya and D Zuddas, *Non-Kähler complex structures on \mathbb{R}^4 II*, arXiv:1511.08471.
- [6] A J Di Scala and L Vezzoni, *Complex submanifolds of almost complex Euclidean spaces*, Q. J. Math. 61 (2010) no. 4, 401–405.
- [7] A J Di Scala and D Zuddas, *Embedding almost-complex manifolds in almost-complex Euclidean spaces*, Journal of Geometry and Physics 61 (2011) 1928–1931.

- [8] RE Gompf and AI Stipsicz, *4-manifolds and Kirby calculus*, Graduate Studies in Mathematics 20, American Mathematical Society, 1999.
- [9] H Hopf, *Zur Topologie der komplexen Mannigfaltigkeiten*, Studies and Essays Presented to R. Courant on his 60th Birthday, Interscience Publishers, 1948, 167–185.
- [10] N Kasuya, *On contact embeddings of contact manifolds in the odd dimensional Euclidean spaces*, International Journal of Mathematics, Vol. 26, No. 7 (2015) 1550045.
- [11] N Kasuya, *An obstruction for codimension two contact embeddings in the odd dimensional Euclidean spaces*, Journal of the Mathematical Society of Japan, Vol. 68, No. 2 (2016), 737-743.
- [12] K Kodaira, *On Compact Analytic Surfaces: II*, Ann. of Math. Vol. 77, No. 3 (1963), 563-626.
- [13] Y Matsumoto, *On 4-manifolds fibered by tori*, Proc. Japan Acad. Ser. A Math. Sci. 58 (1982), no. 7, 298–301.
- [14] C P Ramanujam, *A topological characterisation of the affine plane as an algebraic variety*, Ann. of Math. 94 (1971) 69–88.
- [15] EF Wold, *A long \mathbb{C}^2 which is not Stein*, Ark. Mat. 48 (2010), no. 1, 207–210.

Dipartimento di Scienze Matematiche ‘G.L. Lagrange’, Politecnico di Torino, Corso Duca degli Abruzzi 24, 10129, Torino, Italy.

School of Social Informatics, Aoyama Gakuin University, 5-10-1 Fuchinobe, Chuo-ku, Sagami-hara, Kanagawa 252-5258, Japan.

Korea Institute for Advanced Study, 85 Hoegiro, Dongdaemun-gu, Seoul 02455, Republic of Korea.

antonio.discal@polito.it, nkasuya@si.aoyama.ac.jp, zuddas@kias.re.kr