



University of Nebraska - Lincoln

DigitalCommons@University of Nebraska - Lincoln

Architectural Engineering -- Faculty Publications

Architectural Engineering and Construction,
Durham School of

2019

HVAC SYSTEM REMOTE MONITORING AND DIAGNOSIS

Jeffrey N. Arensmeier

Gregg M. Hemmelgarn

Fadi M. Alsaleem

Priotomo Abiprojo

Follow this and additional works at: <https://digitalcommons.unl.edu/archengfacpub>



Part of the [Architectural Engineering Commons](#), [Construction Engineering Commons](#), [Environmental Design Commons](#), and the [Other Engineering Commons](#)

This Article is brought to you for free and open access by the Architectural Engineering and Construction, Durham School of at DigitalCommons@University of Nebraska - Lincoln. It has been accepted for inclusion in Architectural Engineering -- Faculty Publications by an authorized administrator of DigitalCommons@University of Nebraska - Lincoln.



US010274945B2

(12) **United States Patent**
Arensmeier et al.

(10) **Patent No.:** US 10,274,945 B2
(45) **Date of Patent:** *Apr. 30, 2019

(54) **HVAC SYSTEM REMOTE MONITORING AND DIAGNOSIS**

(71) Applicant: **EMERSON ELECTRIC CO.**, St. Louis, MO (US)
(72) Inventors: **Jeffrey N. Arensmeier**, Fenton, MO (US); **Gregg M. Hemmelgarn**, Saint Henry, OH (US); **Fadi M. Alsalem**, Omaha, NE (US); **Priotomo Abiprojo**, O'Fallon, MO (US)

(73) Assignee: **EMERSON ELECTRIC CO.**, St. Louis, MO (US)

(*) Notice: Subject to any disclaimer, the term of this patent is extended or adjusted under 35 U.S.C. 154(b) by 0 days.
This patent is subject to a terminal disclaimer.

(58) **Field of Classification Search**
CPC F24F 11/0086; F24F 11/006; F24F 2011/0052; F24F 2011/0067; F24F 2011/0071; G05B 15/02; G05B 23/0286
(Continued)

(56) **References Cited**
U.S. PATENT DOCUMENTS
2,054,542 A 9/1936 Hoelle
2,296,822 A 9/1942 Wolfert
(Continued)

FOREIGN PATENT DOCUMENTS
CA 1147440 A1 5/1983
CA 1151265 A1 8/1983
(Continued)

OTHER PUBLICATIONS

(21) Appl. No.: **15/583,942**

(22) Filed: **May 1, 2017**

(65) **Prior Publication Data**
US 2017/0336091 A1 Nov. 23, 2017

Office Action regarding Chinese Patent Application No. 201480025776. 7, dated Jan. 10, 2018. Translation provided by Unitalen Attorneys At Law.

(Continued)

Primary Examiner — Jack K Wang
(74) *Attorney, Agent, or Firm* — Harness, Dickey & Pierce, P.L.C.

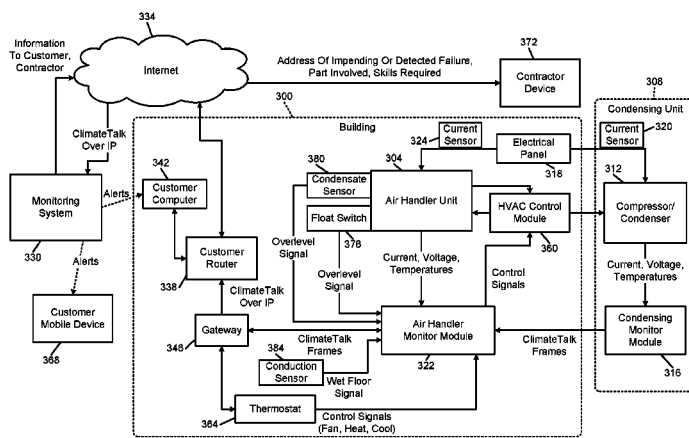
Related U.S. Application Data

(63) Continuation of application No. 14/212,632, filed on Mar. 14, 2014, now Pat. No. 9,638,436.
(Continued)

(51) **Int. Cl.**
F24F 11/86 (2018.01)
F24F 11/62 (2018.01)
(Continued)

(52) **U.S. Cl.**
CPC **G05B 23/024** (2013.01); **F24F 11/30** (2018.01); **F24F 11/62** (2018.01); **G05B 15/02** (2013.01);
(Continued)

(57) **ABSTRACT**
A monitoring system for an HVAC system of a building includes a monitoring server located remotely from the building. The monitoring server receives, from a device installed at the building, (i) time-domain current data based on a measured aggregate current supplied to a plurality of components of the HVAC system, and (ii) data based on frequency-domain current data of the measured aggregate current. Based on the received data, the monitoring server accesses (i) whether a failure has occurred in a first component of the plurality of components and (ii) generates a preliminary advisory in response to determining that the failure has occurred. The monitoring server compares the
(Continued)



preliminary advisory to a threshold value based on data stored from prior advisories. If the preliminary advisory is on a first side of the threshold value, the monitoring server provides the preliminary advisory as a first advisory to a technician for review.

20 Claims, 39 Drawing Sheets

Related U.S. Application Data

- (60) Provisional application No. 61/800,636, filed on Mar. 15, 2013, provisional application No. 61/809,222, filed on Apr. 5, 2013.
- (51) **Int. Cl.**
F24F 11/30 (2018.01)
G05B 23/02 (2006.01)
G05B 15/02 (2006.01)
F24F 11/32 (2018.01)
F24F 11/52 (2018.01)
- (52) **U.S. Cl.**
 CPC *G05B 23/0262* (2013.01); *G05B 23/0286* (2013.01); *F24F 11/32* (2018.01); *F24F 11/52* (2018.01); *G05B 2219/163* (2013.01); *G05B 2219/2614* (2013.01); *G05B 2219/2642* (2013.01)
- (58) **Field of Classification Search**
 USPC 340/679
 See application file for complete search history.

(56) **References Cited**

U.S. PATENT DOCUMENTS

2,631,050	A	3/1953	Haerberlein
2,804,839	A	9/1957	Hallinan
2,961,606	A	11/1960	Mead
2,962,702	A	11/1960	Derr et al.
2,978,879	A	4/1961	Heidorn
3,027,865	A	4/1962	Kautz et al.
3,047,696	A	7/1962	Heidorn
3,082,951	A	3/1963	Kayan
3,107,843	A	10/1963	Finn
3,170,304	A	2/1965	Hale
3,232,519	A	2/1966	Long
3,278,111	A	10/1966	Parker
3,327,197	A	6/1967	Marquis
3,339,164	A	8/1967	Landis et al.
3,400,374	A	9/1968	Schumann
3,513,662	A	5/1970	Golber
3,581,281	A	5/1971	Martin et al.
3,585,451	A	6/1971	Day, III
3,653,783	A	4/1972	Sauder
3,660,718	A	5/1972	Pinckaers
3,665,339	A	5/1972	Liu
3,665,399	A	5/1972	Zehr et al.
3,680,324	A	8/1972	Garland
3,697,953	A	10/1972	Schoenwitz
3,707,851	A	1/1973	McAshan, Jr.
3,729,949	A	5/1973	Talbot
3,735,377	A	5/1973	Kaufman
3,742,302	A	6/1973	Neill
3,742,303	A	6/1973	Dageford
3,767,328	A	10/1973	Ladusaw
3,777,240	A	12/1973	Neill
3,783,681	A	1/1974	Hirt et al.
3,820,074	A	6/1974	Toman
3,882,305	A	5/1975	Johnstone
3,924,972	A	12/1975	Szymaszek
3,927,712	A	12/1975	Nakayama
3,935,519	A	1/1976	Pfarrer et al.

3,950,962	A	4/1976	Odashima
3,960,011	A	6/1976	Renz et al.
3,978,382	A	8/1976	Pfarrer et al.
3,998,068	A	12/1976	Chirnside
4,006,460	A	2/1977	Hewitt et al.
4,014,182	A	3/1977	Granryd
4,018,584	A	4/1977	Mullen
4,019,172	A	4/1977	Srodes
4,024,725	A	5/1977	Uchida et al.
4,027,289	A	5/1977	Toman
4,034,570	A	7/1977	Anderson et al.
4,038,061	A	7/1977	Anderson et al.
4,045,973	A	9/1977	Anderson et al.
4,046,532	A	9/1977	Nelson
RE24,950	E	10/1977	Goldsby et al.
4,060,716	A	11/1977	Pekrul et al.
4,066,869	A	1/1978	Apaloo et al.
4,090,248	A	5/1978	Swanson et al.
4,102,150	A	7/1978	Kountz
4,102,394	A	7/1978	Botts
4,104,888	A	8/1978	Reedy et al.
4,105,063	A	8/1978	Bergt
4,112,703	A	9/1978	Kountz
4,132,086	A	1/1979	Kountz
4,136,730	A	1/1979	Kinsey
4,137,057	A	1/1979	Piet et al.
4,137,725	A	2/1979	Martin
4,142,375	A	3/1979	Abe et al.
4,143,707	A	3/1979	Lewis et al.
4,146,085	A	3/1979	Wills
RE29,966	E	4/1979	Nussbaum
4,151,725	A	5/1979	Kountz et al.
4,153,003	A	5/1979	Willis
4,156,350	A	5/1979	Elliott et al.
4,161,106	A	7/1979	Savage et al.
4,165,619	A	8/1979	Girard
4,171,622	A	10/1979	Yamaguchi et al.
4,173,871	A	11/1979	Brooks
4,178,988	A	12/1979	Cann et al.
RE30,242	E	4/1980	del Toro et al.
4,197,717	A	4/1980	Schumacher
4,205,381	A	5/1980	Games et al.
4,209,994	A	7/1980	Mueller et al.
4,211,089	A	7/1980	Mueller et al.
4,217,761	A	8/1980	Cornaire et al.
4,220,010	A	9/1980	Mueller et al.
4,227,862	A	10/1980	Andrew et al.
4,232,530	A	11/1980	Mueller
4,233,818	A	11/1980	Lastinger
4,236,379	A	12/1980	Mueller
4,244,182	A	1/1981	Behr
4,246,763	A	1/1981	Mueller et al.
4,248,051	A	2/1981	Darcy et al.
4,251,988	A	2/1981	Allard et al.
4,257,795	A	3/1981	Shaw
4,259,847	A	4/1981	Pearse, Jr.
4,267,702	A	5/1981	Houk
4,270,174	A	5/1981	Karlin et al.
4,271,898	A	6/1981	Freeman
4,281,358	A	7/1981	Plouffe et al.
4,284,849	A	8/1981	Anderson et al.
4,286,438	A	9/1981	Clarke
4,290,480	A	9/1981	Sulkowski
4,296,727	A	10/1981	Bryan
4,301,660	A	11/1981	Mueller et al.
4,306,293	A	12/1981	Marathe
4,307,775	A	12/1981	Saunders et al.
4,308,725	A	1/1982	Chiyoda
4,311,188	A	1/1982	Kojima et al.
4,319,461	A	3/1982	Shaw
4,321,529	A	3/1982	Simmonds et al.
4,325,223	A	4/1982	Cantley
4,328,678	A	5/1982	Kono et al.
4,328,680	A	5/1982	Stamp, Jr. et al.
4,333,316	A	6/1982	Stamp, Jr. et al.
4,333,317	A	6/1982	Sawyer
4,336,001	A	6/1982	Andrew et al.
4,338,790	A	7/1982	Saunders et al.
4,338,791	A	7/1982	Stamp, Jr. et al.

(56)

References Cited

U.S. PATENT DOCUMENTS

4,345,162	A	8/1982	Hammer et al.	4,527,247	A	7/1985	Kaiser et al.
4,346,755	A	8/1982	Alley et al.	4,527,399	A	7/1985	Lord
4,350,021	A	9/1982	Lundstrom	4,535,607	A	8/1985	Mount
4,350,023	A	9/1982	Kuwabara et al.	4,538,420	A	9/1985	Nelson
4,351,163	A	9/1982	Johannsen	4,538,422	A	9/1985	Mount et al.
4,356,703	A	11/1982	Vogel	4,539,820	A	9/1985	Zinsmeyer
4,361,273	A	11/1982	Levine et al.	4,540,040	A	9/1985	Fukumoto et al.
4,365,983	A	12/1982	Abraham et al.	4,545,210	A	10/1985	Lord
4,370,098	A	1/1983	McClain et al.	4,545,214	A	10/1985	Kinoshita
4,372,119	A	2/1983	Gillbrand et al.	4,548,549	A	10/1985	Murphy et al.
4,376,926	A	3/1983	Senor	4,549,403	A	10/1985	Lord et al.
4,381,549	A	4/1983	Stamp, Jr. et al.	4,549,404	A	10/1985	Lord
4,382,367	A	5/1983	Roberts	4,550,770	A	11/1985	Nussdorfer et al.
4,384,462	A	5/1983	Overman et al.	4,553,400	A	11/1985	Branz
4,387,368	A	6/1983	Day, III et al.	4,555,057	A	11/1985	Foster
4,387,578	A	6/1983	Paddock	4,555,910	A	12/1985	Sturges
4,390,058	A	6/1983	Otake et al.	4,557,317	A	12/1985	Harmon, Jr.
4,390,321	A	6/1983	Langlois et al.	4,558,181	A	12/1985	Blanchard et al.
4,390,922	A	6/1983	Pelliccia	4,561,260	A	12/1985	Nishi et al.
4,395,886	A	8/1983	Mayer	4,563,624	A	1/1986	Yu
4,395,887	A	8/1983	Sweetman	4,563,877	A	1/1986	Harnish
4,399,548	A	8/1983	Castleberry	4,563,878	A	1/1986	Baglione
4,402,054	A	8/1983	Osborne et al.	4,567,733	A	2/1986	Mecozzi
4,406,133	A	9/1983	Saunders et al.	4,568,909	A	2/1986	Whynacht
4,407,138	A	10/1983	Mueller	4,574,871	A	3/1986	Parkinson et al.
4,408,660	A	10/1983	Sutou et al.	4,575,318	A	3/1986	Blain
4,412,788	A	11/1983	Shaw et al.	4,577,977	A	3/1986	Pejsa
4,415,896	A	11/1983	Allgood	4,580,947	A	4/1986	Shibata et al.
4,418,388	A	11/1983	Allgor et al.	4,583,373	A	4/1986	Shaw
4,420,947	A	12/1983	Yoshino	4,589,060	A	5/1986	Zinsmeyer
4,425,010	A	1/1984	Bryant et al.	4,593,367	A	6/1986	Slack et al.
4,429,578	A	2/1984	Darrel et al.	4,598,764	A	7/1986	Beckey
4,432,232	A	2/1984	Brantley et al.	4,602,484	A	7/1986	Bendikson
4,434,390	A	2/1984	Elms	4,603,556	A	8/1986	Suefuji et al.
4,441,329	A	4/1984	Dawley	4,604,036	A	8/1986	Sutou et al.
4,448,038	A	5/1984	Barbier	4,611,470	A	9/1986	Enstrom
4,449,375	A	5/1984	Briccetti	4,612,775	A	9/1986	Branz et al.
4,451,929	A	5/1984	Yoshida	4,614,089	A	9/1986	Dorsey
4,460,123	A	7/1984	Beverly	4,617,804	A	10/1986	Fukushima et al.
4,463,571	A	8/1984	Wiggs	4,620,286	A	10/1986	Smith et al.
4,463,574	A	8/1984	Spethmann et al.	4,620,424	A	11/1986	Tanaka et al.
4,463,576	A	8/1984	Burnett et al.	4,621,502	A	11/1986	Ibrahim et al.
4,465,229	A	8/1984	Kompelien	4,626,753	A	12/1986	Letterman
4,467,230	A	8/1984	Rovinsky	4,627,245	A	12/1986	Levine
4,467,385	A	8/1984	Bandoli et al.	4,627,483	A	12/1986	Harshbarger, III et al.
4,467,613	A	8/1984	Behr et al.	4,627,484	A	12/1986	Harshbarger, Jr. et al.
4,470,092	A	9/1984	Lombardi	4,630,572	A	12/1986	Evans
4,470,266	A	9/1984	Briccetti et al.	4,630,670	A	12/1986	Wellman et al.
4,474,024	A	10/1984	Eplett et al.	4,642,034	A	2/1987	Terauchi
4,474,542	A	10/1984	Kato et al.	4,642,782	A	2/1987	Kemper et al.
4,479,389	A	10/1984	Anderson, III et al.	4,644,479	A	2/1987	Kemper et al.
4,484,452	A	11/1984	Houser, Jr.	4,646,532	A	3/1987	Nose
4,489,551	A	12/1984	Watanabe et al.	4,648,044	A	3/1987	Hardy et al.
4,490,986	A	1/1985	Paddock	4,649,515	A	3/1987	Thompson et al.
4,494,383	A	1/1985	Nagatomo et al.	4,649,710	A	3/1987	Inoue et al.
4,495,779	A	1/1985	Tanaka et al.	4,653,280	A	3/1987	Hansen et al.
4,496,296	A	1/1985	Arai et al.	4,653,285	A	3/1987	Pohl
4,497,031	A	1/1985	Froehling et al.	4,655,688	A	4/1987	Bohn et al.
4,498,310	A	2/1985	Imanishi et al.	4,660,386	A	4/1987	Hansen et al.
4,499,739	A	2/1985	Matsuoka et al.	4,662,184	A	5/1987	Pohl et al.
4,502,084	A	2/1985	Hannett	4,674,292	A	6/1987	Ohya et al.
4,502,833	A	3/1985	Hibino et al.	4,677,830	A	7/1987	Sumikawa et al.
4,502,842	A	3/1985	Currier et al.	4,680,940	A	7/1987	Vaughn
4,502,843	A	3/1985	Martin	4,682,473	A	7/1987	Rogers, III
4,505,125	A	3/1985	Baglione	4,684,060	A	8/1987	Adams et al.
4,506,518	A	3/1985	Yoshikawa et al.	4,685,615	A	8/1987	Hart
4,507,934	A	4/1985	Tanaka et al.	4,686,835	A	8/1987	Alsenz
4,510,547	A	4/1985	Rudich, Jr.	4,689,967	A	9/1987	Han et al.
4,510,576	A	4/1985	MacArthur et al.	4,697,431	A	10/1987	Alsenz
4,512,161	A	4/1985	Logan et al.	4,698,978	A	10/1987	Jones
4,516,407	A	5/1985	Watabe	4,698,981	A	10/1987	Kaneko et al.
4,517,468	A	5/1985	Kemper et al.	4,701,824	A	10/1987	Beggs et al.
4,520,674	A	6/1985	Canada et al.	4,703,325	A	10/1987	Chamberlin et al.
4,523,435	A	6/1985	Lord	4,706,152	A	11/1987	DeFilippis et al.
4,523,436	A	6/1985	Schedel et al.	4,706,469	A	11/1987	Oguni et al.
				4,712,648	A	12/1987	Mattes et al.
				4,713,717	A	12/1987	Pejouhy et al.
				4,715,190	A	12/1987	Han et al.
				4,715,792	A	12/1987	Nishizawa et al.

(56)

References Cited

U.S. PATENT DOCUMENTS

4,716,582	A	12/1987	Blanchard et al.	4,916,912	A	4/1990	Levine et al.
4,716,957	A	1/1988	Thompson et al.	4,918,690	A	4/1990	Markkula, Jr. et al.
4,720,980	A	1/1988	Howland	4,918,932	A	4/1990	Gustafson et al.
4,722,018	A	1/1988	Pohl	4,924,404	A	5/1990	Reinke, Jr.
4,722,019	A	1/1988	Pohl	4,924,418	A	5/1990	Bachman et al.
4,724,678	A	2/1988	Pohl	4,928,750	A	5/1990	Nurczyk
4,735,054	A	4/1988	Beckey	4,932,588	A	6/1990	Fedter et al.
4,735,060	A	4/1988	Alsenz	4,939,909	A	7/1990	Tsuchiyama et al.
4,744,223	A	5/1988	Umezu	4,943,003	A	7/1990	Shimizu et al.
4,745,765	A	5/1988	Pettitt	4,944,160	A	7/1990	Malone et al.
4,745,766	A	5/1988	Bahr	4,945,491	A	7/1990	Rishel
4,745,767	A	5/1988	Ohya et al.	4,948,040	A	8/1990	Kobayashi et al.
4,750,332	A	6/1988	Jenski et al.	4,949,550	A	8/1990	Hanson
4,750,672	A	6/1988	Beckey et al.	4,953,784	A	9/1990	Yasufuku et al.
4,751,501	A	6/1988	Gut	4,959,970	A	10/1990	Meckler
4,751,825	A	6/1988	Voorhis et al.	4,964,060	A	10/1990	Hartsog
4,754,410	A	6/1988	Leech et al.	4,964,125	A	10/1990	Kim
4,755,957	A	7/1988	White et al.	4,966,006	A	10/1990	Thuesen et al.
4,765,150	A	8/1988	Persem	4,967,567	A	11/1990	Proctor et al.
4,768,346	A	9/1988	Mathur	4,970,496	A	11/1990	Kirkpatrick
4,768,348	A	9/1988	Noguchi	4,974,427	A	12/1990	Diab
4,783,752	A	11/1988	Kaplan et al.	4,974,665	A	12/1990	Zillner, Jr.
4,787,213	A	11/1988	Gras et al.	4,975,024	A	12/1990	Heckel
4,790,142	A	12/1988	Beckey	4,977,751	A	12/1990	Hanson
4,796,142	A	1/1989	Libert	4,985,857	A	1/1991	Bajpai et al.
4,796,466	A	1/1989	Farmer	4,987,748	A	1/1991	Meckler
4,798,055	A	1/1989	Murray et al.	4,990,057	A	2/1991	Rollins
4,805,118	A	2/1989	Rishel	4,990,893	A	2/1991	Kiluk
4,807,445	A	2/1989	Matsuoka et al.	4,991,770	A	2/1991	Bird et al.
4,820,130	A	4/1989	Eber et al.	5,000,009	A	3/1991	Clanin
4,829,779	A	5/1989	Munson et al.	5,005,365	A	4/1991	Lynch
4,831,560	A	5/1989	Zaleski	5,009,074	A	4/1991	Goubeaux et al.
4,831,832	A	5/1989	Alsenz	5,009,075	A	4/1991	Okoren
4,831,833	A	5/1989	Duenes et al.	5,009,076	A	4/1991	Winslow
4,835,706	A	5/1989	Asahi	5,012,629	A	5/1991	Rehman et al.
4,835,980	A	6/1989	Oyanagi et al.	5,018,357	A	5/1991	Livingstone et al.
4,838,037	A	6/1989	Wood	5,018,665	A	5/1991	Sulmone
4,841,734	A	6/1989	Torrence	RE33,620	E	6/1991	Persem
4,843,575	A	6/1989	Crane	5,022,234	A	6/1991	Goubeaux et al.
4,845,956	A	7/1989	Berntsen et al.	5,039,009	A	8/1991	Baldwin et al.
4,848,099	A	7/1989	Beckey et al.	5,042,264	A	8/1991	Dudley
4,848,100	A	7/1989	Barthel et al.	5,051,720	A	9/1991	Kittirutsunetorn
4,850,198	A	7/1989	Helt et al.	5,054,294	A	10/1991	Dudley
4,850,204	A	7/1989	Bos et al.	5,056,036	A	10/1991	Van Bork
4,852,363	A	8/1989	Kampf et al.	5,056,329	A	10/1991	Wilkinson
4,853,693	A	8/1989	Eaton-Williams	5,058,388	A	10/1991	Shaw et al.
4,856,286	A	8/1989	Sulfstede et al.	5,062,278	A	11/1991	Sugiyama
4,858,676	A	8/1989	Bolfik et al.	5,065,593	A	11/1991	Dudley et al.
4,866,635	A	9/1989	Kahn et al.	5,067,099	A	11/1991	McCown et al.
4,866,944	A	9/1989	Yamazaki	RE33,775	E	12/1991	Behr et al.
4,869,073	A	9/1989	Kawai et al.	5,070,468	A	12/1991	Niinomi et al.
4,873,836	A	10/1989	Thompson	5,071,065	A	12/1991	Aalto et al.
4,875,589	A	10/1989	Lacey et al.	5,073,091	A	12/1991	Burgess et al.
4,877,382	A	10/1989	Caillat et al.	5,073,862	A	12/1991	Carlson
4,878,355	A	11/1989	Beckey et al.	5,076,067	A	12/1991	Prenger et al.
4,881,184	A	11/1989	Abegg, III et al.	5,076,494	A	12/1991	Ripka
4,882,747	A	11/1989	Williams	5,077,983	A	1/1992	Dudley
4,882,908	A	11/1989	White	5,083,438	A	1/1992	McMullin
4,884,412	A	12/1989	Sellers et al.	5,086,385	A	2/1992	Launey et al.
4,885,707	A	12/1989	Nichol et al.	5,088,297	A	2/1992	Maruyama et al.
4,885,914	A	12/1989	Pearman	5,094,086	A	3/1992	Shyu
4,887,436	A	12/1989	Enomoto et al.	5,095,712	A	3/1992	Narreau
4,887,857	A	12/1989	VanOmmeren	5,095,715	A	3/1992	Dudley
4,889,280	A	12/1989	Grald et al.	5,099,654	A	3/1992	Baruschke et al.
4,893,480	A	1/1990	Matsui et al.	5,102,316	A	4/1992	Caillat et al.
4,899,551	A	2/1990	Weintraub	5,103,391	A	4/1992	Barrett
4,903,500	A	2/1990	Hanson	5,107,500	A	4/1992	Wakamoto et al.
4,903,759	A	2/1990	Lapeyrouse	5,109,222	A	4/1992	Welty
4,904,993	A	2/1990	Sato	5,109,676	A	5/1992	Waters et al.
4,909,041	A	3/1990	Jones	5,109,700	A	5/1992	Hicho
4,909,076	A	3/1990	Busch et al.	5,109,916	A	5/1992	Thompson
4,910,966	A	3/1990	Levine et al.	5,115,406	A	5/1992	Zatezalo et al.
4,913,625	A	4/1990	Gerlowski	5,115,643	A	5/1992	Hayata et al.
4,916,633	A	4/1990	Tychonievich et al.	5,115,644	A	5/1992	Alsenz
4,916,909	A	4/1990	Mathur et al.	5,115,967	A	5/1992	Wedekind
				5,118,260	A	6/1992	Fraser, Jr.
				5,119,466	A	6/1992	Suzuki
				5,119,637	A	6/1992	Bard et al.
				5,121,610	A	6/1992	Atkinson et al.

(56)

References Cited

U.S. PATENT DOCUMENTS

5,123,017 A	6/1992	Simpkins et al.	5,351,037 A	9/1994	Martell et al.
5,123,252 A	6/1992	Hanson	5,362,206 A	11/1994	Westerman et al.
5,123,253 A	6/1992	Hanson et al.	5,362,211 A	11/1994	Iizuka et al.
5,123,255 A	6/1992	Ohizumi	5,368,446 A	11/1994	Rode
5,125,067 A	6/1992	Erdman	5,369,958 A	12/1994	Kasai et al.
RE34,001 E	7/1992	Wrobel	5,381,669 A	1/1995	Bahel et al.
5,127,232 A	7/1992	Paige et al.	5,381,692 A	1/1995	Winslow et al.
5,131,237 A	7/1992	Valbjorn	5,388,176 A	2/1995	Dykstra et al.
5,136,855 A	8/1992	Lenarduzzi	5,395,042 A	3/1995	Riley et al.
5,140,394 A	8/1992	Cobb, III et al.	5,410,230 A	4/1995	Bessler et al.
5,141,407 A	8/1992	Ramsey et al.	5,414,792 A	5/1995	Shorey
5,142,877 A	9/1992	Shimizu	5,415,008 A	5/1995	Bessler
5,150,584 A	9/1992	Tomasov et al.	5,416,781 A	5/1995	Ruiz
5,156,539 A	10/1992	Anderson et al.	5,423,190 A	6/1995	Friedland
5,167,494 A	12/1992	Inagaki et al.	5,423,192 A	6/1995	Young et al.
5,170,935 A	12/1992	Federspiel et al.	5,426,952 A	6/1995	Bessler
5,170,936 A	12/1992	Kubo et al.	5,431,026 A	7/1995	Jaster
5,181,389 A	1/1993	Hanson et al.	5,432,500 A	7/1995	Scripps
5,186,014 A	2/1993	Runk	5,435,145 A	7/1995	Jaster
5,197,666 A	3/1993	Wedekind	5,435,148 A	7/1995	Sandofsky et al.
5,199,855 A	4/1993	Nakajima et al.	5,440,890 A	8/1995	Bahel et al.
5,200,872 A	4/1993	D'Entremont et al.	5,440,891 A	8/1995	Hindmon, Jr. et al.
5,200,987 A	4/1993	Gray	5,440,895 A	8/1995	Bahel et al.
5,201,862 A	4/1993	Pettitt	5,446,677 A	8/1995	Jensen et al.
5,203,178 A	4/1993	Shyu	5,450,359 A	9/1995	Sharma et al.
5,203,179 A	4/1993	Powell	5,452,291 A	9/1995	Eisenhandler et al.
5,209,076 A	5/1993	Kauffman et al.	5,454,229 A	10/1995	Hanson et al.
5,209,400 A	5/1993	Winslow et al.	5,457,965 A	10/1995	Blair et al.
5,219,041 A	6/1993	Greve	5,460,006 A	10/1995	Torimitsu
5,224,354 A	7/1993	Ito et al.	5,467,011 A	11/1995	Hunt
5,224,835 A	7/1993	Oltman	5,467,264 A	11/1995	Rauch et al.
5,226,472 A	7/1993	Benevelli et al.	5,469,045 A	11/1995	Dove et al.
5,228,300 A	7/1993	Shim	5,475,986 A	12/1995	Bahel et al.
5,228,304 A	7/1993	Ryan	5,478,212 A	12/1995	Sakai et al.
5,228,307 A	7/1993	Koce	5,481,481 A	1/1996	Frey et al.
5,230,223 A	7/1993	Hullar et al.	5,481,884 A	1/1996	Scoccia
5,231,844 A	8/1993	Park	5,483,141 A	1/1996	Uesugi
5,233,841 A	8/1993	Jyrek	5,491,978 A	2/1996	Young et al.
5,235,526 A	8/1993	Saffell	5,495,722 A	3/1996	Manson et al.
5,237,830 A	8/1993	Grant	5,499,512 A	3/1996	Jurewicz et al.
5,241,664 A	8/1993	Ohba et al.	5,509,786 A	4/1996	Mizutani et al.
5,241,833 A	9/1993	Ohkoshi	5,511,387 A	4/1996	Tinsler
5,243,827 A	9/1993	Hagita et al.	5,512,883 A	4/1996	Lane, Jr.
5,243,829 A	9/1993	Bessler	5,515,267 A	5/1996	Alsenz
5,245,833 A	9/1993	Mei et al.	5,515,692 A	5/1996	Sterber et al.
5,248,244 A	9/1993	Ho et al.	5,519,301 A	5/1996	Yoshida et al.
5,251,453 A	10/1993	Stanke et al.	5,519,337 A	5/1996	Casada
5,251,454 A	10/1993	Yoon	5,528,908 A	6/1996	Bahel et al.
5,255,977 A	10/1993	Eimer et al.	5,532,534 A	7/1996	Baker et al.
5,257,506 A	11/1993	DeWolf et al.	5,533,347 A	7/1996	Ott et al.
5,262,704 A	11/1993	Farr	5,535,136 A	7/1996	Standifer
5,265,434 A	11/1993	Alsenz	5,535,597 A	7/1996	An
5,269,458 A	12/1993	Sol	5,546,015 A	8/1996	Okabe
5,271,556 A	12/1993	Helt et al.	5,546,073 A	8/1996	Duff et al.
5,274,571 A	12/1993	Hesse et al.	5,546,756 A	8/1996	Ali
5,276,630 A	1/1994	Baldwin et al.	5,546,757 A	8/1996	Whipple, III
5,279,458 A	1/1994	DeWolf et al.	5,548,966 A	8/1996	Tinsler
5,282,728 A	2/1994	Swain	5,555,195 A	9/1996	Jensen et al.
5,284,026 A	2/1994	Powell	5,562,426 A	10/1996	Watanabe et al.
5,285,646 A	2/1994	TaeDuk	5,563,490 A	10/1996	Kawaguchi et al.
5,289,362 A	2/1994	Liebl et al.	5,564,280 A	10/1996	Schilling et al.
5,290,154 A	3/1994	Kotlarek et al.	5,566,084 A	10/1996	Cmar
5,291,752 A	3/1994	Alvarez et al.	5,570,085 A	10/1996	Bertsch
5,299,504 A	4/1994	Abele	5,570,258 A	10/1996	Manning
5,303,112 A	4/1994	Zulaski et al.	5,572,643 A	11/1996	Judson
5,303,560 A	4/1994	Hanson et al.	5,577,905 A	11/1996	Momber et al.
5,311,451 A	5/1994	Barrett	5,579,648 A	12/1996	Hanson et al.
5,311,562 A	5/1994	Palusamy et al.	5,581,229 A	12/1996	Hunt
5,316,448 A	5/1994	Ziegler et al.	5,586,445 A	12/1996	Bessler
5,320,506 A	6/1994	Fogt	5,586,446 A	12/1996	Torimitsu
5,333,460 A	8/1994	Lewis et al.	5,590,830 A	1/1997	Kettler et al.
5,335,507 A	8/1994	Powell	5,592,058 A	1/1997	Archer et al.
5,336,058 A	8/1994	Yokoyama	5,592,824 A	1/1997	Sogabe et al.
5,337,576 A	8/1994	Dorfman et al.	5,596,507 A	1/1997	Jones et al.
5,347,476 A	9/1994	McBean, Sr.	5,600,960 A	2/1997	Schwedler et al.
			5,602,749 A	2/1997	Vosburgh
			5,602,757 A	2/1997	Haseley et al.
			5,602,761 A	2/1997	Spoerre et al.
			5,610,339 A	3/1997	Haseley et al.

(56)

References Cited

U.S. PATENT DOCUMENTS

5,611,674 A	3/1997	Bass et al.	5,904,049 A	5/1999	Jaster et al.
5,613,841 A	3/1997	Bass et al.	5,918,200 A	6/1999	Tsutsui et al.
5,615,071 A	3/1997	Higashikata et al.	5,924,295 A	7/1999	Park
5,616,829 A	4/1997	Balaschak et al.	5,924,486 A	7/1999	Ehlers et al.
5,623,834 A	4/1997	Bahel et al.	5,926,103 A	7/1999	Petite
5,628,201 A	5/1997	Bahel et al.	5,926,531 A	7/1999	Petite
5,630,325 A	5/1997	Bahel et al.	5,930,773 A	7/1999	Crooks et al.
5,635,896 A	6/1997	Tinsley et al.	5,934,087 A	8/1999	Watanabe et al.
5,641,270 A	6/1997	Sgourakes et al.	5,939,974 A	8/1999	Heagle et al.
5,643,482 A	7/1997	Sandelman et al.	5,946,922 A	9/1999	Viard et al.
5,650,936 A	7/1997	Loucks et al.	5,947,693 A	9/1999	Yang
5,651,263 A	7/1997	Nonaka et al.	5,947,701 A	9/1999	Hugenroth
5,655,379 A	8/1997	Jaster et al.	5,949,677 A	9/1999	Ho
5,655,380 A	8/1997	Calton	5,950,443 A	9/1999	Meyer et al.
5,656,765 A	8/1997	Gray	5,953,490 A	9/1999	Wiklund et al.
5,656,767 A	8/1997	Garvey, III et al.	5,956,658 A	9/1999	McMahon
5,666,815 A	9/1997	Aloise	5,971,712 A	10/1999	Kann
5,682,949 A	11/1997	Ratcliffe et al.	5,975,854 A	11/1999	Culp, III et al.
5,684,463 A	11/1997	Diercks et al.	5,984,645 A	11/1999	Cummings
5,689,963 A	11/1997	Bahel et al.	5,986,571 A	11/1999	Flick
5,691,692 A	11/1997	Herbstritt	5,987,903 A	11/1999	Bathla
5,694,010 A	12/1997	Oomura et al.	5,988,986 A	11/1999	Brinken et al.
5,696,501 A	12/1997	Ouellette et al.	5,995,347 A	11/1999	Rudd et al.
5,699,670 A	12/1997	Jurewicz et al.	5,995,351 A	11/1999	Katsumata et al.
5,706,007 A	1/1998	Fraguito et al.	6,006,142 A	12/1999	Seem et al.
5,707,210 A	1/1998	Ramsey et al.	6,006,171 A	12/1999	Vines et al.
5,711,785 A	1/1998	Maxwell	6,011,368 A	1/2000	Kalpathi et al.
5,713,724 A	2/1998	Centers et al.	6,013,108 A	1/2000	Karolys et al.
5,714,931 A	2/1998	Petite et al.	6,017,192 A	1/2000	Clack et al.
5,715,704 A	2/1998	Cholkeri et al.	6,020,702 A	2/2000	Farr
5,718,822 A	2/1998	Richter	6,023,420 A	2/2000	McCormick et al.
5,724,571 A	3/1998	Woods	6,026,651 A	2/2000	Sandelman
5,729,474 A	3/1998	Hildebrand et al.	6,028,522 A	2/2000	Petite
5,737,931 A	4/1998	Ueno et al.	6,035,653 A	3/2000	Itoh et al.
5,741,120 A	4/1998	Bass et al.	6,035,661 A	3/2000	Sunaga et al.
5,743,109 A	4/1998	Schulak	6,038,871 A	3/2000	Gutierrez et al.
5,745,114 A	4/1998	King et al.	6,041,605 A	3/2000	Heinrichs
5,749,238 A	5/1998	Schmidt	6,041,609 A	3/2000	Hornsleth et al.
5,751,916 A	5/1998	Kon et al.	6,041,856 A	3/2000	Thrasher et al.
5,752,385 A	5/1998	Nelson	6,042,344 A	3/2000	Lifson
5,754,450 A	5/1998	Solomon et al.	6,044,062 A	3/2000	Brownrigg et al.
5,754,732 A	5/1998	Vlahu	6,047,557 A	4/2000	Pham et al.
5,757,664 A	5/1998	Rogers et al.	6,050,098 A	4/2000	Meyer et al.
5,757,892 A	5/1998	Blanchard et al.	6,050,780 A	4/2000	Hasegawa et al.
5,761,083 A	6/1998	Brown, Jr. et al.	6,052,731 A	4/2000	Holdsworth et al.
5,764,509 A	6/1998	Gross et al.	6,057,771 A	5/2000	Lakra
5,772,214 A	6/1998	Stark	6,065,946 A	5/2000	Lathrop
5,772,403 A	6/1998	Allison et al.	6,068,447 A	5/2000	Foege
5,782,101 A	7/1998	Dennis	6,070,110 A	5/2000	Shah et al.
5,784,232 A	7/1998	Farr	6,075,530 A	6/2000	Lucas et al.
5,790,898 A	8/1998	Kishima et al.	6,077,051 A	6/2000	Centers et al.
5,795,381 A	8/1998	Holder	6,081,750 A	6/2000	Hoffberg et al.
5,798,941 A	8/1998	McLeister	6,082,495 A	7/2000	Steinbarger et al.
5,802,860 A	9/1998	Barrows	6,082,971 A	7/2000	Gunn et al.
5,805,856 A	9/1998	Hanson	6,085,530 A	7/2000	Barito
5,807,336 A	9/1998	Russo et al.	6,088,659 A	7/2000	Kelley et al.
5,808,441 A	9/1998	Nehring	6,088,688 A	7/2000	Crooks et al.
5,810,908 A	9/1998	Gray et al.	6,092,370 A	7/2000	Tremoulet, Jr. et al.
5,812,061 A	9/1998	Simons	6,092,378 A	7/2000	Das et al.
5,825,597 A	10/1998	Young	6,092,992 A	7/2000	Imblum et al.
5,827,963 A	10/1998	Selegatto et al.	6,095,674 A	8/2000	Verissimo et al.
5,839,094 A	11/1998	French	6,098,893 A	8/2000	Berglund et al.
5,839,291 A	11/1998	Chang et al.	6,102,665 A	8/2000	Centers et al.
5,841,654 A	11/1998	Verissimo et al.	6,110,260 A	8/2000	Kubokawa
5,857,348 A	1/1999	Conry	6,119,949 A	9/2000	Lindstrom
5,860,286 A	1/1999	Tulpule	6,122,603 A	9/2000	Budike, Jr.
5,861,807 A	1/1999	Leyden et al.	6,125,642 A	10/2000	Seener et al.
5,867,998 A	2/1999	Guertin	6,128,583 A	10/2000	Dowling
5,869,960 A	2/1999	Brand	6,128,953 A	10/2000	Mizukoshi
5,873,257 A	2/1999	Peterson	6,129,527 A	10/2000	Donahoe et al.
5,875,430 A	2/1999	Koether	6,138,461 A	10/2000	Park et al.
5,875,638 A	3/1999	Tinsler	6,142,741 A	11/2000	Nishihata et al.
5,884,494 A	3/1999	Okoren et al.	6,144,888 A	11/2000	Lucas et al.
5,887,786 A	3/1999	Sandelman	6,145,328 A	11/2000	Choi
5,900,801 A	5/1999	Heagle et al.	6,147,601 A	11/2000	Sandelman et al.
			6,152,375 A	11/2000	Robison
			6,152,376 A	11/2000	Sandelman et al.
			6,153,942 A	11/2000	Roseman et al.
			6,153,993 A	11/2000	Oomura et al.

(56)

References Cited

U.S. PATENT DOCUMENTS

6,154,488	A	11/2000	Hunt	6,442,953	B1	9/2002	Trigiani et al.
6,157,310	A	12/2000	Milne et al.	6,449,972	B2	9/2002	Pham et al.
6,158,230	A	12/2000	Katsuki	6,450,771	B1	9/2002	Centers et al.
6,160,477	A	12/2000	Sandelman et al.	6,451,210	B1	9/2002	Sivavec et al.
6,169,979	B1	1/2001	Johnson	6,453,687	B2	9/2002	Sharood et al.
6,172,476	B1	1/2001	Tolbert, Jr. et al.	6,454,177	B1	9/2002	Sasao et al.
6,174,136	B1	1/2001	Kilayko et al.	6,454,538	B1	9/2002	Witham et al.
6,176,683	B1	1/2001	Yang	6,456,928	B1	9/2002	Johnson
6,176,686	B1	1/2001	Wallis et al.	6,457,319	B1	10/2002	Ota et al.
6,177,884	B1	1/2001	Hunt et al.	6,457,948	B1	10/2002	Pham
6,178,362	B1	1/2001	Woolard et al.	6,460,731	B2	10/2002	Estelle et al.
6,179,214	B1	1/2001	Key et al.	6,462,654	B1	10/2002	Sandelman et al.
6,181,033	B1	1/2001	Wright	6,463,747	B1	10/2002	Temple
6,190,442	B1	2/2001	Redner	6,466,971	B1	10/2002	Humpleman et al.
6,191,545	B1	2/2001	Kawabata et al.	6,467,280	B2	10/2002	Pham et al.
6,192,282	B1	2/2001	Smith et al.	6,471,486	B1	10/2002	Centers et al.
6,199,018	B1	3/2001	Quist et al.	6,474,084	B2	11/2002	Gauthier et al.
6,211,782	B1	4/2001	Sandelman et al.	6,484,520	B2	11/2002	Kawaguchi et al.
6,213,731	B1	4/2001	Doepker et al.	6,487,457	B1	11/2002	Hull et al.
6,215,405	B1	4/2001	Handley et al.	6,490,506	B1	12/2002	March
6,216,956	B1	4/2001	Ehlers et al.	6,492,923	B1	12/2002	Inoue et al.
6,218,953	B1	4/2001	Petite	6,497,554	B2	12/2002	Yang et al.
6,223,543	B1	5/2001	Sandelman	6,501,240	B2	12/2002	Ueda et al.
6,223,544	B1	5/2001	Seem	6,501,629	B1	12/2002	Marriott
6,228,155	B1	5/2001	Tai	6,502,409	B1	1/2003	Gatling et al.
6,230,501	B1	5/2001	Bailey, Sr. et al.	6,505,087	B1	1/2003	Lucas et al.
6,233,327	B1	5/2001	Petite	6,505,475	B1	1/2003	Zugibe et al.
6,234,019	B1	5/2001	Caldeira	6,510,350	B1	1/2003	Steen, III et al.
6,240,733	B1	6/2001	Brandon et al.	6,522,974	B2	2/2003	Sitton
6,240,736	B1	6/2001	Fujita et al.	6,523,130	B1	2/2003	Hickman et al.
6,244,061	B1	6/2001	Takagi et al.	6,526,766	B1	3/2003	Hiraoka et al.
6,249,516	B1	6/2001	Brownrigg et al.	6,529,590	B1	3/2003	Centers
6,260,004	B1	7/2001	Hays et al.	6,529,839	B1	3/2003	Uggerud et al.
6,266,968	B1	7/2001	Redlich	6,533,552	B2	3/2003	Centers et al.
6,268,664	B1	7/2001	Rolls et al.	6,535,123	B2	3/2003	Sandelman et al.
6,272,868	B1	8/2001	Grabon et al.	6,535,270	B1	3/2003	Murayama
6,276,901	B1	8/2001	Farr et al.	6,535,859	B1	3/2003	Yablonowski et al.
6,279,332	B1	8/2001	Yeo et al.	6,537,034	B2	3/2003	Park et al.
6,290,043	B1	9/2001	Ginder et al.	6,542,062	B1	4/2003	Herrick
6,293,114	B1	9/2001	Kamemoto	6,549,135	B2	4/2003	Singh et al.
6,293,767	B1	9/2001	Bass	6,551,069	B2	4/2003	Narney, II et al.
6,302,654	B1	10/2001	Millet et al.	6,553,774	B1	4/2003	Ishio et al.
6,304,934	B1	10/2001	Pimenta et al.	6,558,126	B1	5/2003	Hahn et al.
6,320,275	B1	11/2001	Okamoto et al.	6,560,976	B2	5/2003	Jayanth
6,324,854	B1	12/2001	Jayanth	6,571,280	B1	5/2003	Hubacher
6,327,541	B1	12/2001	Pitchford et al.	6,571,566	B1	6/2003	Temple et al.
6,332,327	B1	12/2001	Street et al.	6,571,586	B1	6/2003	Ritson et al.
6,334,093	B1	12/2001	More	6,574,561	B2	6/2003	Alexander et al.
6,349,883	B1	2/2002	Simmons et al.	6,577,959	B1	6/2003	Chajec et al.
6,350,111	B1	2/2002	Perevozchikov et al.	6,577,962	B1	6/2003	Afshari
6,359,410	B1	3/2002	Randolph	6,578,373	B1	6/2003	Barbier
6,360,551	B1	3/2002	Renders	6,583,720	B1	6/2003	Quigley
6,366,889	B1	4/2002	Zaloom	6,589,029	B1	7/2003	Heller
6,368,065	B1	4/2002	Hugenroth et al.	6,591,620	B2	7/2003	Kikuchi et al.
6,375,439	B1	4/2002	Missio	6,595,475	B2	7/2003	Svabek et al.
6,378,315	B1	4/2002	Gelber et al.	6,595,757	B2	7/2003	Shen
6,381,971	B2	5/2002	Honda	6,598,056	B1	7/2003	Hull et al.
6,385,510	B1	5/2002	Hoog et al.	6,601,397	B2	8/2003	Pham et al.
6,389,823	B1	5/2002	Loprete et al.	6,604,093	B1	8/2003	Etzion et al.
6,390,779	B1	5/2002	Cunkelman	6,609,070	B1	8/2003	Lueck
6,391,102	B1	5/2002	Bodden et al.	6,609,078	B2	8/2003	Starling et al.
6,393,848	B2	5/2002	Roh et al.	6,615,594	B2	9/2003	Jayanth et al.
6,397,606	B1	6/2002	Roh et al.	6,616,415	B1	9/2003	Renken et al.
6,397,612	B1	6/2002	Kernkamp et al.	6,618,578	B1	9/2003	Petite
6,406,265	B1	6/2002	Hahn et al.	6,618,709	B1	9/2003	Sneeringer
6,406,266	B1	6/2002	Hugenroth et al.	6,621,443	B1	9/2003	Selli et al.
6,408,228	B1	6/2002	Seem et al.	6,622,925	B2	9/2003	Carrier et al.
6,408,258	B1	6/2002	Richer	6,622,926	B1	9/2003	Sartain et al.
6,412,293	B1	7/2002	Pham et al.	6,628,764	B1	9/2003	Petite
6,414,594	B1	7/2002	Guerlain	6,629,420	B2	10/2003	Renders
6,430,268	B1	8/2002	Petite	6,630,749	B1	10/2003	Takagi et al.
6,433,791	B2	8/2002	Selli et al.	6,631,298	B1	10/2003	Pagnano et al.
6,437,691	B1	8/2002	Sandelman et al.	6,636,893	B1	10/2003	Fong
6,437,692	B1	8/2002	Petite et al.	6,643,567	B2	11/2003	Kolk et al.
6,438,981	B1	8/2002	Whiteside	6,644,848	B1	11/2003	Clayton et al.
				6,647,735	B2	11/2003	Street et al.
				6,658,345	B2	12/2003	Miller
				6,658,373	B2	12/2003	Rossi et al.
				6,662,584	B1	12/2003	Whiteside

(56)

References Cited

U.S. PATENT DOCUMENTS

6,662,653	B1	12/2003	Scaliante et al.	6,986,469	B2	1/2006	Gauthier et al.
6,671,586	B2	12/2003	Davis et al.	6,987,450	B2	1/2006	Marino et al.
6,672,846	B2	1/2004	Rajendran et al.	6,990,821	B2	1/2006	Singh et al.
6,675,591	B2	1/2004	Singh et al.	6,992,452	B1	1/2006	Sachs et al.
6,679,072	B2	1/2004	Pham et al.	6,996,441	B1	2/2006	Tobias
6,684,349	B2	1/2004	Gullo et al.	6,997,390	B2	2/2006	Alles
6,685,438	B2	2/2004	Yoo et al.	6,998,807	B2	2/2006	Phillips et al.
6,698,218	B2	3/2004	Goth et al.	6,998,963	B2	2/2006	Flen et al.
6,701,725	B2	3/2004	Rossi et al.	6,999,996	B2	2/2006	Sunderland
6,708,083	B2	3/2004	Orthlieb et al.	7,000,422	B2	2/2006	Street et al.
6,708,508	B2	3/2004	Demuth et al.	7,003,378	B2	2/2006	Poth
6,709,244	B2	3/2004	Pham	7,009,510	B1	3/2006	Douglass et al.
6,711,470	B1	3/2004	Hartenstein et al.	7,010,925	B2	3/2006	Siemel et al.
6,711,911	B1	3/2004	Grabon et al.	7,019,667	B2	3/2006	Petite et al.
6,717,513	B1	4/2004	Sandelman et al.	7,024,665	B2	4/2006	Ferraz et al.
6,721,770	B1	4/2004	Morton et al.	7,024,870	B2	4/2006	Singh et al.
6,725,182	B2	4/2004	Pagnano et al.	7,030,752	B2	4/2006	Tyroler
6,732,538	B2	5/2004	Trigiani et al.	7,031,880	B1	4/2006	Seem et al.
6,745,107	B1	6/2004	Miller	7,035,693	B2	4/2006	Cassiolato et al.
6,747,557	B1	6/2004	Petite et al.	7,039,532	B2	5/2006	Hunter
6,757,665	B1	6/2004	Unsworth et al.	7,042,180	B2	5/2006	Terry et al.
6,758,050	B2	7/2004	Jayanth et al.	7,042,350	B2	5/2006	Patrick et al.
6,758,051	B2	7/2004	Jayanth et al.	7,043,339	B2	5/2006	Maeda et al.
6,760,207	B2	7/2004	Wyatt et al.	7,043,459	B2	5/2006	Peevey
6,772,096	B2	8/2004	Murakami et al.	7,047,753	B2	5/2006	Street et al.
6,772,598	B1	8/2004	Rinehart	7,053,766	B2	5/2006	Fisler et al.
6,775,995	B1	8/2004	Bahel et al.	7,053,767	B2	5/2006	Petite et al.
6,784,807	B2	8/2004	Petite et al.	7,054,271	B2	5/2006	Brownrigg et al.
6,785,592	B1	8/2004	Smith et al.	7,062,580	B2	6/2006	Donaires
6,786,473	B1	9/2004	Alles	7,062,830	B2	6/2006	Alles
6,799,951	B2	10/2004	Lifson et al.	7,063,537	B2	6/2006	Selli et al.
6,804,993	B2	10/2004	Selli	7,072,797	B2	7/2006	Gorinevsky
6,811,380	B2	11/2004	Kim	7,075,327	B2	7/2006	Dimino et al.
6,813,897	B1	11/2004	Bash et al.	7,079,810	B2	7/2006	Petite et al.
6,816,811	B2	11/2004	Seem	7,079,967	B2	7/2006	Rossi et al.
6,823,680	B2	11/2004	Jayanth	7,082,380	B2	7/2006	Wiebe et al.
6,829,542	B1	12/2004	Reynolds et al.	7,089,125	B2	8/2006	Sonderegger
6,832,120	B1	12/2004	Frank et al.	7,091,847	B2	8/2006	Capowski et al.
6,832,898	B2	12/2004	Yoshida et al.	7,092,767	B2	8/2006	Pagnano et al.
6,836,737	B2	12/2004	Petite et al.	7,092,794	B1	8/2006	Hill et al.
6,837,922	B2	1/2005	Gorin	7,096,153	B2	8/2006	Guralnik et al.
6,839,790	B2	1/2005	Barros De Almeida et al.	7,102,490	B2	9/2006	Flen et al.
6,854,345	B2	2/2005	Alves et al.	7,103,511	B2	9/2006	Petite
6,862,498	B2	3/2005	Davis et al.	7,110,843	B2	9/2006	Pagnano et al.
6,868,678	B2	3/2005	Mei et al.	7,110,898	B2	9/2006	Montijo et al.
6,868,686	B2	3/2005	Ueda et al.	7,113,376	B2	9/2006	Nomura et al.
6,869,272	B2	3/2005	Odachi et al.	7,114,343	B2	10/2006	Kates
6,870,486	B2	3/2005	Souza et al.	7,123,020	B2	10/2006	Hill et al.
6,885,949	B2	4/2005	Selli	7,123,458	B2	10/2006	Mohr et al.
6,889,173	B2	5/2005	Singh	7,124,728	B2	10/2006	Carey et al.
6,891,838	B1	5/2005	Petite et al.	7,126,465	B2	10/2006	Faltsek
6,892,546	B2	5/2005	Singh et al.	7,130,170	B2	10/2006	Wakefield et al.
6,897,772	B1	5/2005	Scheffler et al.	7,130,832	B2	10/2006	Bannai et al.
6,900,738	B2	5/2005	Crichlow	7,134,295	B2	11/2006	Maekawa
6,901,066	B1	5/2005	Helgeson	7,137,550	B1	11/2006	Petite
6,904,385	B1	6/2005	Budike, Jr.	7,142,125	B2	11/2006	Larson et al.
6,914,533	B2	7/2005	Petite	7,145,438	B2	12/2006	Flen et al.
6,914,893	B2	7/2005	Petite	7,145,462	B2	12/2006	Dewing et al.
6,922,155	B1	7/2005	Evans et al.	7,159,408	B2	1/2007	Sadegh et al.
6,931,445	B2	8/2005	Davis	7,162,884	B2	1/2007	Alles
6,934,862	B2	8/2005	Sharood et al.	7,163,158	B2	1/2007	Rossi et al.
6,952,658	B2	10/2005	Greulich et al.	7,171,372	B2	1/2007	Daniel et al.
6,953,630	B2	10/2005	Wells	7,174,728	B2	2/2007	Jayanth
6,956,344	B2	10/2005	Robertson et al.	7,180,412	B2	2/2007	Bonicatto et al.
6,964,558	B2	11/2005	Hahn et al.	7,184,861	B2	2/2007	Petite
6,966,759	B2	11/2005	Hahn et al.	7,188,482	B2	3/2007	Sadegh et al.
6,968,295	B1	11/2005	Carr	7,188,779	B2	3/2007	Alles
6,973,410	B2	12/2005	Seigel	7,201,006	B2	4/2007	Kates
6,973,793	B2	12/2005	Douglas et al.	7,207,496	B2	4/2007	Alles
6,973,794	B2	12/2005	Street et al.	7,209,840	B2	4/2007	Petite et al.
6,976,366	B2	12/2005	Starling et al.	7,212,887	B2	5/2007	Shah et al.
6,978,225	B2	12/2005	Retlich et al.	7,222,493	B2	5/2007	Jayanth et al.
6,981,384	B2	1/2006	Dobmeier et al.	7,224,740	B2	5/2007	Hunt
6,983,321	B2	1/2006	Trinon et al.	7,225,193	B2	5/2007	Mets et al.
6,983,889	B2	1/2006	Alles	7,227,450	B2	6/2007	Garvy et al.
				7,228,691	B2	6/2007	Street et al.
				7,230,528	B2	6/2007	Kates
				7,234,313	B2	6/2007	Bell et al.
				7,236,765	B2	6/2007	Bonicatto et al.

(56)

References Cited

U.S. PATENT DOCUMENTS

7,244,294	B2	7/2007	Kates	7,552,030	B2	6/2009	Guralnik et al.
7,246,014	B2	7/2007	Forth et al.	7,552,596	B2	6/2009	Galante et al.
7,255,285	B2	8/2007	Troost et al.	7,555,364	B2	6/2009	Poth et al.
7,257,501	B2	8/2007	Zhan et al.	7,574,333	B2	8/2009	Lu
7,260,505	B2	8/2007	Felke et al.	7,580,812	B2	8/2009	Ariyur et al.
7,261,762	B2	8/2007	Kang et al.	7,594,407	B2	9/2009	Singh et al.
7,263,073	B2	8/2007	Petite et al.	7,596,959	B2	10/2009	Singh et al.
7,263,446	B2	8/2007	Morin et al.	7,606,683	B2	10/2009	Bahel et al.
7,266,812	B2	9/2007	Pagnano	7,631,508	B2	12/2009	Braun et al.
7,270,278	B2	9/2007	Street et al.	7,636,901	B2	12/2009	Munson et al.
7,274,995	B2	9/2007	Zhan et al.	7,644,591	B2	1/2010	Singh et al.
7,275,377	B2	10/2007	Kates	7,648,077	B2	1/2010	Rossi et al.
7,286,945	B2	10/2007	Zhan et al.	7,648,342	B2	1/2010	Jayanth
7,290,398	B2	11/2007	Wallace et al.	7,650,425	B2	1/2010	Davis et al.
7,290,989	B2	11/2007	Jayanth	7,660,700	B2	2/2010	Moskowitz et al.
7,295,128	B2	11/2007	Petite	7,660,774	B2	2/2010	Mukherjee et al.
7,295,896	B2	11/2007	Norbeck	7,664,613	B2	2/2010	Hansen
7,317,952	B2	1/2008	Bhandiwad et al.	7,665,315	B2	2/2010	Singh et al.
7,328,192	B1	2/2008	Stengard et al.	7,686,872	B2	3/2010	Kang
7,330,886	B2	2/2008	Childers et al.	7,693,809	B2	4/2010	Gray
7,331,187	B2	2/2008	Kates	7,697,492	B2	4/2010	Petite
7,336,168	B2	2/2008	Kates	7,703,694	B2	4/2010	Mueller et al.
7,337,191	B2	2/2008	Haerberle et al.	7,704,052	B2	4/2010	Iimura et al.
7,343,750	B2	3/2008	Lifson et al.	7,706,320	B2	4/2010	Davis et al.
7,343,751	B2	3/2008	Kates	7,724,131	B2	5/2010	Chen
7,346,463	B2	3/2008	Petite et al.	7,726,583	B2	6/2010	Maekawa
7,346,472	B1	3/2008	Moskowitz et al.	7,734,451	B2	6/2010	MacArthur et al.
7,349,824	B2	3/2008	Seigel	7,738,999	B2	6/2010	Petite
7,350,112	B2	3/2008	Fox et al.	7,739,378	B2	6/2010	Petite
7,351,274	B2	4/2008	Heft et al.	7,742,393	B2	6/2010	Bonicatto et al.
7,352,545	B2	4/2008	Wyatt et al.	7,752,853	B2	7/2010	Singh et al.
7,363,200	B2	4/2008	Lu	7,752,854	B2	7/2010	Singh et al.
7,376,712	B1	5/2008	Granatelli et al.	7,756,086	B2	7/2010	Petite et al.
7,377,118	B2	5/2008	Esslinger	7,791,468	B2	9/2010	Bonicatto et al.
7,383,030	B2	6/2008	Brown et al.	7,844,366	B2	11/2010	Singh
7,383,158	B2	6/2008	Krocker et al.	7,845,179	B2	12/2010	Singh et al.
7,392,661	B2	7/2008	Alles	7,848,827	B2	12/2010	Chen
7,397,907	B2	7/2008	Petite	7,848,900	B2	12/2010	Steinberg et al.
7,400,240	B2	7/2008	Shrode et al.	7,877,218	B2	1/2011	Bonicatto et al.
7,412,842	B2	8/2008	Pham	7,878,006	B2	2/2011	Pham
7,414,525	B2	8/2008	Costea et al.	7,885,959	B2	2/2011	Horowitz et al.
7,421,351	B2	9/2008	Navratil	7,885,961	B2	2/2011	Horowitz et al.
7,421,374	B2	9/2008	Zhan et al.	7,905,098	B2	3/2011	Pham
7,421,850	B2	9/2008	Street et al.	7,908,116	B2	3/2011	Steinberg et al.
7,424,343	B2	9/2008	Kates	7,908,117	B2	3/2011	Steinberg et al.
7,424,345	B2	9/2008	Norbeck	7,922,914	B1	4/2011	Verdegan et al.
7,424,527	B2	9/2008	Petite	7,937,623	B2	5/2011	Ramacher et al.
7,432,824	B2	10/2008	Flen et al.	7,941,294	B2	5/2011	Shahi et al.
7,433,854	B2	10/2008	Joseph et al.	7,949,494	B2	5/2011	Moskowitz et al.
7,434,742	B2	10/2008	Mueller et al.	7,949,615	B2	5/2011	Ehlers et al.
7,437,150	B1	10/2008	Morelli et al.	7,963,454	B2	6/2011	Sullivan et al.
7,440,560	B1	10/2008	Barry	7,966,152	B2	6/2011	Stluka et al.
7,440,767	B2	10/2008	Ballay et al.	7,967,218	B2	6/2011	Alles
7,443,313	B2	10/2008	Davis et al.	7,978,059	B2	7/2011	Petite et al.
7,444,251	B2	10/2008	Nikovski et al.	7,987,679	B2	8/2011	Tanaka et al.
7,445,665	B2	11/2008	Hsieh et al.	7,996,045	B1	8/2011	Bauer et al.
7,447,603	B2	11/2008	Bruno	7,999,668	B2	8/2011	Cawthorne et al.
7,447,609	B2	11/2008	Guralnik et al.	8,000,314	B2	8/2011	Brownrigg et al.
7,451,606	B2	11/2008	Harrod	8,002,199	B2	8/2011	Habegger
7,454,439	B1	11/2008	Gansner et al.	8,005,640	B2	8/2011	Chiefetz et al.
7,458,223	B2	12/2008	Pham	8,010,237	B2	8/2011	Cheung et al.
7,468,661	B2	12/2008	Petite et al.	8,013,732	B2	9/2011	Petite et al.
7,469,546	B2	12/2008	Kates	8,018,182	B2	9/2011	Roehm et al.
7,474,992	B2	1/2009	Ariyur	8,019,567	B2	9/2011	Steinberg et al.
7,480,501	B2	1/2009	Petite	8,029,608	B1	10/2011	Breslin
7,483,810	B2	1/2009	Jackson et al.	8,031,455	B2	10/2011	Paik et al.
7,484,376	B2	2/2009	Pham	8,031,650	B2	10/2011	Petite et al.
7,490,477	B2	2/2009	Singh et al.	8,034,170	B2	10/2011	Kates
7,491,034	B2	2/2009	Jayanth	8,036,844	B2	10/2011	Ling et al.
7,503,182	B2	3/2009	Bahel et al.	8,040,231	B2	10/2011	Kuruvila et al.
7,510,126	B2	3/2009	Rossi et al.	8,041,539	B2	10/2011	Guralnik et al.
7,523,619	B2	4/2009	Kojima et al.	8,046,107	B2	10/2011	Zugibe et al.
7,528,711	B2	5/2009	Kates	8,061,417	B2	11/2011	Gray
7,533,070	B2	5/2009	Guralnik et al.	8,064,412	B2	11/2011	Petite
7,537,172	B2	5/2009	Rossi et al.	8,065,886	B2	11/2011	Singh et al.
				8,068,997	B2	11/2011	Ling et al.
				8,090,477	B1	1/2012	Steinberg
				8,090,559	B2	1/2012	Parthasarathy et al.
				8,090,824	B2	1/2012	Tran et al.

(56)

References Cited

U.S. PATENT DOCUMENTS

8,095,337 B2	1/2012	Kolbet et al.	2003/0006884 A1	1/2003	Hunt
8,108,200 B2	1/2012	Anne et al.	2003/0014218 A1	1/2003	Trigiani et al.
8,125,230 B2	2/2012	Bharadwaj et al.	2003/0019221 A1	1/2003	Rossi et al.
8,131,497 B2	3/2012	Steinberg et al.	2003/0036810 A1	2/2003	Petite
8,131,506 B2	3/2012	Steinberg et al.	2003/0037555 A1	2/2003	Street et al.
8,134,330 B2	3/2012	Alles	2003/0050737 A1	3/2003	Osann
8,150,720 B2	4/2012	Singh et al.	2003/0050824 A1	3/2003	Suermondt et al.
8,156,208 B2	4/2012	Bornhoeved et al.	2003/0051490 A1	3/2003	Jayanth
8,160,827 B2	4/2012	Jayanth et al.	2003/0055603 A1	3/2003	Rossi et al.
8,170,968 B2	5/2012	Colclough et al.	2003/0055663 A1	3/2003	Struble
8,171,136 B2	5/2012	Petite	2003/0061825 A1	4/2003	Sullivan
8,175,846 B2	5/2012	Khalak et al.	2003/0063983 A1	4/2003	Ancel et al.
8,180,492 B2	5/2012	Steinberg	2003/0070438 A1	4/2003	Kikuchi et al.
8,182,579 B2	5/2012	Woo et al.	2003/0070544 A1	4/2003	Mulvaney et al.
8,214,175 B2	7/2012	Moskowitz et al.	2003/0074285 A1	4/2003	Hoffman et al.
8,228,648 B2	7/2012	Jayanth et al.	2003/0077179 A1	4/2003	Collins et al.
8,239,922 B2	8/2012	Sullivan et al.	2003/0078677 A1	4/2003	Hull et al.
8,258,763 B2	9/2012	Nakamura et al.	2003/0078742 A1	4/2003	VanderZee et al.
8,279,565 B2	10/2012	Hall et al.	2003/0089493 A1	5/2003	Takano et al.
8,280,536 B1	10/2012	Fadell et al.	2003/0094004 A1	5/2003	Pham et al.
8,328,524 B2	12/2012	Iimura et al.	2003/0108430 A1	6/2003	Yoshida et al.
8,335,657 B2	12/2012	Jayanth et al.	2003/0115890 A1	6/2003	Jayanth et al.
8,380,556 B2	2/2013	Singh et al.	2003/0135786 A1	7/2003	Vollmar et al.
8,393,169 B2	3/2013	Pham	2003/0137396 A1	7/2003	Durej et al.
8,625,244 B2	1/2014	Paik et al.	2003/0150924 A1	8/2003	Peter
9,168,315 B1	10/2015	Scaringe et al.	2003/0150926 A1	8/2003	Rosen
9,310,439 B2	4/2016	Pham et al.	2003/0150927 A1	8/2003	Rosen
9,765,979 B2	9/2017	Alsaleem et al.	2003/0171851 A1	9/2003	Brickfield et al.
2001/0005320 A1	6/2001	Ueda et al.	2003/0183085 A1	10/2003	Alexander
2001/0023596 A1	9/2001	Fujita et al.	2003/0191606 A1	10/2003	Fujiyama et al.
2001/0025349 A1	9/2001	Sharood et al.	2003/0199247 A1	10/2003	Striemer
2001/0054291 A1	12/2001	Roh et al.	2003/0205143 A1	11/2003	Cheng
2001/0054293 A1	12/2001	Gustafson et al.	2003/0213256 A1	11/2003	Ueda et al.
2001/0054294 A1	12/2001	Tsuboi	2003/0213851 A1	11/2003	Burd et al.
2002/0000092 A1	1/2002	Sharood et al.	2003/0216837 A1	11/2003	Reich et al.
2002/0013679 A1	1/2002	Petite	2003/0216888 A1	11/2003	Ridolfo
2002/0016639 A1	2/2002	Smith et al.	2003/0233172 A1	12/2003	Granqvist et al.
2002/0017057 A1	2/2002	Weder	2004/0016241 A1	1/2004	Street et al.
2002/0018724 A1	2/2002	Millet et al.	2004/0016244 A1	1/2004	Street et al.
2002/0020175 A1	2/2002	Street et al.	2004/0016251 A1	1/2004	Street et al.
2002/0029575 A1	3/2002	Okamoto	2004/0016253 A1	1/2004	Street et al.
2002/0031101 A1	3/2002	Petite et al.	2004/0019584 A1	1/2004	Greening et al.
2002/0035495 A1	3/2002	Spira et al.	2004/0024495 A1	2/2004	Sunderland
2002/0040280 A1	4/2002	Morgan	2004/0026522 A1	2/2004	Keen et al.
2002/0059803 A1	5/2002	Jayanth	2004/0037706 A1	2/2004	Hahn et al.
2002/0064463 A1	5/2002	Park et al.	2004/0042904 A1	3/2004	Kim
2002/0067999 A1	6/2002	Suitou et al.	2004/0047406 A1	3/2004	Hunt
2002/0082747 A1	6/2002	Kramer	2004/0049715 A1	3/2004	Jaw
2002/0082924 A1	6/2002	Koether	2004/0059691 A1	3/2004	Higgins
2002/0093259 A1	7/2002	Sunaga et al.	2004/0068390 A1	4/2004	Saunders
2002/0095269 A1	7/2002	Natalini et al.	2004/0078695 A1	4/2004	Bowers et al.
2002/0103655 A1	8/2002	Boies et al.	2004/0079093 A1	4/2004	Gauthier et al.
2002/0108384 A1	8/2002	Higashiyama	2004/0093879 A1	5/2004	Street et al.
2002/0113877 A1	8/2002	Welch	2004/0095237 A1	5/2004	Chen et al.
2002/0117992 A1	8/2002	Hirono et al.	2004/0111186 A1	6/2004	Rossi et al.
2002/0118106 A1	8/2002	Brenn	2004/0117166 A1	6/2004	Cassiolato
2002/0127120 A1	9/2002	Hahn et al.	2004/0133314 A1	7/2004	Ehlers et al.
2002/0138217 A1	9/2002	Shen et al.	2004/0133367 A1	7/2004	Hart
2002/0139128 A1	10/2002	Suzuki et al.	2004/0140772 A1	7/2004	Gullo et al.
2002/0143482 A1	10/2002	Karanam et al.	2004/0140812 A1	7/2004	Scallante et al.
2002/0152298 A1	10/2002	Kikta et al.	2004/0144106 A1	7/2004	Douglas et al.
2002/0157408 A1	10/2002	Egawa et al.	2004/0153437 A1	8/2004	Buchan
2002/0157409 A1	10/2002	Pham et al.	2004/0159113 A1	8/2004	Singh et al.
2002/0159890 A1	10/2002	Kajiwara et al.	2004/0159114 A1	8/2004	Demuth et al.
2002/0161545 A1	10/2002	Starling et al.	2004/0183687 A1	9/2004	Petite et al.
2002/0163436 A1	11/2002	Singh et al.	2004/0184627 A1	9/2004	Kost et al.
2002/0170299 A1	11/2002	Jayanth et al.	2004/0184928 A1	9/2004	Millet et al.
2002/0173929 A1	11/2002	Seigel	2004/0184929 A1	9/2004	Millet et al.
2002/0187057 A1	12/2002	Loprete et al.	2004/0184930 A1	9/2004	Millet et al.
2002/0189267 A1	12/2002	Singh et al.	2004/0184931 A1	9/2004	Millet et al.
2002/0193890 A1	12/2002	Pouchak	2004/0187502 A1	9/2004	Jayanth et al.
2002/0198629 A1	12/2002	Ellis	2004/0191073 A1	9/2004	Iimura et al.
2003/0004660 A1	1/2003	Hunter	2004/0199480 A1	10/2004	Unsworth et al.
2003/0004765 A1	1/2003	Wiegand	2004/0210419 A1	10/2004	Wiebe et al.
2003/0005710 A1	1/2003	Singh et al.	2004/0213384 A1	10/2004	Alles et al.
			2004/0230582 A1	11/2004	Pagnano et al.
			2004/0230899 A1	11/2004	Pagnano et al.
			2004/0239266 A1	12/2004	Lee et al.
			2004/0258542 A1	12/2004	Wiertz et al.

(56)

References Cited

U.S. PATENT DOCUMENTS

2004/0261431	A1	12/2004	Singh et al.	2006/0229739	A1	10/2006	Morikawa
2005/0040249	A1	2/2005	Wacker et al.	2006/0235650	A1	10/2006	Vinberg et al.
2005/0043923	A1	2/2005	Forster et al.	2006/0238388	A1	10/2006	Jayanth
2005/0053471	A1	3/2005	Hong et al.	2006/0242200	A1	10/2006	Horowitz et al.
2005/0056031	A1	3/2005	Jeong	2006/0244641	A1	11/2006	Jayanth et al.
2005/0066675	A1	3/2005	Manole et al.	2006/0256488	A1	11/2006	Benzing et al.
2005/0073532	A1	4/2005	Scott et al.	2006/0259276	A1	11/2006	Rossi et al.
2005/0086341	A1	4/2005	Enga et al.	2006/0271589	A1	11/2006	Horowitz et al.
2005/0100449	A1	5/2005	Hahn et al.	2006/0271623	A1	11/2006	Horowitz et al.
2005/0103036	A1	5/2005	Maekawa	2006/0280627	A1	12/2006	Jayanth
2005/0125439	A1	6/2005	Nourbakhsh et al.	2007/0002505	A1	1/2007	Watanabe et al.
2005/0126190	A1	6/2005	Lifson et al.	2007/0006124	A1	1/2007	Ahmed et al.
2005/0131624	A1	6/2005	Gaessler et al.	2007/0027735	A1	2/2007	Rokos
2005/0149570	A1	7/2005	Sasaki et al.	2007/0067512	A1	3/2007	Donaires et al.
2005/0154495	A1	7/2005	Shah	2007/0089434	A1	4/2007	Singh et al.
2005/0159924	A1	7/2005	Shah et al.	2007/0089435	A1	4/2007	Singh et al.
2005/0166610	A1	8/2005	Jayanth	2007/0089438	A1	4/2007	Singh et al.
2005/0169636	A1	8/2005	Aronson et al.	2007/0089439	A1	4/2007	Singh et al.
2005/0172647	A1	8/2005	Thybo et al.	2007/0089440	A1	4/2007	Singh et al.
2005/0188842	A1	9/2005	Hsieh et al.	2007/0101750	A1	5/2007	Pham et al.
2005/0195775	A1	9/2005	Petite et al.	2007/0159978	A1	7/2007	Anglin et al.
2005/0196285	A1	9/2005	Jayanth	2007/0186569	A1	8/2007	Street et al.
2005/0198063	A1	9/2005	Thomas et al.	2007/0204635	A1	9/2007	Tanaka et al.
2005/0201397	A1	9/2005	Petite	2007/0204921	A1	9/2007	Alles
2005/0204756	A1	9/2005	Dobmeier et al.	2007/0205296	A1	9/2007	Bell et al.
2005/0207741	A1	9/2005	Shah et al.	2007/0229305	A1	10/2007	Bonicatto et al.
2005/0214148	A1	9/2005	Ogawa et al.	2007/0239894	A1	10/2007	Thind et al.
2005/0222715	A1	10/2005	Rühnke et al.	2008/0000241	A1	1/2008	Larsen et al.
2005/0228607	A1	10/2005	Simons	2008/0015797	A1	1/2008	Kates
2005/0229612	A1	10/2005	Hrejsa et al.	2008/0016888	A1	1/2008	Kates
2005/0229777	A1	10/2005	Brown et al.	2008/0033674	A1	2/2008	Nikovski et al.
2005/0232781	A1	10/2005	Herbert et al.	2008/0051945	A1	2/2008	Kates
2005/0235660	A1	10/2005	Pham	2008/0058970	A1	3/2008	Perumalsamy et al.
2005/0235661	A1	10/2005	Pham	2008/0078289	A1	4/2008	Sergi et al.
2005/0235662	A1	10/2005	Pham	2008/0109185	A1	5/2008	Cheung et al.
2005/0235663	A1	10/2005	Pham	2008/0114569	A1	5/2008	Seigel
2005/0235664	A1	10/2005	Pham	2008/0121729	A1	5/2008	Gray
2005/0247194	A1	11/2005	Kang et al.	2008/0183424	A1	7/2008	Seem
2005/0251293	A1	11/2005	Seigel	2008/0186898	A1	8/2008	Petite
2005/0252220	A1	11/2005	Street et al.	2008/0209925	A1	9/2008	Pham
2005/0262856	A1	12/2005	Street et al.	2008/0216494	A1	9/2008	Pham et al.
2005/0262923	A1	12/2005	Kates	2008/0216495	A1	9/2008	Kates
2006/0010898	A1	1/2006	Suharno et al.	2008/0223051	A1	9/2008	Kates
2006/0015777	A1	1/2006	Loda	2008/0234869	A1	9/2008	Yonezawa et al.
2006/0020426	A1	1/2006	Singh	2008/0315000	A1	12/2008	Gorthala et al.
2006/0021362	A1	2/2006	Sadegh et al.	2008/0319688	A1	12/2008	Kim
2006/0032245	A1	2/2006	Kates	2009/0007777	A1	1/2009	Cohen et al.
2006/0032246	A1	2/2006	Kates	2009/0030555	A1	1/2009	Gray
2006/0032247	A1	2/2006	Kates	2009/0037142	A1	2/2009	Kates
2006/0032248	A1	2/2006	Kates	2009/0038010	A1	2/2009	Ma et al.
2006/0032379	A1	2/2006	Kates	2009/0055465	A1	2/2009	DePue et al.
2006/0036349	A1	2/2006	Kates	2009/0057424	A1	3/2009	Sullivan et al.
2006/0041335	A9	2/2006	Rossi et al.	2009/0057428	A1	3/2009	Gadelmann et al.
2006/0042276	A1	3/2006	Doll et al.	2009/0068947	A1	3/2009	Petite
2006/0071089	A1	4/2006	Kates	2009/0071175	A1	3/2009	Pham
2006/0071666	A1	4/2006	Unsworth et al.	2009/0072985	A1	3/2009	Patel et al.
2006/0074917	A1	4/2006	Chand et al.	2009/0093916	A1	4/2009	Parsonnet et al.
2006/0097063	A1	5/2006	Zeevi	2009/0094998	A1	4/2009	McSweeney et al.
2006/0098576	A1	5/2006	Brownrigg et al.	2009/0096605	A1	4/2009	Petite et al.
2006/0117773	A1	6/2006	Street et al.	2009/0099699	A1	4/2009	Steinberg et al.
2006/0123807	A1	6/2006	Sullivan et al.	2009/0106601	A1	4/2009	Ngai et al.
2006/0129339	A1	6/2006	Bruno	2009/0112672	A1	4/2009	Flamig et al.
2006/0130500	A1	6/2006	Gauthier et al.	2009/0119036	A1	5/2009	Jayanth et al.
2006/0137364	A1	6/2006	Braun et al.	2009/0125151	A1	5/2009	Steinberg et al.
2006/0137368	A1	6/2006	Kang et al.	2009/0125257	A1	5/2009	Jayanth et al.
2006/0138866	A1	6/2006	Bergmann et al.	2009/0140880	A1	6/2009	Flen et al.
2006/0140209	A1	6/2006	Cassiolato et al.	2009/0151374	A1	6/2009	Kasahara
2006/0151037	A1	7/2006	Lepola et al.	2009/0187281	A1	7/2009	Kates
2006/0179854	A1	8/2006	Esslinger	2009/0215424	A1	8/2009	Petite
2006/0182635	A1	8/2006	Jayanth	2009/0229469	A1	9/2009	Campbell et al.
2006/0185373	A1	8/2006	Butler et al.	2009/0241570	A1	10/2009	Kuribayashi et al.
2006/0196196	A1	9/2006	Kates	2009/0296832	A1	12/2009	Hunt
2006/0196197	A1	9/2006	Kates	2009/0324428	A1	12/2009	Tolbert, Jr. et al.
2006/0201168	A1	9/2006	Kates	2010/0006042	A1	1/2010	Pitonyak et al.
2006/0222507	A1	10/2006	Jayanth	2010/0011962	A1	1/2010	Totsugi
				2010/0017465	A1	1/2010	Brownrigg et al.
				2010/0039984	A1	2/2010	Brownrigg
				2010/0044449	A1	2/2010	Tessier
				2010/0070084	A1	3/2010	Steinberg et al.

(56)

References Cited

U.S. PATENT DOCUMENTS

2010/0070234 A1 3/2010 Steinberg et al.
 2010/0070666 A1 3/2010 Brindle
 2010/0078493 A1 4/2010 Alles
 2010/0081357 A1 4/2010 Alles
 2010/0081372 A1 4/2010 Alles
 2010/0089076 A1 4/2010 Schuster et al.
 2010/0102136 A1 4/2010 Hadzidedic et al.
 2010/0111709 A1 5/2010 Jayanth
 2010/0168924 A1 7/2010 Tessier et al.
 2010/0169030 A1* 7/2010 Parlos G01H 1/00
 702/58
 2010/0179703 A1 7/2010 Singh et al.
 2010/0191487 A1 7/2010 Rada et al.
 2010/0194582 A1 8/2010 Petite
 2010/0214709 A1 8/2010 Hall et al.
 2010/0217550 A1 8/2010 Crabtree et al.
 2010/0250054 A1 9/2010 Petite
 2010/0257410 A1 10/2010 Cottrell et al.
 2010/0262299 A1 10/2010 Cheung et al.
 2010/0265909 A1 10/2010 Petite et al.
 2010/0280667 A1 11/2010 Steinberg
 2010/0282857 A1 11/2010 Steinberg
 2010/0287489 A1 11/2010 Alles
 2010/0293397 A1 11/2010 Pham et al.
 2010/0305718 A1 12/2010 Clark et al.
 2010/0308119 A1 12/2010 Steinberg et al.
 2010/0312881 A1 12/2010 Davis et al.
 2010/0318227 A1 12/2010 Steinberg et al.
 2010/0330985 A1 12/2010 Addy
 2011/0004350 A1 1/2011 Cheifetz et al.
 2011/0022429 A1 1/2011 Yates et al.
 2011/0023045 A1 1/2011 Yates et al.
 2011/0023945 A1 2/2011 Hayashi et al.
 2011/0040785 A1 2/2011 Steenberg et al.
 2011/0042541 A1 2/2011 Spencer et al.
 2011/0045454 A1 2/2011 McManus et al.
 2011/0054842 A1 3/2011 Kates
 2011/0071960 A1 3/2011 Singh
 2011/0077896 A1 3/2011 Steinberg et al.
 2011/0083450 A1 4/2011 Turner et al.
 2011/0102159 A1 5/2011 Olson et al.
 2011/0103460 A1 5/2011 Bonicatto
 2011/0106471 A1 5/2011 Curtis et al.
 2011/0112814 A1 5/2011 Clark
 2011/0118905 A1 5/2011 Mylaraswamy et al.
 2011/0121952 A1 5/2011 Bonicatto et al.
 2011/0144932 A1 6/2011 Alles
 2011/0144944 A1 6/2011 Pham
 2011/0166828 A1 7/2011 Steinberg et al.
 2011/0181438 A1 7/2011 Millstein et al.
 2011/0184563 A1 7/2011 Foslien et al.
 2011/0185895 A1 8/2011 Freen
 2011/0190910 A1 8/2011 Lombard et al.
 2011/0212700 A1 9/2011 Petite
 2011/0218957 A1 9/2011 Coon et al.
 2011/0264324 A1 10/2011 Petite et al.
 2011/0264409 A1 10/2011 Jayanth et al.
 2011/0290893 A1 12/2011 Steinberg
 2011/0307103 A1 12/2011 Cheung et al.
 2011/0309953 A1 12/2011 Petite et al.
 2011/0310929 A1 12/2011 Petite et al.
 2011/0315019 A1 12/2011 Lyon et al.
 2011/0320050 A1 12/2011 Petite et al.
 2012/0005590 A1 1/2012 Lombard et al.
 2012/0054242 A1 3/2012 Ferrara et al.
 2012/0065783 A1 3/2012 Fadell et al.
 2012/0065935 A1 3/2012 Steinberg et al.
 2012/0066168 A1 3/2012 Fadell et al.
 2012/0075092 A1 3/2012 Petite et al.
 2012/0092154 A1 4/2012 Petite
 2012/0125559 A1 5/2012 Fadell et al.
 2012/0125592 A1 5/2012 Fadell et al.
 2012/0126019 A1 5/2012 Warren et al.
 2012/0126020 A1 5/2012 Filson et al.
 2012/0126021 A1 5/2012 Warren et al.

2012/0128025 A1 5/2012 Huppi et al.
 2012/0130546 A1 5/2012 Matas et al.
 2012/0130547 A1 5/2012 Fadell et al.
 2012/0130548 A1 5/2012 Fadell et al.
 2012/0130679 A1 5/2012 Fadell et al.
 2012/0131504 A1 5/2012 Fadell et al.
 2012/0143528 A1 6/2012 Kates
 2012/0179300 A1 7/2012 Warren et al.
 2012/0186774 A1 7/2012 Matsuoka et al.
 2012/0191257 A1 7/2012 Corcoran et al.
 2012/0199660 A1 8/2012 Warren et al.
 2012/0203379 A1 8/2012 Sloo et al.
 2012/0221150 A1 8/2012 Arensmeier
 2012/0229521 A1 9/2012 Hales, IV et al.
 2012/0232969 A1 9/2012 Fadell et al.
 2012/0233478 A1 9/2012 Mucignat et al.
 2012/0239207 A1 9/2012 Fadell et al.
 2012/0239221 A1 9/2012 Mighdoll et al.
 2012/0245968 A1 9/2012 Beaulieu et al.
 2012/0248210 A1 10/2012 Warren et al.
 2012/0248211 A1 10/2012 Warren et al.
 2012/0260804 A1 10/2012 Kates
 2012/0265491 A1 10/2012 Drummy
 2012/0265586 A1* 10/2012 Mammone G06Q 3/02
 705/14.1
 2012/0271673 A1 10/2012 Riley
 2012/0291629 A1 11/2012 Tylutki et al.
 2012/0318135 A1 12/2012 Hoglund et al.
 2012/0318137 A1 12/2012 Ragland et al.
 2013/0066479 A1* 3/2013 Shetty G01D 4/002
 700/295
 2013/0156607 A1 6/2013 Jayanth
 2013/0166231 A1 6/2013 Jayanth et al.
 2013/0174588 A1 7/2013 Pham
 2013/0176649 A1 7/2013 Wallis et al.
 2013/0182285 A1 7/2013 Matsuhara et al.
 2013/0287063 A1 10/2013 Kates
 2013/0294933 A1 11/2013 Pham
 2014/0000290 A1 1/2014 Kates
 2014/0000291 A1 1/2014 Kates
 2014/0000292 A1 1/2014 Kates
 2014/0000293 A1 1/2014 Kates
 2014/0000294 A1 1/2014 Kates
 2014/0012422 A1 1/2014 Kates
 2014/0069121 A1 3/2014 Pham
 2014/0074730 A1 3/2014 Arensmeier et al.
 2014/0084836 A1 3/2014 Pham et al.
 2014/0229014 A1 8/2014 Pham et al.
 2014/0260342 A1 9/2014 Pham
 2014/0260390 A1 9/2014 Pham
 2014/0262134 A1 9/2014 Arensmeier et al.
 2014/0266755 A1 9/2014 Arensmeier et al.
 2014/0297208 A1 10/2014 Arensmeier
 2014/0299289 A1 10/2014 Alsaleem et al.
 2015/0135748 A1 5/2015 Alsaleem et al.
 2015/0155701 A1 6/2015 Wallis et al.
 2015/0261230 A1 9/2015 Kates
 2015/0367463 A1 12/2015 Pham
 2016/0076536 A1 3/2016 Jayanth et al.
 2016/0223238 A1 8/2016 Kates
 2016/0226416 A1 8/2016 Pham et al.
 2017/0179709 A1 6/2017 Wallis et al.
 2017/0308072 A1* 10/2017 Arensmeier G05B 23/0224

FOREIGN PATENT DOCUMENTS

CA 2528778 A1 12/2004
 CA 2567264 A1 7/2007
 CH 173493 A 11/1934
 CN 1133425 A 10/1996
 CN 1169619 A 1/1998
 CN 1297522 A 5/2001
 CN 1354347 A 6/2002
 CN 1356472 A 7/2002
 CN 1654893 A 8/2005
 CN 1742427 A 3/2006
 CN 1906453 A 1/2007
 CN 1922445 A 2/2007
 CN 101048713 A 10/2007

(56)

References Cited

FOREIGN PATENT DOCUMENTS

CN	101124436	A	2/2008	JP	02294580	A	12/1990
CN	101156033	A	4/2008	JP	04080578	A	3/1992
CN	101270908	A	9/2008	JP	06058273	A	3/1994
CN	101361244	A	2/2009	JP	08021675	A	1/1996
CN	101466193	A	6/2009	JP	08087229	A	4/1996
CN	101506600	A	8/2009	JP	08284842	A	10/1996
CN	101802521	A	8/2010	JP	H08261541	A	10/1996
CN	101821693	A	9/2010	JP	2000350490	A	12/2000
CN	102354206	A	2/2012	JP	2002155868	A	5/2002
DE	842351	C	6/1952	JP	2003018883	A	1/2003
DE	764179	C	4/1953	JP	2003176788	A	6/2003
DE	1144461	B	2/1963	JP	2004316504	A	11/2004
DE	1403516	A1	10/1968	JP	2005188790	A	7/2005
DE	1403467	A1	10/1969	JP	2005241089	A	9/2005
DE	3118638	A1	5/1982	JP	2005345096	A	12/2005
DE	3133502	A1	6/1982	JP	2006046219	A	2/2006
DE	3508353	A1	9/1985	JP	2006046519	A	2/2006
DE	3422398	A1	12/1985	JP	2006274807	A	10/2006
DE	29723145	U1	4/1998	JP	2009002651	A	1/2009
EP	0008524	A1	3/1980	JP	2009229184	A	10/2009
EP	0060172	A1	9/1982	JP	2010048433	A	3/2010
EP	0085246	A1	8/1983	KR	10-1998-0036844	A	8/1998
EP	0124603	A1	11/1984	KR	20000000261	A	1/2000
EP	0254253	A2	1/1988	KR	1020000025265		5/2000
EP	0346152	A2	12/1989	KR	1020020041977		6/2002
EP	0351272	A1	1/1990	KR	20030042857	A	6/2003
EP	0351833	A2	1/1990	KR	1020040021281		3/2004
EP	0355255	A2	2/1990	KR	102006002035		3/2006
EP	0361394	A2	4/1990	RU	30009	U1	6/2003
EP	0398436	A1	11/1990	RU	55218	U1	7/2006
EP	0410330	A2	1/1991	WO	WO-8601262	A1	2/1986
EP	0419857	A2	4/1991	WO	WO-8703988	A1	7/1987
EP	0432085	A2	6/1991	WO	WO-8705097	A1	8/1987
EP	0453302	A1	10/1991	WO	WO-8802527	A1	4/1988
EP	0479421	A1	4/1992	WO	WO-8806703	A1	9/1988
EP	0557023	A1	8/1993	WO	WO-9718636	A2	5/1997
EP	0579374	A1	1/1994	WO	WO-9748161	A1	12/1997
EP	0660213	A2	6/1995	WO	WO-9917066	A1	4/1999
EP	0747598	A2	12/1996	WO	WO-9961847	A1	12/1999
EP	0877462	A2	11/1998	WO	WO-9965681	A1	12/1999
EP	0982497	A1	3/2000	WO	WO-0021047	A1	4/2000
EP	1008816	A2	6/2000	WO	WO-0051223	A1	8/2000
EP	1087142	A2	3/2001	WO	WO-0169147	A1	9/2001
EP	1087184	A2	3/2001	WO	WO-0214968	A1	2/2002
EP	1138949	A2	10/2001	WO	WO-0249178	A2	6/2002
EP	1139037	A1	10/2001	WO	WO-0275227	A1	9/2002
EP	1187021	A2	3/2002	WO	WO-02/090840	A2	11/2002
EP	1209427	A1	5/2002	WO	WO-02/090913	A1	11/2002
EP	1241417	A1	9/2002	WO	WO-02090914	A1	11/2002
EP	1245912	A2	10/2002	WO	WO-03031996	A1	4/2003
EP	1245913	A1	10/2002	WO	WO-03090000	A1	10/2003
EP	1393034	A1	3/2004	WO	WO-04049088	A1	6/2004
EP	1435002	A1	7/2004	WO	WO-2005022049	A2	3/2005
EP	1487077	A2	12/2004	WO	WO-2005065355	A2	7/2005
EP	1541869	A1	6/2005	WO	WO-05073686	A1	8/2005
EP	2180270	A1	4/2010	WO	WO-2005108882	A2	11/2005
FR	2472862	A1	7/1981	WO	WO-06023075	A2	3/2006
FR	2582430	A1	11/1986	WO	WO-2006025880	A1	3/2006
FR	2589561	A1	5/1987	WO	WO-2006091521	A2	8/2006
FR	2628558	A1	9/1989	WO	WO-2008010988	A1	1/2008
FR	2660739	A1	10/1991	WO	WO-2008079108	A1	7/2008
GB	2062919	A	5/1981	WO	WO-08144864	A1	12/2008
GB	2064818	A	6/1981	WO	WO-2009058356	A1	5/2009
GB	2075774	A	11/1981	WO	WO-2009061370	A1	5/2009
GB	2116635	A	9/1983	WO	WO-10138831	A2	12/2010
GB	2229295	A	9/1990	WO	WO-11069170	A1	6/2011
GB	2347217	A	8/2000	WO	WO-12092625	A2	7/2012
JP	56010639	A	2/1981	WO	WO-2012118550	A1	9/2012
JP	59145392	A	8/1984				
JP	61046485	A	3/1986				
JP	62116844	A	5/1987				
JP	63061783	A	3/1988				
JP	63302238	A	12/1988				
JP	01014554	A	1/1989				
JP	02110242	A	4/1990				

OTHER PUBLICATIONS

Office Action regarding U.S. Appl. No. 15/645,970 dated Feb. 16, 2018.

U.S. Appl. No. 15/633,657, filed Jun. 26, 2017, Lawrence Kates.

U.S. Appl. No. 15/798,081, filed Oct. 30, 2017, Hung M. Pham.

U.S. Appl. No. 12/943,626, filed Nov. 10, 2010, Todd E. Clark.

U.S. Appl. No. 14/080,473, filed Nov. 14, 2013, Hung M. Pham.

U.S. Appl. No. 14/208,636, filed Mar. 13, 2014, Hung M. Pham.

(56)

References Cited

OTHER PUBLICATIONS

- U.S. Appl. No. 14/607,782, filed Jan. 28, 2015, Fadi M. Alsalem.
- U.S. Appl. No. 14/949,090, filed Nov. 23, 2015, Nagaraj Jayanth.
- U.S. Appl. No. 15/096,186, filed Apr. 11, 2016, Lawrence Kates.
- U.S. Appl. No. 15/613,375, filed Jun. 5, 2017, Hung M. Pham.
- U.S. Appl. No. 15/645,970, filed Jul. 10, 2017, Jeffrey N. Arensmeier.
- Office Action regarding Chinese Patent Application No. 201480016177.9, dated Apr. 7, 2017. Translation provided by Unitalen Attorneys at Law.
- Honeywell, Alerts and Delta T Diagnostics with Prestige® 2.0 IAQ Thermostat, 69/2678-02, Sep. 2011.
- Honeywell, RedLINK™ Wireless Comfort Systems brochure, 50/1194, Sep. 2011.
- Honeywell, Prestige System Installation Guide, THX9321/9421 Prestige® IAQ and RF EIM, 64/2490-03, Jul. 2011.
- “Manual for Freezing and Air Conditioning Technology,” Fan Jili, Liaoning Science and Technology Press, Sep. 1995 (cited in First Office Action issued by the Chinese Patent Office regarding Application No. 200780030810.X dated Dec. 25, 2009).
- “Small-type Freezing and Air Conditioning Operation,” Chinese State Economy and Trading Committee, China Meteorological Press, Mar. 2003 (cited in First Office Action issued by the Chinese Patent Office regarding Application No. 200780030810.X dated Dec. 25, 2009).
- Home Comfort Zones, Save Energy with MyTemp™ Zone Control, Dec. 2009.
- Home Comfort Zones, MyTemp Room-by-Room Zone Control, Nov. 2009.
- Li et al., “Development, Evaluation, and Demonstration of a Virtual Refrigerant Charge Sensor,” Jan. 2009, HVAC&R Research, Oct. 27, 2008, 21 pages.
- Home Comfort Zones, MyTemp User Manual v4.3, May 2008.
- Home Comfort Zones, Smart Controller™ MyTemp™ Room by Room Temperature Control and Energy Management, User Manual, Aug. 2007.
- “A Practical Example of a Building’s Automatic Control,” cited in First Office Action from the Patent Office of the People’s Republic of China dated Jun. 29, 2007, regarding Application No. 200510005907.8, including translation by CCPIT Patent and Trademark Law Office.
- “Product Performance Introduction of York Company,” cited in First Office Action from the Patent Office of the People’s Republic of China dated Jun. 29, 2007 regarding Application No. 200510005907.8, including translation by CCPIT Patent and Trademark Law Office.
- Torcellini, P., et al., “Evaluation of the Energy Performance and Design Process of the Thermal Test Facility at the National Renewable Energy Laboratory”, dated Feb. 2005.
- Cost Cutting Techniques Used by the Unscrupulous, <http://www.kellyshvac.com/howto.html>, Oct. 7, 2004, 3 pages.
- About CABA: CABA eBulletin, <http://www.caba.org/aboutus/ebulletin/issue17/domosys.html>, 2 pages, dated Sep. 22, 2004.
- The LS2000 Energy Management System, User Guide, <http://www.surfnetworks.com/htmlmanuals/IonWorksEnergyManagement-LS2000-Load-Shed-System-by-Surf-Networks,Inc.html>, Sep. 2004, 20 pages.
- Case Studies: Automated Meter Reading and Load Shed System, <http://groupalpha.com/CaseStudies2.html>, Aug. 23, 2004, 1 page.
- Nickles, Donald, “Broadband Communications Over Power Transmission Lines,” A Guest Lecture From the Dr. Shreekanth Mandaynam Engineering Frontiers Lecture Series, May 5, 2004, 21 pages.
- Jeffus, Larry, “Refrigeration and Air Conditioning: An Introduction to HVAC/R,” Appendix C, pp. 1060-1063, Copyright 2004.
- Jeffus, Larry, “Refrigeration and Air Conditioning: An Introduction to HVAC/R,” Section II, Chapter 4, pp. 176-201, Copyright 2004.
- Jeffus, Larry, “Refrigeration and Air Conditioning: An Introduction to HVAC/R,” Section II, Chapter 5, pp. 239-245, Copyright 2004.
- Jeffus, Larry, “Refrigeration and Air Conditioning: An Introduction to HVAC/R,” Section II, Chapter 6, p. 322, Copyright 2004.
- Jeffus, Larry, “Refrigeration and Air Conditioning: An Introduction to HVAC/R,” Section IV, Chapter 9, pp. 494-504, Copyright 2004.
- HVAC Service Assistant, ACRx Efficiency and Capacity Estimating Technology, Field Diagnostics, 2004.
- Reh, F. John, “Cost Benefit Analysis”, <http://management.about.com/cs/money/a/CostBenefit.htm>, Dec. 8, 2003.
- Udelhoven, Darrell, “Air Conditioning System Sizing for Optimal Efficiency,” <http://www.udarrell.com/airconditioning-sizing.html>, Oct. 6, 2003, 7 pages.
- Texas Instruments, Inc., Product catalog for “TRF690 1 Single-Chip RF Transceiver,” Copyright 2001-2003, Revised Oct. 2003, 27 pages.
- Advanced Utility Metering: Period of Performance, Subcontractor Report, National Renewable Energy Laboratory, Sep. 2003, 59 pages.
- Honeywell, Advanced Portable A/C Diagnostics, The HVAC Service Assistant, 2003.
- Vandenbrink et al., “Design of a Refrigeration Cycle Evaporator Unit,” Apr. 18, 2003.
- Udelhoven, Darrell, “Air Conditioner EER, SEER Ratings, BTUH Capacity Ratings, & Evaporator Heat Load,” <http://www.udarrell.com/air-conditioner-capacity-seer.html>, Apr. 3, 2003, 15 pages.
- The Honeywell HVAC Service Assistant, A Tool for Reducing Electrical Power Demand and Energy Consumption, Field Diagnostics, 2003.
- Honeywell, HVAC Service Assistant, TRGpro Palm™ OS Interface and HVAC Service Assistant A7075A1000, 2002.
- “Air Conditioning Equipment and Diagnostic Primer,” Field Diagnostic Services, Inc., Sep. 9, 2002.
- Udelhoven, Darrell, “Optimizing Air Conditioning Efficiency TuneUp Optimizing the Condenser Output, Seer, Air, HVAC Industry,” <http://www.udarrell.com/air-conditioning-efficiency.html>, Jul. 19, 2002, 13 pages.
- Honeywell, A7075A1000 HVAC Service Assistant, 2001.
- LIPA Launches Free, First-in-Nation Internet-Based Air Conditioner Control Program to Help LIPA and Its Customers Conserve Electricity & Save Money, Apr. 19, 2001, http://www.lipower.org/newscenter/pr/2001/april9_01.html, 3 pages.
- K. A. Manske et al.; Evaporative Condenser Control in Industrial Refrigeration Systems; University of Wisconsin—Madison, Mechanical Engineering Department; International Journal of Refrigeration, vol. 24, No. 7; pp. 676 -691; 2001, 21 pages.
- Flow & Level Measurement: Mass Flowmeters, <http://www.omega.com/literature/transactions/volume4/T9904-10-MASS.html>, 2001, 19 pages.
- Frequently Asked Questions, <http://www.lipaedge.com/faq.asp>, Copyright © 2001, 5 pages.
- Translation of claims and Abstract of KR Patent Laying-Open No. 2000-0000261.
- BChydro, “Power Factor” Guides to Energy Management: The GEM Series, Oct. 1999.
- Ultrasite 32 User’s Guide, Computer Process Controls, Sep. 28, 1999.
- Refrigeration Monitor and Case Control Installation and Operation Manual, Computer Process Controls, Aug. 12, 1999.
- Liao et al., A Correlation of Optimal Heat Rejection Pressures in Transcritical Carbon Dioxide Cycles, Applied Thermal Engineering 20 (2000), Jul. 25, 1999, 831-841.
- Einstein RX-300 Refrigeration Controller Installation and Operation Manual, Computer Process Controls, Apr. 1, 1998, 329 pages.
- Building Control Unit (BCU) Installation and Operation Manual, Computer Process Controls, Jan. 28, 1998, 141 pages.
- Low-Cost Multi-Service Home Gateway Creates New Business Opportunities, Coactive Networks, Copyright 1998-1999, 7 pages.
- Pin, C. et al., “Predictive Models as Means to Quantify the Interactions of Spoilage Organisms,” International Journal of Food Microbiology, vol. 41, No. 1, 1998, pp. 59-72, XP-002285119.
- Watt, James; Development of Empirical Temperature and Humidity-Based Degraded-Condition Indicators for Low-Tonnage Air Conditioners; ESL-TH-97/12-03; Dec. 1997.
- Ultrasite User’s Guide BEC Supplement, Computer Process Controls, Oct. 6, 1997.

(56)

References Cited

OTHER PUBLICATIONS

Ultrasite User's Guide BCU Supplement, Computer Process Controls, Sep. 4, 1997.

Ultrasite User's Guide RMCC Supplement, Computer Process Controls, Jun. 9, 1997.

Texas Instruments, Inc. Mechanical Data for "PT (S-PQFP-G48) Plastic Quad Flatpack," Revised Dec. 1996, 2 pages.

Honeywell, Excel 5000® System, Excel Building Supervisor, 74-2033-1, Copyright © 1996, Rev. 6-96, 12 pages.

UltraSite User's Guide, Computer Process Controls, Apr. 1, 1996.

Honeywell, Excel 5000® System, Excel Building Supervisor—Integrated, 74-2034, Copyright © 1994, Rev. 11-94, 12 pages.

Tamarkin, Tom D., "Automatic Meter Reading," Public Power magazine, vol. 50, No. 5, Sep.-Oct. 1992, <http://www.energycite.com/news/amr.html>, 6 pages.

Palani, M. et al, The Effect of Reduced Evaporator Air Flow on the Performance of a Residential Central Air Conditioner, ESL-HH-92-05-04, Energy Systems Laboratory, Mechanical Engineering Department, Texas A&M University, Eighth Symposium on Improving Building System in Hot and Humid Climates, May 13-14, 1992.

Palani, M. et al, Monitoring the Performance of a Residential Central Air Conditioner under Degraded Conditions on a Test Bench, ESL-TR-92/05-05, May 1992.

European Search Report for EP 82306809.3; dated Apr. 28, 1983; 1 Page.

European Search Report for EP 91 30 3518; dated Jul. 22, 1991; 1 Page.

European Search Report for EP 93 30 4470; dated Oct. 26, 1993; 1 Page.

International Search Report; International Application No. PCT/IB96/01435; dated May 23, 1997; 1 Page.

European Search Report for EP 96 30 4219; dated Dec. 1, 1998; 2 Pages.

International Search Report; International Application No. PCT/US98/18710; dated Jan. 26, 1999; 1 Page.

European Search Report for EP 94 30 3484; dated Apr. 3, 1997; 1 Page.

European Search Report for EP 98 30 3525; dated May 28, 1999; 2 Pages.

European Search Report for EP 99 30 6052; dated Dec. 28, 1999; 3 Pages.

European Search Report for EP 01 30 7547; dated Feb. 20, 2002; 1 Page.

European Search Report for Application No. EP 01 30 1752, dated Mar. 26, 2002.

European Search Report for EP 02 25 0266; dated May 17, 2002; 3 Pages.

International Search Report, International Application No. PCT/US02/13456, dated Aug. 22, 2002, 2 Pages.

International Search Report for PCT/US02/13459; ISA/US; dated Sep. 19, 2002.

European Search Report for Application No. EP 02 25 1531, dated Sep. 30, 2002.

Office Action regarding U.S. Appl. No. 09/977,552, dated Jan. 14, 2003.

Written Opinion regarding PCT/US02/13459, dated Apr. 23, 2003.

Final Office Action regarding U.S. Appl. No. 09/977,552, dated Jun. 18, 2003.

International Preliminary Examination Report regarding PCT/US02/13456, dated Sep. 15, 2003.

Office Action regarding U.S. Appl. No. 10/061,964, dated Oct. 3, 2003.

Response to Rule 312 Communication regarding U.S. Appl. No. 09/977,552, dated Oct. 31, 2003.

Office Action regarding U.S. Appl. No. 09/977,552, dated Dec. 3, 2003.

Final Office Action regarding U.S. Appl. No. 10/061,964, dated Mar. 8, 2004.

Final Office Action regarding U.S. Appl. No. 09/977,552, dated Apr. 26, 2004.

Office Action regarding U.S. Appl. No. 10/286,419, dated Jun. 10, 2004.

European Search Report for EP 02 72 9050, dated Jun. 17, 2004, 2 pages.

Supplementary European Search Report for EP 02 73 1544, dated Jun. 18, 2004, 2 Pages.

Notice of Allowance regarding U.S. Appl. No. 10/061,964, dated Jul. 19, 2004.

International Search Report, International Application No. PCT/US04/13384; dated Aug. 1, 2004; 1 Page.

International Search Report, International Application No. PCT/US2004/027654, dated Aug. 25, 2004, 4 Pages.

Office Action regarding U.S. Appl. No. 10/675,137, dated Sep. 7, 2004.

Office Action regarding U.S. Appl. No. 09/977,552, dated Oct. 18, 2004.

Notice of Allowance and Notice of Allowability regarding U.S. Appl. No. 10/286,419, dated Dec. 2, 2004.

Office Action regarding U.S. Appl. No. 10/675,137, dated Feb. 4, 2005.

European Search Report regarding Application No. EP02729051, dated Feb. 17, 2005.

Office Action regarding U.S. Appl. No. 10/698,048, dated Mar. 21, 2005.

Office Action dated May 4, 2005 from Related U.S. Appl. No. 10/916,223.

Final Office Action regarding U.S. Appl. No. 09/977,552, dated May 13, 2005.

Office Action regarding U.S. Appl. No. 10/675,137, dated Jun. 29, 2005.

Restriction Requirement regarding U.S. Appl. No. 10/940,877, dated Jul. 25, 2005.

Notice of Allowance for U.S. Appl. No. 10/698,048, dated Sep. 1, 2005.

International Search Report for International Application No. PCT/US2005/11154, dated Oct. 19, 2005.

Office Action dated Oct. 27, 2005 from Related U.S. Appl. No. 10/916,223.

Office Action dated Nov. 8, 2005 from Related U.S. Appl. No. 10/916,222.

Office Action dated Nov. 9, 2005 from Related U.S. Appl. No. 11/130,562.

Office Action dated Nov. 9, 2005 from Related U.S. Appl. No. 11/130,601.

Office Action dated Nov. 9, 2005 from Related U.S. Appl. No. 11/130,871.

Advisory Action Before the Filing of an Appeal Brief regarding U.S. Appl. No. 09/977,552, dated Nov. 10, 2005.

Office Action regarding U.S. Appl. No. 10/940,877, dated Nov. 14, 2005.

Notice of Allowance and Notice of Allowability regarding U.S. Appl. No. 10/675,137, dated Dec. 16, 2005.

First Examination Communication regarding European Application No. EP02729051.9, dated Dec. 23, 2005.

Office Action dated Jan. 6, 2006 from Related U.S. Appl. No. 11/130,562.

Office Action dated Jan. 6, 2006 from Related U.S. Appl. No. 10/916,222.

Office Action dated Jan. 18, 2006 from Related U.S. Appl. No. 11/130,601.

Examiner's First Report on Australian Patent Application No. 2002259066, dated Mar. 1, 2006.

International Search Report for International Application No. PCT/US04/43859, dated Mar. 2, 2006.

Office Action dated Mar. 30, 2006 from Related U.S. Appl. No. 11/130,569.

Office Action dated Apr. 19, 2006 from Related U.S. Appl. No. 10/916,223.

Final Office Action regarding U.S. Appl. No. 10/940,877, dated May 2, 2006.

Office Action dated Jun. 22, 2009 from Related U.S. Appl. No. 12/050,821.

(56)

References Cited

OTHER PUBLICATIONS

Second Examination Communication regarding European Application No. EP02729051.9, dated Jul. 3, 2006.

Office Action dated Jul. 11, 2006 from Related U.S. Appl. No. 11/130,562.

Office Action dated Jul. 11, 2006 from Related U.S. Appl. No. 10/916,222.

Office Action regarding U.S. Appl. No. 09/977,552, dated Jul. 12, 2006.

Notice of Allowance dated Jul. 13, 2006 from Related U.S. Appl. No. 11/130,601.

Office Action dated Jul. 27, 2006 from Related U.S. Appl. No. 11/130,871.

Office Action regarding U.S. Appl. No. 11/120,166, dated Oct. 2, 2006.

Office Action regarding U.S. Appl. No. 10/940,877, dated Oct. 27, 2006.

Office Action dated Nov. 14, 2006 from Related U.S. Appl. No. 11/130,569.

Office Action dated Nov. 16, 2006 from Related U.S. Appl. No. 10/916,223.

Office Action dated Jan. 23, 2007 from Related U.S. Appl. No. 10/916,222.

Election/Restriction Requirement regarding U.S. Appl. No. 09/977,552, dated Jan. 25, 2007.

Office Action dated Feb. 1, 2007 from Related U.S. Appl. No. 11/130,562.

First Office Action received from the Chinese Patent Office dated Feb. 2, 2007 regarding Application No. 200480011463.2, translated by CCPIT Patent and Trademark Law Office.

Notice of Allowance dated Feb. 12, 2007 from Related U.S. Appl. No. 11/130,871.

International Search Report, International Application No. PCT/US2006/040964, dated Feb. 15, 2007, 2 Pages.

Examiner Interview Summary regarding U.S. Appl. No. 10/940,877, dated Mar. 2, 2007.

Office Action regarding U.S. Appl. No. 11/120,166, dated Apr. 12, 2007.

Office Action Communication regarding U.S. Appl. No. 09/977,552, dated Apr. 18, 2007.

Office Action regarding U.S. Appl. No. 10/940,877, dated May 21, 2007.

Notice of Allowance dated May 29, 2007 from Related U.S. Appl. No. 11/130,569.

First Office Action from the Patent Office of the People's Republic of China dated Jun. 8, 2007, Application No. 200480027753.6 and Translation provided by CCPIT.

Notice of Allowance dated Jun. 11, 2007 from Related U.S. Appl. No. 10/916,222.

Office Action dated Jun. 27, 2007 from Related U.S. Appl. No. 11/417,557.

First Office Action from the Patent Office of the People's Republic of China regarding Application No. 200510005907.8, dated Jun. 29, 2007.

Office Action dated Jul. 11, 2007 from Related U.S. Appl. No. 11/417,609.

Office Action dated Jul. 11, 2007 from Related U.S. Appl. No. 11/417,701.

Final Office Action regarding U.S. Appl. No. 09/977,552, dated Jul. 23, 2007.

Notice of Allowance dated Jul. 25, 2007 from Related U.S. Appl. No. 10/916,223.

Office Action dated Aug. 17, 2007 from Related U.S. Appl. No. 11/417,609.

Office Action dated Aug. 17, 2007 from Related U.S. Appl. No. 11/417,701.

Office Action dated Aug. 21, 2007 from Related U.S. Appl. No. 11/417,557.

Office Action dated Sep. 18, 2007 from Related U.S. Appl. No. 11/130,562.

Office Action regarding U.S. Appl. No. 11/098,582, dated Sep. 21, 2007.

International Search Report and Written Opinion of the International Searching Authority regarding International Application No. PCT/US06/33702, dated Sep. 26, 2007.

International Search Report, Int'l. App. No. PCT/US 06/05917, dated Sep. 26, 2007.

Written Opinion of the International Searching Authority, Int'l. App. No. PCT/US 06/05917, dated Sep. 26, 2007.

Office Action regarding U.S. Appl. No. 11/120,166, dated Oct. 2, 2007.

International Search Report for International Application No. PCT/US2007/016135 dated Oct. 22, 2007.

Notice of Allowance dated Oct. 26, 2007 from Related U.S. Appl. No. 10/916,223.

Final Office Action regarding U.S. Appl. No. 10/940,877, dated Nov. 13, 2007.

Notice of Allowance dated Dec. 3, 2007 from Related U.S. Appl. No. 11/130,562.

Notice of Allowance dated Dec. 21, 2007 from Related U.S. Appl. No. 11/417,609.

Office Action regarding U.S. Appl. No. 09/977,552, dated Jan. 11, 2008.

International Search Report for International Application No. PCT/US07/019563, dated Jan. 15, 2008, 3 Pages.

Written Opinion of the International Searching Authority regarding International Application No. PCT/US2007/019563, dated Jan. 15, 2008.

Office Action dated Feb. 15, 2008 from Related U.S. Appl. No. 11/417,557.

Examiner Interview Summary regarding U.S. Appl. No. 10/940,877, dated Mar. 25, 2008.

Office Action regarding U.S. Appl. No. 11/337,918, dated Mar. 25, 2008.

Office Action regarding U.S. Appl. No. 11/098,575, dated Mar. 26, 2008.

Office Action regarding U.S. Appl. No. 11/256,641, dated Apr. 29, 2008.

Office Action regarding U.S. Appl. No. 11/120,166, dated Jun. 5, 2008.

Office Action regarding U.S. Appl. No. 10/940,877, dated Jun. 5, 2008.

Office Action dated Jul. 1, 2008 from Related U.S. Appl. No. 11/927,425.

Office Action regarding U.S. Appl. No. 11/098,582, dated Jul. 7, 2008.

Office Action dated Jul. 16, 2008 from Related U.S. Appl. No. 11/417,701.

Office Action dated Jul. 24, 2008 from Related U.S. Appl. No. 11/417,557.

International Search Report from PCT/US2008/060900, dated Aug. 4, 2008, 6 pages.

First Office Action issued by the Chinese Patent Office for Application No. 200480015875.3, dated Sep. 5, 2008.

Office Action regarding U.S. Appl. No. 11/098,575, dated Sep. 9, 2008.

Examiner Interview regarding U.S. Appl. No. 11/256,641, dated Sep. 16, 2008.

Final Office Action regarding U.S. Appl. No. 09/977,552, dated Oct. 22, 2008.

Office Action regarding U.S. Appl. No. 11/337,918, dated Oct. 28, 2008.

Notice of Allowance dated Nov. 3, 2008 from Related U.S. Appl. No. 11/417,701.

Non-Final Office Action regarding U.S. Appl. No. 11/214,179, dated Nov. 5, 2008.

Examiner Interview Summary regarding U.S. Appl. No. 10/940,877, dated Dec. 8, 2008.

International Search Report for International Application No. PCT/US2008/009618, dated Dec. 8, 2008.

Office Action regarding U.S. Appl. No. 10/940,877, dated Dec. 8, 2008.

(56)

References Cited

OTHER PUBLICATIONS

Written Opinion of International Searching Authority for International Application No. PCT/US2008/009618, dated Dec. 8, 2008.

First Official Report regarding Australian Patent Application No. 2007214381, dated Dec. 12, 2008.

Office Action regarding U.S. Appl. No. 11/120,166, dated Dec. 15, 2008.

Office Action for U.S. Appl. No. 11/497,644, dated Dec. 19, 2008.

Office Action for U.S. Appl. No. 11/394,380, dated Jan. 6, 2009.

Office Action dated Jan. 18, 2006 from Related U.S. Appl. No. 11/130,871.

Office Action regarding U.S. Appl. No. 11/098,575, dated Jan. 29, 2009.

Interview Summary regarding U.S. Appl. No. 11/214,179, dated Jan. 30, 2009.

Final Office Action regarding U.S. Appl. No. 11/256,641, dated Feb. 2, 2009.

Office Action dated Feb. 3, 2009 from Related U.S. Appl. No. 11/866,295.

International Search Report for International Application No. PCT/US2008/012362, dated Feb. 12, 2009.

Office Action dated Feb. 13, 2009 from Related U.S. Appl. No. 12/033,765.

Office Action dated Feb. 13, 2009 from Related U.S. Appl. No. 12/050,821.

Notice of Allowance and Fees Due and Notice of Allowability regarding U.S. Appl. No. 11/098,582, dated Feb. 24, 2009.

Second Office Action issued by the Chinese Patent Office for Application No. 200480015875.3, dated Feb. 27, 2009.

International Preliminary Report on Patentability regarding International Application No. PCT/US2007/019563 dated Mar. 10, 2009.

Written Opinion of the International Searching Authority for International Application No. PCT/US2008/012364 dated Mar. 12, 2009.

International Search Report for International Application No. PCT/US2008/012364 dated Mar. 13, 2009.

Final Office Action regarding U.S. Appl. No. 10/940,877, dated Apr. 27, 2009.

Office Action dated May 6, 2009 from Related U.S. Appl. No. 11/830,729.

Notice of Allowance and Fees Due and Notice of Allowability regarding U.S. Appl. No. 11/256,641, dated May 19, 2009.

Final Office Action regarding U.S. Appl. No. 11/214,179, dated May 29, 2009.

Office Action dated Jun. 17, 2009 from Related U.S. Appl. No. 12/033,765.

Office Action dated Jun. 19, 2009 from Related U.S. Appl. No. 11/866,295.

Second Office action issued by the Chinese Patent Office dated Jun. 19, 2009 regarding Application No. 200510005907.8, translation provided by CCPIT Patent and Trademark Law Office.

Third Office Action issued by the Chinese Patent Office dated Jun. 19, 2009 regarding Application No. 200580013451.8, translated by CCPIT Patent and Trademark Law Office.

Second Office Action received from the Chinese Patent Office dated Jun. 26, 2009 regarding Application No. 200480011463.2, translated by CCPIT Patent and Trademark Law Office.

Office Action for U.S. Appl. No. 11/497,644, dated Jul. 10, 2009.

Office Action regarding U.S. Appl. No. 11/098,575, dated Jul. 13, 2009.

Office Action regarding U.S. Appl. No. 11/120,166, dated Jul. 20, 2009.

Notice of Panel Decision from Pre-Appeal Brief Review regarding U.S. Appl. No. 09/977,552, dated Aug. 4, 2009.

Office Action regarding U.S. Appl. No. 11/098,582, dated Aug. 4, 2009.

Office Action regarding U.S. Appl. No. 11/337,918, dated Aug. 17, 2009.

Advisory Action regarding U.S. Appl. No. 11/214,179, dated Aug. 28, 2009.

Notice of Allowance regarding U.S. Appl. No. 10/940,877, dated Sep. 4, 2009.

Office Action regarding U.S. Appl. No. 11/394,380, dated Sep. 25, 2009.

Advisory Action Before the Filing of an Appeal Brief regarding U.S. Appl. No. 11/098,575, dated Sep. 28, 2009.

Office Action for U.S. Appl. No. 11/497,579, dated Oct. 27, 2009.

Examination Report received from Australian Government IP Australia dated Oct. 29, 2009 regarding patent application No. 2008202088.

Second Official Report regarding Australian Patent Application No. 2007214381, dated Oct. 30, 2009.

Advisory Action Before the Filing of an Appeal Brief regarding U.S. Appl. No. 11/098,575, dated Nov. 16, 2009.

Supplementary European Search Report regarding Application No. PCT/US2006/005917, dated Nov. 23, 2009.

Examiner-Initiated Interview Summary regarding U.S. Appl. No. 11/214,179, dated Dec. 11, 2009.

Examiner's Answer regarding U.S. Appl. No. 09/977,552, dated Dec. 17, 2009.

First Office Action issued by the Chinese Patent Office regarding Application No. 200780030810.X dated Dec. 25, 2009.

Non-Final Office Action for U.S. Appl. No. 11/098,575 dated Jan. 27, 2010.

Office Action regarding U.S. Appl. No. 11/497,644, dated Jan. 29, 2010.

Restriction Requirement regarding U.S. Appl. No. 11/214,179, dated Feb. 2, 2010.

Final Office action regarding U.S. Appl. No. 11/337,918, dated Feb. 4, 2010.

Office Action regarding U.S. Appl. No. 11/120,166, dated Feb. 17, 2010.

Office Action regarding U.S. Appl. No. 11/098,582 dated Mar. 3, 2010.

International Preliminary Report on Patentability for International Application No. PCT/US2008/009618, dated Mar. 24, 2010.

Interview Summary regarding U.S. Appl. No. 11/098,582, dated Apr. 27, 2010.

International Preliminary Report on Patentability for International Application No. PCT/US2008/012362, dated May 4, 2010.

International Preliminary Report on Patentability for International Application No. PCT/US2008/012364, dated May 4, 2010.

Interview Summary regarding U.S. Appl. No. 11/497,644, dated May 4, 2010.

Final Office Action regarding U.S. Appl. No. 11/497,579, dated May 14, 2010.

Non-Final Office Action regarding U.S. Appl. No. 11/214,179, dated Jun. 8, 2010.

Office Action regarding U.S. Appl. No. 11/497,644, dated Jun. 14, 2010.

Supplementary European Search Report regarding European Application No. EP06790063, dated Jun. 15, 2010.

First Office Action from The State Intellectual Property Office of the People's Republic of China regarding Chinese Patent Application No. 200890100287.3, dated Oct. 25, 2010. Translation provided by Unitalen Attorneys at Law.

Interview Summary regarding U.S. Appl. No. 11/497,579, dated Jul. 15, 2010.

Examiner Interview Summary regarding U.S. Appl. No. 11/394,380, dated Jul. 29, 2010.

Second Office Action regarding Chinese Patent Application No. 200780030810X, dated Aug. 4, 2010. English translation provided by Unitalen Attorneys at Law.

Non-Final Office Action dated Aug. 13, 2010 for U.S. Appl. No. 12/054,011.

Office Action regarding U.S. Appl. No. 11/850,846, dated Aug. 13, 2010.

Office Action regarding U.S. Appl. No. 11/776,879, dated Sep. 17, 2010.

Notice of Allowance and Fees Due and Notice of Allowability regarding U.S. Appl. No. 11/098,582, dated Sep. 24, 2010.

First Office Action regarding Chinese Patent Application No. 200780032977.X, dated Sep. 27, 2010. English translation provided by Unitalen Attorneys at Law.

(56)

References Cited

OTHER PUBLICATIONS

Final Office Action dated Dec. 7, 2010 for U.S. Appl. No. 12/054,011.
 Final Office Action regarding U.S. Appl. No. 11/497,644, dated Dec. 22, 2010.
 First Office Action regarding Chinese Patent Application No. 201010117657.8, dated Dec. 29, 2010. English translation provided by Unitalen Attorneys at Law.
 International Search Report regarding Application No. PCT/US2010/036601, dated Dec. 29, 2010.
 Written Opinion of the International Searching Authority regarding Application No. PCT/US2010/036601, dated Dec. 29, 2010.
 Official Action regarding Australian Patent Application No. 2008325240, dated Jan. 19, 2011.
 Non-Final Office Action regarding U.S. Appl. No. 11/214,179, dated Jan. 24, 2011.
 Non-Final Office Action regarding U.S. Appl. No. 12/261,643, dated Jan. 27, 2011.
 Second Office Action regarding Chinese Patent Application No. 200890100287.3, dated Jan. 27, 2011. English translation provided by Unitalen Attorneys at Law.
 Examiner's First Report on Australian Patent Application No. 2008319275, dated Jan. 31, 2011.
 Final Office Action regarding U.S. Appl. No. 11/337,918, dated Feb. 17, 2011.
 Non-Final Office Action dated Mar. 3, 2011 for U.S. Appl. No. 12/054,011.
 Notice of Allowance regarding U.S. Appl. No. 12/685,424, dated Apr. 25, 2011.
 First Office Action regarding Chinese Application No. 200880106319.5, dated May 25, 2011. English translation provided by Unitalen Attorneys at Law.
 Communication from European Patent Office concerning Substantive Examination regarding European Patent Application No. 06790063.9, dated Jun. 6, 2011.
 International Search Report regarding Application No. PCT/US2010/056315, dated Jun. 28, 2011.
 Final Office Action for U.S. Appl. No. 12/054,011, dated Jun. 30, 2011.
 Final Office Action regarding U.S. Appl. No. 12/261,643, dated Jul. 7, 2011.
 Final Office Action regarding U.S. Appl. 11/214,179, dated Jul. 21, 2011.
 Office Action regarding U.S. Appl. No. 12/261,677, dated Aug. 4, 2011.
 Third Office Action regarding Chinese Application No. 2005100059078 from the State Intellectual Property Office of People's Republic of China, dated Aug. 24, 2011. Translation provided by Unitalen Attorneys at Law.
 Non-Final Office Action for U.S. Appl. No. 12/054,011, dated Oct. 20, 2011.
 Office Action regarding U.S. Appl. No. 12/261,643, dated Nov. 2, 2011.
 Notice of Allowance and Fees Due, Interview Summary and Notice of Allowability regarding U.S. Appl. No. 11/214,179, dated Nov. 23, 2011.
 Notice of Allowance regarding U.S. Appl. No. 12/261,677, dated Dec. 15, 2011.
 Examiner's First Report on Australian Patent Application No. 2007292917 dated Jan. 10, 2012.
 Non-Final Office Action in U.S. Appl. No. 12/685,375, dated Jan. 19, 2012.
 Office Action regarding U.S. Appl. No. 12/261,643, dated Feb. 15, 2012.
 Examiner's Report No. 2 regarding Australian Patent Application No. 2008325240, dated Mar. 5, 2012.
 Issue Notification regarding U.S. Appl. No. 11/214,179, dated Mar. 14, 2012.
 Non-Final Office Action for U.S. Appl. No. 11/776,879, dated Mar. 16, 2012.

Office Action regarding U.S. Appl. No. 13/303,286, dated Mar. 26, 2012.
 Non-Final Office Action for U.S. Appl. No. 12/054,011, dated Apr. 10, 2012.
 Non-Final office Action regarding U.S. Appl. No. 11/850,846, dated Apr. 24, 2012.
 First Office Action regarding Chinese Patent Application No. 200910211779.0, dated May 3, 2012. English translation provided by Unitalen Attorneys at Law.
 International Preliminary Report on Patentability regarding Application No. PCT/US2010/056315, dated May 24, 2012.
 Non-Final Office Action regarding U.S. Appl. No. 13/176,021, dated May 8, 2012.
 Non-Final Office Action regarding U.S. Appl. No. 13/435,543, dated Jun. 21, 2012.
 Final Office Action regarding U.S. Appl. No. 12/261,643, dated Jun. 27, 2012.
 Notice of Allowance regarding U.S. Appl. No. 11/776,879, dated Jul. 9, 2012.
 Notice of Allowance regarding U.S. Appl. No. 13/303,286, dated Jul. 19, 2012.
 Patent Examination Report No. 3 regarding Australian Patent Application No. 2008325240, dated Jul. 19, 2012.
 Non-Final Office Action for U.S. Appl. No. 12/685,375, dated Aug. 6, 2012.
 Final Office Action for U.S. Appl. No. 11/850,846, dated Aug. 13, 2012.
 Non-Final Office Action regarding U.S. Appl. No. 12/955,355, dated Sep. 11, 2012.
 Notice of Allowance and Fee(s) Due regarding U.S. Appl. No. 12/789,562, dated Oct. 26, 2012.
 European Search Report for Application No. EP 12 182 243.1, dated Oct. 29, 2012.
 Extended European Search Report regarding Application No. 12182243.1-2311, dated Oct. 29, 2012.
 Non-Final Office Action for U.S. Appl. No. 13/030,549, dated Nov. 5, 2012.
 Notification of First Office Action from the State Intellectual Property Office of People's Republic of China regarding Chinese Patent Application No. 200880122964.6, dated Nov. 5, 2012. Translation provided by Unitalen Attorneys at Law.
 Record of Oral Hearing regarding U.S. Appl. No. 09/977,552, dated Nov. 29, 2012.
 Non-Final Office Action regarding U.S. Appl. No. 12/943,626, dated Dec. 20, 2012.
 First Examination Report regarding Australian Patent Application No. 2010319488, dated Jan. 10, 2013.
 Second Office Action regarding Chinese Patent Application No. 200910211779.0, dated Feb. 4, 2013. English translation provided by Unitalen Attorneys at Law.
 Non-Final Office Action regarding U.S. Appl. No. 12/261,643, dated Mar. 12, 2013.
 International Search Report regarding Application No. PCT/US2013/021161, dated May 8, 2013.
 Written Opinion of the International Searching Authority regarding Application No. PCT/US2013/021161, dated May 8, 2013.
 Non-Final Office Action in U.S. Appl. No. 11/850,846, dated May 24, 2013.
 Non-Final Office Action in U.S. Appl. No. 13/784,890, dated Jun. 11, 2013.
 Non-Final Office Action regarding U.S. Appl. No. 13/770,123, dated Jul. 3, 2013.
 First Office Action regarding Canadian Patent Application No. 2,777,349, dated Jul. 19, 2013.
 Third Office Action regarding Chinese Patent Application No. 200910211779.0, dated Sep. 4, 2013. English translation provided by Unitalen Attorneys at Law.
 Final Office Action regarding U.S. Appl. No. 12/261,643, dated Sep. 16, 2013.
 First Examination Report regarding Australian Patent Application No. 2012241185, dated Sep. 27, 2013.

(56)

References Cited

OTHER PUBLICATIONS

Notice of Grounds for Refusal regarding Korean Patent Application No. 10-2009-7000850, dated Oct. 4, 2013. English translation provided by Y.S. Chang & Associates.

Final Office Action regarding U.S. Appl. No. 13/770,123, dated Nov. 15, 2013.

First Office Action regarding Chinese Patent Application No. 201110349785.X, dated Nov. 21, 2013, and Search Report. English translation provided by Unitalen Attorneys at Law.

Advisory Action regarding U.S. Appl. No. 12/261,643, dated Nov. 22, 2013.

Non-Final Office Action regarding U.S. Appl. No. 13/932,611, dated Nov. 25, 2013.

Office Action regarding U.S. Appl. No. 13/737,566, dated Dec. 20, 2013.

Final Office Action regarding U.S. Appl. No. 13/784,890, dated Dec. 30, 2013.

Fourth Office Action regarding Chinese Patent Application No. 200910211779.0, dated Jan. 6, 2014. English translation provided by Unitalen Attorneys at Law.

European Search Report regarding Application No. 07811712.4-1608 / 2069638 PCT/US2007019563, dated Jan. 7, 2014.

Non-Final Office Action regarding U.S. Appl. No. 13/770,479, dated Jan. 16, 2014.

Final Office Action regarding U.S. Appl. No. 11/850,846, dated Jan. 17, 2014.

International Search Report for PCT/US2012/026973, dated Sep. 3, 2012, 5 pages.

International Search Report for PCT/US2013/061389, dated Jan. 22, 2014, 7 pages.

Non Final Office Action from related U.S. Appl. No. 13/269,188 dated Oct. 4, 2013; 11 pages.

Restriction from related U.S. Appl. No. 13/269,188 dated Apr. 9, 2013; 5 pages.

Non Final Office Action from related U.S. Appl. No. 13/269,188 dated Aug. 14, 2012; 9 pages.

Non Final Office Action from related U.S. Appl. No. 13/269,188 dated Jul. 17, 2014; 10 pages.

Non Final Office Action from related U.S. Appl. No. 13/269,188 dated Feb. 20, 2014; 9 pages.

Final Office Action from related U.S. Appl. No. 13/269,188 dated May 23, 2013; 11 pages.

Non Final Office Action from related U.S. Appl. No. 13/767,479 dated Oct. 24, 2013; 8 pages.

Final Office Action from related U.S. Appl. No. 13/767,479 dated Mar. 14, 2014; 6 pages.

Non Final Office Action from related U.S. Appl. No. 13/835,742 dated Oct. 7, 2013; 9 pages.

Notice of Allowance from related U.S. Appl. No. 13/835,742 dated Jan. 31, 2014; 7 pages.

Notice of Allowance from related U.S. Appl. No. 13/835,742 dated Jun. 2, 2014; 8 pages.

Non Final Office Action from related U.S. Appl. No. 13/835,810 dated Nov. 15, 2013; 9 pages.

Notice of Allowance from related U.S. Appl. No. 13/835,810 dated Mar. 20, 2014; 9 pages.

Non Final Office Action from related U.S. Appl. No. 13/835,621 dated Oct. 30, 2013; 8 pages.

Non Final Office Action from related U.S. Appl. No. 13/835,621 dated Apr. 2, 2014; 11 pages.

Non Final Office Action from related U.S. Appl. No. 13/836,043 dated Oct. 23, 2013; 8 pages.

Final Office Action from related U.S. Appl. No. 13/836,043 dated Mar. 12, 2014; 5 pages.

Non Final Office Action from related U.S. Appl. No. 13/836,043 dated Jul. 11, 2014; 5 pages.

Non Final Office Action from related U.S. Appl. No. 13/836,244 dated Oct. 15, 2013; 11 pages.

Non Final Office Action from related U.S. Appl. No. 13/836,244 dated Feb. 20, 2014; 10 pages.

Notice of Allowance from related U.S. Appl. No. 13/836,244 dated Jul. 2, 2014; 8 pages.

Non Final Office Action from related U.S. Appl. No. 13/836,453 dated Aug. 20, 2013; 8 pages.

Notice of Allowance from related U.S. Appl. No. 13/836,453 dated Jan. 14, 2014; 8 pages.

Notice of Allowance from related U.S. Appl. No. 13/836,453 dated Apr. 21, 2014; 8 pages.

Non Final Office Action from related U.S. Appl. No. 13/369,067 dated Jan. 16, 2016; 16 pages.

Final Office Action from related U.S. Appl. No. 13/369,067 dated May 1, 2014; 19 pages.

Non Final Office Action from related U.S. Appl. No. 13/767,479 dated Jul. 23, 2014; 9 pages.

Final Office Action regarding U.S. Appl. No. 13/932,611, dated May 28, 2014.

Supplementary European Search Report regarding Application No. EP 07 81 1712, dated Jan. 7, 2014.

Notice of Allowance and Fees Due regarding U.S. Appl. No. 12/261,643, dated Jun. 23, 2014.

Extended European Search Report regarding Application No. 07796879.0-1602 / 2041501 PCT/US2007016135, dated Jul. 14, 2014.

Interview Summary from related U.S. Appl. No. 12/054,011 dated Jan. 30, 2012.

Written Opinion from related PCT Application No. PCT/US2014/028074 dated Jun. 19, 2014.

Advisory Action from related U.S. Appl. No. 13/784,890 dated Mar. 14, 2014.

International Search Report from related PCT Application No. PCT/US2014/028074 dated Jun. 19, 2014.

Examiner's Answer from related U.S. Appl. No. 13/784,890 dated Jul. 3, 2014.

Notice of Allowance for related U.S. Appl. No. 13/835,810 dated Aug. 5, 2014.

Non Final Office Action for related U.S. Appl. No. 13/369,067 dated Aug. 12, 2014.

Notice of Allowance from related Application No. 13/836,453 dated Aug. 4, 2014.

Non Final Office Action for related U.S. Appl. No. 13/835,621 dated Aug. 8, 2014.

Trane EarthWise™ CenTra Vac™ Water-Cooled Liquid Chillers 165-3950 Tons 50 and 60 Hz; CTV PRC007-EN; Oct. 2002; 56 pages.

Final Office Action regarding U.S. Appl. No. 11/098,575, dated Jun. 17, 2010.

Building Environmental Control (BEC) Installation and Operation Manual, Computer Process Controls, Jan. 5, 1998.

European Search Report for Application No. EP 04 81 5853, dated Jul. 17, 2007, 2 Pages.

European Search Report for Application No. EP 06 02 6263, dated Jul. 17, 2007, 4 Pages.

First Office Action issued by the Chinese Patent Office dated May 30, 2008 regarding Application No. 200580013451.8, 8 Pages.

Second Office Action issued by the Chinese Patent Office dated Mar. 6, 2009 regarding Application No. 200580013451.8, 7 Pages.

Written Opinion of the International Searching Authority regarding Application No. PCT/US2012/026973, dated Sep. 3, 2012.

Invitation to Indicate Claims to be Searched regarding European Patent Application No. 07 796 879.0, dated Feb. 20, 2013.

Non-Final Office Action regarding U.S. Appl. No. 13/784,890, dated Jun. 11, 2013.

Restriction Requirement regarding U.S. Appl. No. 11/776,879, dated Jun. 4, 2010.

Written Opinion of the International Searching Authority regarding Application No. PCT/US2007/016135, dated Oct. 22, 2007.

International Search Report and Written Opinion of the ISA regarding International Application No. PCT/US2014/032927, ISA/KR dated Aug. 21, 2014.

Written Opinion of the International Searching Authority regarding Application No. PCT/US2013/061389, dated Jan. 22, 2014.

Notice of Allowance and Fees Due regarding U.S. Appl. No. 12/943,626, dated Jun. 19, 2014.

(56)

References Cited

OTHER PUBLICATIONS

Fourth Office Action from the State Intellectual Property Office of People's Republic of China regarding Chinese Patent Application No. 200510005907.8, dated Dec. 8, 2011. Translation provided by Unitalen Attorneys at Law.

European Search Report regarding Application No. 04022784.5-2315 / 1500821, dated Aug. 14, 2012.

The International Search Report regarding International Application No. PCT/US2007/019563, dated Jan. 15, 2008.

Notice of Allowance and Fees Due regarding U.S. Appl. No. 13/737,566, dated Jun. 18, 2014.

Non-Final Office Action regarding U.S. Appl. No. 13/770,123, dated Jun. 11, 2014.

Notice of Allowance for related U.S. Appl. No. 13/836,043, dated Oct. 9, 2014.

Notice of Allowance for related U.S. Appl. No. 13/836,244, dated Oct. 30, 2014.

Office Action for related U.S. Appl. No. 13/269,188, dated Oct. 6, 2014.

Office Action for related U.S. Appl. No. 13/767,479, dated Oct. 21, 2014.

International Search Report and Written Opinion for related PCT Application No. PCT/US2014/028859, dated Aug. 22, 2014.

Non Final Office Action for U.S. Appl. No. 13/407,180, dated Dec. 2, 2014.

Notice of Allowance and Fees Due regarding U.S. Appl. No. 13/737,566, dated Sep. 24, 2014.

Second Office Action from the State Intellectual Property Office of People's Republic of China regarding Chinese Patent Application No. 201110349785.X, dated Jul. 25, 2014. Translation provided by Unitalen Attorneys at Law.

Examiner's Report No. 1 regarding Australian Patent Application No. 2013202431, dated Nov. 25, 2014.

Patent Examination Report for Australian Application No. 2012223466 dated Jan. 6, 2015.

Notice of Allowance for U.S. No. 13/835,742 dated Dec. 24, 2014.

Notice of Allowance for U.S. Appl. No. 13/835,810 dated Jan. 2, 2015.

Notice of Allowance for U.S. Appl. No. 13/836,453 dated Dec. 24, 2014.

Office Action for U.S. Appl. No. 13/835,621 dated Dec. 29, 2014.

Final Office Action for U.S. Appl. No. 13/770,123 dated Dec. 22, 2014.

Notice of Allowance for U.S. Appl. No. 13/836,043 dated Feb. 4, 2015.

Office Action for U.S. Appl. No. 13/767,479 dated Feb. 6, 2015.

Office Action for U.S. Appl. No. 13/269,188 dated Feb. 10, 2015.

Office Action for Canadian Application No. 2,828,740 dated Jan. 12, 2015.

Third Chinese Office Action regarding Application No. 201110349785.X, dated Jan. 30, 2015. Translation provided by Unitalen Attorneys at Law.

Non-Final Office Action regarding U.S. Appl. No. 13/932,611, dated Jan. 30, 2015.

Notice of Allowance regarding U.S. Appl. No. 13/835,621, dated Mar. 10, 2015.

Interview Summary regarding U.S. Appl. No. 13/269,188, dated Mar. 18, 2015.

Final Office Action and Interview Summary regarding U.S. Appl. No. 13/407,180, dated Mar. 13, 2015.

Office Action regarding U.S. Appl. No. 13/770,479, dated Mar. 16, 2015.

Office Action regarding U.S. Appl. No. 13/770,123, dated Apr. 2, 2015.

Notice of Allowance regarding U.S. Appl. No. 13/767,479, dated Mar. 31, 2015.

Office Action from U.S. Appl. No. 13/369,067 dated Apr. 3, 2015.

Haiad et al., "EER & SEER As Predictors of Seasonal Energy Performance", Oct. 2004, Southern California Edison, http://www.doe2.com/download/DEER/SEER%2BProgThermostats/EER-SEER_CASE_ProjectSummary_Oct2004_V6a.pdf.

Notice of Allowance regarding U.S. Appl. No. 13/835,742, dated Apr. 17, 2015.

Notice of Allowance regarding U.S. Appl. No. 13/836,453, dated Apr. 15, 2015.

Advisory Action regarding U.S. Appl. No. 13/269,188, dated Apr. 13, 2015.

U.S. Office Action regarding U.S. Appl. No. 13/269,188, dated May 8, 2015.

U.S. Office Action regarding U.S. Appl. No. 14/212,632, dated May 15, 2015.

First Chinese Office Action regarding Application No. 201380005300.2, dated Apr. 30, 2015. Translation provided by Unitalen Attorneys at Law.

Advisory Action and Interview Summary regarding U.S. Appl. No. 13/407,180, dated May 27, 2015.

Interview Summary regarding U.S. Appl. No. 13/407,180, dated Jun. 11, 2015.

Interview Summary regarding U.S. Appl. No. 13/770,479, dated Jun. 16, 2015.

Extended European Search Report regarding European Application No. 08845689.2-1608/2207964, dated Jun. 19, 2015.

Extended European Search Report regarding European Application No. 08848538.8-1608 / 2220372, dated Jun. 19, 2015.

Notice of Allowance regarding U.S. Appl. No. 13/932,611, dated Jul. 6, 2015.

Restriction Requirement regarding U.S. Appl. No. 14/244,967, dated Jul. 14, 2015.

Interview Summary regarding U.S. Appl. No. 13/369,067, dated Jul. 16, 2015.

Applicant-Initiated Interview Summary and Advisory Action regarding U.S. Appl. No. 13/369,067, dated Jul. 23, 2015.

Faramarzi et al., "Performance Evaluation of Rooftop Air Conditioning Units at High Ambient Temperatures," 2004 ACEEE Summer Study on Energy Efficiency in Buildings—http://aceee.org/files/proceedings/2004/data/papers/SSO4_Panel3_Paper05.pdf.

Notice of Allowance regarding U.S. Appl. No. 12/261,643, dated Jul. 29, 2015.

Notice of Allowance regarding U.S. Appl. No. 13/770,123, dated Aug. 13, 2015.

Notice of Allowance and Interview Summary regarding U.S. Appl. No. 13/269,188, dated Aug. 26, 2015.

Office Action regarding Indian Patent Application No. 733/KOLNP/2009, dated Aug. 12, 2015.

Applicant-Initiated Interview Summary regarding U.S. Appl. No. 14/212,632, dated Sep. 2, 2015.

Notice of Allowance regarding U.S. Appl. No. 13/369,067, dated Sep. 2, 2015.

Notice of Allowance regarding U.S. Appl. No. 13/407,180, dated Sep. 4, 2015.

Final Office Action regarding U.S. Appl. No. 13/770,479, dated Sep. 4, 2015.

Office Action regarding U.S. Appl. No. 14/209,415, dated Sep. 10, 2015.

Search Report regarding European Patent Application No. 13736303.2-1806, dated Sep. 17, 2015.

First Office Action regarding Chinese Patent Application No. 201280010796.8, dated Sep. 14, 2015. Translation provided by Unitalen Attorneys At Law.

Notice of Allowance regarding U.S. Appl. No. 13/770,123, dated Oct. 1, 2015.

Office Action regarding Australian Patent Application No. 2013323760, dated Sep. 25, 2015.

Office Action and Interview Summary regarding U.S. Appl. No. 14/244,967, dated Oct. 7, 2015.

Office Action regarding U.S. Appl. No. 14/255,519, dated Nov. 9, 2015.

Office Action regarding U.S. Appl. No. 14/212,632, dated Nov. 19, 2015.

Interview Summary regarding U.S. Appl. No. 13/770,479, dated Nov. 25, 2015.

(56)

References Cited

OTHER PUBLICATIONS

Office Action regarding Chinese Patent Application No. 201380049458. X, dated Nov. 13, 2015. Translation provided by Unitalen Attorneys at Law.

Search Report regarding European Patent Application No. 08251185. 8-1605 / 2040016, dated Dec. 4, 2015.

Interview Summary regarding U.S. Appl. No. 12/054,011, dated Jan. 30, 2012.

Office Action regarding U.S. Appl. No. 14/193,568, dated Nov. 3, 2015.

Office Action regarding Chinese Patent Application No. 201380005300. 2, dated Jan. 4, 2016. Translation provided by Unitalen Attorneys at Law.

Office Action regarding Australian Patent Application No. 2015207920, dated Dec. 4, 2015.

First Office Action issued by the Chinese Patent Office dated May 30, 2008 regarding Application No. 200580013451.8, 8 Pages. Translation provided by CCPIT Patent and Trademark Law Office.

Second Office Action issued by the Chinese Patent Office dated Mar. 6, 2009 regarding Application No. 200580013451.8, 7 Pages. Translation provided by CCPIT Patent and Trademark Law Office.

Advisory Action regarding U.S. Appl. No. 14/212,632, dated Feb. 9, 2016.

Office Action regarding U.S. Appl. No. 14/244,967, dated Feb. 12, 2016.

Office Action regarding European Patent Application No. 08848538. 8-1608, dated Feb. 3, 2016.

Advisory Action regarding U.S. Appl. No. 14/212,632, dated Mar. 8, 2016.

Office Action regarding U.S. Appl. No. 14/209,415, dated Mar. 10, 2016.

Office Action regarding U.S. Appl. No. 14/212,632, dated Apr. 7, 2016.

Office Action regarding U.S. Appl. No. 12/943,626, dated May 4, 2016.

Office Action regarding Australian Patent Application No. 2014229103, dated Apr. 28, 2016.

Office Action regarding U.S. Appl. No. 14/617,451, dated Jun. 2, 2016.

Office Action regarding U.S. Appl. No. 14/193,568, dated Jun. 1, 2016.

Office Action regarding U.S. Appl. No. 14/080,473, dated Jun. 6, 2016.

Interview Summary regarding U.S. Appl. No. 14/209,415, dated Jun. 20, 2016.

Search Report regarding European Patent Application No. 13841699. 5, dated Jun. 30, 2016.

Office Action regarding Chinese Patent Application No. 201480016023. X, dated Jun. 22, 2016. Translation provided by Unitalen Attorneys at Law.

Interview Summary regarding U.S. Appl. No. 14/617,451, dated Jul. 28, 2016.

Office Action regarding U.S. Appl. No. 14/208,636, dated Aug. 4, 2016.

Advisory Action regarding U.S. Appl. No. 14/193,568, dated Aug. 10, 2016.

Office Action regarding U.S. Appl. No. 14/727,756, dated Aug. 22, 2016.

Office Action regarding U.S. Appl. No. 14/244,967, dated Aug. 29, 2016.

Office Action regarding U.S. Appl. No. 13/770,479, dated Sep. 7, 2016.

Office Action regarding U.S. Appl. No. 15/096,196, dated Sep. 13, 2016.

Office Action regarding Canadian Patent Application No. 2,904,734, dated Sep. 13, 2016.

Office Action regarding U.S. Appl. No. 14/300,782, dated Sep. 30, 2016.

Office Action regarding U.S. Appl. No. 14/255,519, dated Oct. 5, 2016.

Office Action regarding Australian Patent Application No. 2015255255, dated Sep. 8, 2016.

Office Action regarding Canadian Patent Application No. 2,908,362, dated Sep. 21, 2016.

Search Report regarding European Patent Application No. 14764311. 8, dated Oct. 27, 2016.

Search Report regarding European Patent Application No. 14763232. 7, dated Oct. 27, 2016.

Office Action regarding U.S. Appl. No. 12/943,626, dated Nov. 4, 2016.

Louis Goodman et al. "Vertical Motion of Neutrally Buoyant Floats." *Journal of Atmospheric and Oceanic Technology*. vol. 7. Feb. 1990.

Search Report regarding European Patent Application No. 14780284. 7, dated Nov. 2, 2016.

Office Action regarding U.S. Appl. No. 14/080,473, dated Nov. 16, 2016.

Applicant-Initiated Interview Summary regarding U.S. Appl. No. 13/770,479, dated Dec. 9, 2016.

Office Action regarding U.S. Appl. No. 14/244,967, dated Jan. 20, 2017.

Search Report regarding European Patent Application No. 16187893. 9, dated Jan. 19, 2017.

Advisory Action regarding U.S. Appl. No. 14/080,473, dated Jan. 30, 2017.

Office Action regarding U.S. Appl. No. 14/208,636, dated Jan. 26, 2017.

Office Action regarding Indian Patent Application No. 102/KOLNP/2009, dated Mar. 10, 2017.

Office Action regarding U.S. Appl. No. 14/080,473, dated Mar. 14, 2017.

Office Action regarding U.S. Appl. No. 13/770,479, dated Mar. 17, 2017.

Advisory Action regarding U.S. Appl. No. 14/208,636, dated Mar. 23, 2017.

Richard E. Lofftus, Jr. "System Charge and Performance Evaluation." HVAC/R Training, Vatterott College. Jan. 2007.

Search Report regarding European Patent Application No. 12752872. 7, dated May 4, 2017.

Interview Summary regarding U.S. Appl. No. 13/770,479, dated May 10, 2017.

Advisory Action and Examiner-Initiated Interview Summary regarding U.S. Appl. No. 13/770,479, dated May 23, 2017.

Office Action regarding Canadian Patent Application No. 2,934,860, dated May 4, 2017.

Restriction Requirement regarding U.S. Appl. No. 14/607,782, dated Jun. 29, 2017.

Search Report regarding European Patent Application No. 10830696. 0, dated Jul. 18, 2017.

Office Action regarding European Patent Application No. 07811712. 4, dated Jul. 25, 2017.

Office Action regarding U.S. Appl. No. 14/607,782, dated Sep. 21, 2017.

Examiner's Answer regarding U.S. Appl. No. 12/943,626, dated Sep. 19, 2017.

Office Action regarding Indian Patent Application No. 456/MUMNP/2010, dated Oct. 3, 2017.

Office Action regarding European Patent Application No. 07796879. 0, dated Oct. 19, 2017.

Office Action regarding Australian Patent Application No. 2014248049, dated Oct. 10, 2017.

Corrected Notice of Allowability regarding U.S. Appl. No. 14/080,473, dated Dec. 27, 2017.

Office Action regarding U.S. Appl. No. 14/208,636, dated Jan. 3, 2018.

First Office Action regarding Chinese Application No. 201610422700.4, dated Apr. 2, 2018. Translation provided by Unitalen Attorneys at Law.

Search Report regarding Chinese Patent Application No. 201610244700. 4, dated Mar. 25, 2018.

Notice of Allowance regarding U.S. Appl. No. 14/607,782, dated May 21, 2018.

(56)

References Cited

OTHER PUBLICATIONS

Kim, Minsung et al., "Performance of a Residential Heat Pump Operating in the Cooling Mode With Single Faults Imposed", Sep. 2006, U.S. Department of Commerce, NISTIR 7350 (175 pages).
Notice of Allowance regarding U.S. Appl. No. 15/645,970 dated Jun. 29, 2018.

Non-Final Office Action regarding U.S. Appl. No. 14/949,090 dated Jul. 5, 2018.

Notice of Allowance regarding U.S. Appl. No. 14/607,782 dated Jul. 3, 2018.

Notice of Allowance regarding U.S. Appl. No. 14/208,636 dated Jul. 30, 2018.

Non-Final Office Action regarding U.S. Appl. No. 15/613,375 dated Aug. 30, 2018.

Notice of Allowance regarding U.S. Appl. No. 14/208,636 dated Sep. 25, 2018.

* cited by examiner

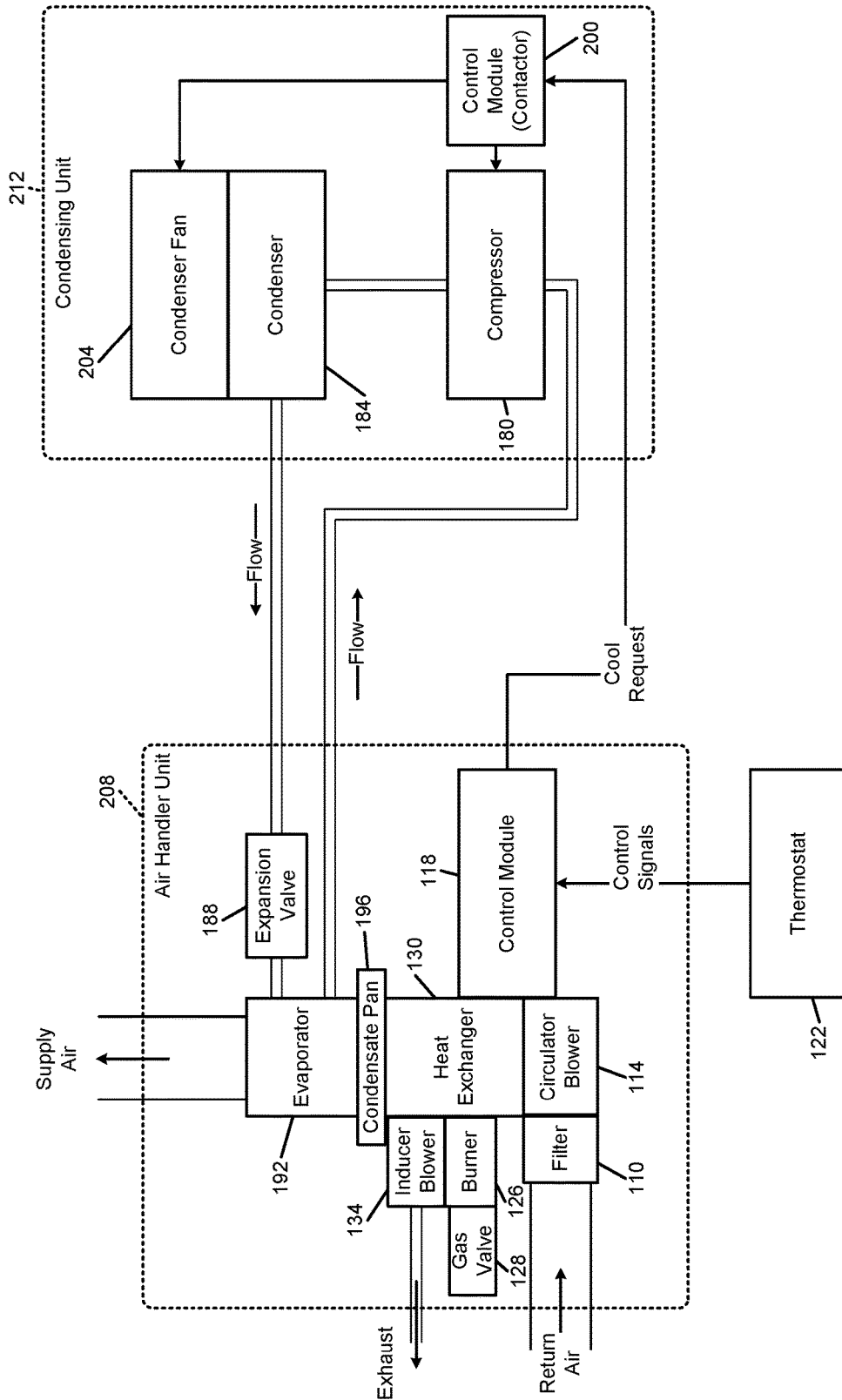


FIG. 1
Prior Art

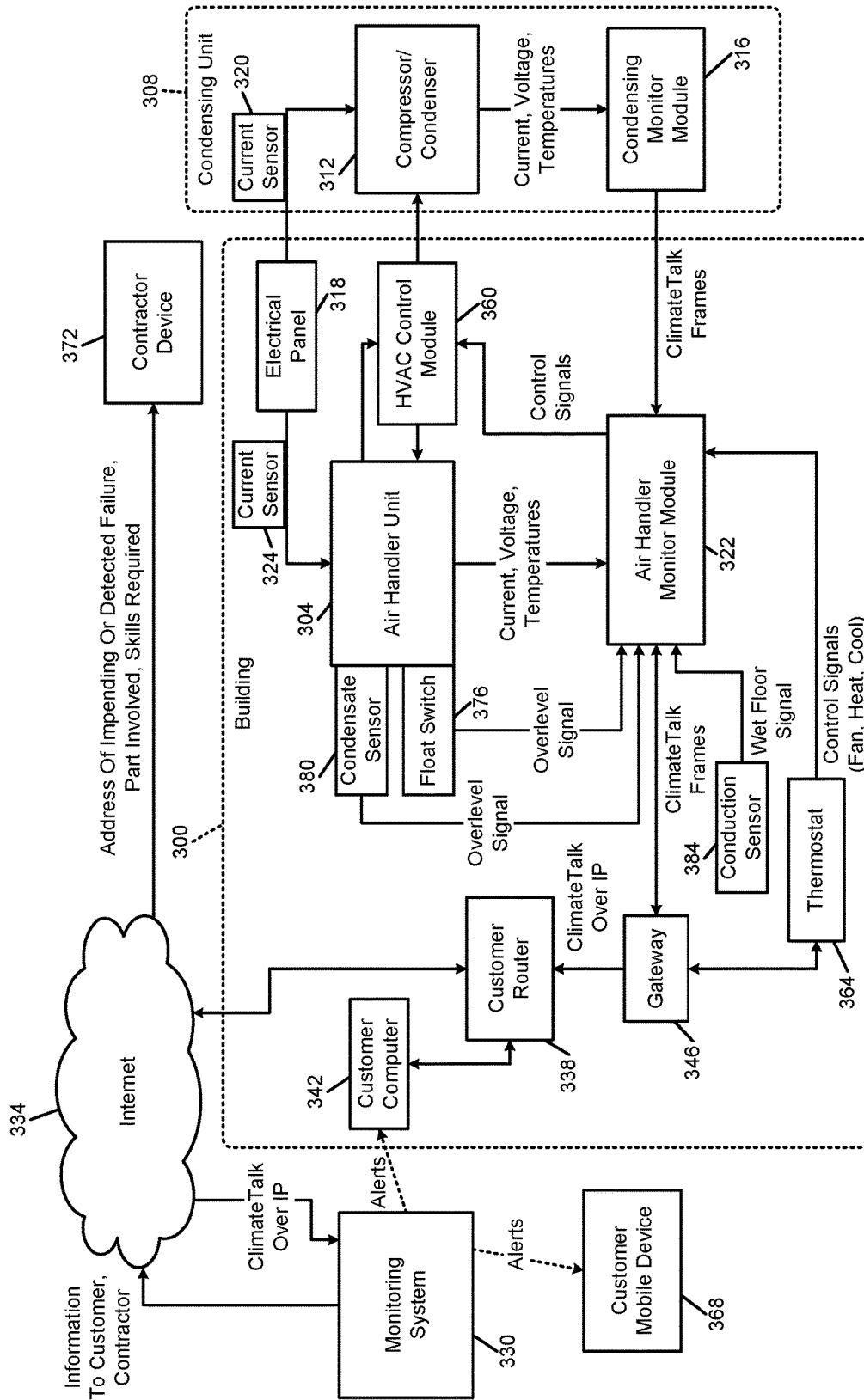


FIG. 2

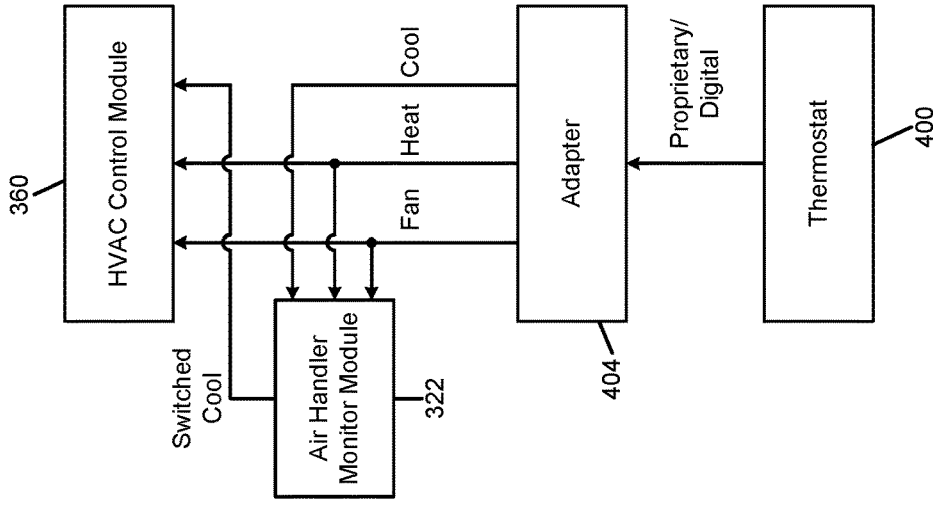


FIG. 3C

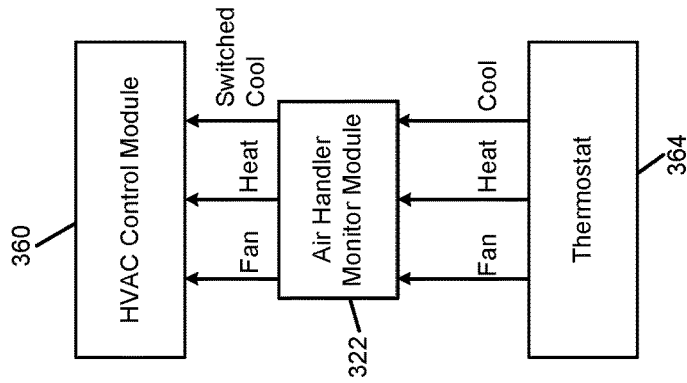


FIG. 3B

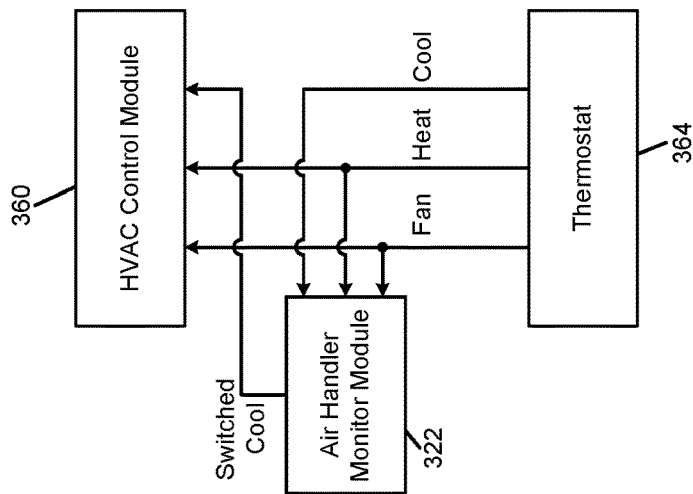


FIG. 3A

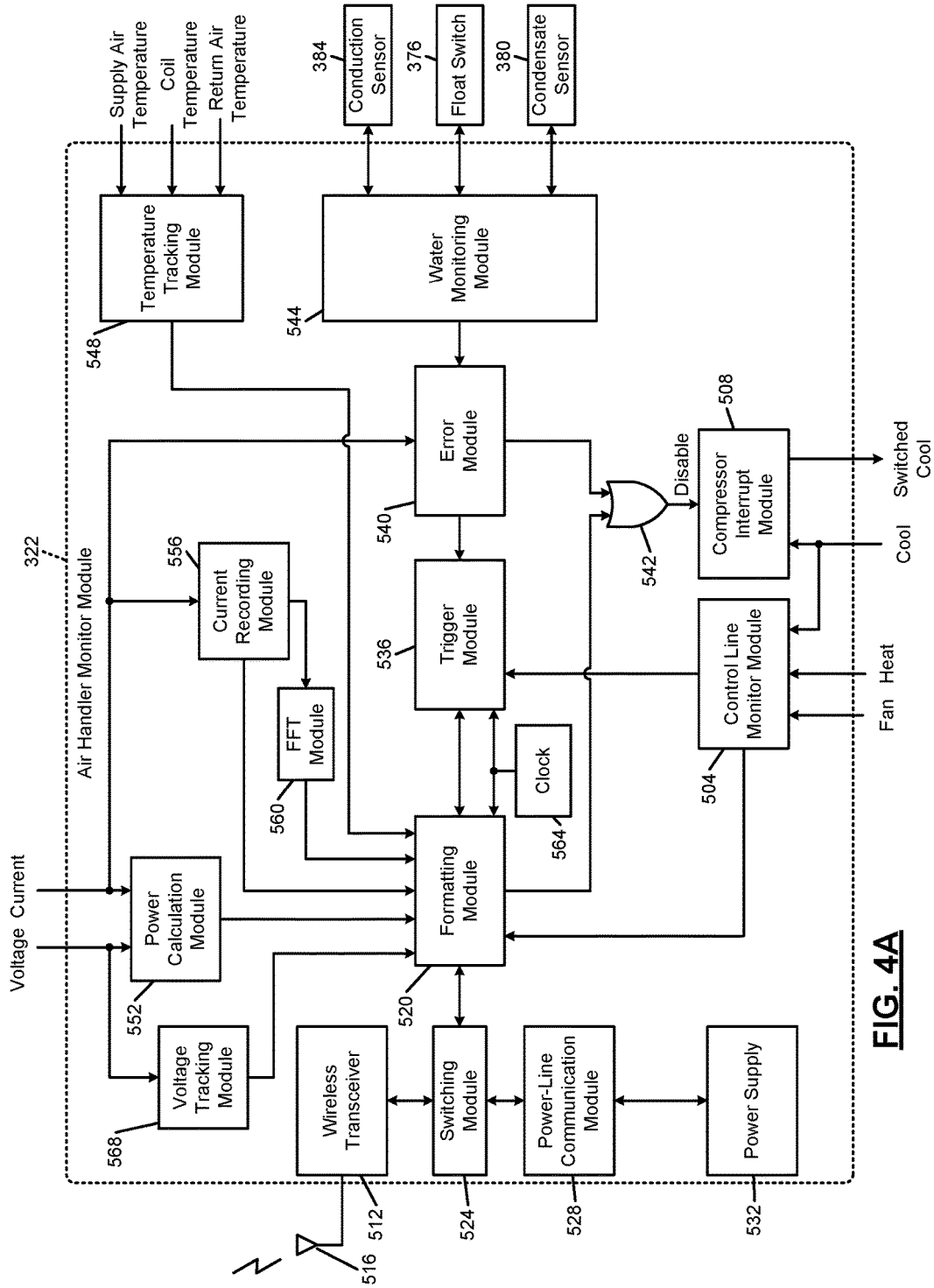


FIG. 4A

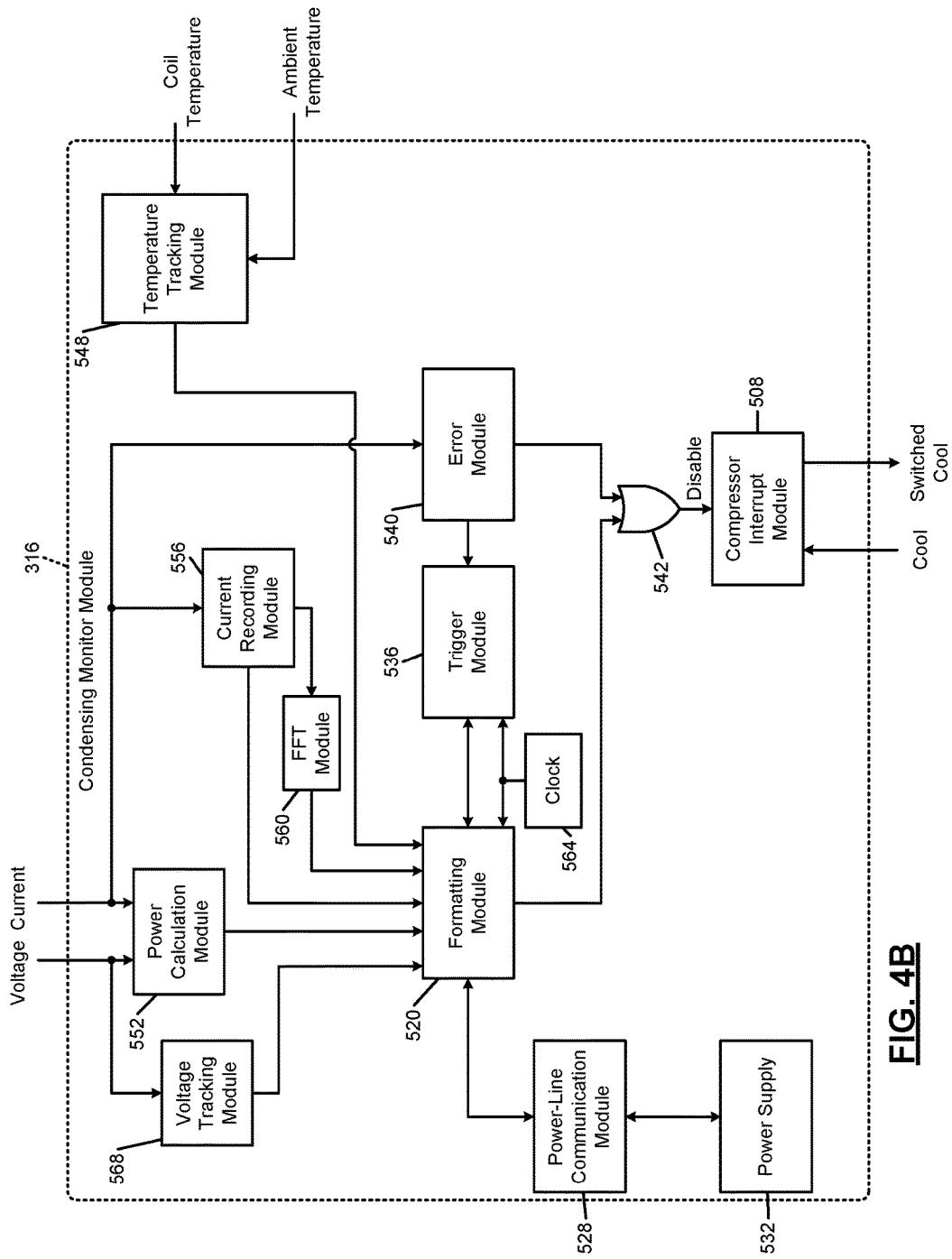


FIG. 4B

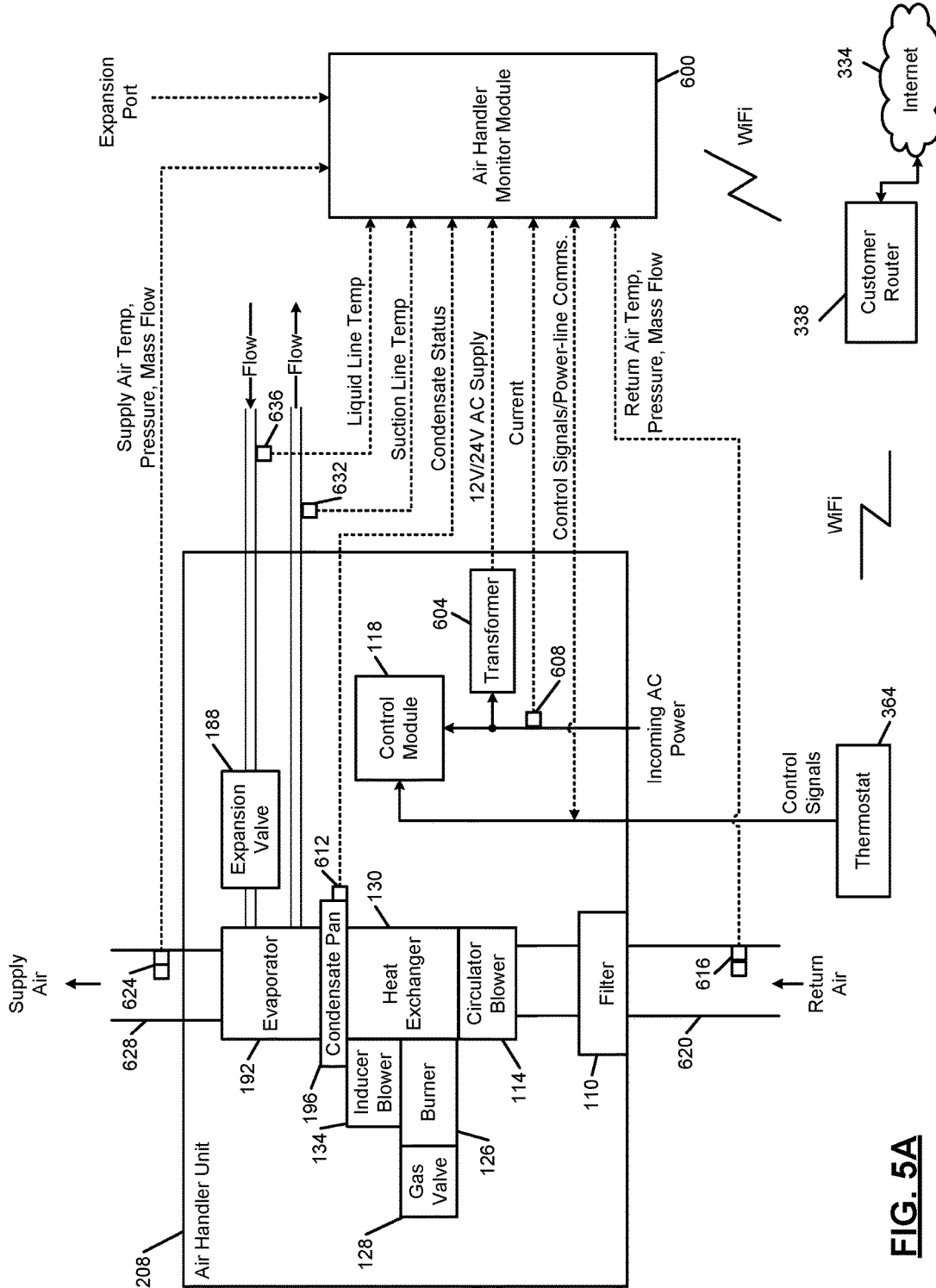


FIG. 5A

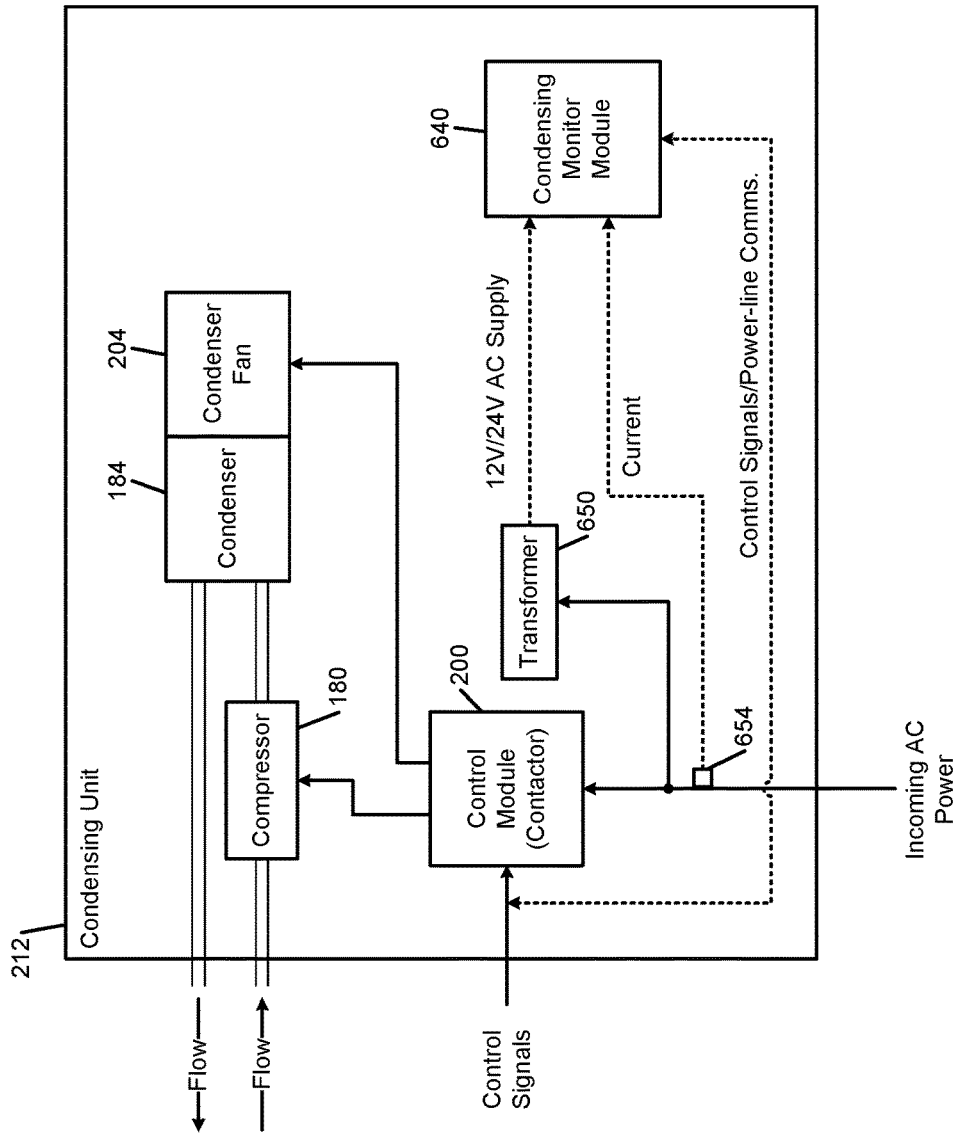


FIG. 5B

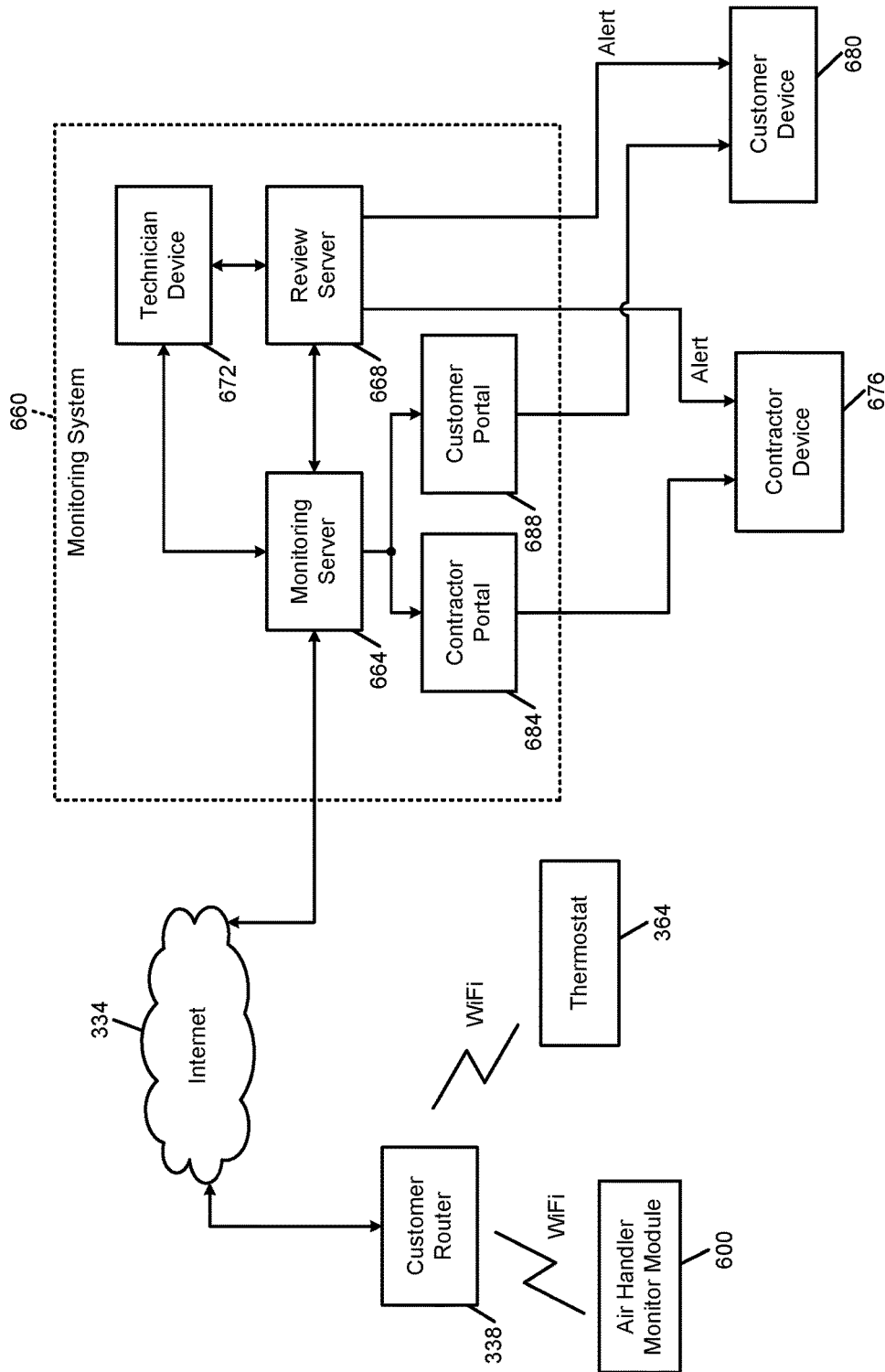


FIG. 5C

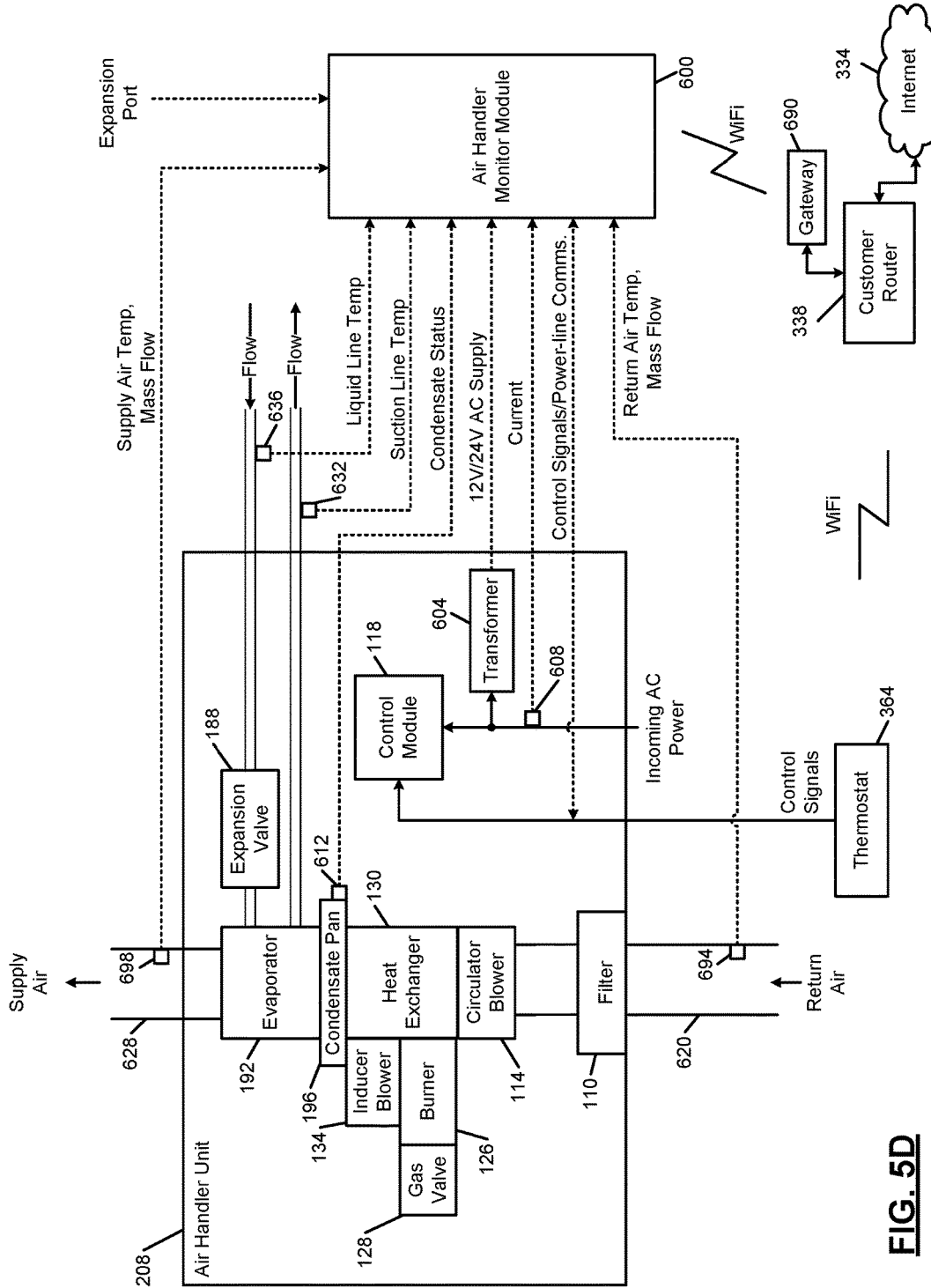
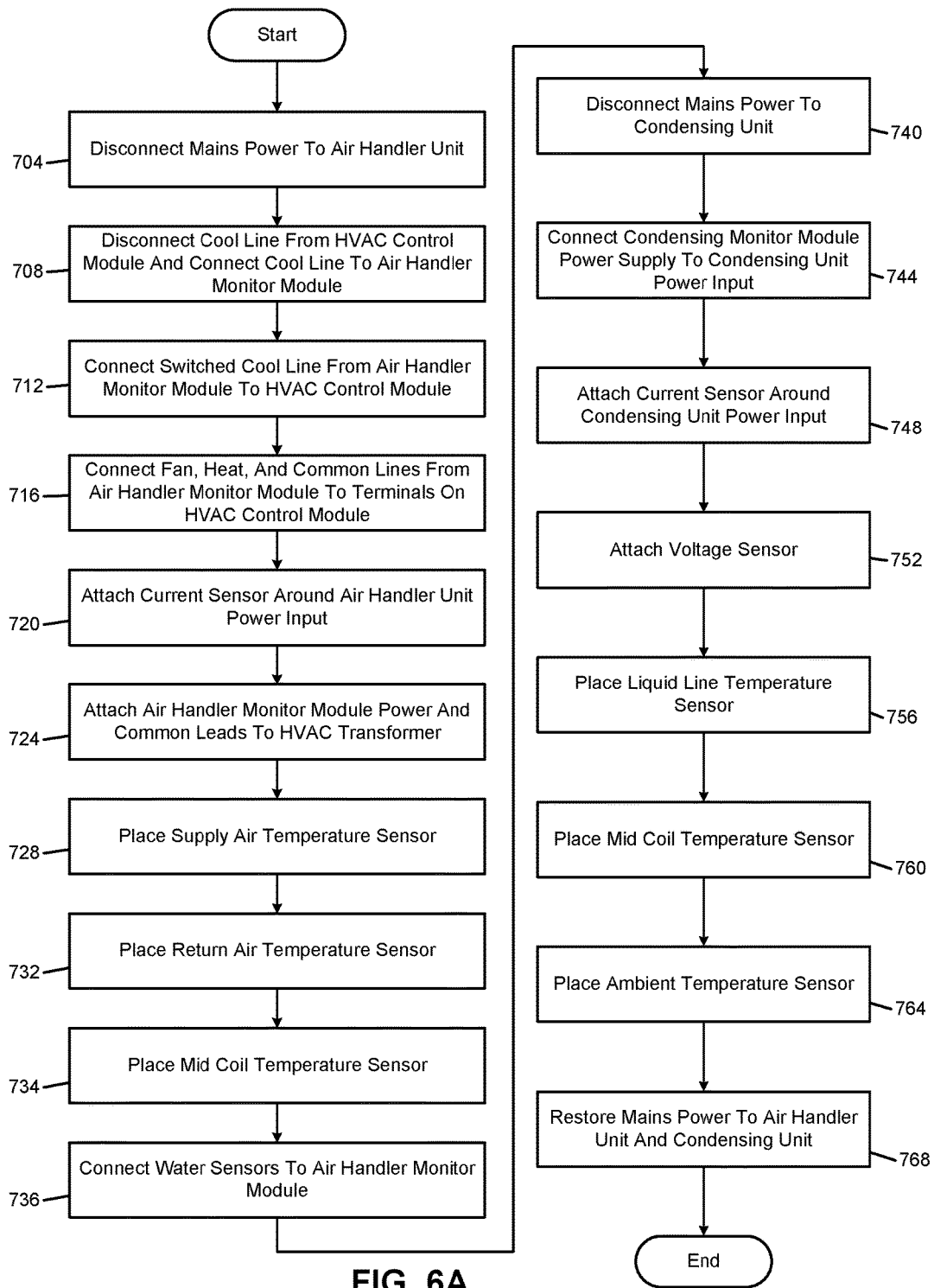


FIG. 5D



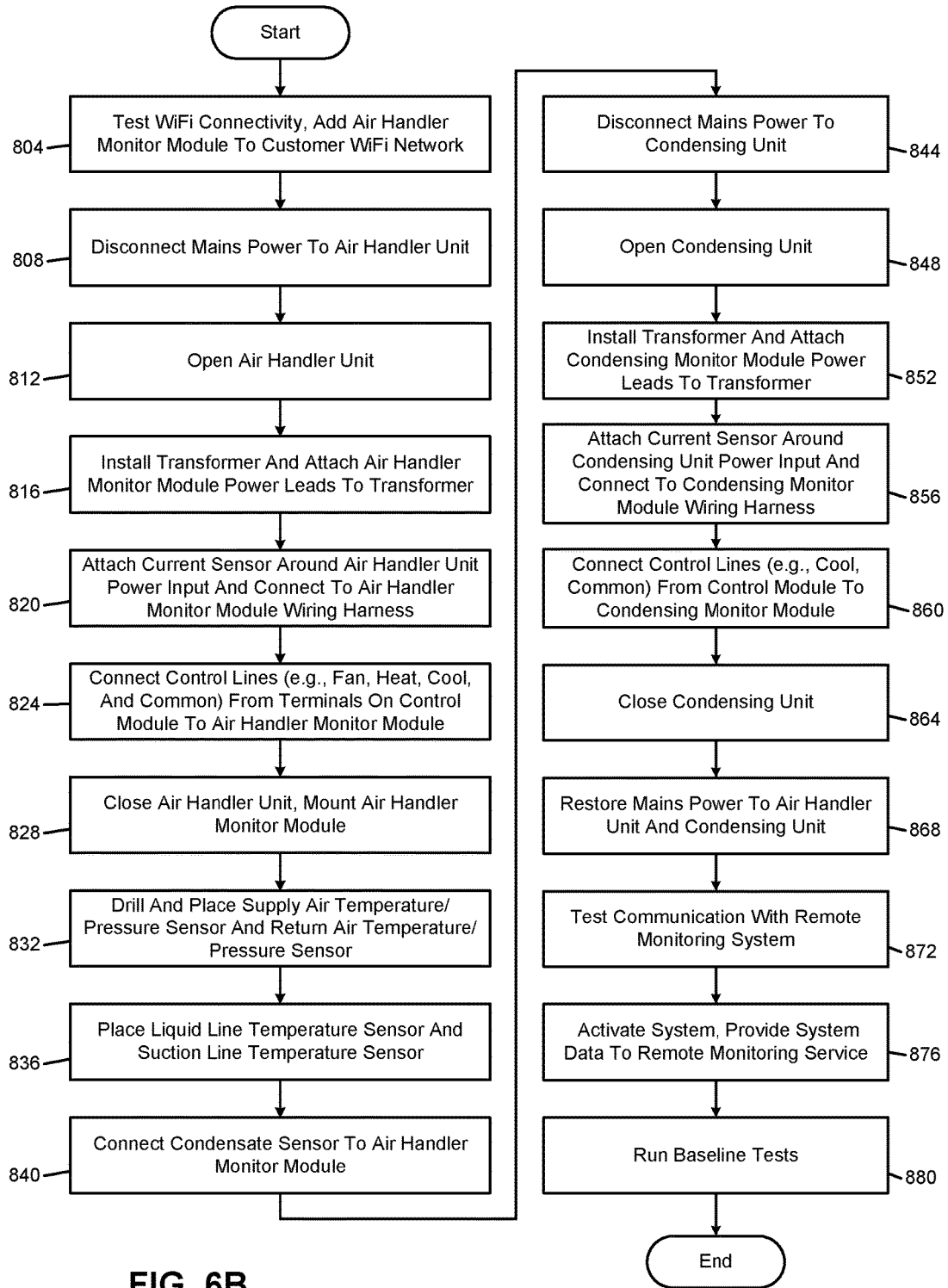


FIG. 6B

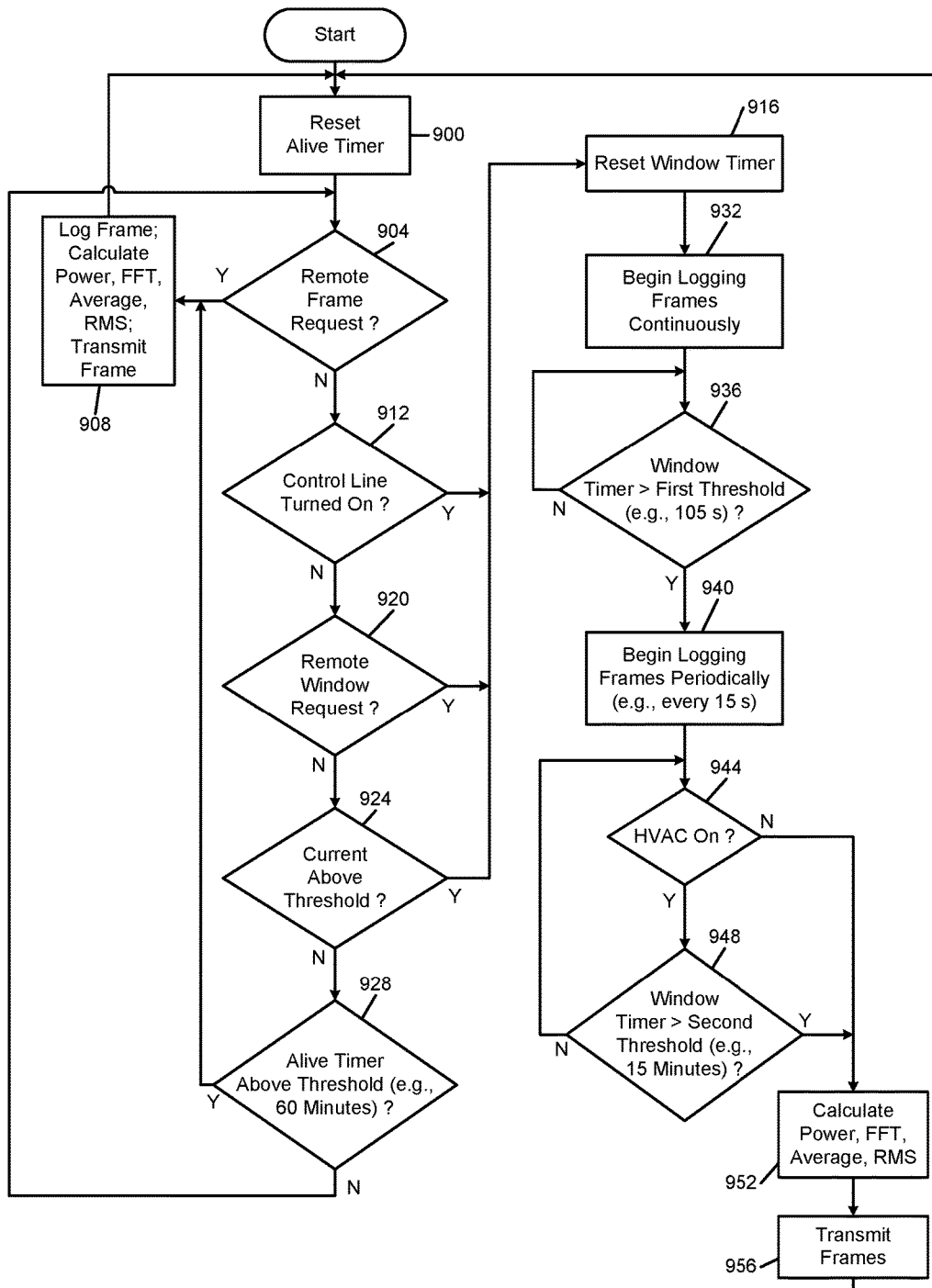


FIG. 7

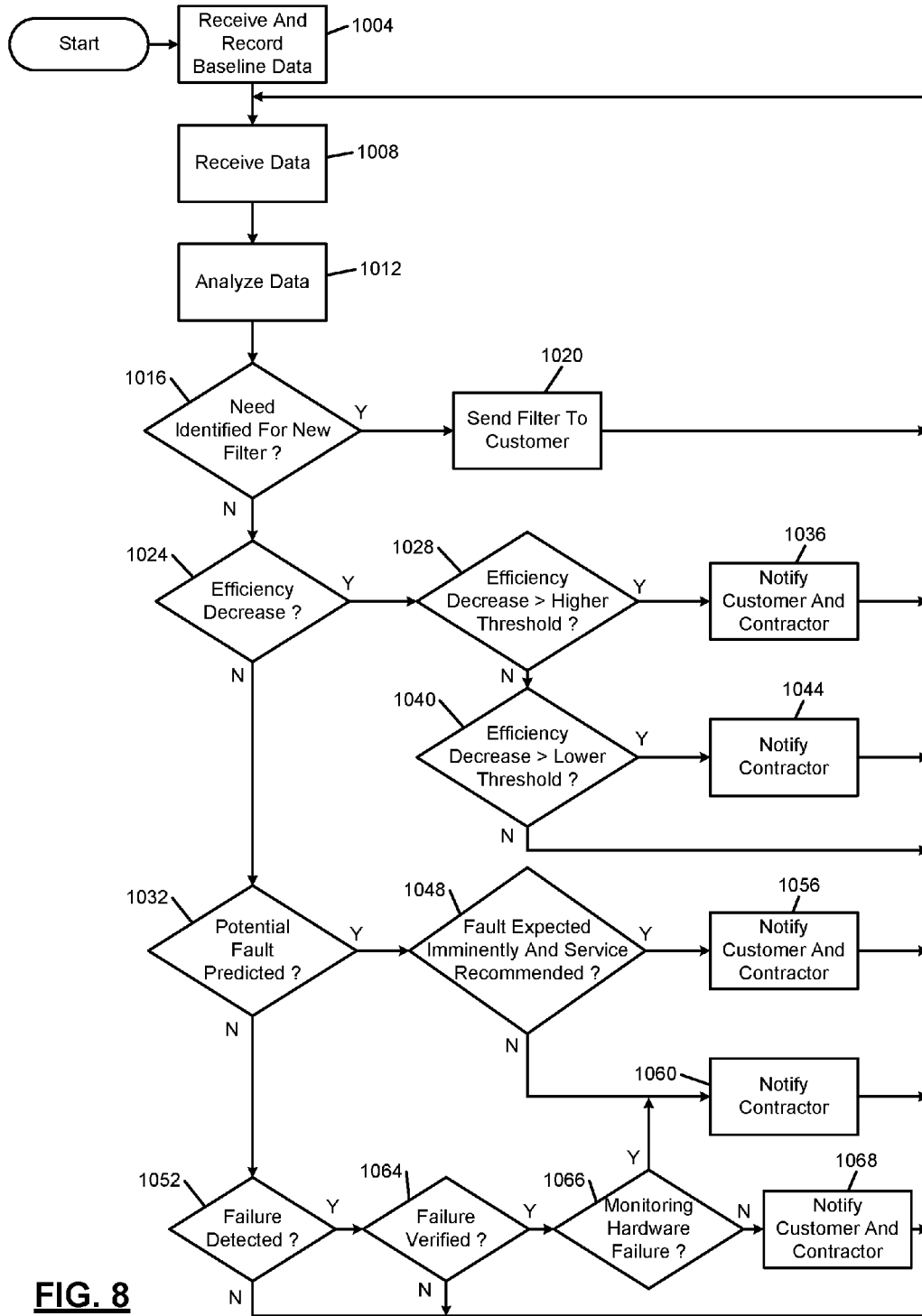


FIG. 8

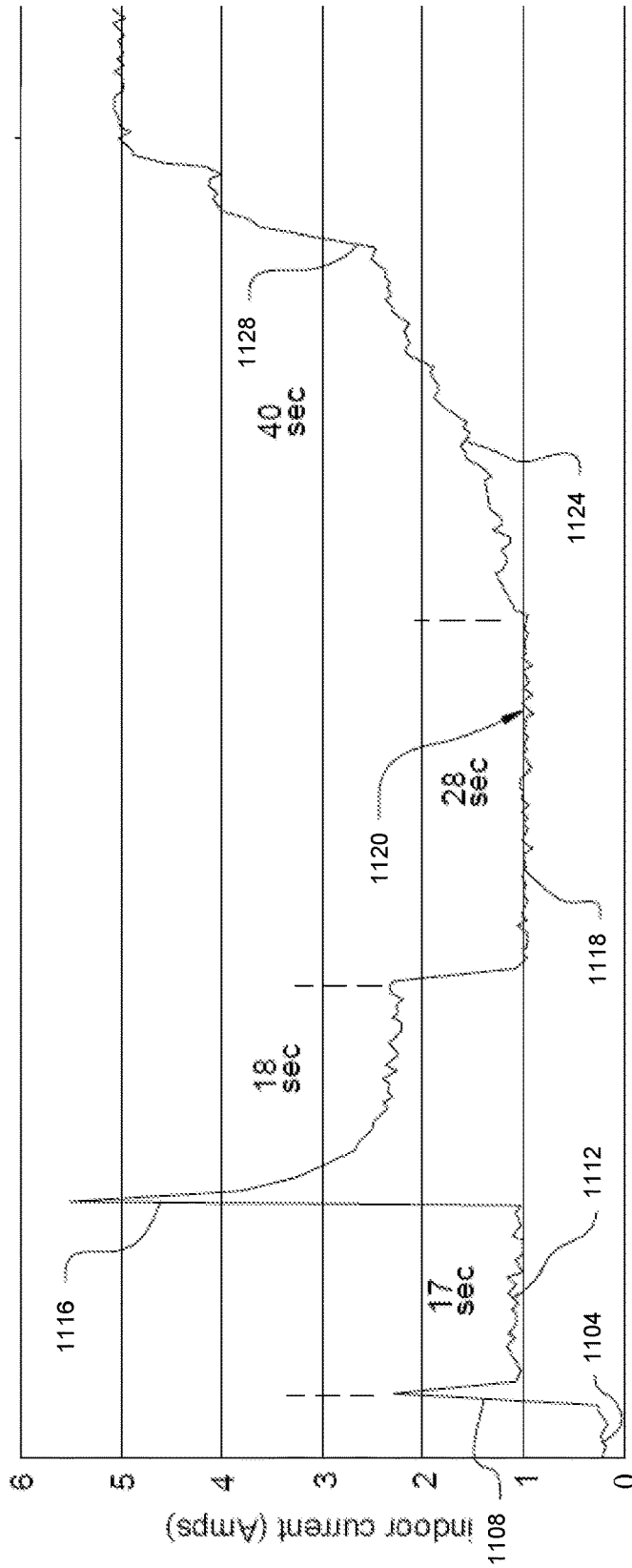


FIG. 9

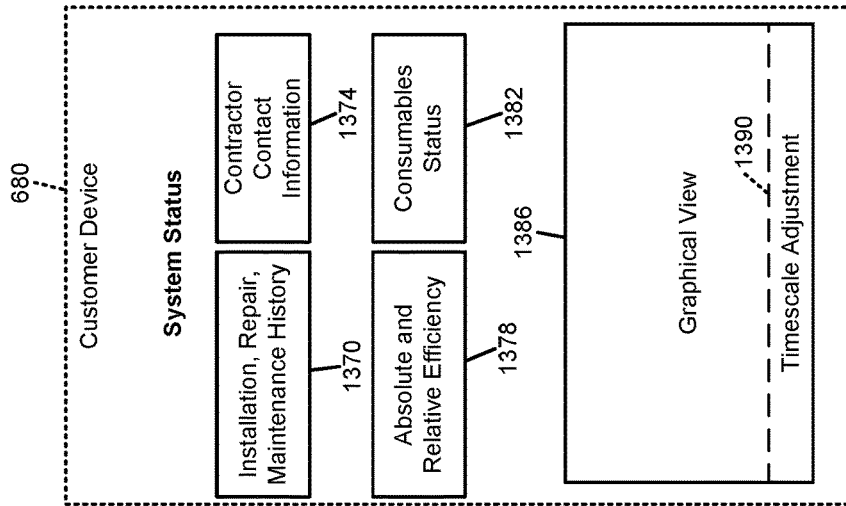


FIG. 10A

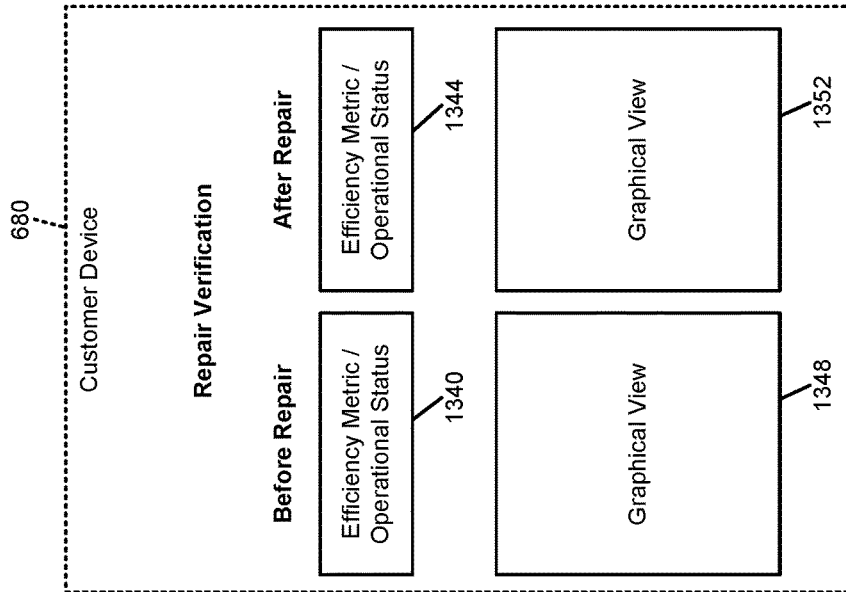


FIG. 10B

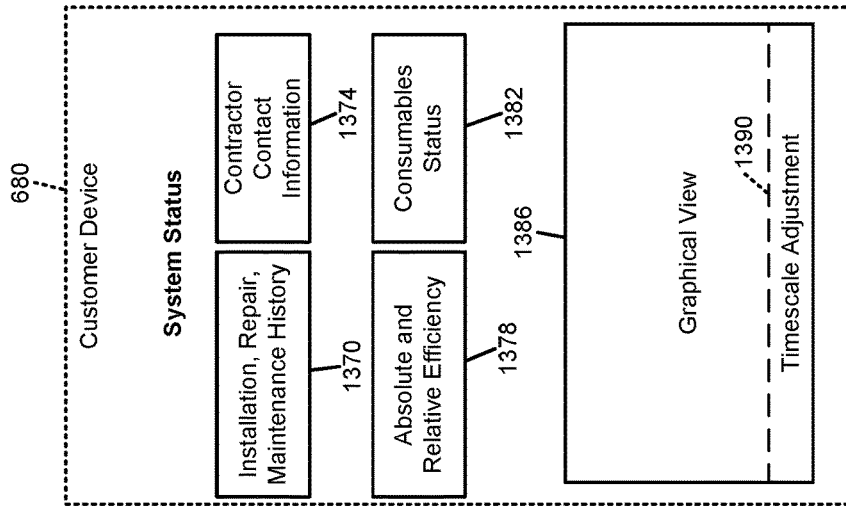


FIG. 10C

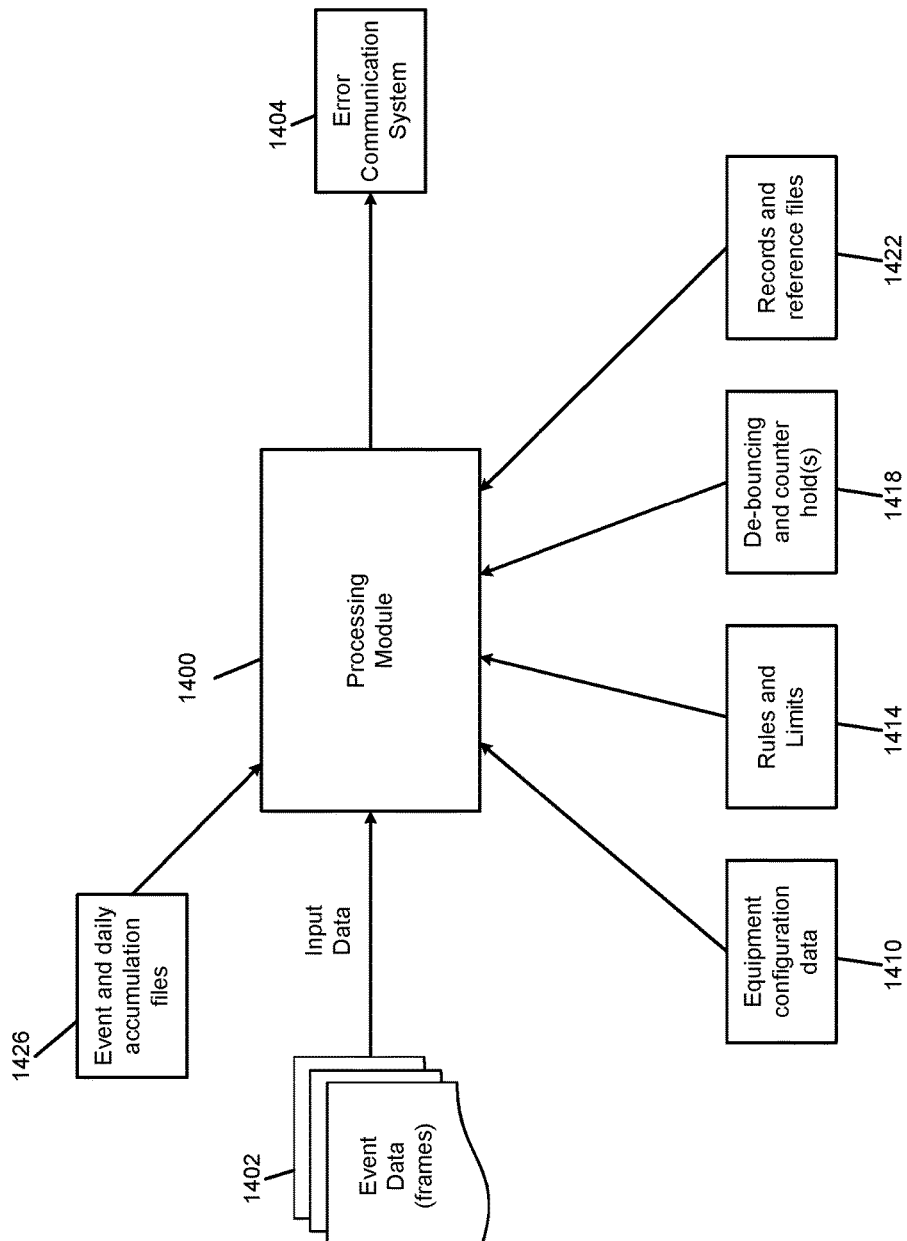


FIG. 11

FIG. 12F

	Indoor Current (A)	Indoor Current FFT	Indoor Voltage (V)	Indoor Power Factor	Indoor Power (kW)	Inside Module Temp (°F)	Outdoor Current (A)	Outdoor Voltage (V)	Outdoor Power Factor	Outdoor Power (kW)	Outdoor Current FFT	Supply Air Temp (°F)	Return Air Temp (°F)	Supply-Liquid (°F)	Suction Line Temp (°F)	Supply-Return Pressure (in H ₂ O)	Outside Module Temp (°F)	Call for Cool (Y) Status	Call for Heat (W) Status	Call for Fan (G/G2) Status	Reversing Valve O/B Status	Call for Stage 2 Cool (Y2) Status	Call for Stage 2 Heat (W2) Status	Outside Air Temp (°F)	Mass Flow (lb/s)	Humidity (% Rel)	Tstat Temp (°F)	Tstat Command States	General Purpose Sensor Input
Gas Valve Fault Variation from baseline too high for heating (W/W2), but fault to heat, examine the FFT for the signature of the gas valve. Sequence depends on ignition type. Pressure used to verify fan did not run.	x	x	x	x	x							x	x	x		x			x				x						
Frozen Coil Variation from baseline too high Differential values exceed high limit over time Voltage, current, FFT and power measurements provide indication of compressor and fan faults. Directional shifts in temperatures, voltage, current, FFT, PF, and power measurements provide indication of conditions consistent with coil freezing.	x	x	x	x	x		x	x	x	x	x	x	x	x	x	x	x	x	x	x	x	x	x	x	x				
Dirty Filter Variation from baseline too high Changes in power, current, PF dependent on motor type coupled with a decrease in TS and reduced pressure indicate a dirty filter. Mass flow sensor directly indicates flow restriction for PSC motor.	x	y	y	x	x							x	x			x								x	x				
Compressor capacitors Variation from baseline too high Differential values exceed high limit over time Rapid change in power factor indicates fault while gradual changes to FFT or power factor indicate a more gradual decline. Outside air temperature factors apply. FFT analysis of start transition over time predicts capacitor fault							x	x	x	x	x													x	x	x			

FIG. 12G

	Indoor Current (A)	Indoor Current FFT	Indoor Voltage (V)	Indoor Power Factor	Indoor Power (kW)	Indoor Module Temp (°F)	Outdoor Current (A)	Outdoor Voltage (V)	Outdoor Power Factor	Outdoor Power (kW)	Outdoor Current FFT	Supply Air Temp (°F)	Return Air Temp (°F)	Supply-Liquid (°F)	Suction Line Temp (°F)	Supply-Return Pressure (in H ₂ O)	Outside Module Temp (°F)	Call for Cool (Y) Status	Call for Heat (W) Status	Call for Fan (G/G2) Status	Reversing Valve O/B Status	Call for Stage 2 Cool (Y2) Status	Call for Stage 2 Heat (W2) Status	Outside Air Temp (°F)	Mass Flow (lb/s)	Humidity (% Rel)	Tstat Temp (°F)	Tstat Command States	General Purpose Sensor Input
Fan imbalanced bearing or housing strike (circulator or inducer) Variation from baseline too high	x																												
FFT indicates a fan motor shaft, blade, or bearing fault.	x																												
Fail to cool - 15 minutes Differential values exceed limit over time																													
With a call for cooling (Y), duct supply and return air temperature measurements lack an indication of cooling for more than 15 min.												x	x	x								x							
Fail to cool - 30 minutes Differential values exceed limit over time																													
With a call for cooling (Y), duct supply and return air temperature measurements lack an indication of cooling for more than 30 minutes.												x	x	x								x							
Low Charge Differential values exceed limit over time																													
Variation from baseline too high																													
With a call for cooling (Y), duct supply and return air temperature measurements lack enough cooling and suction line/ differential of liquid and outside temperature is high/ low compared to baseline or a limit. Also Outside power may go low.												x	x	x	x							x							

FIG. 12M

<p>Thermostat Short Cycling Differential values exceed limit over time Call for cooling (Y) removed prior to full cooling sequence being completed. Home does not reach desired temperature.</p>	<p>Indoor Current (A) Indoor Current FFT Indoor Voltage (V) Indoor Power Factor Indoor Power (kW) Inside Module Temp (°F) Outdoor Current (A) Outdoor Voltage (V) Outdoor Power Factor Outdoor Power (kW) Outdoor Current FFT</p>	<p>Supply Air Temp (°F) Return Air Temp (°F) Supply-Liquid (°F) Suction Line Temp (°F) Supply-Return Pressure (in H₂O) Outside Module Temp (°F) Call for Cool (Y) Status Call for Heat (W) Status Call for Fan (G/G2) Status Reversing Valve O/B Status Call for Stage 2 Cool (Y2) Status</p>	<p>Call for Stage 2 Heat (W2) Status Outside Air Temp (°F) Mass Flow (lb/s) Humidity (% Rel) Tstat Temp (°F) Tstat Command States General Purpose Sensor Input</p>
<p>Simultaneous Heat and Cool Conflicting status line indications Simultaneous call for heat and cool</p>	<p>Indoor Current (A) Indoor Current FFT Indoor Voltage (V) Indoor Power Factor Indoor Power (kW) Inside Module Temp (°F) Outdoor Current (A) Outdoor Voltage (V) Outdoor Power Factor Outdoor Power (kW) Outdoor Current FFT</p>	<p>Supply Air Temp (°F) Return Air Temp (°F) Supply-Liquid (°F) Suction Line Temp (°F) Supply-Return Pressure (in H₂O) Outside Module Temp (°F) Call for Cool (Y) Status Call for Heat (W) Status Call for Fan (G/G2) Status Reversing Valve O/B Status Call for Stage 2 Cool (Y2) Status</p>	<p>Call for Stage 2 Heat (W2) Status Outside Air Temp (°F) Mass Flow (lb/s) Humidity (% Rel) Tstat Temp (°F) Tstat Command States General Purpose Sensor Input</p>
<p>Command Line on w/o Thermostat Call Unintended signal at the control lines With internet-enabled thermostat, compare commands with signals observed at the equipment</p>	<p>Indoor Current (A) Indoor Current FFT Indoor Voltage (V) Indoor Power Factor Indoor Power (kW) Inside Module Temp (°F) Outdoor Current (A) Outdoor Voltage (V) Outdoor Power Factor Outdoor Power (kW) Outdoor Current FFT</p>	<p>Supply Air Temp (°F) Return Air Temp (°F) Supply-Liquid (°F) Suction Line Temp (°F) Supply-Return Pressure (in H₂O) Outside Module Temp (°F) Call for Cool (Y) Status Call for Heat (W) Status Call for Fan (G/G2) Status Reversing Valve O/B Status Call for Stage 2 Cool (Y2) Status</p>	<p>Call for Stage 2 Heat (W2) Status Outside Air Temp (°F) Mass Flow (lb/s) Humidity (% Rel) Tstat Temp (°F) Tstat Command States General Purpose Sensor Input</p>
<p>True Efficiency or True SEER Evaluation of Operational Parameters Calculate actual SEER using the energy inputs and thermal output, mass flow allows true measurement of the output.</p>	<p>Indoor Current (A) Indoor Current FFT Indoor Voltage (V) Indoor Power Factor Indoor Power (kW) Inside Module Temp (°F) Outdoor Current (A) Outdoor Voltage (V) Outdoor Power Factor Outdoor Power (kW) Outdoor Current FFT</p>	<p>Supply Air Temp (°F) Return Air Temp (°F) Supply-Liquid (°F) Suction Line Temp (°F) Supply-Return Pressure (in H₂O) Outside Module Temp (°F) Call for Cool (Y) Status Call for Heat (W) Status Call for Fan (G/G2) Status Reversing Valve O/B Status Call for Stage 2 Cool (Y2) Status</p>	<p>Call for Stage 2 Heat (W2) Status Outside Air Temp (°F) Mass Flow (lb/s) Humidity (% Rel) Tstat Temp (°F) Tstat Command States General Purpose Sensor Input</p>
<p>Envelope Efficiency Thermal Calculation Compare heat transfer during off cycles against thermal input to measure envelope performance.</p>	<p>Indoor Current (A) Indoor Current FFT Indoor Voltage (V) Indoor Power Factor Indoor Power (kW) Inside Module Temp (°F) Outdoor Current (A) Outdoor Voltage (V) Outdoor Power Factor Outdoor Power (kW) Outdoor Current FFT</p>	<p>Supply Air Temp (°F) Return Air Temp (°F) Supply-Liquid (°F) Suction Line Temp (°F) Supply-Return Pressure (in H₂O) Outside Module Temp (°F) Call for Cool (Y) Status Call for Heat (W) Status Call for Fan (G/G2) Status Reversing Valve O/B Status Call for Stage 2 Cool (Y2) Status</p>	<p>Call for Stage 2 Heat (W2) Status Outside Air Temp (°F) Mass Flow (lb/s) Humidity (% Rel) Tstat Temp (°F) Tstat Command States General Purpose Sensor Input</p>

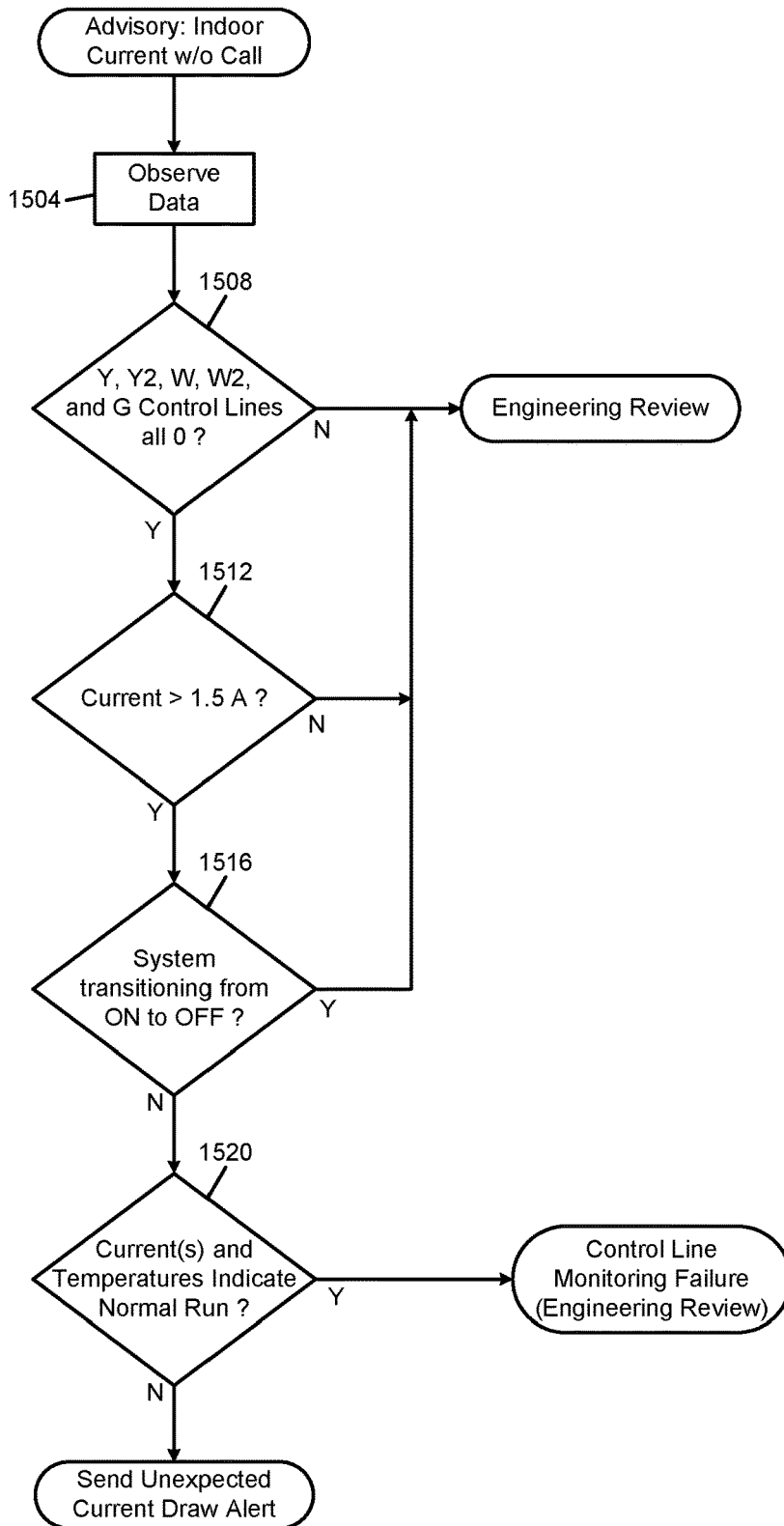


FIG. 13A

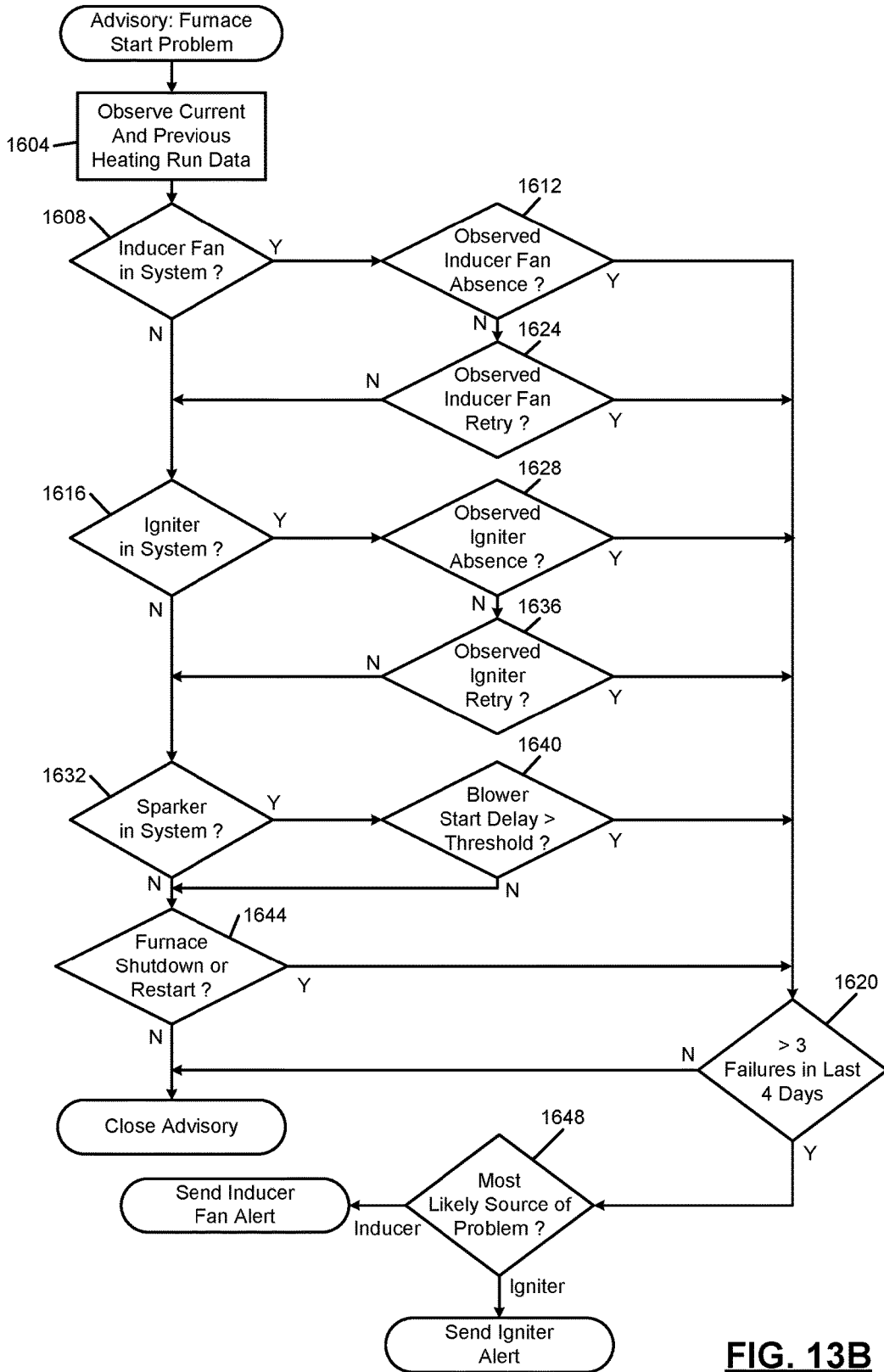


FIG. 13B

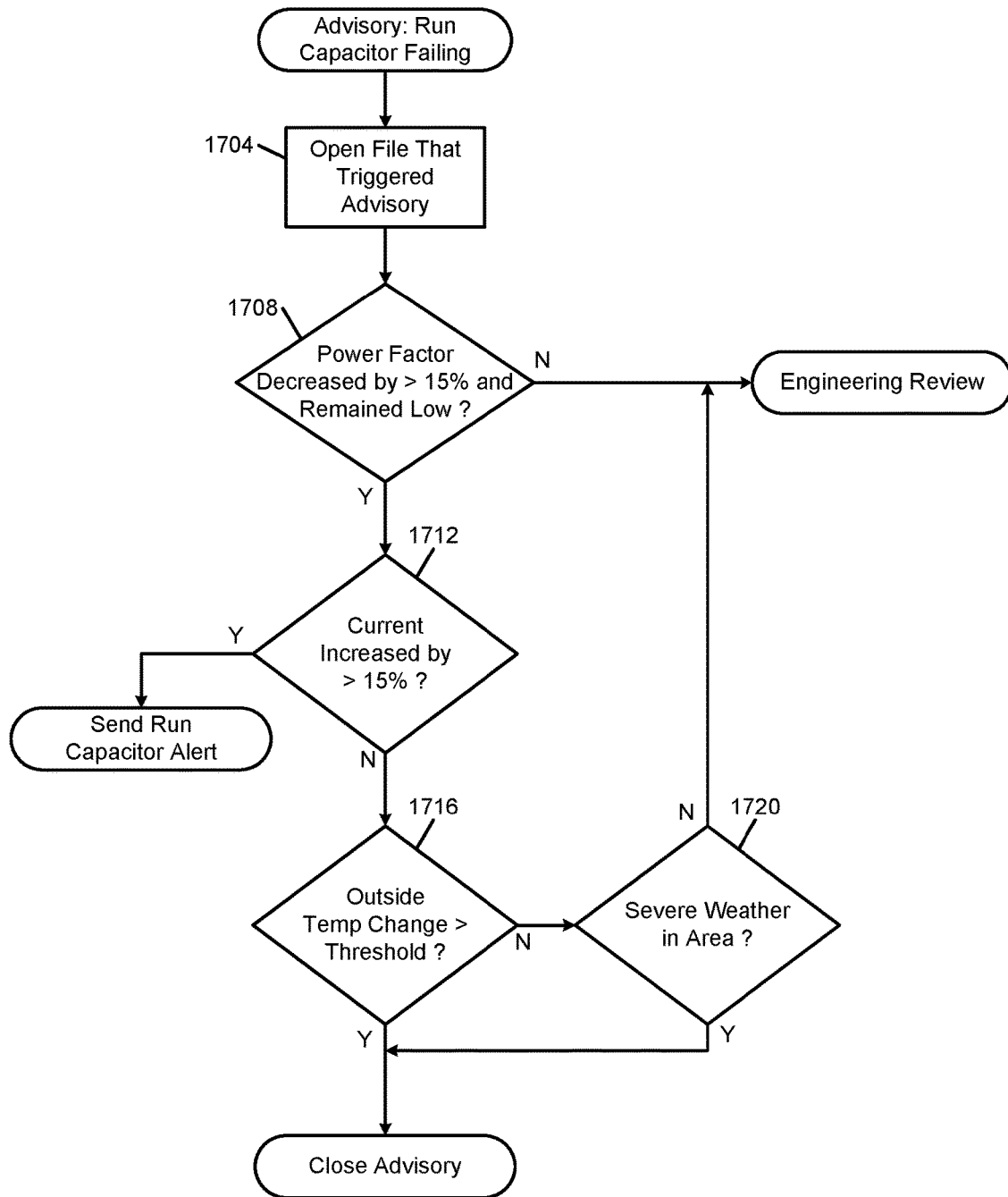


FIG. 13C

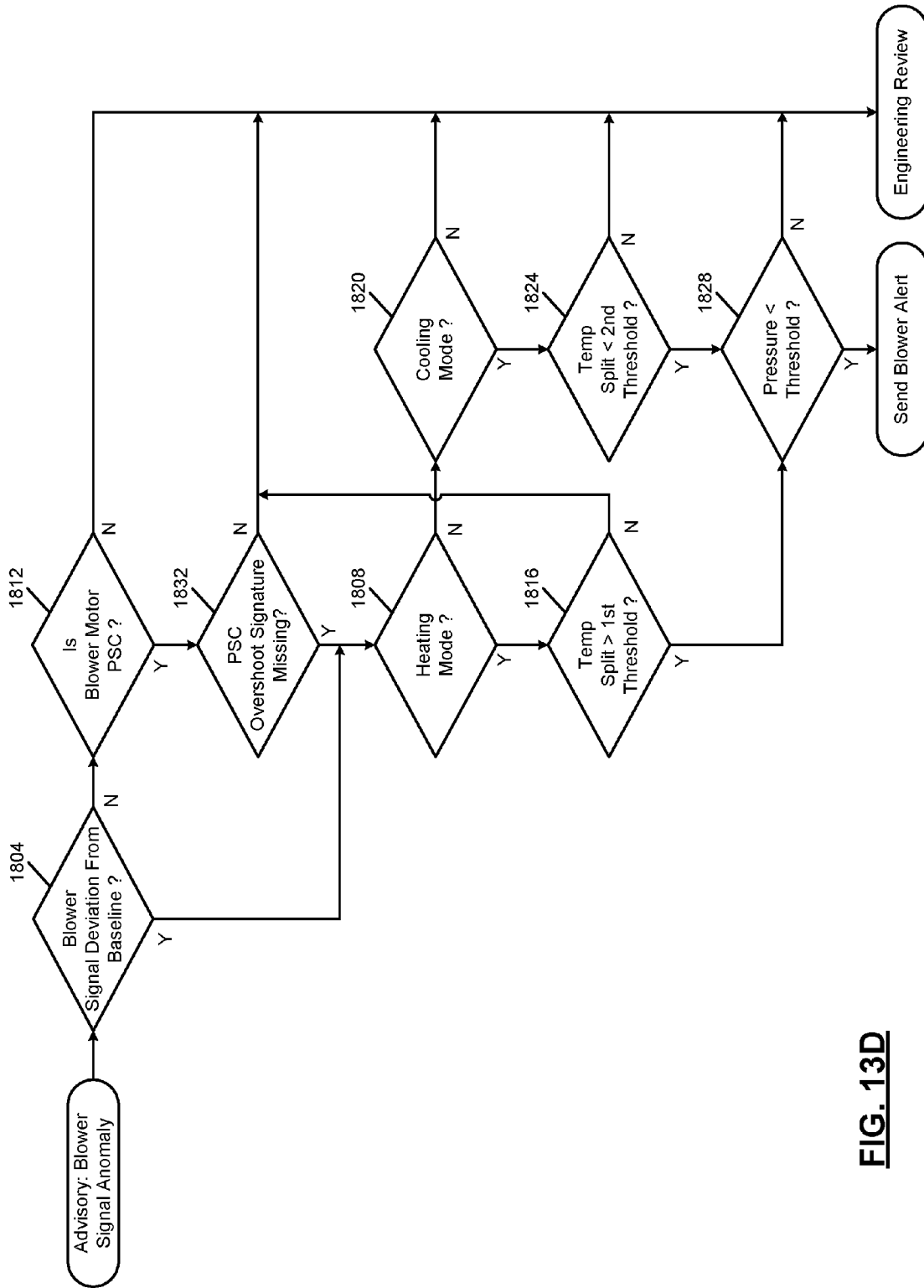


FIG. 13D

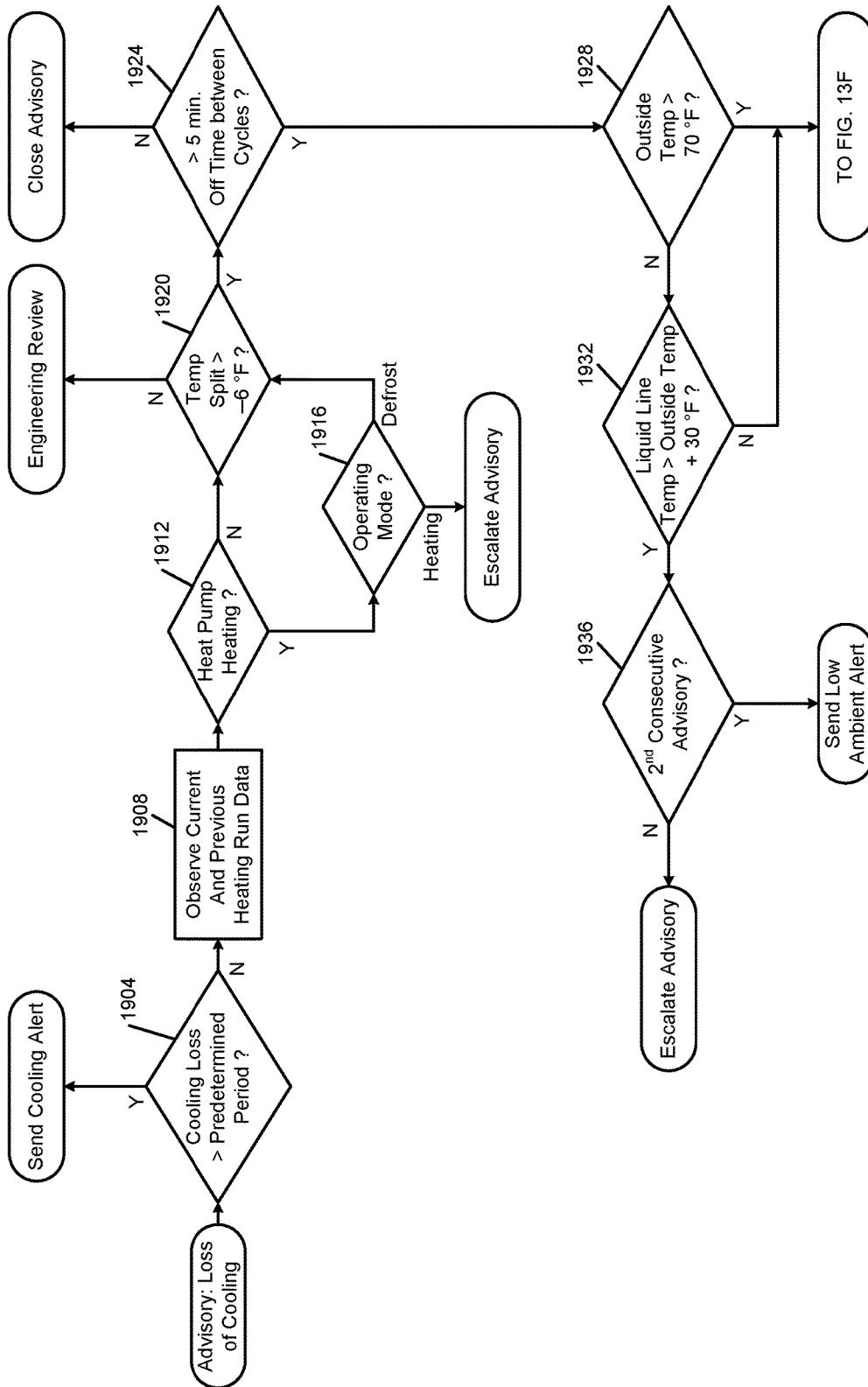


FIG. 13E

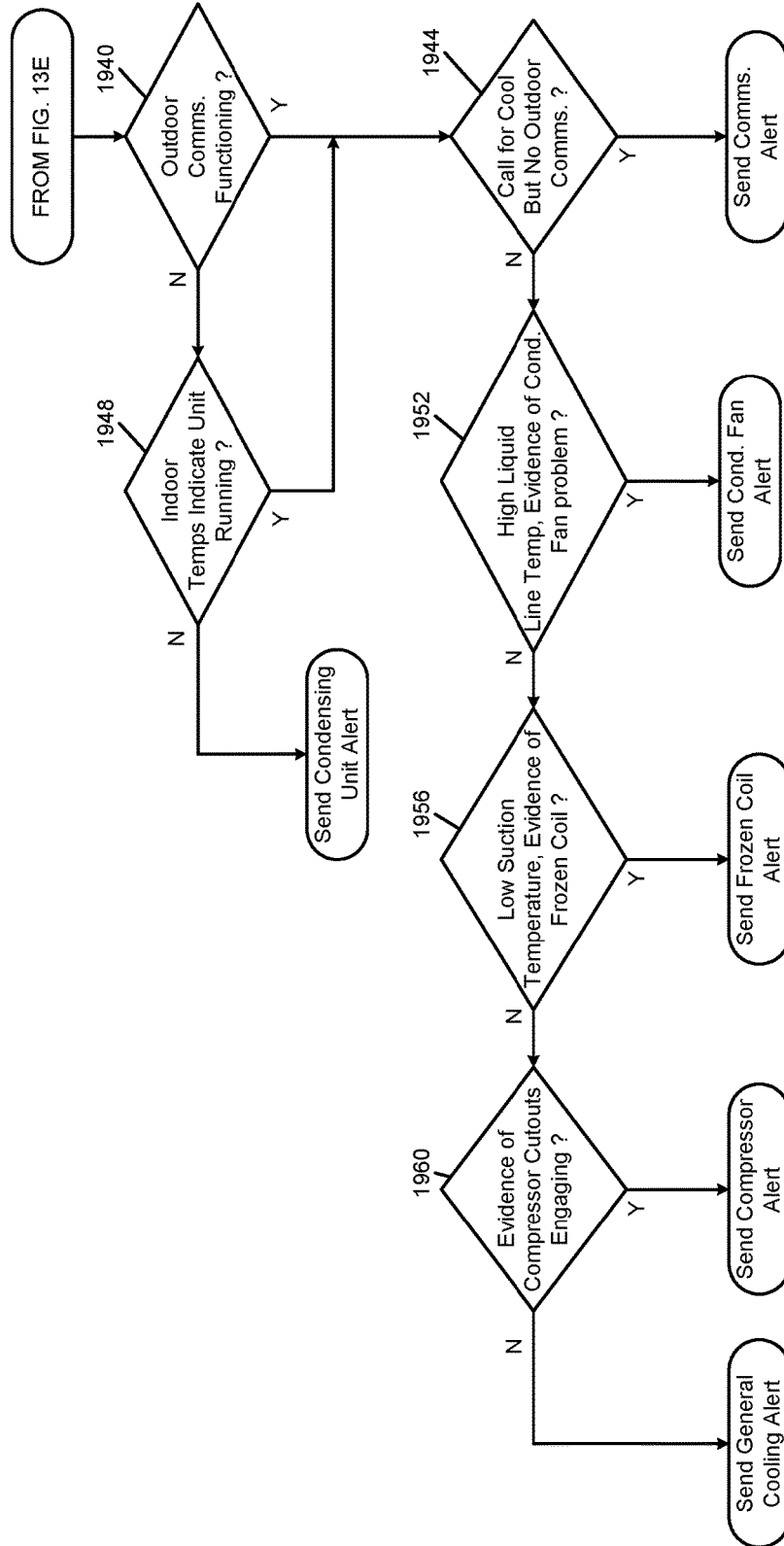


FIG. 13F

HVAC SYSTEM REMOTE MONITORING AND DIAGNOSIS

CROSS-REFERENCE TO RELATED APPLICATIONS

This application is a continuation of U.S. patent application Ser. No. 14/212,632 (now U.S. Pat. No. 9,638,436) filed on Mar. 14, 2014, which claims the benefit of U.S. Provisional Application No. 61/800,636 filed on Mar. 15, 2013 and U.S. Provisional Application No. 61/809,222 filed on Apr. 5, 2013. The entire disclosures of the above applications are incorporated herein by reference.

FIELD

The present disclosure relates to environmental comfort systems and more particularly to remote monitoring and diagnosis of residential and light commercial environmental comfort systems.

BACKGROUND

The background description provided herein is for the purpose of generally presenting the context of the disclosure. Work of the presently named inventors, to the extent it is described in this background section, as well as aspects of the description that may not otherwise qualify as prior art at the time of filing, are neither expressly nor impliedly admitted as prior art against the present disclosure.

A residential or light commercial HVAC (heating, ventilation, or air conditioning) system controls environmental parameters, such as temperature and humidity, of a residence. The HVAC system may include, but is not limited to, components that provide heating, cooling, humidification, and dehumidification. The target values for the environmental parameters, such as a temperature set point, may be specified by a homeowner.

In FIG. 1, a block diagram of an example HVAC system is presented. In this particular example, a forced air system with a gas furnace is shown. Return air is pulled from the residence through a filter **110** by a circulator blower **114**. The circulator blower **114**, also referred to as a fan, is controlled by a control module **118**. The control module **118** receives signals from a thermostat **122**. For example only, the thermostat **122** may include one or more temperature set points specified by the homeowner.

The thermostat **122** may direct that the circulator blower **114** be turned on at all times or only when a heat request or cool request is present. The circulator blower **114** may also be turned on at a scheduled time or on demand. In various implementations, the circulator blower **114** can operate at multiple speeds or at any speed within a predetermined range. One or more switching relays (not shown) may be used to control the circulator blower **114** and/or to select a speed of the circulator blower **114**.

The thermostat **122** also provides the heat and/or cool requests to the control module **118**. When a heat request is made, the control module **118** causes a burner **126** to ignite. Heat from combustion is introduced to the return air provided by the circulator blower **114** in a heat exchanger **130**. The heated air is supplied to the residence and is referred to as supply air.

The burner **126** may include a pilot light, which is a small constant flame for igniting the primary flame in the burner **126**. Alternatively, an intermittent pilot may be used in which a small flame is first lit prior to igniting the primary

flame in the burner **126**. A sparkler may be used for an intermittent pilot implementation or for direct burner ignition. Another ignition option includes a hot surface igniter, which heats a surface to a high enough temperature that when gas is introduced, the heated surface causes combustion to begin. Fuel for combustion, such as natural gas, may be provided by a gas valve **128**.

The products of combustion are exhausted outside of the residence, and an inducer blower **134** may be turned on prior to ignition of the burner **126**. The inducer blower **134** provides a draft to remove the products of combustion from the burner **126**. The inducer blower **134** may remain running while the burner **126** is operating. In addition, the inducer blower **134** may continue running for a set period of time after the burner **126** turns off. In a high efficiency furnace, the products of combustion may not be hot enough to have sufficient buoyancy to exhaust via conduction. Therefore, the inducer blower **134** creates a draft to exhaust the products of combustion.

A single enclosure, which will be referred to as an air handler unit **208**, may include the filter **110**, the circulator blower **114**, the control module **118**, the burner **126**, the heat exchanger **130**, the inducer blower **134**, an expansion valve **188**, an evaporator **192**, and a condensate pan **196**.

In the HVAC system of FIG. 1, a split air conditioning system is also shown. Refrigerant is circulated through a compressor **180**, a condenser **184**, the expansion valve **188**, and the evaporator **192**. The evaporator **192** is placed in series with the supply air so that when cooling is desired, the evaporator removes heat from the supply air, thereby cooling the supply air. During cooling, the evaporator **192** is cold, which causes water vapor to condense. This water vapor is collected in the condensate pan **196**, which drains or is pumped out.

A control module **200** receives a cool request from the control module **118** and controls the compressor **180** accordingly. The control module **200** also controls a condenser fan **204**, which increases heat exchange between the condenser **184** and outside air. In such a split system, the compressor **180**, the condenser **184**, the control module **200**, and the condenser fan **204** are located outside of the residence, often in a single condensing unit **212**.

In various implementations, the control module **200** may simply include a run capacitor, a start capacitor, and a contactor or relay. In fact, in certain implementations, the start capacitor may be omitted, such as when a scroll compressor instead of a reciprocating compressor is being used. The compressor **180** may be a variable capacity compressor and may respond to a multiple-level cool request. For example, the cool request may indicate a mid-capacity call for cool or a high-capacity call for cool.

The electrical lines provided to the condensing unit **212** may include a 240 volt mains power line and a 24 volt switched control line. The 24 volt control line may correspond to the cool request shown in FIG. 1. The 24 volt control line controls operation of the contactor. When the control line indicates that the compressor should be on, the contactor contacts close, connecting the 240 volt power supply to the compressor **180**. In addition, the contactor may connect the 240 volt power supply to the condenser fan **204**. In various implementations, such as when the condensing unit **212** is located in the ground as part of a geothermal system, the condenser fan **204** may be omitted. When the 240 volt mains power supply arrives in two legs, as is common in the U.S., the contactor may have two sets of contacts, and is referred to as a double-pole single-throw switch.

Monitoring of operation of components in the condensing unit **212** and the air handler unit **208** has traditionally been performed by multiple discrete sensors, measuring current individually to each component. For example, a sensor may sense the current drawn by a motor, another sensor measures resistance or current flow of an igniter, and yet another sensor monitors a state of a gas valve. However, the cost of these sensors and the time required for installation has made monitoring cost prohibitive.

SUMMARY

A monitoring system for a heating, ventilation, and air conditioning (HVAC) system of a building includes a monitoring device installed at the building, a monitoring server located remotely from the building, and a review server. The monitoring device measures an aggregate current supplied to a plurality of components of the HVAC system and transmits current data based on the measured aggregate current. The monitoring server receives the transmitted current data and, based on the received current data, assesses whether a failure has occurred in a first component of the plurality of components of the HVAC system and assesses whether a failure has occurred in a second component of the plurality of components of the HVAC system. The monitoring server generates a first advisory in response to determining that the failure has occurred in the first component. The review server provides the first advisory to a technician for review. In response to the technician verifying that the failure has occurred in the first component, the review server transmits a first alert.

In other features, the monitoring server (i) selectively predicts an impending failure of the first component based on the received current data and (ii) generates a second advisory in response to the prediction of impending failure of the first component. The monitoring server (i) selectively predicts an impending failure of the second component based on the received current data and (ii) generates a third advisory in response to the prediction of impending failure of the second component.

In other features, the review server transmits the first alert to at least one of a customer and a contractor. The review server transmits the first alert to the contractor regardless of a first piece of data, and only selectively transmits the first alert to the customer based on the first piece of data. A second advisory is generated in response to the monitoring server determining that the failure has occurred in the second component. The review server provides the second advisory to one of a plurality of technicians for review. The plurality of technicians includes the technician. The review server, in response to the technician verifying that the failure has occurred in the second component, transmits a second alert.

In other features, the monitoring device samples the aggregate current over a time period, performs a frequency domain analysis on the samples over the time period, and transmits frequency domain data to the monitoring server. The monitoring server identifies transition points in the current data and analyzes the frequency domain data around the identified transition points. The monitoring server determines whether the failure has occurred in the first component by comparing the frequency domain data to baseline data. The monitoring device records control signals from a thermostat and transmits information based on the control signals to the monitoring server.

In other features, a second monitoring device is located in close proximity to a second enclosure of the HVAC system.

The second enclosure includes at least one of a compressor and a heat pump heat exchanger. The second monitoring device (i) measures an aggregate current supplied to a plurality of components of the second enclosure and (ii) transmits second current data based on the measured aggregate current to the monitoring device. The monitoring device transmits the second current data to the monitoring server.

In other features, the plurality of components of the HVAC system includes at least two components selected from: a flame sensor, a solenoid-operated gas valve, a hot surface igniter, a circulator blower motor, an inducer blower motor, a compressor, a pressure switch, a capacitor, an air filter, a condensing coil, an evaporating coil, and a contactor.

A method of monitoring a heating, ventilation, and air conditioning (HVAC) system of a building includes, using a monitoring device installed at the building, measuring an aggregate current supplied to a plurality of components of the HVAC system. The method further includes transmitting current data based on the measured aggregate current to a monitoring server located remotely from the building. The method further includes, at the monitoring server, assessing whether a failure has occurred in a first component of the plurality of components of the HVAC system based on current data received from the monitoring device. The method further includes, at the monitoring server, assessing whether a failure has occurred in a second component of the plurality of components of the HVAC system. The method further includes generating a first advisory in response to determining that the failure has occurred in the first component. The method further includes providing the first advisory to a technician for review. The method further includes, in response to the technician verifying that the failure has occurred in the first component, transmitting a first alert.

In other features, the method further includes selectively predicting an impending failure of the first component based on the received current data, and generating a second advisory in response to the prediction of impending failure of the first component. The method further includes selectively predicting an impending failure of the second component based on the received current data, and generating a third advisory in response to the prediction of impending failure of the second component.

In other features, the first alert is transmitted to at least one of a customer and a contractor. The first alert is transmitted to the contractor regardless of a first piece of data, and only selectively transmitted to the customer based on the first piece of data. The method further includes generating a second advisory in response to determining that the failure has occurred in the second component, providing the second advisory to one of a plurality of technicians for review, wherein the plurality of technicians includes the technician, and in response to the technician verifying that the failure has occurred in the second component, transmitting a second alert.

In other features, the method further includes sampling the aggregate current over a time period, performing a frequency domain analysis on the samples over the time period, and transmitting frequency domain data to the monitoring server. The method further includes identifying transition points in the current data, and analyzing the frequency domain data around the identified transition points. The method further includes determining whether the failure has occurred in the first component by comparing the frequency domain data to baseline data. The method further includes

recording control signals from a thermostat, and transmitting information based on the control signals to the monitoring server.

In other features, the method further includes, at a second monitoring device located in close proximity to a second enclosure of the HVAC system, measuring an aggregate current supplied to a plurality of components of the second enclosure, wherein the second enclosure includes at least one of a compressor and a heat pump heat exchanger. The method further includes transmitting second current data based on the measured aggregate current from the second monitoring device to the monitoring device. The method further includes transmitting the second current data to the monitoring server. The plurality of components of the HVAC system includes at least two components selected from: a flame sensor, a solenoid-operated gas valve, a hot surface igniter, a circulator blower motor, an inducer blower motor, a compressor, a pressure switch, a capacitor, an air filter, a condensing coil, an evaporating coil, and a contactor.

BRIEF DESCRIPTION OF THE DRAWINGS

The present disclosure will become more fully understood from the detailed description and the accompanying drawings, wherein:

FIG. 1 is a block diagram of an example HVAC system according to the prior art;

FIG. 2 is a functional block diagram of an example monitoring system showing an HVAC system of a single building;

FIGS. 3A-3C are functional block diagrams of control signal interaction with an air handler monitor module;

FIG. 4A is a functional block diagram of an example implementation of an air handler monitor module;

FIG. 4B is a functional block diagram of an example implementation of a condensing monitor module;

FIG. 5A is a functional block diagram of an example system including an implementation of an air handler monitor module;

FIG. 5B is a functional block diagram of an example system including an implementation of a condensing monitor module;

FIG. 5C is a high level functional block diagram of an example system including an implementation of a remote monitoring system;

FIG. 5D is a functional block diagram of another example system including an implementation of an air handler monitor module;

FIGS. 6A and 6B are flowcharts depicting brief overviews of example installation procedures in retrofit applications;

FIG. 7 is a flowchart of example operation in capturing frames of data;

FIG. 8 is an example functional schematic of example HVAC components;

FIG. 9 is an example time domain trace of aggregate current for a beginning of a heat cycle;

FIGS. 10A-10C are example illustrations of graphical displays presented to a customer;

FIG. 11 is an example implementation of cloud processing of captured data;

FIGS. 12A-12Q are tables of inputs used in detecting and/or predicting faults according to the principles of the present disclosure; and

FIGS. 13A-13F are flowcharts of example operation of triage processes for selected advisories.

In the drawings, reference numbers may be reused to identify similar and/or identical elements.

DETAILED DESCRIPTION

According to the present disclosure, sensing/monitoring modules can be integrated with a residential or light commercial HVAC (heating, ventilation, or air conditioning) system. As used in this application, the term HVAC can encompass all environmental comfort systems in a building, including heating, cooling, humidifying, and dehumidifying, and covers devices such as furnaces, heat pumps, humidifiers, dehumidifiers, and air conditioners. The term HVAC is a broad term, in that an HVAC system according to this application does not necessarily include both heating and air conditioning, and may instead have only one or the other.

In split HVAC systems with an air handler unit (often, indoors) and a condensing unit (often, outdoors), an air handler monitor module and a condensing monitor module, respectively, can be used. The air handler monitor module and the condensing monitor module may be integrated by the manufacturer of the HVAC system, may be added at the time of the installation of the HVAC system, and/or may be retrofitted to an existing system.

The air handler monitor and condensing monitor modules monitor operating parameters of associated components of the HVAC system. For example, the operating parameters may include power supply current, power supply voltage, operating and ambient temperatures, fault signals, and control signals. The air handler monitor and condensing monitor modules may communicate data between each other, while one or both of the air handler monitor and condensing monitor modules uploads data to a remote location. The remote location may be accessible via any suitable network, including the Internet.

The remote location includes one or more computers, which will be referred to as servers. The servers execute a monitoring system on behalf of a monitoring company. The monitoring system receives and processes the data from the air handler monitor and condensing monitor modules of customers who have such systems installed. The monitoring system can provide performance information, diagnostic alerts, and error messages to a customer and/or third parties, such as a designated HVAC contractor.

The air handler monitor and condensing monitor modules may each sense an aggregate current for the respective unit without measuring individual currents of individual components. The aggregate current data may be processed using frequency domain analysis, statistical analysis, and state machine analysis to determine operation of individual components based on the aggregate current data. This processing may happen partially or entirely in a server environment, remote from the customer's building or residence.

Based on measurements from the air handler monitor and condensing monitor modules, the monitoring company can determine whether HVAC components are operating at their peak performance and can advise the customer and the contractor when performance is reduced. This performance reduction may be measured for the system as a whole, such as in terms of efficiency, and/or may be monitored for one or more individual components.

In addition, the monitoring system may detect and/or predict failures of one or more components of the system. When a failure is detected, the customer can be notified and potential remediation steps can be taken immediately. For example, components of the HVAC system may be shut down to prevent or minimize damage, such as water dam-

age, to HVAC components. The contractor can also be notified that a service call will be required. Depending on the contractual relationship between the customer and the contractor, the contractor may immediately schedule a service call to the building.

The monitoring system may provide specific information to the contractor, including identifying information of the customer's HVAC system, including make and model numbers, as well as indications of the specific part numbers that appear to be failing. Based on this information, the contractor can allocate the correct repair personnel that have experience with the specific HVAC system and/or component. In addition, the service technician is able to bring replacement parts, avoiding return trips after diagnosis.

Depending on the severity of the failure, the customer and/or contractor may be advised of relevant factors in determining whether to repair the HVAC system or replace some or all of the components of the HVAC system. For example only, these factors may include relative costs of repair versus replacement, and may include quantitative or qualitative information about advantages of replacement equipment. For example, expected increases in efficiency and/or comfort with new equipment may be provided. Based on historical usage data and/or electricity or other commodity prices, the comparison may also estimate annual savings resulting from the efficiency improvement.

As mentioned above, the monitoring system may also predict impending failures. This allows for preventative maintenance and repair prior to an actual failure. Alerts regarding detected or impending failures reduce the time when the HVAC system is out of operation and allows for more flexible scheduling for both the customer and contractor. If the customer is out of town, these alerts may prevent damage from occurring when the customer is not present to detect the failure of the HVAC system. For example, failure of heat in winter may lead to pipes freezing and bursting.

Alerts regarding potential or impending failures may specify statistical timeframes before the failure is expected. For example only, if a sensor is intermittently providing bad data, the monitoring system may specify an expected amount of time before it is likely that the sensor effectively stops working due to the prevalence of bad data. Further, the monitoring system may explain, in quantitative or qualitative terms, how the current operation and/or the potential failure will affect operation of the HVAC system. This enables the customer to prioritize and budget for repairs.

For the monitoring service, the monitoring company may charge a periodic rate, such as a monthly rate. This charge may be billed directly to the customer and/or may be billed to the contractor. The contractor may pass along these charges to the customer and/or may make other arrangements, such as by requiring an up-front payment upon installation and/or applying surcharges to repairs and service visits.

For the air handler monitor and condensing monitor modules, the monitoring company or contractor may charge the customer the equipment cost, including the installation cost, at the time of installation and/or may recoup these costs as part of the monthly fee. Alternatively, rental fees may be charged for the air handler monitor and condensing monitor modules, and once the monitoring service is stopped, the air handler monitor and condensing monitor modules may be returned.

The monitoring service may allow the customer and/or contractor to remotely monitor and/or control HVAC components, such as setting temperature, enabling or disabling heating and/or cooling, etc. In addition, the customer may be

able to track energy usage, cycling times of the HVAC system, and/or historical data. Efficiency and/or operating costs of the customer's HVAC system may be compared against HVAC systems of neighbors, whose buildings will be subject to the same or similar environmental conditions. This allows for direct comparison of HVAC system and overall building efficiency because environmental variables, such as temperature and wind, are controlled.

The monitoring system can be used by the contractor during and after installation and during and after repair (i) to verify operation of the air handler monitor and condensing monitor modules, as well as (ii) to verify correct installation of the components of the HVAC system. In addition, the customer may review this data in the monitoring system for assurance that the contractor correctly installed and configured the HVAC system. In addition to being uploaded to the remote monitoring service (also referred to as the cloud), monitored data may be transmitted to a local device in the building. For example, a smartphone, laptop, or proprietary portable device may receive monitoring information to diagnose problems and receive real-time performance data. Alternatively, data may be uploaded to the cloud and then downloaded onto a local computing device, such as via the Internet from an interactive web site.

The historical data collected by the monitoring system may allow the contractor to properly specify new HVAC components and to better tune configuration, including dampers and set points of the HVAC system. The information collected may be helpful in product development and assessing failure modes. The information may be relevant to warranty concerns, such as determining whether a particular problem is covered by a warranty. Further, the information may help to identify conditions, such as unauthorized system modifications, that could potentially void warranty coverage.

Original equipment manufacturers may subsidize partially or fully the cost of the monitoring system and air handler and condensing monitor modules in return for access to this information. Installation and service contractors may also subsidize some or all of these costs in return for access to this information, and for example, in exchange for being recommended by the monitoring system. Based on historical service data and customer feedback, the monitoring system may provide contractor recommendations to customers.

In FIG. 2, a functional block diagram of an example system installed in a building 300 is presented. In various implementations, the building may be a single-family residence, and the customer is the homeowner, or a lessee or renter. The building 300 includes, for example only, a split system with an air handler unit 304 and a condensing unit 308. The condensing unit 308 includes a compressor, a condenser, a condenser fan, and associated electronics, represented collectively in FIG. 2 as compressor/condenser 312. In many systems, the air handler unit 304 is located inside the building 300, while the condensing unit 308 is located outside the building 300.

The present disclosure is not limited, and applies to other systems including, as examples only, systems where the components of the air handler unit 304 and the condensing unit 308 are located in close proximity to each other or even in a single enclosure. The single enclosure may be located inside or outside of the building 300. In various implementations, the air handler unit 304 may be located in a basement, garage, or attic. In ground source systems, where heat is exchanged with the earth, the air handler unit 304 and the condensing unit 308 may be located near the earth, such

as in a basement, crawlspace, garage, or on the first floor, such as when the first floor is separated from the earth by only a concrete slab.

According to the principles of the present disclosure, a condensing monitor module **316** is located within or in close proximity to the condensing unit **308**. The condensing monitor module **316** monitors parameters of the condensing unit **308** including current, voltage, and temperatures.

In one implementation, the current measured is a single power supply current that represents the aggregate current draw of the entire condensing unit **308** from an electrical panel **318**. A current sensor **320** measures the current supplied to the condensing unit **308** and provides measured data to the condensing monitor module **316**. For example only, the condensing unit **308** may receive an AC line voltage of approximately 240 volts. The current sensor **320** may sense current of one of the legs of the 240 volt power supply. A voltage sensor (not shown) may sense the voltage of one or both of the legs of the AC voltage supply. The current sensor **320** may include a current transformer, a current shunt, and/or a hall effect device. In various implementations, a power sensor may be used in addition to or in place of the current sensor **320**. Current may be calculated based on the measured power, or profiles of the power itself may be used to evaluate operation of components of the condensing unit **308**.

An air handler monitor module **322** monitors the air handler unit **304**. For example, the air handler monitor module **322** may monitor current, voltage, and various temperatures. In one implementation, the air handler monitor module **322** monitors an aggregate current drawn by the entire air handler unit **304**. When the air handler unit **304** provides power to an HVAC control module **360**, the aggregate current includes current drawn by the HVAC control module **360**. A current sensor **324** measures current delivered to the air handler unit **304** by the electrical panel **318**. The current sensor **324** may be similar to the current sensor **320**. Voltage sensors (not shown) may be located near the current sensors **324** and **320**. The voltage sensors provide voltage data to the air handler unit **304** and the condensing unit **308**.

The air handler monitor module **322** and the condensing monitor module **316** may evaluate the voltage to determine various parameters. For example, frequency, amplitude, RMS voltage, and DC offset may be calculated based on the measured voltage. In situations where 3-phase power is used, the order of the phases may be determined. Information about when the voltage crosses zero may be used to synchronize various measurements and to determine frequency based on counting the number of zero crossings within a predetermined time period.

The air handler unit **304** includes a blower, a burner, and an evaporator. In various implementations, the air handler unit **304** includes an electrical heating device instead of or in addition to the burner. The electrical heating device may provide backup or secondary heat. The condensing monitor module **316** and the air handler monitor module **322** share collected data with each other. When the current measured is the aggregate current draw, in either the air handler monitor module **322** or the condensing monitor module **316**, contributions to the current profile are made by each component. It may be difficult, therefore, to easily determine in the time domain how the measured current corresponds to individual components. However, when additional processing is available, such as in a monitoring system, which may

include server and other computing resources, additional analysis, such as frequency domain analysis, can be performed.

The frequency domain analysis may allow individual contributions of HVAC system components to be determined. Some of the advantages of using an aggregate current measurement may include reducing the number of current sensors that would otherwise be necessary to monitor each of the HVAC system components. This reduces bill of materials costs, as well as installation costs and potential installation problems. Further, providing a single time domain current stream may reduce the amount of bandwidth necessary to upload the current data. Nevertheless, the present disclosure could also be used with additional current sensors.

Further, although not shown in the figures, additional sensors, such as pressure sensors, may be included and connected to the air handler monitor module **322** and/or the condensing monitor module **316**. The pressure sensors may be associated with return air pressure or supply air pressure, and/or with pressures at locations within the refrigerant loop. Air flow sensors may measure mass air flow of the supply air and/or the return air. Humidity sensors may measure relative humidity of the supply air and/or the return air, and may also measure ambient humidity inside or outside the building **300**.

In various implementations, the principles of the present disclosure may be applied to monitoring other systems, such as a hot water heater, a boiler heating system, a refrigerator, a refrigeration case, a pool heater, a pool pump/filter, etc. As an example, the hot water heater may include an igniter, a gas valve (which may be operated by a solenoid), an igniter, an inducer blower, and a pump. Aggregate current readings can be analyzed by the monitoring company to assess operation of the individual components of the hot water heater. Aggregate loads, such as the hot water heater or the air handler unit **304**, may be connected to an AC power source via a smart outlet, a smart plug, or a high amp load control switch, each of which may provide an indication when a connected device is activated.

In one implementation, which is shown in FIG. 2, the condensing monitor module **316** provides data to the air handler monitor module **322**, and the air handler monitor module **322** provides data from both the air handler monitor module **322** and the condensing monitor module **316** to a remote monitoring system **330**. The monitoring system **330** is reachable via a distributed network such as the Internet **334**. Alternatively, any other suitable network, such as a wireless mesh network or a proprietary network, may be used.

In various other implementations, the condensing monitor module **316** may transmit data from the air handler monitor module **322** and the condensing monitor module **316** to an external wireless receiver. The external wireless receiver may be a proprietary receiver for a neighborhood in which the building **300** is located, or may be an infrastructure receiver, such as a metropolitan area network (such as WiMAX), a WiFi access point, or a mobile phone base station.

In the implementation of FIG. 2, the air handler monitor module **322** relays data between the condensing monitor module **316** and the monitoring system **330**. For example, the air handler monitor module **322** may access the Internet **334** using a router **338** of the customer. The customer router **338** may already be present to provide Internet access to other devices within the building **300**, such as a customer

computer **342** and/or various other devices having Internet connectivity, such as a DVR (digital video recorder) or a video gaming system.

The air handler monitor module **322** may communicate with the customer router **338** via a gateway **346**. The gateway **346** translates information received from the air handler monitor module **322** into TCP/IP (Transmission Control Protocol/Internet Protocol) packets and vice versa. The gateway **346** then forwards those packets to the customer router **338**. The gateway **346** may connect to the customer router **338** using a wired or wireless connection. The air handler monitor module **322** may communicate with the gateway **346** using a wired or wireless connection. For example, the interface between the gateway **346** and the customer router **338** may be Ethernet (IEEE 802.3) or WiFi (IEEE 802.11).

The interface between the air handler monitor module **322** and the gateway **346** may include a wireless protocol, such as Bluetooth, ZigBee (IEEE 802.15.4), 900 Megahertz, 2.4 Gigahertz, WiFi (IEEE 802.11), and other proprietary or standardized protocols. The air handler monitor module **322** may communicate with the condensing monitor module **316** using wired or wireless protocols. For example only, the air handler monitor module **322** and the condensing monitor module **316** may communicate using power line communications, which may be sent over a line voltage (such as 240 volts) or a stepped-down voltage, such as 24 volts, or a dedicated communications line.

The air handler monitor module **322** and the condensing monitor module **316** may transmit data within frames conforming to the ClimateTalk™ standard, which may include the ClimateTalk Alliance HVAC Application Profile v1.1, released Jun. 23, 2011, the ClimateTalk Alliance Generic Application Profile, v1.1, released Jun. 23, 2011, and the ClimateTalk Alliance Application Specification, v1.1, released Jun. 23, 2011, the entire disclosures of which are hereby incorporated by reference. In various implementations, the gateway **346** may encapsulate ClimateTalk™ frames into IP packets, which are transmitted to the monitoring system **330**. The monitoring system **330** then extracts the ClimateTalk™ frames and parses the data contained within the ClimateTalk™ frames. The monitoring system **330** may send return information, including monitoring control signals and/or HVAC control signals, using ClimateTalk™.

The wireless communications described in the present disclosure can be conducted in full or partial compliance with IEEE standard 802.11-2012, IEEE standard 802.16-2009, IEEE standard 802.20-2008, and/or Bluetooth Core Specification v4.0. In various implementations, Bluetooth Core Specification v4.0 may be modified by one or more of Bluetooth Core Specification Addendums 2, 3, or 4. In various implementations, IEEE 802.11-2012 may be supplemented by draft IEEE standard 802.11ac, draft IEEE standard 802.11ad, and/or draft IEEE standard 802.11ah. In addition, other proprietary or standardized wireless or wired protocol may be used between monitor modules, gateways, routers, and/or access points.

For example, the interface between the gateway **346** and the customer router **338** may be Ethernet (IEEE 802.3) or WiFi (IEEE 802.11). The interface between the air handler monitor module **322** and the gateway **346** may include a wireless protocol, such as Bluetooth, ZigBee (IEEE 802.15.4), 900 Megahertz, 2.4 Gigahertz, WiFi (IEEE 802.11), and other proprietary or standardized protocols.

The HVAC control module **360** controls operation of the air handler unit **304** and the condensing unit **308**. The HVAC

control module **360** may operate based on control signals from a thermostat **364**. The thermostat **364** may transmit requests for fan, heat, and cool to the HVAC control module **360**. One or more of the control signals may be intercepted by the air handler monitor module **322**. Various implementations of interaction between the control signals and the air handler monitor module **322** are shown below in FIGS. 3A-3C.

Additional control signals may be present in various HVAC systems. For example only, a heat pump may include additional control signals, such as a control signal for a reversing valve (not shown). The reversing valve selectively reverses the flow of refrigerant from what is shown in the figures depending on whether the system is heating the building or cooling the building. Further, when the flow of refrigerant is reversed, the roles of the evaporator and condenser are reversed—i.e., refrigerant evaporation occurs in what is labeled the condenser while refrigerant condensation occurs in what is labeled as the evaporator.

The thermostat **364** and/or the HVAC control module **360** may include control signals for secondary heating and/or secondary cooling, which may be activated when the primary heating or primary cooling is insufficient. In dual fuel systems, such as systems operating from either electricity or natural gas, control signals related to the selection of the fuel may be monitored. Further, additional status and error signals may be monitored, such as a defrost status signal, which may be asserted when the compressor is shut off and a defrost heater operates to melt frost from an evaporator.

In various implementations, the thermostat **364** may use the gateway **346** to communicate with the Internet **334**. In one implementation, the thermostat **364** does not communicate directly with the air handler monitor module **322** or the condensing monitor module **316**. Instead, the thermostat **364** communicates with the monitoring system **330**, which may then provide information or control signals to the air handler monitor module **322** and/or the condensing monitor module **316** based on information from the thermostat **364**. Using the monitoring system **330**, the customer or contractor may send signals to the thermostat **364** to manually enable heating or cooling (regardless of current temperature settings), or to change set points, such as desired instant temperature and temperature schedules. In addition, information from the thermostat **364**, such as current temperature and historical temperature trends, may be viewed.

The monitoring system **330** may provide alerts for situations such as detected or predicted failures to the customer computer **342** and/or to any other electronic device of the customer. For example, the monitoring system **330** may provide an alert to a mobile device **368** of the customer, such as a mobile phone or a tablet. The alerts are shown in FIG. 2 with dashed lines indicating that the alerts may not travel directly to the customer computer **342** or the customer mobile device **368** but may traverse, for example, the Internet **334** and/or a mobile provider network (not shown). The alerts may take any suitable form, including text messages, emails, social networking messages, voicemails, phone calls, etc.

The monitoring system **330** also interacts with a contractor device **372**. The contractor device **372** may then interface with mobile devices carried by individual contractors. Alternatively, the monitoring system **330** may directly provide alerts to predetermined mobile devices of the contractor. In the event of an impending or detected failure, the monitoring system **330** may provide information regarding identifica-

tion of the customer, identification of the HVAC system, the part or parts related to the failure, and/or the skills required to perform the maintenance.

In various implementations, the monitoring system 330 may transmit a unique identifier of the customer or the building to the contractor device 372. The contractor device 372 may include a database indexed by the unique identifier, which stores information about the customer including the customer's address, contractual information such as service agreements, and detailed information about the installed HVAC equipment.

The air handler monitor module 322 and the condensing monitor module 316 may receive respective sensor signals, such as water sensor signals. For example, the air handler monitor module 322 may receive signals from a float switch 376, a condensate sensor 380, and a conduction sensor 384. The condensate sensor 380 may include a device as described in commonly assigned patent application Ser. No. 13/162,798, filed Jun. 17, 2011, titled Condensate Liquid Level Sensor and Drain Fitting, the entire disclosure of which is hereby incorporated by reference.

Where the air handler unit 304 is performing air conditioning, condensation occurs and is captured in a condensate pan. The condensate pan drains, often via a hose, into a floor drain or a condensate pump, which pumps the condensate to a suitable drain. The condensate sensor 380 detects whether the drain hose has been plugged, a condition which will eventually cause the condensate pan to overflow, potentially causing damage to the HVAC system and to surrounding portions of the building 300.

The air handler unit 304 may be located on a catch pan, especially in situations where the air handler unit 304 is located above living space of the building 300. The catch pan may include the float switch 376. When enough liquid accumulates in the catch pan, the float switch 376 provides an over-level signal to the air handler monitor module 322.

The conduction sensor 384 may be located on the floor or other surface where the air handler unit 304 is located. The conduction sensor 384 may sense water leaks that are for one reason or another not detected by the float switch 376 or the condensate sensor 380, including leaks from other systems such as a hot water heater.

In FIG. 3A, an example of control signal interaction with the air handler monitor module 322 is presented. In this example, the air handler monitor module 322 taps into the fan and heat request signals. For example only, the HVAC control module 360 may include terminal blocks where the fan and heat signals are received. These terminal blocks may include additional connections where leads can be attached between these additional connections and the air handler monitor module 322.

Alternatively, leads from the air handler monitor module 322 may be attached to the same location as the fan and heat signals, such as by putting multiple spade lugs underneath a signal screw head. The cool signal from the thermostat 364 may be disconnected from the HVAC control module 360 and attached to the air handler monitor module 322. The air handler monitor module 322 then provides a switched cool signal to the HVAC control module 360. This allows the air handler monitor module 322 to interrupt operation of the air conditioning system, such as upon detection of water by one of the water sensors. The air handler monitor module 322 may also interrupt operation of the air conditioning system based on information from the condensing monitor module 316, such as detection of a locked rotor condition in the compressor.

In FIG. 3B, the fan, heat, and cool signals are connected to the air handler monitor module 322 instead of to the HVAC control module 360. The air handler monitor module 322 then provides fan, heat, and switched cool signals to the HVAC control module 360. In various other implementations, the air handler monitor module 322 may also switch the fan and/or heat signals.

In FIG. 3C, a thermostat 400 may use a proprietary or digital form of communication instead of discrete request lines such as those used by the thermostat 364. Especially in installations where the thermostat 400 is added after the HVAC control module 360 has been installed, an adapter 404 may translate the proprietary signals into individual fan, heat, and cool request signals. The air handler monitor module 322 can then be connected similarly to FIG. 3A (as shown) or FIG. 3B.

In FIG. 4A, a functional block diagram of an example implementation of the air handler monitor module 322 is presented. A control line monitor module 504 receives the fan, heat, and cool request signals. A compressor interrupt module 508 also receives the cool request signal. Based on a disable signal, the compressor interrupt module 508 deactivates the switched cool signal. Otherwise, the compressor interrupt module 508 may pass the cool signal through as the switched cool signal.

The control line monitor module 504 may also receive additional control signals, depending on application, including second stage heat, second stage cool, reversing valve direction, defrost status signal, and dual fuel selection.

A wireless transceiver 512 communicates using an antenna 516 with a wireless host, such as a gateway 346, a mobile phone base station, or a WiFi (IEEE 802.11) or WiMax (IEEE 802.16) base station. A formatting module 520 forms data frames, such as ClimateTalk™ frames, including data acquired by the air handler monitor module 322. The formatting module 520 provides the data frames to the wireless transceiver 512 via a switching module 524.

The switching module 524 receives data frames from the monitoring system 330 via the wireless transceiver 512. Additionally or alternatively, the data frames may include control signals. The switching module 524 provides the data frames received from the wireless transceiver 512 to the formatting module 520. However, if the data frames are destined for the condensing monitor module 316, the switching module 524 may instead transmit those frames to a power-line communication module 528 for transmission to the condensing monitor module 316.

A power supply 532 provides power to some or all of the components of the air handler monitor module 322. The power supply 532 may be connected to line voltage, which may be single phase 120 volt AC power. Alternatively, the power supply 532 may be connected to a stepped-down voltage, such as a 24 volt power supply already present in the HVAC system. When the power received by the power supply 532 is also provided to the condensing monitor module 316, the power-line communication module 528 can communicate with the condensing monitor module 316 via the power supply 532. In other implementations, the power supply 532 may be distinct from the power-line communication module 528. The power-line communication module 528 may instead communicate with the condensing monitor module 316 using another connection, such as the switched cool signal (which may be a switched 24 volt line) provided to the condensing monitor module 316, another control line, a dedicated communications line, etc.

In various implementations, power to some components of the air handler monitor module 322 may be provided by

24 volt power from the thermostat **364**. For example only, the cool request from the thermostat **364** may provide power to the compressor interrupt module **508**. This may be possible when the compressor interrupt module **508** does not need to operate (and therefore does not need to be powered) unless the cool request is present, thereby powering the compressor interrupt module **508**.

Data frames from the condensing monitor module **316** are provided to the switching module **524**, which forwards those frames to the wireless transceiver **512** for transmission to the gateway **346**. In various implementations, data frames from the condensing monitor module **316** are not processed by the air handler monitor module **322** other than to forward the frames to the gateway **346**. In other implementations, the air handler monitor module **322** may combine data gathered by the air handler monitor module **322** with data gathered by the condensing monitor module **316** and transmit combined data frames.

In addition, the air handler monitor module **322** may perform data gathering or remedial operations based on the information from the condensing monitor module **316**. For example only, the condensing monitor module **316** may transmit a data frame to the air handler monitor module **322** indicating that the air handler monitor module **322** should monitor various inputs. For example only, the condensing monitor module **316** may signal that the compressor is about to start running or has started running. The air handler monitor module **322** may then monitor related information.

Therefore, the formatting module **520** may provide such a monitoring indication from the condensing monitor module **316** to a trigger module **536**. The trigger module **536** determines when to capture data, or if data is being continuously captured, which data to store, process, and/or forward. The trigger module **536** may also receive a signal from an error module **540**. The error module **540** may monitor an incoming current and generate an error signal when the current is greater than a predetermined threshold for greater than a predetermined amount of time.

The condensing monitor module **316** may be configured similarly to the air handler monitor module **322**. In the condensing monitor module **316**, a corresponding error module may determine that a high current level indicates a locked rotor condition of the compressor. For example only, a baseline run current may be stored, and a current threshold calculated by multiplying the baseline run current by a predetermined factor. The locked rotor condition may then be determined when a measurement of current exceeds the current threshold. This processing may occur locally because a quick response time to a locked rotor is beneficial.

The error module **540** may instruct the trigger module **536** to capture information to help diagnose this error and/or may send a signal to the compressor interrupt module **508** to disable the compressor. The disable signal received by the compressor interrupt module **508** may cause disabling of the compressor interrupt module **508** when either the error module **540** or the formatting module **520** indicates that the interruption is required. This logical operation is illustrated with an OR gate **542**.

The formatting module **520** may disable the compressor based on an instruction from the monitoring system **330** and/or the condensing monitor module **316**. For example, the monitoring system **330** may instruct the formatting module **520** to disable the compressor, or reduce the capacity or output (therefore power draw) of the compressor, based on a request by a utility company. For example, during peak load times, the utility company may request air conditioning

to be turned off in return for a discount on electricity prices. This shut off can be implemented via the monitoring system **330**.

A water monitoring module **544** may monitor the conduction sensor **384**, the float switch **376**, and the condensate sensor **380**. For example, when a resistivity of the conduction sensor **384** decreases below a certain value, which would happen in the presence of water, the water monitoring module **544** may signal to the error module **540** that water is present.

The water monitoring module **544** may also detect when the float switch **376** detects excessive water, which may be indicated by a closing or an opening of the float switch **376**. The water monitoring module **544** may also detect when resistivity of the condensate sensor **380** changes. In various implementations, detection of the condensate sensor **380** may not be armed until a baseline current reading is made, such as at the time when the air handler monitor module **322** is powered on. Once the condensate sensor **380** is armed, a change in current may be interpreted as an indication that a blockage has occurred. Based on any of these water signals, the water monitoring module **544** may signal to the error module **540** that the compressor should be disabled.

A temperature tracking module **548** tracks temperatures of one or more HVAC components. For example, the temperature tracking module **548** may monitor the temperature of supply air and of return air. The temperature tracking module **548** may provide average values of temperature to the formatting module **520**. For example only, the averages may be running averages. The filter coefficients of the running averages may be predetermined and may be modified by the monitoring system **330**.

The temperature tracking module **548** may monitor one or more temperatures related to the air conditioning system. For example, a liquid line provides refrigerant to an expansion valve of the air handler unit **304** from a condenser of the condensing unit **308**. A temperature may be measured along the refrigerant line before and/or after the expansion valve. The expansion valve may include, for example, a thermostatic expansion valve, a capillary tube, or an automatic expansion valve.

The temperature tracking module **548** may additionally or alternatively monitor one or more temperatures of an evaporator coil of the air handler unit **304**. The temperatures may be measured along the refrigerant line at or near the beginning of the evaporator coil, at or near an end of the evaporator coil, or at one or more midpoints. In various implementations, the placement of the temperature sensor may be dictated by physical accessibility of the evaporator coil. The temperature tracking module **548** may be informed of the location of the temperature sensor. Alternatively, data about temperature location may be stored as part of installation data, which may be available to the formatting module **520** and/or to the monitoring system **330**, which can use this information to accurately interpret the received temperature data.

A power calculation module **552** monitors voltage and current. In one implementation, these are the aggregate power supply voltage and the aggregate power supply current, which represents the total current consumed by all of the components of the air handler unit **304**. The power calculation module **552** may perform a point-by-point power calculation by multiplying the voltage and current. Point-by-point power values and/or an average value of the point-by-point power is provided to the formatting module **520**.

A current recording module **556** records values of the aggregate current over a period of time. The aggregate current may be sensed by a current sensor that is installed within the air handler unit **304** or along the electrical cable providing power to the air handler unit **304** (see current sensor **324** in FIG. 2). For example only, the current sensor may be located at a master switch that selectively supplies the incoming power to the air handler unit **304**. Alternatively, the current sensor may be located closer to, or inside of, an electrical distribution panel. The current sensor may be installed in line with one or more of the electrical wires feeding current from the electrical distribution panel to the air handler unit **304**.

The aggregate current includes current drawn by all energy-consuming components of the air handler unit **304**. For example only, the energy-consuming components can include a gas valve solenoid, an igniter, a circulator blower motor, an inducer blower motor, a secondary heat source, an expansion valve controller, a furnace control panel, a condensate pump, and a transformer, which may provide power to a thermostat. The energy-consuming components may also include the air handler monitor module **322** itself and the condensing monitor module **316**.

It may be difficult to isolate the current drawn by any individual energy-consuming component. Further, it may be difficult to quantify or remove distortion in the aggregate current, such as distortion that may be caused by fluctuations of the voltage level of incoming AC power. As a result, processing is applied to the current, which includes, for example only, filtering, statistical processing, and frequency domain processing.

In the implementation of FIG. 4A, the time domain series of currents from the current recording module **556** is provided to a fast Fourier transform (FFT) module **560**, which generates a frequency spectrum from the time domain current values. The length of time and the frequency bins used by the FFT module **560** may be configurable by the monitoring system **330**. The FFT module **560** may include, or be implemented by, a digital signal processor (DSP). In various implementations, the FFT module **560** may perform a discrete Fourier transform (DFT). The current recording module **556** may also provide raw current values, an average current value (such as an average of absolute values of the current), or an RMS current value to the formatting module **520**.

A clock **564** allows the formatting module **520** to apply a time stamp to each data frame that is generated. In addition, the clock **564** may allow the trigger module **536** to periodically generate a trigger signal. The trigger signal may initiate collection and/or storage and processing of received data. Periodic generation of the trigger signal may allow the monitoring system **330** to receive data from the air handler monitor module **322** frequently enough to recognize that the air handler monitor module **322** is still functioning.

A voltage tracking module **568** measures the AC line voltage, and may provide raw voltage values or an average voltage value (such as an average of absolute values of the voltage) to the formatting module **520**. Instead of average values, other statistical parameters may be calculated, such as RMS (root mean squared) or mean squared.

Based on the trigger signal, a series of frames may be generated and sent. For example only, the frames may be generated contiguously for 105 seconds and then intermittently for every 15 seconds until 15 minutes has elapsed. Each frame may include a time stamp, RMS voltage, RMS current, real power, average temperature, conditions of status signals, status of liquid sensors, FFT current data, and

a flag indicating the source of the trigger signal. Each of these values may correspond to a predetermined window of time, or, frame length.

The voltage and current signals may be sampled by an analog-to-digital converter at a certain rate, such as 1920 samples per second. The frame length may be measured in terms of samples. When a frame is 256 samples long, at a sample rate of 1920 samples per second, there are 7.5 frames every second (or, 0.1333 seconds per frame). Generation of the trigger signal is described in more detail below in FIG. 7. The sampling rate of 1920 Hz has a Nyquist frequency of 960 Hz and therefore allows an FFT bandwidth of up to approximately 960 Hz. An FFT limited to the time span of a single frame may be calculated by the FFT module **560** for each of the frames.

The formatting module **520** may receive a request for a single frame from the monitoring system **330**. The formatting module **520** therefore provides a single frame in response to the request. For example only, the monitoring system **330** may request a frame every 30 seconds or some other periodic interval, and the corresponding data may be provided to a contractor monitoring the HVAC system in real time.

In FIG. 4B, an example implementation of the condensing monitor module **316** is shown. Components of the condensing monitor module **316** may be similar to components of the air handler monitor module **322** of FIG. 4A. For example only, the condensing monitor module **316** may include the same hardware components as the air handler monitor module **322**, where unused components, such as the wireless transceiver **512**, are simply disabled or deactivated. In various other implementations, a circuit board layout may be shared between the air handler monitor module **322** and the condensing monitor module **316**, with various locations on the printed circuit board being depopulated (corresponding to components present in the air handler monitor module **322** but not implemented in the condensing monitor module **316**).

The current recording module **556** of FIG. 4B receives an aggregate current value (such as from current sensor **320** of FIG. 2) that represents the current to multiple energy-consuming components of the condensing unit **308**. The energy-consuming components may include start windings, run windings, capacitors, and contactors/relays for a condenser fan motor and a compressor motor. The energy-consuming components may also include a reversing valve solenoid, a control board, and in some implementations the condensing monitor module **316** itself.

In the condensing monitoring module **316**, the temperature tracking module **548** may track an ambient temperature. When the condensing monitor module **316** is located outdoors, the ambient temperature represents an outside temperature. As discussed above, the temperature sensor supplying the ambient temperature may be located outside of an enclosure housing a compressor or condenser. Alternatively, the temperature sensor may be located within the enclosure, but exposed to circulating air. In various implementations the temperature sensor may be shielded from direct sunlight and may be exposed to an air cavity that is not directly heated by sunlight. In various implementations, online (including Internet-based) weather data based on geographical location of the building may be used to determine sun load, ambient air temperature, precipitation, and humidity.

The temperature tracking module **548** may monitor temperatures of the refrigerant line at various points, such as before the compressor (referred to as a suction line temperature), after the compressor (referred to as a compressor

discharge temperature), after the condenser (referred to as a liquid line out temperature), and/or at one or more points along the condenser coil. The location of temperature sensors may be dictated by a physical arrangement of the condenser coils. Additionally or alternatively to the liquid line out temperature sensor, a liquid line in temperature sensor may be used. During installation, the location of the temperature sensors may be recorded.

Additionally or alternatively, a database may be available that specifies where temperature sensors are placed. This database may be referenced by installers and may allow for accurate cloud processing of the temperature data. The database may be used for both air handler sensors and compressor/condenser sensors. The database may be pre-populated by the monitoring company or may be developed by trusted installers, and then shared with other installation contractors. The temperature tracking module 548 and/or a cloud processing function may determine an approach temperature, which is a measurement of how close the condenser has been able to make the liquid line out temperature to the ambient air temperature.

In FIG. 5A, the air handler unit 208 of FIG. 1 is shown for reference. Because the systems of the present disclosure can be used in retrofit applications, elements of the air handler unit 208 can remain unmodified. The air handler monitor module 600 and the condensing monitor module 640 can be installed in an existing system without needing to replace the original thermostat 122 shown in FIG. 1. However, to enable certain additional functionality, such as WiFi communication and/or display of alert messages, the thermostat 122 of FIG. 1 may be replaced with the thermostat 364, as shown.

When installing an air handler monitor module 600 in the air handler unit 208, power is provided to the air handler monitor module 600. For example, a transformer 604 can be connected to an AC line in order to provide AC power to the air handler monitor module 600. The air handler monitor module 600 may measure voltage of the incoming line based on this transformed power supply. For example, the transformer 604 may be a 10-to-1 transformer and therefore provide either a 12V or 24V AC supply to the air handler monitor module 600 depending on whether the air handler unit 208 is operating on nominal 120V or nominal 240V power.

A current sensor 608 measures incoming current to the air handler unit 208. The current sensor 608 may include a current transformer that snaps around one power lead of the incoming AC power. In various other implementations, electrical parameters (such as voltage, current, and power factor) may be measured at a different location, such as at an electrical panel providing power to the building from the electrical utility, as shown in FIG. 2 at 318.

For simplicity of illustration, the control module 118 is not shown to be connected to the various components and sensors of the air handler unit 208. In addition, routing of the AC power to various powered components of the air handler unit 208, such as the circulator blower 114, the gas valve 128, and the inducer blower 134, are also not shown for simplicity. The current sensor 608 measures the entire current entering the air handler unit 208 and therefore represents an aggregate current of voltage of each of the current-consuming components of the air handler unit 208.

A condensate sensor 612 measures condensate levels in the condensate pan 196. If a level of condensate gets too high, this may indicate a plug or clog in the condensate pan 196 or a problem with hoses or pumps used for drainage from the condensate pan 196. Although shown in FIG. 5A as being internal to the air handler unit 208, access to the

condensate pan 196 and therefore the location of the condensate sensor 612, may be external to the air handler unit 208.

A return air sensor 616 is located in a return air plenum 620. The return air sensor 616 may measure temperature, pressure, and/or mass airflow. In various implementations, a thermistor may be multiplexed as both a temperature sensor and a hot wire mass airflow sensor. In various implementations, the return air sensor 616 is upstream of the filter 110 but downstream of any bends in the return air plenum 620. A supply air sensor 624 is located in a supply air plenum 628. The supply air sensor 624 may measure air temperature, air pressure, and/or mass air flow. The supply air sensor 624 may include a thermistor that is multiplexed to measure both temperature and, as a hot wire sensor, mass airflow. In various implementations, such as is shown in FIG. 5A, the supply air sensor 624 may be located downstream of the evaporator 192 but upstream of any bends in the supply air plenum 628.

The air handler monitor module 600 also receives a suction line temperature from a suction line temperature sensor 632. The suction line temperature sensor 632 measures refrigerant temperature in the refrigerant line between the evaporator 192 and the compressor 180 (shown in FIG. 5B). A liquid line temperature sensor 636 measures refrigerant temperature of refrigerant in a liquid line traveling from the condenser 184 (shown in FIG. 5B) to the expansion valve 188. The air handler monitor module 600 may include one or more expansion ports to allow for connection of additional sensors and/or to allow connection to other devices, such as a home security system, a proprietary handheld device for use by contractors, or a portable computer.

The air handler monitor module 600 also monitors control signals from the thermostat 364. Because one or more of these control signals is also transmitted to the condensing unit 212 (shown in FIG. 5B), these control signals can be used for communication between the air handler monitor module 600 and a condensing monitor module 640 (shown in FIG. 5B). The air handler monitor module 600 communicates with the customer router 338, such as using IEEE 802.11, also known as WiFi. As discussed above although WiFi is discussed in this example, communication according to the present disclosure can be performed over a variety of wired and wireless communication protocols.

The thermostat 364 may also communicate with the customer router 338 using WiFi. In various implementations, the air handler monitor module 600 and the thermostat 364 do not communicate directly; however, because they are both connected through the customer router 338 to a remote monitoring system, the remote monitoring system may allow for control of one based on inputs from the other. Specifically, various faults identified based on information from the air handler monitor module 600 may cause the remote monitoring system to adjust temperature set points of the thermostat 364 and/or display warning or alert messages on the thermostat 364.

In FIG. 5B, the condensing monitor module 640 is installed in the condensing unit 212. A transformer 650 converts incoming AC voltage into a stepped-down voltage for powering the condensing monitor module 640. In various implementations, the transformer 650 may be a 10-to-1 transformer. A current sensor 654 measures current entering the condensing unit 212. The condensing monitor module 640 may also measure voltage from the supply provided by the transformer 650. Based on measurements of the voltage

and current, the condensing monitor module 640 may calculate power and/or may determine power factor. As described above, the condensing monitor module 640 communicates with the air handler monitor module 600 using one or more control signals from the thermostat 364. In these implementations, data from the condensing monitor module 640 is transmitted to the air handler monitor module 600, which in turn uploads the data by the customer router 338.

In FIG. 5C, the air handler monitor module 600 and the thermostat 364 are shown communicating, using the customer router 338, with a monitoring system 660 via the Internet 334. The monitoring system 660 includes a monitoring server 664 which receives data from the air handler monitor module 600 and the thermostat 364 and maintains and verifies network continuity with the air handler monitor module 600. The monitoring server 664 executes various algorithms to identify problems, such as failures or decreased efficiency, and to predict impending faults.

The monitoring server 664 may notify a review server 668 when a problem is identified or a fault is predicted. This programmatic assessment may be referred to as an advisory. Some or all advisories may be triaged by a technician to reduce false positives and potentially supplement or modify data corresponding to the advisory. For example, a technician device 672 operated by a technician is used to review the advisory and to monitor data (in various implementations, in real-time) from the air handler monitor module 600 via the monitoring server 664.

The technician using the technician device 672 reviews the advisory. If the technician determines that the problem or fault is either already present or impending, the technician instructs the review server 668 to send an alert to either or both of a contractor device 676 or a customer device 680. The technician may be determine that, although a problem or fault is present, the cause is more likely to be something different than specified by the automated advisory. The technician can therefore issue a different alert or modify the advisory before issuing an alert based on the advisory. The technician may also annotate the alert sent to the contractor device 676 and/or the customer device 680 with additional information that may be helpful in identifying the urgency of addressing the alert and presenting data that may be useful for diagnosis or troubleshooting.

In various implementations, minor problems may be reported to the contractor device 676 only so as not to alarm the customer or inundate the customer with alerts. Whether the problem is considered to be minor may be based on a threshold. For example, an efficiency decrease greater than a predetermined threshold may be reported to both the contractor and the customer, while an efficiency decrease less than the predetermined threshold is reported to only the contractor.

In some circumstances, the technician may determine that an alert is not warranted based on the advisory. The advisory may be stored for future use, for reporting purposes, and/or for adaptive learning of advisory algorithms and thresholds. In various implementations, a majority of generated advisories may be closed by the technician without sending an alert.

Based on data collected from advisories and alerts, certain alerts may be automated. For example, analyzing data over time may indicate that whether a certain alert is sent by a technician in response to a certain advisory depends on whether a data value is on one side of a threshold or another. A heuristic can then be developed that allows those advisories to be handled automatically without technician review. Based on other data, it may be determined that certain

automatic alerts had a false positive rate over a threshold. These alerts may be put back under the control of a technician.

In various implementations, the technician device 672 may be remote from the monitoring system 660 but connected via a wide area network. For example only, the technician device may include a computing device such as a laptop, desktop, or tablet.

With the contractor device 676, the contractor can access a contractor portal 684, which provides historical and real-time data from the air handler monitor module 600. The contractor using the contractor device 676 may also contact the technician using the technician device 672. The customer using the customer device 680 may access a customer portal 688 in which a graphical view of the system status as well as alert information is shown. The contractor portal 684 and the customer portal 688 may be implemented in a variety of ways according to the present disclosure, including as an interactive web page, a computer application, and/or an app for a smartphone or tablet.

In various implementations, data shown by the customer portal may be more limited and/or more delayed when compared to data visible in the contractor portal 684. In various implementation, the contractor device 676 can be used to request data from the air handler monitor module 600, such as when commissioning a new installation.

In FIG. 5D, a system similar to that of FIG. 5A is shown. A gateway 690 is added, which creates a wireless network with the air handler monitor module 600. The gateway 690 may interface with the customer router 338 using a wired or wireless protocol, such as Ethernet. The wireless network created by the gateway 690 may be compliant with wireless networks described above, such as IEEE 802.11. The wireless network created by the gateway 690 may overlap in coverage with a wireless network created by the customer router 338.

In various implementations, the gateway 690 may be configured, automatically or by an installer, to choose a frequency band and/or channel within a band to minimize interference with any wireless network established by the customer router 338. In addition, the gateway 690 may be configured to choose a frequency band and channel that are not subject to excessive interference from other devices or outside transmissions. The gateway 690 may create a protected wireless network and may authenticate the air handler monitor module 600 using WiFi Protected Setup (WPS). In other implementations, the gateway 690 and the air handler monitor module 600 may use a preshared key (PSK).

Using the gateway 690 provides a known wireless network for the air handler monitor module 600 to communicate over. During installation, the technician may not be able to ascertain a password (including a passphrase or a passkey) used by the customer router 338. Further, when the customer router 338 is upgraded or when the password is changed, the wireless connectivity of the air handler monitor module 600 may be compromised. Further, any existing signal strength, configuration, or other problems with the customer router 338 can be avoided while setting up the air handler monitor module 600.

In the implementation of FIG. 5D, measurement of a differential air pressure between return air and supply air is omitted. The return air sensor 616 of FIG. 5A is therefore represented as a single box at 694. The return air sensor 694 may also be configurable to measure mass airflow, such as when the return air sensor 694 is a thermistor multiplexed as both a temperature sensor and a hot wire mass airflow sensor. Similarly, the supply air sensor 624 of FIG. 5A is

represented as a single box at **698** to measure temperature. The return air sensor **694** may also be configurable to measure mass airflow.

In FIG. 6A, a brief overview of an example monitoring system installation, such as in a retrofit application, is presented. Although FIGS. 6 and 7 are drawn with arrows indicating a specific order of operation, the present disclosure is not limited to this specific order. At **704**, mains power to the air handler is disconnected. If there is no outside disconnect for the mains power to the compressor/condenser unit, mains power to the compressor/condenser unit should also be disconnected at this point. At **708**, the cool line is disconnected from the HVAC control module and connected to the air handler monitor module. At **712**, the switched cool line from the air handler monitor module is connected to the HVAC control module where the cool line was previously connected.

At **716**, fan, heat, and common lines from the air handler monitor module are connected to terminals on the HVAC control module. In various implementations, the fan, heat, and common lines originally going to the HVAC control module may be disconnected and connected to the air handler monitor module. This may be done for HVAC control modules where additional lines cannot be connected in parallel with the original fan, heat, and common lines.

At **720**, a current sensor such as a snap-around current transformer, is connected to mains power to the HVAC system. At **724**, power and common leads are connected to the HVAC transformer, which may provide 24 volt power to the air handler monitor module. In various implementations, the common lead may be omitted, relying on the common lead discussed at **716**. Continuing at **728**, a temperature sensor is placed in the supply air duct work and connected to the air handler monitor module. At **732**, a temperature sensor is placed in the return air duct work and connected to the air handler monitor module. At **734**, a temperature sensor is placed in a predetermined location, such as a middle loop, of the evaporator coil. At **736**, water sensors are installed and connected to the air handler monitor module.

At **740**, mains power to the compressor/condenser unit is disconnected. At **744**, the power supply of the condensing monitor module is connected to the compressor/condenser unit's input power. For example, the condensing monitor module may include a transformer that steps down the line voltage into a voltage usable by the condensing monitor module. At **748**, a current sensor is attached around the compressor/condenser unit's power input. At **752**, a voltage sensor is connected to the compressor/condenser unit's power input.

At **756**, a temperature sensor is installed on the liquid line, such as at the outlet of the condenser. The temperature sensor may be wrapped with insulation to thermally couple the temperature sensor to the liquid in the liquid line and thermally isolate the temperature sensor from the environment. At **760**, the temperature sensor is placed in a predetermined location of the condenser coil and insulated. At **764**, the temperature sensor is placed to measure ambient air. The temperature sensor may be located outside of the condensing unit **308** or in a space of the condensing unit **308** in which outside air circulates. At **768**, mains power to the air handler and the compressor/condenser unit is restored.

In FIG. 6B, an overview of an example installation process for an air handler monitor module (e.g., the air handler monitor module **600** of FIG. 5A) and a condensing monitor module (e.g., the condensing monitor module **640** of FIG. 5B) begins at **804**, where WiFi connectivity is tested. For example only, a contractor may use a portable device,

such as a laptop, tablet, or smartphone to assess the customer's WiFi. If necessary, firmware updates to the customer router may be necessary.

In addition, it may be necessary for the customer to upgrade their router and/or install a second router or wireless access point to allow for a strong signal to be received by the air handler monitor module. The remaining installation may be suspended until a viable WiFi signal has been established or the installation may proceed and commissioning of the system and checking network connectivity can be tested remotely or in person once a strong WiFi signal is available to the air handler monitor module. In various implementations, the air handler monitor module may include a wired network port, which may allow for a run of network cable to provide network access to the air handler monitor module for purposes of testing. The cable can be removed after the system has been commissioned with the expectation that a strong WiFi signal will subsequently be provided.

For example only, power may be supplied to the air handler monitor module to ensure that WiFi connectivity is not only present, but compatible with the air handler monitor module. The power may be temporary, such as a wall-wart transformer or a battery pack, which does not remain with the installed air handler monitor module. In various implementations, the air handler monitor module may be used to test WiFi connectivity before attempting any signal detection or troubleshooting with another device, such as a portable computer.

Control continues at **808**, where mains power is disconnected to the air handler unit. If access to an electrical panel possible, mains power to both the air handler unit and the condensing unit should be removed as soon as possible in the process. At **812**, the installer opens the air handler unit and at **816**, a voltage transformer is installed, connected to AC power, and connected to the air handler monitor module. At **820**, a current sensor is attached around one lead of the AC power input to the air handler unit. At **824**, control lines including fan, heat, cooling, and common are connected from the existing control module to the air handler monitor module.

In various implementations, the air handler monitor module may be connected in series with one of the control lines, such as the call for cool line. For these implementations, the call for cool line may be disconnected from the preexisting control module and connected to a lead on a wiring harness of the air handler monitor module. Then a second lead on the wiring harness of the air handler monitor module can be connected to the location on the preexisting control module where the call for cool line had previously been connected.

At **828**, the air handler unit is closed and the air handler monitor module is mounted to the exterior of the air handler unit, such as with tape and/or magnets. At **832**, a supply air sensor is installed in a hole drilled in a supply air plenum. The supply air sensor may be a single physical device that includes a pressure sensor and a temperature sensor. Similarly, a return air sensor is installed in a hole drilled in a return air plenum.

At **836**, a liquid line temperature sensor is placed on the liquid refrigerant line leading to the evaporator, and a suction line temperature sensor is placed on a suction refrigerant line leading to the compressor. In various implementations, these sensors may be thermally coupled to the respective refrigerant lines using a thermal paste and may be wrapped in an insulating material to minimize the sensors' responsiveness to surrounding air temperature. At **840**, a condensate sensor is installed proximate to the condensate pan and connected to the air handler monitor module.

At **844**, the installer moves to the condensing unit and disconnects mains power to the condensing unit if not already disconnected. At **848**, the installer opens the condensing unit and at **852**, the installer installs a voltage transformer connected to AC power and attaches leads from the condensing monitor module to the transformer. At **856**, a current sensor is attached around one of the power leads entering the condensing unit. At **860**, control lines (including cool and common) from terminals on the existing control board are connected to the condensing monitor module. At **864**, the condensing unit is closed and at **868**, mains power to the air handler unit and condensing unit is restored.

At **872**, communication with the remote monitoring system is tested. Then at **876**, the air handler monitor module the condensing monitor module are activated. At this time, the installer can provide information to the remote monitoring system including identification of control lines that were connected to the air handler monitor module and condensing monitor module. In addition, information such as the HVAC system type, year installed, manufacturer, model number, BTU rating, filter type, filter size, tonnage, etc.

In addition, because the condensing unit may have been installed separately from the furnace, the installer may also record and provide to the remote monitoring system the manufacturer and model number of the condensing unit, the year installed, the refrigerant type, the tonnage, etc. At **880**, baseline tests are run. For example, this may include running a heating cycle and a cooling cycle, which the remote monitoring system records and uses to identify initial efficiency metrics. Further, baseline profiles for current, power, and frequency domain current can be established. Installation may then be complete.

The installer may collect a device fee, an installation fee, and/or a subscription fee from the customer. In various implementations, the subscription fee, the installation fee, and the device fee may be rolled into a single system fee, which the customer pays upon installation. The system fee may include the subscription fee for a set number of years, such as 1, 2, 5, or 10, or may be a lifetime subscription, which may last for the life of the home or the ownership of the building by the customer.

In FIG. 7, a flowchart depicts example operation in capturing frames of data. Control begins upon startup of the air handler monitor module at **900**, where an alive timer is reset. The alive timer ensures that a signal is periodically sent to the monitoring system so that the monitoring system knows that the air handler monitor module is still alive and functioning. In the absence of this signal, the monitoring system **330** will infer that the air handler monitor module is malfunctioning or that there is connectivity issue between the air handler monitor module and the monitoring system.

Control continues at **904**, where control determines whether a request for a frame has been received from the monitoring system. If such a request has been received, control transfers to **908**; otherwise, control transfers to **912**. At **908**, a frame is logged, which includes measuring voltage, current, temperatures, control lines, and water sensor signals. Calculations are performed, including averages, powers, RMS, and FFT. Then a frame is transmitted to the monitoring system. In various implementations, monitoring of one or more control signals may be continuous. Therefore, when a remote frame request is received, the most recent data is used for the purpose of calculation. Control then returns to **900**.

Referring now to **912**, control determines whether one of the control lines has turned on. If so, control transfers to **916**; otherwise, control transfers to **920**. Although **912** refers to

the control line being turned on, in various other implementations, control may transfer to **916** when a state of a control line changes—i.e., when the control line either turns on or turns off. This change in status may be accompanied by signals of interest to the monitoring system. Control may also transfer to **916** in response to an aggregate current of either the air handler unit or the compressor/condenser unit.

At **920**, control determines whether a remote window request has been received. If so, control transfers to **916**; otherwise, control transfers to **924**. The window request is for a series of frames, such as is described below. At **924**, control determines whether current is above a threshold, and if so, control transfers to **916**; otherwise, control transfers to **928**. At **928**, control determines whether the alive timer is above a threshold such as 60 minutes. If so, control transfers to **908**; otherwise, control returns to **904**.

At **916**, a window timer is reset. A window of frames is a series of frames, as described in more detail here. At **932**, control begins logging frames continuously. At **936**, control determines whether the window timer has exceeded a first threshold, such as 105 seconds. If so, control continues at **940**; otherwise, control remains at **936**, logging frames continuously. At **940**, control switches to logging frames periodically, such as every 15 seconds.

Control continues at **944**, where control determines whether the HVAC system is still on. If so, control continues at **948**; otherwise, control transfers to **952**. Control may determine that the HVAC system is on when an aggregate current of the air handler unit and/or of the condensing unit exceeds a predetermined threshold. Alternatively, control may monitor control lines of the air handler unit and/or the condensing unit to determine when calls for heat or cool have ended. At **948**, control determines whether the window timer now exceeds a second threshold, such as 15 minutes. If so, control transfers to **952**; otherwise, control returns to **944** while control continues logging frames periodically.

At **952**, control stops logging frames periodically and performs calculations such as power, average, RMS, and FFT. Control continues at **956** where the frames are transmitted. Control then returns to **900**. Although shown at the end of frame capture, **952** and **956** may be performed at various times throughout logging of the frames instead of at the end. For example only, the frames logged continuously up until the first threshold may be sent as soon as the first threshold is reached. The remaining frames up until the second threshold is reached may each be sent out as it is captured.

In various implementations, the second threshold may be set to a high value, such as an out of range high, which effectively means that the second threshold will never be reached. In such implementations, the frames are logged periodically for as long as the HVAC system remains on.

A server of the monitoring system includes a processor and memory, where the memory stores application code that processes data received from the air handler monitor and condensing monitor modules and determines existing and/or impending failures, as described in more detail below. The processor executes this application code and stores received data either in the memory or in other forms of storage, including magnetic storage, optical storage, flash memory storage, etc. While the term server is used in this application, the application is not limited to a single server.

A collection of servers, which may together operate to receive and process data from the air handler monitor and condensing monitor modules of multiple buildings. A load balancing algorithm may be used between the servers to distribute processing and storage. The present application is

not limited to servers that are owned, maintained, and housed by a monitoring company. Although the present disclosure describes diagnostics and processing and alerting occurring in the monitoring system **330**, some or all of these functions may be performed locally using installed equipment and/or customer resources, such as a customer computer.

The servers may store baselines of frequency data for the HVAC system of a building. The baselines can be used to detect changes indicating impending or existing failures. For example only, frequency signatures of failures of various components may be pre-programmed, and may be updated based on observed evidence from contractors. For example, once a malfunctioning HVAC system has been diagnosed, the monitoring system may note the frequency data leading up to the malfunction and correlate that frequency signature with the diagnosed cause of the malfunction. For example only, a computer learning system, such as a neural network or a genetic algorithm, may be used to refine frequency signatures. The frequency signatures may be unique to different types of HVAC systems and/or may share common characteristics. These common characteristics may be adapted based on the specific type of HVAC system being monitored.

The monitoring system may also receive current data in each frame. For example, when 7.5 frames per seconds are received, current data having a 7.5 Hz resolution is available. The current and/or the derivative of this current may be analyzed to detect impending or existing failures. In addition, the current and/or the derivative may be used to determine when to monitor certain data, or points at which to analyze obtained data. For example, frequency data obtained at a predetermined window around a certain current event may be found to correspond to a particular HVAC system component, such as activation of a hot surface igniter.

Components of the present disclosure may be connected to metering systems, such as utility (including gas and electric) metering systems. Data may be uploaded to the monitoring system **330** using any suitable method, including communications over a telephone line. These communications may take the form of digital subscriber line (DSL) or may use a modem operating at least partially within vocal frequencies. Uploading to the monitoring system **330** may be confined to certain times of day, such as at night time or at times specified by the contractor or customer. Further, uploads may be batched so that connections can be opened and closed less frequently. Further, in various implementations, uploads may occur only when a fault or other anomaly has been detected.

Methods of notification are not restricted to those disclosed above. For example, notification of HVAC problems may take the form of push or pull updates to an application, which may be executed on a smart phone or other mobile device or on a standard computer. Notifications may also be viewed using web applications or on local displays, such as the thermostat **364** or other displays located throughout the building or on the air handler monitor module **322** or the condensing monitor module **316**.

In FIG. 8, control begins at **1004**, where data is received and baseline data is recorded. This may occur during the commissioning of a new monitoring system, which may be either in a new HVAC system or a retrofit installation. Control continues at **1008**, where data is received from the local devices. At **1012**, at the remote monitoring system, the data is analyzed.

At **1016**, control determines whether there is a need for a new consumable, such as an air filter or humidifier element. If so, control transfers to **1020**; otherwise, control transfers to **1024**. At **1020**, the consumable is sent to the customer. The air filter may be sent directly to the customer from the operator of the remote monitoring system or a partner company. Alternatively, a designated HVAC contractor may be instructed to send or personally deliver the consumable to the customer. In addition, the HVAC contractor may offer to install the consumable for the customer or may install the consumable as part of a service plan. In situations where the customer has not opted for consumable coverage, the remote monitoring system may instead send an alert to the customer and/or the contractor that a replacement consumable is needed. This alert may be sent out in advance of when the consumable should be replaced to give the customer or contractor sufficient time to acquire and install the consumable. Control then returns to **1008**.

At **1024**, control determines whether there has been an efficiency decrease. If so, control transfers to **1028**; otherwise, control transfers to **1032**. At **1028**, control determines whether the efficiency decrease is greater than a first threshold. If so, control transfers to **1036**; otherwise, control transfers to **1040**. This first threshold may be a higher threshold indicating that the efficiency decrease is significant and should be addressed. This threshold may be set based on baseline performance of the customer's system, performance of similar systems in a surrounding area, performance of similar systems throughout a wide geographic area but normalized for environmental parameters, and/or based on manufacturer-supplied efficiency metrics.

At **1036**, the customer and designated contractor are notified and control returns to **1008**. At **1040**, control determines whether the efficiency decrease is greater than a second threshold. This second threshold may be lower than the first threshold and may indicate gradual deterioration of the HVAC system. As a result, if the efficiency decrease is greater than this second threshold, control transfers to **1044**; otherwise, control simply returns to **1008**. At **1044**, the decrease in efficiency may not be significant enough to notify the customer; however, the contractor is notified and control returns to **1008**. The contractor may schedule an appointment with the customer and/or may note the decrease in efficiency for the next visit to the customer.

At **1032**, control determines whether a potential fault is predicted based on data from the local devices at the customer building. If so, control transfers to **1048**; otherwise, control transfers to **1052**. At **1048**, control determines whether the fault is expected imminently. If so, and if corresponding service is recommended, control transfers to **1056**, where the customer and the designated contractor are notified. This may allow the customer to make arrangements with the contractor and/or make arrangements to secure a backup source of heating or cooling. For example only, an imminent fault predicted late at night may be too late for service by the contractor. The customer may therefore plan accordingly for a potentially cold or warm building in the morning and make appropriate arrangements. The prediction of the fault may allow for the contractor to schedule a visit as the contractor opens in the morning. Control then returns to **1008**.

If the fault is not expected imminently, or if service is not recommended, at **1048**, the contractor may be notified at **1060**. The contractor may then schedule a visit to the customer to determine whether a part should be preemptively replaced and to discuss other service options with the customer. Control then returns to **1008**. At **1052**, if a failure

is detected, control transfers to **1064**; otherwise, control returns to **1008**. At **1064**, if the failure is verified, such as through automatic or manual mechanisms, control transfers to **1066**; otherwise, control returns to **1008**. At **1066**, if the failure is determined to be with the monitoring hardware, control transfers to **1060** to notify the contractor; otherwise, the failure is with the HVAC system, and control transfers to **1068**. At **1068**, the contractor and customer are notified of the failure and control returns to **1008**.

In various implementations, the customer may be given the option to receive all data and all alerts sent to the contractor. Although this may be more information than a regular customer needs, certain customers may appreciate the additional data and the more frequent contact. The determinations made in **1028**, **1040**, **1048**, **1064**, and **1066** may each be made partially or fully by a technician. This may reduce false positives and confirm correct diagnosis of failures and faults based on the technician's experience with the intricacies of HVAC systems and automated algorithms.

In FIG. **9**, an aggregate current level begins at a non-zero current **1104** indicating that at least one energy-consuming component is consuming energy. A spike in current **1108** may indicate that another component is turning on. Elevated current **1112** may correspond to operation of the inducer blower. This is followed by a spike **1116**, which may indicate the beginning of operation of a hot surface igniter. After opening of a solenoid-operated gas valve, the hot surface igniter may turn off, which returns current to a level corresponding to the inducer blower at **1118**. The current may remain approximately flat **1120** until a current ramp **1124** begins, indicating the beginning of circulator blower operation. A spike **1128** may indicate transition from starting to running of the circulator blower.

In FIG. **10A**, the customer device **680** is shown with an example repair/replace interface. This interface assists the customer in determining whether to repair or to replace subsystems of the HVAC system or the entire HVAC system. Some or all of the following information can be displayed to the customer based on monitored data. The following list is not exhaustive, however, and additional information can be displayed in various situations based on the data received from the customer's HVAC system as well as comparative data obtained from other systems, including repair history information, pricing information, and operating parameters, such as efficiency. A history of repairs **1304** shows the customer what repairs have been done, the corresponding dates, and the corresponding prices. This may include maintenance, such as filter replacements, tune-ups, etc. A projected life of the current system **1308** shows how long the current system is expected to last with regular maintenance and potential replacement of minor parts. A cost of replacement **1312** is calculated based on past history with previous installations and may include a number of options of systems for the customer. For example, a low, medium, and high efficiency system may each be presented. A cost of repairs **1316** depicts what an expected cost is for current repairs to the HVAC system to bring the HVAC system up to a reasonable level of performance. A total cost of ownership comparison **1320** shows the customer how much their current system will cost to repair and operate in comparison to the cost of a new system being installed and operated. An energy savings **1324** is shown based on expected savings from operating a newer, higher efficiency system. A return on investment **1328** may depict the break-even point, if there is one, that shows where the cost of a new system and its lower operating costs may fall below the total cost of the current system with increased operating costs.

In FIG. **10B**, the customer device **680** is shown with a repair verification display. Data received from below the repair can be shown at **1340**, and include efficiency metrics, such as the absolute efficiency of the system and a percentage of efficiency compared to install time, manufacturer guidance, and similar systems. In addition, operational status of components of the HVAC system is shown. For example, if it is determined that a flame probe (not shown) has failed, and therefore the HVAC controller cannot detect that a flame is present, the operational status of the flame probe may be shown as failed. Meanwhile, an after repair metric or status **1344** shows what the monitoring system determines subsequent to the repair being performed. A graphical view **1348** may show a graph of efficiency prior to the repair, while a graphical view **1352** shows an efficiency subsequent to the repair. Additionally or alternatively, other data may be displayed graphically. For example, a trace of current in a time domain or a frequency domain spectrum of current may be shown both before in **1348** and after in **1352** with corresponding notations to indicate the failure in **1348**, and, assuming the repair was successful, the corresponding rectified data in **1352**.

In FIG. **10C**, the customer device **680** is shown displaying system status, which the customer may view at any time. In **1370**, installation, repair, and maintenance history is shown. In addition, current alert status and previous alerts can be shown. In **1374**, contact information for the designated or most recent contractor is shown. At **1378**, absolute and relative efficiency of the customer's HVAC system is shown. Efficiency may be shown both for heating and for cooling, and may be shown in absolute numbers, and in relation to neighbors' systems, similar systems in a wider geographic area, manufacturer guidelines, and baseline values. In **1382**, consumables status is shown. This may show an expected life of a consumable, such as a filter or humidifier pad. In addition, a timeline for when consumables have been previously replaced or installed is shown. A graphical indicator may depict how much expected life is remaining in the consumable with an estimated date of replacement. In **1386**, a graphical view of various system parameters and system data is shown. For example, efficiency since the installation of the monitoring system may be shown. A timescale adjustment **1390** allows the customer to view different periods of time, such as the past one year. In addition, the timescale adjustment **1390** may allow the customer to view only certain windows of time within each year, such as times when the heating system is active or when the cooling system is active.

In FIG. **11**, an example representation of cloud processing is shown, where a processing module **1400** receives event data in the form of frames. The processing module **1400** uses various input data for detection and prediction of faults. Identified faults are passed to an error communication system **1404**. The event data **1402** may be stored upon receipt from the air handler monitor module and the condensing monitor module.

The processing module **1400** may then perform each prediction or detection task with relevant data from the event data **1402**. In various implementations, certain processing operations are common to more than one detection or prediction operation. This data may therefore be cached and reused. The processing module **1400** receives information about equipment configuration **1410**, such as control signal mapping.

Rules and limits **1414** determine whether sensor values are out of bounds, which may indicate sensor failures. In addition, the rules and limits **1414** may indicate that sensor

values cannot be trusted when parameters such as current and voltage are outside of predetermined limits. For example only, if the AC voltage sags, such as during a brownout, data taken during that time may be discarded as unreliable.

De-bouncing and counter holds **1418** may store counts of anomaly detection. For example only, detection of a single solenoid-operated gas valve malfunction may increment a counter, but not trigger a fault. Only if multiple solenoid-operated gas valve failures are detected is an error signaled. This can eliminate false positives. For example only, a single failure of an energy-consuming component may cause a corresponding counter to be incremented by one, while detection of proper operation may lead to the corresponding counter being decremented by one. In this way, if faulty operation is prevalent, the counter will eventually increase to a point where an error is signaled. Records and reference files **1422** may store frequency and time domain data establishing baselines for detection and prediction. De-bouncing encompasses an averaging process that may remove glitches and/or noise. For example, a moving or windowed average may be applied to input signals to avoid spurious detection of a transition when in fact only a spike (or, glitch) of noise was present.

A basic failure-to-function fault may be determined by comparing control line state against operational state based on current and/or power. Basic function may be verified by temperature, and improper operation may contribute to a counter being incremented. This analysis may rely on return air temperature, supply air temperature, liquid line in temperature, voltage, current, real power, control line status, compressor discharge temperature, liquid line out temperature, and ambient temperature.

Sensor error faults may be detected by checking sensor values for anomalous operation, such as may occur for open-circuit or short-circuit faults. The values for those determinations may be found in the rules and limits **1414**. This analysis may rely on return air temperature, supply air temperature, liquid line in temperature (which may correspond to a temperature of the refrigerant line in the air handler, before or after the expansion valve), control line status, compressor discharge temperature, liquid line out temperature, and ambient temperature.

When the HVAC system is off, sensor error faults may also be diagnosed. For example, based on control lines indicating that the HVAC system has been off for an hour, processing module **1400** may check whether the compressor discharge temperature, liquid line out temperature, and ambient temperature are approximately equal. In addition, the processing module **1400** may also check that the return air temperature, the supply air temperature, and the liquid line in temperature are approximately equal.

The processing module **1400** may compare temperature readings and voltages against predetermined limits to determine voltage faults and temperature faults. These faults may cause the processing module **1400** to ignore various faults that could appear present when voltages or temperatures are outside of the predetermined limits.

The processing module **1400** may check the status of discrete sensors to determine whether specifically-detected fault conditions are present. For example only, the status of condensate, float switch, and floor sensor water sensors are checked. The water sensors may be cross-checked against operating states of the HVAC system. For example only, if the air conditioning system is not running, it would not be expected that the condensate tray would be filling with water. This may instead indicate that one of the water

sensors is malfunctioning. Such a determination could initiate a service call to fix the sensor so that it can properly identify when an actual water problem is present.

The processing module **1400** may determine whether the proper sequence of furnace initiation is occurring. This may rely on event and daily accumulation files **1426**. The processing module **1400** may perform state sequence decoding, such as by looking at transitions as shown in FIG. **10B** and expected times during which those transitions are expected. Detected furnace sequences are compared against a reference case and errors are generated based on exceptions. The furnace sequence may be verified with temperature readings, such as observing whether, while the burner is on, the supply air temperature is increasing with respect to the return air temperature. The processing module **1400** may also use FFT processing to determine that the sparkler or igniter operation and solenoid-operated gas valve operation are adequate.

The processing module **1400** may determine whether a flame probe or flame sensor is accurately detecting flame. State sequence decoding may be followed by determining whether a series of furnace initiations are performed. If so, this may indicate that the flame probe is not detecting flame and the burner is therefore being shut off. The frequency of retries may increase over time when the flame probe is not operating correctly.

The processing module **1400** may evaluate heat pump performance by comparing thermal performance against power consumption and unit history. This may rely on data concerning equipment configuration **1410**, including compressor maps when available.

The processing module **1400** may determine refrigerant level of the air conditioning system. For example, the processing module **1400** may analyze the frequency content of the compressor current and extract frequencies at the third, fifth, and seventh harmonics of the power line frequencies. This data may be compared, based on ambient temperature, to historical data from when the air conditioning system was known to be fully charged. Generally, as charge is lost, the surge frequency may decrease. Additional data may be used for reinforcement of a low refrigerant level determination, such as supply air temperature, return air temperature, liquid line in temperature, voltage, real power, control line status, compressor discharge temperature, and liquid line out temperature.

The processing module **1400** may alternatively determine a low refrigerant charge by monitoring deactivation of the compressor motor by a protector switch, may indicate a low refrigerant charge condition. To prevent false positives, the processing module **1400** may ignore compressor motor deactivation that happens sooner than a predetermined delay after the compressor motor is started, as this may instead indicate another problem, such as a stuck rotor.

The processing module **1400** may determine the performance of a capacitor in the air handler unit, such as a run capacitor for the circulator blower. Based on return air temperature, supply air temperature, voltage, current, real power, control line status, and FFT data, the processing module **1400** determines the time and magnitude of the start current and checks the start current curve against a reference. In addition, steady state current may be compared over time to see whether an increase results in a corresponding increase in the difference between the return air temperature and the supply air temperature.

Similarly, the processing module **1400** determines whether the capacitor in the compressor/condenser unit is functioning properly. Based on compressor discharge temperature, liquid line out temperature, ambient temperature,

voltage, current, real power, control line status, and FFT current data, control determines a time and magnitude of start current. This start current is checked against a reference in the time and/or frequency domains. The processing module 1400 may compensate for changes in ambient temperature and in liquid line in temperature. The processing module 1400 may also verify that increases in steady state current result in a corresponding increase in the difference between the compressor discharge temperature and the liquid line in temperature.

The processing module may calculate and accumulate energy consumption data over time. The processing module may also store temperatures on a periodic basis and at the end of heat and cool cycles. In addition, the processing module 1400 may record lengths of run times. An accumulation of run times may be used in determining the age of wear items, which may benefit from servicing, such as oiling, or preemptive replacing.

The processing module 1400 may also grade the customer's equipment. The processing module 1400 compares heat flux generated by the HVAC equipment against energy consumption. The heat flux may be indicated by return air temperature and/or indoor temperature, such as from a thermostat. The processing module 1400 may calculate the envelope of the building to determine the net flux. The processing module 1400 may compare the equipment's performance, when adjusted for building envelope, against other similar systems. Significant deviations may cause an error to be indicated.

The processing module 1400 uses a change in current or power and the type of circulator blower motor to determine the change in load. This change in load can be used to determine whether the filter is dirty. The processing module 1400 may also use power factor, which may be calculated based on the difference in phase between voltage and current. Temperatures may be used to verify reduced flow and eliminate other potential reasons for observed current or power changes in the circulator blower motor. The processing module 1400 may also determine when an evaporator coil is closed. The processing module 1400 uses a combination of loading and thermal data to identify the signature of a coil that is freezing or frozen. This can be performed even when there is no direct temperature measurement of the coil itself.

FFT analysis may show altered compressor load from high liquid fraction. Often, a frozen coil is caused by a fan failure, but the fan failure itself may be detected separately. The processing module 1400 may use return air temperature, supply air temperature, liquid line in temperature, voltage, current, real power, and FFT data from both the air handler unit and the compressor condenser unit. In addition, the processing module 1400 may monitor control line status, switch statuses, compressor discharge temperature, liquid line out temperature, and ambient temperature. When a change in loading occurs that might be indicative of a clogged filter, but the change happened suddenly, a different cause may be to blame.

The processing module 1400 identifies a condenser blockage by examining the approach temperature, which is the difference between the liquid line out temperature and the ambient temperature. When the refrigerant has not been sufficiently cooled from the condenser discharge temperature (the input to the condenser) to the liquid line out temperature (output of the condenser), adjusted based on ambient temperature, the condenser may be blocked. Other data can be used to exclude other possible causes of this problem. The other data may include supply air temperature,

return air temperature, voltage, current, real power, FFT data, and control line status both of the air handler unit and the compressor condenser unit.

The processing module 1400 determines whether the installed equipment is oversized for the building. Based on event and daily accumulation files, the processing module evaluates temperature slopes at the end of the heating and/or cooling run. Using run time, duty cycle, temperature slopes, ambient temperature, and equipment heat flux versus building flux, appropriateness of equipment sizing can be determined. When equipment is oversized, there are comfort implications. For example, in air conditioning, short runs do not circulate air sufficiently, so moisture is not pulled out of the air. Further, the air conditioning system may never reach peak operating efficiency during a short cycle.

The processing module 1400 evaluates igniter positive temperature coefficient based on voltage, current, real power, control line status, and FFT data from the air handler unit. The processing module compares current level and slope during warm-up to look for increased resistance. Additionally, the processing module may use FFT data on warm-up to detect changes in the curve shape and internal arcing.

The processing module also evaluates igniter negative temperature coefficient based on voltage, current, real power, control line status, and FFT data from the air handler unit. The processing module 1400 compares current level and slope during warm-up to look for increased resistance. The processing module 1400 checks initial warm-up and trough currents. In addition, the processing module 1400 may use FFT data corresponding to warm-up to detect changes in the curve shape and internal arcing.

The processing module 1400 can also evaluate the positive temperature coefficient of a nitride igniter based on voltage, current, real power, control line status, and FFT data from the air handler unit. The processing module 1400 compares voltage level and current slope during warm-up to look for increased resistance. In addition, the processing module 1400 uses FFT data corresponding to warm-up to detect changes in the curve shape, drive voltage pattern, and internal arcing. Changes in drive voltage may indicate igniter aging, so those adjustments should be distinguished from changes to compensate for gas content and other furnace components.

In FIGS. 12A-12Q, examples of faults or performance issues that can be detected and/or predicted according to the principles of the present disclosure are listed, along with representative input signals that can be used in making those determinations. As described above, any faults detected or predicted by the following processes may be subjected to manual or automatic triage. During triage, a skilled technician or a specially programmed computer may analyze some or all of the data collected by the system to rule out false alarms and validate that the identified root cause is the most likely cause of the measured characteristics of the HVAC system.

Of the sensor inputs below, some sensor inputs are used for principle diagnosis while other sensor inputs are used to rule out alternative diagnoses and to verify a diagnosis. Some sensors may be suggestive but weakly correlated with a fault, while other sensors are more strongly indicative of the fault. Therefore, sensors may have varying contributions to detection of any given fault.

Indoor current is a measure of aggregate current supplied to the air handler unit, including components such as the inducer blower, the circulator blower, the control circuitry, and the air handler monitor module. The current may be

sampled multiple times per second, allowing transients to be captured and various processing performed, such as derivatives and integrals.

The time domain current data may be transformed into frequency domain data, such as by using a fast Fourier transform (FFT). Indoor voltage may be measured, which corresponds to an AC voltage of power provided to the air handler unit. In various implementations, the indoor voltage may be sampled less frequently than the current and may be an average, RMS, or peak-to-peak value.

The indoor voltage may be used along with the indoor current to calculate power, and the indoor voltage may be used to adjust various limits. For example only, when the indoor voltage is sagging (less than the expected nominal value), various components of the HVAC system may be expected to consume additional current. The indoor voltage may therefore be used to normalize current readings. An indoor power factor may be determined based on phase shift between the indoor current and the indoor voltage. The indoor power may be measured directly and/or calculated based on one or more of indoor current, indoor voltage, and indoor power factor.

Inside module temperature corresponds to a temperature of the air handler monitor module. For example only, this temperature may be of a housing of the air handler monitor module, of an airspace enclosed by the housing, or of a circuit board of the air handler monitor module. A temperature sensor may be placed in a location close to a circuit board component that is expected to run hottest. In this way, as long as the hottest component is operating below a specified threshold, the entire air handler monitor module should be operating within acceptable temperature limits.

In various implementations, the temperature of the air handler monitor module may approach ambient temperature in the space where the HVAC system is installed when the air handler monitor module is not processing and transmitting data. In other words, once the HVAC system has been off for a period of time, the temperature measured by the air handler monitor module may be a reasonable estimate of conditioned space temperature where the air handler unit is located, with perhaps a known offset for heat generated by background operation of the air handler monitor module.

Outdoor current corresponds to an aggregate current consumed by the condenser unit, including the condenser fan, the compressor, and the condenser monitor module. Similar to the air handler monitor module, voltage, power factor, power, and FFT data may be measured, estimated, and/or calculated. In various implementations, current values may be measured and sent to a remote monitoring system where FFTs are performed. Alternatively, as discussed above, the FFTs may be calculated in a local device, such as the air handler monitor module and/or the condenser monitor module, and the FFT data can be uploaded. When the FFT data is uploaded, it may be unnecessary to upload full-resolution time-domain data, and therefore time-domain data that is uploaded may be passed through a decimation filter to decrease bandwidth and storage requirements.

Supply air temperature and return air temperature are measured. The difference between them is often referred to as a supply/return air temperature split. The return air temperature may be measured at any point prior to the evaporator coil and furnace element. The furnace element may be a gas burner and/or an electric element. In various implementations, such as in heat pump systems, the evaporator acts as a condenser in a heating mode and therefore a separate furnace element is not present. The return air

temperature may be measured before or after the filter and may be before or after the circulator blower.

The supply air temperature is measured after the evaporator coil, and may be measured after any hard bends in the supply air plenum, which may prevent the supply air temperature sensor from measuring a temperature of a pocket of cool or warm air trapped by bends in the ductwork. Such a location may also allow for any other sensors installed along with the temperature sensor to be free of ductwork restrictions. For example only, a separate airflow sensor, or the temperature sensor being used in an airflow mode, may need to be in a straight section of ductwork to achieve an accurate reading. Turbulence created before and after bends in the ductwork may result in less accurate airflow data.

Pressures and temperatures of refrigerant in an air conditioning or heat pump refrigerant-cycle system may be measured. Pressure sensors may be expensive and therefore the faults listed below are detected using algorithms that do not require pressure data. Various temperatures of the refrigerant may be measured, and as shown, a liquid line temperature corresponds to temperature of the refrigerant traveling from the condenser to the evaporator but prior to the expansion valve. Suction line temperature is the temperature of refrigerant being sucked into the compressor from the output side of the evaporator. Temperature sensors (not shown) may also be located between the compressor and the condenser (compressor discharge temperature) and at various points along the condenser coil and the evaporator coil.

A differential pressure between supply and return air may be measured, and may be in units of inches of water column. Two sides of the differential pressure sensor may be installed alongside the supply air and return air temperature sensors and may be packaged together in a single housing. In various other implementations, separate absolute pressure sensors may be installed in the supply air and return air ductwork, and differential pressure could then be calculated by subtracting the values.

The condenser monitor module may also include a temperature sensor that measures a temperature of the condenser monitor module, such as on an exterior of the condenser monitor module, an interior of the condenser monitor module, or a location proximate to circuitry. When the condenser unit is not operating, the outside module temperature may approach outside ambient temperature.

Also measured is a call for cool (Y), which activates the compressor to provide cooling, and in a heat pump system, instructs a reversing valve to be in a cooling position. A call for heat (W) is measured and may actuate a furnace element and/or instruct a reversing valve of a heat pump to switch to a heating mode. Further a call for fan (G) signal may be monitored. In various implementations, multistage heating (W2), cooling (Y2), and/or fan (G2) signals may be monitored. In second stage heating, an additional element may be used and/or a current or gas consumption may be increased. In second stage cooling, a speed of the compressor may be increased. Meanwhile, for a second stage fan, a fan speed may be increased.

Internet-connected thermostats may allow the remote monitoring system to receive data from the thermostat, including programmed setpoints, thermostat-measured temperature and humidity, and command state (including whether calls are being made for cool, heat, or fan). A general purpose sensor input allows for current and future sensors to be interfaced to the local devices and then transmitted to the remote monitoring system.

Additional sensors that may be used with the monitoring system of the present disclosure include static pressure,

refrigerant pressure, and refrigerant flow. Refrigerant flow sensors may include acoustic sensors, thermal sensors, Coriolis sensors, Impeller sensors, etc. An infrared temperature sensor may be used to measure temperatures including coil temperatures, burner temperatures, etc. Acoustic & vibration sensors may be used for bearing and balance monitoring, expansion valve operation, and general system noise.

Visual (image, including digital imaging) sensors may be used to analyze the air filter, coils (for particulate matter as well as freezing), flame size and quality, fan operation and condition, etc. Mass air flow sensors may enable true efficiency and Seasonal energy efficiency ratio (SEER) measurement. Optical sensors may assess air filter condition as well as coils (again, for particulate matter as well as freezing). Laser sensors may be used to assess the air filter or coils, fan speed, and particle count for indoor air quality.

Radar sensors may be used to measure fan speed. Capacitive moisture sensors can be used to detect moisture in a pan in which the air handler unit is installed, in a condensate tray, on the floor, in a pump basin, in a sump pump, etc. A float switch may measure water level either on a continuum or in a binary fashion for various locations, including a tray, a tray pump basin, and a sump pump. An ultraviolet (UV) light monitor measures the output of UV lights installed to kill viruses, mold, spores, fungi, and bacteria.

Further sensors include humidity, smoke, carbon monoxide, exhaust temperature, exhaust carbon monoxide level, and exhaust carbon dioxide level. Magnetic sensors measure fan speed. A frost sensor measures heat pump frost and evaporator freezing conditions. A compressor discharge temperature sensor measures superheat.

For an electric heater, current is converted to heat in an electrical element. A fault of the this element can be detected based on current measurements. For a given pattern of calls for heat and/or second stage heat, a certain current profile is expected. This expected current profile may be, as described above, specified by a manufacturer and/or a contractor, or may be determined over one or more system runs. For example, when commissioning a monitoring system, a baseline of current data may be established.

When measured current deviates from the baseline by more than a predefined amount (which may be expressed in absolute terms or as a percentage), a fault of the electric heater is determined. For example, if current does not increase as expected, the heater element will not be able to produce sufficient heat. If the current increases too fast, a short circuit condition may be present. Protection circuitry in the furnace will shut the furnace down, but the measured deviation may allow for determination of the source of the problem.

As the heater element deteriorates, the measured current may be delayed with respect to the baseline. As this delay increases, and as the frequency of observing this delay increases, a fault is predicted. This prediction indicates that the heater element may be reaching an end of lifetime and may cease to function in the near future.

For electric heating, a current measurement that tracks a baseline but then decreases below a threshold may indicate that tripping (which may be caused by overheating or overcurrent conditions) is occurring.

A heating fault may be identified when, for a given call for heat pattern, the supply/return air temperature split indicates insufficient heating. The threshold may be set at a predetermined percentage of the expected supply/return air temperature split.

A heating shutdown fault may be determined when a temperature split rises to within an expected range but then falls below the expected range. This may indicate that one or more of the pressure sensors has caused the heating to stop. As these shutdowns become more frequent, a more severe fault may be declared, indicating that the heater may soon fail to provide adequate heat for the conditioned space because the heater is repeatedly shutting down.

When a call for heat is made, the furnace will progress through a sequence of states. For example only, the sequence may begin with activating the inducer blower, opening the gas valve, igniting the gas, and turning on the circulator blower. Each of these states may be detectable in current data, although frequency-domain as well as time-domain data may be necessary to reliably determine certain states. When this sequence of states appears to indicate that the furnace is restarting, a fault may be declared. A furnace restart may be detected when the measured current matches a baseline current profile for a certain number of states and then diverges from the baseline current profile for the next state or states.

Furnace restarts may occur occasionally for various reasons, but as the number and frequency of furnace restart events increases, an eventual fault is predicted. For example only, if 50% of calls for heat involve one or more furnace restarts, a fault may be declared indicating that soon the furnace may fail to start altogether or may require so many restarts that sufficient heating will not be available.

An overheating fault may be declared when a temperature exceeds an expected value, such as a baseline value, by more than a predetermined amount. For example, when the supply/return air temperature split is greater than a predetermined threshold, the heat exchanger may be operating at too high of a temperature.

A flame rollout switch is a safety device that detects overly high burner assembly temperatures, which may be caused by a reduction in airflow, such as a restricted flue. A fault in the flame rollout switch may be diagnosed based on states of the furnace sequence, as determined by measured current. For example, a trip of the flame rollout switch may generally occur during the same heating state for a given system. In various implementations, the flame rollout switch will be a single-use protection mechanism, and therefore a trip of the flame rollout switch is reported as a fault that will prevent further heating from occurring.

A blower fault is determined based on variation of measured current from a baseline. The measured current may be normalized according to measured voltage, and differential pressure may also be used to identify a blower fault. As the duration and magnitude of deviation between the measured current and the expected current increase, the severity of the fault increases. As the current drawn by the blower goes up, the risk of a circuit breaker or internal protection mechanism tripping increases, which may lead to loss of heating.

A permanent-split capacitor motor is a type of AC induction motor. A fault in this motor may be detected based on variation of power, power factor, and variation from a baseline. A fault in this motor, which may be used as a circulator blower, may be confirmed based on a differential air pressure. As the deviation increases, the severity of the fault increases.

A fault with spark ignition may be detected based on fault of the furnace to progress passed the state at which the spark ignition should ignite the air/fuel mixture. A baseline signature of the spark igniter may be determined in the frequency domain. Absence of this profile at the expected time may indicate that the spark igniter has failed to operate.

Meanwhile, when a profile corresponding to the spark igniter is present but deviates from the baseline, this is an indication that the spark igniter may be failing. As the variation from the baseline increases, the risk of fault increases. In addition to current-based furnace state monitoring, the supply/return temperature split may verify that the heater has failed to commence heating.

A hot surface igniter fault is detected based on analyzing current to determine furnace states. When the current profile indicates that igniter retries have occurred, this may indicate an impending fault of the hot surface igniter. In addition, changes in the igniter profile compared to a baseline may indicate an impending fault. For example, an increase in drive level indicated in either time-domain or frequency-domain current data, an increase in effective resistance, or frequency domain indication of internal arcing may indicate an impending fault of the hot surface igniter.

A fault in the inducer fan or blower is detected based on heater states determined according to current. Faults may be predicted based on frequency domain analysis of inducer fan operation that indicate operational problems, such as fan blades striking the fan housing, water being present in the housing, bearing issues, etc. In various implementations, analysis of the inducer fan may be performed during a time window prior to the circulator blower beginning. The current drawn by the circulator blower may mask any current drawn by the inducer blower.

A fault in the fan pressure switch may be detected when the time-domain current indicates that the furnace restarted but blower fault does not appear to be present and ignition retries were not performed. In other words, the furnace may be operating as expected with the issue that the fan pressure switch does not recognize that the blower motor is not operating correctly. Service may be called to replace the fan pressure switch. In various implementations, the fan pressure switch may fail gradually, and therefore an increase in the number of furnace restarts attributed to the fan pressure switch may indicate an impending fault with the fan pressure switch.

A flame probe fault is detected when a flame has been properly created, but the flame probe does not detect the flame. This is determined when there are ignition retries but frequency-domain data indicates that the igniter appears to be operating properly. Frequency-domain data may also indicate that the gas valve is functioning properly, isolating the fault to the flame probe. A fault in the gas valve may be detected based on the sequence of states in the furnace as indicated by the current. Although the amount of current drawn by the gas valve may be small, a signature corresponding to the gas valve may still be present in the frequency domain. When the signature is not present, and the furnace does not run, the absence of the signature may indicate a fault with the gas valve.

A coil, such as an evaporator coil, may freeze, such as when inadequate airflow fails to deliver enough heat to refrigerant in the coil. Detecting a freezing coil may rely on a combination of inputs, and depends on directional shifts in sensors including temperatures, voltage, time domain current, frequency domain current, power factor, and power measurements. In addition, voltage, current, frequency domain current, and power data may allow other faults to be ruled out.

A dirty filter may be detected in light of changes in power, current, and power factor coupled with a decrease in temperature split and reduced pressure. The power, current, and power factor may be dependent on motor type. When a mass airflow sensor is available, the mass flow sensor may be able

to directly indicate a flow restriction in systems using a permanent split capacitor motor.

Faults with compressor capacitors, including run and start capacitors, may be determined based on variations in power factor of the condenser monitor module. A rapid change in power factor may indicate an inoperative capacitor while a gradual change indicates a degrading capacitor. Because capacitance varies with air pressure, outside air temperature may be used to normalize power factor and current data. A fault related to the circulator blower or inducer blower resulting from an imbalanced bearing or a blade striking the respective housing may be determined based on a variation in frequency domain current signature.

A general failure to cool may be assessed after 15 minutes from the call for cool. A difference between a supply air temperature and return air temperature indicates that little or no cooling is taking place on the supply air. A similar failure to cool determination may be made after 30 minutes. If the system is unable to cool by 15 minutes but is able to cool by 30 minutes, this may be an indication that operation of the cooling system is degrading and a fault may occur soon.

Low refrigerant charge may be determined when, after a call for cool, supply and return temperature measurements exhibit lack of cooling and a temperature differential between refrigerant in the suction line and outside temperature varies from a baseline by more than a threshold. In addition, low charge may be indicated by decreasing power consumed by the condenser unit. An overcharge condition of the refrigerant can be determined when, after a call for cool, a difference between liquid line temperature and outside air temperature is smaller than expected. A difference between refrigerant temperature in the liquid line and outside temperature is low compared to a baseline when refrigerant is overcharged.

Low indoor airflow may be assessed when a call for cool and fan is present, and the differential between return and supply air increases above a baseline, suction line decreases below a baseline, pressure increases, and indoor current deviates from a baseline established according to the motor type. Low outdoor airflow through the condenser is determined when a call for cool is present, and a differential between refrigerant temperature in the liquid line and outside ambient temperature increases above a baseline and outdoor current also increases above a baseline.

A possible flow restriction is detected when the return/supply air temperature split and the liquid line temperature is low while a call for cool is present. An outdoor run capacitor fault may be declared when, while a call for cool is present, power factor decreases rapidly. A general increase in power fault may be declared when a call for cool is present and power increases above a baseline. The baseline may be normalized according to outside air temperature and may be established during initial runs of the system, and/or may be specified by a manufacturer. A general fault corresponding to a decrease in capacity may be declared when a call for cool is present and the return/supply air temperature split, air pressure, and indoor current indicate a decrease in capacity.

In a heat pump system, a general failure to heat fault may be declared after 15 minutes from when a call for heat occurred and the supply/return air temperature split is below a threshold. Similarly, a more severe fault is declared if the supply/return air temperature split is below the same or different threshold after 30 minutes. A low charge condition of the heat pump may be determined when a call for heat is present and a supply/return air temperature split indicates a lack of heating, a difference between supply air and liquid

line temperatures is less than a baseline, and a difference between return air temperature and liquid line temperature is less than a baseline. A high charge condition of the heat pump may be determined when a call for heat is present, a difference between supply air temperature and liquid line temperature is high, a difference between a liquid line temperature and return air temperature is low, and outdoor power increases.

Low indoor airflow in a heat pump system, while a call for heat and fan are present, is detected when the supply/return air temperature split is high, pressure increases, and indoor current deviates from a baseline, where the baseline is based on motor type. Low outdoor airflow on a heat pump is detected when a call for heat is present, the supply/return air temperature split indicates a lack of heating as a function of outside air temperature, and outdoor power increases.

A flow restriction in a heat pump system is determined when a call for heat is present, supply/return air temperature split does not indicate heating is occurring, runtime is increasing, and a difference between supply air and liquid line temperature increases. A general increase in power consumption fault for heat pump system may indicate a loss of efficiency, and is detected when a call for heat is present and power increases above a baseline as a function of outside air temperature.

A capacity decrease in a heat pump system may be determined when a call for heat is present, a supply/return air temperature split indicates a lack of heating, and pressure split in indoor current indicate a decreased capacity. Outside air temperature affects capacity, and therefore the threshold to declare a low capacity fault is adjusted in response to outside air temperature.

A reversing valve fault is determined when a call for heat is present but supply/return air temperature split indicates that cooling is occurring. Similarly, a reversing valve fault is determined when a call for cool is present but supply/return air temperature split indicates that heating is occurring.

A defrost fault may be declared in response to outdoor current, voltage, power, and power factor data, and supply/return air temperature split, refrigerant supply line temperature, suction line temperature, and outside air temperature indicating that frost is occurring on the outdoor coil, and defrost has failed to activate. When a fault due to the reversing valve is ruled out, a general defrost fault may be declared.

Excessive compressor tripping in a heat pump system may be determined when a call for cool or heating is present, supply/return air temperature split lacks indication of the requested cooling or heating, and outdoor fan motor current rapidly decreases. A fault for compressor short cycling due to pressure limits being exceeded may be detected when a call for cool is present, supply/return air temperature split does not indicate cooling, and there is a rapid decrease in outdoor current and a short runtime. A compressor bearing fault may be declared when an FFT of outdoor current indicates changes in motor loading, support for this fault is provided by power factor measurement. A locked rotor of the compressor motor may be determined when excessive current is present at a time when the compressor is slow to start. A locked rotor is confirmed with power and power factor measurements.

Thermostat short cycling is identified when a call for cool is removed prior to a full cooling sequence being completed. For example, this may occur when a supply register is too close to the thermostat, and leads to the thermostat prematurely believing the house has reached a desired temperature.

When a call for heat and a call for cool are present at the same time, a fault with the thermostat or with the control signal wiring is present. When independent communication between a monitor module and a thermostat is possible, such as when a thermostat is Internet-enabled, thermostat commands can be compared to actual signals on control lines and discrepancies indicate faults in control signal wiring.

True efficiency, or true SEER, may be calculated using energy inputs and thermal output where mass flow is used to directly measure output. Envelope efficiency can be determined by comparing heat transfer during off cycles of the HVAC system against thermal input to measure envelope performance. The envelope refers to the conditioned space, such as a house or building, and its ability to retain heat and cool, which includes losses due to air leaks as well as effectiveness of insulation.

An over-temperature determination may be made for the air handler monitor module based on the indoor module temperature and the condenser monitor module based on the outside module temperature. When either of these temperatures exceeds a predetermined threshold, a fault is identified and service may be called to prevent damage to components, electrical or otherwise, of the air handler monitor module and the condenser monitor module.

A fault corresponding to disconnection of a current sensor can be generated when a measured current is zero or close to zero. Because the measured current is an aggregate current and includes at least current provided to the corresponding monitor module, measured current should always be non-zero. A fault may be signaled when current sensor readings are out of range, where the range may be defined by a design of the current sensor, and/or may be specified by operating parameters of the system.

Faults related to temperature sensors being opened or shorted may be directly measured. More subtle temperature sensor faults may be determined during an idle time of the HVAC system. As the HVAC system is not running, temperatures may converge. For example, supply air and return air temperatures should converge on a single temperature, while supply line and liquid line temperatures should also converge.

The indoor module temperature may approximately correspond to temperature in the supply and return air ductwork, potentially offset based on heat generated by the control board. This generated heat may be characterized during design and can therefore be subtracted out when estimating air temperature from the board temperature measurements.

Voltage alerts may signal a fault with the power supply to the air handler unit or the condensing unit, both high and low limits are applied to the air handler unit voltage as well as the condensing unit voltage.

Condensate sensor fault indicates that condensate water is backing up in the condensate tray which receives condensed water from the evaporator coil, and in various implementations, may also receive water produced by combustion in the furnace. When the condensate sensor indicates that the level has been high for a longer period of time, or when the condensate sensor detects that the condensate sensor is fully submerged in water, a more severe fault may be triggered indicating that action should be taken to avoid water overflow.

If current exceeding a predetermined idle value is detected but no call has been made for immediate cool or fan, a fault is declared. For example only, an electronically commutated motor (ECM) blower that is malfunctioning

may start running even when not instructed to. This action would be detected and generate a fault.

When temperatures of the home fall outside of predefined limits a fault is declared. Temperatures of the home may be based on the average of temperature sensors, including supply air and return air. The indoor module temperature compensated by an offset may also be used to determine home temperature when the air handler unit is within the conditioned space.

A compressor fault is declared when a call for cool results in current sufficient to run the condenser fan, but not enough current to run the condenser fan and the compressor. A contactor fault may be declared when a call for cool has been made but no corresponding current increase is detected. However, if a current sensor fault has been detected, that is considered to be the cause and therefore the contactor fault is preempted.

A contactor failure to open fault, such as when contactor contacts weld, can be determined when the call for cool is removed but the current remains at the same level, indicating continued compressor operation. A fault may be declared when a general purpose sensor has been changed and that change was not expected. Similarly, when a general purpose sensor is disconnected and that disconnection was not expected, a fault may be declared.

In systems where ultraviolet (UV) lights are used to control growth of mold and bacteria on the evaporator, a UV light sensor may monitor output of the UV light and indicate when that light output falls below a threshold.

A sensor may detect a wet floor condition, and may be implemented as a conduction sensor where a decrease in resistance indicates a presence of water. A general purpose wet tray sensor indicates that a tray in which the air handler unit is located is retaining water.

A condensate pump water sensor generates a fault when a water level in the condensate pump is above a threshold. Condensate pumps may be used where a drain is not available, including in many attic mount systems. In some buildings, a sump pump is dug below grade and a pump is installed to pump out water before the water leaches into the foundation. For example, in a residence, a corner of the basement in areas that have a relatively high water table may have a sump pump. Although the sump pump may not be directly related to the HVAC system, a high level of water in the sump pump may indicate that the pump has failed or that it is not able to keep up with the water entering the sump.

Faults or performance issues that can be detected and/or predicted programmatically may be referred to as advisories. For example, advisories may be generated for faults or performance issues based on various sensor inputs as described above in FIGS. 12A-12Q. As discussed above, advisories may be reviewed by a technician to assess whether the advisory is a false positive and to provide additional information in any alert that is sent. For example, the technician may be able to narrow down likely causes of detected or predicted problems.

In FIGS. 13A-13F, examples of triaging procedures for a small sample of potential advisories are shown. The triaging procedures may be performed programmatically and/or with input from the technician. Which portions rely on input from the technician may vary over time. For example, as heuristics become more accurate and false positives in certain scenarios decrease, the technician may be bypassed for particular elements of the triage process. The computing system administering the triage process may guide the

technician through the elements where technician input is required, and may automatically display data relevant to the element under consideration.

In FIG. 13A, control of an example triage process begins when an advisory is generated that indicates that indoor current is detected without a corresponding call for heating, cooling, or fan. At 1504, control of the triage process includes observing data related to the system that triggered the advisory. At 1508, control determines whether the heating, cooling, and fan control lines are zero (inactive). If so, the triage process begins at 1512; otherwise, a call appears to actually be present, and the advisory appears to be a false positive. Therefore, the triage process may submit the advisory to engineering review.

At 1512, if the triage process determines whether the current is greater than a threshold, such as 1.5 Amps, the triage process continues at 1516; otherwise, the current is not high enough to trigger an alert, and the advisory may be submitted for engineering review. The threshold for current may be set to avoid false positives, such as from sensor noise. At 1516, if the system is transitioning from on to off, the call may have been removed, but there may be some residual current draw, such as from the fan continuing to run for a predetermined period of time. If this transition is still in progress, the triage process may submit this advisory for engineering review; otherwise, the advisory appears to have been valid and the triage process continues at 1520.

At 1520, if current data, such as indoor and outdoor currents, and temperatures, including air and refrigerant temperatures, are indicative of a normal run of the system, the triage process determines that there is a control line monitoring failure. This may be submitted for engineering review to assess if there are any configuration issues with the installation of the monitoring system. Because of the wide variety in the industry of control lines and ways of actuating those control lines, an automatic alert may be undesirable when it appears that there is a control line monitoring failure. Upon engineering review, the engineer may determine that there is a loose connection to the control line and generate a corresponding alert manually. At 1520, if the triage process determines that the HVAC system is not experiencing a normal run, the triage process sends an alert indicating an unexpected current draw.

In each of these triage processes, the alert that is sent may be sent to the contractor and/or to the customer. There may be various settings determining which alerts are sent to whom, and at what time those alerts can be sent. Alerts occurring outside of those times may be buffered for later sending, or may be addressed differently. For example, an alert that would ordinarily be sent to both a contractor and a customer if occurring during the day may instead be sent only to the contractor if occurring late in evening.

In FIG. 13B, control of an example triage process begins when an advisory is generated indicating a problem with the furnace starting. At 1604, the triage process involves observing current vs. time and previous heating run data. At 1608, if an inducer fan is present in the furnace system, control of the triage process transfers to 1612; otherwise, control transfers to 1616. At 1612, if an absence of the inducer fan is observed, control transfers to 1620; otherwise, control transfers to 1624. At 1624, if a retry of the inducer fan is observed, control transfers to 1620; otherwise, control returns to 1616.

At 1616, control determines whether there is an igniter, such as a hot surface igniter, in the furnace system. If so, control transfers to 1628; otherwise, control transfers to 1632. At 1628, if an absence of the igniter is observed (based

on observing current vs. time), control transfers to **1620**; otherwise, control transfers to **1636**. At **1636**, if a retry of the igniter is observed, control transfers to **1620**; otherwise, control transfers to **1632**. At **1632**, if a sparker ignition system is present in the furnace system, control transfers to **1640**; otherwise, control transfers to **1644**.

At **1640**, if the start of the circulator blower is delayed by more than a threshold period of time, control transfers to **1620**; otherwise, control transfers to **1644**. At **1644**, if an abnormal furnace shutdown or restart is observed, control transfers to **1620**; otherwise, the advisory is closed. When an advisory is closed, the advisory is logged and any notes or inputs received from the technician may be recorded for later analysis, either for the specific furnace system that triggered the advisory or for anonymized bulk analysis.

At **1620**, if more than a certain number of failures have occurred within a predetermined period of time, such as three failures within the last four days, control transfers to **1648**; otherwise, the advisory is closed. At **1648**, the most likely source of the problem is determined. The triage process may identify the most likely source of the problem based on charts of current and temperatures and specifically a determination of at what point in the furnace startup sequence did the charts indicate that the furnace deviated from normal operation. If the most likely source is determined to be the inducer fan, control sends an alert indicating a problem with the inducer fan. If, instead, the most likely source of the problem is the igniter (or sparker), control sends an alert indicating a potential issue with the igniter (or sparker).

The determination of the most likely source of the problem may be based on the identity of the at least 3 failures from the past 4 days (or whatever other threshold and timeframe is used in **1620**). For example, when **1620** is arrived at from either **1612** or **1624**, the failure may be attributed to the inducer fan, while when **1620** is arrived at from **1628** or **1636**, the failure may be attributed to the igniter. Similarly, when **1620** is arrived at from **1640**, the failure may be attributed to the sparker. The most likely source of the problem may be determined based on whether one of these three sources was identified in a majority of the failures considered by **1620**. In the implementation where **1620** is triggered by 3 failures, 2 failures attributed to, for example, the inducer fan may indicate that the inducer fan is the most likely source of the problem. In various implementations, failures occurring before the timeframe analyzed in **1620** may also inform the determination of the most likely source of the problem. For example, previously determined errors may be weighted, so that the earlier the error occurred, the lower weight it is assigned.

In FIG. 13C, control of an example triage process begins when an advisory is generated indicating that the run capacitor of a compressor is failing. At **1704**, control of the triage process opens files corresponding to data that triggered the advisory. At **1708**, control determines whether the power factor decreased by more than a predetermined threshold, such as 15%, and then remained low for the period during which the advisory was generated. If so, control transfers to **1712**; otherwise, the advisory is submitted for engineering review.

At **1712**, control determines whether the current increased by at least a predetermined amount, such as 15%. If so, an alert is sent indicating a problem with the compressor run capacitor; otherwise, control transfers to **1716**. If an outside temperature change is greater than a threshold (alternatively, if an absolute value of an outside temperature change is greater than the threshold), the power factor decrease may be

due to this temperature change and the advisory is closed; otherwise, control transfers to **1720**. If there was severe weather in the area where the system that triggered the advisory was operating, this could also explain the decrease in power factor, and the advisory is closed; otherwise, the advisory is sent for engineering review.

In FIG. 13D, control of an example triage process begins in response to an advisory indicating a circular blower signal anomaly. At **1804**, control determines whether there is a deviation of the blower signal of a baseline. For example, this may refer to the current consumed by the circulator blower in either the time domain or frequency domain. If this deviation is observed, control transfers to **1808**; otherwise, control transfers to **1812**. The deviation may be evidenced as fluctuations from a steady state value, and may include a sudden drop to a lower-than-expected value. At **1808**, if the system is in a heating mode, control transfers to **1816**; otherwise, control transfers to **1820**. At **1820**, if the system is in a cooling mode, control transfers to **1824**; otherwise, the advisory is sent for engineering review as the system apparently is neither the heating nor the cooling mode.

Returning to **1816**, if the temperature split (supply air temperature minus return air temperature) is greater than a first threshold, corresponding to an unusually high temperature split, control transfers to **1828**; otherwise, the advisory is submitted for engineering review. At **1824**, if the temperature split is less than a second threshold, which may correspond to an abnormally low temperature split, control transfers to **1828**; otherwise, the advisory is submitted for engineering review.

At **1828**, control determines whether a pressure differential across the circulator blower is less than a predetermined threshold. If so, an alert is sent indicating a problem with the circulator blower; otherwise, the advisory is submitted for engineering review. In systems where a differential pressure sensor is omitted, **1828** may be omitted, and the blower alert may be sent without reference to pressure. Alternatively, additional checks may be put in place to compensate for the lack of pressure data.

Returning to **1812**, if the blower motor is a permanent-split capacitor (PSC) motor, control transfers to **1832**; otherwise, the advisory is submitted for engineering review. At **1832**, control determines whether the signature corresponding to PSC overshoot is missing from the current trace of the system. If so, control transfers to **1808**; otherwise, the advisory is submitted for engineering review. Absence of the PSC overshoot may be evidenced by the current staying at an overshoot peak level and not falling off after the peak.

In FIG. 13E, control of an example triage process begins in response to an advisory indicating loss of cooling. At **1904**, if the cooling loss has been present for longer than a predetermined period of time, such as 30 minutes, control may automatically send a cooling alert; otherwise, control continues at **1908**. At **1908**, current and previous heating run data is observed. At **1912**, control determines whether the system is a heat pump that is currently heating. If so, control transfers to **1916**; otherwise, if the heat pump is not currently heating or the system uses an air conditioner, control transfers to **1920**.

At **1916**, the triage process refers to temperature and pressure values to determine whether the heat pump is actually heating or simply defrosting. If defrosting, control transfers to **1920**; otherwise, the advisory is escalated for further review, as the heat pump generally should not be heating when a call for cooling is present. The escalated advisory from **1916** may indicate a fault with a reversing

valve of the heat pump, or control of the reversing valve. Control errors may result from improper configuration or installation of the thermostat, or errors in the indoor unit or outdoor unit control. At **1920**, if the temperature split is greater than -6° F., control transfers to **1924**; otherwise, the advisory is submitted for engineering review.

At **1924**, control determines whether there is at least a predetermined amount of off time between cycles. If not, a short cycle timer in the system may be operating to prevent damage to the system. This operation may explain the loss of cooling advisory. The advisory may therefore be closed. If the minimum off time is being observed between cycles, control transfers to **1928**.

At **1928**, if the outside temperature is greater than a predetermined threshold, such as 70° F., control transfers to FIG. 13F; otherwise, control transfers to **1932**. At **1932**, control determines whether the liquid line refrigerant temperature is greater than the outside air temperature plus an offset, such as 30° F. If so, control transfers to **1936**; otherwise, control transfers to FIG. 13F. At **1936**, control determines whether this advisory is the second consecutive advisory for loss of cooling. If so, control sends an alert indicating low ambient temperature, as HVAC systems may have difficulty cooling a home when the outside air temperature is low. Otherwise, the advisory may be escalated.

In FIG. 13F, control of the manual triage process enters at **1940**, where if the communication between the indoor and outdoor monitor modules is functioning, control transfers to **1944**; otherwise, control transfers to **1948**. At **1944**, control determines whether a call for cooling is observed, but there are no communications between the indoor and outdoor monitor modules. If so, an alert is sent indicating communication problems; otherwise, control transfers to **1952**.

At **1948**, control determines whether indoor temperatures indicate that the system is actually running. If so, control transfers to **1944**; otherwise, it appears that the condensing unit is not operating and an alert is sent indicating a problem with the condensing unit. At **1952**, control determines whether evidence of a condensing fan problem is present, which may include a higher-than-expected liquid line temperature. If so, an alert indicating a problem with the condensing fan is sent; otherwise, control transfers to **1956**.

At **1956**, control determines whether there is evidence of a frozen coil, such as low suction temperature. If so, an alert is sent indicating a problem with a frozen coil; otherwise, control transfers to **1960**. At **1960**, control determines whether there is evidence of compressor protections, such as thermal or pressure cutout switches, engaging. If so, an alert is sent indicating a problem with the compressor; otherwise, an alert is sent indicating a general unspecified cooling problem.

The foregoing description is merely illustrative in nature and is in no way intended to limit the disclosure, its application, or uses. The broad teachings of the disclosure can be implemented in a variety of forms. Therefore, while this disclosure includes particular examples, the true scope of the disclosure should not be so limited since other modifications will become apparent upon a study of the drawings, the specification, and the following claims. As used herein, the phrase at least one of A, B, and C should be construed to mean a logical (A or B or C), using a non-exclusive logical OR. It should be understood that one or more steps within a method may be executed in different order (or concurrently) without altering the principles of the present disclosure.

In this application, including the definitions below, the term module may be replaced with the term circuit. The term

module may refer to, be part of, or include an Application Specific Integrated Circuit (ASIC); a digital, analog, or mixed analog/digital discrete circuit; a digital, analog, or mixed analog/digital integrated circuit; a combinational logic circuit; a field programmable gate array (FPGA); a processor (shared, dedicated, or group) that executes code; memory (shared, dedicated, or group) that stores code executed by a processor; other suitable hardware components that provide the described functionality; or a combination of some or all of the above, such as in a system-on-chip.

The term code, as used above, may include software, firmware, and/or microcode, and may refer to programs, routines, functions, classes, and/or objects. The term shared processor encompasses a single processor that executes some or all code from multiple modules. The term group processor encompasses a processor that, in combination with additional processors, executes some or all code from one or more modules. The term shared memory encompasses a single memory that stores some or all code from multiple modules. The term group memory encompasses a memory that, in combination with additional memories, stores some or all code from one or more modules. The term memory may be a subset of the term computer-readable medium. The term computer-readable medium does not encompass transitory electrical and electromagnetic signals propagating through a medium, and may therefore be considered tangible and non-transitory. Non-limiting examples of a non-transitory tangible computer readable medium include nonvolatile memory, volatile memory, magnetic storage, and optical storage.

The apparatuses and methods described in this application may be partially or fully implemented by one or more computer programs executed by one or more processors. The computer programs include processor-executable instructions that are stored on at least one non-transitory tangible computer readable medium. The computer programs may also include and/or rely on stored data.

What is claimed is:

1. A monitoring system for a heating, ventilation, and air conditioning (HVAC) system of a building, the monitoring system comprising:

a monitoring server, located remotely from the building, configured to:

receive, from a monitoring device installed at the building, (i) time-domain current data based on a measured aggregate current supplied to a plurality of components of the HVAC system and (ii) data based on frequency-domain current data of the measured aggregate current; and

based on the received data, (i) assess whether a failure has occurred in a first component of the plurality of components of the HVAC system and (ii) generate a first preliminary advisory in response to determining that the failure has occurred in the first component; and

a review server, located remotely from the building, configured to:

compare a metric associated with the first preliminary advisory to a threshold value;

in response to the metric being on a first side of the threshold value, close the first preliminary advisory; and

in response to the metric being on another side of the threshold value:

provide the first preliminary advisory as a first advisory to a technician for review;

49

in response to a verification from the technician that the failure has occurred in the first component, transmit a first alert based on the first advisory; in response to a determination from the technician that a cause of the failure is not consistent with a description of the first advisory, (i) modify the first advisory and (ii) transmit the first alert based on the modified first advisory; and

in response to a determination from the technician that the failure has not occurred in the first component, prevent transmission of the first alert.

2. The monitoring system of claim 1, wherein the monitoring server is further configured to:

assess (i) whether a failure has occurred in a second component of the plurality of components and (ii) generate a second preliminary advisory in response to determining that the failure has occurred in the second component;

in response to a metric associated with the second preliminary advisory being on a first side of a second threshold value, provide the second preliminary advisory as a second advisory to the technician; and

in response to the metric associated with the second preliminary advisory being on another side of the second threshold value, close the second preliminary advisory.

3. The monitoring system of claim 1, wherein the monitoring server is configured to transmit the first alert to at least one of a customer and a contractor.

4. The monitoring system of claim 1, wherein the monitoring device is configured to measure voltage and use measured voltage data to normalize the time-domain current data.

5. The monitoring system of claim 1, further comprising a decimation filter configured to perform a decimation operation on at least one of (i) the time-domain current data based on the measured aggregate current and (ii) the data based on frequency-domain current data of the measured aggregate current.

6. The monitoring system of claim 1, wherein:

the received data includes status of at least one of a heating line, a cooling line, and a fan control line; the received data includes temperature readings of the HVAC system;

the monitoring server is configured to generate the first preliminary advisory in response to detection of current in the HVAC system absent a contemporary call for heating, cooling, or fan;

the metric is current;

the threshold value is a predetermined current value; and the review server is further configured to:

determine whether the HVAC system is transitioning from on to off;

in response to determining that the HVAC system is not transitioning from on to off, compare current data and temperature data from the received data to data from normal HVAC operation; and

in response to the current data and temperature data being inconsistent with normal HVAC operation, provide an unexpected current draw alert as the first advisory to the technician.

7. The monitoring system of claim 1, wherein:

the first preliminary advisory is related to a heating subsystem of the HVAC system; and

in response to the heating subsystem of the HVAC system including an inducer fan, the metric is based on at least one of:

50

a count of observed retries of actuating the inducer fan; and

a count of observed instances of evidence of operation of the inducer fan being absent.

8. The monitoring system of claim 7, wherein:

the metric is limited to events in a most recent time period;

the most recent time period has a predetermined length; and

the threshold value is a predetermined count.

9. The monitoring system of claim 1, wherein:

the first preliminary advisory is related to a heating subsystem of the HVAC system;

the heating subsystem of the HVAC system includes a circulator blower;

in response to the heating subsystem of the HVAC system including an igniter, the metric is based on at least one of:

a count of observed retries of actuating the igniter; and

a count of observed instances of evidence of operation of the igniter being absent; and

in response to the heating subsystem of the HVAC system including a sparker, the metric is based on a count of observed instances of a start of the circulator blower being delayed by more than a threshold period of time.

10. The monitoring system of claim 9, wherein:

the metric is limited to events in a most recent time period;

the most recent time period has a predetermined length; and

the threshold value is a predetermined count.

11. The monitoring system of claim 9, wherein:

in response to the HVAC system including an inducer fan and the igniter:

the count of observed retries of actuating the igniter is limited to instances where no absence or retry of the inducer fan is observed; and

the count of observed instances of evidence of operation of the igniter being absent is limited to instances where no absence or retry of the inducer fan is observed; and

in response to the heating subsystem of the HVAC system including the inducer fan and the sparker:

the count of observed instances of the circulator blower start being delayed is limited to instances where no absence or retry of the inducer fan is observed.

12. The monitoring system of claim 9, wherein in response to the HVAC system including an inducer fan and at least one of the igniter and the sparker:

the metric is based on at least one of:

a count of observed retries of actuating the inducer fan; and

a count of observed instances of evidence of operation of the inducer fan being absent;

the review server is configured to, in response to the metric being on the another side of the threshold value, determine a most likely source of a problem;

the metric is based on a sum of (i) a first count that is related to the inducer fan and (ii) a second count that is related to the at least one of the igniter and the sparker; and

the inducer fan is determined to be the most likely source of the problem in response to the first count being greater than the second count.

13. The monitoring system of claim 1, wherein:

the first preliminary advisory is related to a heating subsystem of the HVAC system;

51

the metric is based on a count of abnormal cycles of the heating subsystem; and

the abnormal cycles of the heating subsystem include restarts of the heating subsystem and shutdowns of the heating subsystem not resulting from completion of a call for heat.

14. The monitoring system of claim 1, wherein: the first preliminary advisory is related to a run capacitor of a compressor of the HVAC system;

the monitoring server is configured to receive power factor data;

the metric is power factor; and

the review server is further configured to, in response to (i) the metric being on the another side of the threshold value and (ii) an increase in current being greater than a predetermined threshold:

prevent provisioning of the first preliminary advisory to the technician for review; and

transmit a run capacitor alert as the first alert.

15. The monitoring system of claim 14, wherein the review server is further configured to, in response to (i) the metric being on the another side of the threshold value and (ii) the increase in current being less than the predetermined threshold:

determine whether a temperature outside of the building has changed by more than a threshold temperature difference; and

in response to determining that the temperature outside of the building has changed by more than the threshold temperature difference:

prevent provision of the first preliminary advisory to the technician for review; and

close the first preliminary advisory.

16. The monitoring system of claim 1, wherein: the metric is a current associated with a circulator blower of the HVAC system;

the threshold value is based on a baseline of current established for the circulator blower; and

the review server is further configured to, in response to the metric being on the another side of the threshold value:

determine a temperature split based on a difference between a temperature of air on a supply side of the HVAC system and a temperature of air on a return side of the HVAC system;

determine a pressure differential based on a difference between a pressure of air on a supply side of the

52

HVAC system and a pressure of air on a return side of the HVAC system; and

transmit a circulator blower alert as the first alert in response to concurrence of (i) the HVAC system being in a heating mode, (ii) the temperature split being greater than a first temperature threshold, and (iii) the pressure differential being less than a predetermined pressure value.

17. The monitoring system of claim 16, wherein the review server is further configured to, in response to the metric being on the another side of the threshold value:

transmit the circulator blower alert as the first alert in response to concurrence of (i) the HVAC system being in a cooling mode, (ii) the temperature split being greater than a second temperature threshold, and (iii) the pressure differential being less than the predetermined pressure value.

18. The monitoring system of claim 1, wherein: the first preliminary advisory indicates a loss of cooling ability by the HVAC system;

the metric is off time between cycles; and

the review server is further configured to, in response to the metric being on the another side of the threshold value:

transmit a low ambient temperature alert as the first alert in response to concurrence of (i) a temperature of ambient air surrounding the building being less than a predetermined temperature threshold and (ii) a temperature of a compressor system liquid line being more than a predetermined offset threshold above the temperature of ambient air surrounding the building.

19. The monitoring system of claim 18, wherein the review server is further configured to transmit a cooling alert as the first alert in response to a duration of the loss of cooling ability exceeding a predetermined period.

20. The monitoring system of claim 18, wherein the review server is further configured to:

determine a temperature split based on a difference between a temperature of air on a supply side of the HVAC system and a temperature of air on a return side of the HVAC system; and

prior to comparing the metric to the threshold value, and in response to the temperature split being less than a predetermined value, provide the first preliminary advisory as the first advisory to the technician.

* * * * *