

Washington University in St. Louis

Washington University Open Scholarship

Arts & Sciences Electronic Theses and
Dissertations

Arts & Sciences

Summer 8-15-2019

Effort, avolition and motivational experience in schizophrenia: Analysis of behavioral and neuroimaging data with relationships to daily motivational experience

Adam Culbreth

Washington University in St. Louis

Follow this and additional works at: https://openscholarship.wustl.edu/art_sci_etds



Part of the [Clinical Psychology Commons](#)

Recommended Citation

Culbreth, Adam, "Effort, avolition and motivational experience in schizophrenia: Analysis of behavioral and neuroimaging data with relationships to daily motivational experience" (2019). *Arts & Sciences Electronic Theses and Dissertations*. 1895.

https://openscholarship.wustl.edu/art_sci_etds/1895

This Dissertation is brought to you for free and open access by the Arts & Sciences at Washington University Open Scholarship. It has been accepted for inclusion in Arts & Sciences Electronic Theses and Dissertations by an authorized administrator of Washington University Open Scholarship. For more information, please contact digital@wumail.wustl.edu.

WASHINGTON UNIVERSITY IN ST. LOUIS

Department of Psychological and Brain Sciences

Dissertation Examination Committee:

Deanna Barch, Chair

Todd Braver

Ryan Bogdan

James Gold

Tom Oltmanns

Effort, Avolition and Motivational Experience in Schizophrenia: Analysis of Behavioral and
Neuroimaging Data with Relationships to Daily Motivational Experience

by

Adam Culbreth

A dissertation presented to
The Graduate School
of Washington University in
partial fulfillment of the
requirements for the degree
of Doctor of Philosophy

August 2019
St. Louis, Missouri

Table of Contents

List of Figures	iv
List of Tables	v
Acknowledgments.....	vi
Abstract.....	vii
Chapter 1: Introduction.....	1
1.1 Effort-Based Decision-Making.....	1
1.2 Relevance of Current Project.....	4
1.3 Hypotheses.....	5
Chapter 2: Methods.....	7
2.1 Participants.....	7
2.2 Clinical Ratings.....	7
2.3 Experimental Task.....	8
2.3.1 Behavioral Cognitive Effort Discounting Task.....	8
2.3.2 Neuroimaging Cognitive Effort Discounting Task.....	10
2.3.3 Neuroimaging Preprocessing.....	12
2.4 Data Analysis.....	13
2.4.1 Behavioral Cognitive Effort Discounting Task.....	13
2.4.2 Neuroimaging Cognitive Effort Discounting Task.....	14
Chapter 3: Results.....	17
3.1 Behavioral Cognitive Effort Discounting Task.....	17
3.2 Effect of Task Performance on Effort-Based Choice.....	20
3.3 Relationship Between Effort and EMA.....	20
3.4 Neuroimaging Results.....	20
3.4.2 Main Effect of Task Across Groups.....	20
3.4.2 Diagnostic Group Differences.....	22
3.4.2 Individual Differences.....	24
Chapter 4: Discussion.....	27
4.1 Consistency of Current Findings with Prior Literature.....	27
4.2 Surprising Findings.....	29

4.3 Future Directions.....	30
4.4 Limitations	31
4.5 Consistency of Current Findings with Prior Literature.....	32
Chapter 5: References	33

List of Figures

Figure 2.1: Example of COGED Titration.....	10
Figure 2.2: Sample of Neuroimaging Trial.....	11
Figure 3.1: Cognitive Effort Discounting Behavioral Results.....	18
Figure 3.2: Scatterplots of ROI, Negative Symptoms, and Willingness to Expend Effort.....	24

List of Tables

Table 2.1: <i>A priori</i> ROI mask from Westbrook et al., 2018: <i>Biorxiv</i>	15
Table 3.1: Demographic Information and Symptom Characterization.....	17
Table 3.2: HLMS Predicting Subjective Value	19
Table 3.3 Main Effect of Task: ROI Analysis	21
Table 3.4: Main Effect of Task: Whole Brain Analysis	22
Table 3.5: Diagnostic Group Differences (Hard – Easy Decisions).....	23
Table 3.6: Individual Difference Relationships	25

Acknowledgments

I would like to thank my mentor, Deanna Barch, for her incredible support throughout my graduate training. I could not have asked for a more understanding and supportive mentor, and she's pretty baller at karaoke. I would also like to thank Erin Moran for her support, guidance, and friendship. Our many conversations about the nature of negative symptoms and avenues for better assessment/intervention really shaped the current report and it's safe to say that the work would not have been completed without her. I thank my committee for helpful comments and for pushing me to become a better scientist. I thank my family, friends, and my girlfriend, Erika Wesonga, for support throughout graduate school. Finally, I thank the research participants included in the current study for generously giving their time.

Adam Culbreth

Washington University in St. Louis

August 2019

ABSTRACT OF THE DISSERTATION

Effort, avolition and motivational experience in schizophrenia: Analysis of behavioral and neuroimaging data with relationships to daily motivational experience

by

Adam Culbreth

Doctor of Philosophy in Psychological and Brain Sciences

Washington University in St. Louis, 2019

Professor Deanna Barch, Chair

Recent research suggests that schizophrenia is associated with reduced effort allocation. We examined willingness to expend effort, neural correlates of effort allocation, and the relationship of effort to daily motivational experience in schizophrenia. We recruited 28 individuals with schizophrenia and 30 controls to perform an effort task during fMRI. Individuals with schizophrenia also completed an ecological momentary assessment (EMA) protocol. Individuals with schizophrenia with high negative symptoms were less willing to expend effort for rewards. Daily EMA assessments of motivation were positively associated with effort allocation at a trend-level. Individuals with schizophrenia and controls displayed similar increases in BOLD activation in frontal, cingulate, parietal, and insular regions during effort-based decision-making. However, negative symptoms were associated with reduced BOLD activation in bilateral ventral striatum. These results replicate previous reports of reduced effort allocation in schizophrenia patients with severe negative symptoms, and provide evidence for the role of ventral striatum in effort impairment

Chapter 1: Introduction

Many individuals with schizophrenia experience prominent negative symptoms, such as reductions in motivation, as well as decreased initiation and pursuit of goals. Such symptoms are associated with worse social and occupational functioning in those with schizophrenia, and thus motivational impairment represents an important target for treatment (Milev, Ho, Arndt, & Andreasen, 2005). However, current intervention strategies are, at best, marginally effective at treating these symptoms. Poor treatment efficacy may stem from inadequate mechanistic understanding of factors that give rise to motivational impairment in schizophrenia. While many potential contributory mechanisms have been proposed in the literature (Barch & Dowd, 2010; Gold, Waltz, Prentice, Morris, & Heerey, 2008; Kring & Moran, 2008), recent work has examined the possibility that motivational impairment in schizophrenia might arise due to aberrant effort-based decision-making (Barch, Treadway, & Schoen, 2014; Culbreth, Westbrook, & Barch, 2016; Docx et al., 2015; Fervaha et al., 2015; Fervaha et al., 2013; Gold et al., 2014; Gold et al., 2013; Hartmann et al., 2015; Horan et al., 2015; Huang et al., 2016; McCarthy, Treadway, Bennett, & Blanchard, 2016; Moran, Culbreth, & Barch, 2017; Park, Lee, Kim, Kim, & Koo, 2017; Reddy et al., 2015; Serper, Payne, Dill, Portillo, & Taliercio, 2017; Strauss et al., 2016; Treadway, Peterman, Zald, & Park, 2015; Wang et al., 2015; Wolf et al., 2014).

1.1 Effort-Based Decision-Making

Effort-based decision-making refers to mental calculations that individuals perform to estimate the costs and benefits of engaging in a particular action. For example, a student might

estimate the subjective cost of studying an additional hour in hopes of achieving a better grade on an upcoming exam. Importantly, there are individual differences in effort estimates (e.g., some students might find the extra study time worth the prospect of a higher grade and thus expend the effort while others may not). Recent clinical research has found that individuals with schizophrenia are less willing than healthy controls to exert effort to obtain monetary rewards on experimental tasks (Barch et al., 2014; Culbreth et al., 2016; Fervaha et al., 2013; Gold et al., 2013; Huang et al., 2016; McCarthy et al., 2016; Reddy et al., 2015; Treadway et al., 2015; Wang et al., 2015; Wolf et al., 2014). Many studies have also shown that this deficit in effort exertion is linked to clinician-rated (Barch et al., 2014; Culbreth et al., 2016; Gold et al., 2013; Hartmann et al., 2015; Horan et al., 2015; Moran et al., 2017; Strauss et al., 2016; Treadway, Bossaller, Shelton, & Zald, 2012; Wang et al., 2015; Wolf et al., 2014) and ambulatory assessments (Moran et al., 2017) of motivational impairment in those with schizophrenia, such that schizophrenia patients with prominent motivational impairment demonstrate the least willingness to exert effort. Taken together, previous literature has highlighted aberrant effort-based decision-making as a potential contributory mechanism for motivational impairment in people with schizophrenia.

Alongside work in clinical research, work in basic neuroscience has begun to delineate the neural circuits associated with effort-based decision-making. In the animal literature, there is consistent evidence that striatal dopamine is critically linked to effort allocation (Salamone, Wisniecki, Carlson, & Correa, 2001; Salamone, Koychev, Correa, & McGuire, 2015), such that rodents depleted of striatal dopamine show reduced willingness to perform effortful tasks for rewards. The anterior cingulate cortex (ACC) has also been implicated in the integration of reward and cost information in the context of decision-making (Floresco & Ghods-Sharifi, 2007;

Floresco, Onge, Ghods-Sharifi, & Winstanley, 2008; Hosking, Cocker, & Winstanley, 2014), and specifically ablation of the ACC in rodents has been shown to reduce choice of high effort options. In humans, neuroimaging studies have found that blood oxygenation level dependent (BOLD) activation in the ventral striatum (a region highly innervated by dopaminergic signals) varies as a function of effort (Croxson, Walton, O'Reilly, Behrens, & Rushworth, 2009; Irma Triasih Kurniawan et al., 2010; Westbrook, Lamichhane, & Braver, 2019). Further, the dorsal ACC has been shown to integrate reward and cost information of potential actions (Croxson et al., 2009; Leotti & Delgado, 2011), suggesting a central role for this region in selecting and maintaining effortful action. Finally, the ventral medial prefrontal cortex (VMPFC) has been shown to be critical to valuation of actions (Treadway, Buckholz, et al., 2012). Taken together, cortico-limbic-striatal circuits appear critical to effective effort-based decision-making.

A limited number of studies have examined the neural correlates of effort-based decision-making deficits in schizophrenia. One study used a button-press paradigm where individuals decided between performing an easy button-pressing task for a small reward or a hard button-pressing task for large reward during neuroimaging (Huang et al., 2016). They found that individuals with schizophrenia showed lower BOLD activation of cingulate, ventral striatum, and medial frontal gyrus compared to healthy controls during decision-making. Similarly, although not a direct examination of the neural correlates of effort-based decision-making, Wolf et al., demonstrated that BOLD activation in ventral striatum and dorsolateral prefrontal cortex during reward processing positively correlated with behavioral measures of increased willingness to exert effort in those with schizophrenia (Wolf et al., 2014). Thus, plausible regions of interest for the neural correlates of effort-based decision-making deficits in schizophrenia may be lateral frontal cortex, cingulate cortex, and ventral striatum.

1.2 Relevance of Current Project

Although studies have consistently demonstrated reduced willingness of individuals with schizophrenia to exert effort for monetary rewards, with some exceptions (Docx et al., 2015; Strauss et al., 2016), several open questions remain in the literature. First, while diagnostic group differences are consistently reported, relationships between negative symptom severity in those with schizophrenia and effort allocation are less consistent. Thus, it is important to conduct additional studies to examine symptom relationships in order to provide replication of previous results. Second, while some work has been conducted examining cognitive effort in schizophrenia (Culbreth et al., 2016; Gold et al., 2014; Reddy et al., 2015), most studies have utilized physical effort-based decision-making tasks, and it is not currently known whether physical and cognitive effort-based decision-making are associated with similar or disparate psychological processes and neural circuits (Schmidt, Lebreton, Cléry-Melin, Daunizeau, & Pessiglione, 2012). Thus, it is important to examine non-physical tasks in order to observe whether symptom and diagnostic group effects generalize across effort modality. Third, only one study to date has examined whether effort deficits measured in the lab show relationships to more ecologically-valid assessments of motivation and emotionality (Moran et al., 2017), and tying experimental findings to daily motivational experience remains an important avenue for future research. Finally, while preliminary evidence suggests that patient deficits on effort-based decision-making tasks may be related to hypoactivation of striatum, cingulate, and lateral prefrontal cortex (Huang et al., 2016; Wolf et al., 2014), more research is needed examining the neural correlates of effort-based decision-making in people with schizophrenia.

1.3 Hypotheses

In the current study, we collected neuroimaging data, recruiting both healthy controls and those with schizophrenia to complete a well-validated cognitive effort-based decision-making task, the cognitive effort-discounting task (COGED) (Westbrook, Kester, & Braver, 2013; Westbrook et al., 2019). Further, we collected ambulatory assessments of enjoyment and interest in daily activities of those with schizophrenia in order to observe whether willingness to expend effort and the neural correlates of effort-based decision-making were associated with interest and enjoyment measured outside the lab. First, we examined whether individuals with schizophrenia were less willing than healthy individuals to exert effort for monetary rewards. Given previous literature on aberrant effort-based decision-making in those with psychosis (Culbreth, Moran, & Barch, 2017; Gold, Waltz, & Frank, 2015b; Green, Horan, Barch, & Gold, 2015), we hypothesized that individuals with schizophrenia would be less willing than healthy controls to exert cognitive effort for monetary rewards, even after controlling for task performance (Culbreth et al., 2016). Further, consistent with prior work, we proposed an individual differences relationship, such that those with schizophrenia with the greatest negative symptom severity would be the least willing to exert effort (Culbreth et al., 2017; Gold et al., 2015b; Green et al., 2015). In addition, we proposed that this reduced willingness to expend effort would be associated with measures of enjoyment and interest collected in daily life, such that those with schizophrenia who were least willing to engage with effort on experimental paradigms would also show the least interest and enjoyment in activities of daily life (Moran et al., 2017).

As a second aim, we also sought to gain preliminary evidence of the neural correlates of effort-based decision-making impairments in those with schizophrenia using functional magnetic resonance imaging (fMRI). Consistent with previous literature (Crosby et al., 2009; Leotti & Delgado, 2011; Treadway et al., 2012), we hypothesized that BOLD activation in cingulate cortex and frontal cortex would be enhanced across both healthy controls and those with schizophrenia during putatively difficult effort-based decision-making trials when compared to putatively easy trials. However, we hypothesized that individuals with schizophrenia would show less robust recruitment of striatum, cingulate, and frontal cortex during putatively difficult compared putatively easy effort-based decision-making trials and that activation in these regions would negatively correlate with motivational impairment.

Chapter 2: Methods

2.1 Participants

Study participants included 28 individuals meeting *Diagnostic and Statistical Manual of Mental Disorder*, fourth edition (*DSM-IV*) criteria for schizophrenia or schizoaffective disorder and 30 demographically matched healthy control participants with no personal or family history of psychosis (First, Spitzer, Gibbon, & Williams, 2001). Participants were recruited from the Saint Louis Community. Exclusion criteria included the following: (a) *DSM-IV* diagnosis of substance abuse or dependence in the last year; (b) *DSM-IV* diagnosis of a current major depressive episode; (c) changes in medication dosage two weeks prior to consent; (d) past head injury with documented neurological sequelae and/or loss of consciousness; (e) *Wechsler Test of Adult Reading (WTAR) Estimated Full-Scale IQ* < 70 (Wechsler, 2001); (f) MRI contraindications. All participants were required to pass a urine drug screen prior to study participation. The Washington University Institutional Review Board approved the study, and participants provided written, informed consent in accordance with Washington University's Human Subject Committee's criteria..

2.2 Clinical Ratings

Participants with schizophrenia were provided an Android-enabled smartphone during the EMA portion of the study. During the seven-day protocol, participants received four text messages per day between 10:00 a.m. and 8 p.m., approximately every two to three hours. Text messages contained hyperlinks to a Qualtrics online survey (Snow & Mann, 2013). Following

the receipt of each text message, participants were given 15-minutes to begin each survey. Participants were paid \$1.75 for each survey they completed within this 15-minute window. The protocol was identical to a previously published study by our group (Moran et al., 2017).

On each survey, participants were asked to indicate their current activities from a predetermined list of options (i.e., eating/drinking, TV/radio/computer/reading, entertainment away from home, socializing, exercising, work/school, sleeping, running an errand, cleaning/hygiene/chores, cooking, therapy/doctor's appointment, in transit, nothing in particular). Next, they indicated the (a) level of interest; (b) level of enjoyment they experienced from these activities on a 5-point point ranging from 1 (*not at all*) to 5 (*extremely*). Additionally, participants were asked to indicate their activities, level of interest, and level of enjoyment (a) since the last text message (i.e., in the last 2-3 hours) as well as (b) for what they expected to do in the upcoming 2-3 hours. Current, past, and future self-reports were averaged for each survey for interest and enjoyment, for all analyses creating a signal EMA Enjoyment and Interest measure per time point, EMA-EI. Overall, the EMA protocol was well tolerated (mean completion rate = 78%).

2.3 Experimental Task

2.3.1 Behavioral Cognitive Effort Discounting Task

Participants completed a modified version of the Cognitive Effort Discounting Task (COGED) (Culbreth et al., 2016), originally developed by Westbrook and colleagues (Westbrook et al., 2013; Westbrook et al., 2019). In this task, participants first practice increasingly difficult versions of a cognitively demanding task (*N-Back: 1-4 back*). Participants completed two 64-trial runs of each N-back level; each run consists of 16 target trials and 48 non-targets. Next,

individuals made a series of choices about repeating one task up to 10 more times for cash rewards. Specifically, each decision trial involved a two-alternative forced-choice between completing a more demanding level of the N-back (2-4 back) for a greater reward or a less demanding level (1-back) for a smaller reward. After each choice the reward amount for the 1-back was titrated until participants were putatively indifferent between the base offer for the harder task and the offer for the 1-back (Figure 2.1).

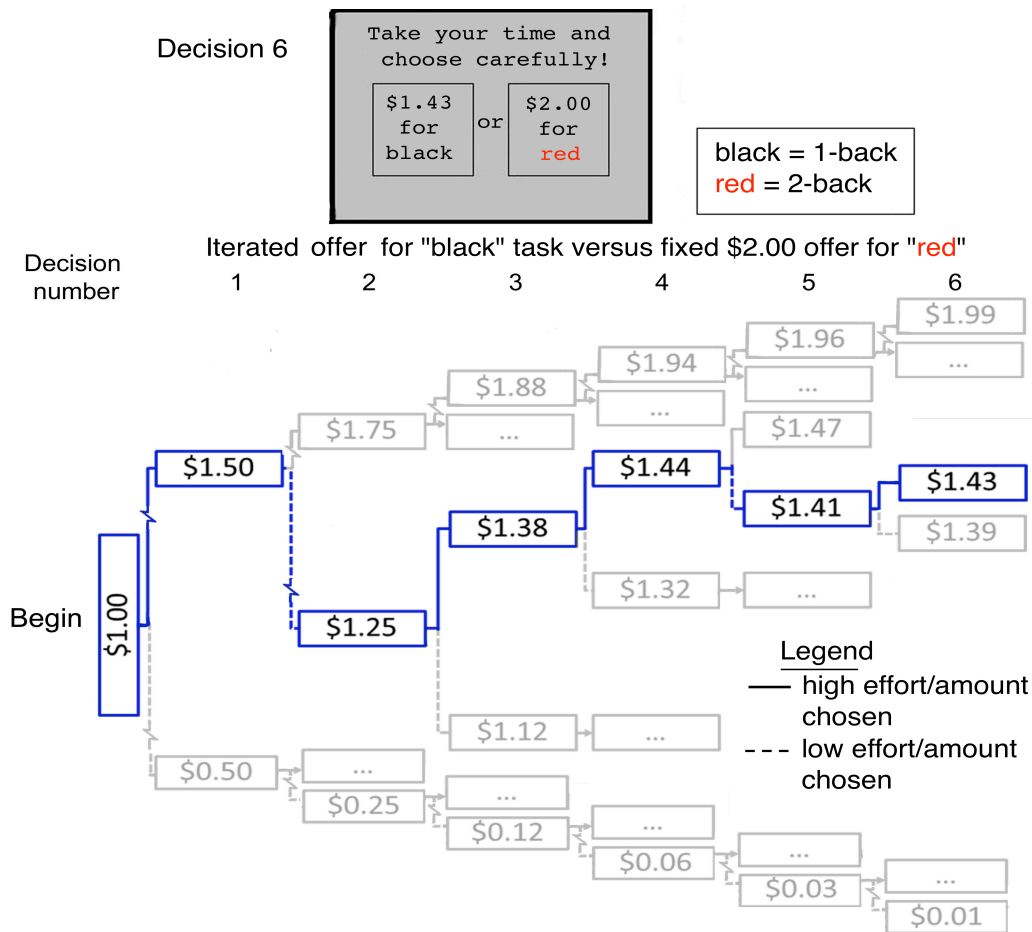


Figure 2.1: Example of COGED titration: 1-back offer began at half of the amount of the high effort option. Then the 1-back offer was step-wise titrated over 6 decision-making trials. This process was repeated for every task-amount pair.

This indifference point was then divided by the base offer amount for the hard task in order to quantify a subjective value for each hard task-base amount pair. Greater subjective value scores suggest greater willingness to exert effort. Critically, participants are instructed that they only need to perform as well on the N-back tasks as they performed during the practice phase to receive payment, helping to reduce any confounds associated with group or individual differences in performance levels. In the current study, three high-demand N-back levels (N = 2–4) and 2 base reward amounts (\$2 and \$4) were used. Each task amount pair was titrated over a series of five decision trials yielding a total of 30 decision-making trials and 6 indifference points across the task. Following scanning trials, one of the participant’s choices was selected at random, to determine the task that they were required to repeat and the amount they were paid.

2.3.2 Neuroimaging Cognitive Effort Discounting Task

During fMRI scanning, participants made similar decisions between repeating a more cognitively demanding level of the N-back (2-4 back) for a greater reward (\$2 or \$4) or a less cognitively demanding (1-back) level for a smaller reward (Figure 2.2).

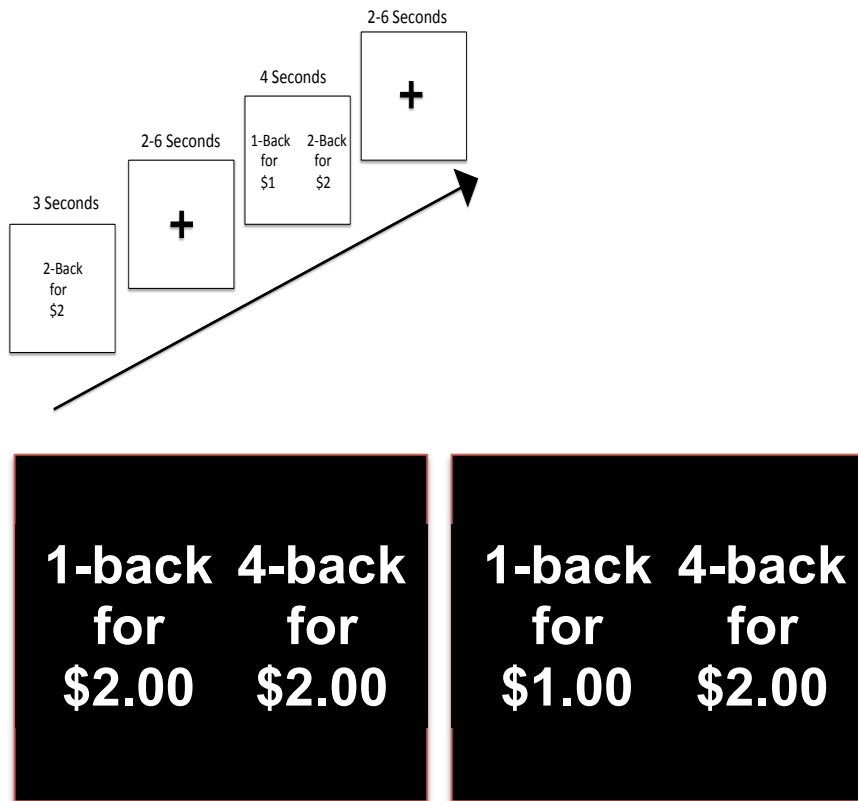


Figure 2.2: Sample Neuroimaging Trial (Top): First the amount and n-back load level for the hard task was presented. After a brief inter-stimulus-interval the 1-back offer was presented and participants decided which task they would rather perform. (Bottom): To the left is an example of a catch trial. Decision-making is putatively easier as the values offered for both tasks are identical. To the right is an example of a non-catch trial. Decision-making is more challenging as individuals have to actively decide whether to expend more effort to obtain additional reward.

First, one task-amount pair was presented in the center of the screen for three seconds (valuation phase). Participants were told to consider how they felt about performing the task for the amount offered. After a jittered inter-stimulus interval (zero, two, or four seconds), an additional task-amount pair appeared on the screen and the participant chose which task they would rather perform for the amounts provided using a button box (decision-making phase). Finally, a jittered inter-trial interval (two, four, six second) occurred prior to the onset of the next trial. Importantly, offers for the easy task were offered at various degrees above and below subject-specific indifference points (100% below, 20% below, 10% below, 40% above, 60%

above, 100% above) calculated prior to scanning. This allowed for manipulation of choice difficulty, as trials that are presented closer to indifference points are putatively more difficult decisions. In total, the fMRI protocol consisted of 72 trials. These trials varied by hard task amount offer (i.e., \$2 or \$4), hard task N-back level (2-4 back), and proximity to indifference point (100% below, 20% below, 10% below, 40% above, 60% above, 100% above). Specifically, two hard task load level trials were presented for each proximity level. Hard task amount offers were split such that \$2 offers were presented during 10% below, 40% above, and 100% above indifference point levels and \$4 offers were presented during 100% below, 20% below, and 60% above load levels. Thus, the design was not completely balanced across load level, proximity, and hard task amount. The main contrast of interest was between trials offered either 100% above/below indifference points that are thought to be putatively easy trials and trials offered in between (e.g., 20% below, 10% below, 40% above, 60% above) which are thought to be more difficult (Figure 2.2).

2.3.3 Neuroimaging Preprocessing

Images were acquired on a 3T Siemens Skyra system with a 32-channel head coil, which was customized and used for the Human Connectome Project (HCP). Structural scans (0.8 mm isotropic) as well as 3 functional runs using a multiband echo-planar sequence (TR=720ms, TE=33.1ms, flip angle =52°, 2.4 mm isotropic voxels, with a multi-band acceleration factor of 8). Each run was approximately 5 minutes in length.

Imaging data was run through HCP minimal preprocessing pipelines (Glasser et al., 2013). Subsequently, data was analyzed using the Analysis of Functional NeuroImages software package (AFNI: Cox, Chen, Glen, Reynolds, & Taylor, 2017). Binary masking was applied to

each image to remove voxels outside the brain. The EPI datasets for each participant were smoothed using an 8-mm FWHM Gaussian kernel to improve the signal-to-noise ratio. Six rigid body motion parameters were used as regressors to correct for motion.

2.4 Data Analysis

2.4.1 Behavioral Cognitive Effort Discounting Task

Subjective effort costs were quantified as the subjective value of discounted rewards. Specifically, the indifference point for a given task-amount pair was divided by the base amount to yield a subjective value. If, for example, a participant was indifferent between \$1.43 for the 1-back and \$2 for the 2-back, then the subjective value for the \$2, 2-back pair would be $\$1.43/\$2 = 0.715$. Thus, greater subjective value estimates equal greater willingness to choose the high effort option. A hierarchical linear model was used to test for group differences in discounting, accounting for the hierarchical nesting of indifference points within participants. Specifically, subjective value was predicted by N-back level, diagnostic group, and their interaction. Hard task reward amount was not found to significantly predict subjective value and did not explain additional variance to justify added complexity to the HLM. Thus it was removed as a predictor in all analyses. To examine whether negative symptoms varied as a function of effort allocation, a second HLM was implemented using only the data from those with schizophrenia. In this model, subjective values were predicted by task level, CAINS-MAP, and their interaction.

Supplemental analyses were conducted in order to quantify whether task performance was driving diagnostic and negative symptom effects on effort allocation. In short, we wanted to assess whether individuals were less willing to engage in demanding task levels simply because they were worse at the task. Thus, we conducted two additional analyses that included average

N-back performance across task levels (d-prime) as an additional predictor of subjective value in the models described above.

Finally, we conducted analyses to determine whether effort allocation was related to interest and enjoyment in daily activities measured via EMA. For these analyses, subjective value estimates for each participant were averaged creating a summary score of COGED decision-making, area under the curve. Area under the discounting curve (AUC) connecting subjective values across all levels provides a summary measure of mean willingness to expend cognitive effort for reward. We conducted one hierarchical linear model predicting EMA-EI by AUC. Further, given strong evidence of group differences for 2-back subjective value (Figure 1), we conducted a supplemental analysis where EMA-EI was predicted by subjective value at the 2-back.

2.4.2 Neuroimaging Cognitive Effort Discounting Task

Each participant's fMRI data was analyzed with a general linear model (GLM) using AFNI software. Separate regressors including a single regressor for BOLD activity during the evaluation phase, as well as separate regressors for each trial type (easy vs. hard trial) during the decision-making phase were modeled using an assumed hemodynamic response (GAM function). Six absolute motion parameters were also included. A contrast comparing hard vs. easy decision trials was created. For this GLM, we conducted a region of interest (ROI) analysis in AFNI using an a priori mask including regions from a prior analysis of an identical contrast (Westbrook, Lamichhane, & Braver, 2018) (Table 2.1).

Table 2.1: A priori ROI mask from Westbrook et al., 2018: Biorsxiv

Number	Region	MNI Coordinates			Voxels
		X	Y	Z	
1	Left Parietal	-28	-66	22	5844
2	Left Cerebellum/Occipital	-40	-48	-36	3697
3	Right Cerebellum/Occipital	38	-48	-36	3134
4	Right Parietal	36	-70	16	2756
5	Cingulate Gyrus	12	20	24	1541
6	Left Thalamus	-16	-10	-14	739
7	Left Inferior Frontal Gyrus	-40	32	12	742
8	Right Thalamus	30	-28	-14	328
9	Left Inferior Frontal Gyrus	-52	44	-18	279
10	Right Inferior Frontal Gyrus	54	8	10	287
11	Left Inferior Parietal	-66	-42	28	186
12	Right Inferior Frontal	50	40	10	156
13	Left Insula	-36	-4	4	141

Further, we included bilateral dorsal striatum defined from AFNI atlases, and bilateral ventral striatum ROIs were created using a 8-mm sphere placed at peak coordinates (+/-10,8,-4) based on a previous study examining the neural correlates of reward learning in schizophrenia patients (Schlagenhauf et al., 2014). Mean percent signal change for each participant for each ROI and condition (easy/hard decision-making trial conditions) were extracted using the AFNI 3dmaskave program. In addition to the primary ROI analyses, we conducted exploratory whole-brain analyses to examine task effects and group differences in the hard vs. easy decision-making trial contrast. Whole-brain statistical maps were corrected for multiple comparisons using AFNI ClustSim program to determine cluster and activation thresholds (Cox et al., 2017).

To examine whether negative symptoms or discounting behavior (AUC) varied as a function of BOLD activation, we conducted bivariate correlations between AUC, CAINS-MAP, and BOLD activation in ROIs for the hard vs. easy contrast in schizophrenia group only. False

discovery rate (FDR) correction was utilized to control for multiple comparisons (Benjamini & Hochberg, 2000).

Chapter 3: Results

The groups did not significantly differ in age, gender, ethnicity, or parental education.

The SZ group reported significantly less personal education than the HC group (Table 1).

Medication information and negative symptom severity of SZ patients is also listed in Table 1.

Table 3.1: Demographic Information and Symptom Characterization

	Healthy Control		Schizophrenia		p-value
	MEAN	SD	MEAN	SD	
Age (years)	35.2	10.63	37.18	12.25	0.51
Sex (% Female)	23%		29%		0.65
Ethnicity, (n)					
African American	16		15		0.38
Asian	4		1		
Caucasian	10		12		
Education (years)	15.47	2.43	12.75	2.95	<0.001
Parental Education (years)	13.92	2.34	14.48	3.76	0.49
WTAR	95.58	18.06	93.25	20.48	0.64
CAINS MAP	--		16.89	5.17	--
CAINS EXP	--		5.39	4.04	--
Medications (n)					
Unmedicated	--		5		--
Atypical antipsychotics	--		18		
Typical antipsychotics	--		5		
Chlorpromazine Equivalent	--		311.81	151.45	--

Note: SD: Standard Deviation; WTAR: Wechsler Test of Adult Reading; CAINS MAP: Consensus Assessment Interview for Negative Symptoms Motivation and Pleasure Subscale; CAINS EXP: Consensus Assessment Interview for Negative Symptoms Expressivity Subscale.

3.1 Behavioral Cognitive Effort Discounting Task

Both SZ and HC participants discounted reward offers for higher levels of the N-back task, and did so in a mostly monotonic fashion (Figure 2A). Thus, participant discounting was sensitive to task load, and subjective costs increased with objective demands, as expected. SZ participants discounted rewards more than HC participants (Table 2A), suggesting greater effort aversion in those with schizophrenia (Figure 2B). Diagnostic group differences appeared to be

largely driven by steep discounting of rewards by individuals with SZ compared to HC at the 2-back (Figure 2A), though the interaction between diagnostic group and n-back level was not significant.

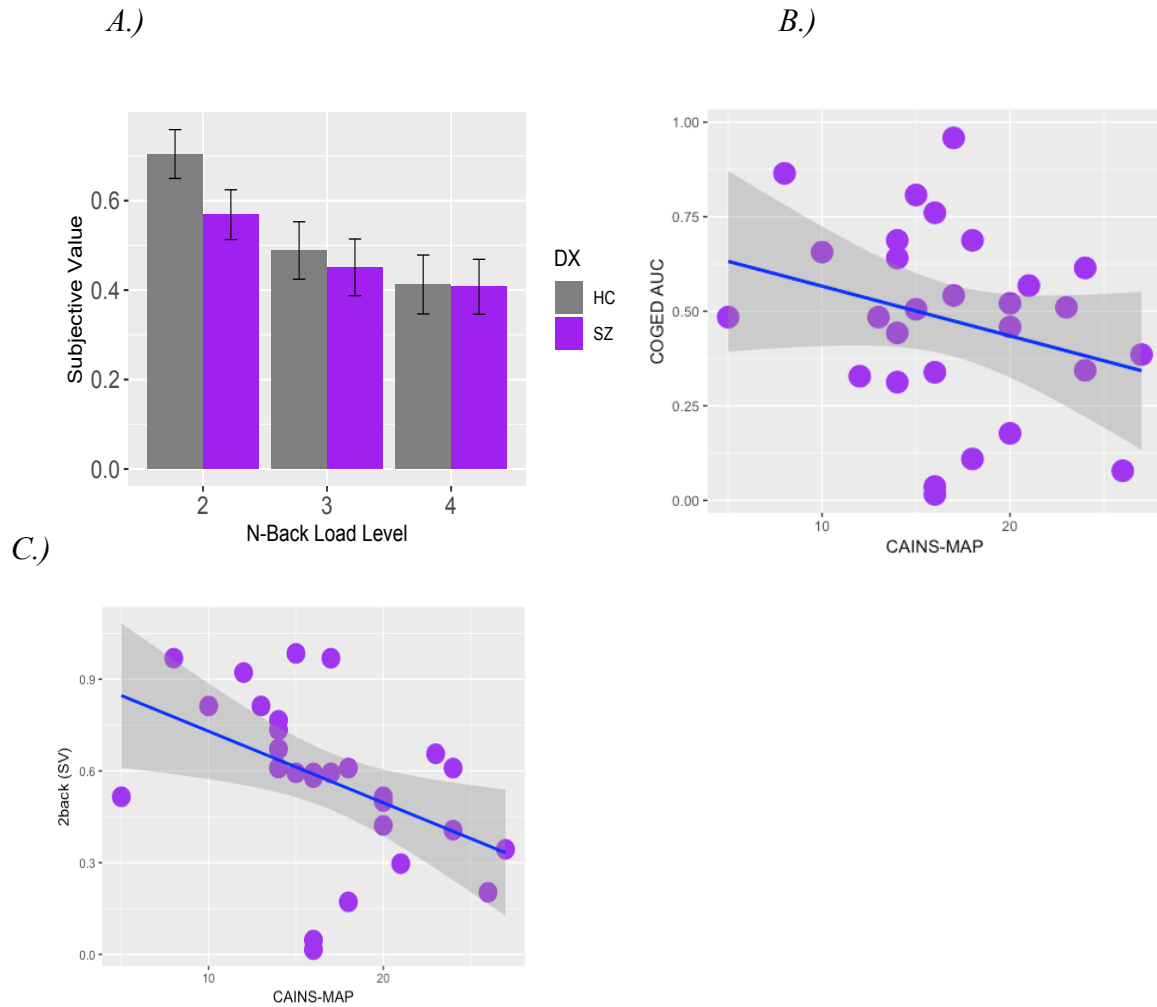


Figure 3.1: Cognitive Effort Discounting Behavioral Results: (Top Left): Subjective value decreased as cognitive demand increased, suggesting that the n-back is cognitively demanding and participants required more money to perform harder load levels. Critically, those with schizophrenia showed steeper discounting. They required more money to choose to engage with the harder task. (Top Right): Individuals with the greatest negative symptoms were the least willing to perform cognitively demanding tasks. (Bottom Left): Negative symptom effects were strongest during discounting of the 2-back, the load level with the most robust group differences.

In order to determine whether the severity of experiential negative symptoms (CAINS-MAP) predicted discounting behavior, we conducted a second hierarchical linear model

predicting subjective value for each task amount pair from n-back level, CAINS-MAP, and their interaction (Table 2B). Negative symptom severity negatively predicted subjective value, suggesting that willingness to expend effort was lowest in the high negative symptom patients. Scatterplots illustrating the relationship between negative symptoms and effort can be found in Figure 2B & 2C.

Table 3.2: HLMs Predicting Subjective Value

	Parameter	Estimate	Standard Error	t-value	p-value
A.)	N-back Level	-0.21	0.07	-3.22	0.002
	Group	-0.19	0.09	-2.05	0.04
	N-back Level x Group	0.07	0.04	1.56	0.12
B.)	Parameter	Estimate	Standard Error	t-value	p-value
	N-back Level	-0.25	0.1	-2.62	0.01
	CAINS-MAP	-0.03	0.01	-2.92	0.007
	N-back Level x CAINS-MAP	0.01	0.01	1.87	0.7
C.)	Parameter	Estimate	Standard Error	t-value	p-value
	N-back Level	-0.21	0.07	-3.22	>0.002
	Group	-0.16	0.09	-1.71	0.09
	D-prime	0.04	0.04	1	0.32
	N-back Level x Group	0.07	0.04	1.56	0.12
D.)	Parameter	Estimate	Standard Error	t-value	p-value
	N-back Level	-0.25	0.1	-2.61	0.01
	CAINS-MAP	-0.03	0.01	-2.61	0.01
	D-prime	0.12	0.04	2.67	0.01
	N-back Level x CAINS-MAP	0.01	0.01	1.87	0.07

Note: SD: CAINS MAP: Consensus Assessment Interview for Negative Symptoms Motivation and Pleasure Subscale.

3.2 Effect of Task Performance on Effort-Based Choice

We wanted to assess whether individuals with schizophrenia were less willing to engage in demanding task levels at least in part because they are worse at the task. Thus, we conducted two analyses that included average N-back performance across task levels (d-prime) as a predictor of subjective value in the models described above. In these models, diagnostic group was a trend-level predictor of subjective value, suggesting that cognitive impairment is likely a partial contributor to the diagnostic group differences seen in effort allocation (Table 2C). In contrast, negative symptom severity remained a significant predictor of subjective value even when controlling for task performance (Table 2D).

3.3 Relationship Between Effort and EMA

Finally, levels of interest and enjoyment with daily activities measured via EMA were not significantly predicted by willingness to expend effort on COGED (COGED-AUC) ($\beta = 0.53$, $standard\ error = 0.45$, $t\text{-value} = 1.18$, $p\text{-value} = 0.24$). However, prediction of interest and enjoyment in daily activities was trend-level significant for 2-back subjective value, where group differences are most robust ($\beta = 0.75$, $standard\ error = 0.40$, $t\text{-value} = 1.86$, $p\text{-value} = 0.08$).

3.4 Neuroimaging Results

3.4.1 Main Effect of Task Across Groups

Neuroimaging analyses focused on a contrast of putatively hard (e.g., \$2 for 3-back vs. \$1 for 1-back) compared to putatively easy (e.g., \$2 for 3-back vs. \$0 or \$2 for 1-back) decision-making trials. Across participants, BOLD activation in *a priori* ROIs located in cerebellar,

frontal, cingulate, parietal, and insular cortices was greater during decision-making of difficult compared to easy trials (Table 3.3), consistent with a previous report using a similar design with an identical contrast (Westbrook et al., 2018). Striatal ROIs did not show significant effects in this contrast (Table 3.3).

Table 3.3: Main Effect of Task: ROI Analysis:

Region	MNI Coordinates			voxels	Mean	SE	p-value
	X	Y	Z				
Left Parietal	-28	-66	22	5844	0.04	0.01	0.001
Left Cerebellum/Occipital	-40	-48	-36	3697	0.07	0.02	<0.001
Right Cerebellum/Occipital	38	-48	-36	3134	0.1	0.02	<0.001
Right Parietal	36	-70	16	2756	0.03	0.01	0.019
Cingulate Gyrus	12	20	24	1541	0.05	0.02	0.006
Left Thalamus	-16	-10	-14	739	0.03	0.01	0.067
Left Inferior Frontal Gyrus	-40	32	12	742	0.02	0.02	0.182
Right Thalamus	30	-28	-14	328	0.04	0.01	0.01
Left Inferior Frontal Gyrus	-52	44	-18	279	-0.05	0.03	0.059
Right Inferior Frontal Gyrus	54	8	10	287	0.05	0.01	0.001
Left Inferior Parietal	-66	-42	28	186	-0.06	0.01	<0.001
Right Inferior Frontal	50	40	10	156	0.01	0.02	0.769
Left Insula	-36	-4	4	141	0.03	0.01	0.032
Right Caudate Head					0.04	0.02	0.06
Left Caudate Head					0.03	0.02	0.067
Right Caudate Body					0.02	0.02	0.278
Left Caudate Body					0.01	0.02	0.563
Left Ventral Striatum					-0.005	0.02	0.79
Right Ventral Striatum					0.02	0.02	0.275

Follow-up whole-brain analyses revealed significant effects in similar regions when compared to ROI analyses. Specifically, posterior parietal/occipital cortex, middle cingulate cortex, posterior cingulate cortex, left postcentral gyrus, and left precuneus showed increased BOLD activation during difficult compared to easy decisions (Table 3.4). Increased BOLD

activation was found for dorsal striatum during putatively difficult compared to putatively easy decision-making trials, but this effect did not survive multiple comparison correction.

Table 3.4: Main Effect of Task: Whole Brain Analysis

Region	MNI Coordinates			Voxels	FDR p-value corrected
	X	Y	Z		
Left Posterior Parietal/Occipital	-46	-80	-6	2498	< 0.01
Right Posterior Parietal/Occipital	40	-82	-18	2175	< 0.01
Middle Cingulate Cortex	0	14	48	1034	0.02
Posterior Cingulate Cortex	8	-58	9	395	0.04
Left Post Central Gyrus	-34	-26	75	902	< 0.01
Left Precuneus	-26	-80	45	734	0.02

3.4.2 Diagnostic Group Differences

Diagnostic group differences in *a priori* ROIs were largely not significant when comparing putatively difficult to putatively easy decision-making trials (Table 3.5). While healthy controls showed greater BOLD activation on hard vs. easy trials compared to those with schizophrenia in the right inferior frontal gyrus, this effect was only marginally significant and did not survive multiple comparison correction. Follow-up whole brain analyses did not reveal significant differences between groups in the contrast of interest (hard vs. easy) when correcting for multiple comparisons.

Table 3.5: Diagnostic Group Differences (Hard – Easy Decisions)

Region	MNI Coordinates			Voxels	Control Group		Schizophrenia Group		p-value
	X	Y	Z		Mean	SEM	Mean	SEM	
Left Parietal	-28	-66	22	5844	0.07	0.02	0.02	0.01	0.066
Left Cerebellum/Occipital	-40	-48	-36	3697	0.1	0.02	0.05	0.03	0.229
Right Cerebellum/Occipital	38	-48	-36	3134	0.11	0.03	0.08	0.04	0.574
Right Parietal	36	-70	16	2756	0.05	0.02	0.01	0.02	0.144
Cingulate Gyrus	12	20	24	1541	0.07	0.03	0.02	0.02	0.101
Left Thalamus	-16	-10	-14	739	0.05	0.02	0	0.02	0.109
Left Inferior Frontal Gyrus	-40	32	12	742	0.03	0.02	0.01	0.02	0.347
Right Thalamus	30	-28	-14	328	0.05	0.02	0.03	0.02	0.471
Left Inferior Frontal Gyrus	-52	44	-18	279	-0.07	0.04	-0.02	0.03	0.283
Right Inferior Frontal Gyrus	54	8	10	287	0.07	0.02	0.02	0.01	0.04
Left Inferior Parietal	-66	-42	28	186	-0.05	0.02	-0.07	0.02	0.314
Right Inferior Frontal	50	40	10	156	0.03	0.04	-0.02	0.02	0.202
Left Insula	-36	-4	4	141	0.04	0.02	0.01	0.02	0.266
Right Caudate Head					0.04	0.03	0.03	0.03	0.727
Left Caudate Head					0.05	0.02	0.01	0.03	0.291
Right Caudate Body					0.03	0.03	0.01	0.02	0.572
Left Caudate Body					0.02	0.03	0	0.03	0.502
Left Ventral Striatum					-0.02	0.03	0.01	0.04	0.599
Right Ventral Striatum					0.02	0.02	0.02	0.03	0.862

*p-values are uncorrected.

3.4.3 Individual Differences

Negative symptoms severity in those with schizophrenia showed robust correlations with BOLD activation in both left ($r = -0.50$, $p\text{-value} = 0.006$) and right ($r = -0.54$, $p\text{-value} = 0.004$). ventral striatum during putatively difficult compared to putatively easy decisions (Figure 3; see Table 3.6 for correlations). Correlations remained significant after applying FDR correction. Specifically, high negative symptom patients showed decreases in BOLD activation for hard compared to easy decision trials, whereas low negative symptoms patients showed increases in BOLD activation. For the left ventral striatum, this effect was trend-level significant after an

outlier was removed ($r = -0.37$, p -value = 0.06). No other significant correlations were found between BOLD activation in *a priori* ROIs and negative symptom severity.

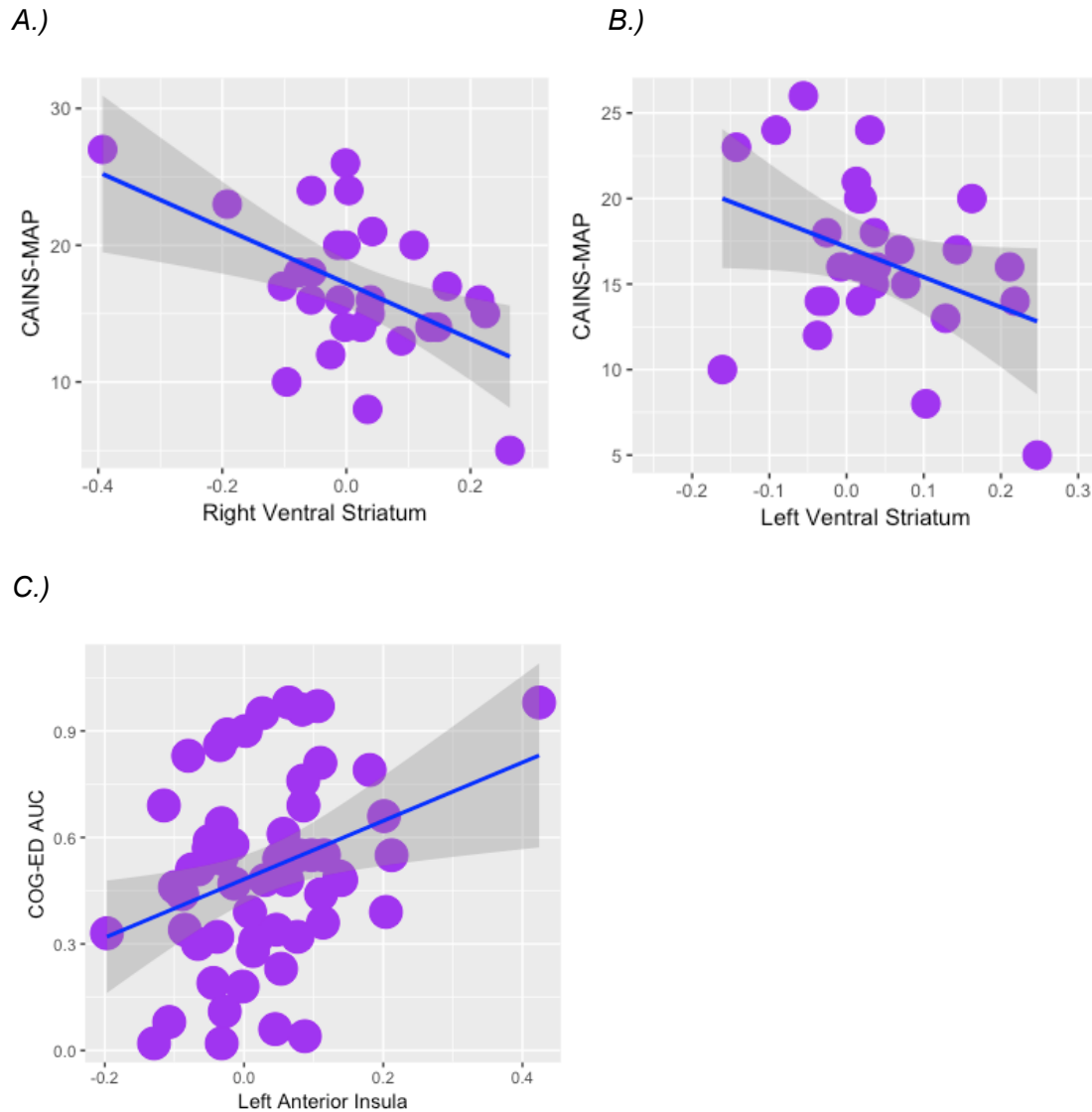


Figure 3.2: Scatterplots of ROI, Negative Symptom, and Willingness to Expend Effort: Bold activation in *a priori* ROIs decreased as negative symptoms (CAINS-MAP) increased. Further, BOLD activation in the left anterior insula increased as willingness to expend effort (COGED-AUC) increased.

Table 3.6: Individual Differences Relationships: BOLD Activation in ROIs and COGED-AUC and Negative Symptoms

Regions	MNI Coordinates			Voxels	AUC	CAINS-MAP
	X	Y	Z			
Left Parietal	-28	-66	22	5844	0.235	-0.209
Left Cerebellum/Occipital	-40	-48	-36	3697	0.071	-0.189
Right Cerebellum/Occipital	38	-48	-36	3134	0.082	0.011
Right Parietal	36	-70	16	2756	0.034	0.221
Cingulate Gyrus	12	20	24	1541	0.167	-0.299
Left Thalamus	-16	-10	-14	739	0.155	-0.254
Left Inferior Frontal Gyrus	-40	32	12	742	0.144	-0.339
Right Thalamus	30	-28	-14	328	0.096	-0.26
Left Interior Frontal Gyrus	-52	44	-18	279	0.128	-0.063
Right Inferior Frontal Gyrus	54	8	10	287	0.104	-0.118
Left Inferior Parietal	-66	-42	28	186	0.009	-0.153
Right Inferior Frontal	50	40	10	156	-0.099	0.035
Left Insula	-36	-4	4	141	.327*	-0.184
Right Caudate Head					-0.009	-0.086
Left Caudate Head					0.085	-0.365
Right Caudate Body					0.145	-0.2
Left Caudate Body					0.207	-0.338
Left Ventral Striatum					0.077	-.504**
Right Ventral Striatum					0.202	-.524**

Correlations between COGED discounting (area under the curve) and BOLD activation for the contrast of hard vs. easy trials in *a priori* ROIs was also examined. Here, a positive correlation was found between the left anterior insula and discounting behavior (Figure 3C,

however this correlation did not survive multiple comparison correction (Table 3.6). No other significant correlations were found between BOLD activation in *a priori* ROIs and negative symptom severity. No significant correlations were observed between EMA variables and BOLD activation in *a priori* ROIs.

Chapter 4: Discussion

The goal of the current study was to examine effort-based decision-making in those with schizophrenia. Behaviorally, we found that individuals with schizophrenia were less willing than healthy controls to exert effort to obtain monetary rewards. Further, we observed that willingness to expend effort was associated with negative symptom severity, such that high negative symptom patients were least willing to exert effort for monetary rewards, even when controlling for task performance. Regarding neural correlates, we observed increased BOLD activation of frontal, parietal, cingulate, and insular regions during hard compared to easy trials across participants. Contrary to our hypotheses, we observed similar patterns of BOLD activation in both SZ and HC groups during effort-based choice. However, negative symptom severity in those with schizophrenia was significantly associated with reduced BOLD activation in bilateral ventral striatum during decision-making, and greater discounting was associated with greater anterior insula activity, although this effect did not survive FDR correction. These findings are discussed in further detail below.

4.1 Consistency of Current Findings with Prior Literature

The findings of the current study are consistent with previous literature demonstrating decreased willingness of those with schizophrenia to expend effort for monetary rewards (Barch et al., 2014; Culbreth et al., 2016; Fervaha et al., 2013; Gold et al., 2013; Huang et al., 2016; McCarthy et al., 2016; Reddy et al., 2015; Treadway et al., 2015; Wang et al., 2015; Wolf et al., 2014). Also consistent with several previous reports (Barch et al., 2014; Culbreth et al., 2016; Gold et al., 2013; Hartmann et al., 2015; Horan et al., 2015; Moran et al., 2017; Strauss et al.,

2016; Treadway, Bossaller, et al., 2012; Wang et al., 2015; Wolf et al., 2014), we found that negative symptoms were associated with effort exertion, such that greater negative symptom severity was associated with a decreased willingness to exert effort. In addition to measuring negative symptoms with traditional clinical interviews, we also measured negative symptoms using an ecological momentary assessment approach, asking individuals with schizophrenia to self-report their interest and enjoyment with daily activities using a smartphone. Using a similar approach, our lab previously (Moran et al., 2017) found that people with schizophrenia who demonstrated the least willingness to exert physical effort on an experimental task also reported the least interest and enjoyment with their daily activities. Although the associations between cognitive effort-based decision-making and EMA variables in the current report were not as robust as in our prior work, we did observe a trend-level positive association. Limited power due to lower sample size may have contributed to non-significant findings in the current report.

Similar to a previous report using a similar design (Westbrook et al., 2018), across participants, we observed increased BOLD activation in frontal, cingulate, parietal, and insular regions for hard compared to easy decision-making trials. Contrary to expectations, we did not observe significant effects in striatal regions for our overall contrast of hard compared to easy decisions. Several previous reports have found BOLD activation in ventral and/or dorsal striatum, which varies as a function of effort during valuation and decision-making (Croxson et al., 2009; Kurniawan, Guitart-Masip, Dayan, & Dolan, 2013; Kurniawan et al., 2010; Leotti & Delgado, 2011; Schmidt et al., 2012). Thus, the lack of robust BOLD activation in the striatum for the present contrast is surprising.

4.2 Surprising Findings

Contrary to our hypotheses, we observed similar patterns of BOLD activation for both HC and SZ groups for our contrast of hard compared to easy trials. These results are inconsistent with a recent report (Huang et al., 2016) that found blunted reward-related BOLD activation of dorsal and ventral striatum in schizophrenia participants as a group compared to healthy controls during effort-based decision-making. However, Park et al., found largely similar patterns of BOLD activation between individuals with schizophrenia and healthy controls during estimation of effortful options (Park et al., 2017). Aspects of the current experimental design may have limited our ability to observe strong group differences. Specifically, decision-making trials in our neuroimaging design were administered in a subject-specific manner, based on the individual participant's indifference points derived during the behavioral portion of COGED. Thus, each participant received different trials based on their own willingness to expend effort. Thus, we did not have the same trial combinations in all participants. In future work, it would be important to include some standard trial types across participants to determine if more evidence of neural alterations emerge at the group level with comparisons well-suited to elicit group differences.

In regards to individual differences, we did observe robust correlations between negative symptom severity and BOLD activation in bilateral ventral striatum, as well as a positive association between willingness to expend effort and BOLD activation in the anterior insula, although at a nominal level of significance. The current striatal finding is consistent with previous work (Wolf et al., 2014) that demonstrated an association between willingness to expend effort and ventral striatal BOLD activation on a reward-processing task in those with schizophrenia. Further, the correlations observed in the current report are consistent with several

previous reports that examined aspects of value-based decision-making and found blunting of VS BOLD activation related to increased negative symptom severity in those with schizophrenia (Simon et al., 2010; Waltz et al., 2013; Waltz et al., 2010). Interestingly, in these studies, while associations were found between VS BOLD activation and negative symptom severity, group differences in the VS between controls and those with schizophrenia were non-significant, similar to the current report.

4.3 Future Directions

Future work could extend the current findings in several directions. First, while multiple studies have examined effort-based decision-making in schizophrenia (Culbreth et al., 2017; Gold, Waltz, & Frank, 2015a; Green et al., 2015), work has been limited to medicated patients in the chronic phase of illness. An important direction for future research remains in assessing individuals in earlier phases of illness, as well as anti-psychotic naïve individuals. Research including such patient groups will help to establish the potentially confounding role of anti-psychotic medications in effort-based decision-making deficits in schizophrenia, as well as help to determine whether effort-based decision-making impairments are present across illness course. Second, impairments in effort-based decision-making have also been found in other psychiatric disorders (e.g., major depressive disorder) (Cléry-Melin et al., 2011; Hershenberg et al., 2016; Sherdell, Waugh, & Gotlib, 2012; Treadway, Bossaller, et al., 2012; Yang et al., 2016; Yang et al., 2014). However, it remains unknown whether similar behavioral effort-based decision-making impairments across these disorders involve similar or disparate psychological and neural mechanisms (Culbreth et al., 2017). Transdiagnostic samples are necessary to determining such mechanistic questions, which could have important implications for

development of novel intervention strategies to alleviate effort-based decision-making impairments. Finally, although effort-based decision-making impairments appear to be a robust deficit in those with schizophrenia, little work has suggested potential treatment approaches for improving effort expenditure. While future work is needed to better characterize the mechanisms that might give rise to aberrant effort-based decision-making in order to guide mechanistically-informed intervention, several promising interventions exist that could yield beneficial effects. For example, individuals with schizophrenia may show decreased willingness to expend effort, in part, due to negative beliefs about their ability to successfully perform actions (Grant & Beck, 2008; Reddy et al., 2017), and such beliefs can be successfully targeted with cognitive behavioral therapy (Grant & Beck, 2008).

4.4 Limitations

The current study had several limitations. First, the sample size was modest and included individuals with schizophrenia primarily in the chronic phase of illness. Future work will be needed to replicate and extend the current findings in a larger sample. Further, it remains an open question in the literature whether aberrant effort-based decision-making differs across illness course in those with schizophrenia. Second, we did not collect EMA measures in our healthy control group and this prohibits examination of more normative patterns of enjoyment/interest in daily activities. However, while such normative patterns are important, they were not necessary to the aims of the current analyses. Third, many of the participants with schizophrenia were taking anti-psychotic medications at the time of study completion, which may have influenced choice behavior due to influence on dopamine systems.

4.5 Conclusion

In conclusion, the current study provides replication of previous work suggesting decreased willingness of those with schizophrenia to exert effort to obtain monetary rewards. Further, we showed that this behavioral deficit varies as a function of negative symptom severity, and that negative symptom severity in patients is closely associated with hypoactivation of ventral striatum during effort-based choice. Future studies are needed to further examine the neural correlates of effort-based decision-making in schizophrenia in larger samples, as well as to assess patients at various phases of illness. In addition, it will be important to further examine the psychological and neural mechanisms of effort-based decision-making in order to guide development of novel interventions

Chapter 5: References

- Barch, D. M., & Dowd, E. C. (2010). Goal representations and motivational drive in schizophrenia: the role of prefrontal–striatal interactions. *Schizophrenia Bulletin*, 36(5), 919-934.
- Barch, D. M., Treadway, M. T., & Schoen, N. (2014). Effort, anhedonia, and function in schizophrenia: Reduced effort allocation predicts amotivation and functional impairment. *Journal of Abnormal Psychology*, 123(2), 387-397.
- Bartra, O., McGuire, J. T., & Kable, J. W. (2013). The valuation system: a coordinate-based meta-analysis of BOLD fMRI experiments examining neural correlates of subjective value. *Neuroimage*, 76, 412-427.
- Benjamini, Y., & Hochberg, Y. (2000). On the adaptive control of the false discovery rate in multiple testing with independent statistics. *Journal of Educational and Behavioral Statistics*, 25(1), 60-83.
- Chong, T. T.-J., Apps, M., Giehl, K., Sillence, A., Grima, L. L., & Husain, M. (2017). Neurocomputational mechanisms underlying subjective valuation of effort costs. *PLoS Biology*, 15(2), e1002598.
- Cléry-Melin, M.-L., Schmidt, L., Lafargue, G., Baup, N., Fossati, P., & Pessiglione, M. (2011). Why don't you try harder? An investigation of effort production in major depression. *PloS One*, 6(8), e23178.
- Cox, R. W., Chen, G., Glen, D. R., Reynolds, R. C., & Taylor, P. A. (2017). FMRI clustering in AFNI: false-positive rates redux. *Brain Connectivity*, 7(3), 152-171.

- Crosson, P. L., Walton, M. E., O'Reilly, J. X., Behrens, T. E., & Rushworth, M. F. (2009). Effort-based cost–benefit valuation and the human brain. *The Journal of Neuroscience*, 29(14), 4531-4541.
- Culbreth, A., Moran, E., & Barch, D. (2017). Effort-cost decision-making in psychosis and depression: could a similar behavioral deficit arise from disparate psychological and neural mechanisms? *Psychological Medicine*, 1-16.
- Culbreth, A., Westbrook, A., & Barch, D. (2016). Negative symptoms are associated with an increased subjective cost of cognitive effort. *Journal of Abnormal Psychology*, 125(4), 528-536.
- Docx, L., de la Asuncion, J., Sabbe, B., Hoste, L., Baeten, R., Warnaerts, N., & Morrens, M. (2015). Effort discounting and its association with negative symptoms in schizophrenia. *Cognitive Neuropsychiatry*, 20(2), 172-185.
- Fervaha, G., Duncan, M., Foussias, G., Agid, O., Faulkner, G. E., & Remington, G. (2015). Effort-based decision making as an objective paradigm for the assessment of motivational deficits in schizophrenia. *Schizophrenia Research*, 168(1), 483-490.
- Fervaha, G., Graff-Guerrero, A., Zakzanis, K. K., Foussias, G., Agid, O., & Remington, G. (2013). Incentive motivation deficits in schizophrenia reflect effort computation impairments during cost-benefit decision-making. *Journal of Psychiatric Research*, 47(11), 1590-1596.
- First, M. B., Spitzer, R. L., Gibbon, M., & Williams, J. B. (2001). Structured Clinical Interview for DSM-IV-TR Axis I Disorders—Patient Edition (SCID-I/P. 2/2001 Revision). *New York: Biometrics Research Department, New York State Psychiatric Institute.*

- Floresco, S. B., & Ghods-Sharifi, S. (2007). Amygdala-prefrontal cortical circuitry regulates effort-based decision making. *Cerebral Cortex*, *17*(2), 251-260.
- Floresco, S. B., Onge, J. R. S., Ghods-Sharifi, S., & Winstanley, C. A. (2008). Cortico-limbic-striatal circuits subserving different forms of cost-benefit decision making. *Cognitive, Affective, & Behavioral Neuroscience*, *8*(4), 375-389.
- Glasser, M. F., Sotiropoulos, S. N., Wilson, J. A., Coalson, T. S., Fischl, B., Andersson, J. L., . . . Polimeni, J. R. (2013). The minimal preprocessing pipelines for the Human Connectome Project. *Neuroimage*, *80*, 105-124.
- Gold, J. M., Kool, W., Botvinick, M. M., Hubzin, L., August, S., & Waltz, J. A. (2014). Cognitive effort avoidance and detection in people with schizophrenia. *Cognitive, Affective, & Behavioral Neuroscience*, *15*(1), 145-154.
- Gold, J. M., Strauss, G. P., Waltz, J. A., Robinson, B. M., Brown, J. K., & Frank, M. J. (2013). Negative symptoms of schizophrenia are associated with abnormal effort-cost computations. *Biological Psychiatry*, *74*(2), 130-136.
- Gold, J. M., Waltz, J. A., & Frank, M. J. (2015a). Effort Cost Computation in Schizophrenia: A commentary on the Recent Literature. *Biological Psychiatry*.
- Gold, J. M., Waltz, J. A., Prentice, K. J., Morris, S. E., & Heerey, E. A. (2008). Reward processing in schizophrenia: a deficit in the representation of value. *Schizophrenia Bulletin*, *34*(5), 835-847.
- Grant, P. M., & Beck, A. T. (2008). Defeatist beliefs as a mediator of cognitive impairment, negative symptoms, and functioning in schizophrenia. *Schizophrenia Bulletin*, *35*(4), 798-806.

- Green, M. F., Horan, W. P., Barch, D. M., & Gold, J. M. (2015). Effort-Based Decision Making: A Novel Approach for Assessing Motivation in Schizophrenia. *Schizophrenia Bulletin*, sbv071.
- Hartmann, M. N., Hager, O. M., Reimann, A. V., Chumbley, J. R., Kirschner, M., Seifritz, E., . . . Kaiser, S. (2015). Apathy but not diminished expression in schizophrenia is associated with discounting of monetary rewards by physical effort. *Schizophrenia Bulletin*, 41(2), 503-512.
- Hershenberg, R., Satterthwaite, T. D., Daldal, A., Katchmar, N., Moore, T. M., Kable, J. W., & Wolf, D. H. (2016). Diminished effort on a progressive ratio task in both unipolar and bipolar depression. *Journal of Affective Disorders*, 196, 97-100.
- Horan, W. P., Kring, A. M., Gur, R. E., Reise, S. P., & Blanchard, J. J. (2011). Development and psychometric validation of the Clinical Assessment Interview for Negative Symptoms (CAINS). *Schizophrenia Research*, 132(2), 140-145.
- Horan, W. P., Reddy, L. F., Barch, D. M., Buchanan, R. W., Dunayevich, E., Gold, J. M., . . . Green, M. F. (2015). Effort-Based Decision-Making Paradigms for Clinical Trials in Schizophrenia: Part 2—External Validity and Correlates. *Schizophrenia Bulletin*, sbv090.
- Hosking, J. G., Cocker, P. J., & Winstanley, C. A. (2014). Dissociable contributions of anterior cingulate cortex and basolateral amygdala on a rodent cost/benefit decision-making task of cognitive effort. *Neuropsychopharmacology*, 39(7), 1558-1567.
- Huang, J., Yang, X.-h., Lan, Y., Zhu, C.-y., Liu, X.-q., Wang, Y.-f., . . . Chan, R. C. (2016). Neural substrates of the impaired effort expenditure decision making in schizophrenia. *Neuropsychology*, 30(6), 685.

- Kring, A. M., Gur, R. E., Blanchard, J. J., Horan, W. P., & Reise, S. P. (2013). The clinical assessment interview for negative symptoms (CAINS): final development and validation. *American Journal of Psychiatry, 170*(2), 165-172.
- Kring, A. M., & Moran, E. K. (2008). Emotional response deficits in schizophrenia: insights from affective science. *Schizophrenia Bulletin, 34*(5), 819-834.
- Kurniawan, I. T., Guitart-Masip, M., Dayan, P., & Dolan, R. J. (2013). Effort and valuation in the brain: the effects of anticipation and execution. *Journal of Neuroscience, 33*(14), 6160-6169.
- Kurniawan, I. T., Seymour, B., Talmi, D., Yoshida, W., Chater, N., & Dolan, R. J. (2010). Choosing to make an effort: the role of striatum in signaling physical effort of a chosen action. *Journal of Neurophysiology, 104*(1), 313-321.
- Leotti, L. A., & Delgado, M. R. (2011). The inherent reward of choice. *Psychological Science.*
- Levy, D. J., & Glimcher, P. W. (2012). The root of all value: a neural common currency for choice. *Current Opinion in Neurobiology, 22*(6), 1027-1038.
- Massar, S. A., Libedinsky, C., Weiyan, C., Huettel, S. A., & Chee, M. W. (2015). Separate and overlapping brain areas encode subjective value during delay and effort discounting. *Neuroimage, 120*, 104-113.
- McCarthy, J. M., Treadway, M. T., Bennett, M. E., & Blanchard, J. J. (2016). Inefficient effort allocation and negative symptoms in individuals with schizophrenia. *Schizophrenia Research, 170*(2), 278-284.
- Milev, P., Ho, B.-C., Arndt, S., & Andreasen, N. C. (2005). Predictive values of neurocognition and negative symptoms on functional outcome in schizophrenia: a longitudinal first-episode study with 7-year follow-up. *American Journal of Psychiatry, 162*(3), 495-506.

- Moran, E. K., Culbreth, A. J., & Barch, D. M. (2017). Ecological momentary assessment of negative symptoms in schizophrenia: Relationships to effort-based decision making and reinforcement learning. *Journal of Abnormal Psychology, 126*(1), 96.
- Park, I. H., Lee, B. C., Kim, J.-J., Kim, J. I., & Koo, M.-S. (2017). Effort-based reinforcement processing and functional connectivity underlying amotivation in medicated patients with depression and schizophrenia. *Journal of Neuroscience, 37*(16), 4370-4380.
- Reddy, L. F., Horan, W. P., Barch, D. M., Buchanan, R. W., Dunayevich, E., Gold, J. M., . . . Wynn, J. K. (2015). Effort-Based Decision-Making Paradigms for Clinical Trials in Schizophrenia: Part 1—Psychometric Characteristics of 5 Paradigms. *Schizophrenia bulletin*, sbv089.
- Reddy, L. F., Horan, W. P., Barch, D. M., Buchanan, R. W., Gold, J. M., Marder, S. R., . . . Green, M. F. (2017). Understanding the Association Between Negative Symptoms and Performance on Effort-Based Decision-Making Tasks: The Importance of Defeatist Performance Beliefs. *Schizophrenia Bulletin*.
- Salamone, J., Wisniecki, A., Carlson, B., & Correa, M. (2001). Nucleus accumbens dopamine depletions make animals highly sensitive to high fixed ratio requirements but do not impair primary food reinforcement. *Neuroscience, 105*(4), 863-870.
- Salamone, J. D., Koychev, I., Correa, M., & McGuire, P. (2015). Neurobiological basis of motivational deficits in psychopathology. *European Neuropsychopharmacology, 25*(8), 1225-1238.
- Schlagenhauf, F., Huys, Q. J., Deserno, L., Rapp, M. A., Beck, A., Heinze, H.-J., . . . Heinz, A. (2014). Striatal dysfunction during reversal learning in unmedicated schizophrenia patients. *Neuroimage, 89*, 171-180.

- Schmidt, L., Lebreton, M., Cléry-Melin, M.-L., Daunizeau, J., & Pessiglione, M. (2012). Neural mechanisms underlying motivation of mental versus physical effort. *PLoS Biology*, *10*(2), e1001266.
- Serper, M., Payne, E., Dill, C., Portillo, C., & Taliercio, J. (2017). Allocating effort in schizophrenia: Relation to negative symptoms, working memory, reward anticipation and real world functioning. *European Psychiatry*.
- Sherdell, L., Waugh, C. E., & Gotlib, I. H. (2012). Anticipatory pleasure predicts motivation for reward in major depression. *Journal of Abnormal Psychology*, *121*(1), 51.
- Simon, J. J., Biller, A., Walther, S., Roesch-Ely, D., Stippich, C., Weisbrod, M., & Kaiser, S. (2010). Neural correlates of reward processing in schizophrenia—relationship to apathy and depression. *Schizophrenia Research*, *118*(1), 154-161.
- Snow, J., & Mann, M. (2013). Qualtrics survey software: handbook for research professionals. *Obtenido de <http://www.qualtrics.com>.*
- Strauss, G. P., Whearty, K. M., Morra, L. F., Sullivan, S. K., Ossenfort, K. L., & Frost, K. H. (2016). Avolition in schizophrenia is associated with reduced willingness to expend effort for reward on a Progressive Ratio task. *Schizophrenia Research*, *170*(1), 198-204.
- Treadway, M. T., Bossaller, N. A., Shelton, R. C., & Zald, D. H. (2012). Effort-based decision-making in major depressive disorder: a translational model of motivational anhedonia. *Journal of Abnormal Psychology*, *121*(3), 553.
- Treadway, M. T., Buckholtz, J. W., Cowan, R. L., Woodward, N. D., Li, R., Ansari, M. S., . . . Zald, D. H. (2012). Dopaminergic mechanisms of individual differences in human effort-based decision-making. *The Journal of Neuroscience*, *32*(18), 6170-6176.

- Treadway, M. T., Peterman, J. S., Zald, D. H., & Park, S. (2015). Impaired effort allocation in patients with schizophrenia. *Schizophrenia Research, 161*(2), 382-385.
- Waltz, J. A., Kasanova, Z., Ross, T. J., Salmeron, B. J., McMahon, R. P., Gold, J. M., & Stein, E. A. (2013). The roles of reward, default, and executive control networks in set-shifting impairments in schizophrenia. *PloS One, 8*(2), e57257.
- Waltz, J. A., Schweitzer, J. B., Ross, T. J., Kurup, P. K., Salmeron, B. J., Rose, E. J., . . . Stein, E. A. (2010). Abnormal responses to monetary outcomes in cortex, but not in the basal ganglia, in schizophrenia. *Neuropsychopharmacology, 35*(12), 2427-2439.
- Wang, J., Huang, J., Yang, X.-h., Lui, S. S., Cheung, E. F., & Chan, R. C. (2015). Anhedonia in schizophrenia: Deficits in both motivation and hedonic capacity. *Schizophrenia Research, 168*(1), 465-474.
- Wechsler, D. (2001). *Wechsler Test of Adult Reading: WTAR*: Psychological Corporation.
- Westbrook, A., Kester, D., & Braver, T. S. (2013). What is the subjective cost of cognitive effort? Load, trait, and aging effects revealed by economic preference. *PLoS One, 8*(7), e68210.
- Westbrook, A., Lamichhane, B., & Braver, T. (2018). The Subjective Value of Cognitive Effort is Encoded by a Domain-General Valuation Network. *bioRxiv, 391805*.
doi:10.1101/391805
- Westbrook, A., Lamichhane, B., & Braver, T. (2019). The Subjective Value of Cognitive Effort is Encoded by a Domain-General Valuation Network. *Journal of Neuroscience, 30*71-3018.

- Wolf, D. H., Satterthwaite, T. D., Kantrowitz, J. J., Katchmar, N., Vandekar, L., Elliott, M. A., & Ruparel, K. (2014). Amotivation in schizophrenia: integrated assessment with behavioral, clinical, and imaging measures. *Schizophrenia Bulletin*, *40*(6), 1328-1337.
- Yang, X.-h., Huang, J., Lan, Y., Zhu, C.-y., Liu, X.-q., Wang, Y.-f., . . . Chan, R. C. (2016). Diminished caudate and superior temporal gyrus responses to effort-based decision making in patients with first-episode major depressive disorder. *Progress in Neuro-Psychopharmacology and Biological Psychiatry*, *64*, 52-59.
- Yang, X.-h., Huang, J., Zhu, C.-y., Wang, Y.-f., Cheung, E. F., Chan, R. C., & Xie, G.-r. (2014). Motivational deficits in effort-based decision making in individuals with subsyndromal depression, first-episode and remitted depression patients. *Psychiatry Research*, *220*(3), 874-882.