



New laser polarization line at the ISOLDE facility

Kowalska, M.; Aschenbrenner, P.; Baranowski, M.; Bissell, Mark L.; Gins, W.; Harding, R. D.; Heylen, H.; Neyens, G.; Pallada, Stavroula; Severijns, N.; Velten, Ph; Walczak, M.; Wienholtz, F.; Xu, Z. Y.; Yang, X. F.; Zakoucky, D.

Published in:

Journal of Physics G: Nuclear and Particle Physics

DOI:

[10.1088/1361-6471/aa77d7](https://doi.org/10.1088/1361-6471/aa77d7)

Publication date:

2017

Document version

Publisher's PDF, also known as Version of record

Citation for published version (APA):

Kowalska, M., Aschenbrenner, P., Baranowski, M., Bissell, M. L., Gins, W., Harding, R. D., ... Zakoucky, D. (2017). New laser polarization line at the ISOLDE facility. *Journal of Physics G: Nuclear and Particle Physics*, 44(8), [084005]. <https://doi.org/10.1088/1361-6471/aa77d7>

PAPER • OPEN ACCESS

New laser polarization line at the ISOLDE facility

To cite this article: M Kowalska *et al* 2017 *J. Phys. G: Nucl. Part. Phys.* **44** 084005

View the [article online](#) for updates and enhancements.

Related content

- [TDPAC and -NMR applications in chemistry and biochemistry](#)
Attila Jancso, Joao G Correia, Alexander Gottberg *et al.*
- [Weak interaction physics at ISOLDE](#)
N Severijns and B Blank
- [Collinear laser spectroscopy at ISOLDE: new methods and highlights](#)
R Neugart, J Billowes, M L Bissell *et al.*

Recent citations

- [A new beamline for laser spin-polarization at ISOLDE](#)
W. Gins *et al*
- [Direct observation of Mg²⁺ complexes in ionic liquid solutions by ³¹Mg -NMR spectroscopy](#)
Daniel Szunyogh *et al*
- [Precision Laser Spectroscopy Technique for Exotic Radioactive Beams at CERN-ISOLDE](#)
Xiaofei Yang and the COLLAPS and CRIS collaboration



IOP Astronomy ebooks

Part of your publishing universe and your first choice for astronomy, astrophysics, solar physics and planetary science ebooks.

iopscience.org/books/aas

New laser polarization line at the ISOLDE facility*

M Kowalska¹ , P Aschenbrenner¹ , M Baranowski²,
M L Bissell³, W Gins⁴, R D Harding⁵, H Heylen⁶, G Neyens⁴,
S Pallada^{1,7,8}, N Severijns⁴, Ph Velten⁴, M Walczak⁹,
F Wienholtz¹ , Z Y Xu⁴, X F Yang⁴ and D Zakoucky¹⁰

¹ EP-Dept, CERN, Geneva, Switzerland

² Faculty of Physics, Adam Mickiewicz University, Poznan, Poland

³ School of Physics and Astronomy, University of Manchester, Manchester, United Kingdom

⁴ IKS, KU Leuven, Leuven, Belgium

⁵ University of York, York, United Kingdom

⁶ MPIK, Heidelberg, Germany

⁷ Department of Chemistry, University of Copenhagen, Copenhagen, Denmark

⁸ Department of Medicine, Democritus University of Thrace, Alexandroupoli, Greece

⁹ Poznan University of Technology, Poznan, Poland

¹⁰ NPI, Czech Academy of Sciences, Rez, Czech Republic

E-mail: kowalska@cern.ch

Received 30 November 2016, revised 16 May 2017

Accepted for publication 7 June 2017

Published 30 June 2017



CrossMark

Abstract

Following a growing interest in spin-polarized beams of radioactive ions, a new laser spin-polarization setup has been installed at the ISOLDE facility at CERN. The setup is located at the VITO beamline which aims to bring together several experimental techniques using polarized ions allowing for studies in nuclear physics, fundamental interactions, material and life sciences. Intensive design work, which took place in 2016, allowed the installation of the first stage of the polarization line. With this experimental setup, the ion beam can be neutralized, polarized and implanted into a solid sample inside an electromagnet which also hosts β -detectors, where the degree of nuclear spin polarization can be measured. In autumn 2016 the setup was commissioned using short-lived ^{26}Na and ^{28}Na beams which were polarized in the D2 line from their atomic ground state. The previously observed degrees of β asymmetry were reproduced and thus the beamline is now ready for the first physics experiments with spin-polarized radioactive beams.

* This article belongs to the Focus on Exotic Beams at ISOLDE: A Laboratory Portrait special issue.



Keywords: spin-polarized beam, optical pumping, radioactive-ion beam, beta-decay asymmetry

(Some figures may appear in colour only in the online journal)

1. Introduction

Spin-polarized beams of radioactive nuclei can be of interest for studies in a range of fields, including nuclear structure, fundamental interactions, material science and life sciences. This is the motivation behind a recent initiative to build a permanent ISOLDE beamline, named VITO for versatile ion-polarized techniques online, as described in [R⁺15]. Within this initiative, the first stage of the laser polarization line was just completed. The experimental setup allows one to polarize the radioactive ions and atoms of interest via optical pumping with lasers, to determine their β -decay asymmetry, and in addition to use these beams for β -detected nuclear magnetic resonance (β -NMR). This experimental setup has been commissioned in autumn 2016 using short-lived ^{26}Na and ^{28}Na , which had previously shown large β -decay asymmetries as demonstrated at the COLLAPS setup at ISOLDE [KGK⁺00].

In this contribution we will first briefly describe our technique to achieve nuclear spin polarization through optical pumping with laser light and the way to detect it. We will then present the recently designed VITO laser polarization setup, concentrating on the commissioning experiment, which took place in autumn 2016 using short-lived ^{26}Na and ^{28}Na beams. We will conclude this contribution by the short- and medium-term plans for the beamline and will mention some of the planned experiments.

2. Optical pumping and β -decay asymmetry

Detection of nuclear magnetic resonances via β -decay asymmetry requires an ensemble of short-lived nuclei which are polarized, i.e. their spins point in a preferential direction in space. The formula for spin polarization takes the form of $P = \langle m_I \rangle / I$, where I is the nuclear spin and m_I is the projection of the nuclear spin on the quantization axis (which can be defined e.g. by a magnetic field).

Spin polarization via optical pumping relies on multiple resonant excitations of the ion or atom by circularly polarized laser light, in order to polarize the atomic spins F ($F = I + J$, J being the electron spin). During subsequent resonant ion/atom-laser excitations and spontaneous decays, the photon angular momentum is transferred to the atomic electrons, as shown in figure 1 on the example of the $|F = 3/2\rangle \rightarrow |F' = 5/2\rangle$ component of the D2 line in ^{28}Na . The light polarizes the total atomic angular momenta F by inducing transitions between the m_F magnetic sub-levels of the ground-state and excited-state hyperfine multiplets. As a result, the ion/atom is predominantly in the ground-state sub-level with maximum $m_F = +F$ if σ^+ light polarization is used (i.e. the photon's spin orientation compared to the magnetic field direction is such that it triggers transitions with $\Delta m_F = +1$), or in the minimum $m_F = -F$ for σ^- polarization (the photon's spin orientation compared to the magnetic field direction is such that it triggers transitions with $\Delta m_F = -1$). The theoretical 100% polarization is lowered due to the so-called hyperfine pumping, in which the excited state decays to the other ground-state F -level, which cannot be excited by the same laser frequency.

Due to the hyperfine interaction between the electron spin and the spin of the nucleus in free atoms (or ions), polarization of the atomic spins results also in the polarization of the nuclear spins, with the polarization axis along the laser beam axis [KY⁺08]. The observed nuclear polarization is reached after the adiabatic decoupling of the spins in a gradually

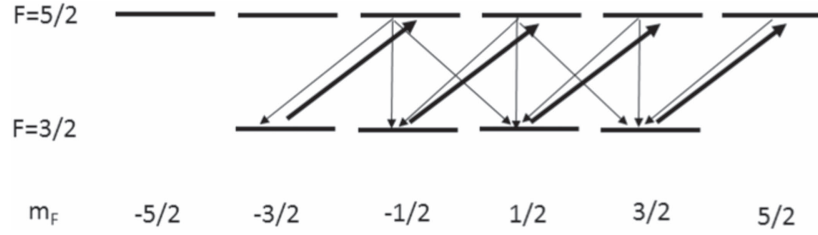


Figure 1. Atomic spin polarization via optical pumping with $\sigma+$ light on the example of $|F = 3/2\rangle \rightarrow |F' = 5/2\rangle$ component of the D2 line in ^{28}Na . $\sigma+$ circularly polarized light induces transitions with $\Delta m_F = +1$. Because the de-excitation can take place for $\Delta m_F = -1, 0, +1$, after several excitation-decay cycles the lower state with $m_F = +F$ will be mostly populated and the atomic spin will be polarized.

increasing static magnetic field. This strong field (typically between a few 100 and a few 1000 Gauss) is used to maintain the nuclear spin polarization after the ions/atoms are implanted into a host material, where their spin polarization can be observed via the asymmetry in their β decay.

Due to parity violation of the weak interaction, the emission of β particles from spin-polarized nuclei is anisotropic with respect to the polarization symmetry axis. The angular distribution for an allowed β decay is given by [NN06]:

$$W_\beta = 1 + a_\beta v/c P_I \cos \theta. \quad (1)$$

Here a_β is the asymmetry parameter specific to the spin change in the decay of the probe nucleus, θ is the angle between the direction of β particle emission and nuclear spin (and the magnetic field as the polarization axis), and v is the velocity of the β particle. What is observed directly in the experiment, is the β -decay asymmetry A_{exp} , which is defined as the normalized difference in the number of beta particles detected parallel and antiparallel to the magnetic field direction, $A_{\text{exp}} = (N_0 - N_{180})/(N_0 + N_{180})$. Because the β detectors have a certain opening angle 2α , the above A_{exp} can be connected to the polarization via [Kei96]

$$A_{\text{exp}} = 1/2 a_\beta v/c P_I (1 + \cos \alpha). \quad (2)$$

Here, we neglected the polarization relaxation in the material in which the beam was implanted, since in NaF, which we used, it is much longer than the half-life of $^{26,28}\text{Na}$. As can be seen from the above equations, even for 100% spin polarization, the observed β -decay asymmetry might be still very small, if the decay scheme is such that the a_β parameter is small.

3. Laser polarization setup at VITO

In the following, the experimental setup will be briefly described, while more details will be provided elsewhere [W. 16]. The first stage of the laser polarization setup was installed in the summer 2016. A CAD 3D drawing is shown in figure 2. The first element belonging to the VITO beamline, after the ion beam turns right from the ISOLDE central beamline, is a quadrupole doublet used to properly focus the 30–60 keV beam in front of the setup. The quadrupole is followed by an electrostatic deflector with a deflection angle of 5° . It is equipped with a small window, where the laser light enters to interact with the ions in the overlapping region downstream of the deflector. The 5° deflector was installed in 2014, before the first online run at VITO, which used unpolarized ^{68m}Cu for online perturbed

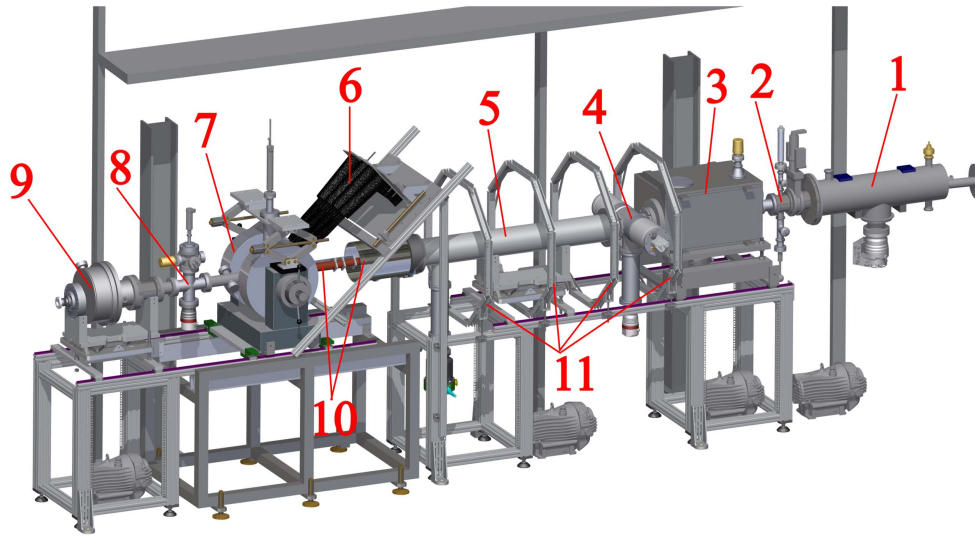


Figure 2. Laser polarization and β -NMR setups at the VITO beamline with the ion and laser beams entering from the right. (1) 5° bender, (2) beam-diagnostics box, (3) charge-exchange chamber, (4) optical-detection region, (5) optical-pumping tube, (6) β -detection system, (7) electromagnet providing strong magnetic field and implantation chamber with NaF crystal, (8) metal plate and aperture for beam diagnostics, (9) beam-diagnostics coils, (10) solenoids, (11) Helmholtz coils.

angular correlation studies [AF16]. The beam-diagnostics box installed behind it hosts a variable aperture and a metal plate from which the ion current can be read out. The next element is the charge-exchange chamber (CEC) hosting a charge-exchange cell, in which the ion beam is neutralized by collisions with a Na or K vapor as it passes through. The cell is used only for species which are polarized more efficiently as neutral atoms (e.g. Li, Na, Ar and Cu isotopes). The chamber also hosts a set of acceleration–deceleration electrodes which can change the energy of the incoming ions by up to several keV, in order to Doppler-tune them into resonance with the laser light. At the end of the chamber an electrostatic deflector is used to separate the remaining un-neutralized ions from the fast atom beam. The CEC is followed by a chamber housing a photomultiplier tube positioned perpendicularly to the beam axis, which can be used to detect fluorescence light emitted by the excited ions or atoms. This allows recording optical resonances of reference isotopes (usually stable isotopes produced as an intense beam). It is followed directly by a 2 m optical-pumping section, where the spin polarization takes place, behind which the beam reaches the implantation chamber placed between the poles of NMR magnet. In the middle of the implantation chamber a crystal or metal plate is inserted, in which the atomic beam is stopped. On each side, a thin Al-coated mylar foil is used as a window which let most β particles through, while maintaining high vacuum inside the chamber. Behind each window two 2 mm thick plastic scintillators act as β detectors, which have an opening angle 2α of 70° (corresponding to about 10% of the full solid angle), and whose light signal is transmitted via long plastic light-guides to photomultiplier tubes placed outside magnet coils. Coincidence signals between the two detectors on each side of the chamber allow to lower the background counts. Behind the magnet a large beam-diagnostics box is placed to record the ion current and the beam profile during optimization of the beam transmission. The beamline ends with a viewport.

Table 1. Properties of ^{26}Na and ^{28}Na relevant for laser spin polarization.

	^{26}Na	^{28}Na
Spin	3	1
Half-life	1.1 s	30 ms
Beta asymmetry parameter	-0.93(2)	-0.75(1)
Yield/s from UCx target [KGK ⁺ 00]	3×10^7	6×10^5
Nuclear polarization at COLLAPS [KGK ⁺ 00]	39%	59%
Nuclear polarization from this work	28%	59%

To maintain the spin polarization along the beam axis and to avoid polarization losses due to stray magnetic fields and magnetic material in neighboring setups which include superconduction magnets, a longitudinal magnetic field of 10–20 Gauss is created along the beamline. The field is provided by a series of large Helmholtz coils installed between the CEC and the magnet. These coils are followed by a set of small solenoids, which generate an increasing longitudinal field (so called transitional field). Its overlap with the increasing transversal field of the NMR magnet leads to an adiabatic rotation of the atomic spin and decoupling of the electron and nuclear spins. Details will be given in the next section.

4. Online commissioning with $^{26,28}\text{Na}$

4.1. Settings

The experimental setup was commissioned with $^{26,28}\text{Na}$ during three short runs in autumn 2016, between which improvements to the setup were implemented. The runs covered test of the functioning of all elements of the beamline and the β -detection setup, as well as optimization of the different settings (strength of guiding and NMR fields, degree of laser polarization, laser power). The aim was to obtain the degree of polarization reflected in the observed β -decay asymmetry comparable to the results already reported by the COLLAPS collaboration at ISOLDE [KGK⁺00]. The isotopes $^{26,28}\text{Na}$, whose properties relevant for the tests are presented in table 1, were chosen for several reasons: (i) these isotopes can be well polarized as neutral atoms via the atomic D2 transition from the ground state, (ii) they are produced with high intensity at ISOLDE from various target materials (UC_x, Ta, Ti) using hot surface ionization sources, (iii) a high degree of asymmetry is expected due to their large β -asymmetry factors, and (iv) our polarization can be compared to earlier measurements performed at the ISOLDE COLLAPS beamline [KGK⁺00]. The large difference in half-lives of the two isotopes allows one to also compare the influence of the relaxation time (i.e. exponential decrease in polarization due to spin-lattice relaxation) on the observed asymmetry. The atomic transition selected for the polarization is the $3s\ ^2S_{1/2} \rightarrow 3p\ ^2P_{3/2}$ transition from the ground state of neutral Na (D2 line) at 589 nm, which gives quite narrow resonances with natural linewidth around 10 MHz.

The Na^+ ions were first neutralized when passing the charge-exchange cell filled with Na vapor. The non-neutralized ions were deflected from the beam axis while the neutralized atoms were overlapped with laser light set to the Doppler-shifted frequency of the atomic D2 line. The spin-polarized atomic beam was finally implanted into a NaF crystal held at room temperature placed in the middle of the NMR electro-magnet.

To determine the degree of nuclear-spin polarization, we recorded the changes in β -decay asymmetry when scanning across the hyperfine structure of the D2 transition for both

directions of laser polarization (σ^+ and σ^-). The scans were performed by changing the velocity of the atomic beam, realized by changing the voltage applied to the acceleration–deceleration electrode and the CEC (Doppler tune voltage).

The procedure to scan across the resonances and to record β asymmetry was as follows. The data acquisition was triggered when the μs long proton bunch from the CERN’s proton synchrotron booster impinged on the ISOLDE target (this took place every 1.2 s or its multiples). Immediately after the proton bunch hit the target the Doppler-tuning voltage was incremented and the number of beta counts was recorded for a predefined time. The β -decay asymmetry could be calculated from the number of β counts recorded as coincidence events in two thin detectors placed at 0 and 180° with respect to the field direction. In this way the β -decay asymmetry was recorded as a function of the acceleration voltage, which could be easily translated into a Doppler-shifted laser frequency.

During the final tests in November 2016, the Na isotopes were produced in a UC_x target with tungsten surface ionizer, accelerated to 30.2 keV and mass-selected in the high resolution separator, HRS. For ^{26}Na the time between consecutive proton bunches was 2.4 s or more while for ^{28}Na , due its very short half-life, a proton bunch was accepted every 1.2 s. The ISOLDE beamgate, which lets the ions out into the setup, was set to 2.3 s for ^{26}Na and to 200 ms for ^{28}Na . The proton structure is important for nuclei with half-lives comparable or longer than the time between proton pulses (1.2 s or its multiples), because the atoms implanted after a given proton pulse continue decaying when the new atoms are implanted. This means that the asymmetry recorded for one acceleration voltage would be ‘contaminated’ by polarization created at the previous voltages.

The field of the NMR dipole magnet was set to 0.35 Tesla and varied during the magnetic-field tests. The guiding field provided by large Helmholtz coils with a diameter of 80 cm starts behind the CEC (see [W. 16] for details). A field of 18 Gauss was induced along the beam axis and the transitional field induced in two solenoids placed in front of the NMR magnet peaked at 180 and 80 Gauss, optimized to match the field of the magnet. The strengths of this transitional field and of the magnet’s field along the beam axis are plotted in figure 3.

The estimated number of atoms being implanted in the crystal after each proton pulse was about 2.2×10^7 for ^{26}Na and 1.5×10^4 for ^{28}Na , based on the number of recorded β particles and the solid angle covered by the β detectors (10% of full solid angle). The crystal used was a NaF, as it is known to have a long relaxation time of 37 s for Na [KGK⁺00]. This long relaxation time was confirmed by our September 2016 tests, since no decrease of asymmetry was observed during 4 s.

The laser power in front of the circular polarizer was 100 mW with the laser beam diameter set between 10 and 15 mm, to ensure that all atoms in the beam could be excited with the laser. The degree of circular polarization of the light during the experiment, measured behind the exit window, varied between 80% and 90%.

4.2. Results

The commissioning tests included changes in laser polarization and laser power, change of the crystal, and changes in the strength of the guiding fields and the NMR field. After various optimizations, the hyperfine structure of the D2 line for ^{26}Na and ^{28}Na with both σ^+ and σ^- laser polarization was recorded, as shown in figure 4.

The largest β -decay asymmetry for both nuclei was observed in the $|F=I+1/2\rangle \rightarrow |F'=I+3/2\rangle$ component for σ^+ light, seen at the Doppler tune voltage of around -100 V in figure 4. The degree of asymmetry and the shape of the spectra are very

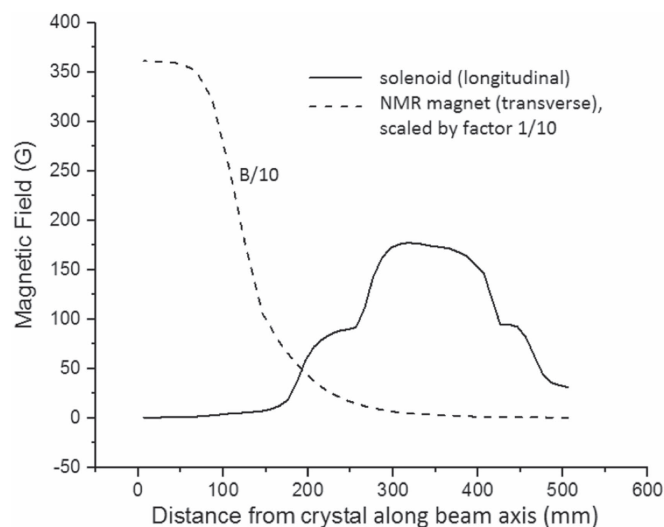


Figure 3. Measured longitudinal transitional field provided by two solenoids and transversal component of the electromagnet’s field (scaled by factor 1/10, at the centre of the beamline). The atomic beam travels from the right to the left. The fields used to adiabatically rotate and decouple the electron and nuclear spins.

similar to those reported by the COLLAPS collaboration [KGK+00, Kei96], where the achieved polarization was estimated to be between 40% and 60% (using the same transition and crystal, but with protons impinging on target every 4.8 s). Based on equation (2), the opening angle of our detectors (70°), the β -asymmetry parameters given in table 1, and the short observation time compared to the relaxation time in NaF, we obtain the degree of polarization in the strongest transition about 28% for ^{26}Na and 59% for ^{28}Na . These values are comparable to those reported in [KGK+00] and [Kei96], as shown in table 1. The lower polarization in ^{26}Na as compared to ^{28}Na is mostly due to the higher spin of this nucleus, which leads to a lower degree of polarization. The ratio of the nuclear spin polarization of ^{28}Na ($I = 1$) to polarization for ^{26}Na ($I = 3$) for the strongest component of the D2 transition is expected to be 1.6 [Kei96]. Our ratio of 2.1 is somewhat larger than this value. The difference might come from lower asymmetry for ^{26}Na due to the ‘contamination’ from nuclei implanted earlier and polarized with light at a different Doppler-shifted frequency, as described at the end of the previous section.

5. Outlook and summary

The degree of β asymmetry and spin polarization reported here, when compared to the established literature values, shows that the VITO laser polarization setup is ready to enter into the next stage of experimental campaigns.

The upgrades planned in the coming months concern an upgrade of the β -detection system, polarization of singly charged ions, implantation of ions and atoms into liquid hosts, and the development of a set-up to measure angular correlations between emitted β particles, γ radiation, and eventually also neutrons from very short-lived nuclei. At a later stage we envisage the installation of a reionization cell and a 90° deflector, which would allow electrostatic bending of the ion beam (polarized either as ions or atoms). This will decouple the

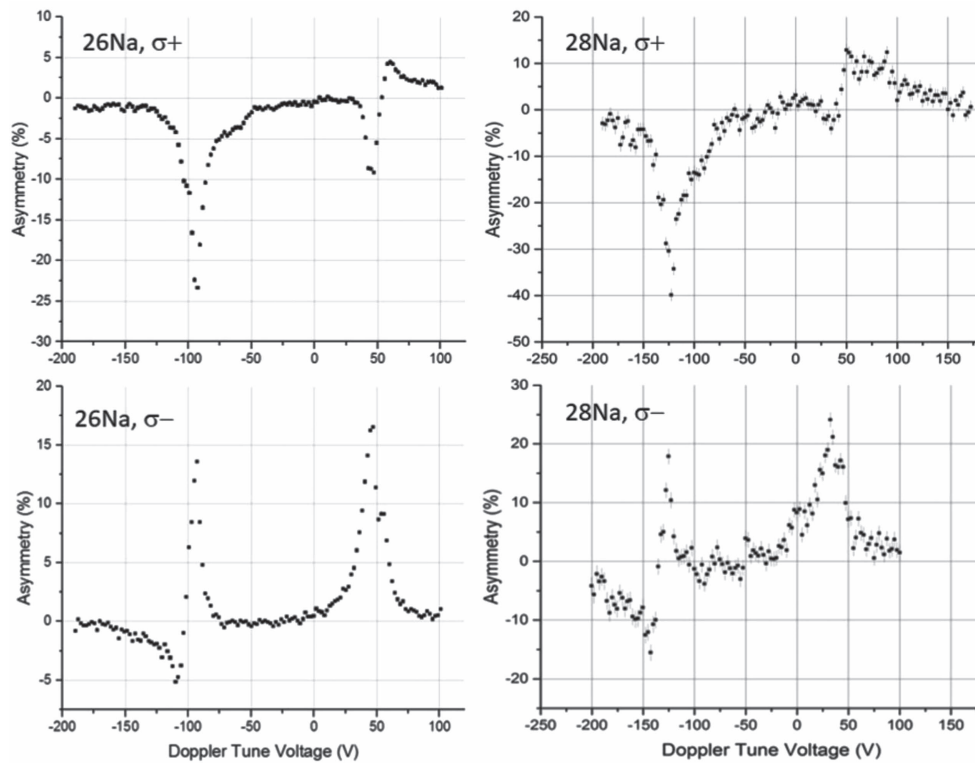


Figure 4. Hyperfine structure of the D2 line in atomic ^{26}Na (left) and ^{28}Na (right) as a function of the Doppler tune voltage observed in the β -decay asymmetry following excitation with $\sigma+$ (top) and $\sigma-$ (bottom) light. Each point corresponds to β counts recorded after only 1 proton pulse. Independent instrumental baseline was subtracted from all spectra. Statistical uncertainties in ^{26}Na spectra are smaller than the points.

ions from the laser beam and will avoid polarization losses when turning the spins in the magnet's field.

The first planned physics experiments will concern fundamental interactions and NMR studies for chemistry and biology. Three proposals using the VITO laser polarization line have already been approved by the ISOLDE Scientific Committee. One of them [V⁺14] concerns the high-precision measurement of the β -asymmetry parameter in the mirror decay of ^{35}Ar , which—with 0.5% precision—should contribute to the determination of the V_{ud} quark mixing matrix element, of prime importance for the tests of the unitarity of the CKM matrix. Two other proposals [M. 13b, M. 13a] are devoted to NMR studies in liquid samples aiming to record the first biologically relevant chemical shifts obtained with the β -NMR method. The first of these proposals will use a ^{31}Mg beam while the second one aims at performing polarization tests of Cu isotopes. In addition, there is already interest in extending the beta-gamma studies of nuclear structure [Y⁺10] and to add beta-neutron correlation studies [Mad]. β -NMR for nuclear structure and material science can be also envisaged.

In summary, we have reported here on the first spin-polarized radioactive beam using the new laser-polarization setup at the VITO beamline at ISOLDE. The degree of beta asymmetry and the underlying degree of spin-polarization were investigated with short-lived $^{26,28}\text{Na}$ beams. The results achieved earlier at the COLLAPS setup could be fully reproduced. The

first stage of the experimental setup has thus been successfully commissioned and is now ready for physics experiments. Upgrades to the setup are already under way.


Acknowledgments

We thank R Neugart for many suggestions and fruitful discussions, R Garcia Ruiz for the design of the 5° bender, M Stachura for the launch of the VITO initiative and the preparatory work with non-polarized ions. We also thank the COLLAPS collaboration for the use of part of their hardware and DAQ system, the ISOLTRAP team for giving access to their laboratory equipment, and ISOLDE technical teams for technical support. We thank the following sources of funding: European Research Council (Starting Grant no. 640465), CERN EP Department, KU Leuven (grant GOA 15/010), the Flemish Science Foundation, the Ministry of Education of the Czech Republic (grant LG15052), and EU's Horizon 2020 research and innovation programme (no. 654002, ENSAR2) and the UK Science and Technology Facilities Council.

ORCID

M Kowalska  <https://orcid.org/0000-0002-2170-1717>

P Aschenbrenner  <https://orcid.org/0000-0002-1454-4960>

F Wienholtz  <https://orcid.org/0000-0002-4367-7420>

References

- [AF16] Fenta A *et al* 2016 The 68mcu/68cu isotope as a new probe for hyperfine studies: the nuclear moments *Europhys. Lett.* **115** 62002
- [Kei96] Keim M 1996 Messung der Kernquadrupolmomente neutronenreicher Natriumisotope *PhD Thesis* Mainz University
- [KGK⁺00] Keim M *et al* 2000 Measurement of the electric quadrupole moments of ^{26–29}Na *Eur. Phys. J. A* **8** 31
- [KY⁺08] Kowalska M *et al* 2008 Nuclear ground-state spins and magnetic moments of ²⁷Mg, ²⁹Mg, and ³¹Mg *Phys. Rev. C* **77** 034307
- [M. 13a] Stachura M 2013 ³¹Mg β -NMR applied in chemistry and biochemistry *Proposal to the INTC* CERN–INTC–2013–034; INTC–P–393
- [M. 13b] Stachura M 2013 β -NMR of copper isotopes in ionic liquids *Proposal to the INTC* CERN–INTC–2013–033; INTC–P–392
- [Mad] Madurga M 2016 private communication
- [NN06] Neugart R and Neyens G 2006 Nuclear moments *The Euroschool Lectures on Physics with Exotic Beams, Vol. II (Lecture Notes in Physics vol 700)* ed Jim Al-Khalil and Ernst Roeck (Berlin: Springer) (https://doi.org/10.1007/3-540-33787-3_4)
- [R⁺15] Garcia Ruiz R *et al* 2015 Perspectives for the VITO beam line at ISOLDE, CERN *EPJ Web Conf.* **93** 07004
- [V⁺14] Velten P 2014 Measurement of the β -asymmetry parameter in ³⁵Ar decay with a laser polarized beam *Proposal to the INTC* CERN–INTC–2014–062; INTC–P–426
- [W. 16] Gins W *et al* 2016 The setup for laser spin-polarization and beta-decay asymmetry studies at VITO-ISOLDE in preparation
- [Y⁺10] Yordanov D 2010 β -delayed spectroscopy of laser-polarized beams *Letter of Intent to the INTC* CERN–INTC–2010–021/INTC–I–090