

Mixing Suspensions in Tall Vessels with a Draught Tube

J. Brož, F. Rieger

A tall vessel with a telescopic draught tube is proposed for mixing suspensions. The paper presents the relations for calculating the agitator power consumption and the speed necessary to keep a particle in suspension.

Keywords: mixing equipment, draught tube, suspension.

1 Introduction

Large tall vessels with a draught tube (shown in Fig. 1) are used for mixing suspensions, especially when high homogeneity is desirable. A short shaft and a small ground area are advantages of this configuration.

2 Modifications to a draught tube for particle suspension

The main disadvantage of this arrangement is that particle suspension is difficult after mixing has been interrupted. As shown in Fig. 2, in the case of small particles the speed for initiating particle suspension n_p is significantly greater than the speed necessary to keep a particle in suspension n_k .

Operation at high speed requires high power consumption. To overcome this difficulty, the telescopic withdrawable

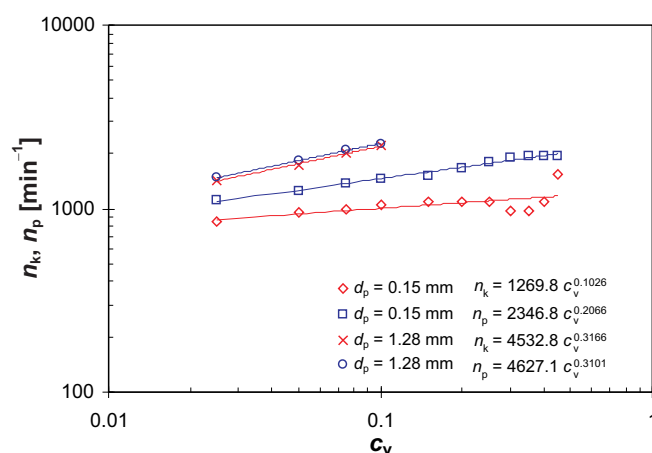


Fig. 2: Comparison of impeller speed $n_{k,p}$ for particle diameters $d_p = 1.28; 0.15$ mm

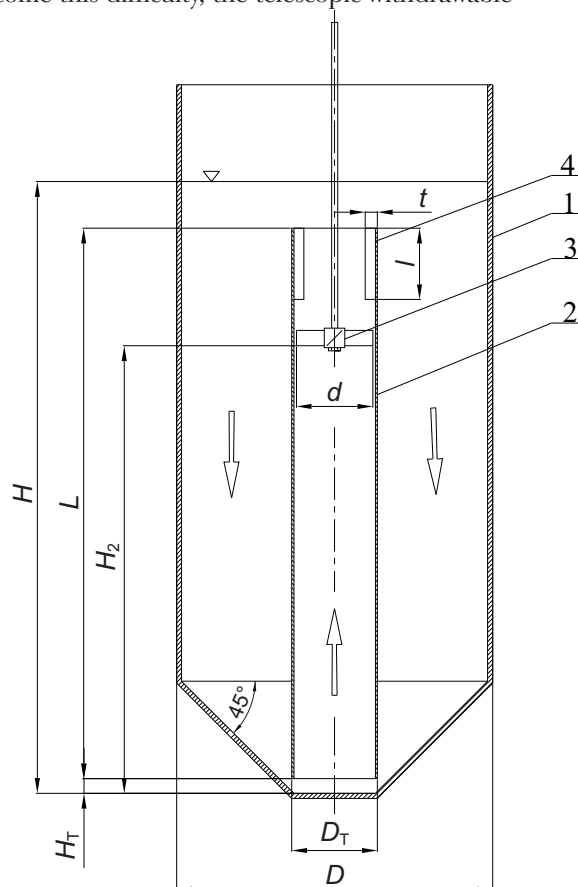
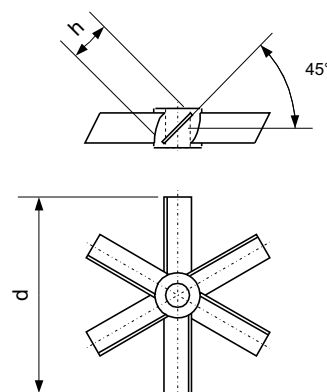


Fig. 1: Mixing vessel with a draught tube

- 1 vessel
- 2 draught tube
- 3 impeller
- 4 baffles



Pitched six-blade turbine
CVS 69 1020 $h/d = 0.2$

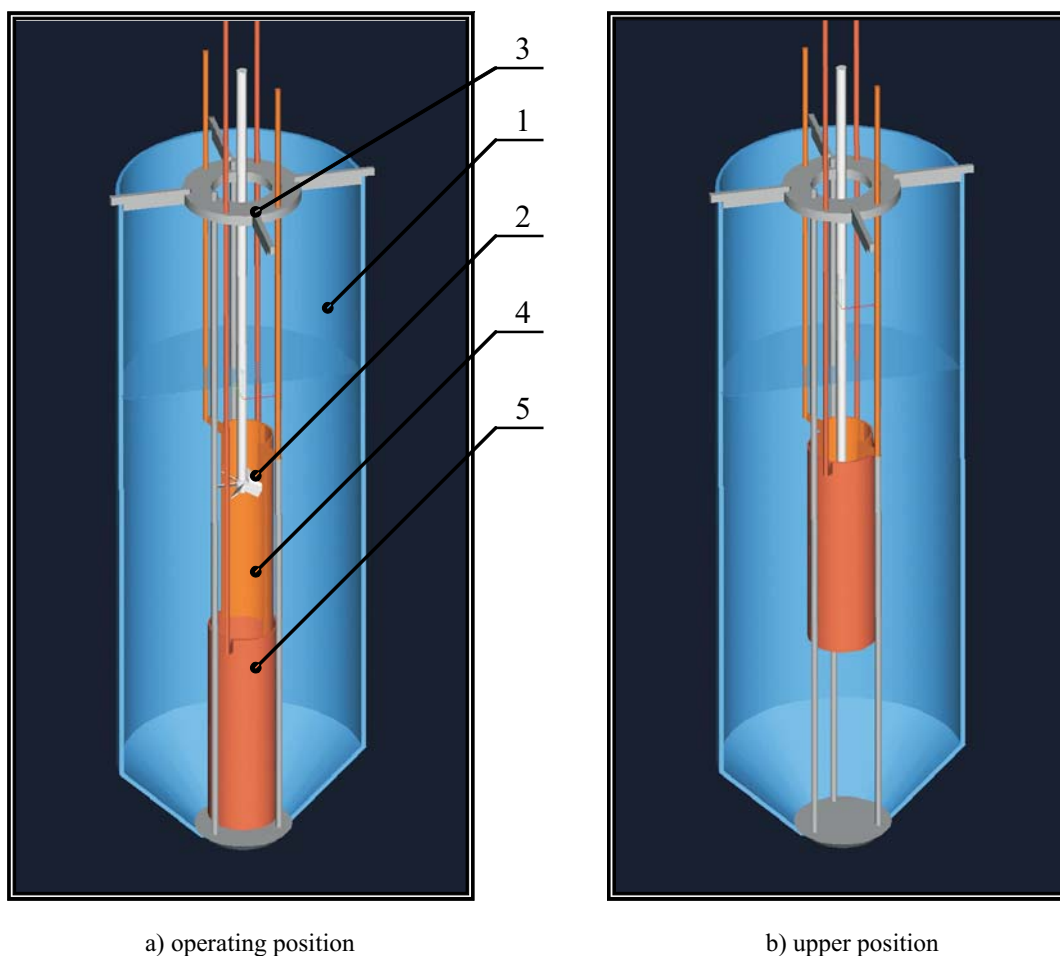


Fig. 3: Vessel with telescopic draught tube

draught tube shown in Fig. 3 has been proposed as a utility model [1].

For settled particle suspension, the draught tube is withdrawn to the upper position with a small gap between the sediment and the draught tube – Fig. 4a. The high liquid velocity in the gap causes particle suspension – Fig. 4b. Then the draught tube can gradually be lowered as the particles are suspended and the bed of settled particles decreases.

3 Experimental

We need to know the power consumption and the critical agitator speed in order to design mixing equipment.

Measurements were carried out on the model mixing equipment shown in Fig. 5, with the dimensions presented in Table 1. Water suspensions of five fractions of glass balotina with mean diameters from 0.15 to 1.28 mm with volumetric content of particles c_v in the range from 0.025 to 0.45 were

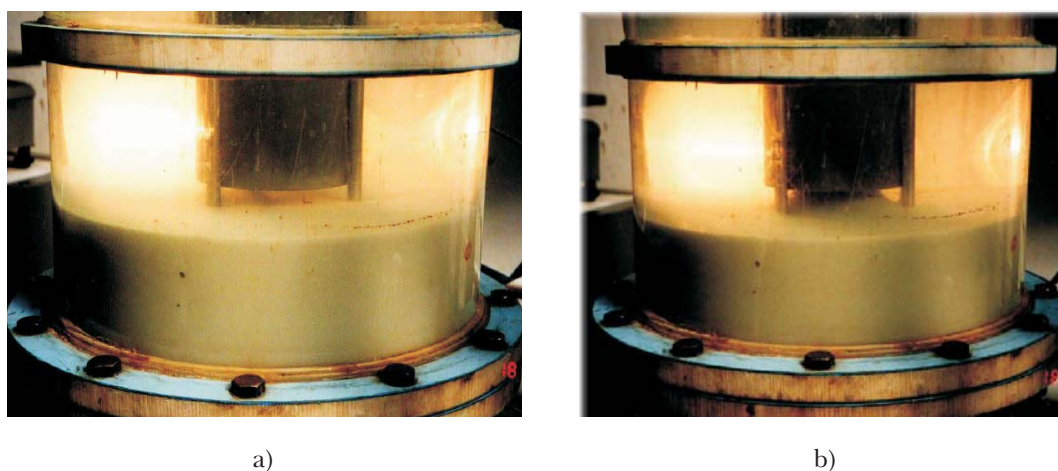


Fig. 4: Draught tube above the sediment layer

Table 1

D [mm]	D_T [mm]	D_1 [mm]	D_M [mm]	d [mm]	H [mm]	H_T [mm]	H_2 [mm]	t [mm]	L [mm]	l [mm]
300	72	120	81	65	600	14	444	8	540	54

used in the measurements. The power consumption was measured by a tensometric pick-up with a GMV amplifier

made by Lorenz Messtechnik at the agitator speed necessary to initiate n_p and maintain n_k particle suspension. The critical speed of the agitator was determined visually and measured photoelectrically.

4 Experimental results

The results of the power consumption measurements were processed to the form of power number Po dependence on volumetric content c_v for various particle diameters shown in Fig. 6.

This figure shows that the power number is independent of particle content and size. The power number at the speed necessary to initiate particle suspension Po_p does not differ significantly from the power number at the speed necessary to keep a particle in suspension Po_k , and its mean value is $Po = 1.63 \pm 0.07$.

Measurements of the critical agitator speed necessary to keep a particle in suspension n_k have been presented in [2]. The results were processed in the form of a dimensionless equation

$$Fr' = A \left(\frac{d_p}{D} \right)^a \quad (1)$$

from which the critical agitator speed can be calculated. The coefficients in a and A depend on particle content and can be determined from the following relations

$$a = 0.47 + 2.26 \cdot c_v \quad (2)$$

$$A = 40.07 \exp(17.62 \cdot c_v) \quad (3)$$

List of symbols

- c_v mean volumetric concentration of particles
- d agitator diameter
- d_p particle diameter

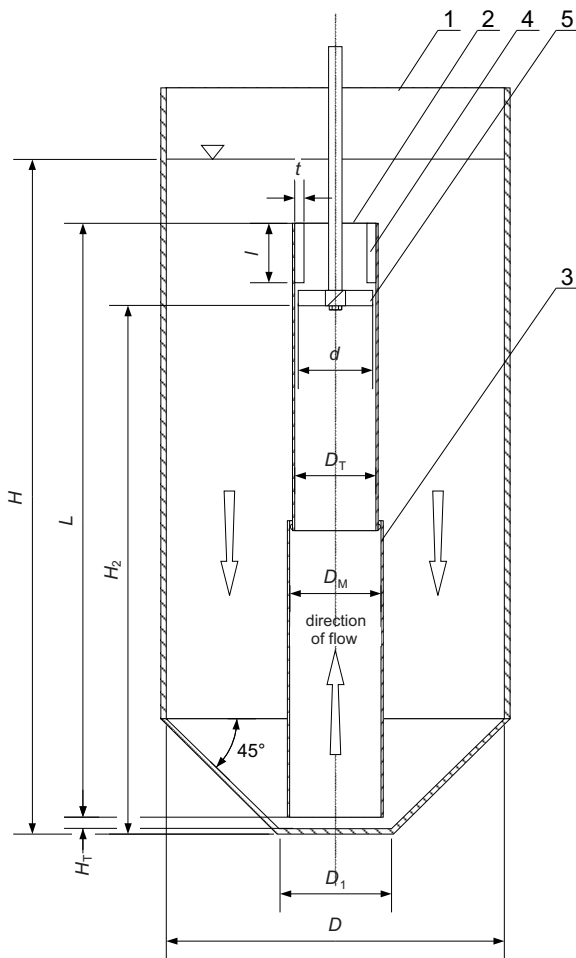


Fig. 5: Vessel with telescopic draught tube

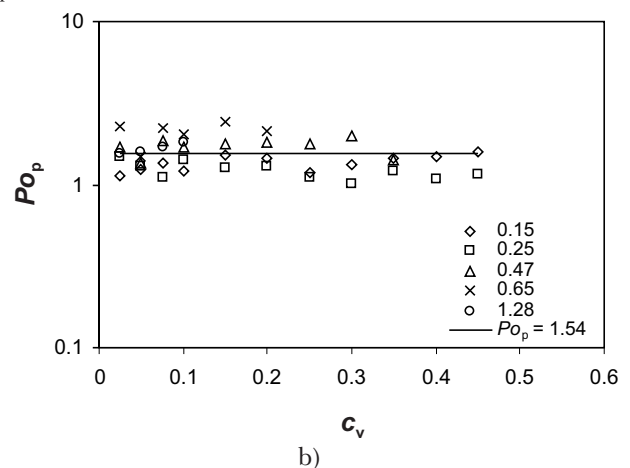
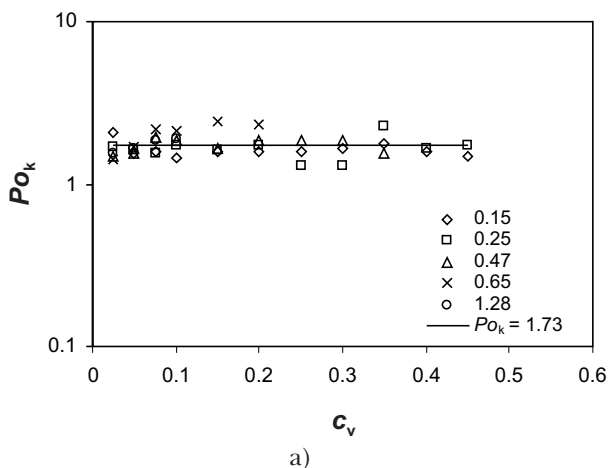


Fig. 6: Power number Po dependence on the mean particle volumetric content c_v : a) $Po_k = 1.73 \pm 0.08$, b) $Po_p = 1.54 \pm 0.11$

D	vessel diameter
Fr'	modified Froude number, $Fr' = \frac{n_k^2 d \rho}{g \Delta \rho}$
n	agitator speed
P	power
Po	power number, $Po = P \rho_s^{-1} n^{-3} d^{-5}$
ρ	density of liquid
ρ_s	density of suspension
$\Delta \rho$	solid-liquid density difference

Acknowledgement

This work was supported by research project of the Ministry of Education of the Czech Republic MSM6840770035.

References

- [1] Utility model proposal PUV 2009-20921.
- [2] Brož, J., Rieger, F.: *Czasopismo Techniczne*. Vol. **105** (M/2008), No. 6, p. 29–36.

Jiří Brož

Prof. Ing. František Rieger, DrSc.
phone: +420 224 352 548
e-mail: frantisek.rieger@fs.cvut.cz

Department of Process Engineering

Czech Technical University in Prague
Faculty of Mechanical Engineering
Technická 4
166 07 Prague 6, Czech Republic