

# Fungal Genetics Reports

---

Volume 4

Article 13

---

## A convenient design of growth tube

I. R. Brown

O. J. Gillie

Follow this and additional works at: <https://newprairiepress.org/fgr>



This work is licensed under a [Creative Commons Attribution-Share Alike 4.0 License](https://creativecommons.org/licenses/by-sa/4.0/).

---

### Recommended Citation

Brown, I. R., and O.J. Gillie (1963) "A convenient design of growth tube," *Fungal Genetics Reports*: Vol. 4, Article 13. <https://doi.org/10.4148/1941-4765.2163>

This Technical Note is brought to you for free and open access by New Prairie Press. It has been accepted for inclusion in Fungal Genetics Reports by an authorized administrator of New Prairie Press. For more information, please contact [cads@k-state.edu](mailto:cads@k-state.edu).

---

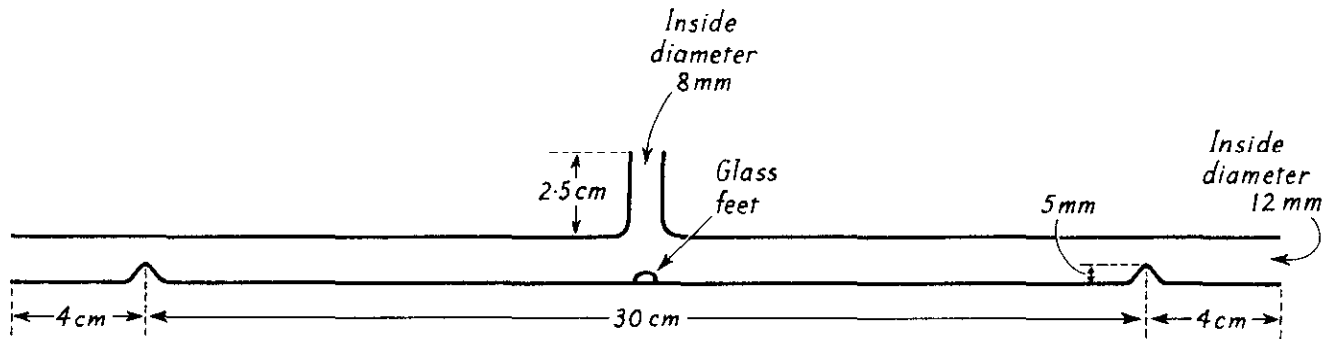
## A convenient design of growth tube

### Abstract

A convenient design of growth tube

Brown, I.R. and O. J. Gillie. A convenient design of growth tube.

From talks to other Neurospora workers we understand that the original form of growth tube designed by Ryan, Beadle and Tatum is still widely used. We have designed a growth tube, shown in the accompanying illustration, which we believe after more than a year's use to be more convenient for the following reasons. The form of the ends allows easy cleaning and the diameter of the ends and the chimney permits the use of dental cotton wool rolls as convenient plugs. These dental rolls (Numbers 4 and 1) are supplied by Cottrell and Co., 15/17 Charlotte Street, London, W.1. Although pyrex tubing is not normally supplied to sufficiently precise inside diameters



as we have specified to make use of cotton wool rolls, these diameters may be obtained by asking for specially selected tubing. An extra feature which we have found convenient when dealing with large numbers of tubes was the provision of glass feet, small glass blobs attached to the sides of the tube; these make the use of specially constructed racks unnecessary.

The tubes are plugged and sterilized in a dry oven and 10 mls of sterile medium is pipetted through the chimney. The chimney may be used as a convenient point for obtaining samples of conidia. The straight form of the ends also allows easy access for taking samples of mycelium or conidia from all parts of the tube. Tubes have also been constructed with chimneys at one end for use in situations where conidiation in the middle of the tube is undesirable. These tubes have been found to be slightly less convenient to handle.

The cost of these tubes as made for us by a glassblower in the University is approximately 6 shillings. The glass cost about 9d and the rest of the cost covered labor and overheads. --Institute of Animal Genetics, West Mains Road, Edinburgh 9, Scotland.