

CMS REGIONAL CALORIMETER TRIGGER HIGH SPEED ASICs

W. H. Smith, P. Chumney, S. Dasu, M. Jaworski, J. Lackey

Physics Department, University of Wisconsin, Madison, WI 53706 USA

Abstract

The CMS regional calorimeter trigger system detects signatures of electrons/photons, taus, jets, and missing and total transverse energy in a deadtimeless pipelined architecture. This system contains 20 crates of custom-built electronics. Much of the processing in this system is performed by five types of 160 MHz digital ASICs. These ASICs have been designed in the Vitesse submicron high-integration gallium arsenide gate array technology. The five ASICs perform data synchronization and error checking, implement board level boundary scan, sort ranked trigger objects, identify electron/photon candidates and sum trigger energies. The design and status of these ASICs are presented.

1. CMS CALORIMETER L1 TRIGGER

The CMS level 1 trigger decision is based in part upon local information from the level 1 calorimeter trigger about the presence of physics objects such as photons, electrons, and jets, as well as global sums of E_T and missing E_T (to find neutrinos) [1].

For most of the CMS ECAL, a 5×5 array of PbWO₄ crystals is mapped into trigger towers. In the rest of the ECAL there is somewhat lower granularity of crystals within a trigger tower. There is a 1:1 correspondence between the HCAL and ECAL trigger towers. The trigger tower size is equivalent to the HCAL physical towers, $.087 \times .087$ in $\eta \times \phi$. The ϕ size remains constant in $\Delta\phi$ and the η size remains constant in $\Delta\eta$ out to an η of 2.1, beyond which the η size increases.

The electron/photon trigger uses a 3×3 trigger tower sliding window technique which spans the complete coverage of the CMS electromagnetic calorimeter [2]. Two independent streams are considered, non-isolated and isolated electron/photons. The non-isolated identification requires a large energy deposit in one or two adjacent ECAL trigger cells, a narrow lateral shower profile (the energy spread in η strips of 5 crystals in the central ECAL cell of 3×3 trigger tower window) and small H/E in the central trigger cell of 3×3 window. The isolated electron/photons additionally require small energy in ECAL cells surrounding the central cell of 3×3 window and small energy in HCAL cells surrounding the central cell of 3×3 window.

The jet trigger uses the transverse energy sums (ECAL + HCAL) computed in calorimeter regions (4×4 trigger towers). Jets and τ s are characterized by the transverse energy E_T in 3×3 calorimeter regions (12×12 trigger towers). For each calorimeter region a τ -veto bit is set if there are more than two active ECAL or HCAL towers in the 4×4 region. A jet is defined as 'tau-like' if none of the 9 calorimeter region τ -veto bits are set.

2. CALORIMETER TRIGGER HARDWARE

The calorimeter level 1 trigger system, shown in Figure 1, receives digital trigger sums from the front-end electronics system, which transmits energy on an eight bit compressed scale. The data for two trigger towers is sent on a single link with eight bits apiece, accompanied by five bits of error detection code and a "fine-grain" bit for each trigger tower characterizing the energies summed into it, i.e. isolated energy for the ECAL or an energy deposit consistent with a minimum ionizing particle for the HCAL.

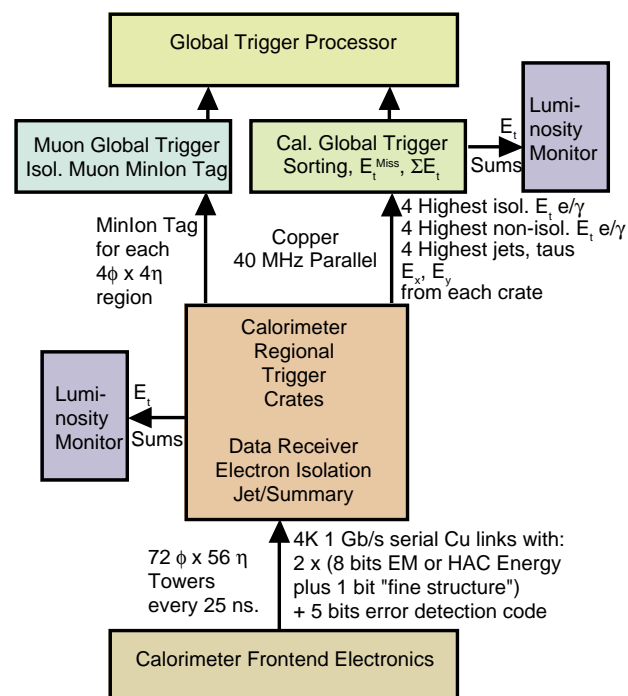


Figure 1. Overview of Level 1 Calorimeter Trigger

The calorimeter regional crate system uses 20 regional processor crates covering the full detector. Eighteen crates are dedicated to the barrel and two endcaps. These crates

cover the region $|\eta| < 3$. One special crate covers both HF Calorimeters that extend missing E_T and jet finding coverage to $|\eta| < 5$. The remaining crate collects regional information from these 19 trigger crates and clusters their regions to find jets and taus. It also continues the summation tree to provide sums of E_T in various ϕ regions.

Each calorimeter regional crate transmits to the calorimeter global trigger processor its 4 highest-ranked isolated and non-isolated electrons. The cluster crate sends its 9x4 highest energy central and forward jets and tau candidates along with information about their location and sum E_T for the 18 ϕ regions covered by it. The global calorimeter trigger then forms E_x and E_y using look-up tables and sums the energies, separately sorts the electrons, jets and taus, and sends the top four calorimeter-wide candidates, as well as the total calorimeter missing and sum E_T to the CMS global trigger. The muon isolation and identification bits formed using the HCAL information are passed to the global muon crates via the global calorimeter trigger.

Eighteen crates of the Calorimeter Regional Trigger use three custom board designs that are dedicated to receiving and processing data from the barrel and endcap calorimeters. In these crates there are seven rear mounted Receiver cards, seven front-mounted Electron Isolation cards, and one front-mounted Jet Summary card for a total of 15 processor cards per crate. These cards and an additional clock and control card are plugged into custom "backplane" which provides 160 MHz point-to-point links between the cards. A VME bus is also provided to these cards using high-density connectors in the top 3U section of the backplane. In addition there are two slots with standard VME backplane connectors for crate processor and monitoring cards.

The 19th crate covering the forward calorimeter houses special cards that use portions of circuitry of the Receiver and Jet Summary cards to drive the signals out for forming jets and E_T sums. The 20th cluster crate is similar to the 18 barrel and endcap crates but uses a different backplane and a set of cluster processor cards that implement the jet and tau finding algorithms and E_T sums. These cards and backplane are based on the same technology used in the other crates.

The regional calorimeter trigger crate, shown schematically in Figure 2, has a height of 9U and a depth approximately of 700 mm [3]. The front section of the crate is designed to accommodate 280-mm deep cards, leaving the major portion of the volume for 400 mm deep rear mounted cards

The Receiver Card synchronizes the input data and passes it through look-up tables to separately linearize the energies into the number of bits needed for electron identification and energy triggers. Data in parallel form is shared with the neighboring crates at 80 MHz. The entire system operates in lock step after this stage at 160 MHz. The energies are then summed in 4 x 4 trigger tower regions.

The data for the electron identification logic, which includes both that received on the serial cables and that received on inter-crate cables, are transferred to the Electron Identification cards plugged into the front side of the backplane. The 4 x 4 sums are transferred to the Jet/Summary card plugged into the center of backplane on the front-side of the crate.

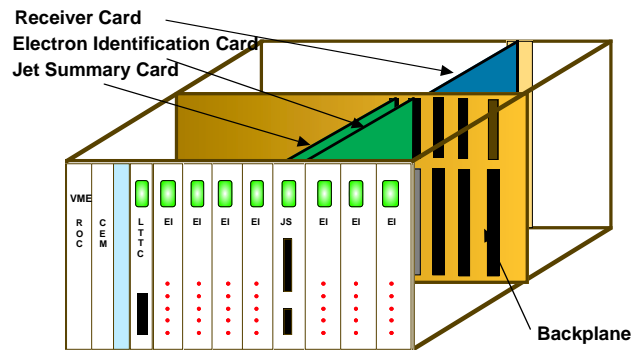


Figure 2. Schematic view of a typical Calorimeter Level 1 Regional crate.

The Electron Isolation card implements its algorithm in the Isolation ASIC. The candidate electrons are ranked and top candidates are passed to the Jet/Summary card. The Jet/Summary card sorts the electron and jet candidates in the crate to output the top four candidates of each kind on a cable to the global trigger. It also calculates sums of E_x , E_y and E_T for transmission to the Global Calorimeter Trigger (GCT) cards. The GCT sorts objects and sums energies to obtain the final output of the calorimeter trigger which is used by the Global Trigger together with the muon trigger data to provide the final trigger decision.

3. DIGITAL ASICS

The five digital ASICs developed for the regional calorimeter trigger are, Phase ASIC, the Adder ASIC Boundary Scan ASIC, Sort ASIC and Isolation ASIC. They were produced in Vitesse FX™ and GLX™ gate arrays utilizing their sub-micron high integration Gallium Arsenide MESFET technology. Except for the 120 MHz

TTL input to the Phase ASIC, all ASIC I/O is at 160 MHz ECL.

The Phase ASIC is designed to receive four channels of parallel data from a Vitesse 7216 4-channel Serial to Parallel 1.2 GBaud copper receiver. Each channel of data arrives at 120 MHz eight bits wide in 3 cycles for each 25 ns bunch crossing. This provides a 24-bit frame at 40 MHz that contains the 18 bits of data described above and 5 bits of error detection code, with one bit in reserve. A block level diagram of the ASIC is shown in Figure 3. The single clock for four channels is derived from the Vitesse Receiver. Data is transmitted from each Receiver channel along with two status bits and an error bit. The status can be used to determine whether the link is in setup mode or data transmission mode. The input stage of the Phase ASIC is a 44 bit wide FIFO that is six frames deep. The FIFO accommodates minor phase shifts between the transmitter and local clocks.

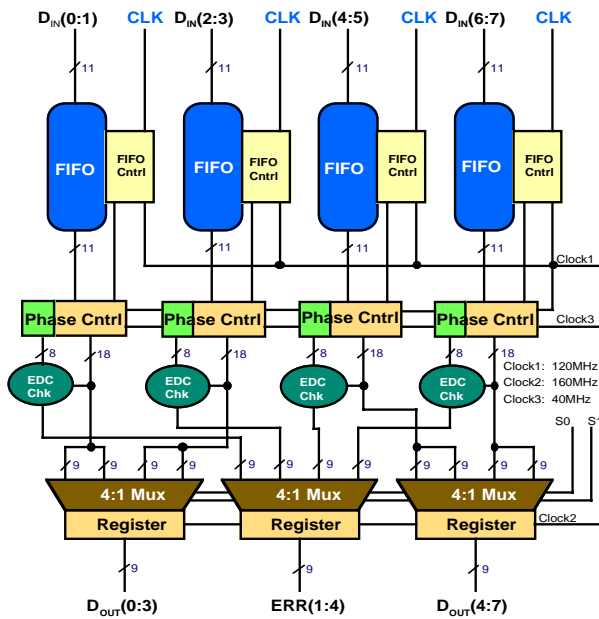


Figure 3. Block level diagram of the Phase ASIC.

The FIFO is followed by a circuit, which sets the proper phase between the incoming data and the local bunch-crossing clock. This circuit makes use of status information from the VSC7216 to set the final phase. Once properly phased, the data and error bits can be separated into 18 bits of data (two channels) and 5 bits of Hamming code. The Hamming code is recomputed from the data and compared with the received Hamming code bits. This Hamming code catches all single and double bit errors and most other multi-bit errors. The data leave the Phase ASIC at 160 MHz in two data channels with 9 bits apiece, and one error channel, also 9 bits. The error bits are made up of the transmitted EDC along with a subset

of the status bits from the VSC7216 and an overall error indicator. The status bits from the VSC7216 provide sufficient information to determine the state of the serial links at any point in time

As we have four input channels, each handling two towers per crossing, the two output channels produce four towers of information per crossing. The outputs are clocked at 160MHz.

The last storage element of the Phase ASIC is implemented as a loadable counter. During normal operation the counter will be loaded with data each 6.25ns. During testing the counter can be reset and enabled to count synchronously with the rest of Phase ASIC outputs. The counter outputs will address the look-up tables just as detector data would. The combination of these counters and look-up tables can be used to provide any data pattern necessary to test the remainder of the Trigger Processor system. The error outputs will be idle during testing.

The Phase ASIC has a JTAG controller and scan cells on all the outputs. The data on link errors is zeroed so that loss of individual links does not inhibit data taking. The broken links will be re-synchronised periodically. However, link error flags from the Phase ASICs are counted and the counts are readable by VME by the local crate processor for monitoring.

The Adder ASIC is designed to add 8 11-bit numbers (including the sign) in 25 nsec, while providing bits for arithmetic and input overflows. Vitesse has produced it in 0.6 μ H-GaAs technology. The Adder ASIC consists of approximately 11,000 cells, uses 4 W and has been tested to 200 MHz, considerably above the 160 MHz requirement.

The Adder ASIC provides a 4-stage pipeline with eight input operands and 1 output operand. There are three stages of adder tree, with an extra level of storage added to ensure chip processing is isolated from the I/O. The ASIC uses 4 bit adder macro cells to implement twelve bit wide adders. Eleven bits are wired, left justified, to each operand of an adder. The LSB of each adder is internally set to ZERO. The MSB is treated as a sign bit. Therefore, although the adder tree may be constructed from three 4 bit adders, the width of the operand data paths has been limited to eleven bits. An Adder ASIC chip is designated as "master" if it is in the top rank of the adder tree and as "slave" if it is further down. Masters can generate Tower overflow (TOV), but slaves can only propagate TOV. Both masters and slaves can generate and propagate arithmetic overflow/underflow (AOV). These bits are appended to each input and output operand, making all

operands 13 bits wide. TOV becomes the twelfth bit of the output result and AOV the thirteenth bit.

A block diagram of the Adder ASIC is shown in Figure 4. The top of the adder tree is composed of four 12-bit adders and includes the logic required to detect and propagate TOV and AOV. All eight of the TOV bits are ORed together and all four of the AOV bits are ORed together to form two separate overflow bits that are forwarded with the data in the pipeline.

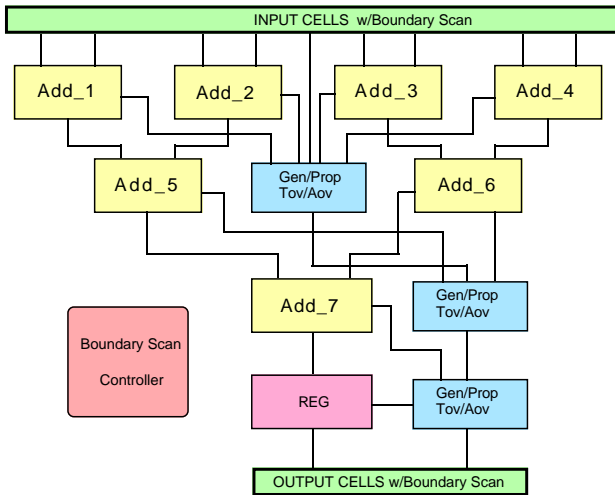


Figure 4. Adder ASIC.

The second stage contains two more 12-bit adders and includes the logic needed to propagate TOV and to detect and propagate AOV. From this point on, TOV is forwarded down the pipeline from register to register. AOV is generated in the same manner as in the first stage and the resulting two bits are ORed with the AOV from the previous stage.

The third stage contains the final adder as well as a continuation of the TOV/AOV circuitry. The register at this level is the last storage element before the ASIC output. TOV and AOV are stored along with the operand. The last register is presented to one input of a 2:1 multiplexer before leaving the chip through the boundary scan cells and pads. The other side of the multiplexer is fed by an 8:1 multiplexer which passes any one of the eight input operands, less the two overflow bits, to the output of the ASIC.

The Boundary Scan ASIC has several functions. Firstly, it provides control for board level boundary scan functions. Secondly, it provides drivers for sending data over the point-to-point links on the backplane and inter-crate cables. Thirdly, it provides simple algorithms needed for manipulating data, e.g., to reduce the corner tower data

from 7 bits to 3 bits while ensuring that the setting of any upper bits in input saturates the 3-bit scale.

The Isolation ASIC, shown in Figure 5, handles four electromagnetic energies on a 7-bit scale along with the corresponding Veto bit, every 6.25 ns. Nearest neighbors are also included in the data flow. During the first cycle of every crossing the four neighboring energies from the adjacent 4 x 4 region are also be strobed into the ASIC. The neighbors along either edge of the 4 x 4 region are also included, two at a time during each 6.25 ns period. Finally, the last cycle strobes in the four neighboring towers of the bottom edge. Thus, in one bunch crossing time, a total of 36 towers are clocked into the Isolation ASIC.

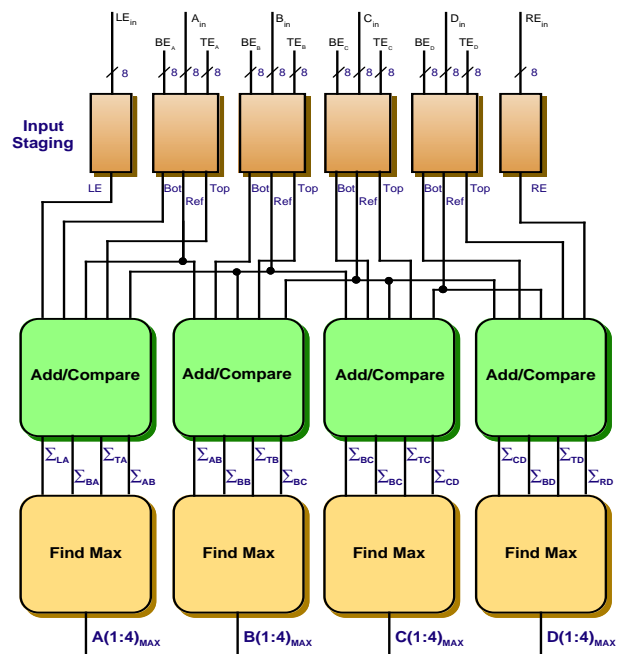


Figure 5. Isolation ASIC logic

The main data flow of the Isolation ASIC processes the data through three separate blocks. The purpose of the first of these, the Input Staging, is to receive the data at the time when it is available and change the time relationship to one suitable for the processing that follows. At the beginning of a crossing, the first row of the 4 x 4 array is available, along with the top edge. The signal Cycle 1 selects the Top Edge input on the right hand multiplexer. After the first 6.25 ns clock, the first rank of registers contain one of the towers in the 4 x 4 array (a reference tower) along with its top neighbor. The left most register in the top rank is undefined at the beginning of the sequence. After a second clock cycle, the reference tower is in the middle register of the bottom rank of registers and its top neighbor is in the right hand register. The left-

most register in the bottom rank contains the next successive reference tower, as does the middle register in the top rank. This value is the bottom nearest neighbor for the first reference tower. The sequence continues through to the cycle where the last reference tower in a column of 4 towers is clocked into the middle register in the bottom rank. During the same cycle the Bottom Edge data is available from the neighboring card. It is clocked into the bottom left register during Cycle 1 at the beginning of the next sequence.

The Input Staging block places each reference tower and its neighbors in the same time frame. The remaining blocks in the chip can now handle the processing in parallel. The function of the Add/Compare block is to form four sums between a reference tower and its top, bottom, left and right neighbors. At the same time the sums are being formed, four compares are made to determine for each pair of towers whether the reference tower is larger than or equal to its neighbor (equality check). When a reference tower and its neighbor satisfy the equality check the sum of the pair is enabled to the Find Max block. When the sum is disabled, a value of zero is passed on to the next block.

The next to last stage in processing the electromagnetic information is the Find Max block. The four sums are presented, in parallel, to two comparators. The outputs of these comparators are used to select the maximum of each pair, which are placed in intermediate storage. These two maxima are presented to a single comparator during the next clock cycle. The output of this comparator is the maximum two-tower sum for an individual reference tower. The single maximum from the original four values is stored in a register. The Veto bits are stored with each of these sums. A final stage of logic sorts through all 16 maxima generated over a bunch crossing time and places that value, along with its Vetoes, on the outputs of the ASIC. The total latency for the electromagnetic data path is 12×6.25 ns or 3.0 bunch crossing times.

The Sort ASIC finds the four largest of eight 6-bit values. Six bits is sufficient to handle both the E_T sums and the electron candidates. Figure 6 is an illustration of the major functional blocks that make up the ASIC. Rather than try to design an ASIC that handles eight 6-bit operands in parallel, it was decided to shift the data in, four operands at a time, over two 6.25 ns cycles.

The algorithm implemented within the Sort ASIC is based on a simple rotation of operands. The eight operands are divided into two groups of four. The operands are compared in pairs between the two groups, with the larger of the two taking over the position of the left-hand member of the pair. This comparison is performed in four stages with a rotation of compared pairs occurring between

each stage. By the end of the fourth stage a sufficient number of comparisons have been made to ensure the four largest values are in the left-hand group. In order to save steps, and thus minimize the total latency, these four values are not placed in any rank order.

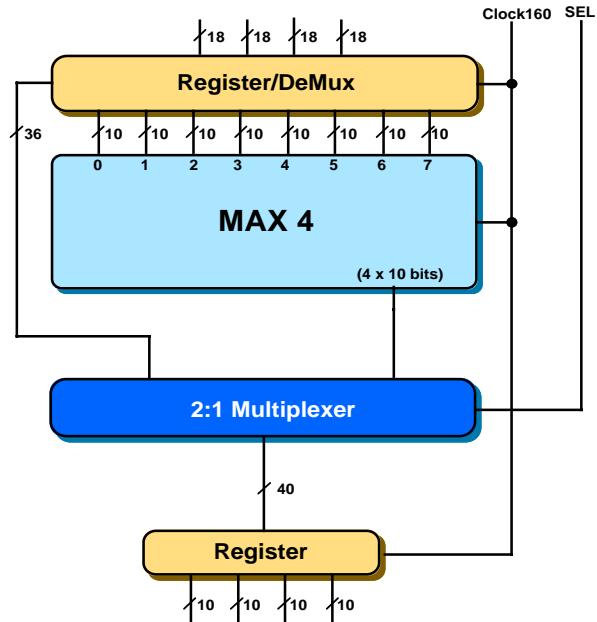


Figure 6. Sort ASIC Logic.

4. CONCLUSIONS

The CMS regional Calorimeter high-speed ASIC prototypes have been submitted for manufacture. They implement revised trigger algorithms. The Adder ASIC has been tested and its production finished. The 160 MHz ECL I/O of these ASICs enables the construction of a compact Level 1 calorimeter trigger with low latency.

This work is supported by the United States Department of Energy and the University of Wisconsin.

5. REFERENCES

- [1] J. Varela *et al.*, Preliminary specification of the baseline calorimeter trigger algorithms, CMS-TN/96-010.
- [2] CMS HCAL TDR, CERN/LHCC 97-31, 20 June 1997; CMS ECAL TDR, CERN/LHCC 97-33, 15 December 1997.
- [3] J. Lackey *et al.*, CMS Calorimeter Level 1 Regional Trigger Conceptual Design, CMS NOTE-1998/074 (1998).