

STARS

University of Central Florida
STARS

UCF Patents

Technology Transfer

2-3-2009

Head Mounted Display with Eye Accommodation having 3-D Image Producing System Consisting of, For Each Eye, One Single Planar Display Screen, One Single Planar Tunable Focus LC Micro-Lens Array, One Single Planar Black Mask and Bias Lens

Shin-Tson Wu
University of Central Florida

Qi Hong
University of Central Florida

Ruibo Lu
University of Central Florida

Xinzhang Wu works at: <https://stars.library.ucf.edu/patents>
University of Central Florida
University of Central Florida Libraries <http://library.ucf.edu>

This Patent is brought to you for free and open access by the Technology Transfer at STARS. It has been accepted for inclusion in UCF Patents by an authorized administrator of STARS. For more information, please contact STARS@ucf.edu.

Recommended Citation

Wu, Shin-Tson; Hong, Qi; Lu, Ruibo; and Wu, Xinzhang, "Head Mounted Display with Eye Accommodation having 3-D Image Producing System Consisting of, For Each Eye, One Single Planar Display Screen, One Single Planar Tunable Focus LC Micro-Lens Array, One Single Planar Black Mask and Bias Lens" (2009). *UCF Patents*. 213.

<https://stars.library.ucf.edu/patents/213>



(12) **United States Patent**
Hong et al.

(10) **Patent No.:** **US 7,486,341 B2**
(45) **Date of Patent:** **Feb. 3, 2009**

(54) **HEAD MOUNTED DISPLAY WITH EYE ACCOMMODATION HAVING 3-D IMAGE PRODUCING SYSTEM CONSISTING OF, FOR EACH EYE, ONE SINGLE PLANAR DISPLAY SCREEN, ONE SINGLE PLANAR TUNABLE FOCUS LC MICRO-LENS ARRAY, ONE SINGLE PLANAR BLACK MASK AND BIAS LENS**

5,355,181 A 10/1994 Ashizaki et al.
5,499,138 A * 3/1996 Iba 359/569
5,506,705 A * 4/1996 Yamamoto et al. 349/13
5,666,174 A * 9/1997 Cupolo, III 349/64

(Continued)

(75) **Inventors:** **Qi Hong**, Orlando, FL (US); **Ruibo Lu**, Orlando, FL (US); **Thomas Xinzhang Wu**, Oviedo, FL (US); **Shin-Tson Wu**, Oviedo, FL (US)

OTHER PUBLICATIONS

Hongwen Ren, Yun-Hsing Fan, Sebastian Gauza, Shin-Tson Wu, "Tunable Microlens Arrays Using Polymer Network Liquid Crystal", Optics Communications, vol. 230 (2004) pp. 267-271, Nov. 13, 2003, www.sciencedirect.com.

(73) **Assignees:** **University of Central Florida Research Foundation, Inc.**, Orlando, FL (US); **Toppely Optoelectronics Corp.**, Miao-Li County (TW)

(Continued)

(*) **Notice:** Subject to any disclaimer, the term of this patent is extended or adjusted under 35 U.S.C. 154(b) by 0 days.

Primary Examiner—David Nelms
Assistant Examiner—John Heyman
(74) *Attorney, Agent, or Firm*—Brian S. Steinberger; Phyllis K. Wood; Law Office of Brian S. Steinberger, P.A.

(57) **ABSTRACT**

(21) **Appl. No.:** 11/266,612

Systems, methods, apparatus and devices for head mounted stereoscopic 3-D display devices using the tunable focus liquid crystal micro-lens array eye to produce eye accommodation information. A liquid crystal display panel displays stereoscopic images and uses tunable liquid crystal micro-lens array to change the diopter of the display pixels to provide eye accommodation information. The head mounted display device includes a planar display screen, planar tunable liquid crystal micro-lens array and planar black mask. The display device may optionally include a bias lens. In an embodiment, the display device also includes a backlight and a prism sheet for displaying the images on the display screen. The display screen, tunable liquid crystal micro-lens array, black mask and optional backlight and prism may be flat or curved.

(22) **Filed:** Nov. 3, 2005

(65) **Prior Publication Data**
US 2007/0097277 A1 May 3, 2007

(51) **Int. Cl.**
G02F 1/1335 (2006.01)

(52) **U.S. Cl.** 349/11; 349/13; 349/15; 349/95

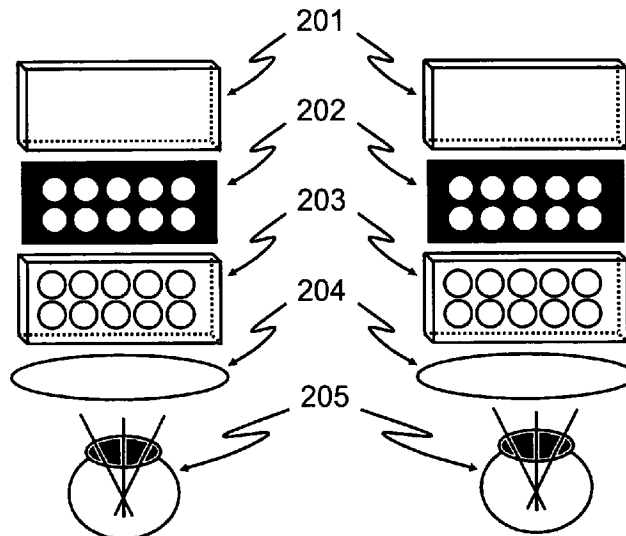
(58) **Field of Classification Search** 349/11, 349/13, 15, 95
See application file for complete search history.

(56) **References Cited**

U.S. PATENT DOCUMENTS

4,130,832 A 12/1978 Sher

4 Claims, 17 Drawing Sheets



U.S. PATENT DOCUMENTS

| | | | | |
|--------------|------|---------|----------------------|---------|
| 6,690,516 | B2 * | 2/2004 | Aritake et al. | 359/630 |
| 6,714,174 | B2 * | 3/2004 | Suyama et al. | 345/32 |
| 6,809,786 | B2 * | 10/2004 | Lee | 349/115 |
| 2001/0005284 | A1 * | 6/2001 | Lee et al. | 359/619 |
| 2002/0123175 | A1 * | 9/2002 | Yamazaki et al. | 438/149 |
| 2002/0186339 | A1 * | 12/2002 | Hirakata et al. | 349/141 |
| 2004/0150758 | A1 * | 8/2004 | Tomono | 349/11 |
| 2004/0212550 | A1 * | 10/2004 | He | 345/6 |
| 2004/0246391 | A1 | 12/2004 | Travis | |

OTHER PUBLICATIONS

Hongwen Ren, Yun-Hsing Fan, Sebastian Gauza, Shin-Tson Wu, "Tunable-focus Flat Liquid Crystal Spherical Lens," Applied Physics Letters, vol. 84, No. 23, Jun. 7, 2004 pp. 4789-4791, <http://apl.aip.org/apl/copyright.jsp>.
Yi-Hsin Lin, Hongwen Re, Kuan-Hsu Fan-Chiang, Wing-Kit Choi, Sebastian Gauza, Xinyu Zhu and Shin-Tson Wu, "Tunable-Focus Cylindrical Liquid Crystal Lenses.," Japanese Journal of Applied Physics, vol. 44, No. 1A, (2005), pp. 243-244.

* cited by examiner

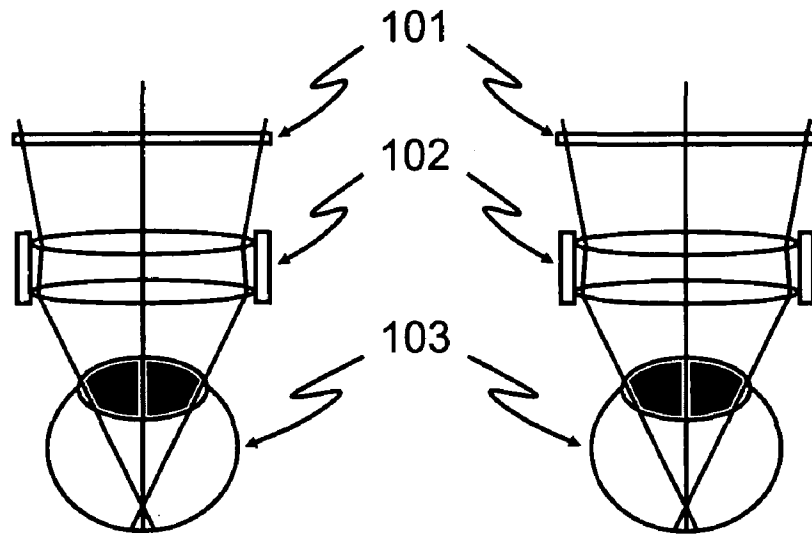


FIG. 1 PRIOR ART

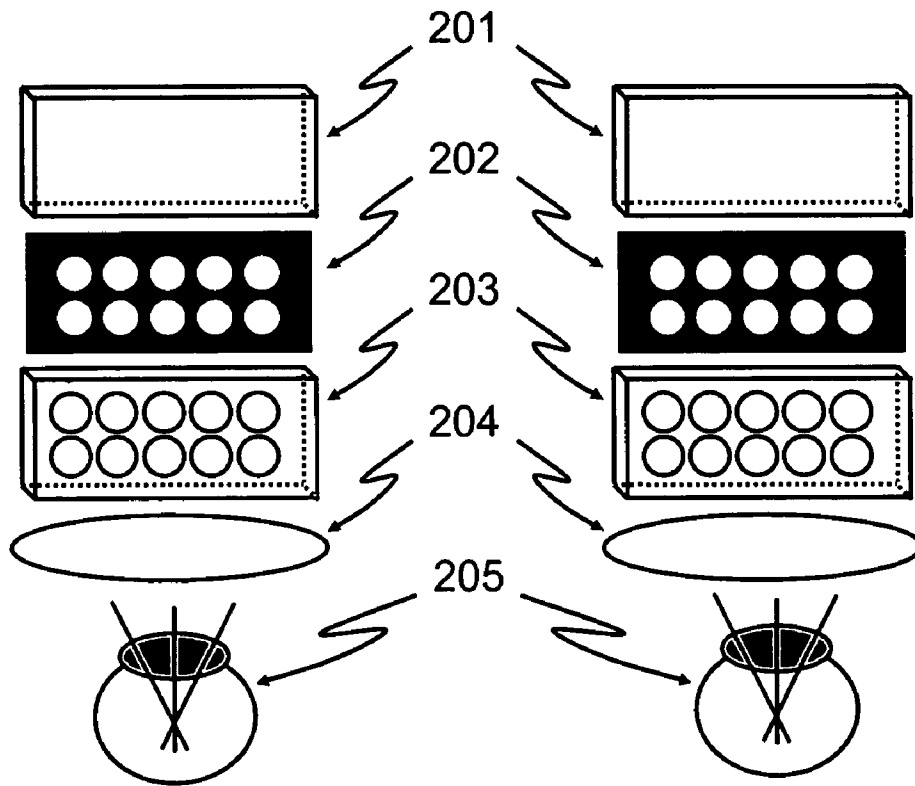


FIG. 2

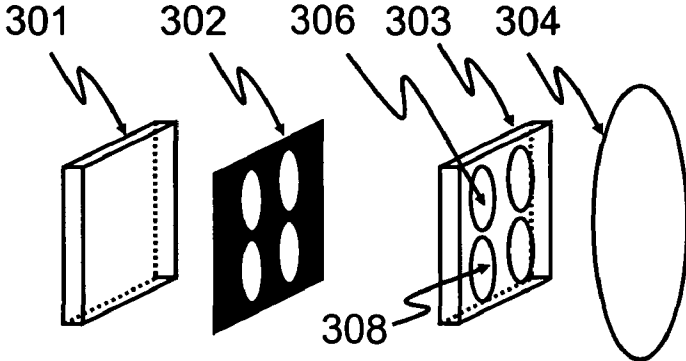


FIG. 3a

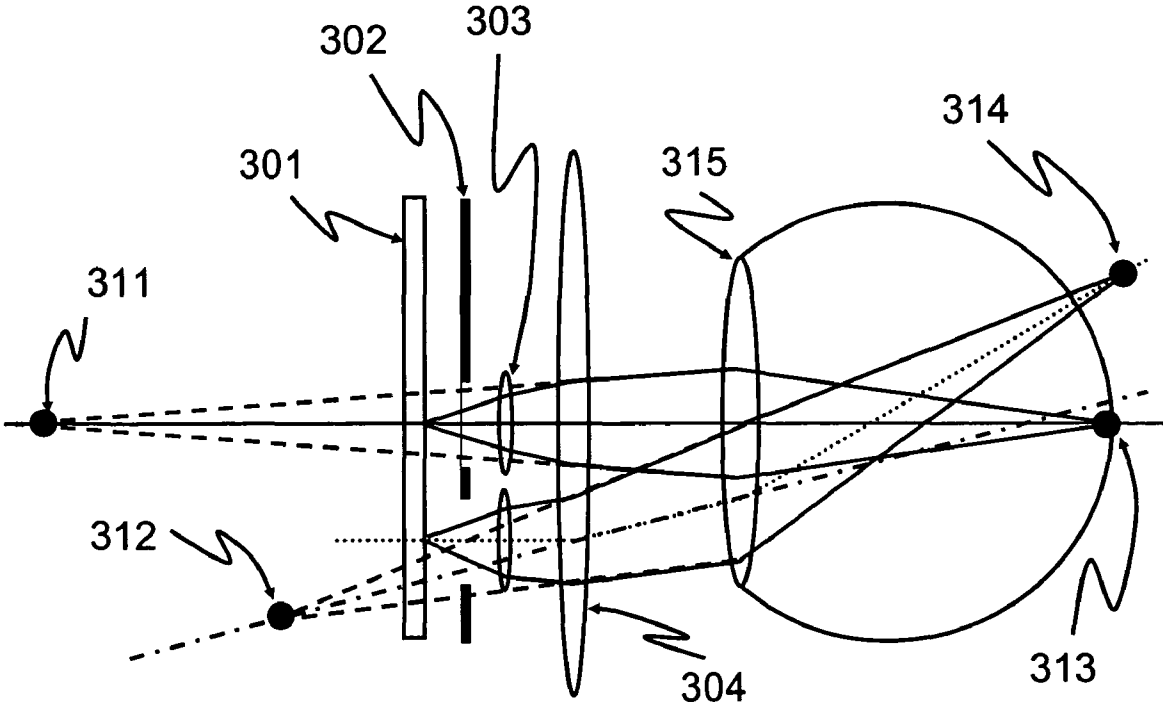


FIG. 3b

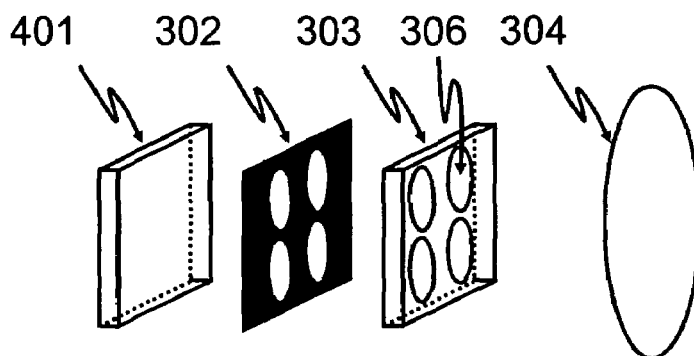


FIG. 4(a)

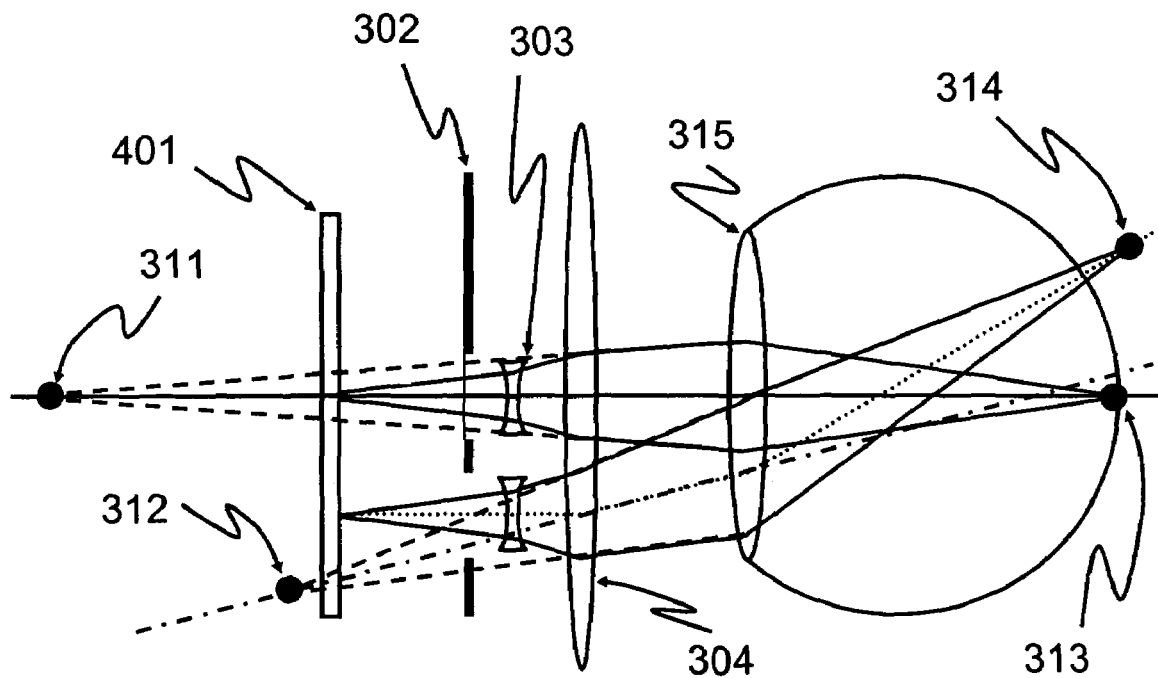


FIG. 4(b)

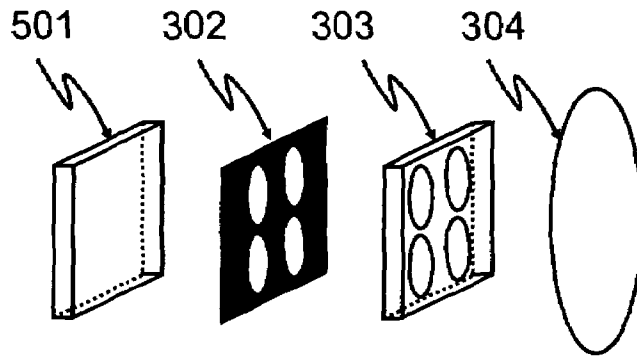


FIG. 5(a)

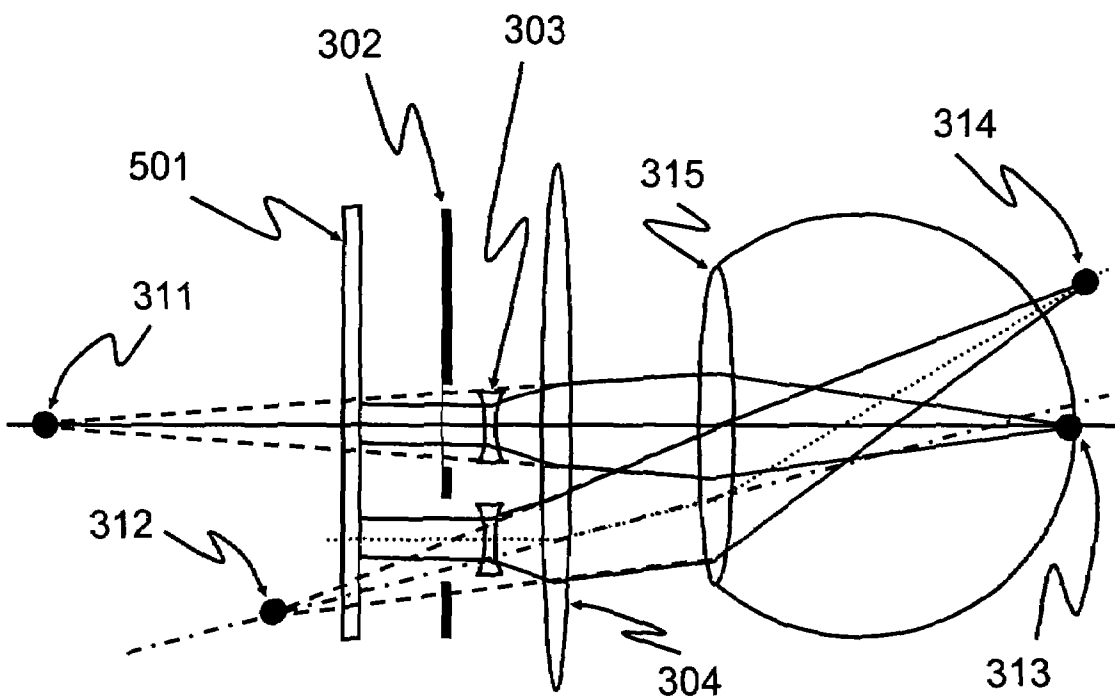


FIG. 5(b)

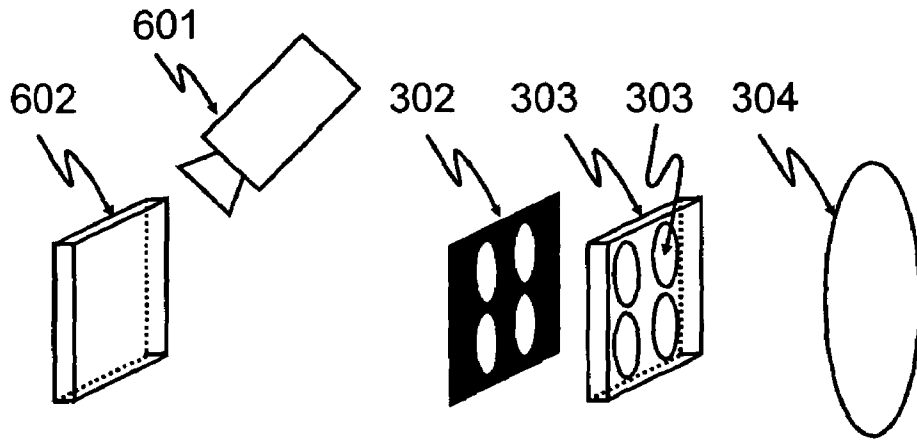


FIG. 6(a)

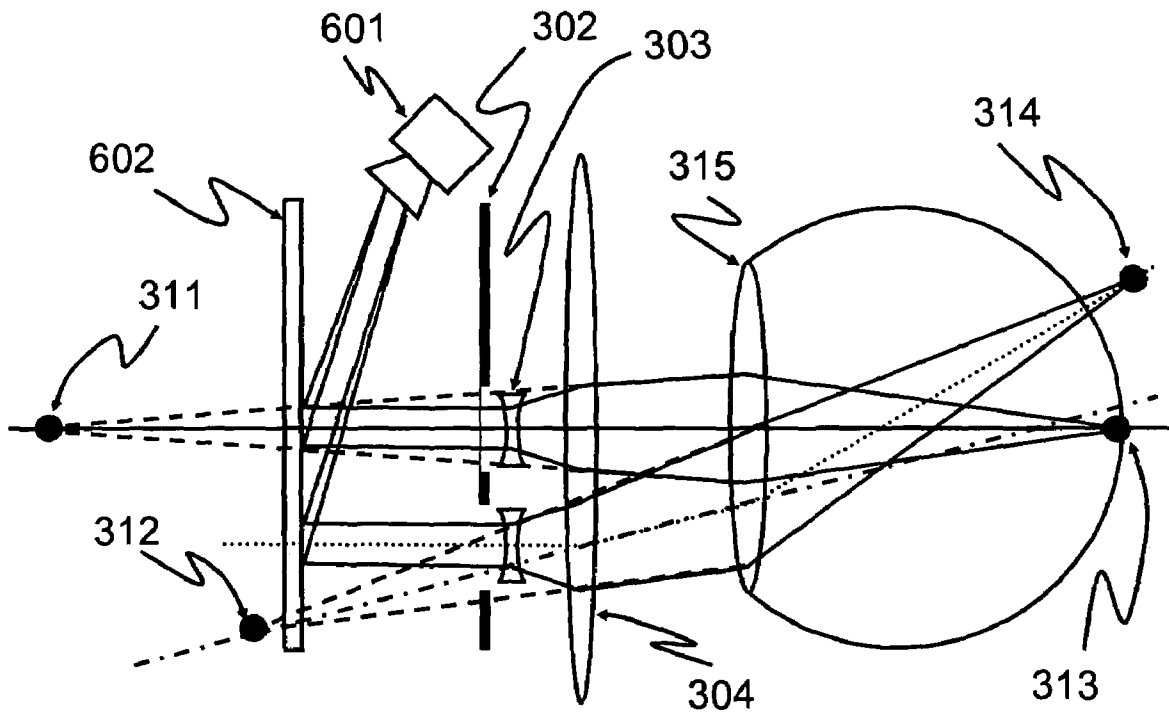


FIG. 6(b)

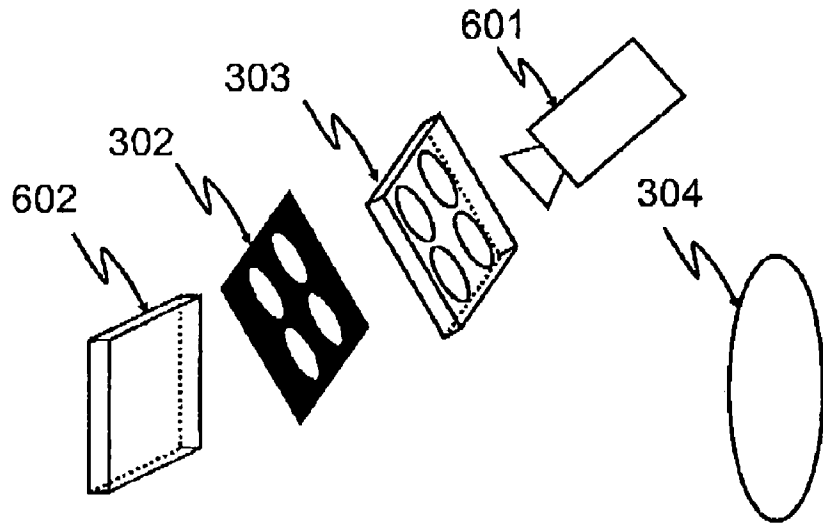


FIG. 6(c)

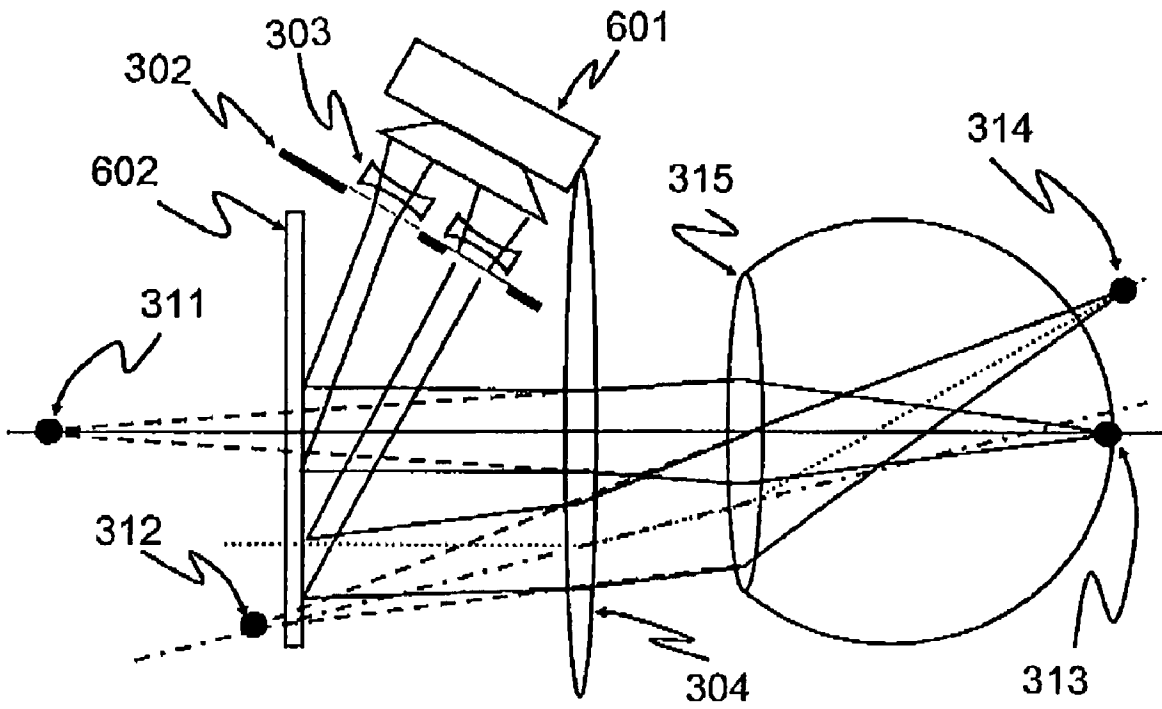


FIG. 6(d)

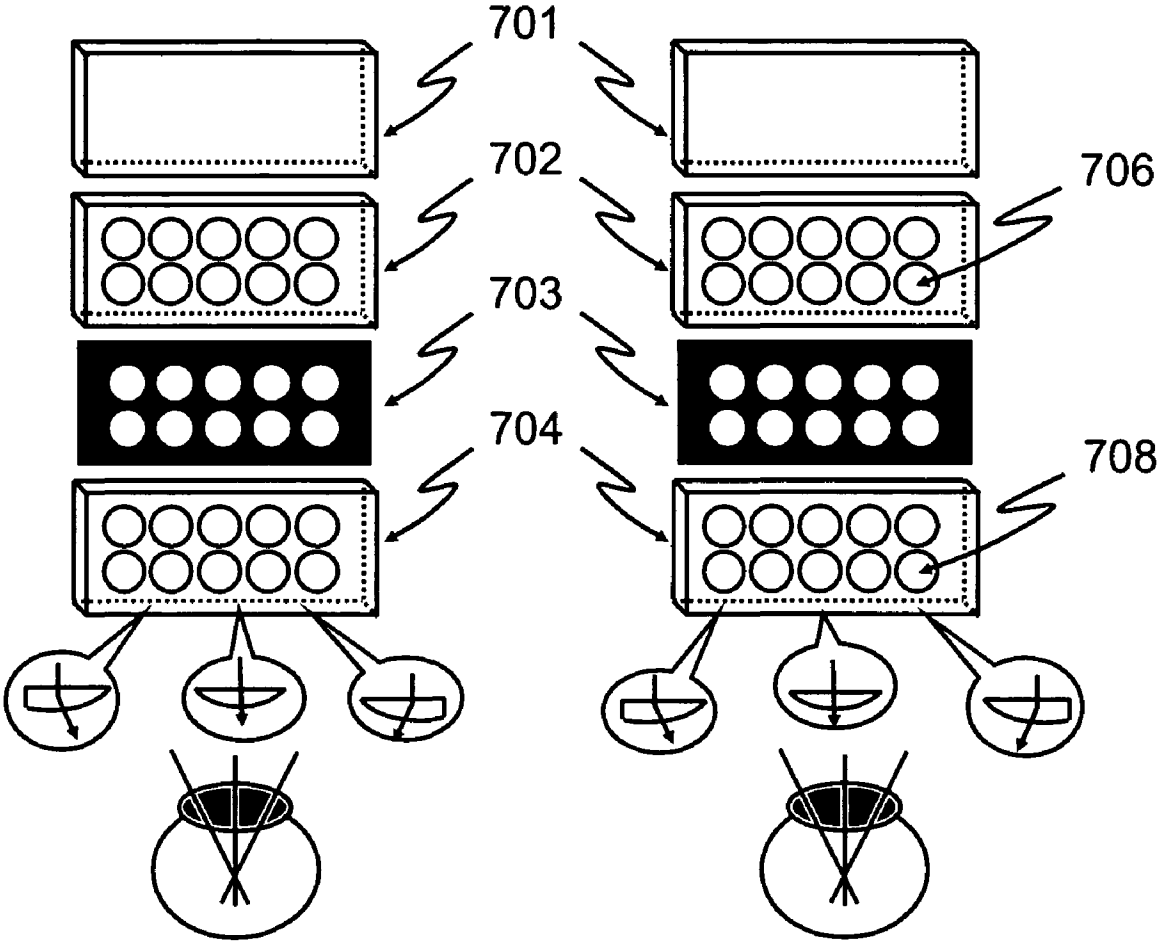


FIG. 7

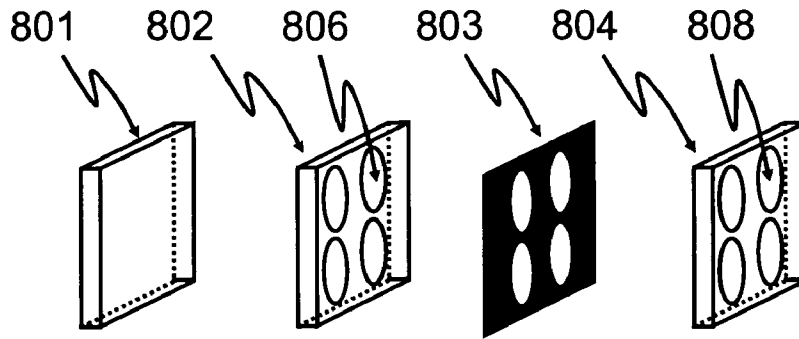


FIG. 8(a)

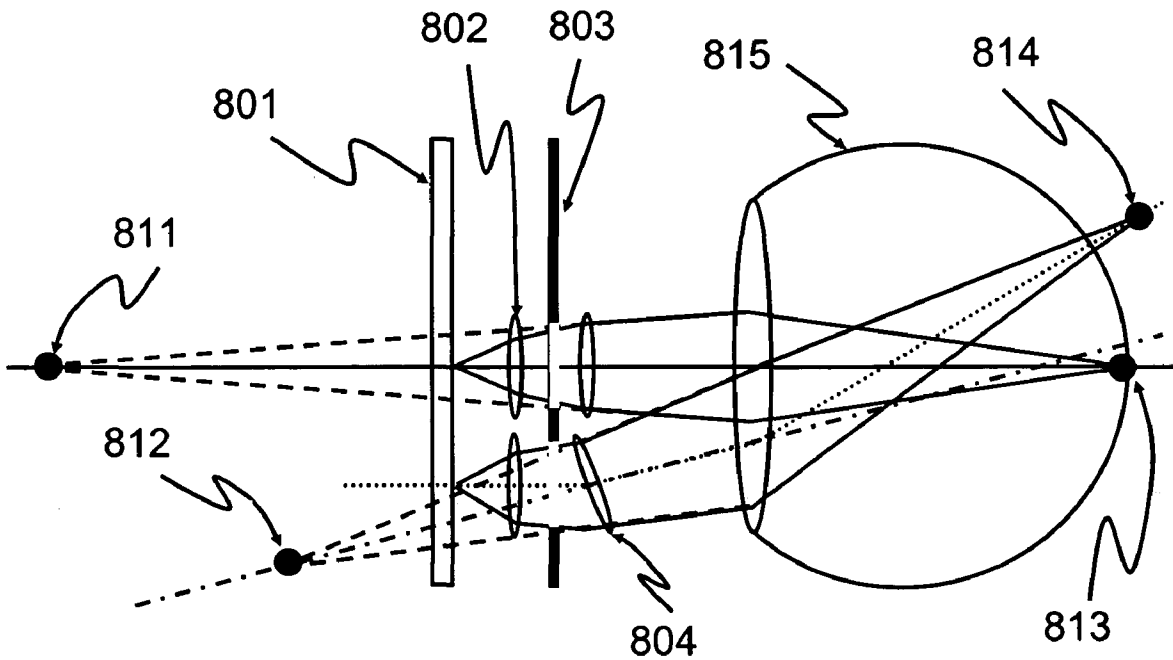


FIG. 8(b)

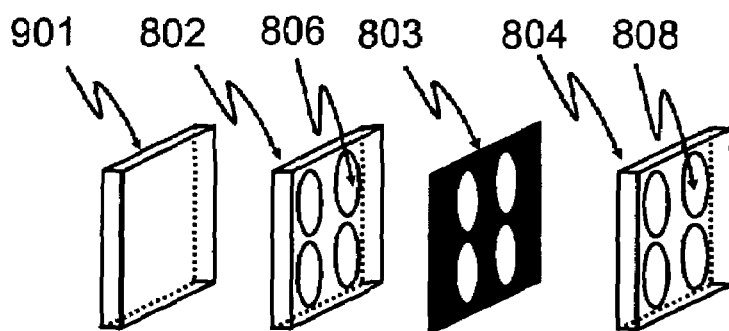


FIG. 9(a)

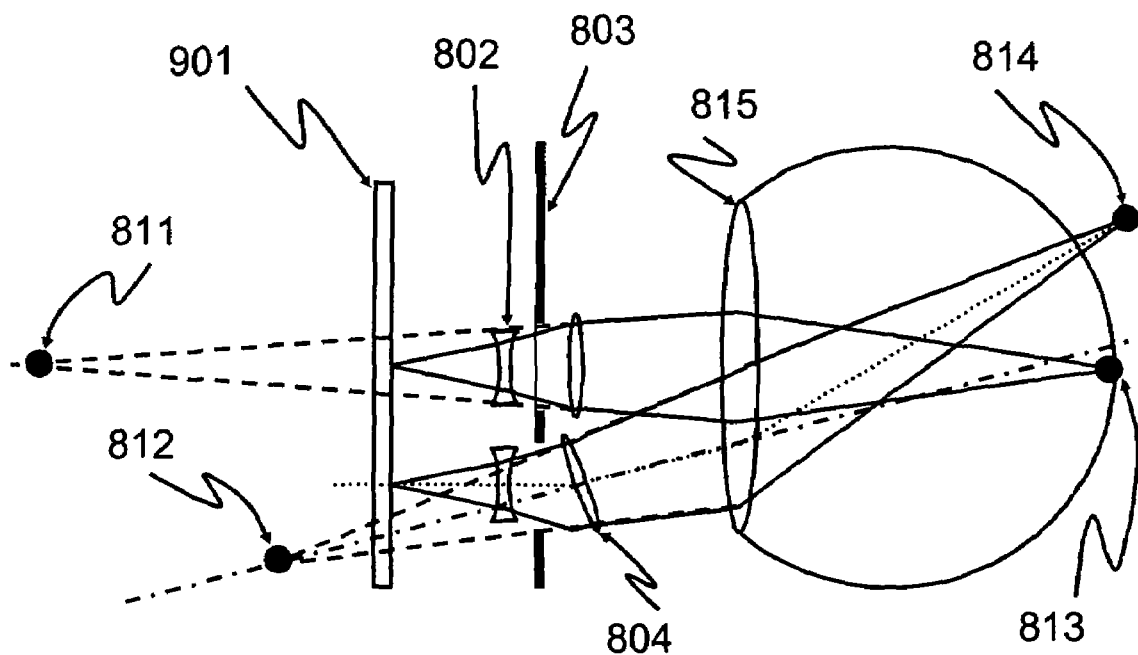


FIG. 9(b)

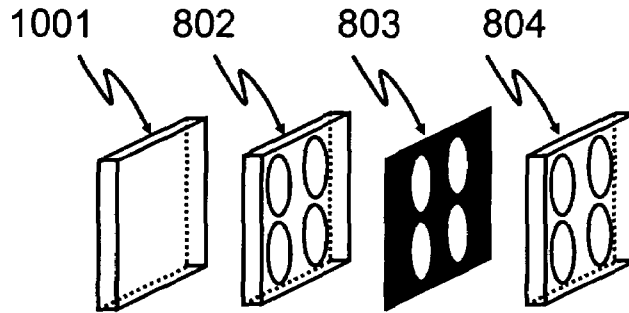


FIG. 10(a)

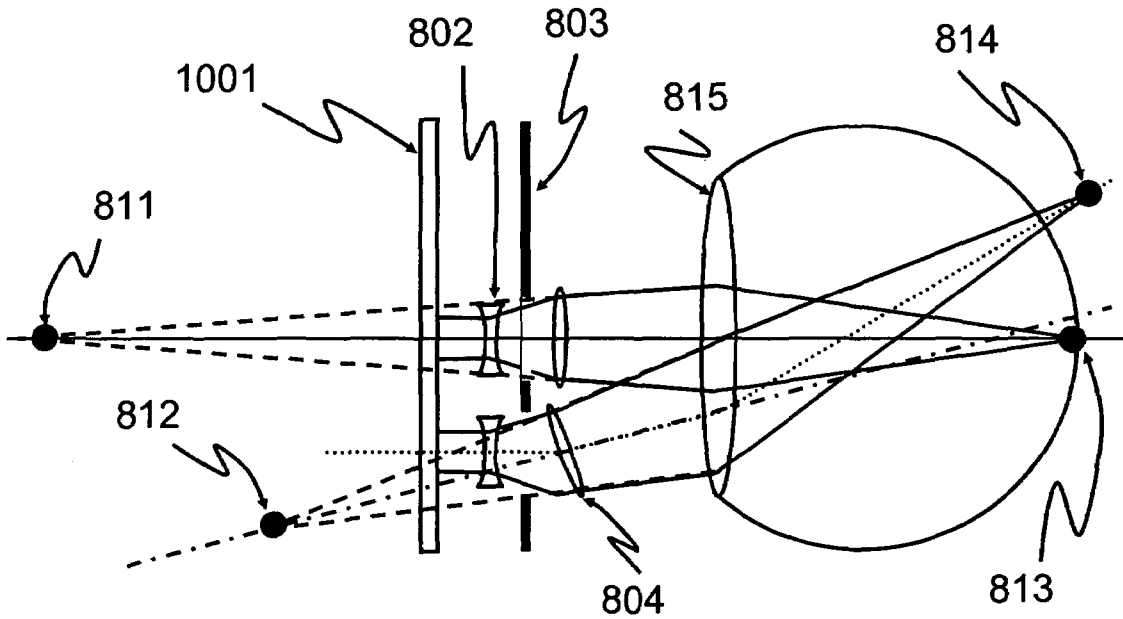


FIG. 10(b)

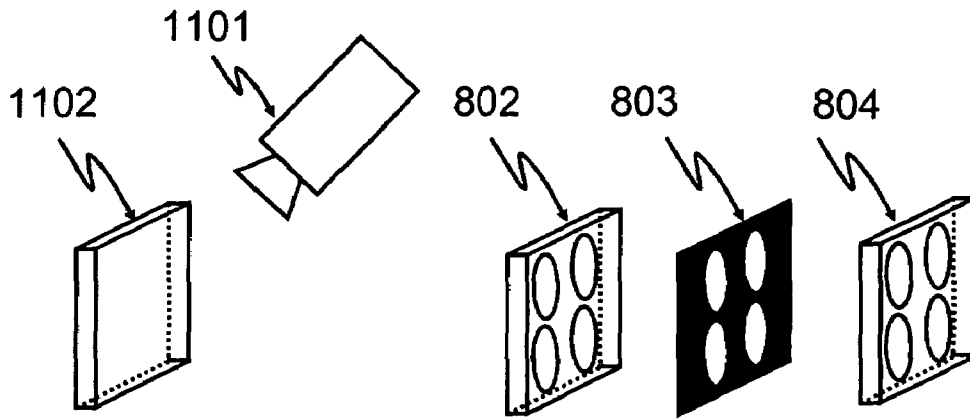


FIG. 11(a)

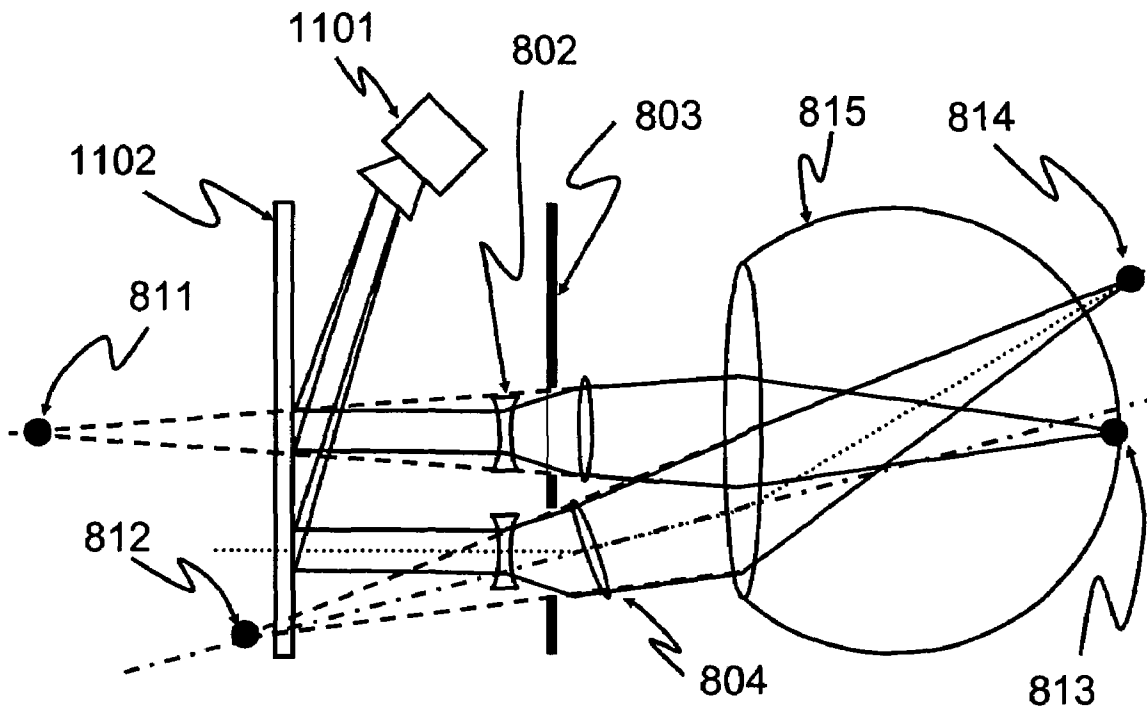


FIG. 11(b)

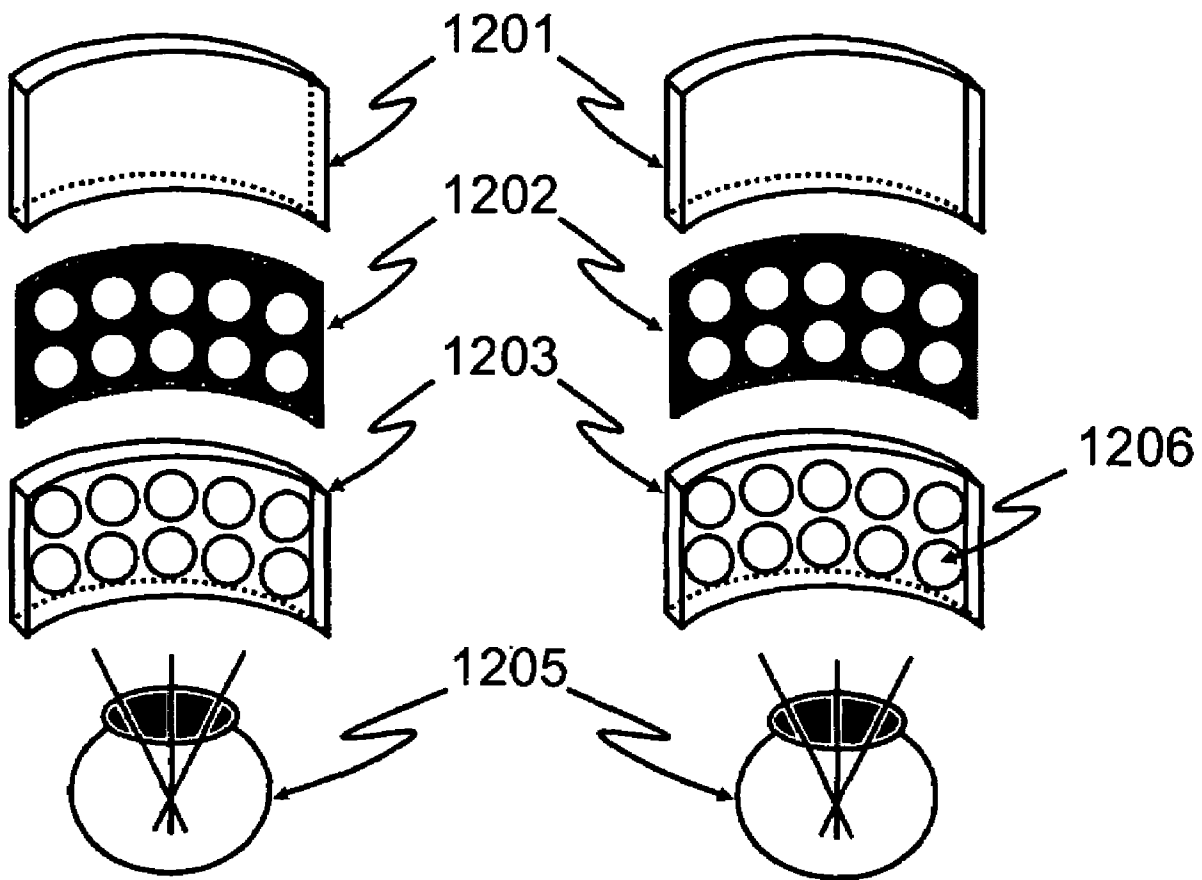


FIG. 12

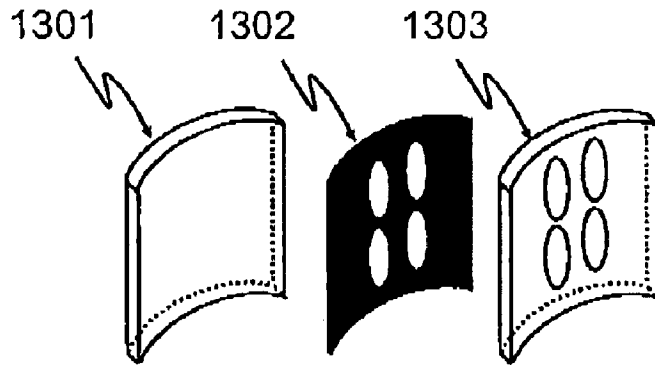


FIG. 13(a)

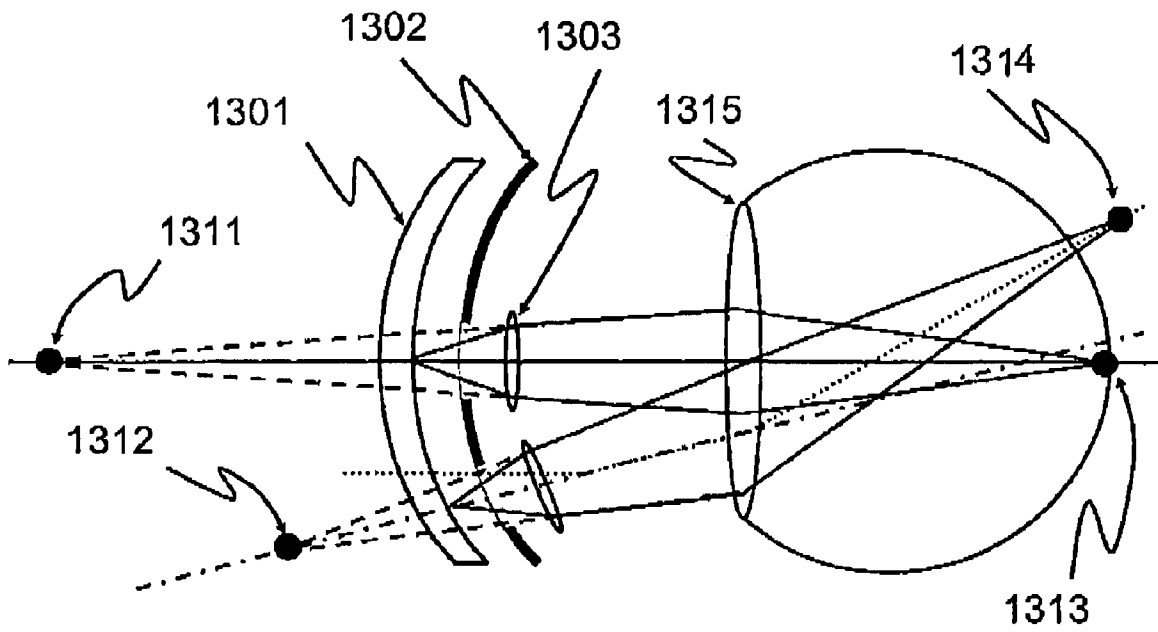


FIG. 13(b)

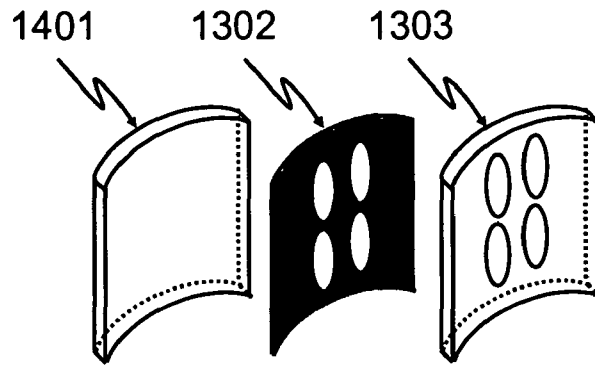


FIG. 14(a)

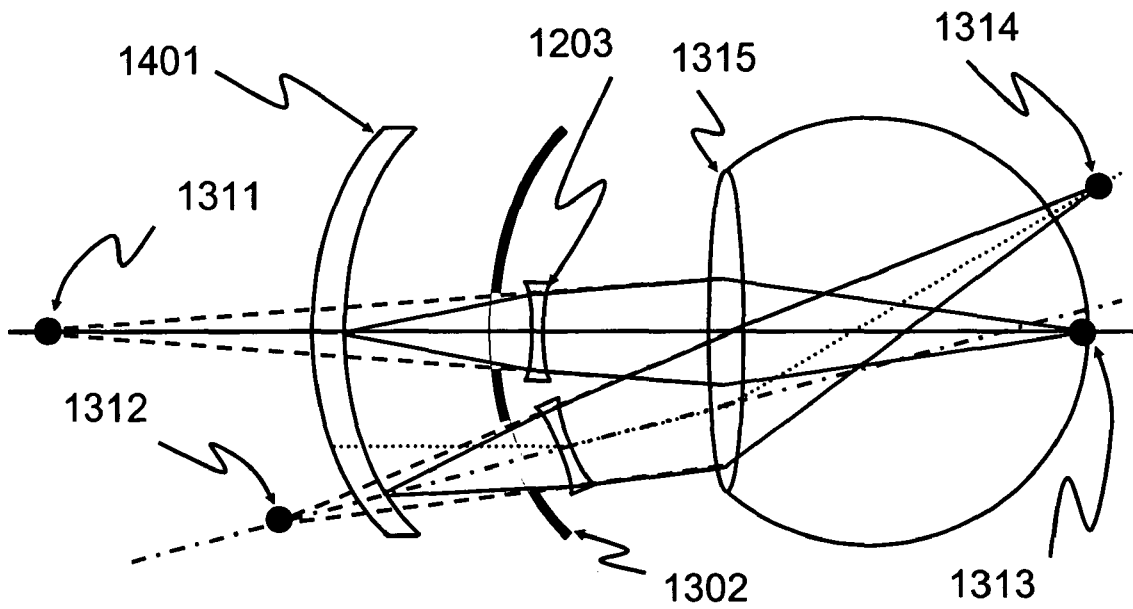


FIG. 14(b)

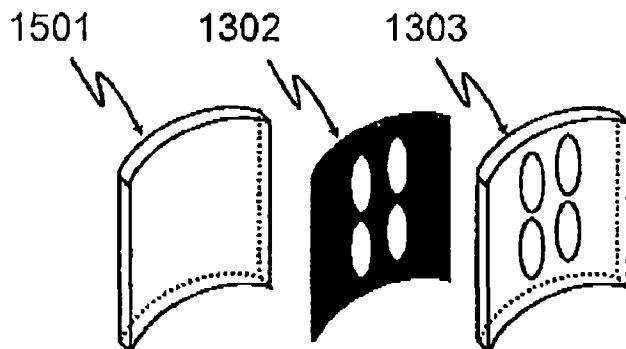


FIG. 15(a)

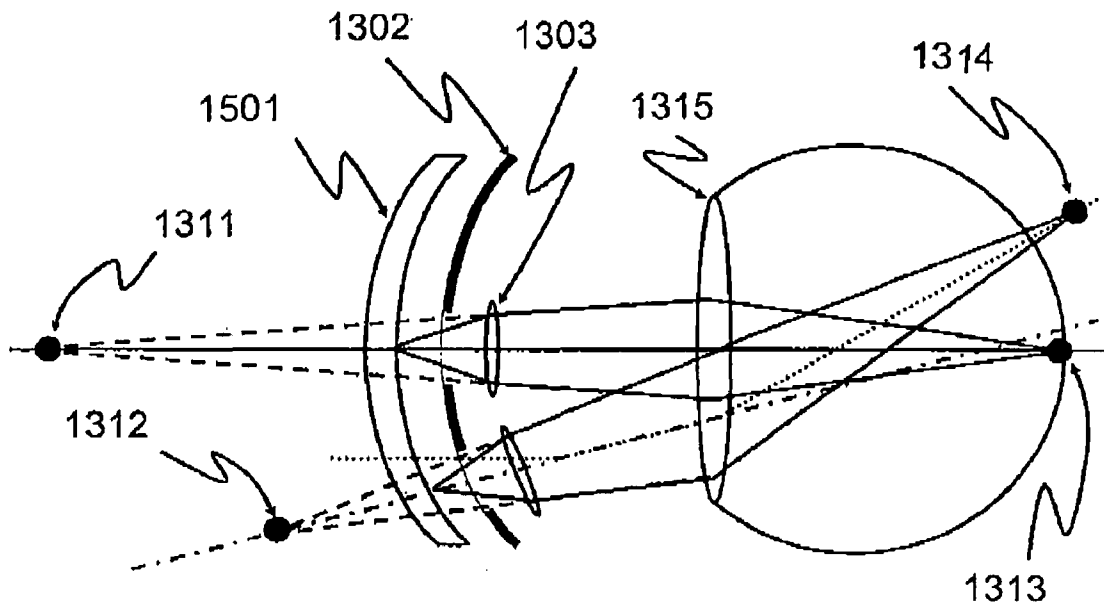


FIG. 15(b)

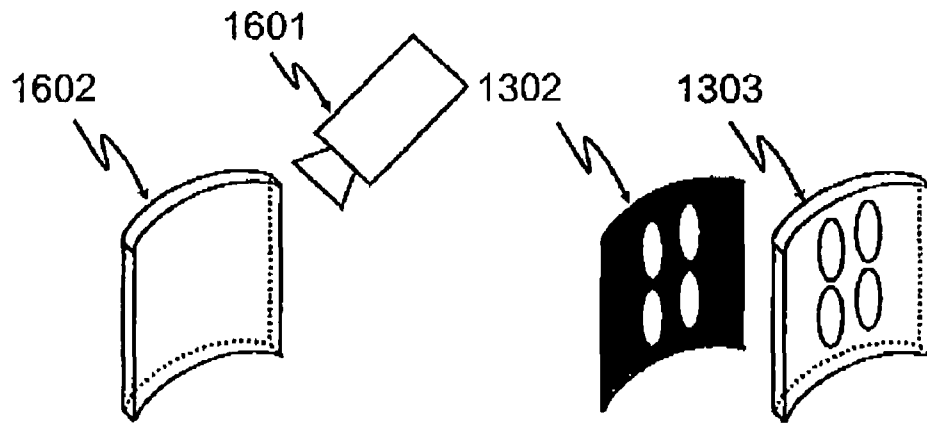


FIG. 16(a)

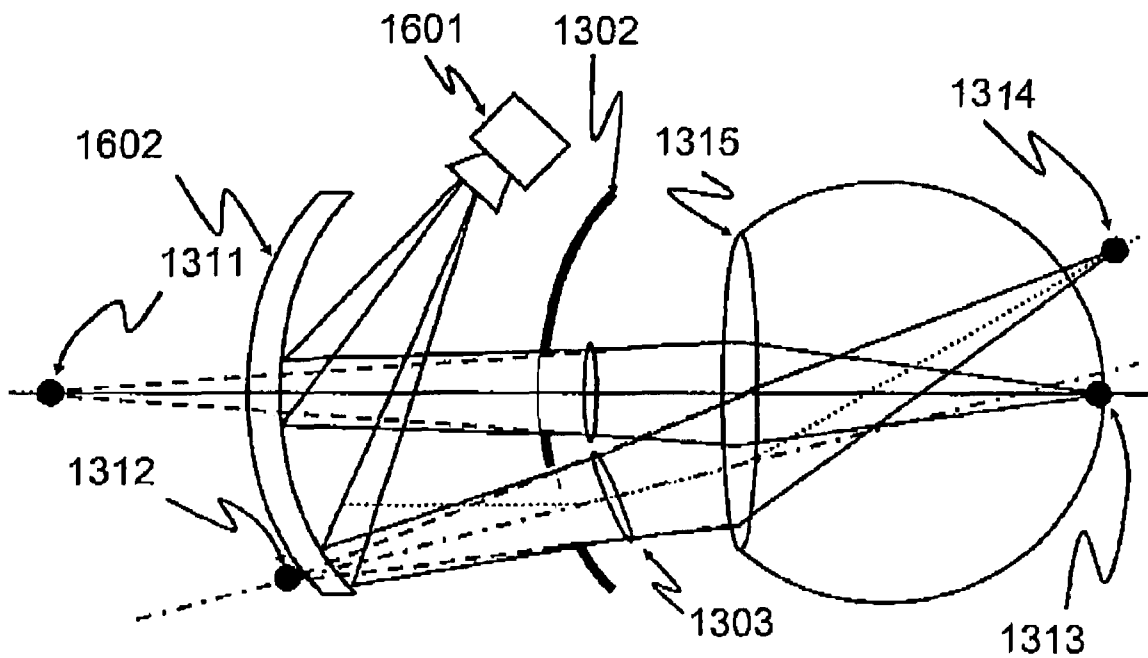


FIG. 16(b)

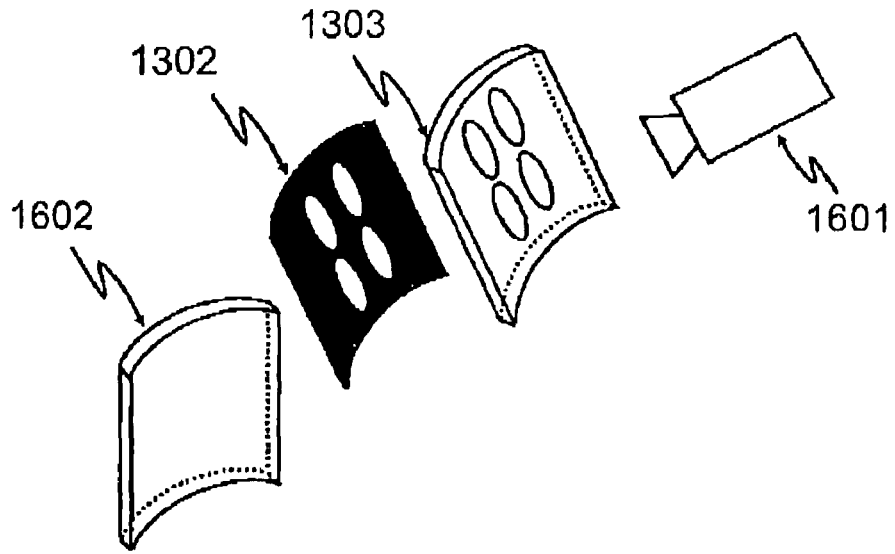


FIG. 16(c)

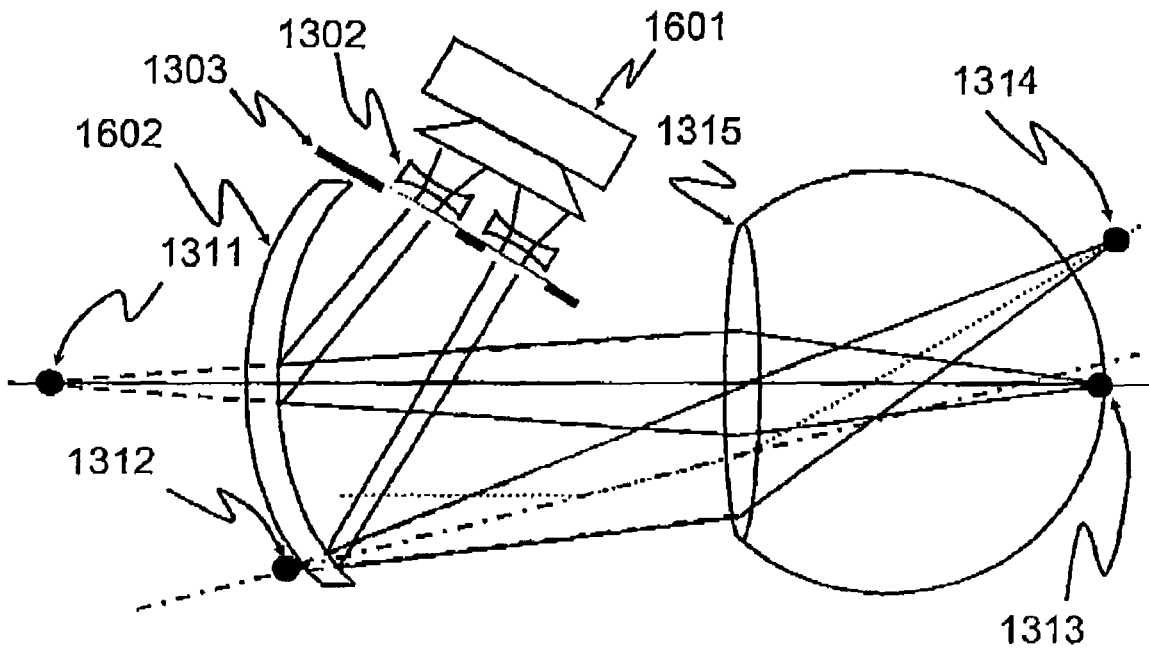


FIG. 16(d)

1

**HEAD MOUNTED DISPLAY WITH EYE
ACCOMMODATION HAVING 3-D IMAGE
PRODUCING SYSTEM CONSISTING OF, FOR
EACH EYE, ONE SINGLE PLANAR DISPLAY
SCREEN, ONE SINGLE PLANAR TUNABLE
FOCUS LC MICRO-LENS ARRAY, ONE
SINGLE PLANAR BLACK MASK AND BIAS
LENS**

FIELD OF THE INVENTION

The present invention relates to head mounted displays and, in particular, to apparatus, methods, systems and devices for head mounted stereoscopic 3-D display devices using the tunable focus liquid crystal micro-lens array eye to produce accommodation information, wherein the tunable liquid crystal micro-lens array changes the diopter of the display pixels to provide the eye accommodation information.

BACKGROUND AND PRIOR ART

The perception of three dimensional images is a visual effect created by stereoscopy, visual accommodation, perspective (apparent size dependent on distance), occlusion (objects in front hide what is behind), atmospheric effects (objects in the distance appear hazy), shading, and so on. Images presented by planar displays, such as CRTs, LCDs, projection displays, laser scan displays, and others, provide visual clues of a three dimensional image using perspective, occlusion, shading, and atmospheric effects at a fixed visual focal length that determined by the distance between the display screen and the audience. Stereoscopic displays, such as 3-dimensional LCDs and 3-dimensional head mounted displays, provide spatially distinct images to each eye so that the stereoscopy is also included in the visual clues for the perception of three dimensional images.

Although some 3-dimensional head mounted displays are superior to 3-dimensional LCDs in providing better stereoscopy images, the displayed images are still at a fixed visual focal length while the stereoscopy and visual accommodation are inherently related in the perception of a three dimensional image. Furthermore, because high power lenses are required to provide visible image on a screen adjacent to the eye, bulky configuration and heavy weight are the common problems in the optical system of conventional head mounted displays, especially when the field of view is increased. FIG. 1 shows the schematic diagram of the optical system in such a prior art. According to U.S. Pat. No. 4,130,832 issued to Sher on Dec. 19, 1978, and U.S. Pat. No. 5,355,181 issued to Ashizaki et al on Oct. 11, 1994 and U.S. Publication No. 2004/0130783 A1 published on Jul. 8, 2004, inventions about 3-D head mounted displays using variable focal length elements to modulate scanning light beam provided a solution to relating visual accommodation with the stereoscopy.

However, the high cost, complex configuration, high requirements of components arrangement accuracy are significant problems. According to prior art publications include Ren, Hongwen, Tunable microlens arrays using polymer network liquid crystal, Optics Communication, vol. 230 (2004), p. 267-271, and Lin, Yi-Hsin et al., Tunable-focus cylindrical liquid crystal lenses, Japanese Journal of Applied Physics, vol. 44 (2005), p. 243, and Ren, Hongwen, Tunable-focus flat liquid crystal spherical lens, Applied Physics Letter, vol. 84 (2004), p. 4789, several tunable focus liquid crystal lens were described.

2

Therefore, a need exists for a low cost method and device of head mounted display providing stereoscopy images with visual accommodation and the presented device is slim and light weight.

SUMMARY OF THE INVENTION

A primary objective is to provide apparatus, methods, systems and devices for producing eye accommodation information using the tunable focus liquid crystal micro-lens array for head mounted stereoscopic 3-dimensional displays.

A secondary objective is to provide apparatus, methods, systems and devices using tunable liquid crystal micro-lens array to change the diopter of the display pixel to provide eye accommodation information.

A third objective is to provide apparatus, methods, systems and devices for producing light weight head mounted visual displays with eye accommodation information.

A fourth objective is to provide apparatus, methods, systems and devices for a compact size head mounted visual displays for displaying three dimensional images with visual accommodation.

A fifth objective is to provide apparatus, methods, systems and devices for the head mounted visual display to display three dimensional images with visual accommodation with a high resolution.

A sixth objective is to provide apparatus, methods, systems and devices for head mounted visual displays with large field of view.

A seventh objective is to provide apparatus, methods, systems and devices for displaying three dimensional images with visual accommodation at a low cost.

A first preferred embodiment of the invention is to provide an improved method and device for producing eye accommodation information by alternating the diopter of display pixel using the tunable focus liquid crystal micro-lens array wherein the head mounted stereoscopic 3-D display devices. In a first embodiment, the display device comprises planar display screen, planar tunable liquid crystal micro-lens array, planar black mask, and bias lens.

In a second embodiment of the invention, the display device comprises planar display screen, planar tunable liquid crystal micro-lens array, planar black mask, and bias micro-lens array.

In a third embodiment of the invention, the display device comprises curved display screen, curved tunable liquid crystal micro-lens array, and curved black mask.

Further objectives, features, and advantages of this invention will be apparent from the following detailed descriptions of the presently preferred embodiments that are illustrated schematically in the accompanying drawings.

BRIEF DESCRIPTION OF THE FIGURES

FIG. 1 is a schematic diagram showing an example of a prior art head mounted 3-D display device with fixed focus length.

FIG. 2 is a schematic diagram showing an example of a head mounted 3-dimensional display device comprising planar display screen and tunable focus liquid crystal micro-lens array and bias lens according to a first embodiment of the present invention.

FIG. 3a is a schematic diagram showing an example of the configuration of the optical components according to the first embodiment.

3

FIG. 3*b* shows an example of a virtual image displayed on the planar emissive display screen being provided to the user as a retinal image using the configuration shown in FIG. 3*a*.

FIG. 4*a* is a schematic diagram showing another example of the configuration of the optical components according to the first embodiment.

FIG. 4*b* shows an example of a virtual image displayed on the planar transmissive display screen being provided to the user as a retinal image using the configuration shown in FIG. 4*a*.

FIG. 5*a* is a schematic diagram showing another example of the configuration of the optical components according to the first embodiment.

FIG. 5*b* shows an example of a virtual image displayed on the planar reflective display screen being provided to the user as a retinal image using the configuration shown in FIG. 5*a*.

FIG. 6*a* is a schematic diagram showing another example of the configuration of the optical components according to the first embodiment.

FIG. 6*b* shows another example of a virtual image displayed on the planar reflective display screen being provided to the user as a retinal image using the configuration shown in FIG. 6*a*.

FIG. 6*c* is a schematic diagram showing another example of the configuration of the optical components according to the first embodiment.

FIG. 6*d* shows another example of a virtual image displayed on the planar reflective display screen being provided to the user as a retinal image using the configuration shown in FIG. 6*c*.

FIG. 7 is a schematic diagram showing an example of a head mounted 3-dimensional display device having a planar display screen, tunable focus liquid crystal micro-lens array and bias micro-lens array according to a second embodiment of the present invention.

FIG. 8*a* is a schematic diagram showing an example of the configuration of the optical components according to a second embodiment.

FIG. 8*b* shows an example of a virtual image displayed on the planar emissive display screen being provided to the user as a retinal image using the configuration shown in FIG. 8*a*.

FIG. 9*a* is a schematic diagram showing another example of the configuration of the optical components according to the second embodiment.

FIG. 9*b* shows an example of a virtual image displayed on the planar transmissive display screen being provided to the user as a retinal image using the configuration shown in FIG. 9*a*.

FIG. 10*a* is a schematic diagram showing another example of the configuration of the optical components according to the second embodiment.

FIG. 10*b* shows an example of a virtual image displayed on the planar reflective display screen being provided to the user as a retinal image using the configuration shown in FIG. 10*a*.

FIG. 11*a* is a schematic diagram showing another example of the configuration of the optical components according to the second embodiment.

FIG. 11*b* shows another example of a virtual image displayed on the planar reflective display screen being provided to the user as a retinal image using the configuration shown in FIG. 11*a*.

FIG. 12 is a schematic diagram showing an example of a head mounted 3-dimensional display device comprising curved display screen and tunable focus liquid crystal micro-lens array according to a third embodiment.

4

FIG. 13*a* is a schematic diagram showing an example of the configuration of the optical components according to the third embodiment.

FIG. 13*b* shows an example of a virtual image displayed on the curved emissive display screen being provided to the user as a retinal image using the configuration shown in FIG. 13*a*.

FIG. 14*a* is a schematic diagram showing another example of the configuration of the optical components according to the third embodiment.

FIG. 14*b* shows an example of a virtual image displayed on the curved transmissive display screen being provided to the user as a retinal image using the configuration shown in FIG. 14*a*.

FIG. 15*a* is a schematic diagram showing another example of the configuration of the optical components according to the third embodiment.

FIG. 15*b* shows an example of a virtual image displayed on the curved reflective display screen being provided to the user as a retinal image using the configuration shown in FIG. 15*a*.

FIG. 16*a* is a schematic diagram showing another example of the configuration of the optical components according to the third embodiment.

FIG. 16*b* shows another example of a virtual image displayed on the curved reflective display screen being provided to the user as a retinal image using the configuration shown in FIG. 16*b*.

FIG. 16*c* is a schematic diagram showing another example of the configuration of the optical components according to the third embodiment.

FIG. 16*d* shows another example of a virtual image displayed on the curved reflective display screen being provided to the user as a retinal image using the configuration shown in FIG. 16*c*.

DESCRIPTION OF THE PREFERRED EMBODIMENTS

Before explaining the disclosed embodiments of the present invention in detail it is to be understood that the invention is not limited in its application to the details of the particular arrangements shown since the invention is capable of other embodiments. Also, the terminology used herein is for the purpose of description and not of limitation.

The following is a list of the designators used in the drawings and the detailed specification to identify components, wherein like components assigned like designators:

- 1011 display screens
- 102 image lenses
- 103 eyes
- 201 planar display screens
- 202 planar black masks
- 203 planar tunable focus LC lens arrays
- 204 planar bias lens
- 205 eyes
- 206 liquid crystal micro-lens
- 301 planar emissive LC display screen
- 302 planar black mask
- 303 planar tunable focus LC lens array
- 304 bias lens
- 306 liquid crystal micro-lens
- 308 liquid crystal micro-lens
- 311 virtual object of display pixel 1
- 312 virtual object of display pixel 2
- 313 retinal image of the display pixel 1
- 314 retinal image of the display pixel 2
- 315 eye
- 401 planar transmissive LC display screen

501 planar reflective LC display screen
601 image projector
602 planar reflective display screen
701 planar display screens
702 planar tunable focus LC lens arrays
703 planar black masks
704 bias micro-lens arrays
706 liquid crystal micro-lens
708 bias lens
801 planar emissive LC display screen
802 planar tunable focus LC lens array
803 planar black mask
804 bias micro-lens array
806 liquid crystal micro-lens
808 bias micro-lens
811 virtual object of display pixel 1
812 virtual object of display pixel 2
813 retinal image of the display pixel 1
814 retinal image of the display pixel 2
815 eye
901 planar transmissive LC display screen
1001 planar reflective LC display screen
1101 image projector
1102 planar reflective LC display screen
1201 curved display screens
1202 curved black masks
1203 curved tunable focus LC lens arrays
1205 eye
1206 liquid crystal micro-lens
1301 curved emissive LC display screen
1302 curved black mask
1303 curved tunable focus LC lens array
1306 liquid crystal micro-lens
1311 virtual object of display pixel 1
1312 virtual object of display pixel 2
1313 retinal image of the display pixel 1
1314 retinal image of the display pixel 2
1315 eye
1401 curved transmissive LC display screen
1501 curved reflective LC display screen
1601 image projector
1602 curved reflective display screen

The method, system apparatus and device of the present invention provides a new device structure for producing eye accommodation information using a tunable focus liquid crystal micro-lens array within a head mounted display devices.

FIG. 2 shows an example of the configuration of the tunable focus liquid crystal micro-lens arrays for use in head mounted display devices of the presented invention. The head mounted display includes, for each of the left eye and the right eye, planar display screen **201**, black mask **202**, tunable focus liquid crystal micro-lens array **203** and a bias lens **204**. Planar display screens **201** display the stereoscopic images that are seen by the eyes **205** of the viewer. The planar display screens **201** can be emissive displays, such as OLEDs, transmissive displays, such as transmissive liquid crystal displays, reflective displays, such as reflective liquid crystal displays, or an alternative planar display.

The tunable focus liquid crystal micro-lens arrays **203** are disposed in front of each display screen **201** between the display screen **201** and the corresponding eye **205**. The individual liquid crystal lenses **206** of the tunable focus liquid crystal micro-lens arrays **203** are aligned with the display pixels of the display screen **201**. Black masks **202** are disposed adjacent to the tunable focus liquid crystal micro-lens arrays **203** and bias lens **204**. The black masks **202** have

apertures that are aligned with the individual liquid crystal lenses **206** so that only the light from the display screens passes through the liquid crystal lenses **206**. While the black masks **202** are shown between the display screen **201** and the liquid crystal micro-lens arrays **203**, the black mask **202** can be disposed on either side or on both sides of the liquid crystal micro-lens arrays **203**.

When control signals are applied, the liquid crystal micro-lenses of the tunable focus liquid crystal micro-lens arrays **203** alternates the convergence of the light emitting from the corresponding display pixels of the planar display screens **201**. Thus, the viewer's eye acclimates to variations in the diopter of the display pixels to enhance the experience of three dimensional visual effects. The bias lenses **204** are disposed between the tunable focus liquid crystal micro-lens arrays **203** and the corresponding eye **205**. The bias lenses **204** converges the light into the pupil of the adjacent eye **205** so that all portions of the displayed image visible even though the field of view is large and/or the viewer moves the eye **205**.

A more specific example of the first embodiment is shown in FIGS. **3a** and **3b**. FIG. **3a** is a schematic diagram showing an example of a configuration of the tunable focus liquid crystal and FIG. **3b** shows an example of an image displayed on the planar emissive display screen **301** being transmitted to the viewer's eye using the configuration shown in FIG. **3a**. For purpose of illustration and discussion, the device is described for one eye although there is a duplicate device for the other eye.

As shown in FIG. **3b**, the head mounted stereoscopic 3-dimensional display devices comprise planar emissive display screens **301**, planar black masks **302**, planar tunable focus liquid crystal micro-lens arrays **303** and bias lenses **304** as previously described in regard to FIG. **2**. The each planar emissive display screen **301** displays one of the stereoscopic images to be seen by the corresponding eye of the viewer.

The tunable focus liquid crystal micro-lens array **303** is disposed in front of the display screen between the planar emissive display screen **301** and the viewer's eye **315**. The individual liquid crystal micro-lenses **306** of the tunable focus liquid crystal micro-lens array **303** are aligned with the display pixels of the planar emissive liquid crystal display screen **301**. Black mask **302** is disposed adjacent the tunable focus liquid crystal micro-lens array **303** so that only light from the display screens **301** passes through the liquid crystal micro-lenses **306** as shown in FIG. **3b**. As previously described, the black mask **302** can be disposed on either side or on both sides of the liquid crystal micro-lens array **303**.

Upon application of control signals, the liquid crystal micro-lenses **306** of the tunable focus liquid crystal micro-lens array **303** alternates, from pixel 1 to pixel 2 and vice versa, for convergence of light emitting from the corresponding display pixels of the planar emissive liquid crystal display screen **301**. For example, a virtual object **311** of display pixel 1 passes through the liquid crystal micro-lens **306** of the tunable focus liquid crystal micro-lens array **303** to the bias lens **304** which converges the virtual image **311** onto the pupil of the eye to provide retinal image **313** of display pixel 1. Similarly, virtual object **312** of display pixel 2 passes through liquid crystal micro-lens **308** to bias lens **304** which converges the virtual image **312** on the eye **315** to provide the retinal image **314** of pixel 2. Thus, the eye **315** of the viewer acclimates itself to the variations in the diopter of the display pixels to enhance the experience of three dimensional visual effects. In this example, the bias lens **304** is configured as shown in FIG. **3a** to converge light into the pupils so that

approximately all portions of the displayed image are visible even though the field of view is large and/or the viewer moves the eye.

Another example is shown in FIGS. 4*a* and 4*b*. FIG. 4*a* shows the configuration of the optical components and FIG. 4*b* shows a virtual image 311, 312 from the transmissive display device 401 being transmitted to the user as retinal images 313, 314 using the optical configuration shown in FIG. 4*a*. In this example, the head mounted stereoscopic 3-dimensional display devices includes a planar transmissive liquid crystal display screens 401.

Operationally, one of the stereoscopic images is shown on the planar transmissive liquid crystal display panel 401. As described in the previous example, the tunable focus liquid crystal micro-lens array 303 is disposed between the display screen 401 and the eye 315. The individual liquid crystal lenses 306 and 308 in the tunable focus liquid crystal micro-lens array 303 are aligned with the display pixels of the planar transmissive liquid crystal display panel 401. Black mask 302 with apertures corresponding to the liquid crystal lenses 306 and 308 is disposed adjacent to the tunable focus liquid crystal micro-lens array 303 so that only the light from the display screen pixel 1 and pixel 2, alternately, pass through the liquid crystal micro-lenses 306 as shown in FIG. 4*b*. As in the previous example, the black mask 302 can be disposed on either side or on both sides of the liquid crystal micro-lens array 303.

Another example is shown in FIGS. 5*a* and 5*b*. In this example the head mounted stereoscopic 3-D display devices includes planar reflective liquid crystal display screens 501 in combination with the planar black mask 302, planar tunable focus liquid crystal micro-lens arrays 303 and bias lenses 304 as previously described. In this alternative example, the light reflected from the planar reflective liquid crystal display screen 501 is already collimated. One of the stereoscopic images is shown on the planar reflective liquid crystal display panel 501. The tunable focus liquid crystal micro-lens array 303 is disposed between the planar reflective display screen 501 and the eye 315. As previously described, the individual liquid crystal lenses 306 of the tunable focus liquid crystal micro-lens array 303 are aligned with the display pixels of the planar reflective liquid crystal display panel 501. Black mask 302 is disposed adjacent to, and aligned with, the tunable focus liquid crystal micro-lens array 303 so that only light from the display screen passes through the liquid crystal micro-lenses 303 as shown in FIG. 5*b*.

Another example is shown in FIGS. 6*a* and 6*b*. In this example the head mounted stereoscopic 3-D display devices includes image projector 601, planar reflective display screens 602 in combination with the planar black mask 302, planar tunable focus liquid crystal micro-lens arrays 303 and bias lenses 304 as previously described. One of the stereoscopic images is produced from the image projector 601 and reflected from the planar reflective display screen 602. In this alternative example, the light produced from the image projector is already collimated. The tunable focus liquid crystal micro-lens array 303 is disposed between the planar reflective display screen 602 and the eye 315. As previously described, the individual liquid crystal micro-lenses 306 of the tunable focus liquid crystal micro-lens array 303 are aligned with the display pixels of the planar reflective display panel 602. Black mask 302 is disposed adjacent to, and aligned with, the tunable focus liquid crystal micro-lens array 303 so that only light from the display screen passes through the liquid crystal micro-lenses 303 as shown in FIG. 6*b*.

An alternate disposition of the tunable focus liquid crystal micro-lens array 303 for this example is illustrated in FIGS.

6*c* and 6*d*. The tunable focus liquid crystal micro-lens array 303 is disposed between the image projector 601 and the planar reflective display screen 602. Black mask 302 is disposed adjacent to, and aligned with, the tunable focus liquid crystal micro-lens array 303 so that only light from the display screen passes through the liquid crystal micro-lenses 303 as shown in FIG. 6*b*.

FIG. 7 show an alternative example of a tunable focus liquid crystal micro-lens array configuration of the present invention. In this example, the head mounted stereoscopic 3-D display devices includes planar display screens 701, planar black masks 703, planar tunable focus liquid crystal micro-lens arrays 702 and bias micro-lens arrays 704. Referring back to FIG. 2, since the display screens of the head mounted displays are arranged at a distance very close to the eyes of the viewer, the power of the bias lenses 204 is large enough to cover the planar tunable focus liquid crystal lens array 203.

To further reduce the weight and the thickness of the head mounted display devices, the bias lenses in FIG. 2 are replaced by the bias micro-lens arrays 704 having individual bias lenses 708 that are aligned with the liquid crystal micro-lenses 706 of the planar tunable focus liquid crystal micro-lens arrays 702. In the example shown in FIG. 7, the planar black masks 703 is located between the bias micro-lens arrays 704 and the planar tunable focus liquid crystal micro-lens arrays 702 although the planar black mask 703 can alternatively be located on the opposite side or on both sides of the planar tunable focus liquid crystal micro-lens arrays 702.

The planar display screens 701 can be emissive displays, such as OLEDs, transmissive displays, such as transmissive liquid crystal displays, reflective displays, such as reflective liquid crystal displays, or other planar displays. The tunable focus liquid crystal micro-lens arrays 702 are disposed in front of each display screen between the display screen and the eyes 315. The liquid crystal micro-lenses 706 of the tunable focus liquid crystal micro-lens arrays 702 and bias lenses 708 of the bias micro-lens arrays 704 are aligned with one another and with the display pixels of the display screen 701.

FIGS. 8*a* and 8*b* show another example of the present invention using the configuration shown in FIG. 7. FIG. 8*a* is a schematic diagram showing another example of the configuration of the optical components and FIG. 8*b* shows an example of a virtual image 811 and 812 displayed on the planar emissive display screen as pixels 1 and 2 being transmitted to the viewer's eye 815 as a retinal image 813 and 814, respectively, using the configuration shown in FIG. 8*a*. In this example the planar display screens are planar emissive liquid crystal display screens 801.

As described in regard to FIG. 3, when the planar display screen is an emissive display screen 801, head mounted stereoscopic 3-D display devices includes planar emissive liquid crystal display screen 801, planar black masks 803, planar tunable focus liquid crystal micro-lens arrays 802 and bias micro-lens arrays 804. The bias micro-lenses 808 of the bias micro-lens array 804 are aligned with the liquid crystal micro-lenses 806 of the tunable focus liquid crystal micro-lens array 802. Operationally, the device reflects images from the planar emissive liquid crystal display 801 screen in the same manner as described in regard to FIG. 3*b*.

Another example of the present invention is shown in FIGS. 9*a* and 9*b*. Like the head mounted stereoscopic 3-D display device previously described in regard to FIG. 4*b*, the planar display screen is alternatively a planar transmissive display screen 901. The images are displayed on the planar

transmissive liquid crystal display panel **901** are transmitted to the viewer in the same manner described in regard to FIG. **4b**.

FIGS. **10a** and **10b** show yet another example of the present invention. In this embodiment, the planar display screen is a planar reflective liquid crystal display screen **1001** wherein the light reflected from the display screen **1001** is already collimated as described in regard to the example shown in FIG. **5b**. The difference between this example and the example shown in FIG. **5b** is plural bias micro-lenses **808** in the bias micro-lens array **804** which are aligned with the plural liquid crystal micro-lenses **806** in the tunable focus liquid crystal micro-lens array **802**.

FIGS. **11a** and **11b** show another example of the present invention. In this embodiment, the planar display screen is a planar reflective screen **1102** wherein the light produced from the image projector **1101** is reflected from the display screen **1102**. The tunable focus liquid crystal micro-lens array **802** is disposed between the planar reflective display screen **1102** and the eye **815**. The difference between this example and the example shown in FIG. **6(b)** is plural bias micro-lenses **808** in the bias micro-lens array **804** which are aligned with the plural liquid crystal lenses **806** in the tunable focus liquid crystal micro-lens array **802**.

FIG. **12** shows yet another example of the of the tunable focus liquid crystal micro-lens arrays components and their placement with respect to the viewer's eye **1205**. In this example, the head mounted stereoscopic 3-D display device includes curved display screens **1201**, curved black masks **1202** and curved tunable focus liquid crystal micro-lens arrays **1203**. Another difference between the configurations shown in FIGS. **2** and **8** and the configuration shown in FIG. **12**, the device does not include a bias lens or a bias micro-lens arrays. The curved display screens **1201** can be emissive displays, such as OLEDs, transmissive displays, such as transmissive liquid crystal displays, reflective displays, or other curved displays.

The tunable focus liquid crystal micro-lens arrays **1203** are disposed between the display screens **1201** and the viewer's eye **1205**. The plural liquid crystal micro-lenses **1206** of the tunable focus liquid crystal micro-lens arrays **1203** are aligned with the display pixels of the display screen **1201** so that the convergent light passes through the liquid crystal micro-lenses **1206** as described in the previous examples. Curved black masks **1202** are disposed adjacent to the curved tunable focus liquid crystal micro-lens arrays **1203** so that the light from the display screens only passes through the liquid crystal micro-lenses **1203**. As with the previous examples, the curved black masks **1202** can be disposed on either side or both sides of the curved tunable focus liquid crystal micro-lens arrays **1203**.

A more specific example is shown in FIGS. **13a** and **13b**. FIG. **13a** shows the optical components and their placement with respect to one another and FIG. **13b** shows the focusing of the virtual images **1311** and **1312** corresponding to a first and second display pixel to the viewer's eye **1315** to produce retinal images **1313** and **1314**, respectively. The optical components shown in FIG. **13a** are curved as described for the example shown in FIG. **12** with an alternative number of apertures in the curved black masks **1302** and the liquid crystal lenses **1306** of the curved tunable focus liquid crystal micro-lens arrays **1303**. As in the previous embodiments, the curved black masks **1302** can be disposed on either side or on both sides of the curved tunable focus liquid crystal micro-lens arrays **1303**.

As previously described, when control signals are applied, the liquid crystal lenses **1306** of the tunable focus liquid

crystal micro-lens array **1303** alternate the convergence of the light emitting from the corresponding display pixels of the curved emissive display screen **1301** as shown in FIG. **13b** so that the corresponding eye acclimates itself to the variations in the diopter of display pixels to enhance the experience of three dimensional visual effects as described in regard to FIGS. **3b** and **8b**.

In the example shown in FIGS. **14a** and **14b**, the head mounted stereoscopic 3-D display devices includes the curved planar transmissive display screen **1401**, curved black mask **1202** and curved tunable focus liquid crystal lens array **1203** as shown in FIGS. **12a** and **12b**. However, in this example, like the examples shown in FIGS. **4b** and **9b**, the planar transmissive display screen is a curved transmissive display screen **1401**. The stereoscopic images are shown on the curved transmissive liquid crystal display panel **1401**.

As previously described, when control signals are applied, the liquid crystal micro-lenses of the tunable focus liquid crystal micro-lens array **1203** alternate the convergence of the light emitting from the corresponding display pixels of the planar transmissive liquid crystal display panel **1401** as shown in FIG. **14b** to change the diopter of display pixels so that the eye accommodation information is provided.

FIGS. **15a** and **15b** show yet another example of the present invention. In this embodiment, the display screen is a curved reflective liquid crystal display screen **1501** wherein the light reflected from the curved reflective liquid crystal display screen **1501** is already collimated as described in regard to the example shown in FIGS. **5b** and **10b**.

FIGS. **16a** and **16b** show yet another example of the present invention. In this embodiment, the light produced from the image projector **1601** is reflected by the curved reflective display screen **1602**. The curved tunable focus liquid crystal micro-lens array **1303** is disposed between the curved reflective display screen **1602** and the eye **1315** as described in regard to the example shown in FIGS. **6b** and **11b**. FIGS. **16c** and **16d** show an alternate arrangement of the curved tunable focus liquid crystal micro-lens array **1303** and the curved black mask **1302**. The curved tunable focus liquid crystal micro-lens array **1303** is disposed between the image projector **1601** and the curved reflective display screen **1602** in the same configurations as described in regard to the example shown in FIG. **6d**. As previously described, the difference between the configuration shown in FIG. **6d** and FIG. **16d**, is the bias micro-lens array shown in FIG. **6d**. While there is a difference in the configuration, the operation of the head mounted display shown in FIG. **16d** is the same as described in regard to FIG. **6d**.

While the invention has been described, disclosed, illustrated and shown in various terms of certain embodiments or modifications which it has presumed in practice, the scope of the invention is not intended to be, nor should it be deemed to be, limited thereby and such other modifications or embodiments as may be suggested by the teachings herein are particularly reserved especially as they fall within the breadth and scope of the claims here appended.

We claim:

1. A light weight head mounted visual stereoscopic display device with a large field of view having an image producing system for producing a 3-dimensional visual image seen by a viewer, the image producing system consisting essentially of:
 - for each of a right eye and a left eye of the viewer to provide a spatially distinct image independently to each of the right eye and the left eye,
 - one single planar display screen for displaying plural pixels of an image;

11

one single planar tunable focus liquid crystal micro-lens array having plural liquid crystal micro-lenses each aligned with one of the plural pixels of the one single planar display screen, wherein the plural liquid crystal micro-lenses alternates a diopter of the plural pixels; 5

one single planar black mask having plural apertures aligned with the plural liquid crystal micro-lenses located between the planar tunable focus liquid crystal micro-lens array and the planar display screen to prevent light from passing through the intervals between the plural liquid crystal micro-lenses of the tunable focus liquid crystal micro-lens array corresponding independently to one of the right and the left eye; and 10

a bias lens located between the tunable focus liquid crystal micro-lens array and the eye of the viewer to converge light from each of the plural pixels into a pupil of the eye so that all portions of the displayed image are visible even though the field of view is large and the viewer moves the eye. 15

2. A head mounted visual stereoscopic display device having an image producing system consisting essentially of:

one single planar reflective display screen for each of a left eye and a right eye for displaying plural pixels of an image; 25

one single planar tunable focus liquid crystal micro-lens array having plural liquid crystal micro-lenses each aligned with one of the plural pixels of the planar reflective display screen for each of the left eye and the right eye, wherein the plural liquid crystal micro-lenses alternates a diopter of the plural pixels; 30

one single planar black mask having plural apertures aligned with the plural liquid crystal micro-lenses independently for each of the left eye and the right eye and located between the planar tunable focus liquid crystal micro-lens array and the planar reflective display screen to prevent light from passing through the intervals between the plural liquid crystal micro-lenses of the tunable focus liquid crystal micro-lens array; 35

one single bias lens aligned with the one single black mask, the one single planar tunable liquid crystal micro-lens array and the one single planar reflective display screen located adjacent to the an eye of the viewer to converge light from each of the plural pixels into a pupil of the eye so that all portions of the displayed image are visible even though the field of view is large and the viewer moves the eye; and 40

an image projector for each of the left eye and the right eye for producing and projecting a different image on the planar reflective display screen for each of the left eye and the right eye, the image projector positioned between the planar reflective display screen and the tunable focus liquid crystal micro-lens array. 45

3. An image producing system for a head mounted visual display device image producing system consisting essentially of: 55

one single planar display screen for displaying plural pixels of an image for each of a right eye and a left eye; 60

one single planar tunable focus liquid crystal micro-lens array for each of the right eye and the left eye adjacent to

12

the one single planar display screen and having plural liquid crystal micro-lenses each aligned with one of the plural pixels of the one single planar display screen, wherein the plural liquid crystal micro-lenses alternates a diopter of the plural pixels;

one single planar black mask having plural apertures for each of the right eye and the left eye located adjacent to an opposite side of the one single planar tunable focus liquid crystal micro-lens array and aligned with the plural liquid crystal micro-lenses to prevent light front passing through tile intervals between the plural liquid crystal micro-lenses of the tunable focus liquid crystal micro-lens array; and

one single bias micro-lens array having plural bias micro-lenses for each of the right eye and the left eye located between the one single planar black mask and a corresponding one of the right and the left eye of the viewer for converging the light from the display pixel passing through the tunable focus liquid crystal micro-lens array, producing a retinal image corresponding to the display pixel, the one single bias micro-lens array aligned with the one single black mask, the one single planar turnable liquid crystal micro-lens array and the one single planar reflective display screen.

4. A right and a left optical system for a head mounted visual display device to display a different image to each of a right eye and a left eye of a wearer, each one of the right and the left optical system consisting essentially of:

one single planar reflective display screen for displaying plural pixels of an image;

one single planar tunable focus liquid crystal micro-lens array adjacent to the one single planar reflective display screen and having plural liquid crystal micro-lenses each aligned with one of the plural pixels of the one single planar reflective display screen, wherein the plural liquid crystal micro-lenses alternates a diopter of the plural pixels;

one single planar black mask having plural apertures located adjacent to the opposite side of the one single planar tunable focus liquid crystal micro-lens array and aligned with the plural liquid crystal micro-lenses to prevent light from passing through the intervals between the plural liquid crystal micro-lenses of the tunable focus liquid crystal micro-lens array;

one single bias micro-lens array having plural bias micro-lenses located between the one single planar black mask and the corresponding eye of the viewer for converging the light from the display pixel passing through the tunable focus liquid crystal micro-lens array, producing a retinal image corresponding to the display pixel; and

one single image projector for producing and projecting the image displayed on the one single planar reflective display screen, wherein one single planar tunable focus liquid crystal micro-lens array and adjacent one single planar black mask are located between the one single planar reflective display screen and the one single bias micro-lens array, each of the right and the left optical system displaying a different image to each of the right eye and the left eye for a three dimensional stereoscopic display.

* * * * *