

Radiocarbon Dating Committee of Tohoku University No.15

著者	Radiocarbon Dating Committee of Tohoku University
雑誌名	The science reports of the Tohoku University. 7th series, Geography
巻	43
号	1
ページ	49-58
発行年	1993-06
URL	http://hdl.handle.net/10097/45203

Radiocarbon Dating Reports of Tohoku University No. 15

Radiocarbon Dating Committee of Tohoku University*

This date list follows Radiocarbon Dating Reports of Tohoku University No. 14 (1992). Instruments and dating techniques are essentially the same as those used for the previous report by Omoto (1979). Dates are calculated based on the half-life of 5,570 years for ^{14}C , and the modern standard is based on the value of 95% of NBS oxalic acid. The errors are expressed as one standard deviation ($\pm 1\sigma$).

Sample descriptions are based on the submitter's information in the following form.

Code No.	Name of sampling site	Radiocarbon age of sample (years B.P.)
1.	Locality (with latitude and longitude) of sampling site	
2.	Altitude (in meter a.s.l.) of sampling site and depth of sampling horizon	
3.	Materials of sample	
4.	Date of sampling (submitter)	
5.	Date of dating (operator)	
6.	Chemical assays of pretreating	
7.	Comments and references	

The committee wishes to express the appreciation to submitters for their informations on their samples.

Sample Descriptions

Geomorphic and geologic samples

Sendai Coastal Plain Series

TH-534 Iwanuma **5,520 \pm 170**

1. Oshiwake, Iwanuma, Miyagi Pref. (38°06'25.1"N, 140°52'57.0"E)
2. G.L. 1.7 m a.s.l., 6 m below surface (-4.3 m a.s.l.)
3. Shell fragments (*Crassostrea gigas*)
4. May 1, 1979 (H. Matsumoto)

THE SCIENCE REPORTS OF THE TOHOKU UNIVERSITY, 7TH SERIES (GEOGRAPHY)
Vol. 43 No. 1, June 1993, 49-58.

* c/o Inst. Geogr., Fac. Sci., Tohoku Univ., Aobayama, Aoba-ku, Sendai, 980 JAPAN. The editorial members of this list are T. Tamura, K. Saijo, S. Hirano, and M. Anzai.

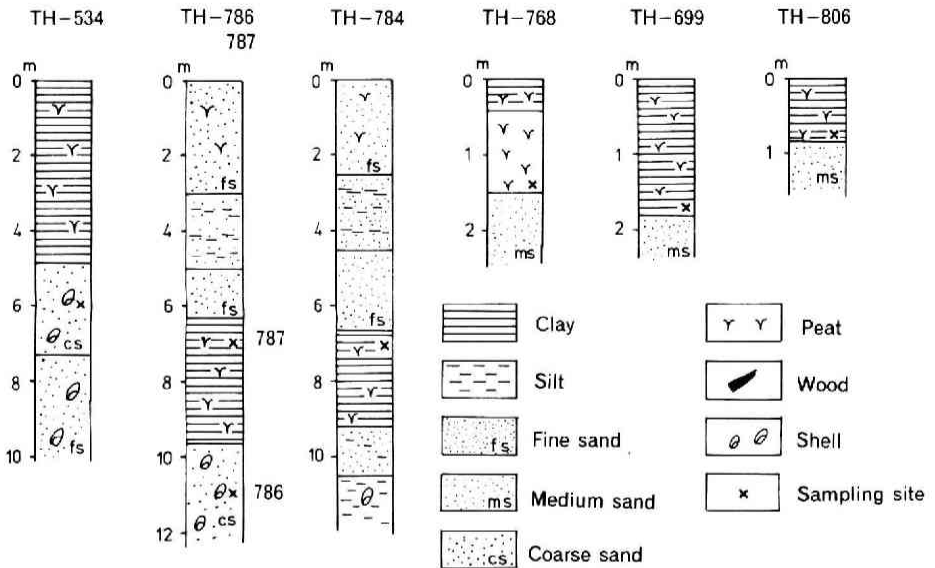


Fig. 1 Columnar sections (Sendai Coastal Plain Series) and legend.

5. Mar. 19, 1980 (H. Matsumoto)
6. Without chemical pretreatment
7. Matsumoto (1984, 1985)

TH-768 Iwanuma

$1,060 \pm 100$

1. Fujisone, Iwanuma, Miyagi Pref. (38°06'03.6"N, 140°55'17.2"E)
2. G.L. 0.5 m a.s.l., 1.3 m below surface (-0.8 m a.s.l.)
3. Peat
4. Oct. 10, 1981 (H. Matsumoto)
5. Feb. 2, 1982 (H. Matsumoto)
6. Total carbon, treated with 2N HCl (Miyazaki 1971)
7. Matsumoto (1984, 1985)

TH-786 Iwanuma

$5,630 \pm 170$

1. Minami-Naganuma, Iwanuma, Miyagi Pref. (38°05'04.2"N, 141°50'22.0"E)
2. G.L. 7.3 m a.s.l., 10 m below surface (-2.7 m a.s.l.)
3. Shell (*Crassostrea gigas*)
4. Dec. 1, 1980 (H. Matsumoto)
5. Mar. 9, 1982 (H. Matsumoto)
6. Without chemical pretreatment

7. Matsumoto (1984, 1985)

TH-787 Iwanuma**5,140 ± 140**

1. Minami-Nagamuma, Iwanuma, Miyagi Pref. (38°05'04.2"N, 141°50'22.0"E)
2. G.L. 7.3 m a.s.l., 7 m below surface (0.3 m a.s.l.)
3. Peat
4. Dec. 1, 1980 (H. Matsumoto)
5. Mar. 12, 1982 (H. Matsumoto)
6. Total carbon, treated with 2N HCl (Miyazaki 1971)
7. Matsumoto (1984, 1995)

TH-784 Shibata**6,800 ± 230**

1. Yokkaichiba, Shibata, Miyagi Pref. (38°04'56.7"N, 141°50'01.4"E)
2. G.L. 9.9 m a.s.l., 18.0 m below surface (-8.1 m a.s.l.)
3. Shell (*Crassostrea gigas*)
4. Nov. 30, 1980 (Token Consultant)
5. Mar. 11, 1982 (H. Matsumoto)
6. Without chemical pretreatment
7. Matsumoto (1984, 1985)

TH-699 Watari**2,820 ± 130**

1. Ipponmatu, Watari, Miyagi Pref. (38°01'10.9"N, 140°52'45.4"E)
2. G.L. 1.8 m a.s.l., 1.8 m below surface (0.0 m a.s.l.)
3. Peat
4. Apr. 9, 1981 (H. Matsumoto, H. Yamanaka and H. Yagi)
5. Sep. 17, 1981 (H. Matsumoto)
6. Total carbon, treated with 2N HCl (Miyagi 1971)
7. Matsumoto (1984, 1985)

TH-806 Sendai**730 ± 90**

1. Shinhama, Sendai, Miyagi Pref. (38°14'04.15"N, 140°59'24.8"E)
2. G.L. 0.5 m a.s.l., 0.7 m below surface (-0.2 m a.s.l.)
3. Peat
4. Nov. 21, 1981 (H. Matsumoto)
5. July 3, 1982 (H. Matsumoto)
6. Total carbon, treated with 2N HCl (Miyazaki 1971)
7. Matsumoto (1984, 1985)

Ishinomaki Coastal Plain Series**TH-558 Yamoto****1,440 ± 100**

1. Omagari, Yamoto, Miyagi Pref. (38°25'40.8"N, 141°15'08.3"E)
2. G.L. 1.5 m a.s.l., 3 m below surface (-1.5 m a.s.l)
3. Peat
4. Mar. 8, 1980 (H. Matsumoto and S. Hirano)
5. May 1, 1980 (H. Matsumoto)
6. Total carbon, treated with 2N HCl (Miyazaki 1971)
7. Matsumoto (1984, 1985)

TH-559 Yamoto**2,960 ± 120**

1. Akai, Yamoto, Miyagi Pref. (38°26'35.4"N, 141°15'27.8"E)
2. G.L. 0.7 m a.s.l., 1.4 m below surface (-0.7 m a.s.l.)
3. Wood
4. Mar. 8, 1980 (H. Matsumoto and S. Hirano)
5. May 5, 1980 (H. Matsumoto)
6. Treated with 2% NaOH and 2N HCl
7. Matsumoto (1984, 1985)

TH-560 Yamoto**640 ± 100**

1. Akai, Yamoto, Miyagi Pref. (38°26'35.4"N, 141°15'27.8"E)
2. G.L. 0.7 m a.s.l., 0.5 m below surface (0.2 m a.s.l.)
3. Peat
4. Mar. 8, 1980 (H. Matsumoto and S. Hirano)
5. May 6, 1980 (H. Matsumoto)
6. Total carbon, treated with 2N HCl (Miyagi 1971)

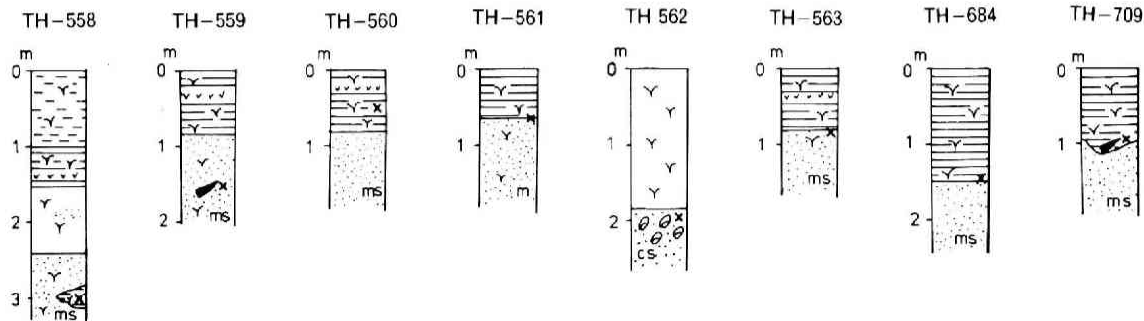


Fig. 2 Columnar sections. (Ishinomaki Coastal Plain Series)

- TH-561 Yamoto** **2,140 ± 120**
1. Yamoto, Yamoto, Miyagi Pref. (38°25'16.3"N, 141°12'11.6"E)
 2. G.L. 1.5 m a.s.l., 0.7 m below surface (0.8 m a.s.l.)
 3. Peat
 4. Mar. 8, 1980 (H. Matsumoto and S. Hirano)
 5. May 7, 1980 (H. Matsumoto)
 6. Total carbon, treated with 2N HCl (Miyazaki 1971)
 7. Matsumoto (1984, 1985)
- TH-562 Yamoto** **3,350 ± 130**
1. Shioiri, Yamoto, Miyagi Pref. (38°26'55.8"N, 141°11'54.0"E)
 2. G.L. 1.1 m a.s.l., 1.8 m below surface (-0.7 m a.s.l.)
 3. Shell (*Crassostrea gigas*)
 4. Mar. 9, 1980 (H. Matsumoto and S. Hirano)
 5. May 8, 1980 (H. Matsumoto)
 6. Without chemical pretreatment
 7. Matsumoto (1984, 1985)
- TH-563 Yamoto** **1,950 ± 120**
1. Yamoto, Yamoto, Miyagi Pref. (38°27'20.2"N, 141°13'33.7"E)
 2. G.L. 0.6 m a.s.l., 1.0 m below surface (-0.4 m a.s.l.)
 3. Peat
 4. Mar. 8, 1980 (H. Matsumoto and S. Hirano)
 5. May 12, 1980 (H. Matsumoto)
 6. Total carbon, treated with 2N HCl (Miyazaki 1971)
 7. Matsumoto (1984, 1985)
- TH-684 Yamoto** **2,190 ± 130**
1. Akai, Yamoto, Miyagi Pref. (38°25'55.4"N, 141°15'41.5"E)
 2. G.L. 0.5 m a.s.l., 1.5 m below surface (-1.0 m a.s.l.)
 3. Peat
 4. Dec. 10, 1980 (H. Matsumoto)
 5. Sep. 23, 1981 (H. Matsumoto)
 6. Total carbon, treated with 2N HCl (Miyazaki 1971)
 7. Matsumoto (1984, 1985)
- TH-769 Yamoto** **1,520 ± 100**
1. Yamoto, Yamoto, Miyagi Pref. (38°24'33.0"N, 141°12'27.6"E)
 2. G.L. 1.5 m a.s.l., 1.0 m below surface (0.5 m a.s.l.)

3. Wood
4. Dec. 9, 1980 (H. Matsumoto)
5. Feb. 1, 1982 (H. Matsumoto)
6. Treated with 2% NaOH and 2N HCl (Miyazaki 1971)
7. Matsumoto (1984, 1985)

South of Hachiro-gata Coastal Plain Series

TH-637 Showa

3,650 ± 140

1. Ogomori, Showa, Akita Pref. (39°51'18.9"N, 140°03'00.6"E)
2. G.L. 3.5 m a.s.l., 3.5 m below surface (0.0 m a.s.l.)
3. Peat
4. Apr. 17, 1980 (H. Matsumoto)
5. July 1, 1980 (H. Matsumoto)
6. Total carbon, treated with 2N HCl (Miyazaki 1971)

TH-673 Showa

3,370 ± 120

1. Ogomori, Showa, Akita Pref. (39°51'17.2"N, 140°03'14.8"E)
2. G.L. 4.0 m a.s.l., 4.0 m below surface (0.0 m a.s.l.)
3. Peat
4. Oct. 16, 1980 (H. Matsumoto and T. Asakawa)
5. Dec. 17, 1980 (H. Matsumoto)
6. Total carbon, treated with 2N HCl (Miyazaki 1971)

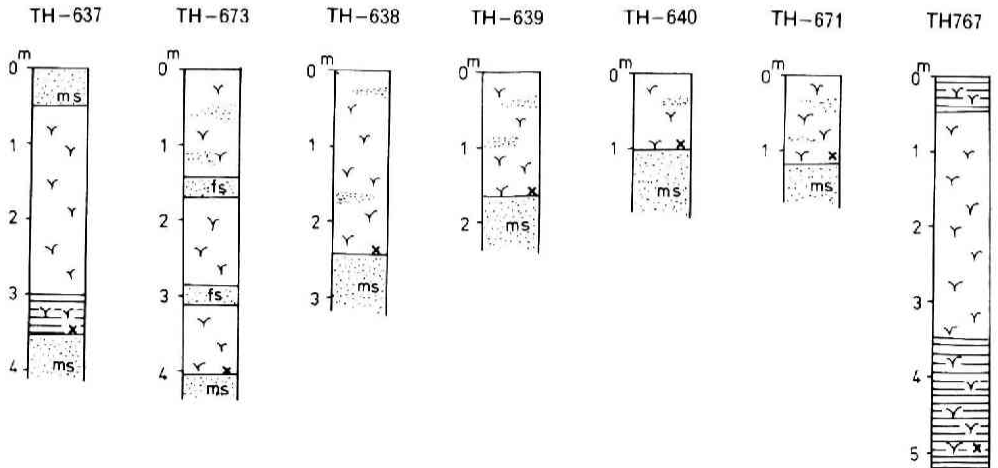


Fig. 3 Columnar sections. (South of Hachiro-gata Coastal Plain Series)

- TH-638 Ten'no** **3,550 ± 130**
1. Osaki, Ten'no, Akita Pref. (39°53'00.5"N, 140°00'38.6"E)
 2. G.L. 3.5 m a.s.l., 2.5 m below surface (1.0 m a.s.l.)
 3. Peat
 4. Apr. 17, 1980 (H. Matsumoto)
 5. July 2, 1980 (H. Matsumoto)
 6. Total carbon, treated with 2N HCl (Miyazaki 1971)
 7. Matsumoto (1984, 1985)
- TH-639 Ten'no** **2,320 ± 120**
1. Futada, Ten'no, Akita Pref. (39°52'44.2"N, 140°00'21.1"E)
 2. G.L. 3.5 m a.s.l., 1.5 m below surface (2.0 m a.s.l.)
 3. Peat
 4. Apr. 17, 1980 (H. Matsumoto *et al.*)
 5. July 3, 1980 (H. Matsumoto)
 6. Total carbon, treated with 2N HCl (Miyazaki 1971)
 7. Matsumoto (1984, 1985)
- TH-640 Ten'no** **570 ± 100**
1. Kabanuma, Ten'no, Akita Pref. (39°51'30.2"N, 140°00'23.2"E)
 2. G.L. 3.0 m a.s.l., 1.0 m below surface (2.0 m a.s.l.)
 3. Peat
 4. Apr. 17, 1980 (H. Matsumoto *et al.*)
 5. July 4, 1980 (H. Matsumoto)
 6. Total carbon, treated with 2N HCl (Miyazaki 1971)
 7. Matsumoto (1984, 1985)
- TH-671 Ten'no** **780 ± 100**
1. Futada, Ten'no, Akita Pref. (39°52'08.0"N, 139°59'14.1"E)
 2. G.L. 3.0 m a.s.l., 1.0 m below surface (2.0 m a.s.l.)
 3. Peat
 4. Oct. 16, 1980 (H. Matsumoto and T. Asakawa)
 5. Dec. 13, 1980 (H. Matsumoto)
 6. Total carbon, treated with 2N HCl (Miyazaki 1971)
 7. Matsumoto (1984, 1985)
- TH-767 Akita** **4,470 ± 130**
1. Oiwake, Akita, Akita Pref. (39°48'24.1"N, 140°04'06.6"E)
 2. G.L. 10 m a.s.l., 4.5 m below surface (5.5 m a.s.l.)

3. Peat
4. Nov. 11, 1981 (H. Matsumoto and T. Ariga)
5. Feb. 3, 1982 (H. Matsumoto)
6. Total carbon, treated with 2N HCl (Miyazaki 1971)
7. Matsumoto (1984, 1985)

Aomori Coastal Plain Series

TH-641 Aomori

5,100 ± 160

1. Sawada, Aomori, Aomori Pref. (40°51'02.4"N, 140°41'15.0"E)
2. G.L. 4.0 m a.s.l., 2.3 m below surface (1.7 m a.s.l.)
3. Peat
4. June 12, 1980 (H. Matsumoto and T. Asakawa)
5. Oct. 7, 1980 (H. Matsumoto)
6. Total carbon, treated with 2N HCl (Miyazaki 1971)
7. Matsumoto (1984, 1985)

TH-642 Aomori

2,570 ± 120

1. Nitta, Aomori, Aomori Pref. (40°50'11.4"N, 140°43'12.8"E)
2. G.L. 2.0 m a.s.l., 1.0 m below surface (1.0 m a.s.l.)
3. Peat
4. June 12, 1980 (H. Matsumoto and T. Asakawa)
5. Oct. 6, 1980 (H. Matsumoto)
6. Total carbon, treated with 2N HCl (Miyazaki 1971)
7. Matsumoto (1984, 1985)

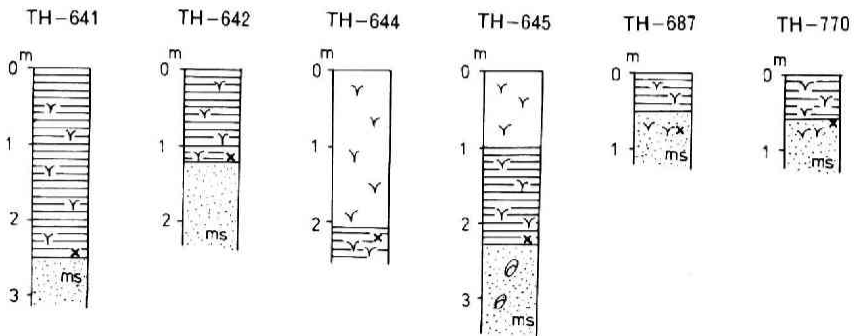


Fig. 4. Columnar sections. (Aomori and Tanabu Coastal Plain Series)

Tanabu Coastal Plain Series

- TH-644 Mutsu** **3,050 ± 120**
1. Omagari, Mutu, Aomori Pref. (41°15'16.2"N, 141°14'01.7"E)
 2. G.L. 3.0 m a.s.l., 2.0 m below surface (1.0 m a.s.l.)
 3. Peat
 4. June 10, 1980 (H. Matsumoto and T. Asakawa)
 5. Oct. 8, 1980 (H. Matsumotto)
 6. Total carbon, treated with 2N HCl (Miyazaki 1971)
 7. Matsumoto (1984, 1985)
- TH-645 Mutsu** **4,470 ± 140**
1. Omagari, Mutu, Aomori Pref. (41°16'15.0"N, 141°13'59.6"E)
 2. G.L. 3.0 m a.s.l., 2.2 m below surface (0.8 m a.s.l.)
 3. Peat
 4. June 10, 1980 (H. Matsumoto and T. Asakawa)
 5. Oct. 7, 1980 (H. Matsumoto)
 6. Total carbon, treated with 2N HCl (Miyazaki 1971)
 7. Matsumoto (1984, 1985)
- TH-687 Mutsu** **2,180 ± 130**
1. Minami-machi, Mutu, Aomori Pref. (41°16'11.4"N, 141°12'45.1"E)
 2. G.L. 4.0 m a.s.l., 1.0 m below surface (3.0 m a.s.l.)
 3. Wood.
 4. June 10, 1980 (H. Matsumoto and T. Asakawa)
 5. Aug. 29, 1981 (H. Matsumoto)
 6. Treated with 2% NaOH and 2N HCl
 7. Matsumoto (1984, 1985)
- TH-770 Mutsu** **580 ± 120**
1. Minami-machi, Mutu, Aomori Pref. (41°17'53.2"N, 141°12'33.2"E)
 2. G.L. 2.5 m a.s.l., 0.5 m below surface (2.0 m a.s.l.)
 3. Peat
 4. June 11, 1980 (H. Matsumoto and T. Asakawa)
 5. Jan. 28, 1982 (H. Matsumoto)
 6. Treated with 2% NaOH and 2N HCl
 7. Matsumoto (1984, 1985)

References (* in Japanese, ** in Japanese with English abstract)

- Matsumoto, H.** (1984): Beach ridge ranges on Holocene coastal plains in northeast Japan.**
Geographical Review of Japan **57** 720-738
- (1985): Beach ridge ranges and the Holocene sea-level fluctuations on Alluvial coastal plains, northeast Japan. *Sci. Repts. Tohoku Univ. 7th Ser (Geogr.)* **35** 15-46
- Miyazaki, A.** (1971): Data of radiocarbon measurements in soil samples and discussion on methods of treatments.* *The Quart. Repts. (Daiyonki-kenkyu)*, **10** 159-164.
- Omoto, K.** (1979): Tohoku University radiocarbon measurements VII. *Sci. Repts. Tohoku Univ. 7th Ser (Geogr.)*, **29** 235-261