

Measurement of Low Frequency Signal of Power Grid Using Arduino

Mohd Firdaus bin Mohd Ab Halim, Mohamad

Haniff Harun, Khalil Azha Mohd Annuar,

Suziana Ahmad and Mohd Hanif Bin Che Hasan

Research Group Creative, Innovative and Technology, Faculty of Engineering
Technology, Universiti Teknikal Malaysia Melaka (UTeM), 76100 Durian Tunggal, Melaka,
Malaysia

E-Mail: mohd.firdaus@utem.edu.my

Abstract –The range of the frequency to be measured by a measurement device depends on the purpose of performing the measurement. The frequency measurement device is built specifically according to its range while the price of the device is proportional to its functions. In this paper, a low frequency measurement device to monitor grid frequency is designed using Arduino technology. All aspects of the design from the software to hardware is explained. This device costs less than 100 US Dollar and it is capable to perform data logging for data analysis. The frequency range for the device is between 45 Hz to 60 Hz with 0.003 Hz resolution. This paper also discuss the standard commercial measurement device in power system and Arduino capabilities. The measurement data from the device is analyze for its accuracy and reliability.

Keywords: *Arduino, grid frequency monitoring, zero-crossing algorithm*

I. INTRODUCTION

Frequency of a signal is measured in Hertz that is for a continuous sinusoidal signal $\sin(x)$, the frequency can be determine by knowing the period of the signal. In most cases the engineer does not know the exact function of the signal but the signal can be categorized according to its behavior pattern either sinusoidal, square or triangle wave. Most of the countries in European Continent use 50 Hz as the standard mains frequency. From power plant to the domestic user, the electricity is transmitted in sinusoidal pattern of 50 Hz. In this paper, the AC source of power outlet is set to be the test signal for the measurement device. According to European Network of Transmission System Operators for Electricity (ENTSO-E), the monitoring device of the mains frequency resolution should be as small as 0.01 Hz in order to see if any frequency deviation occurs [1]. Therefore, the test signal nominated here would be perfect to evaluate the measurement device functionality and performance.

In the past, measurement devices act as a troubleshooting tools for electrical engineers. The complexity of electrical system promotes the idea of

parameters monitoring and data logging. Understanding the behavior of any system through its main parameters ensures the stability and reliability of the system. An obvious example of a complex system which requires continuous monitoring is the electrical transmission grid.

II. COMPUTING FREQUENCY VIA ARDUINO

A. Technology and Arduino

Technology moves very fast as human strive to build the world a better place to live. The most important technology in the past decade is computer. Its creation opens up the opportunity for programmers to create many extraordinary software and application which human have a dull life without it such as computer games, communication software and etcetera. In order to increase the capability of the technology, the development software and operating system are available without licensing nor authorization. Arduino is one of the tools which is designed purposely to give more freedom to the user onto how they wanted the tools to behave. The only capital the user have to spend is on the microcontroller hardware [2].

The information of how to use the platform and the example of the program can be obtained easily in the main Arduino website. Arduino offers wide range of boards, kits, shields and accessories that can be used based on the user's goal. Most Arduino product consist of basic microcontroller capabilities such as Analog to Digital Converter (ADC), PWM input, SRAM, standard clock speed of 16 MHz from Atmel chip and sufficient AC and DC Input/Output pins. Arduino Uno is one of Arduino boards that can be used to perform advance computation on the input signal with acceptable processing time and performance. It can perform a basic real time data monitoring. It also one of the cheapest board in Arduino family.

B. Arduino Frequency Computation

In earlier section, the author explained the basic rules of frequency calculation. As long as the period of the signal can be determined, then the frequency can be calculated. Arduino ADC reads analog input and convert the values into 10 bits digital input at $f = 125$ kHz conversion rate. For this preset sampling rate of 125

kHz, the analog data is converted every 112 μ s which is 3 times slower than the ADC rate. The speed of the conversion is factored down because the ADC computation uses 2/3 of the ADC cycle time. Figure 1 shows the hardware setup to read ADC values with function generator as the input.

Zero-crossing method counts the number of ADC conversion from the first zero-crossing encounter to the successive zero-crossing encounter. Since the ADC rate is known, the period and the frequency of the signal can be calculated easily. Considering the test signal we set to use, the frequency of the signal is calculated using zero-crossing technique yield the result as in Table 1.

TABLE 1 Measurement Result Based On Zero-Crossing Method

Number of Result	Number of Cycle	Measurement Result (Hz)
1	171	50.413
2	172	50.120
3	173	49.830

The resolution of the result is unacceptable for this case. The rate of ADC conversion at pre-set value of 125 kHz alone could not yield at least 0.01 Hz of resolution. Increasing the ADC conversion rate to 250 kHz doubles the resolution of the frequency to 0.14 Hz, which is still far from the targeted accuracy. According to the literature notes of the microcontroller, “the ADC accuracy also depends on the ADC clock. The recommended maximum ADC clock frequency is limited by the internal DAC in the conversion circuitry. For optimum performance, the ADC clock should not exceed 200 kHz” [3]. Hence it is not recommended to consider altering the ADC rate to achieve our goal.

Linear interpolation can be employed to increase the resolution of the measurement. The ADC values after zero-crossing is not always constant. It can be any number between 0 to 1024. This random error occurs when the sampling frequency is not fast enough to cover the whole range of measurement value. By keeping the ADC values at both zero-crossing encounter, the error can be calculated and eliminated from the frequency calculation. Linear interpolation of the two successive values for this test signal increases the resolution by the factor of Δ times where Δ is the largest differences found during the transition of the signal from zero to a

its first positive value. The possible measurement result is shown in Table 2 where δ is the value differences between two occurrences.

TABLE 2 Measurement Result after Interpolation

Number of Result	Number of Cycle	Expected Result (Hz)
1-11	171	$50.413 \pm \delta_{177} \times \frac{f}{\Delta_1}$
12-23	172	$50.120 \pm \delta_{178} \times \frac{f}{\Delta_2}$
24-36	173	$49.830 \pm \delta_{179} \times \frac{f}{\Delta_3}$

By assuming $\frac{\Delta V}{\Delta t}$ the change of the signal magnitude over time is equal at the region of zero-crossing, interpolation error, ϵ exist in the calculation shown in equation (1).

For the case of data in Table 2, the result yield $\epsilon = 0.002$ Hz which is acceptable. The frequency calculation program also assume that the ADC rate is performing consistently, which is 0.116 ms per conversion which is not always the case in live measurement. Based on ADC rate trial experiment, there are 0.5 % chance that the ADC rate perform 0.008 millisecond slower at one cycle before resume to the regular rate. This differences can also be neglected because it yield insignificantly low error.

$$\epsilon = \frac{\Delta V}{\Delta t} - \frac{\sum_0^t V(t)}{t} \quad (1)$$

III. MEASUREMENT SETUP

The maximum analog voltage for Arduino board is 5 VAC and it only recognized positive cycle of the signal. The test signal, obtained from the power outlet is 240 VAC/10 A. Hence, the signal amplitude is stepped down while the negative half cycle is elevated approximately from 0 to 5 V. A simple circuit is constructed via CircuitLab software [4] and its output is shown in Figure 2. The signal amplitude and DC gain in real experiment may differs from the simulation result but with a few tweaks at the circuit resistor network and its programming code should made the signal measurable.

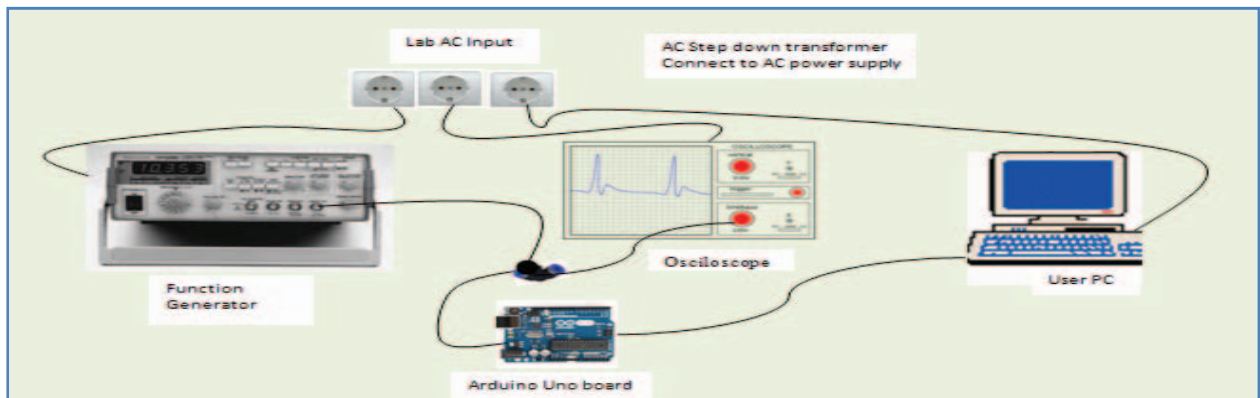


Fig. 1 hardware setup to read ADC values of function generator

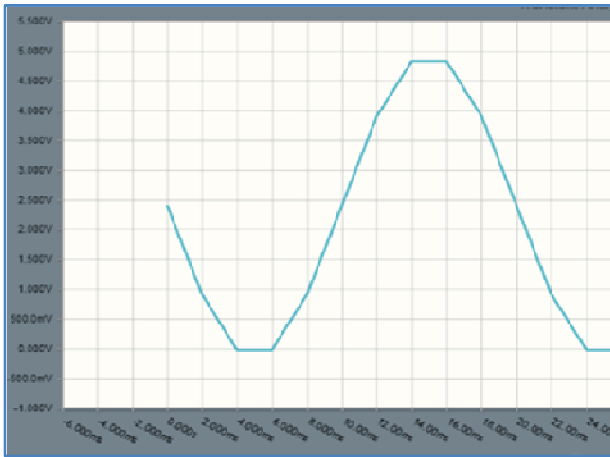


Fig. 2 Desired output voltage (X-axis: time in sec; Y-axis : signal amplitude in Volt)

IV. ALGORITHM OF THE FREQUENCY MEASUREMENT

The frequency measurement algorithm can be divided into 4 main parts; processing input, variable identification, frequency calculation and output finalization. The algorithm flow chart is shown in

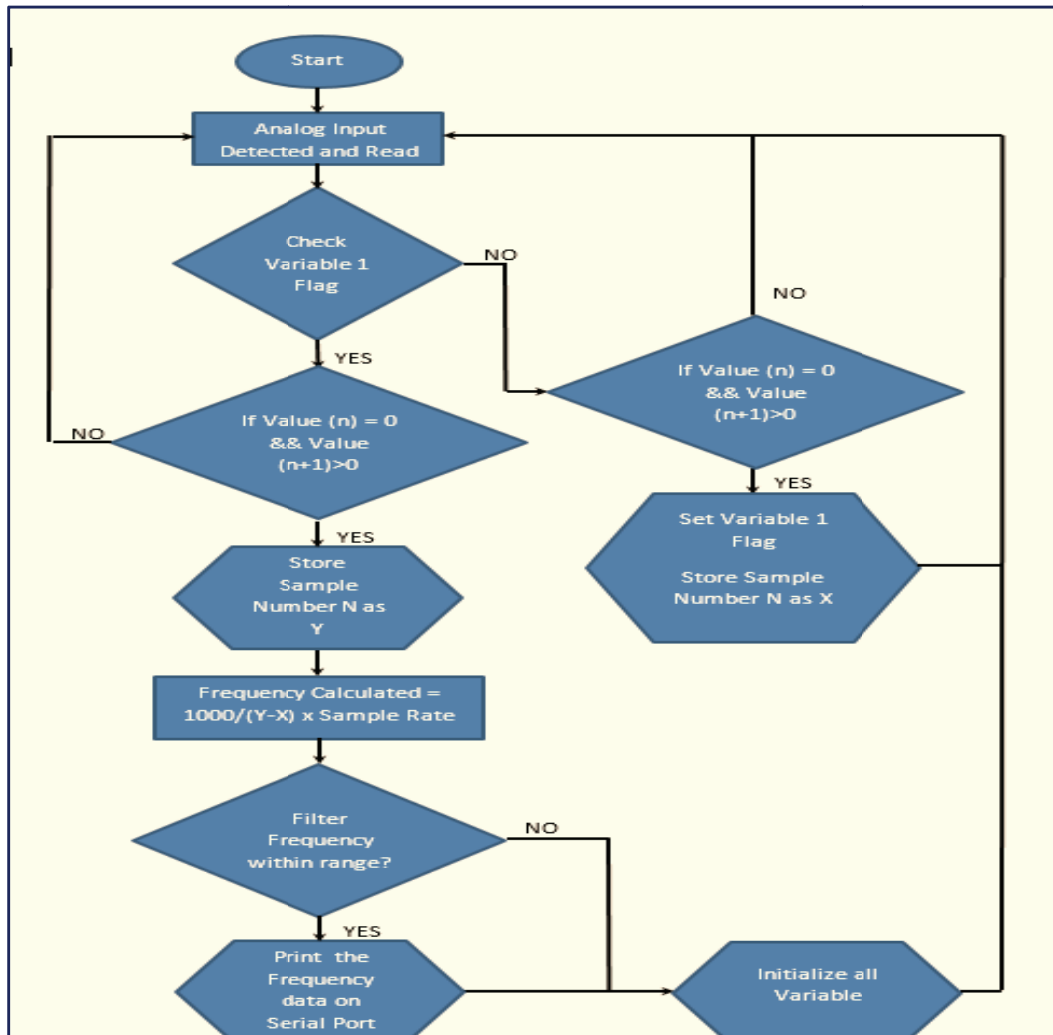


Fig. 3 Algorithm for frequency measurement

Figure 3. Note that the outlier is filtered each time a frequency values is calculated. This process would result in data being scrapped thus no data is send to the serial port during this event.

V. INTERFACE BETWEEN ARDUINO AND PC

A. Arduino communication at glance

Arduino board communicate with pc via serial port. The Arduino programming language is based on Processing platform, which is an open source Integrated Development Environment (IDE). Upon completing one cycle of frequency measurement, the data is transferred to the pc and can be monitored in real-time mode. In many cases, when Arduino is used for monitoring, the user needs the data to be kept inside the pc automatically and logged properly versus time so that analysis can be performed at latter stage. Arduino is capable to manipulate the data transferred to the serial port but unable to authorize a save command to the pc. Another program is required to fetch the data from the pc serial port and logged into the pc memory.

B. Gobetwino

Gobetwino can be identified as the "generic proxy" for Arduino. It's a program only run on Windows based that will act on behalf of Arduino to perform some of the things that Arduino cannot do on its own [5]. This program is open source software and available online. The data from the serial port can be stored in text file or excel file format and logged over specified period with time stamp by only adding a few lines at the Arduino code. There are many software that execute the same action as Gobetwino but mostly come with price and require additional programming code outside the Arduino IDE.

C. Processing

Processing is an open source programming language and development environment promoting software literacy among online community [6]. While Gobetwino only needs a minimal lines for it to logged the data into the computer, Processing requires the user to write a program which reads the incoming data and saved in the specified document. The advantage of using this software is that it runs independently, allow multitasking and capable of preemptive. The data can be accessed during both program in run mode without data loss. The capability of processing is not limited to data logging. It can also perform data analysis, generates graphical result in real time and create alarm or triggering criteria for specified events which the user believe important to attend to. If this additional function is to be required, then processing should be selected.

For this work, both Gobetwino and Processing were used.

VI. DATA MEASUREMENT VALIDATION

The signal source is obtained from the power outlet is the most appropriate test signal for Arduino frequency measurement device not only because it is within the frequency range standard, but also the frequency changes continuously every single cycle. The frequency changes due to imbalance between generation and demand at the network grid. To prove that the data is accurate and reliable, a reference measurement device is setup simultaneously. Any power quality meter which have the capability of measuring the signal frequency with high accuracy and tolerance is qualified to perform as the reference device. Figure 4 and 5 show the frequency data comparison between Arduino measurement device and the reference device taken on 26th July 2014 and 27th July respectively. Both graph indicates that the measurement device built using Arduino technology performed almost exactly as the reference data. The maximum, minimum and average error of this graph are shown in Table 3.

TABLE 3 Error (Point To Point Differences Between Two Measurement Devices)

Date	Maximum (%)	Minimum (%)	Average Error (%)
26-Jun-14	0.04416	0.03381	0.0013
27-Jun-14	0.055658	0.03241	0.00036

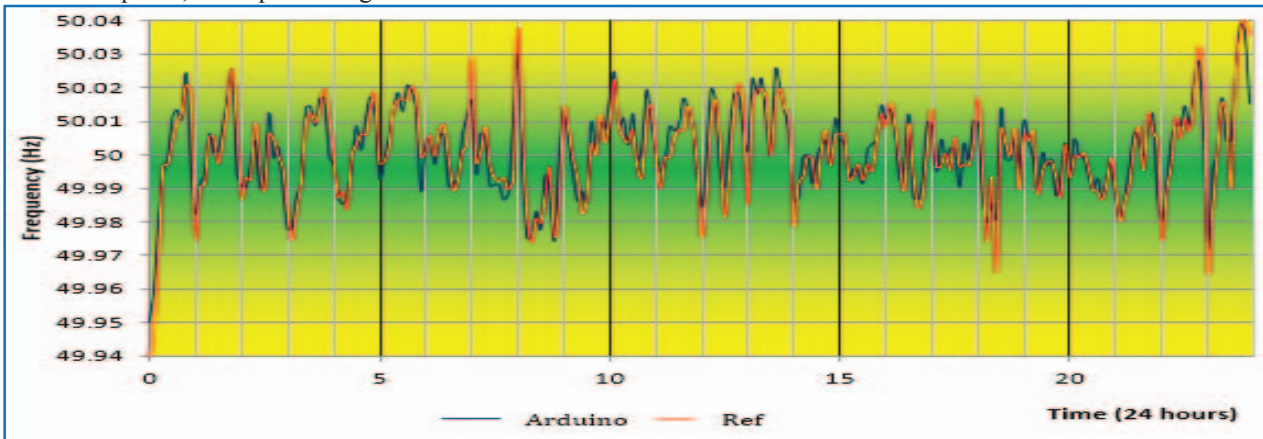


Fig. 4 Scatter Plot of Arduino data (blue) and Reference data (red) taken on 26th July 2014

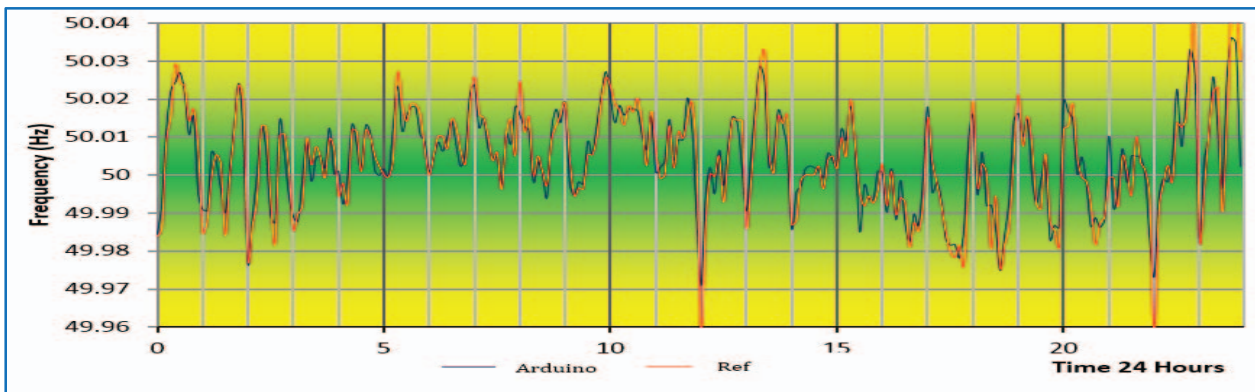


Fig. 5 Scatter Plot of Arduino data (blue) and Reference data (red) taken on 27th July 2014

VII. QUALITY & RELIABILITY OF THE DEVICE

A. Quality And Reliability Standard

Most industrial product provide warranty and bounded guarantee on its quality and reliability (QnR). The QnR standard depends on the nature of its application. Same goes to measurement and instrumentation product, where if the purpose is to protect the human lives and property, the standard will be high while if it is used to control the condition of the room such as air conditioning system, the standard is somewhat average. Grid frequency monitoring can be categorized as important because it impacts the basic human utility and business for energy provider. Between these two parties, energy provider has more stake on the plate thus having a robust and reliability monitoring system is compulsory.

B. Phasor Measurement Unit (PMU) Commercial System in Power Grid Monitoring

In European Continent, the quality and reliability of electrical energy supplied to the business and domestic consumers is well defined by the authorized body. Hence, the energy provider has to spend to install the monitoring system. Phasor Measurement Unit (PMU) is a commercialized frequency measurement device uses specifically by the main stakeholder such as power company, transmission operation company and authorized body that monitors the overall quality of the power system. Most PMU calculation derive the frequency from the phase angle. The accuracy of such techniques depends on amount of sample set for averaging. Basically PMU enables the user to see the overall picture of power grid narrowing down to small location. Since it is hardwired communication medium, the problem that occurs in communication via wireless is eliminated. The cost of such device is around 20K USD and rises depending on the area of monitoring and the number of measurement point.

C. Quality of data logging of Arduino

Arduino measurement device is not comparable to PMU since both products target different type of user. When PMU is purchased and installed, the user is guaranteed a certain period of support and services

unlike Arduino. The reliability of Arduino in performing monitoring depends on the program and the chip. Less computation increase the reliability but effects the functionality. An experiment was done to evaluate the performance of Arduino frequency measurement device data logging capability over a period of time. The result is shown in Figure 6. In chapter IV of this paper, the program algorithm scrapped some data when it contains outlier or noise.

This action creates missing data at the serial port for that instance. In terms of reliability it is not an issue because the data logging is not deteriorate but is the data movement small enough to be discarded for the user especially TSO's to make an important decision in balancing the energy demand and supply. The frequency regulation guideline handbook published by ENTSO-E stated that abnormal frequency deviation should be tackle within a specific time frame according to the degree of the problem. Based on the data monitored so far, the highest frequency point to point movement recorded was 0.005 Hz. In the situation where the frequency is hovering near the border of frequency healthy limit, the TSO's should already take necessary action to stabilize the frequency. Even PMU accept data loss when the averaging period takes longer time than the data transfer rate [7]. With only 1 data missing from a 100 data, the quality and reliability of Arduino is acceptable.

VIII. CONCLUSION

Grid frequency monitoring is essential to the energy provider and its relevant stakeholder. Nowadays PMU provides the means to perform the grid frequency monitoring task. Monitoring the quality and reliability of the grid is also important to the consumer especially to the heavy industrial player because it uses large portion of the electricity for its activity. The data from the monitoring activity also helps liven research activities in energy transmission area. PMU user does not share the data publicly due to business reason. In Europe for instance, the energy is traded in daily basis. By having the data of demand and supply, it gives an upper hand to this traders usually TSO's company and energy provider over its competitor. In Malaysia the energy is not traded and supply - demand balancing is managed solely by Tenaga Nasional.

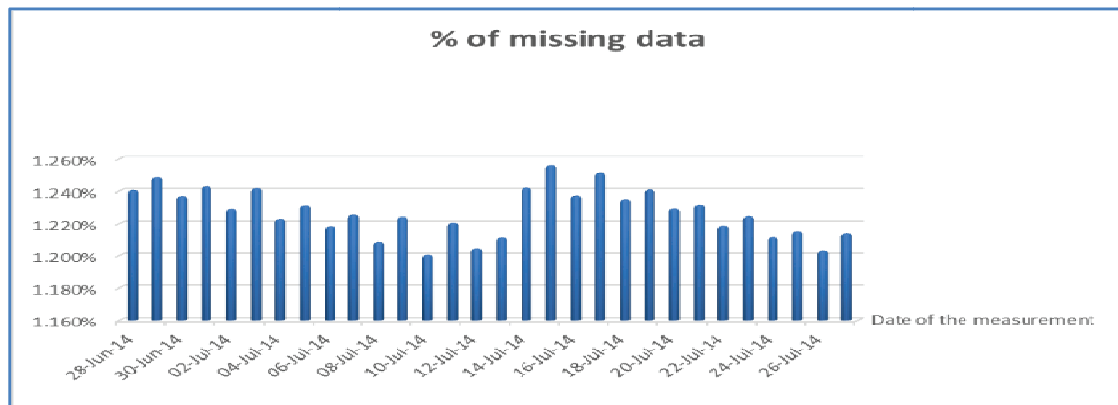


Fig6 Percentage of missing data by date from 28 June 2014 to 27 July 2014

Arduino measurement device can help researchers, small generation plant managers and commercial users to do monitoring while ensures the energy provider adhere to the quality and reliability of its service. With the development cost as low as 100 US Dollar, anyone can own the device and start to monitor the health of our grid. As renewable energy penetration increases such as Photovoltaic (PV) in domestic house, the monitoring activity is much simpler with Arduino measurement device. Keeping tabs on can ensure the PV is working in optimal condition and according to the fit in tariff regulation.

Arduino capabilities is not limited at only frequency measuring. The user can improve the measurement accuracy by adopting other frequency measurement technique such as phasor measurement or Fast Fourier transform which could leads to other parameters being extracted such as signal amplitude and phase angle. The proposed algorithm demonstrated part of Arduino capability and simple method to monitor grid frequency using well known zero-crossing method. The auxiliary circuit is easy to assemble while the program code learning booklet is available online. Arduino in general has triggered self-learning among engineering community just like [8] on how easy it is to design and develop controller and monitoring device with Arduino board and its IDE.

As for the conclusion, the author believes that the data measured by Arduino has negligible error considering that the purpose of the data is to study the behavior of the grid frequency and not for automation or control which require higher specification. Even for the European Network of Transmission System Operators for Electricity (ENTSO-E) standard, the accuracy of the frequency measurement for primary reserve control should be below 10 mHz. In terms of reliability, this device has been tested to run for 30 days non-stop and showing no sign of degradation in its data.

ACKNOWLEDGEMENT

The authors appreciate the support granted by Universiti Teknikal Malaysia Melaka (UTeM) in pursuing this research. Many thanks to Prof. Mike Zehner and Professor Martin Neumaier from the University of Applied Science Rosenheim for the guidance and supervision as well as for providing necessary resources especially the venue at D building at the University of Applied Science Rosenheim. Special thanks to Prof. Dr.-Ing. Simon Schramm from University of Applied Science Munich for providing the reference data to validate the Arduino accuracy.

REFERENCES

[1] ENTSO-E, "UCTE Operation Handbook on Load Frequency Control and Performance P1" European Network of Transmission System Operators for Electricity, 2010 [Online]. Available: <https://www.entsoe.eu/publications/system-operations-reports/operation-handbook/>

[2] M. Banzi, *Arduino*. Ivrea: Arduino, 2005.
[3] Atmel Cooperation "8 bit AVR microcontroller Application Notes" page 10 Rev. 2559D-AVR-02/06
[4] M. Robbins and H. Evans, *Circuit Lab*. Massachusetts: Circuit Lab Inc, 2012
[5] Mikmo.dk, 'MikMo', 2011. [Online]. Available: <http://mikmo.dk/blog/>. [Accessed: 18- Mar- 2015].
[6] C. Reas and B. Fry, *Processing*. Massachusetts: Massachusetts Institute of Technology, 2001
[7] K. Martin, 'Synchrophasor Measurements Under the IEEE Standard C37.118.1-2011 With Amendment C37.118.1a', *IEEE Trans. Power Delivery*, pp. 1-1, 2015.
[8] Jin Dong, Xiao Ma, Djouadi, S.M., Husheng Li, Kuruganti, T. 'Real-time prediction of power system frequency in FNET: A state space approach' 2013 IEEE International Conference on Smart Grid Communications , pp. 109-114, 2013