



W&M ScholarWorks

---

VIMS Articles

Virginia Institute of Marine Science

---

1984

## Community And Trophic Organization Of Nekton Utilizing Shallow Marsh Habitats, York River, Virginia

Stephen M. Smith

James G. Hoff

Steven P. O'Neil

*Virginia Institute of Marine Science*

Michael P. Weinstein

*Virginia Institute of Marine Science*

Follow this and additional works at: <https://scholarworks.wm.edu/vimsarticles>

 Part of the [Aquaculture and Fisheries Commons](#)

---

### Recommended Citation

Smith, Stephen M.; Hoff, James G.; O'Neil, Steven P.; and Weinstein, Michael P., "Community And Trophic Organization Of Nekton Utilizing Shallow Marsh Habitats, York River, Virginia" (1984). *VIMS Articles*. 626. <https://scholarworks.wm.edu/vimsarticles/626>

This Article is brought to you for free and open access by the Virginia Institute of Marine Science at W&M ScholarWorks. It has been accepted for inclusion in VIMS Articles by an authorized administrator of W&M ScholarWorks. For more information, please contact [scholarworks@wm.edu](mailto:scholarworks@wm.edu).

# COMMUNITY AND TROPHIC ORGANIZATION OF NEKTON UTILIZING SHALLOW MARSH HABITATS, YORK RIVER, VIRGINIA<sup>1</sup>

STEPHEN M. SMITH,<sup>2</sup> JAMES G. HOFF,<sup>2</sup> STEVEN P. O'NEIL,<sup>3</sup>  
AND MICHAEL P. WEINSTEIN<sup>3</sup>

## ABSTRACT

Nekton were collected by trawl and Wegener ring at each of two stations within tidal creeks and at adjacent shoal stations in the polyhaline and oligomesohaline zones of the York River estuary, Virginia. Species richness was significantly higher ( $P < 0.05$ ) in Goaders Creek (oligomesohaline) compared with Blevins Creek (polyhaline) and may reflect the general absence of stenohaline marine "southern" taxa which seasonally occupy the tidal creeks of warm-temperate estuaries. In general, diversity was low in both creeks with dominance mainly shared by two species, *Leiostomus xanthurus* and *Anchoa mitchelli*. *Trinectes maculatus* also was abundant at the Goaders Creek shoal station, about 200 m outside of the creek mouth. A detailed analysis of the distribution of *L. xanthurus* indicated that after recruitment ceased, this species was largely resident in the creeks for several months, only emerging in the fall (October). Furthermore, emigration from Blevins Creek occurred earlier than at the upstream locality. Of the "transient" marine species encountered, *L. xanthurus* seemed to be the most tidal creek dependent. However, this may be due partly to the collection methodology employed.

Diet composition of six dominant species comprising >98% of the total number of individuals collected indicated that all were essentially trophic opportunists feeding on a wide variety of food items. Ontogenetic shifts in diet were also observed for the five most abundant species. Lack of dietary specialization and the consequently large degree of diet overlap in all species may reflect the nonlimiting nature of food abundance in the primary nurseries, however a seasonal change in relative fullness values may indicate periodic food scarcity.

The structural and functional role of shallow estuarine habitats has received increasing attention in the past few years. Although widely recognized as primary nurseries, two of these habitats, marshes and seagrass meadows, have only recently come under scrutiny in the lower Chesapeake Bay. Much of the impetus for these efforts was derived from priorities established by the Chesapeake Bay Program (Environmental Protection Agency 1979). As a result, areas covered with submerged aquatic vegetation (SAV) were investigated between 1977 and 1981. The role of SAV as primary nurseries, especially for blue crabs, *Callinectes sapidus*, was confirmed (Orth<sup>4</sup>). It was suggested (and, in some cases, demonstrated experimentally) that a principal function of vegetated habitats was that of predation re-

fugium for the early life stages of many species (Heck and Thoman 1981; Lascara 1981; see also Nelson 1979 and Coen et al. 1981). Although seagrass meadows were contrasted with immediately adjacent unvegetated areas, their value compared with tidal salt marshes was not established.

To place the utilization of SAV and tidal creeks by the immature life stages of dominant species into better perspective, Weinstein and Brooks (1983) undertook a direct comparison of these areas along a contiguous marsh-seagrass ecosystem on the eastern shore of Virginia. Two results of their study were the observations that the dominant finfish in the area—spot, *Leiostomus xanthurus*—was nearly four times more abundant in the tidal creek throughout the study period, and that larger juvenile and adult blue crabs made nearly equal use of both habitats. A further outcome of this study was the obvious need for additional inventories of shallow waters of the lower Chesapeake Bay with regard to the relative value of different habitats to resident species.

For this reason we have extended our program to include a survey of habitat utilization by nekton occupying oligohaline and polyhaline tidal creeks

<sup>1</sup>Contribution No. 1160, Virginia Institute of Marine Science.

<sup>2</sup>Virginia Institute of Marine Science and School of Marine Science, College of William and Mary, Gloucester Point, VA 23062.

<sup>3</sup>Virginia Institute of Marine Science and School of Marine Science, College of William and Mary, Gloucester Point, Va.; present address: Lawler, Matusky and Skelly Engineers, 1 Blue Hill Plaza, Pearl River, NY 10965.

<sup>4</sup>R. J. Orth, Marine Scientist, Virginia Institute of Marine Science, Gloucester Point, VA 23062, pers. commun. May 1982.

of the York River estuary and have included a comparison of the tidal creeks with adjacent shoal areas (about 200 m outside of the tidal creek mouths). Along with data on community composition and structure, we have begun baseline studies of diet composition of dominant species. These aspects of community ecology of York River tidal marshes are reported herein.

## STUDY AREA AND METHODS

The York River is one of six major tributaries which enter the Chesapeake Bay along its western shoreline. The narrow estuary covers about 208 km<sup>2</sup> and extends 46 km from Tue Marsh Light to West Point, Va. (Fig. 1). The upper portion of the York is characterized by broad, shallow flats and tidal creeks dominated by *Spartina* spp. along the shoreline. Upstream the river channel averages 8-9 m in depth, but broadens downstream and reaches a maximum depth of 18-23 m. The Guinea Marshes (Fig. 1) is a major *Spartina alterniflora*-dominated marsh system located near the estuary mouth. Much of the adjacent shallows in this region is carpeted with dense stands of eelgrass, *Zostera marina*, and widgeon grass, *Ruppia maritima*. Salinities are usually in the polyhaline range.

Two tidal creeks were selected for study. Goalders Creek (Fig. 1:location A) was located in the oligohaline-mesohaline zone just below the city of West Point. Blevins Creek (Fig. 1:location B), a part of the Guinea Marsh system, was situated in

the polyhaline zone where salinities always exceeded 16‰. In each creek, one station was established as far upstream as possible, one near the creek mouth, and one about 200 m offshore. All collections were made monthly on consecutive days (March-October 1983), with sampling initiated as close to daytime high tides as possible. Miller and Dunn (1980) collected a greater proportion of fish with stomachs containing food at this time. Creek bottoms were of the mud-silt type and ranged from 1 to 1.5 m deep.

The primary collecting device utilized in this study was a 4.9 m otter trawl consisting of wings and body of 19 mm mesh and a liner of 6.3 mm mesh. This gear was towed for 2-min intervals at a speed of about 1.0 m/s at each station. In an earlier study at Guinea Marshes, Orth and Heck (1980) demonstrated that six hauls of the trawl were necessary in seagrass habitats to attain asymptotic returns on community information (as judged by several diversity indices). Because of the expected lower diversity in the tidal creeks (Weinstein and Brooks 1983), it was determined that four consecutive hauls at each tidal creek station would be sufficient to attain the same level of community information.

Ancillary collections were taken in the tidal creek with a modified Wegener ring (Wegener et al. 1973). The gear was used in depths <1 m, in the vicinity of the trawling stations. The side walls of the ring consisted of 1.5 mm woven netting, with the original design of the gear being changed to include a 305 mm "skirt" and chain attached to the

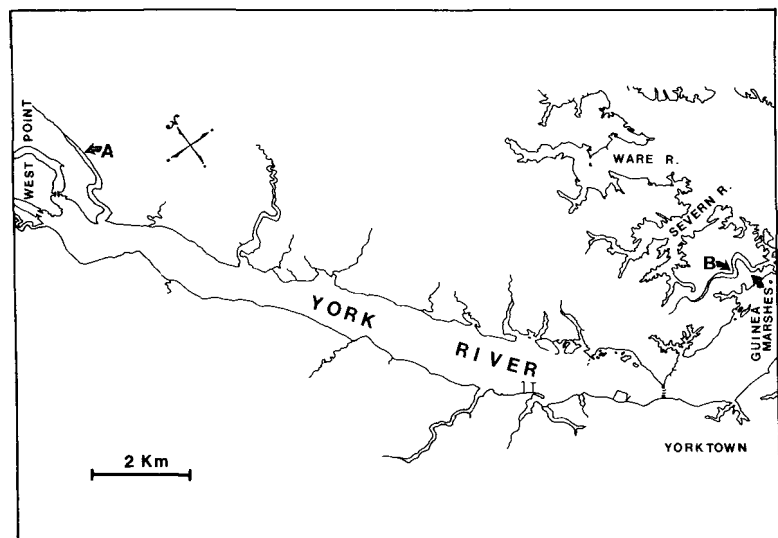


FIGURE 1.—Location of study areas in York River estuary, Va. Three permanent sampling stations were established—near the headwaters, at the mouth, and 200 m offshore of an oligomesohaline (A = Goalders Creek) and polyhaline (B = Blevins Creek) tidal creeks.

leadline hoop which helped fill contours along the bottom. Samples were obtained by tossing the ring from shore and then applying rotenone at a 30 ppb concentration within the confines of the net (Weinstein and Brooks 1983). Stricken fishes were then captured with dip net or swept off the bottom.

Fishes were sorted into 20 mm (or less) size classes and up to 20 randomly selected individuals from each class used for trophic analyses. Stomach fullness was recorded as a relative fullness index (RFI) value (Hyslop 1980). Stomach contents were subsequently analyzed using a modified Carr and Adams (1972) sieve fractionation technique. Total dry weights for each sieve fraction were then obtained and proportioned among the prey taxa identified from a five drop subsample taken before drying. On the assumption that particles of equal size have approximately the same weight, this method agglomerates food particles of roughly the same size.

The Carr and Adams technique provided rapid, accurate identification of food items for a large number of stomachs and has been used with success by several investigators (Sheridan 1979; Sheridan and Livingston 1979; Stoner 1980; Livingston 1982). A useful modification employed in this study was the application of a low pressure stream of compressed air delivered through a Pasteur pipette which greatly aided in removing food particles adhering to the finer screens of the sieves.

Numerical classification analysis used here is similar to the procedures employed by Weinstein (1979) and Weinstein and Brooks (1983). Briefly, marsh creek communities and trophic ecology of dominant species were compared by classification methods using "normal" and "inverse" classification (Clifford and Stephenson 1975). The former method groups sites (or predators) by their species (or prey taxon) attributes; while inverse classification (used only for community analysis purposes here) groups species according to their site of occurrence (i.e., the sites become the attributes of the species). Similarity between sites (or predators) was calculated as the complement of the Canberra metric index:

$$[1/n][\sum_1^N |x_{1j} - x_{2j}| / (x_{1j} + x_{2j})] \quad (1)$$

where  $n$  = number of attributes, and  $x_{1j}$  and  $x_{2j}$  are the values of the  $j$ th attribute for any pair of entities. The merits of the Canberra metric index

have been discussed by Clifford and Stephenson (1975).

Separate matrices were constructed for each comparison from untransformed, pooled monthly data and clustered by the unweighted pair, group-average strategy (Clifford and Stephenson 1975). Species occurring at only one station (singletons) were eliminated prior to the community analyses. Combined trawl and Wegener ring data were used separately in these procedures. Dendrograms for site and species dissimilarity (community analyses) were constructed and cross-tabulated in a two-way coincidence table.

All nekton were preserved in 10% buffered Formalin<sup>5</sup>. Standard length (SL, carapace width for blue crabs) was recorded for all taxa. Up to 30 individuals/species were measured from each collection, subsampling for lengths was employed when sorted collections contained more than 30 individuals of a given species. Prior to each collection, temperature and salinity were recorded with an immersion thermometer and a temperature-compensated refractometer.

## RESULTS

### Abundance and Seasonality

Only two species—spot and the bay anchovy, *Anchoa mitchelli*—comprised >90% of the total number of individuals captured at Blevins Creek and adjacent shoals. Using this same criterion, upstream densities were more equitably distributed with four species in the creek and six on the shoal sharing dominance (Table 1). Blue crabs; white perch, *Morone americana*; and the hogchoker, *Trinectes maculatus*, were in this group in Goalders Creek, while in late summer and fall the Atlantic croaker, *Micropogonias undulatus*, and the weakfish, *Cynoscion regalis*, were also abundant at the shoal station (Table 1).

Species richness (S) was also greater in all months in the Goalders Creek system compared with the polyhaline Blevins Creek (Fig. 2) and was significantly greater for the entire study period (Wilcoxon sign-ranks test;  $P < 0.05$ ). No apparent trend, however, was evident in the number of individuals captured at each locality (Fig. 2), except that peak catches of two dominant species, spot and bay anchovy, were greater in Blevins Creek and resulted in the large disparity in catches in

<sup>5</sup>Reference to trade names does not imply endorsement by the National Marine Fisheries Service, NOAA.

TABLE 1.—Pooled species abundance and percent composition for all trawl collections, York River estuary, Va. N = number of individuals.

Species	N	%	Species	N	%	Species	N	%
Goalders Creek upstream			Goalders Creek downstream			Goalders Creek shoal		
<i>Leiostomus xanthurus</i>	709	170.69	<i>Leiostomus xanthurus</i>	1,646	160.09	<i>Trinectes maculatus</i>	1,439	150.31
<i>Callinectes sapidus</i>	83	18.27	<i>Trinectes maculatus</i>	385	114.05	<i>Leiostomus xanthurus</i>	412	114.40
<i>Anchoa mitchilli</i>	69	16.88	<i>Anchoa mitchilli</i>	373	113.62	<i>Anchoa mitchilli</i>	310	110.84
<i>Morone americana</i>	48	14.79	<i>Callinectes sapidus</i>	144	15.26	<i>Callinectes sapidus</i>	308	110.77
<i>Alosa aestivalis</i>	35	3.49	<i>Ictalurus catus</i>	75	2.74	<i>Micropogonias undulatus</i>	91	13.18
<i>Morone saxatilis</i>	27	2.69	<i>Morone americana</i>	57	2.08	<i>Cynoscion regalis</i>	77	12.69
<i>Ictalurus catus</i>	25	2.49	<i>Brevoortia tyrannus</i>	17	0.62	<i>Ictalurus catus</i>	59	2.06
<i>Brevoortia tyrannus</i>	3	0.30	<i>Cynoscion regalis</i>	16	0.58	<i>Morone americana</i>	57	1.99
<i>Pomatomus saltatrix</i>	1	0.10	<i>Morone saxatilis</i>	8	0.29	<i>Anchoa hepsetus</i>	33	1.15
<i>Peprilus alepidotus</i>	1	0.10	<i>Paralichthys dentatus</i>	3	0.11	<i>Opsanus tau</i>	28	0.98
<i>Anguilla rostrata</i>	1	0.10	<i>Micropogonias undulatus</i>	3	0.11	<i>Ophidion marginata</i>	13	0.45
<i>Trinectes maculatus</i>	1	0.10	<i>Alosa aestivalis</i>	3	0.11	<i>Paralichthys dentatus</i>	12	0.42
Total	1,003	100.00	<i>Opsanus tau</i>	3	0.11	<i>Anguilla rostrata</i>	8	0.28
			<i>Pomatomus saltatrix</i>	2	0.07	<i>Morone saxatilis</i>	5	0.18
			<i>Peprilus alepidotus</i>	1	0.04	<i>Menticirrhus saxatilis</i>	3	0.11
			<i>Alosa sapidissima</i>	1	0.04	<i>Pomatomus saltatrix</i>	2	0.07
			<i>Anguilla rostrata</i>	1	0.04	<i>Peprilus alepidotus</i>	1	0.04
			<i>Syngnathus fuscus</i>	1	0.04	<i>Brevoortia tyrannus</i>	1	0.04
			Total	2,739	100.00	<i>Gobiosoma bosci</i>	1	0.04
						Total	2,860	100.00
Blevins Creek upstream			Blevins Creek downstream			Blevins Creek shoal		
<i>Leiostomus xanthurus</i>	1,301	146.51	<i>Leiostomus xanthurus</i>	1,501	173.69	<i>Leiostomus xanthurus</i>	1,935	180.03
<i>Anchoa mitchilli</i>	1,248	144.62	<i>Anchoa mitchilli</i>	414	120.32	<i>Anchoa mitchilli</i>	385	115.92
<i>Callinectes sapidus</i>	162	5.79	<i>Callinectes sapidus</i>	103	5.05	<i>Callinectes sapidus</i>	49	2.03
<i>Trinectes maculatus</i>	35	1.25	<i>Paralichthys dentatus</i>	6	0.30	<i>Trinectes maculatus</i>	10	0.42
<i>Brevoortia tyrannus</i>	23	0.82	<i>Menidia menidia</i>	5	0.24	<i>Bairdiella chrysoura</i>	10	0.42
<i>Menidia menidia</i>	17	0.61	<i>Gobiosoma bosci</i>	2	0.10	<i>Paralichthys dentatus</i>	6	0.25
<i>Fundulus heteroclitus</i>	5	0.18	<i>Trinectes maculatus</i>	2	0.10	<i>Opsanus tau</i>	4	0.17
<i>Gobiosoma bosci</i>	3	0.11	<i>Cobioseox strumosus</i>	2	0.10	<i>Micropogonias undulatus</i>	3	0.12
<i>Cynoscion regalis</i>	1	0.04	<i>Peprilus triacantus</i>	1	0.05	<i>Stenotomus chrysops</i>	2	0.08
<i>Morone americana</i>	1	0.04	<i>Microgobius thalassinus</i>	1	0.05	<i>Anchoa hepsetus</i>	2	0.08
<i>Microgobius thalassinus</i>	1	0.03	Total	2,037	100.00	<i>Syngnathus fuscus</i>	2	0.08
Total	2,797	100.00				<i>Gobiosoma bosci</i>	2	0.08
						<i>Menidia menidia</i>	2	0.08
						<i>Synodus foetena</i>	2	0.08
						<i>Centropristis striata</i>	1	0.04
						<i>Rachycentron canadum</i>	1	0.04
						<i>Brevoortia tyrannus</i>	1	0.04
						<i>Urophycis regia</i>	1	0.04
						Total	2,418	100.00

<sup>1</sup>Species comprising >90% of the total number of individuals.

May and July. Except for the spike seen in Figure 2, resultant from a large influx of bay anchovy into Blevins Creek in July, combined catches of all other taxa were at a minimum for the summer months (June-August) coincident with peak summer temperatures.

Seasonal abundance of the more common species was typically associated with recruitment of young-of-year individuals into the tidal creeks and adjacent shoals. Young spot dominated in both creeks but were subsequently replaced by post-larval and juvenile bay anchovy (July), and thereafter at Goalders Creek by hogchoker (August), weakfish (August-September), and Atlantic croaker (October). In addition, white catfish, *Ictalurus catus*, and white perch were frequently captured in the Goalders Creek vicinity during early spring when salinities were at their lowest recorded levels. Because of the overall seasonal abundance, it was possible to examine spatial and

temporal distributions of spot in greater detail (Fig. 3, Table 2). As expected, spot were more abundant outside of the creeks very early in recruitment; but by June had established a greater degree of residency within the creeks compared with the adjacent shoals. This pattern of large creek to shoal abundance ratios (Fig. 3) continued (with a single exception) until October when spot emerged from Blevins Creek. Note, however, that at the termination of the sampling program, this emigration had not taken place upstream. Similar

TABLE 2.—Relative abundance of *Leiostomus xanthurus* at tidal creek stations, York River estuary.

Location	Mar.	Apr.	May	June	July	Aug.	Sept.	Oct.
Goalders Creek								
Upstream	0	1	401	85	51	58	68	45
Downstream	0	52	624	318	236	172	93	151
Blevins Creek								
Upstream	0	19	493	326	292	60	105	6
Downstream	0	18	586	337	102	150	221	87

patterns of earlier downstream emigration were observed during 1976-78 in the Cape Fear estuary, N.C. (Weinstein and Walters 1981; Weinstein pers. obs.), the cause of which remains unexplained. It is evident from Table 2 that spot may have been more

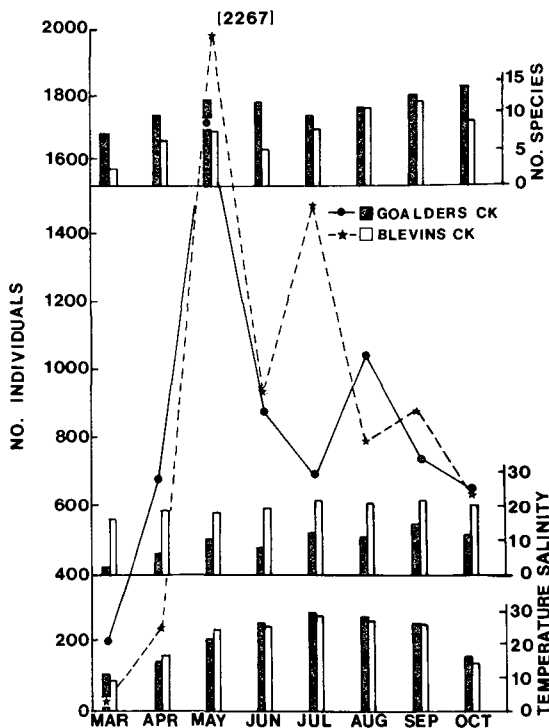


FIGURE 2.—Total numbers of individuals and species captured in monthly tidal creek collections. Temperatures and salinities are mean values recorded at each creek in each month.

restricted in their upstream movement in Goalders Creek where salinities averaged about 2‰ lower at the upstream station than at the creek mouth. The ratio of upstream to downstream station catch was twice as high at Blevins Creek, supporting this pattern. Other species which seem to prefer a specific portion of the tidal creek to shoal habitat gradient included hogchoker, weakfish, and Atlantic croaker which had creek-to-shoal ratios (over all months) of 0.13, 0.10, and 0.02, respectively. Moreover, these species were far more abundant at upstream sites (Table 1).

### Community Composition

A two-way coincidence table, using a similarity value of 0.200 to define clusters (Clifford and Stephenson 1975), was constructed in order to summarize species and site relationships for pooled monthly collections at each station (Table 3). Included in this analysis are samples collected with the Wegener ring, a gear which was expected to be more successful in collecting both cryptic species (e.g., Gobiidae) and shore-zone taxa (e.g., cyprinodonts [Cyprinodontidae] and silverside [Atherinidae]). It should be pointed out, however, that any comparisons between the Wegener ring and trawl samples are qualitative since no attempt was made to compare gear selectivity, efficiency, and area encompassed by a unit effort for each sampling device (Weinstein and Brooks 1983).

Species group IV (Table 3) was generally the most ubiquitously distributed assemblage over the range of environmental factors (particularly

FIGURE 3.—Relative densities of *Leiostomus xanthurus* at tidal creek (values shown are monthly means for both creek stations) and shoal sampling localities. May values for Blevins Creek are drawn to half-scale. Values appearing above histograms are ratios of creek to shoal densities.

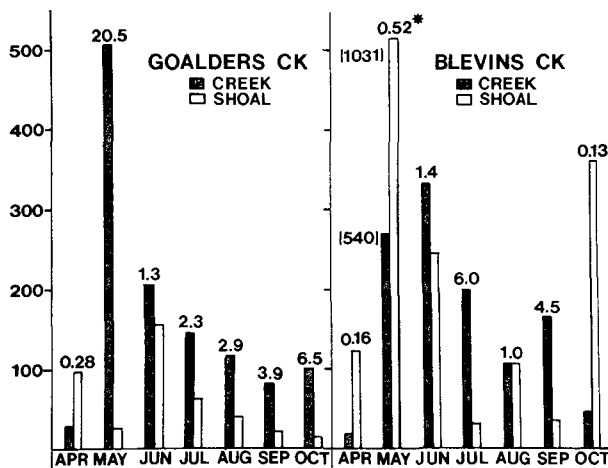


TABLE 3.—Two-way coincidence table comparing stations (Groups A-D) and species (groups I-VI) associations at York River estuary sites. Clustering by unweighted-pair group-average; similarity index = Camberra metric, all data  $\log_{10}(\alpha + 1)$  transformed, single station occurrences dropped. G = Goalders Creek, B = Blevins Creek, U = upstream, D = downstream, S = shoal stations, W = Wegener ring samples.

Group	Species	A			B			C			D
		GU	GD	GS	BU	BD	BS	GUW	BDW	BUW	GDW
I	<i>Paralichthys dentatus</i>		3	12		6	6				1
	<i>Micropogonias undulatus</i>		3	91			3				
	<i>Opsanus tau</i>		3	28			4				
	<i>Anchoa hepsetus</i>			33			2				
	<i>Cynoscion regalis</i>		16	77	1						
	<i>Syngnathus fuscus</i>			1			2	1			
II	<i>Pomatomus saltatrix</i>	1	2	2							
	<i>Peprilus alepidotus</i>	1	1	1							
	<i>Anguilla rostrata</i>	1	1	8							
	<i>Morone saxatilis</i>	27	8	5							
	<i>Ictalurus catus</i>	24	75	59							1
	<i>Brevoortia tyrannus</i>	3	17	1	23		1				7
III	<i>Alosa aestivalis</i>	35	3					1	1		5
	<i>Fundulus heteroclitus</i>				5			1	3	23	1
	<i>Menidia beryllina</i>							3	6		3
IV	<i>Morone americana</i>	48	57	57	1			2		1	10
	<i>Leiostomus xanthurus</i>	709	1,646	412	1,301	1,501	1,935	9	14	14	3
	<i>Anchoa mitchilli</i>	69	373	310	1,248	414	385	3		4	32
	<i>Trinectes maculatus</i>	1	385	1,439	35	2	10	1			
	<i>Callinectes sapidus</i>	83	144	308	162	103	49				
	<i>Gobiosoma boscii</i>			1	3	2	2	2	13	4	106
V	<i>Menidia menidia</i>				17	5	2				24
	<i>Fundulus majalis</i>									2	1
VI	<i>Microgobius thalassinus</i>				1	1					

salinity) examined. Nonetheless, within this group were several species which displayed area-specific distributions, in either relative numbers or presence/absence in a given creek system. Examples of the former include the hogchoker and bay anchovy and of the latter, white perch, which was far more prevalent upstream. The Goalders Creek nekton community was also dominated by members of groups I and II, whose members were rare or absent at downstream localities. Remaining species were generally not captured in sufficient numbers to depict their role in defining community structure in each area.

### Trophic Analysis

Six species (Fig. 4) were sufficiently abundant in time and space to allow a comparative trophic analysis to be undertaken. Collectively, they exceeded 98% of the total number of individuals captured during this study. Prey taxa were defined on the basis of 39 categories (Table 4). All but two—miscellaneous (MISC) and unidentified (UID)—were mutually exclusive. These two did not exceed 17% of the total diet composition of any one species and were generally much lower than this amount. The dietary relationships of these six species are summarized across all sampling strata by the dendrograms appearing in Figure 4. With the exception of summer flounder, *Paralichthys dentatus*,

sufficient numbers of individuals were captured to also allow partitioning by size classes. Such ontogenetic summaries are shown in Figure 5.

Although more than 2,600 specimens were examined for diet composition, sample sizes were not sufficient in the first year of the study to examine details of seasonal nor spatial food utilization in all species except spot (O'Neil 1983). In addition, several species were only abundant in a restricted area (Table 1) or attained peak abundance in a relatively narrow time frame, precluding dietary comparison of dominant species (Fig. 6).

Diet overlap was greatest between white perch and hogchoker (Fig. 4). Dietary items shared by these species included clam siphons, *Leptoichirus plumulosus*, and other gammarid amphipods. Both predators were generally habitat-specific, with young-of-year white perch more abundant in the creeks and hogchoker prevalent on the river shoals (Table 1). Largely because of fish (TEL) included in the diet of larger individuals, white catfish displayed somewhat less overlap in its diet compared with the former species, but because of its partial piscivorous habits shared this similarity with the major fish predator captured in our trawl samples—the summer flounder. Both small summer flounder and white perch (<61 mm) also consumed substantial quantities of the mysid shrimp *Neomysis americana*.

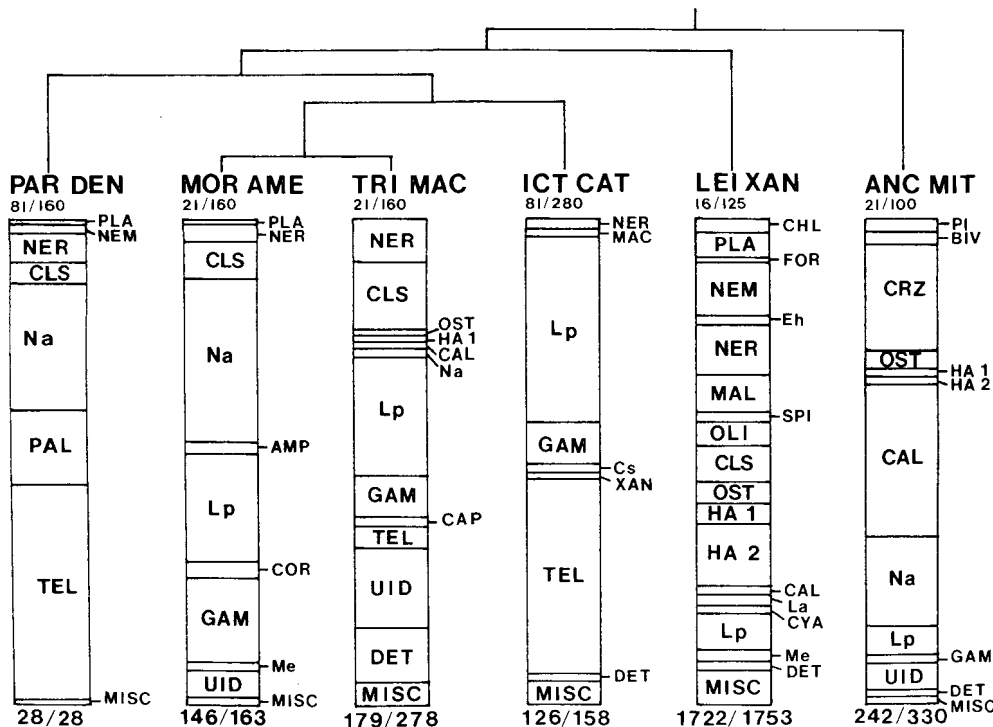


FIGURE 4.—Trophic comparisons among dominant predators (those comprising >98% of the total number of individuals captured), pooled across all sampling strata. PAR DEN = *Paralichthys dentatus*; MOR AME = *Morone americana*; TRI MAC = *Trinectes maculatus*; ICT CAT = *Ictalurus catus*; LEI XAN = *Leiostomus xanthurus*; ANC MIT = *Anchoa mitchilli*. Ratios appearing below histograms represent stomachs with food as a proportion of total stomachs. Values above histograms are size ranges (standard lengths). Diet composition was compared using Canberra metric and unweighted-pair group-average clustering strategy, data untransformed. Prey designations are defined in Table 4.

TABLE 4.—Prey categories used for trophic comparisons. All but unidentified (UID) and miscellaneous (MISC) are mutually exclusive feeding categories.

AMP	Amphipoda	La	<i>Leucon americanus</i>
BIV	Bivalves	Lp	<i>Leptocheirus plumulosus</i>
BRA	Branchiopoda	MAC	<i>Macoma</i> sp.
CAL	Calanoids	MAL	Maldanidae
CAP	Caprellidae	Me	<i>Monoculodes edwardsi</i>
CLS	Clam siphons	MISC	Miscellaneous
CHI	Chironomidae	Na	<i>Neomysis americana</i>
CHL	Chlorophyta	NEM	Nematoda
COR	Corophiidae	NER	Nereidae
Crs	<i>Crangon septemspinosa</i>	OLI	Oligochaeta
CRZ	Crab zoea	OST	Ostracods
Cs	<i>Callinectes sapidus</i>	PAL	Palaemonidae
CYA	Cyathura	PI	<i>Polydora ligni</i>
DET	Detritus	PLA	Plant matter
Eh	<i>Eteone heteropoda</i>	POL	Polychaeta
Et	<i>Edotea tribola</i>	SPI	Spionidae
FOR	Foraminifera	TEL	Teleostei
GAM	Gammaridae	UID	Unidentified remains
HA1	Harpacticoid 1	XAN	Xanthidae
HA2	Harpacticoid 2		

Among the six species examined, spot and bay anchovy displayed the least dietary overlap, with the former exhibiting the greatest dietary diver-

sity (consisting mainly of benthic prey items), and the latter including a greater percentage of planktonic food items in its diet. However, the large variety of prey items consumed by all species indicates that each is a trophic opportunist (Darnell 1958, 1961; Carr and Adams 1973; Sheridan and Livingston 1979; Livingston 1982).

Ontogenetic shifts in diet were evident for each of the species examined (Fig. 5). In spot, dietary importance of calanoid copepods declined in fish >20 mm SL, while harpacticoid copepods increased in importance in fish 21-80 mm SL. Concurrently, the percentage of various polychaetes and gammarid amphipods slowly increased in their diet. Nematodes also became less important with increasing size. Interestingly, spot stomachs at all sizes contained clam siphons and maldanid tails, indicating that specific parts of larger prey were important dietary items.

Ostracods and crab zoea were abundant food items for small (<21 mm SL) bay anchovy; larger





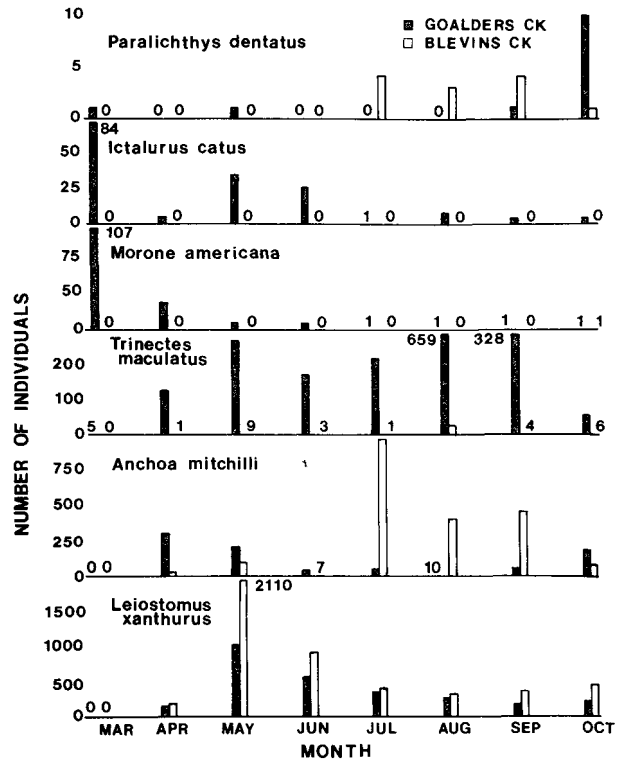


FIGURE 6.—Seasonality of selected taxa at tidal creek and shoal stations, York River estuary, Va. Numbers on x axis are sample sizes too small to plot.

individuals incorporated more *Neomysis americana*, calanoid copepods, and gammaridean amphipods into their diet. In hogchokers, however, gammarids predominated in smaller individuals, <61 mm SL, but with increasing size became somewhat less important and were replaced by nereid polychaetes and clam siphons. Hogchokers had the highest proportion of unidentified remains (UID) of any predator examined due to the high level of maceration characteristic of this species.

*Neomysis americana* was clearly the dominant prey item of small (<60 mm SL) white perch, but became less important in the diets of larger individuals which fed increasingly on gammarid amphipods and clam siphons. White catfish <120 mm SL also fed conspicuously on amphipods but, uniquely among the predators examined, also fed upon xanthid crabs, and at larger sizes incorporated a substantial proportion of fishes into their diet.

Relative fullness indices displayed varying trends on a species-specific basis (Table 5). Values declined in the later part of the study for white perch and white catfish, whereas no apparent trends were observed for other species.

TABLE 5.—Monthly relative fullness index (RFI) for six dominant fishes in the York River estuary, Va. Values are means for all individuals examined.

Species	Mar.	Apr.	May	June	July	Aug.	Sept.	Oct.
<i>Anchoa mitchilli</i>		0.66	2.73	1.60	2.16	2.72	2.43	1.03
<i>Ictalurus catus</i>	2.53	2.20	1.84	1.50		1.19	1.74	1.00
<i>Leiostomus xanthurus</i>		2.45	2.45	2.62	2.59	2.77	2.51	1.98
<i>Morone americana</i>	2.65	1.59	1.14	1.00		1.00		0.50
<i>Paralichthys dentatus</i>	2.60				3.33	2.50	3.50	4.00
<i>Trinetes maculatus</i>		1.82	1.91	1.45	1.47	1.60	0.88	1.30

## DISCUSSION

### Species Composition and Abundance

Along with other recent studies of shallow-water nekton (Orth and Heck 1980; Weinstein and Brooks 1983; Heck and Thoman 1984), the present effort provides additional information on the use of inshore habitats of the lower Chesapeake Bay. A striking characteristic of the marsh nekton community in the lower Chesapeake Bay is the generally low diversity of the constituent fauna and the high level of dominance of only a few species. On both the eastern shore of Virginia (Delmarva Peninsula) (Weinstein and Brooks 1983) and in the

York River estuary, no more than two species comprised >90% of the total number of individuals captured at polyhaline tidal creek stations. On the average, spot comprised 71.8% of this total. Only in the oligomesohaline Goulders Creek was species dominance shared by more than two species (Table 1), but once again, spot predominated with 65.4% of the total. By comparison, Hackney et al. (1976) reported a mean of seven species totaling >90.0% at four trawl stations in their study of a mesopolyhaline tidal creek in Georgia, while in several studies in South and North Carolina (Cain and Dean 1976; Bozeman and Dean 1980; Weinstein et al. 1980) three to nine species ( $\bar{x} = 7$ ) comprised this total. Species richness was significantly greater in Goaders Creek than in the polyhaline Blevins Creek system. This is somewhat surprising since previous studies have often shown that diversity decreases for both fishes and invertebrates in the upstream direction (Dahlberg 1972; Boesch 1977; Gainey and Greenberg 1977; Weinstein et al. 1980). The absence or scarcity of stenohaline marine species derived largely from the seasonally abundant southern Carolinian ichthyofauna may partially explain this difference in the York River estuary. In North Carolina, for example, these taxa increased species richness in polyhaline tidal creeks, especially near the estuary mouth (Weinstein 1979; Weinstein et al. 1980). Also present in estuaries below the Chesapeake Bay are species with warm-temperate affinities which share dominance with spot and bay anchovy, including *Mugil cephalus*, *M. curema*, *Lagodon rhomboides*, *Paralichthys lethostigma*, *Bairdiella chrysura*, and the brown shrimp, *Penaeus aztecus*. These species are much less common in the Chesapeake Bay.

Another noteworthy finding is that species replacement does not occur from regional and northerly taxa. For example, *Ophidion marginata*, *Stenotomus chrysops*, *Urophycis regia*, and *Centropomus striata* were only rarely encountered in our studies (Weinstein and Brooks 1983). In the present investigation, these species were restricted to shoal stations outside of the tidal creek mouths (Table 1). Thus, there appears to be an underutilization of shallow nursery habitats by transient marine fishes in the Chesapeake Bay compared with the lower latitude estuaries (for more detailed discussion see Weinstein and Brooks 1983 and Heck and Thoman 1984). This difference is perhaps due partly to the unique location of the Chesapeake Bay in the transition zone between faunal provinces (Briggs 1974) with

neither taxonomic group able to adapt fully to conditions (primarily temperature regimes and their variance?) associated with this transition zone. The recent geological and evolutionary history of northern estuaries, including the Chesapeake Bay (Shubel and Hirschberg 1978), may also play a role in determining the degree of estuarine dependency of local faunas.

A unique aspect of this study was the opportunity to compare utilization of the tidal creeks with adjacent shoal areas. Previously, these comparisons had to be made among collections with different gears (and their associated selectivity and efficiency) or in different years or by different investigators (Chao and Musick 1977; Markle 1976). The results for spot are of interest because of the general dominance of this species in many estuaries along the Atlantic and Gulf coasts.

Recently, Weinstein and Walters (1981), Weinstein and Brooks (1983), and Weinstein (1983) described the importance of marshes, specifically tidal creeks, to this species and the relationship between productivity and energy export via several fish vectors—from the marshes ultimately to the marine environment (Weinstein 1981). Spot were recruited into upstream marshes of the York River estuary earlier than to downriver sites and tended to remain there longer (Fig. 3). Once recruited into the marshes (by June) spot reside here until fall, when they emigrated into deeper water, and finally (for most individuals) return to the marine environment. As expected, however, there is an upstream limit to utilization in oligohaline tidal creeks where we found densities of spot decreased (Table 2) as salinities became more variable (approaching 0‰) and where temperature regimes became more unstable (Hackney et al. 1976). Whether the lower abundance of spot outside of the creeks is due to differential mortality and/or habitat selection remains unknown. Other taxa, e.g., young-of-year Atlantic croaker, weakfish, and hogchoker, apparently prefer the shoals and generally deeper water. There is little question that they are more abundant outside of the marshes (Chao and Musick 1977; Orth and Heck 1980; Weinstein and Brooks 1983; Middleton, unpubl. data). If, as many would argue, predation is a major regulator of local abundance and ultimately community structure, what protection would the homogenous, relatively unstructured shoals and flats afford these species? Considering the apparent physical and behavioral similarities, as well as recruitment dynamics between spot and Atlantic croaker, there does not seem to be any

significant adaptive feature of the latter that would provide better survivorship in open waters (at least with regard to predation). Just how this species and others minimize the effects of predation in open waters is an important research question for the future.

### Trophic Comparisons

The six species examined in detail are clearly trophic opportunists and overlap in many food categories. In addition, each goes through distinct ontogenetic stages in feeding which include significant shifts in the portions of the water column searched. The prey taxa have been categorized by Darnell (1961), Qasim (1972), and Chao and Musick (1977) according to their vertical occurrence in the water column from open waters to the bottom: fishes, macrozooplankton (e.g., *Neomysis americana*), microzooplankton (e.g., calanoid copepods), epibenthos (e.g., harpacticoid copepods), infauna, and organic matter. At sizes <21 mm SL all five of the species examined apparently spent considerable periods foraging in the water column. Between 21 and 40 mm SL several species continued to feed on "pelagic" prey, although by this size the transition to benthic feeding was nearly complete in spot and hogchoker.

Whether resource partitioning or dietary specialization (Chao and Musick 1977) occurs in these taxa as a means of reducing interspecific interactions is a matter of speculation. Without question, there are differences in feeding localities of the fishes examined—e.g., white perch and white catfish are generally restricted to oligohaline habitats, while Atlantic croaker and hogchoker are more abundant on the shoals. Also noted are differences in seasonal abundance (Fig. 6), size related feeding distributions reflecting ontogenetic shifts (Fig. 5), morphological differences among predators (Chao and Musick 1977), etc. But whether or not any of these traits reflect past or present competitive pressures remains unknown. Food that is generally limiting for several of these species and others is currently an area of controversy. Currin et al. (in press) have suggested that predation, not resources, limits production rates of spot and Atlantic croaker in shallow marsh embayments in Albermarle Sound, N.C. In contrast, Weisberg and Lotrich (1980) found that growth rates of the mummichog, *Fundulus heteroclitus*, could be altered by manipulating fish density. Increased growth rates were also demonstrated with food enrichment experiments in sub-

tidal areas. Similar findings were reported by Miklas and Reed (in press) for *F. heteroclitus* populations in a tidal tributary of the Rhode River, Del. Our own findings of a seasonal decline in relative fullness index values in several species, along with a parallel decline in benthic biomass (T. Fredette<sup>6</sup>), tend to support the possibility of periodic food scarcity.

Trophic opportunism has often been cited in studies of estuarine fishes (Darnell 1958, 1961; Livingston 1982). Several investigators have pointed to the importance of omnivorous and ontogenetic progressions in feeding stages (Sheridan 1979; Stoner 1980; Livingston 1982) as obscuring distinct trophic relationships in nektonic food webs. Along with these difficulties are problems associated with the "snapshot" view often gained of the system. Numerically abundant species are likely to play the major role in conversion and production of organic materials in estuaries (and are, therefore, mainly responsible for the construct of food webs and energy flow therein), yet the identification of these species often comes from the sampling program itself.

Thus, although the dominant species in this study, spot, is undoubtedly important in this regard, the selective nature of our sampling effort does not allow us to place this importance in proper perspective. It is probable that dominance, expressed in numbers and/or biomass of those species captured in this study, is shared and sometimes surpassed by other local species not sampled quantitatively by this program. These include young-of-year bluefish, *Pomatomus saltatrix*; various cyprinodonts, especially *F. heteroclitus*; anchovies; and silversides. On an estuary-wide basis, we also do not completely "track" species distributions in time and space (Purvis 1976) so that our already distorted view of local habitats cannot easily be extrapolated to system-wide considerations. Such difficulties occur in most studies and must be recognized and eventually accounted for in considerations of fish community ecology in estuaries.

### SUMMARY

Tidal creeks of the York River estuary were characterized by distinct nekton communities displaying low diversity and dominated by relatively

<sup>6</sup>T. F. Fredette, Marine Scientist, Department of the Army/Corps of Engineers, P.O. Box 631, Vicksburg, MS 39189, pers. commun. September 1982.

few taxa. Of the many transient marine species (Weinstein 1979; Weinstein et al. 1980) that utilize marsh creeks along the Atlantic coast, only the spot, *Leiostomus xanthurus*, seemed to actively select this habitat. Within creeks there also was an apparent upstream limit in abundance of this species at low salinities. Although not captured quantitatively in this study, Atlantic menhaden, *Brevortia tyrannus*, were often observed in large numbers in the creeks, especially upstream. Other species, particularly Atlantic croaker, weakfish, and hogchoker were captured in greater numbers in low salinity shoal waters (<5 m) adjacent to marshes. Compared with the polyhaline marshes and shoals, stations sampled upstream in oligomesohaline waters were more diverse and had a larger variety of taxa apparently utilizing this area as a primary nursery habitat. In addition to the species mentioned above, white perch; striped bass, *Morone saxatilis*; and white catfish were seasonally present as young-of-year in the area.

Dietary composition of the six species examined in detail reflected that of trophic opportunism, with maximum dietary diversity displayed by spot. Ontogenetic progressions in diet also were observed in all species. Two species, summer flounder and white catfish, were piscivorous at larger sizes, feeding mainly on *Anchoa* spp. The apparent absence of specialization in any of these predators may reflect the general adequacy of food supplies in the primary nurseries.

## ACKNOWLEDGMENTS

We thank K. Anderson, H. Brooks, and S. Webb for their aid in the field and laboratory and T. Fredette and R. Diaz for giving freely of their time in helping us identify difficult food items. Any errors in their identification, however, are solely our responsibility. All drafts of the manuscript were typed by G. Dunaway. We also wish to express our gratitude to R. Anderson for providing several computer programs for our use. This study was funded by EPA Grant #R808707 to Michael Weinstein.

## LITERATURE CITED

- BOESCH, D. F.  
1977. A new look at the zonation of benthos along the estuarine gradient. In B. C. Coull (editor), *Ecology of marine benthos*, p. 245-266. Univ. South Carolina Press, Columbia.
- BOZEMAN, E. L., JR., AND J. M. DEAN.  
1980. The abundance of estuarine larval and juvenile fish in a South Carolina intertidal creek. *Estuaries* 3:89-97.
- BRIGGS, J. C.  
1974. *Marine zoogeography*. McGraw-Hill Co., N.Y., 475 p.
- CAIN, R. L., AND J. M. DEAN.  
1976. Annual occurrence, abundance and diversity of fish in a South Carolina intertidal creek. *Mar. Biol. (Berl.)* 36:369-379.
- CARR, W. E. S., AND C. A. ADAMS.  
1972. Food habits of juvenile marine fishes: Evidence of the cleaning habit in the leatherjacket, *Oligoplites saurus*, and the spottail pinfish, *Diplodus holbrooki*. *Fish. Bull.*, U.S. 70:1111-1120.  
1973. Food habits of juvenile marine fishes occupying seagrass beds in the estuarine zone near Crystal River, Florida. *Trans. Am. Fish. Soc.* 102:511-540.
- CHAO, L. N., AND J. A. MUSICK.  
1977. Life history, feeding habits, and functional morphology of juvenile sciaenid fishes in the York River estuary, Virginia. *Fish. Bull.*, U.S. 75:657-702.
- CLIFFORD, H. T., AND W. STEPHENSON.  
1975. An introduction to numerical classification. Acad. Press, N.Y., 229 p.
- COEN, L. D., K. L. HECK, JR., AND L. G. ABELE.  
1981. Experiments on competition and predation among shrimps of seagrass meadows. *Ecology* 62:1484-1493.
- CURRIN, B. M., J. P. REED, AND J. M. MILLER.  
In press. Growth, production, consumption and mortality of juvenile fishes; A comparison of tidal and non-tidal nursery areas. *Estuaries*.
- DAHLBERG, M. D.  
1972. An ecological study of Georgia coastal fishes. *Fish. Bull.*, U.S. 70:323-353.
- DARNELL, R. M.  
1958. Food habits of fishes and larger invertebrates of Lake Pontchartrain, Louisiana, an estuarine community. *Publ. Inst. Mar. Sci., Univ. Tex.* 5:353-416.  
1961. Trophic spectrum of an estuarine community, based on studies of Lake Pontchartrain, Louisiana. *Ecology* 42:553-568.
- ENVIRONMENTAL PROTECTION AGENCY.  
1979. Second Annual Workshop Chesapeake Bay Program. U.S. Environ. Prot. Agency, Hampton, Va., 579 p.
- GAINES, L. F., JR., AND M. J. GREENBERG.  
1977. Physiological basis of the species abundance-salinity relationship in molluscs: A speculation. *Mar. Biol. (Berl.)* 40:41-49.
- HACKNEY, C. T., W. E. BURBANCK, AND O. P. HACKNEY.  
1976. Biological and physical dynamics of a Georgia tidal creek. *Chesapeake Sci.* 17:271-280.
- HECK, K. L., JR., AND T. A. THOMAN.  
1981. Experiments on predator-prey interactions in vegetated aquatic habitats. *J. Exp. Mar. Biol. Ecol.* 53:125-134.  
1984. The nursery role of seagrass meadows in the upper and lower reaches of the Chesapeake Bay. *Estuaries* 7:70-92.
- HYSLOP, E. J.  
1980. Stomach contents analysis—a review of methods and their application. *J. Fish Biol.* 17:411-429.
- LASCARA, V. J.  
1981. Fish predator-prey interactions in areas of eelgrass (*Zostera marina*). M.S. Thesis, Coll. William and Mary, Williamsburg, Va., 81 p.

- LIVINGSTON, R. J.  
1982. Trophic organization of fishes in a coastal seagrass system. *Mar. Ecol. Prog. Ser.* 7:1-12.
- MARKLE, D. F.  
1976. The seasonality of availability and movements of fishes in the channel of the York River, Virginia. *Chesapeake Sci.* 17:50-55.
- MIKLAS, J., AND C. REED.  
In press. Comparisons of production dynamics in tidal marsh creek and open water shoreline populations of *Fundulus heteroclitus*. *Trans. Am. Fish. Soc.*
- MILLER, J. M., AND M. L. DUNN.  
1980. Feeding strategies and patterns of movements in juvenile estuarine fishes. In V. S. Kennedy (editor), *Estuarine perspectives*, p. 437-448. Acad. Press, N.Y.
- NELSON, W. G.  
1979. Experimental studies of selective predation on amphipods: consequences for amphipod distribution and abundance. *J. Exp. Mar. Biol. Ecol.* 38:225-245.
- O'NEIL, S. P.  
1983. The distribution and trophic ecology of young-of-year spot (*Leiostomus xanthurus*, Lacepede) in polyhaline versus meso-oligohaline tidal creeks and adjacent shoals of the York River, Virginia. M.S. Thesis, Virginia Commonwealth University, Richmond, 54 p.
- ORTH, R. J., AND K. L. HECK, JR.  
1980. Structural components of eelgrass (*Zostera marina*) meadows in the lower Chesapeake Bay—Fishes. *Estuaries* 3:278-288.
- PURVIS, C.  
1976. Nursery area survey of northern Pamlico Sound and tributaries. Div. Mar. Fish. Rep. (prepared for U.S. Dep. Commer., NOAA, Natl. Mar. Fish Serv.), 62 p.
- QASIM, S. Z.  
1972. The dynamics of food and feeding habits of some marine fishes. *Indian J. Fish.* 19:11-28.
- SCHUBEL, J. R., AND D. J. HIRSCHBERG.  
1978. Estuarine graveyards, climatic change, and the importance of the estuarine environment. In M. L. Wiley (editor), *Estuarine interactions*, p. 285-303. Acad. Press, N.Y.
- SHERIDAN, P. F.  
1979. Trophic resource utilization by three species of sci-  
aenid fishes in a northwest Florida estuary. *Northeast Gulf Sci.* 3:1-14.
- SHERIDAN, P. F., AND R. J. LIVINGSTON.  
1979. Cyclic trophic relationships of fishes in an unpolluted, river-dominated estuary in north Florida. In R. J. Livingston (editor), *Ecological processes in coastal and marine systems*, p. 143-161. Plenum Press, N.Y.
- STONER, A. W.  
1980. Feeding ecology of *Lagodon rhomboides* (Pisces: Sparidae): Variation and functional responses. *Fish. Bull., U.S.* 78:337-352.
- WEGENER, W., D. HOLCOMB, AND V. WILLIAMS.  
1973. Sampling shallow water fish populations using the Wegener ring. *Proc. Annu. Conf. Southeast. Game Fish Comm.* 27:663-673.
- WEINSTEIN, M. P.  
1979. Shallow marsh habitats as primary nurseries for fishes and shellfish, Cape Fear River, North Carolina. *Fish. Bull., U.S.* 77:339-357.  
1981. Plankton productivity and the distribution of fishes on the southeastern U.S. continental shelf. *Science (Wash., D.C.)* 214:351-352.  
1983. Population dynamics of an estuarine-dependent fish, the spot (*Leiostomus xanthurus*), along a tidal creek—seagrass meadow coenocline. *Can. J. Fish. Aquat. Sci.* 40:1633-1638.
- WEINSTEIN, M. P., AND H. A. BROOKS.  
1983. Comparative ecology of nekton residing in a tidal creek and adjacent seagrass meadow: community composition and structure. *Mar. Ecol. Prog. Ser.* 12:15-27.
- WEINSTEIN, M. P., AND M. F. WALTERS.  
1981. Growth, survival and production in young-of-year populations of *Leiostomus xanthurus* Lacépède, residing in tidal creeks. *Estuaries* 4:185-197.
- WEINSTEIN, M. P., S. L. WEISS, AND M. F. WALTERS.  
1980. Multiple determinants of community structure in shallow marsh habitats, Cape Fear River estuary, North Carolina, USA. *Mar. Biol. (Berl.)* 58:227-243.
- WEISBERG, S. B., AND V. A. LOTRICH.  
1980. Food limitation of the mummichog, *Fundulus heteroclitus*, in a Delaware salt marsh. [Abstr.] *Am. Zool.* 20:880.