

Detection Of Fetal Electrocardiogram from Multivariate Abdominal Recordings by using Wavelets and Neuro-Fuzzy Systems

Pradeep Kumar¹, Dr. Sudhir Kumar Sharma² and Dr.Sidheshwar Prasad³

1.Research Scholar at JNU Jaipur, email:pra_deep_jec@yahoo.co.in

2. Email:sudhir009@gmail.com 3. Email: psidheshwar@rediffmail.com

Abstract

The fetal electrocardiogram (FECG) signal reflects the electrical activity of the fetal heart. It contains information on the health status of the fetus and therefore, an early diagnosis of any cardiac defects before delivery (Specially in case of labour pain) increases the effectiveness of the appropriate treatment. In this paper we consider one signal from the thoracic and another from abdomen of the mother. The artificial neural network fuzzy inference system (ANFIS) is used for estimating the FECG component from one abdominal ECG recording and one reference thoracic maternal electrocardiogram (MECG) signal. The obtained FECG is being enhanced by using wavelet transform.

Key words: ECG, MECG, FECG, Neural network , Fuzzy logic, Membership function and Wavelet transform.

I. INTRODUCTION

Fetal electrocardiography provides a method for monitoring the fetal cardiac cycle. Two systems are in use; direct, in which the fetal ECG is recorded using an electrode attached to the scalp, and indirect or abdominal fetal ECG, in which the fetal ECG is sensed at the maternal abdominal [1] wall. The former technique is invasive and can only be performed during labour. In the United Kingdom about 5 fetuses per 1000 die unexpectedly before birth. About 2 per 1000 result from congenital abnormality. Fetal morbidity, if it remains undetected, can exert a profound influence on outcome and later development.

The electrocardiogram (ECG) gives a graphic recording of the electric forces generated by the heart during polarization and depolarization [2]. In this paper we propose non-invasive technique, in which ANFIS is used to obtain FECG from the contaminated abdomen signal and wavelet transform to obtain enhanced FECG. This paper is organised as: section II deals about proposed system, section III discuss about results and section IV consists of references.

II. THE PROPOSED SYSTEM

In our propose system, which is shown in fig.1. we generate two ECG signals with the help of two leads. One ECG is obtained from thoracic and another from the abdomen area of the pregnant women, which is represented by $x(n)$ and $w(n)$ respectively. The MECG is going through non-linear transform after its generation. On the other side same MECG is passed through neuro-fuzzy system [4] and filter to obtain noise free and better ECG.

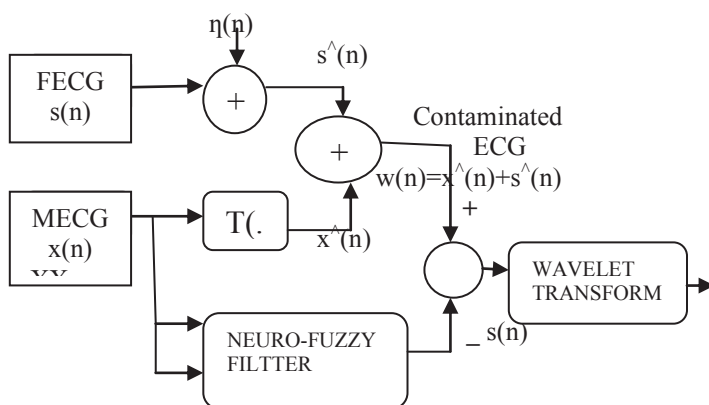


Fig. 1. The proposed system

The abdominal signal $w(n)$ is embedded with three signals: One is a deformed version of $x(n)$ as it travels from the chest to the abdomen, another is the fetal ECG and a third is additive noise from other sources. The abdominal signal, $w(n)$, can be expressed as the sum of a deformed version of the maternal ECG, $\hat{x}(n)$, and a noisy version of the fetal ECG, such that

$$w(n) = \hat{x}(n) + s(n) \quad (1)$$

$$\hat{x}(n) = T(x(n)) \quad (2)$$

$$s(n) = s(n) + \eta(n) \quad (3)$$

The deformation of the maternal ECG component is due to the fact that the signal is measured far away from its source (the mother's heart), and consequently it encounters some nonlinear transformation as it travels to the abdominal area. The thoracic signal $x(n)$ is predominantly maternal, and hence we assume that the fetal component in it is negligible.

In our propose method, we do so by an ANFIS network with multi-input and a single output. The input in this case would be the MEEG signal $x(n)$ and a finite number of its derivatives or delays along with the desired signal being the composite signal $w(n)$. The ANFIS network will find a nonlinear transformation that operates on $x(n)$ and aligns it with $w(n)$. The right ANFIS network should, therefore, output an estimate of the maternal component in $w(n)$. The fuzzy inference system (FIS) [3] is used to provide ANFIS with an initial set of membership functions for training. The ANFIS output is subtracted from the contaminated signal to obtain the fetus signal. The FECG is enhanced by using wavelet transform [5] to get the more clear FECG.

III. RESULTS

The ECG, which can be obtained from the pregnant women abdomen is generated by Matlab code. Which is shown in fig.2.

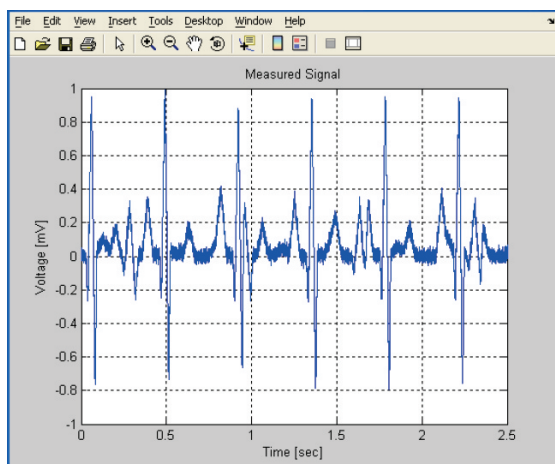


Fig. 2. The measured abdomen signal

The MEEG, which is shown in fig.3 is obtained from the thoracic of pregnant women. It is also generated by coding.

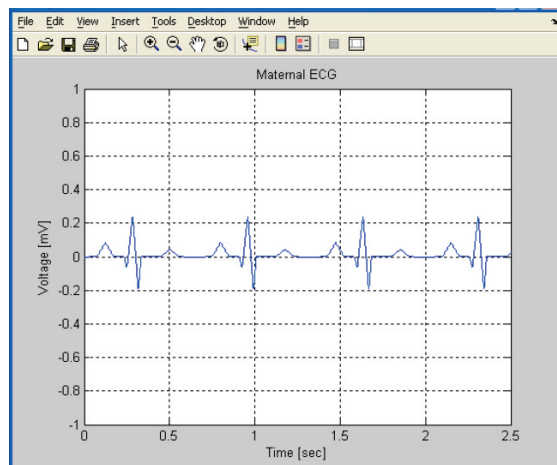


Fig. 3. The Maternal ECG

We can find the FECG as shown in fig.4 by using ANFIS and wavelet transform, which is far better than previous other methods in all aspects.

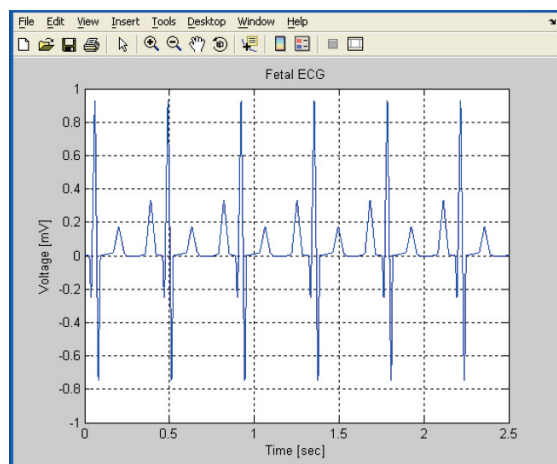


Fig. 4. The Fetal ECG

IV. REFERENCES

- 1.Khamene, A., and Negahdaripour, S. "A New Method for the Extraction of Fetal ECG from the Composite Abdominal Signal." IEEE Trans. Biomed. Engineering 47 (2000): 507–516.
2. Khaled Assaleh, "Extraction of fetal ECG using ANFIS", IEEE Trans. Biomedical Engineering, VOL.54,No.1, Jan 2007
- 3 . R.M. Clemente, J.L.C. Olivares, S.H. Mellado, Mar Elena and Isabel Roman (2011). "Fetal ECG Extraction from Maternal Abdominal ECG Using Neural Network" IEEE Transaction on Bio-Medical Engineering, Vol.58,No.2
4. R. Jang, "ANFIS: Adaptive-network-based fuzzy inference systems," IEEE Trans. Syst .Man,Cybern., vol.23,May 1993
5. C.W. Li, C.X.Zheng, C.F.Tai, Detection of ECG Characteristic Points Using Wavelet Transforms; IEEE Transaction on Biomedical Eng.,42.No.1:22-28, January 1995

The IISTE is a pioneer in the Open-Access hosting service and academic event management. The aim of the firm is Accelerating Global Knowledge Sharing.

More information about the firm can be found on the homepage:
<http://www.iiste.org>

CALL FOR JOURNAL PAPERS

There are more than 30 peer-reviewed academic journals hosted under the hosting platform.

Prospective authors of journals can find the submission instruction on the following page: <http://www.iiste.org/journals/> All the journals articles are available online to the readers all over the world without financial, legal, or technical barriers other than those inseparable from gaining access to the internet itself. Paper version of the journals is also available upon request of readers and authors.

MORE RESOURCES

Book publication information: <http://www.iiste.org/book/>

Recent conferences: <http://www.iiste.org/conference/>

IISTE Knowledge Sharing Partners

EBSCO, Index Copernicus, Ulrich's Periodicals Directory, JournalTOCS, PKP Open Archives Harvester, Bielefeld Academic Search Engine, Elektronische Zeitschriftenbibliothek EZB, Open J-Gate, OCLC WorldCat, Universe Digital Library, NewJour, Google Scholar

