



University of Kentucky  
UKnowledge

---

Agricultural Engineering Extension Updates

Biosystems and Agricultural Engineering

---

1996

# Vendors of Shade Cloth, Cooling Equipment and Geotextile Fabric

Larry W. Turner  
*University of Kentucky*

**Right click to open a feedback form in a new tab to let us know how this document benefits you.**

Follow this and additional works at: [https://uknowledge.uky.edu/aeu\\_reports](https://uknowledge.uky.edu/aeu_reports)



Part of the [Bioresource and Agricultural Engineering Commons](#)

---

## Repository Citation

Turner, Larry W., "Vendors of Shade Cloth, Cooling Equipment and Geotextile Fabric" (1996). *Agricultural Engineering Extension Updates*. 13.

[https://uknowledge.uky.edu/aeu\\_reports/13](https://uknowledge.uky.edu/aeu_reports/13)

This Report is brought to you for free and open access by the Biosystems and Agricultural Engineering at UKnowledge. It has been accepted for inclusion in Agricultural Engineering Extension Updates by an authorized administrator of UKnowledge. For more information, please contact [UKnowledge@lsv.uky.edu](mailto:UKnowledge@lsv.uky.edu).



## **VENDORS OF SHADE CLOTH, COOLING EQUIPMENT AND GEOTEXTILE FABRIC**

### **Shade Cloth Vendors**

Donovan Enterprises  
2951 SE Dominica Terrace  
Stuart FL 33497  
813-763-0392

DAL Processing Inc  
1114 North King Street  
Pearson GA 31642  
912-422-3118

Circle B Agriculture Products  
Gene Berbaum  
2540 Foothill Drive  
Vista CA 92084  
619-726-6947 or 800-776-6947  
FAX 619-726-4852

Kentucky Garden Supply  
731 Red Mile Rd.  
Lexington, KY  
606-254-1355  
Custom fabricated 80%

### **Fan Types and Vendors**

Can be purchased from many farm supply or poultry supply houses; some also have fog or sprinkling nozzles.

#### **Fan types:**

Direct Drive, most expensive, less maintenance

Belt Driven, least expensive, more maintenance

Either type will work, some fans are 2-3 times more expensive than others, so shop around.

Circulation fans: typical sizes, 36 and 48 inch; 10,000 to 20,000 cfm units.

Design for 200-400 cfm per cow; 800+ cfm per cow in holding area

#### **Fan vendors:**

Chore-Time  
PO Box 2000  
Milrod IA 46542-2000  
219-658-4101

Patterson Fan Co  
408 North Springs Road  
Columbia SC 29223  
803-699-0784

Berb Equipment Co  
2700 West Arnold Street  
PO Box 507  
Marshfield WI 54449  
715-384-2151

HLY Enterprises Inc  
Henry Younce  
PO Box 7051  
Winter Haven FL 33880  
813-324-3714 (complete systems)

Hartzall Fan Co  
PO Box 919  
Piqua OH 45356  
513-773-7411

Schaefer Fan Co Inc  
St Cloud Minn  
800-779-FANS (Sold by Life Services)  
800-342-5231

American Dairy Services  
308 Lebanon Hill  
Springfield, KY 40069  
606-336-7520; FAX 336-0892  
Contact: Steve Smith

Circle B Agriculture Products  
Gene Berbaum  
2540 Foothill Drive  
Vista CA 92084  
619-726-6947 or 800-776-6947  
FAX 619-726-4852

AAA Associates, Inc.  
1445 S. Third  
Niles, MI 49120  
616/684-4073

Butler Mfg. Co.  
7400 East 13th Street  
Kansas City, MO 64126  
816/968-3000

**Fan/tube systems:** 150-200 cfm/cow

Acme Eng. & Mfg. Corp.  
P.O. Box 978  
Muskogee, OK 74402  
918-682-7791

American Coolair Corporation  
Christenberry Sales Company  
6015 Crestview Avenue  
Indianapolis, IN 46220  
317-255-2710

Aerovent Fan & Equipment Inc  
929 Terminal Road  
Lansing MI 48906  
517-323-2390

Chore-Time Equipment Inc  
State Road 15 North  
Milford IN 46542  
217-658-4101

Raydot Inc  
145 Jackson Avenue  
Cakato MN 55321  
612-286-2103

American Coolair Corporation  
Christenberry Sales Company  
6015 Crestview Avenue  
Indianapolis, IN 46220  
317-255-2710

Clay Equipment Corporation  
500 River Drive  
Cedar Falls, IA 50613

Stockyard Farm & Dairy Supply, Inc.  
124 S. Johnson St.  
Louisville, KY 40206  
502-583-0204  
Attn: Gordon Jones

The Farm Store, Inc.  
4180 Caledonia Rd.  
Cadiz, KY 42211  
502-522-6732

## Vendors of Hardware/Equipment for Sprinkler and Fan Cooling Systems (Direct Wetting)

### Nozzles:

Choose nozzles to deliver large droplet size; solid cone or 180° spray pattern; 0.5-0.7 gpm at 10-25 psi.

Mr. Mike Ryan  
Ryans Agri and Pest  
537 Angliana Ave.  
Lexington, KY 40508  
606-233-0057

or

Other chemical spray  
systems dealers (See AEU-36)

B&R Spraying Systems  
2073 Lakeside Dr.  
Lexington, KY 40502  
606-269-1947

Irrigation Supply Co.  
926 Baxter Ave., Box 4545  
Louisville, KY 40204  
502-583-6591

Dixie Irrigation  
4045 McCollum Ct.  
Louisville, KY 40218  
502-633-5981

Kentucky Irrigation Co.  
629A E. Third St.  
Lexington, KY 40505  
606-254-7022

Senninger Irrigation, Inc (Mike Saliwanchik)  
6416 Old Winter Garden  
Orlando FL 32835  
407-293-5555

Modern Irrigation Systems, Inc.  
4511 Illinois Ave.  
Louisville, KY 40213  
502-459-3326

Also, Rainbird, Hunter, etc.

### Complete Sprinkler Cooling Systems (not including fans)

NOTE: These systems use relatively small nozzles as compared to the type used in Florida, but have both been shown to be effective in Kentucky.

Suppliers of complete units, except fans, (pipes, integrated solenoid valves and thermostats, connectors) include the following:

Edstrom Micro-cool Systems  
819 Bakke Avenue  
Waterford WI 53185  
800-558-5913  
414-534-5181  
contact: Bill Edstrom

Meter-Man Inc  
Box 746  
2 South Main St  
Winnebago MN 56098  
800-338-5756  
507-893-4806

FarmTek, Inc.  
RR2 Box 17  
Hoptkinton, IA  
800-327-6835  
(controller panel with solenoid, timer and thermostat)

## **Complete Sprinkler Cooling Systems (With fans; Florida design, high flow rate)**

Patterson Fan Company (PFC)  
408 N Springs Road  
Columbia, SC 29223  
Phone: 1-803-699-0784  
1-803-736-3341  
Contact: G.V. "Pat" Patterson

R&C Sales and Manuf. Inc  
Bob Atkins  
3555 Agriculture Center Drive  
St. Augustine FL 32093  
800-345-7930  
FAX 904-824-2332

## **High Pressure Fog System Vendors (160-200 psi)**

- can sell part or all of the system

Circle B Agriculture Products  
Attn: Gene Berbaum  
2540 Foothill Dr.  
Vista CA 92084  
619-726-6947  
1.5 hp. pump, high pressure. approx. \$750

Korral Kool Inc.  
564 East Juanita Unit 6  
Mesa AZ 85204  
602-892-6401  
FAX 602-892-8124

R&C Sales and Manuf. Inc  
Bob Atkins  
3555 Agriculture Center Drive  
St. Augustine FL 32093  
800-345-7930  
FAX 904-824-2332

Dairy Cool Inc.  
3555 Agricultural Center Drive  
St. Augustine, FL 32092  
1-800-345-7930 or 904-824-2223  
FAX 904-824-2332

## **Pump Vendors for High Pressure Misting/Fog Systems (160-200 psi)**

Chase Pump and Equipment Co.  
Henderson, KY  
Contact: Howard Chase  
502-826-8713  
4-5 gpm, 280 ft. of head  
40 psi inlet, 160-200 psi outlet  
MTH peripheral turbine pump  
5 gpm; 3/4 hp single phase, 230 V. Motor  
\$415, 2 week delivery

Fluid Systems Inc.  
Attn: Scott Deutsch  
Evansville, IN 812-428-7060  
2 hp, 3450 rpm single phase elec. motor, 3  
gpm  
@ up to 1200 psi (high pressure wash pump)

Circle B Agriculture Products  
Attn: Gene Berbaum  
2540 Foothill Dr.  
Vista CA 92084  
619-726-6947  
1.5 hp. pump, high pressure. approx. \$750

FarmTek, Inc.  
RR2 Box 17  
Hoptkinton, IA  
800-327-6835  
3/4 hp, single phase elec. motor booster pump

## **Geotextile Underlayment Material**

Am Con Construction Products  
Box 1516  
Somerset, KY 42502  
800-866-0369

C&P Supply  
P.O. Box 376  
Allen, KY 41601  
606-874-8052  
FAX 606-874-2310  
(distributor for Am Con)

American Excelsior Co.  
415 W. Seymour Ave.  
Cincinnati, OH 45216  
513-761-7384  
800-325-2135

Carthage Mills  
4243 Hunt Road  
Cincinnati, OH  
513-794-1600  
FAX 513-794-3434  
800-543-4430

Cow Carpet  
303-305 W Green Road  
P.O. Box 1756  
High Point NC 27260  
910-883-6624

Kent Doke  
K D Farms Inc  
Route 1 Box 34  
Alachua FL 32615  
904-462-1466

Reemay, Inc. (Tygar)  
70 Old Hickory Blvd Box 511  
Old Hickory TN 37138  
800-321-6271

TR Polymats Inc  
2263 Hoxie Road  
Mannsville NY 23661  
800-633-3661

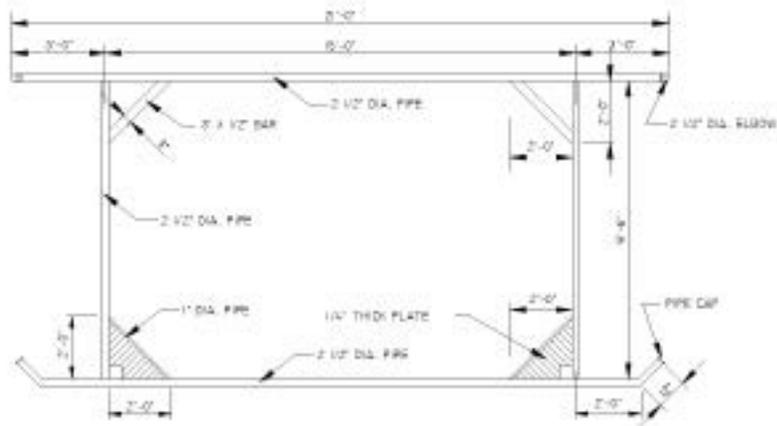
Tensar Polytechnologies Inc  
1210 Citizens Pkwy  
Morrow GA 30260  
800-292-4457

---

The above partial list of manufacturers and suppliers is furnished for your information, with the understanding that no discrimination is intended and no gurarentee of reliability implied.

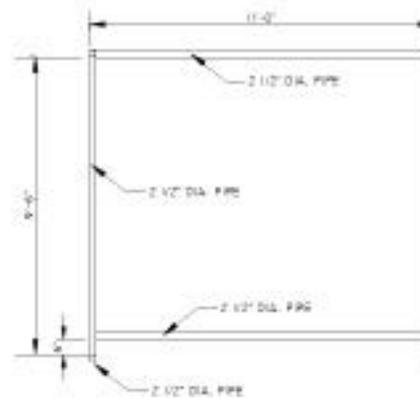
Compiled by Dr. Larry W. Turner, Extension Ag. Engineer, Rm. 128 Agricultural Engineering Building,  
University of Kentucky, Lexington, KY 40546-0276. 5/96

file: dairy\coolsrc.wpd



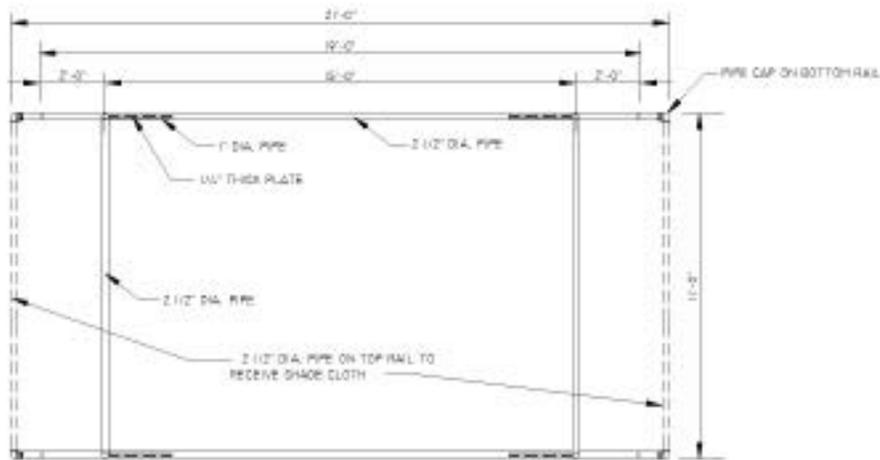
**SIDE VIEW**

SCALE: 3/8"=1'-0"



**FRONT VIEW**

SCALE: 3/8"=1'-0"



**PLAN VIEW**

SCALE: 3/8"=1'-0"



**PERSPECTIVE VIEW**

**NOTES:**

1. VERTICAL & LOWER HORIZONTAL 2 1/2" PIPE ENDS PLATED
2. 1/4" PLATE TO PREVENT CORN LEGS FROM SETTING CAUGHT UNDER PIPE PLUS MORE STABILITY
3. OVERALL ROOF LENGTH MAY VARY ACCORDING TO WIND POSITIONING
4. PIPE ELBOWS & END CAPS ARE SERVED ON
5. ATTACH 10' x 20' 80% SHADE CLOTH TO FRAME, WRAPPING ATTACHMENT CORN IN SPIRAL PATTERN

COOPERATIVE EXTENSION SERVICE  
 AGRICULTURE AND HOME ECONOMICS  
 DEPARTMENT OF AGRICULTURAL ENGINEERING  
 COLLEGE OF AGRICULTURE  
 UNIVERSITY OF KENTUCKY  
 AND  
 U.S. DEPARTMENT OF AGRICULTURE COOPERATING

**CATTLE SHADE**

Design by: J.T.

PLAN NO. KY. 8,772-16

Checked by: J.F.

Drawn by: J.E.M.

Date: 3/27/56

**SHEET 1 OF 1**

Shade for Grazing Cattle  
Pipe Structure Materials List

by  
Terry Hutchens

Black Pipe Option*			
Quantity	Item	Estimated Cost	
		\$ Unit	\$ Total
6	2.5", 21' black pipe	55	330
4	2.5", weld-in elbow	5	20
4	2.5", weld-in 45 joint	5	20
4	2.5", weld-in pipe cap	5	20
4	1.0", pipe with .25" plate	7	28
	<b>TOTAL</b>		<b>418</b>
*Black pipe requires painting for rust prevention.			
Sources: Harbor Steel & Supply Corporation 1115 Delaware Avenue Lexington, KY 40505 Phone: (606) 255-7884 (800) 766-4113			
Brock McVey Company 1100 Brock McVey Drive Lexington, KY 40509 Phone: (606) 255-1412			
Galvanized Option			
Quantity	Item	\$ Unit	\$ Total
6	2" x 4' SS20 pipe	7	56
6	2.5" x 10.6' SS40 pipe	21	126
2	2.5" x 21' SS40 pipe	42	84
3	2.0" x 21' SS40 pipe	30	90
1	Shade cloth 63% 10' x 20'	49	49
1	"Drop off charge	50	50
	<b>SUB-TOTAL</b>		<b>455</b>
	<b>TAX</b>		<b>28</b>
	<b>TOTAL</b>		<b>483</b>
1	Prefabricated <b>TOTAL</b>		<b>649</b>
Source: Stephens Pipe & Steel Inc. P.O. Box 818/ HWY 619 Russell Springs, KY 42642 Phone: (502) 866-3331 (800) 451-2612			
The partial list of manufacturers and dealers is furnished for your information, with the understanding that no discrimination is intended and no guarantee of reliability implied.			