



Missouri University of Science and Technology
Scholars' Mine

AISI-Specifications for the Design of Cold-Formed Steel Structural Members

Wei-Wen Yu Center for Cold-Formed Steel Structures

01 May 2014

Base Test Method for Purlins Supporting a Standing Seam Roof System, 2013 Edition

American Iron and Steel Institute

Follow this and additional works at: <https://scholarsmine.mst.edu/ccfss-aisi-spec>

 Part of the [Structural Engineering Commons](#)

Recommended Citation

American Iron and Steel Institute, "Base Test Method for Purlins Supporting a Standing Seam Roof System, 2013 Edition" (2014). *AISI-Specifications for the Design of Cold-Formed Steel Structural Members*. 182.

<https://scholarsmine.mst.edu/ccfss-aisi-spec/182>

This Technical Report is brought to you for free and open access by Scholars' Mine. It has been accepted for inclusion in AISI-Specifications for the Design of Cold-Formed Steel Structural Members by an authorized administrator of Scholars' Mine. This work is protected by U. S. Copyright Law. Unauthorized use including reproduction for redistribution requires the permission of the copyright holder. For more information, please contact scholarsmine@mst.edu.



AISI S908-13



AISI STANDARD

Base Test Method for Purlins Supporting a Standing Seam Roof System

2013 Edition

Approved by
the AISI Committee on Specifications for the Design of
Cold-Formed Steel Structural Members

The material contained herein has been developed by the American Iron and Steel Institute (AISI) Committee on Specifications for the Design of Cold-Formed Steel Structural Members. The organization and the Committee have made a diligent effort to present accurate, reliable, and useful information on testing of cold-formed steel members, components or structures. The Committee acknowledges and is grateful for the contributions of the numerous researchers, engineers, and others who have contributed to the body of knowledge on the subject. With anticipated improvements in understanding of the behavior of cold-formed steel and the continuing development of new technology, this material will become dated. It is anticipated that future editions of this test procedure will update this material as new information becomes available, but this cannot be guaranteed.

The materials set forth herein are for general information only. They are not a substitute for competent professional advice. Application of this information to a specific project should be reviewed by a registered professional engineer. Indeed, in most jurisdictions, such review is required by law. Anyone making use of the information set forth herein does so at their own risk and assumes any and all resulting liability arising therefrom.

1st Printing – May 2014

Produced by American Iron and Steel Institute

Copyright American Iron and Steel Institute 2014

PREFACE

The American Iron and Steel Institute Committee on Specifications developed this standard to obtain the reduction factor for use in determining the nominal flexural strength of a purlin supporting a standing seam roof system.

The Committee acknowledges and is grateful for the contribution of the numerous engineers, researchers, producers and others who have contributed to the body of knowledge on this subject.

Commentary is non-mandatory and copyrightable portion of this standard.

This page is intentionally left blank.

AISI S908-13

Base Test Method for Purlins Supporting a Standing Seam Roof System

1. Scope

1.1 The purpose of this test method is to obtain the reduction factor for use in determining the nominal flexural strength of a purlin supporting a standing seam roof system.

1.2 This test method, herein also referred as “Base Test Method,” applies to an assembly consisting of the standing seam panel, purlin, and attachment devices used in the system being tested. The test specimen boundary conditions, described in Section 7.6, apply only to standing seam roof systems for which the roof deck is positively anchored to the supporting structural system at one or more purlin or eave member lines.

1.3 The Base Test Method is used to evaluate the nominal flexural strength of C- and Z-sections of multi-span, multiple purlin line, standing seam systems, with or without discrete intermediate braces.

1.4 The Base Test Method is applicable to both “rib” or “pan” type standing seam roof panels with “sliding” or “fixed” type clips.

1.5 The Base Test Method is conducted using standing seam roof panels, clips, fasteners, insulation, thermal blocks, discrete braces, and purlins as used in the actual standing seam roof system except as noted in Section 1.6.

1.6 Tests conducted with insulation are applicable to identical systems with thinner or no insulation.

2. Referenced Documents

The following documents or portions thereof are referenced within this Standard and shall be considered as part of the requirements of this document:

a. American Iron and Steel Institute (AISI), Washington, DC:

S100-12, *North American Specification for the Design of Cold-Formed Steel Structural Members*

b. ASTM International (ASTM), West Conshohocken, PA:

A370-12a, *Standard Test Methods and Definitions for Mechanical Testing of Steel Products*

E6-09be1, *Standard Terminology Relating to Methods of Mechanical Testing*

IEEE/ASTM-SI10-10, *American National Standard for Metric Practice*

3. Terminology

Where the following terms appear in this Standard, they shall have the meaning as defined herein. Terms not defined in Section 3 of this standard, AISI S100, ASTM E6, or IEEE/ASTM-SI10 shall have the ordinary accepted meaning for the context for which they are intended.

Failure. A stage at which the specimen will accept no further loading.

Fixed Clip. A hold-down clip which does not allow the roof panel to move independently of the roof substructure.

Insulation. Glass fiber blanket or rigid board.

Lateral. A direction normal to the span of the purlins in the plane of the roof sheets.

Thermal Block. Strips of rigid insulation located directly over the purlin between clips.

Negative Moment. A moment which causes tension in the purlin flange attached to the clips and standing seam panels.

Pan-Type Standing Seam Roof. A U-shaped panel which has vertical sides.

Positive Moment. A moment which causes compression in the purlin flange attached to the clips and standing seam panels.

Rib-Type Standing Seam Roof. A panel that has ribs with sloping sides and forms a trapezoidal-shaped void at the sidelap.

Sliding Clip. A hold-down clip which allows the roof panel to move independently of the roof substructure.

Standing Seam Roof System. A roof system in which the sidelaps between the roof panels are arranged in a vertical position above the roof line. The roof panel system is secured to the purlins by means of concealed hold-down clips that are attached to the purlins with mechanical fasteners.

Yield Stress. Generic term to denote either yield point or yield strength, as appropriate for the material.

4. Symbols:

b = Flange width of the purlin

d = Depth of the purlin

B = Purlin spacing

F_y = Design yield stress

F_{yt} = Measured yield stress of tested purlin

I_x = Moment of inertia of full unreduced section about x-axis

I_{xy} = Product of inertia of flange about major axis

L = Span of the purlins tested, center to center of the supports

M_n = Nominal flexural strength of a fully constrained beam, $S_e F_y$

$\bar{M}_{nt_{min}}$ = Average flexural strength of the thinnest sections tested

$\bar{M}_{nt_{max}}$ = Average flexural strength of the thickest sections tested

M_{nt} = Flexural strength of a tested purlin, $S_e F_{yt}$

M_{ts} = Failure moment for the single span purlins tested, $w_{ts} L^2 / 8$

p_d = Weight of the specimen (force/area)

p_{ts} = Failure load (force/area) of the single span system tested

P_L = Lateral anchorage force in accordance with Section D6.3.1 of AISI S100

R_t = Modification factor from test, M_{ts} / M_{nt}

R = Reduction factor computed for nominal purlin properties

R_{tmin} = Mean minus one standard deviation of the modification factors of the three

	thinnest purlins tested
$R_{t_{\max}}$	= Mean minus one standard deviation of the modification factors of the three thickest purlins tested
s	= Tributary width of the purlins tested
S_e	= Section modulus of the effective section
S_{et}	= Section modulus of the effective section of the tested member using measured dimensions and the measured yield stress
t	= Purlin thickness
w_{ts}	= Failure load (force/length) of the single span purlins tested

5. Units of Symbols and Terms

Any compatible system of measurement units is permitted to be used in this Standard, except where explicitly stated otherwise. The unit systems considered in this Standard shall include U.S. customary units (force in kips and length in inches) and SI units (force in Newtons and length in millimeters) in accordance with IEEE/ASTM-SI10.

6. Apparatus

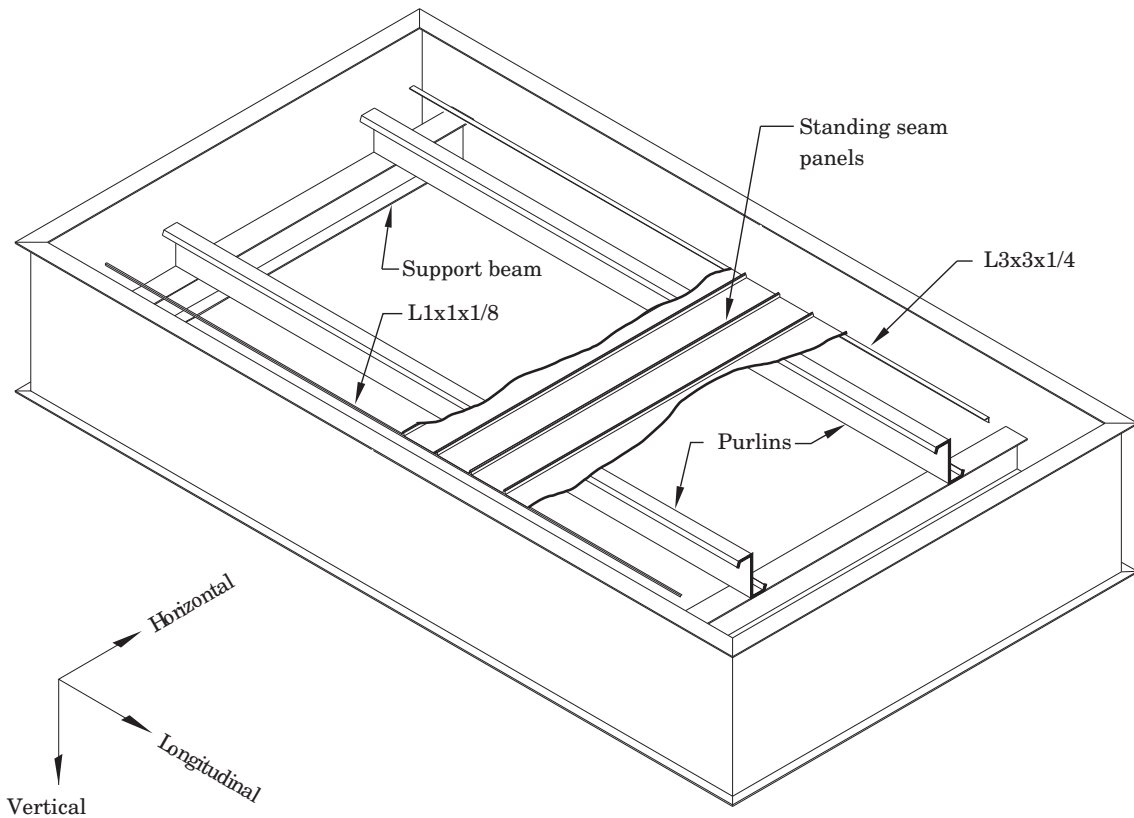
6.1 The testing apparatus shall consist of a test chamber capable of supporting a positive or negative internal pressure differential. A rectangular frame shall be constructed of any material with the strength and rigidity to provide the desired pressure differential without collapse. See Figure 1 for a typical test chamber. Other chamber orientations are permitted.

6.2 The length of the chamber shall be determined by the maximum length of the purlins as required by Section 8.2. The width of the chamber shall be determined by the maximum panel length as required by Section 7.9. Allowance shall be made in the interior chamber dimensions to accommodate structural supports for the purlins and sufficient clearance on all sides to prevent interference of the chamber wall with the test specimen as it deflects.

6.3 The height of the chamber shall permit assembly of the specimen and ensure adequate clearance at the maximum deflection of the specimen.

6.4 The chamber shall be sealed in a manner to prevent air leakage. All load-carrying elements of the specimen or its supports shall transfer the load to the frame support. The specimen, including intermediate brace, shall not be attached to the chamber in any manner that would impede the deflection of the specimen.

6.5 The test chamber shall be sealed against air leakage by applying 6 mil (0.15 mm) maximum thickness polyethylene sheets, large enough to accommodate the system configuration and deflections. The polyethylene shall be located on the high-pressure side of the panel with sufficient folds so as not to inhibit the spread of panel ribs under load. Edges of the polyethylene sheets shall be sealed against air leakage with tape or other suitable methods. Polyethylene sheets around the perimeter of the specimen shall be draped so as not to impede deflection or deformation of the specimen.



Deflection directions

Figure 1 – Test Chamber

6.6 When a specimen smaller than the test chamber is tested, other panels and structures shall be installed to complete the coverage of the chamber opening. No attachment shall be made between the test specimen and this supplemental coverage.

6.7 An air pump shall be used to create the pressure differential in the chamber. The pump shall be of enough capacity to reach the required test values by the applicable specifications.

6.8 The type of air pump being used shall determine the method of control. This control shall be able to regulate the pressure differential in the chamber to ± 1 psf (0.05 kPa). This shall be accomplished by: (a) a variable speed motor on the pump, (b) valving on the pump, or (c) variable-size orifices on the chamber. It is permitted to use multiple pumps where very large chambers are being used. One pump connection to the chamber shall be satisfactory.

6.9 A minimum of two pressure differential measuring devices shall be monitored throughout the duration of the test. These devices shall be capable of measuring the pressure differential to ± 1 psf (0.05 kPa).

7. Test Specimens

7.1 Test purlins shall be supported at each end by a steel beam. The beams shall be simply supported, and one of the frame end beams shall be free to translate laterally to relieve any longitudinal catenary forces in the specimen. Purlins shall be connected to the supporting beams as recommended in the field erection drawings. Figure 1 shows the directional axes that are referred to in this test procedure.

7.2 Panel-supporting clips, fasteners, and panels shall be installed as recommended in the field erection drawings.

7.3 Means of providing restraint of purlins at the support shall be as required for use in actual field application, and shall be installed as recommended on the field erection drawings.

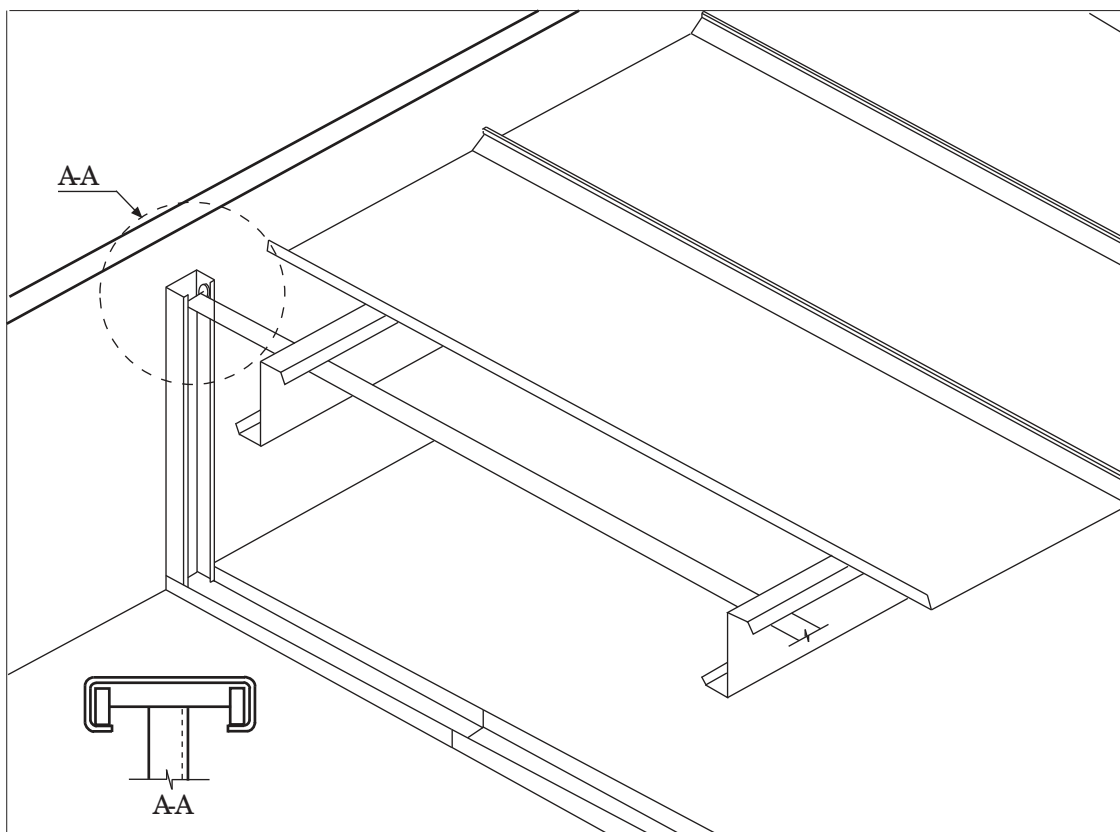


Figure 2 - Example of Lateral Restraint Test Device

7.4 The purlins shall be arranged either with their flanges facing in the same direction or with their flanges opposed. If the test is performed with the purlin flanges opposed, they shall be field-installed with their flanges opposed.

7.5 For tests including intermediate discrete point braces, the braces used in the test shall be installed in such a manner so as not to impede the vertical deflection of the specimen.

User Note:

Figure 2 shows one means of satisfying this requirement.

7.6 A 1 in. x 1 in. (25 mm x 25 mm) continuous angle with a maximum thickness of 1/8 in. (3 mm) or a member of compatible stiffness shall be attached to the underside at each end of the panels to prevent separation of the panels at the ends of the seam. Fasteners shall be placed on both sides of each major rib. If the specimen is arranged with the purlin flanges facing in the same direction, a 3 in. x 3 in. (76 mm x 76 mm) continuous angle with a maximum thickness of 1/4 in. (6 mm) or a member of compatible stiffness is permitted to be substituted for the 1 in. x 1 in. (25 mm x 25 mm) angle at the end of the panel, corresponding to the eave of the building using the standard panel to eave fastening system (See Figure 1).

7.7 All transverse panel ends shall be left free to displace vertically under load. When the 3 in. x 3 in. (76 mm x 76 mm) eave angle is used and the purlin flanges face in the same direction, the eave angle is permitted to be restrained against horizontal deflection at its ends as shown in Figure 1, providing vertical deflection is left unrestrained.

7.8 Panel joints shall not be taped, and no tape shall be used to restrict panel movement.

7.9 Panel length to be used in the test shall be, as a minimum, that length which provides full engagement of the panel to purlin clip and attachment of the 1 in. x 1 in. (25 mm x 25 mm) angle at the panel ends; but a length not greater than that required to achieve zero slope of the panel at the purlin support.

7.10 The spacing of purlins being tested shall not exceed the spacing practically used with the roof system. Results from this test are permitted to be used in designing purlins of the same profile that are spaced closer together than the spacing used in the tests.

8. Test Procedure

8.1 A test series shall be conducted for each purlin profile, specified steel grade, and each panel system. Any variation in the characteristics or dimensions of panel or clip shall constitute a change in panel system. The thickness of insulation used in the test shall be applicable to identical systems with thinner or no insulation. Any change in purlin shape or dimension other than thickness shall constitute a change in profile. However, the lip dimension is permitted to vary with section thickness consistent with the member design and not constitute a change in profile.

8.2 No fewer than six tests shall be run for each combination of purlin profile and panel system. Three tests shall be conducted with the thinnest purlin of the profile, and three tests shall be conducted with the thickest purlin of the profile. All tests shall be conducted using the same purlin span which is the same or greater than the span used in actual field conditions.

8.3 If an inventory consists of different clip types, a specific purlin depth and profile but with different flange widths, and identical panel profiles except for thickness, a rational procedure is permitted to be used to reduce the number of required tests.

8.4 The physical and material properties shall be determined in accordance with ASTM A370 using coupons taken from the web area of the failed purlin. Coupons shall not be taken from areas where cold-working stresses could affect the results.

8.5 For gravity loading, a pressure differential load shall be applied to the system to produce a positive moment in the system. For uplift loading, a pressure differential load shall be applied to the system to produce a negative moment in the system.

8.6 An initial load equal to 5 psf (0.25 kPa) differential pressure in the direction of the test load shall be applied and removed to set the zero readings before actual system loading begins.

8.7 The system shall be loaded to failure and the mode of failure noted. The pressure differential at which the system fails shall be recorded as the failure load of the specimen. When the test must be stopped due to a flexural failure of the panel or web crippling of the purlin, it is permitted to exclude the test from the test program.

8.8 Vertical deflection measurements shall be taken at the mid-span of both purlins. The deck deflection in the horizontal direction shall be measured at the seam joint nearest the center of the test specimen.

8.9 Deflections and pressures shall be recorded at pressure intervals equal to a maximum of 20 percent of the anticipated failure load.

9. Test Evaluation

9.1 The single span failure load shall be obtained from the Base Test where a uniform load is applied until failure occurs. The computation of the failure load, w_{ts} , shall be dependent on the purlin orientation for Z-purlins and on the nature of the load as follows:

1. For Z-purlins tested for gravity loading, with flanges facing the same direction and with the top flanges of the purlins not restrained by anchorage to a point external to the panel/purlin system, the failure load shall be calculated as follows:

$$w_{ts} = (p_{ts} + p_d)s + 2P_L \left(\frac{d}{B} \right) \tag{1}$$

where

$$P_L = 0.5 \left(\frac{C2}{1000} \frac{I_{xy}L}{I_x d} + C3 \frac{0.25bt}{d^2} \right) (p_{ts} + p_d)s \tag{2}$$

	C2	C3
Standing Seam	8.3	28

2. For Z-purlins tested for gravity loading with flanges opposed and for C-sections tested for gravity loading, the failure load shall be determined as follows:

$$w_{ts} = (p_{ts} + p_d)s \tag{3}$$

3. For Z-purlins or C-sections tested for uplift loading, the failure load shall be determined as follows:

$$w_{ts} = (p_{ts} - p_d)s \tag{4}$$

The expression $2P_L(d/B)$ in Equation (1) takes into account the effect of the overturning moment on the system due to the anchorage forces, as defined in Section D6.3.1 of AISI S100, applied at the top flange of the purlin by the panel and resisted at the bottom flange of the purlin at the support. The expression $2P_L(d/B)$ shall be applied only to Z-sections under gravity loading when the purlin flanges are facing in the same direction, but shall not be included in those systems where discrete point braces are used when the braces are restrained from lateral movement. The expression $2P_L(d/B)$ shall not be applied unless the downhill purlin is the first to fail.

9.2 From the single span failure load, w_{ts} , the maximum single span failure moment, M_{ts} , shall be calculated as follows:

$$M_{ts} = w_{ts} L^2 / 8 \quad (5)$$

9.3 The single span Base Test moment shall be the maximum moment that the system can resist with the purlin size used in the test. The maximum allowable moment of a roof system purlin, simple span or continuous, shall be limited by the results of this test. The gravity load results shall apply for positive moment regions in the span and uplift load results shall apply for negative moment regions in the span.

9.4 Using Section C3.1.1(a) of AISI S100, the flexural strength of each tested purlin, M_{nt} , of a fully constrained beam shall be calculated as follows:

$$M_{nt} = S_{et} \times F_{yt} \quad (6)$$

where S_{et} is the section modulus of the effective section calculated using the measured cross-sectional dimensions and measured yield stress and F_{yt} is the measured yield stress obtained in accordance with Section 9.4.

9.5 The modification factor, R_t , shall be calculated for each purlin tested as:

$$R_t = M_{ts} / M_{nt} \quad (7)$$

9.6 For purlins of the same profile, specified steel grade, and panel system as tested, the reduction factor shall be calculated as follows:

$$R = \left(\frac{R_{tmax} - R_{tmin}}{\bar{M}_{ntmax} - \bar{M}_{ntmin}} \right) (M_n - \bar{M}_{ntmin}) + R_{tmin} \leq 1.0 \quad (8)$$

where

R_{tmin} = Mean minus one standard deviation of the modification factors of the three thinnest purlins tested, calculated in accordance with Section 9.5. This value may be greater than 1.0

R_{tmax} = Mean minus one standard deviation of the modification factors of the three thickest purlins tested, calculated in accordance with Section 9.5. This value may be greater than 1.0

M_n = Nominal flexural strength of section for which R is being evaluated ($S_e F_y$)

\bar{M}_{ntmin} = Average flexural strength of the thinnest section tested, calculated in accordance with Section 9.4

\bar{M}_{ntmax} = Average flexural strength of the thickest section tested, calculated in accordance with Section 9.4

9.7 If the test is performed with the purlins opposed or with an eave member at one or more edges, the diaphragm strength and stiffness of the panel system shall be tested unless the purlins are also opposed in actual field usage. The anchorage forces for the system braced in the manner tested shall be calculated in accordance with Section D6.3.1 of AISI S100. The diaphragm strength of the panel system shall be equal to or greater than the calculated brace force at the failure load of the purlin. The stiffness of the diaphragm shall

be such that the deflection of the diaphragm is equal to or less than the purlin span divided by 360 when subjected to the calculated brace force at the failure load of the purlin.

10. Test Report

10.1 Documentation - The report shall include the name of the individual who performed the test and a brief description of the system being tested.

10.2 The documentation shall include test details with a drawing showing the test fixture and indicating the components and their locations. A written description of the test setup detailing the basic concept, loadings, measurements, and assembly shall be included.

10.3 The report shall include a drawing showing the actual geometry of all specimens including material specifications and test results defining the actual material properties - material thickness, yield stress, tensile strength, and percent elongation.

10.4 The report shall include the test designation, loading increments, displacements, mode of failure, failure load, and specimen included for each test.

10.5 The report shall include a description summarizing the test program results that includes specimen type, span, failure moments for the test series, and the supporting calculations.

This page is intentionally left blank.

AISI S908-13-C

Commentary on Base Test Method for Purlins Supporting a Standing Seam Roof System

This test method provides the requirements for evaluating the resisting moment for cold-formed C- and Z-sections used with standing seam roof systems. The resisting moment is the multiplication of a reduction factor and the moment resistance of the corresponding member under the fully braced condition. The reduction factor reflects the ability of a particular standing seam roof system to provide lateral and rotational support to the purlins to which it is attached. This applies to discrete lateral and torsional bracing when the sheeted flange of the purlin is the compression flange, as in gravity loading cases, and when the unsheeted flange is the compression flange, as in wind uplift cases.

Due to the many different types and construction of standing seam roof systems and their attachments, it is not practical to develop a generic method to predict the interaction of a particular standing seam roof system and supporting structure. Therefore, the amount of resisting moment which the supporting purlins can achieve can vary from the fully braced condition to the unbraced condition for a given system.

The test method, herein referred to as the “Base Test Method,” is the result of extensive testing of various combinations of purlins, standing seam panels, and fastening devices. The tests were conducted over several years, benefiting from the experience provided by technical and industry experts. This procedure utilizes the results obtained from single span tests to predict the strength of multi-span conditions. The validity of this test method has been established by a research program at Virginia Polytechnic Institute and State University and documented in References (Brooks and Murray, 1990a and 1990b; Rayburn and Murray, 1990; Anderson and Murray, 1991; Pugh and Murray, 1991; and Murray, 1997).

In Standard Section 8.3, a rational procedure is permitted to be used to reduce the number of required tests. Such a rational procedure has been provided in Reference (Murray, 1997).

Due to anchorage design revisions in the 2007 edition of AISI S100 (AISI, 2007), Equation (2) in S908 was revised accordingly. Equation (2) is the simply supported case of *Specification* Equation D6.3.1-2 with $\theta = 0$.

References

American Iron and Steel Institute (2007), North American Specification for the Design of Cold-Formed Steel Structural Members, 2007.

AISI Task Committee on Base Test and Anchorage Questions, “Frequently Asked Questions Concerning the AISI Base Test Method and the Uses of the AISI Anchorage Equations,” CCFSS Technical Bulletin, Vol. 12, No. 1, University of Missouri – Rolla, Rolla, Missouri, 2003.

Brooks, S. and T. Murray (1990a), “Evaluation of the Base Test Method for Predicting the Flexural Strength of Standing Seam Roof Systems Under Gravity Loading,” MBMA Project 403, VPI Report No. CE/VPI-ST89/07, Metal Building Manufacturers Association, 1300 Sumner Ave., Cleveland, Ohio 44115, July 1989, Revised November 1990.

Brooks, S. and T.M. Murray (1990b), "A Method for Determining the Strength of Z- and C-Purlin Supported Standing Seam Roof Systems, Recent Research and Developments in Cold-Formed Steel Design and Construction," *Proceedings of the Tenth International Specialty Conference on Cold-Formed Steel Structures*, St. Louis, MO, October 23-24, 1990, pp. 421-440.

Rayburn, L. and T.M. Murray (1990), "Base Test Method for Gravity Loaded Standing Seam Roof Systems," MBMA Project 502, VPI Report No. CE/VPI-ST90/07, Metal Building Manufacturers Association, 1300 Sumner Ave., Cleveland, Ohio, 44115, December 1990.

Anderson, B. and T.M. Murray (1991), "Base Test Method for Standing Seam Roof Systems Subject to Uplift Loading—Phase I," MBMA Project 501, VPI Report No. CE/VPI-ST90/06, Metal Building Manufacturers Association, 1300 Sumner Ave., Cleveland, Ohio 44115, December 1990, Revised December 1991.

Pugh, A. and T.M. Murray (1991), "Base Test Method for Standing Seam Roof Systems Subject to Uplift Loading—Phase II," MBMA Project 602, VPI Report No. CE/VPI-ST91/17, Metal Building Manufacturers Association, 1300 Sumner Ave., Cleveland, Ohio 44115, December 1991.

Murray, T.M. (1997), "Base Test Method for Uplift Loading—Final Report," MBMA Projects 501, 602 and 702, VPI Report No. CE/VPI-ST-97/10, Metal Building Manufacturers Association, 1300 Sumner Ave., Cleveland, Ohio 44115, November 1997.

Trout, A.M. and T.M. Murray (2000), "Reduced Number of Base Tests," Research Report CE/VPI-ST00/17 submitted to Metal Building Manufacturers Association, 1300 Sumner Ave., Cleveland, Ohio, 44115, December 2000.



25 Massachusetts Avenue NW
Suite 800
Washington, DC 20001
www.steel.org

