

01 Jan 2011

Hierarchical Mission Management

Emad William Saad

John Lyle Vian

Ryan J. Meuth

Donald C. Wunsch

Missouri University of Science and Technology, dwunsch@mst.edu

Follow this and additional works at: https://scholarsmine.mst.edu/ele_comeng_facwork



Part of the [Electrical and Computer Engineering Commons](#)

Recommended Citation

E. W. Saad et al., "Hierarchical Mission Management," *U.S. Patents*, Jan 2011.

This Patent is brought to you for free and open access by Scholars' Mine. It has been accepted for inclusion in Electrical and Computer Engineering Faculty Research & Creative Works by an authorized administrator of Scholars' Mine. This work is protected by U. S. Copyright Law. Unauthorized use including reproduction for redistribution requires the permission of the copyright holder. For more information, please contact scholarsmine@mst.edu.



(19) **United States**

(12) **Patent Application Publication**
Saad et al.

(10) **Pub. No.: US 2011/0082717 A1**

(43) **Pub. Date: Apr. 7, 2011**

(54) **HIERARCHICAL MISSION MANAGEMENT**

Publication Classification

(75) Inventors: **Emad William Saad**, Renton, WA (US); **John Lyle Vian**, Renton, WA (US); **Ryan James Meuth**, Phoenix, AZ (US); **Donald C. Wunsch, II**, Rolla, MO (US)

(51) **Int. Cl.**
G06Q 10/00 (2006.01)

(52) **U.S. Cl.** **705/7.13; 705/7.26; 705/348**

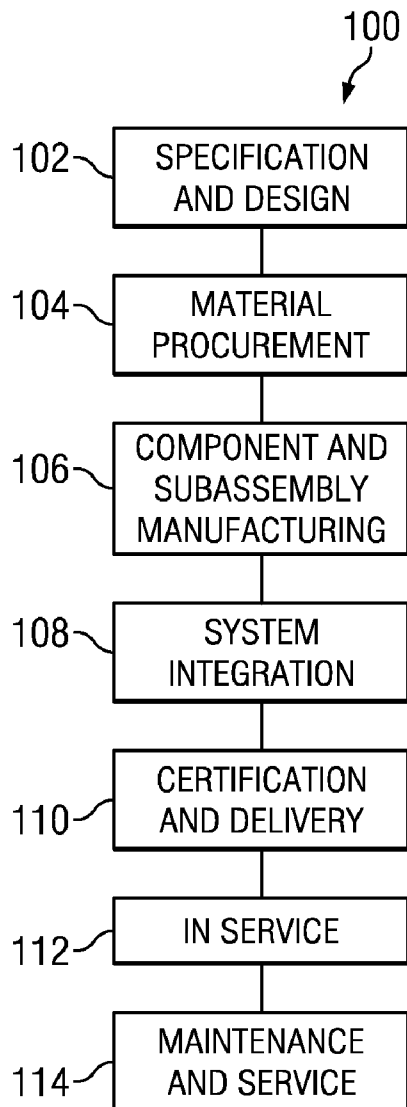
(73) Assignee: **THE BOEING COMPANY**, Chicago, IL (US)

(57) **ABSTRACT**

(21) Appl. No.: **12/573,392**

The different advantageous embodiments further provide a system for hierarchical mission management comprising a number of mission planners, a data processing system, and a communication system. The number of mission planners are associated with a number of agent groups. The data processing system is configured to execute the number of mission planners. The communication system is configured to provide communication between the number of mission planners.

(22) Filed: **Oct. 5, 2009**



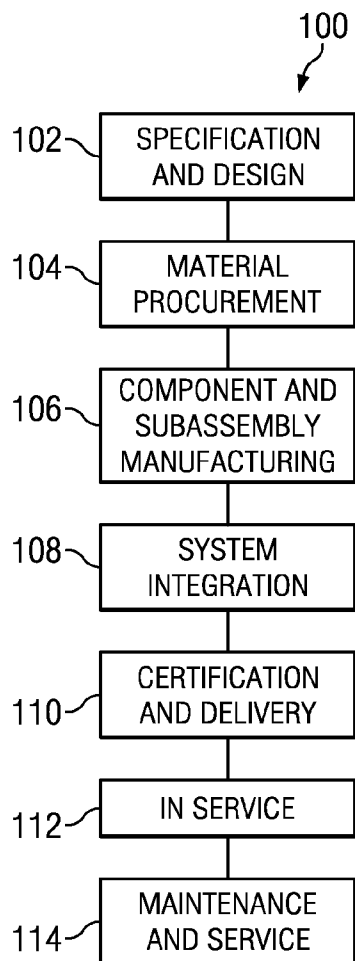


FIG. 1

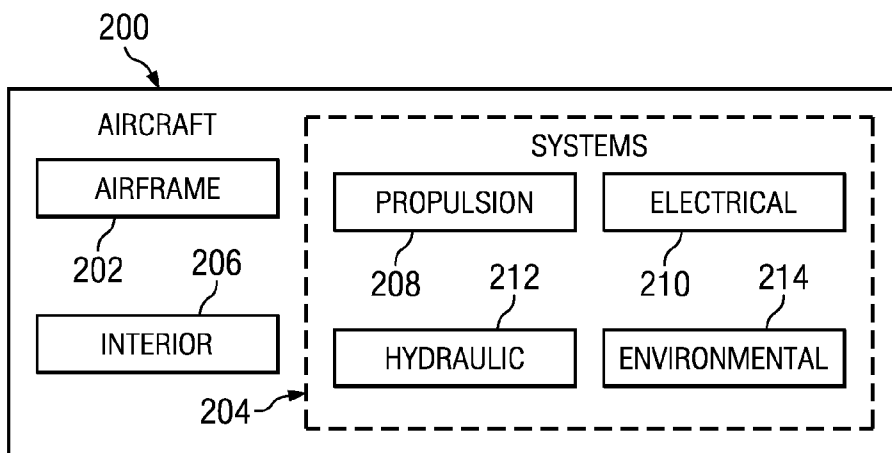


FIG. 2

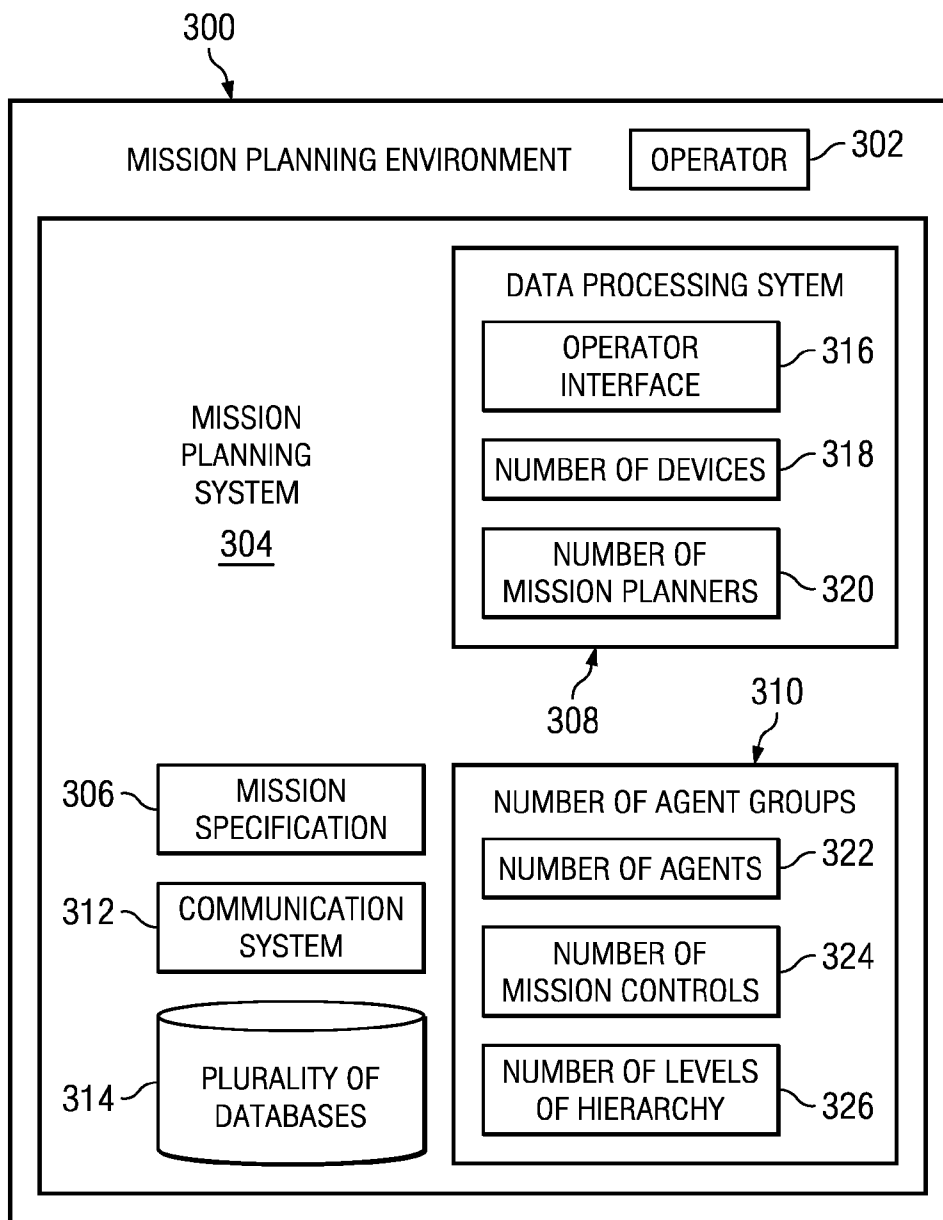


FIG. 3

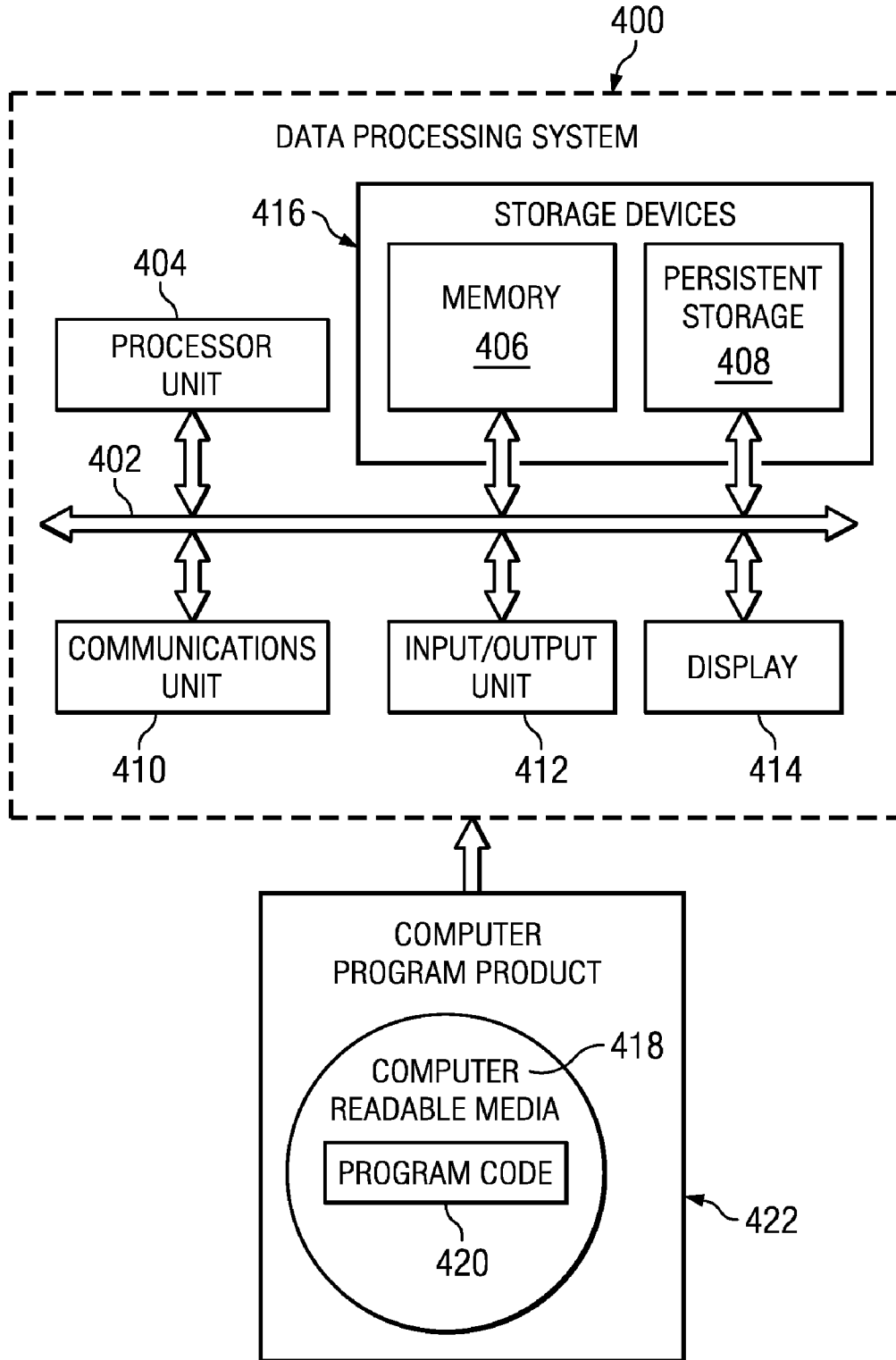
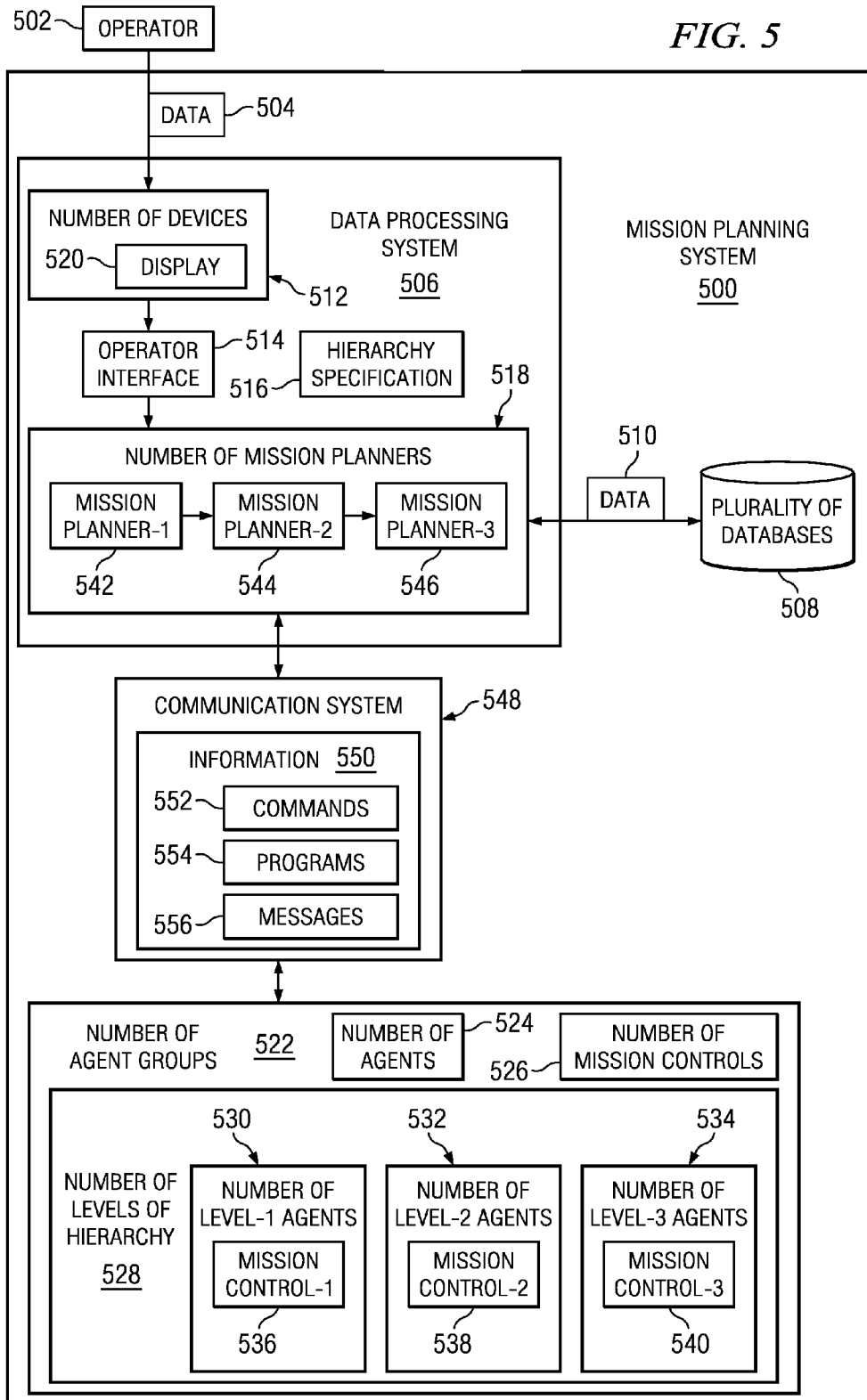
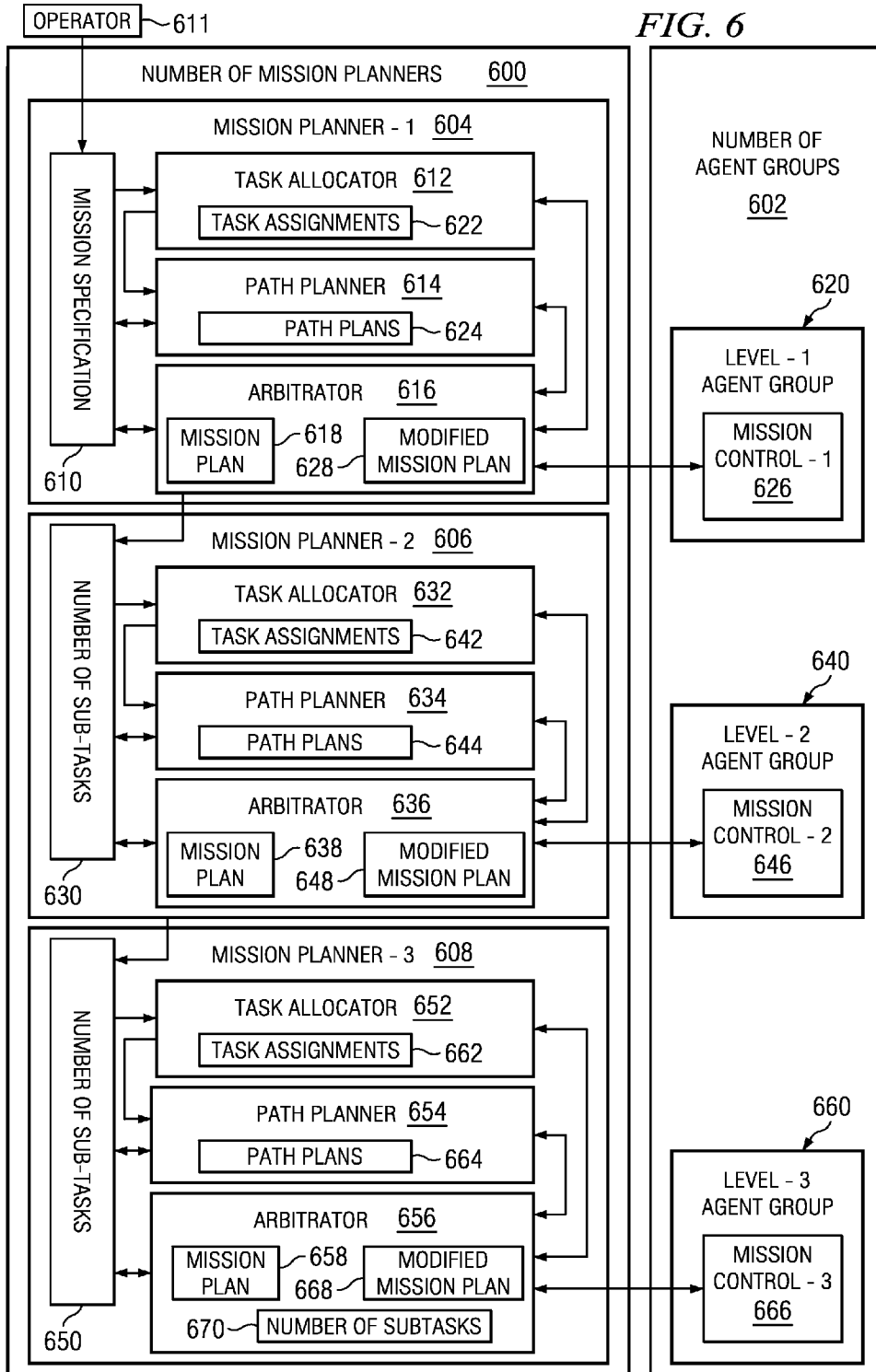


FIG. 4





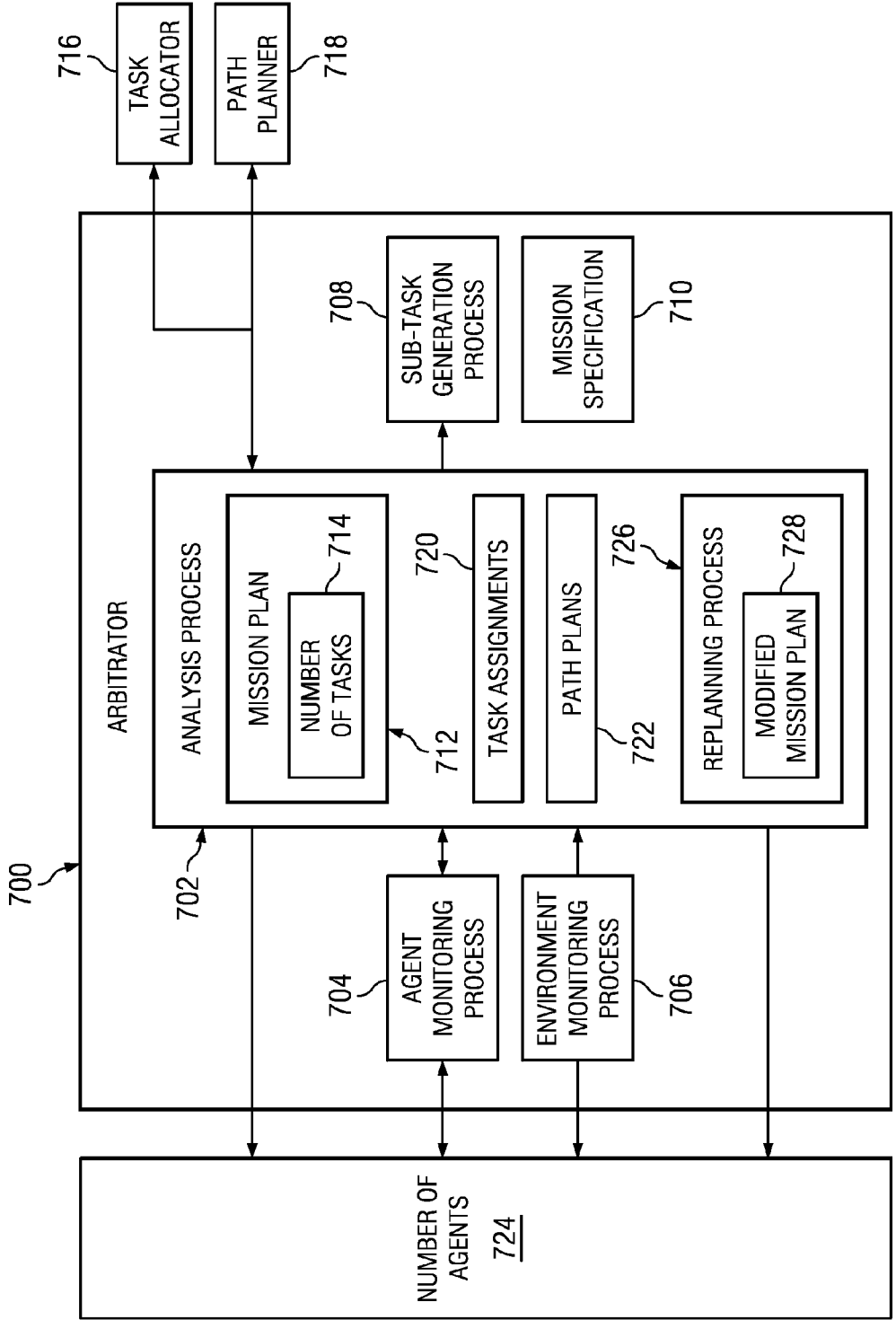


FIG. 7

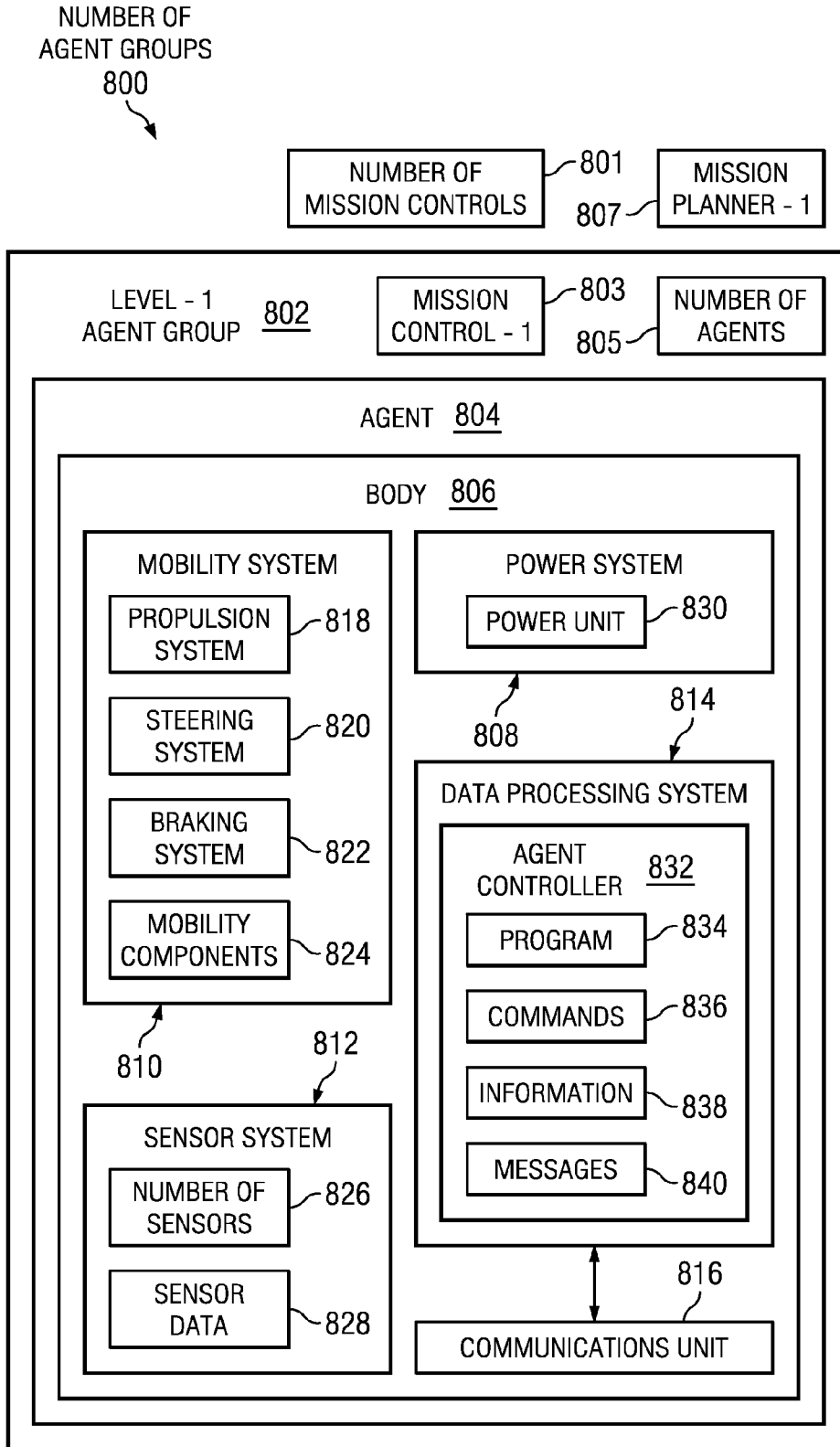


FIG. 8

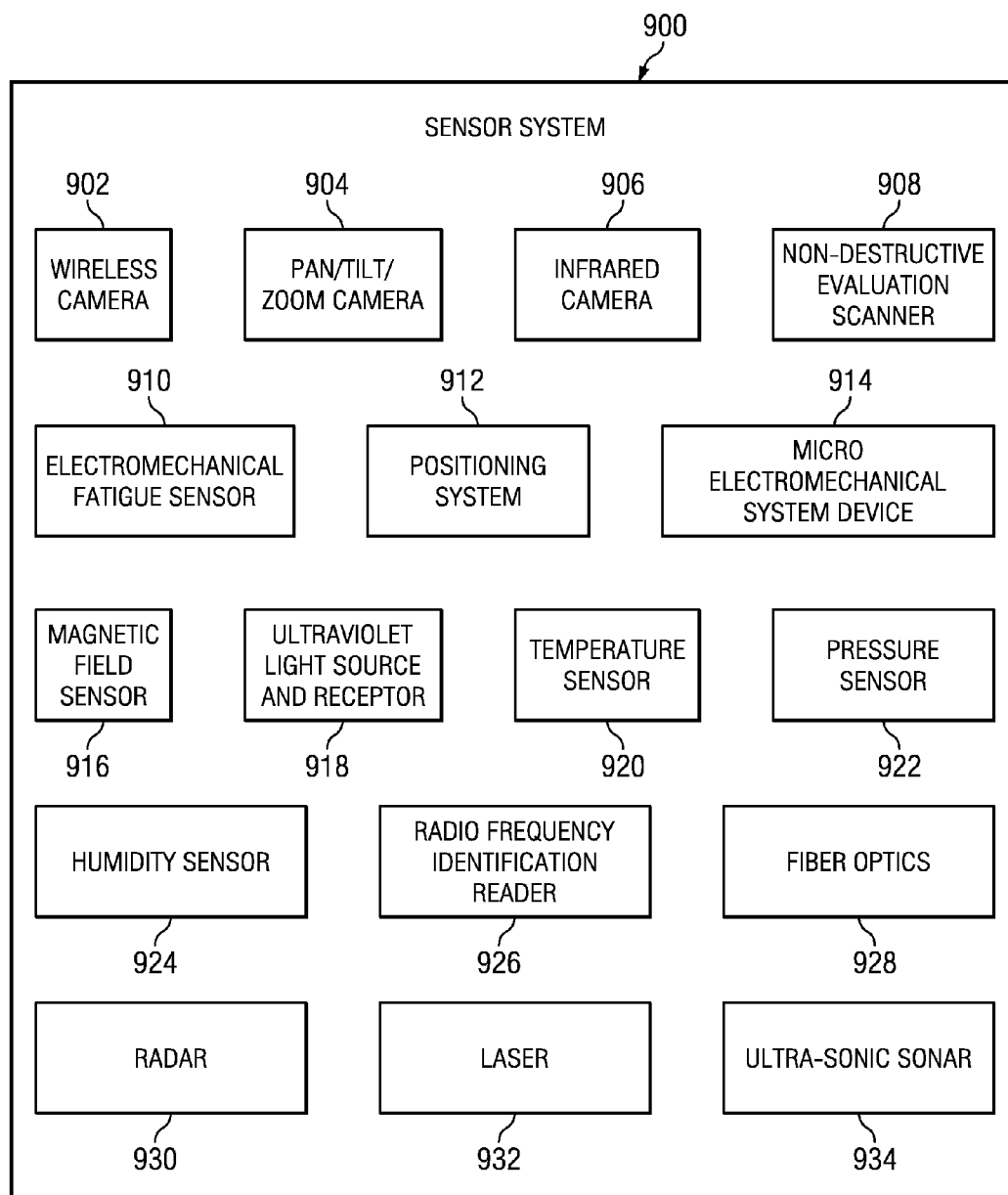


FIG. 9

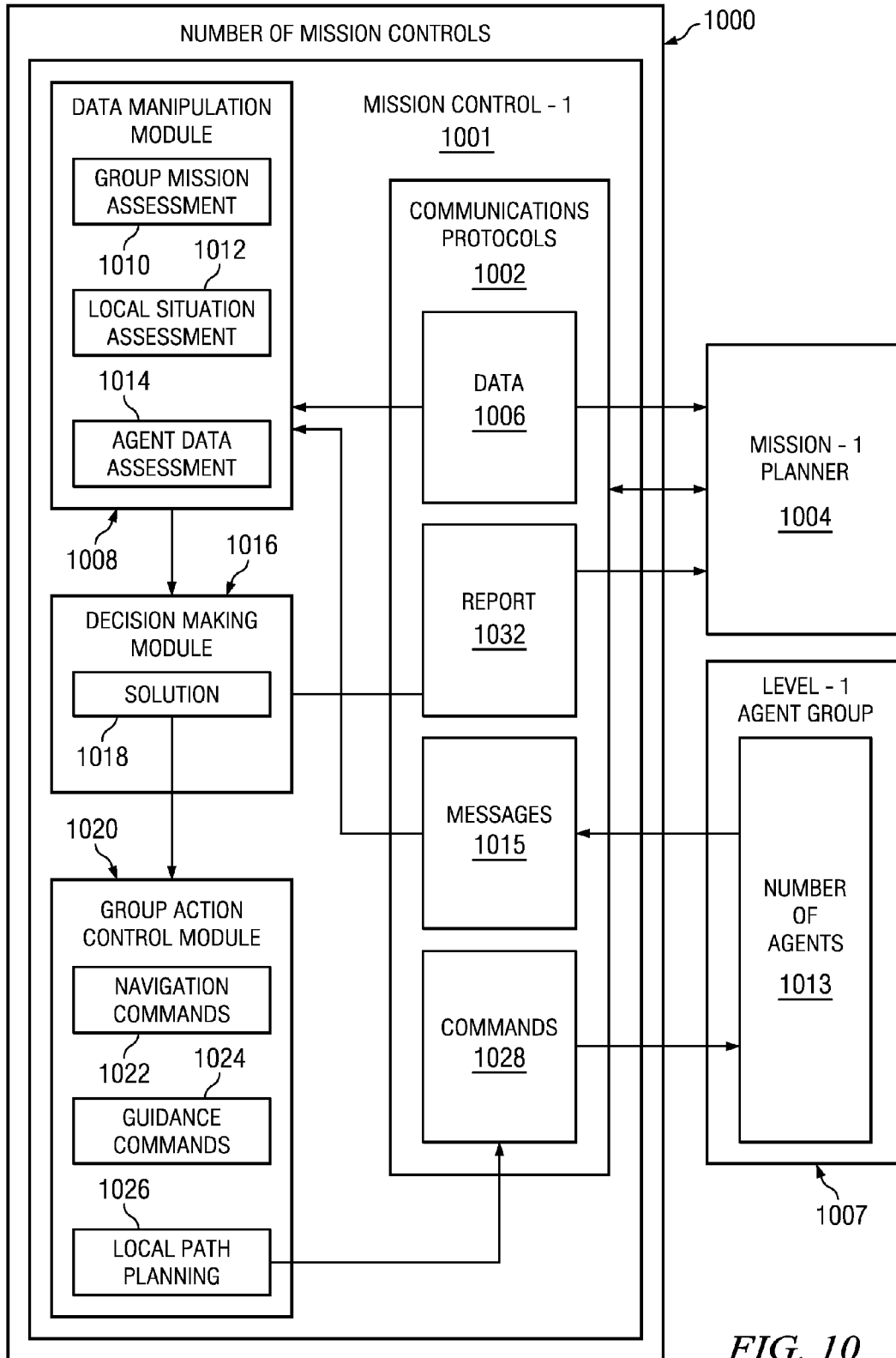


FIG. 10

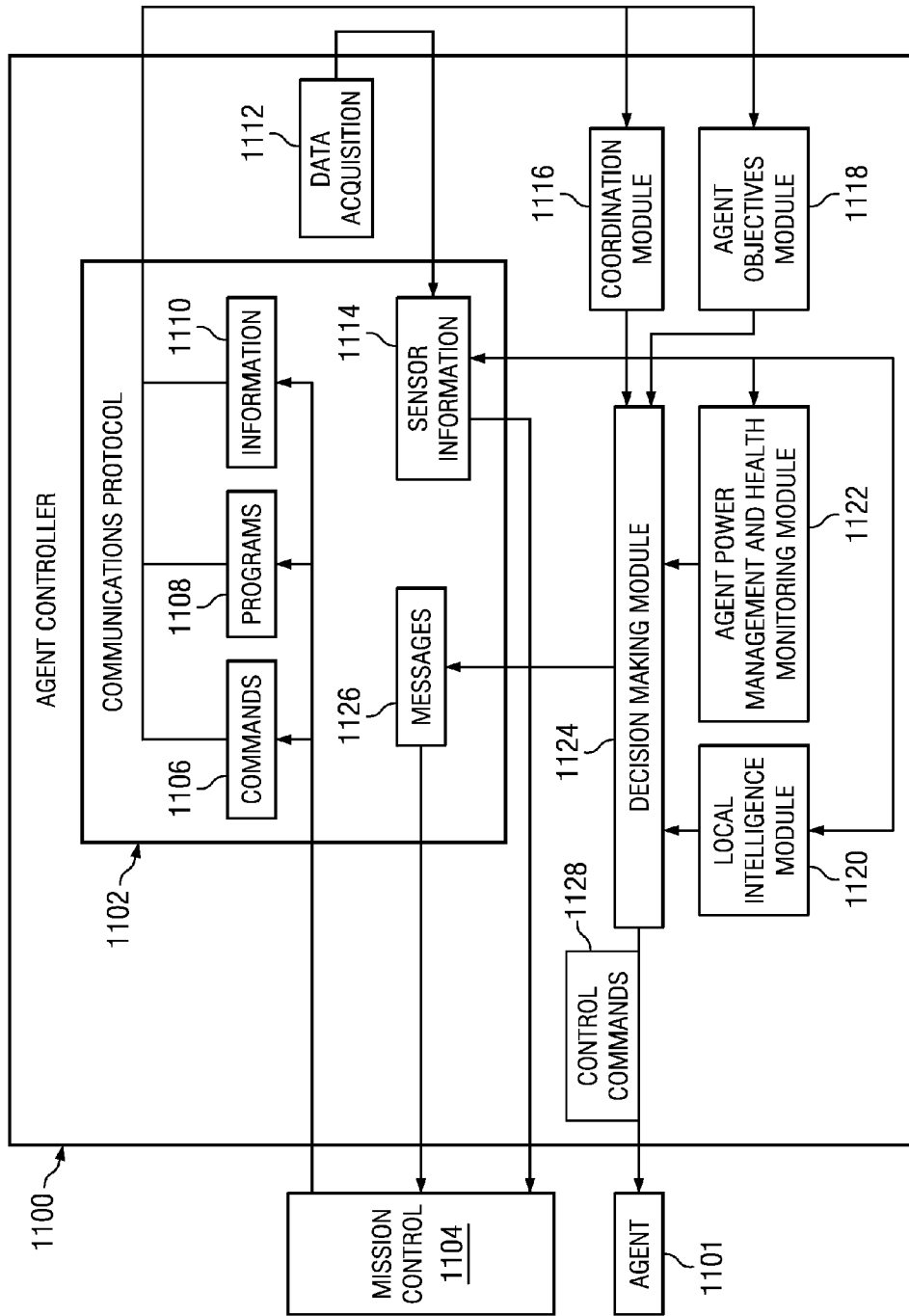


FIG. 11

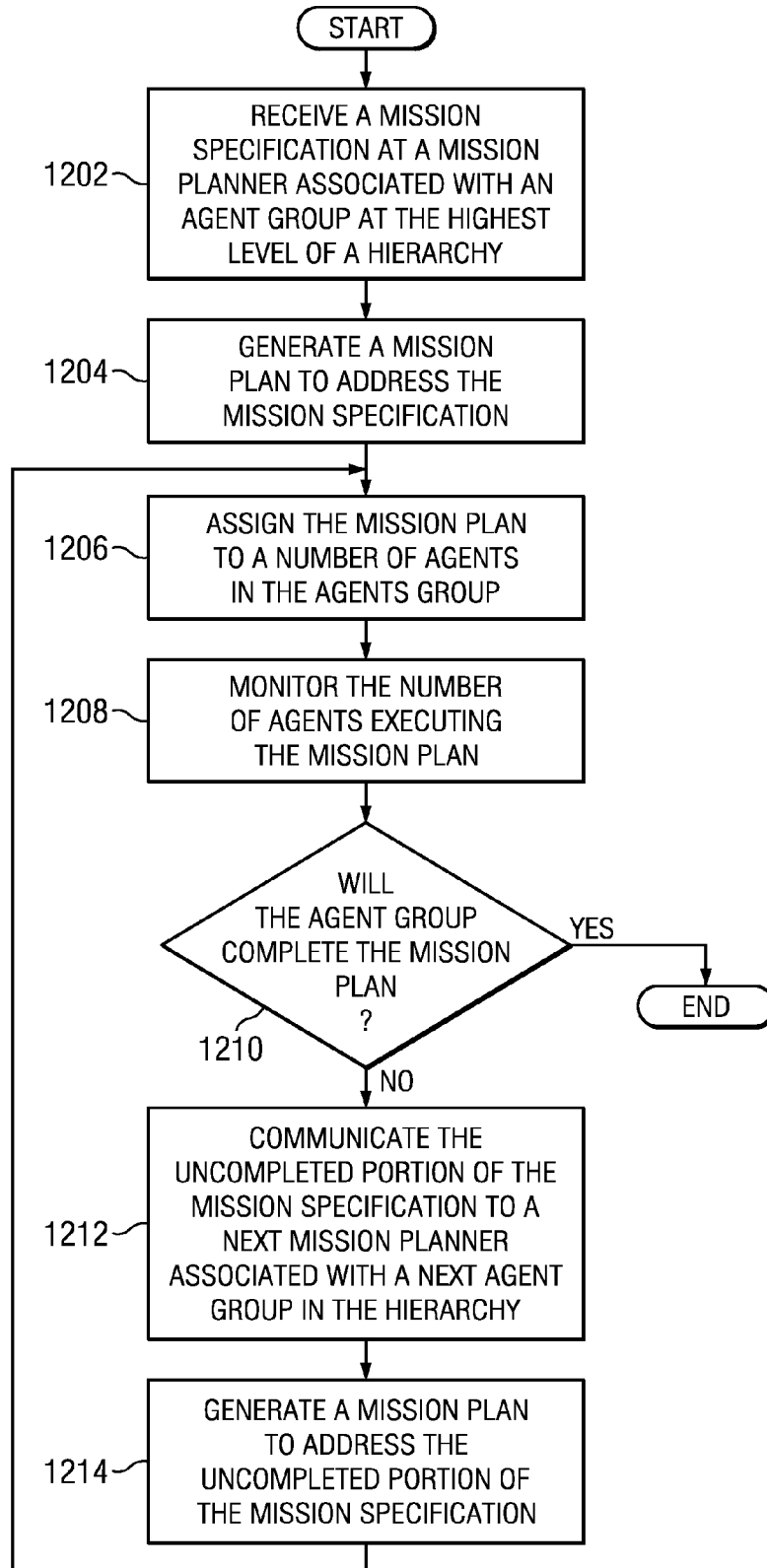


FIG. 12

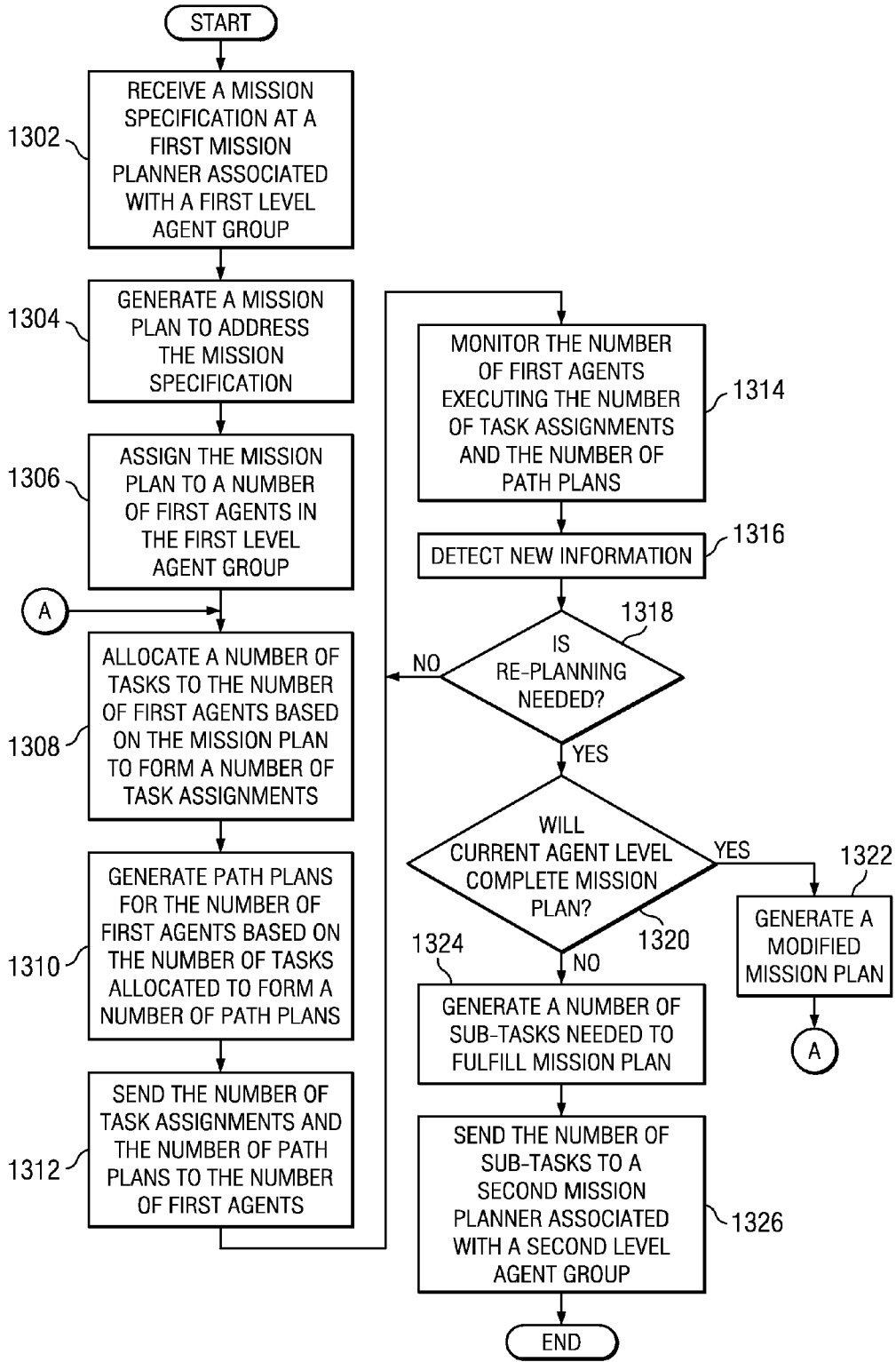


FIG. 13

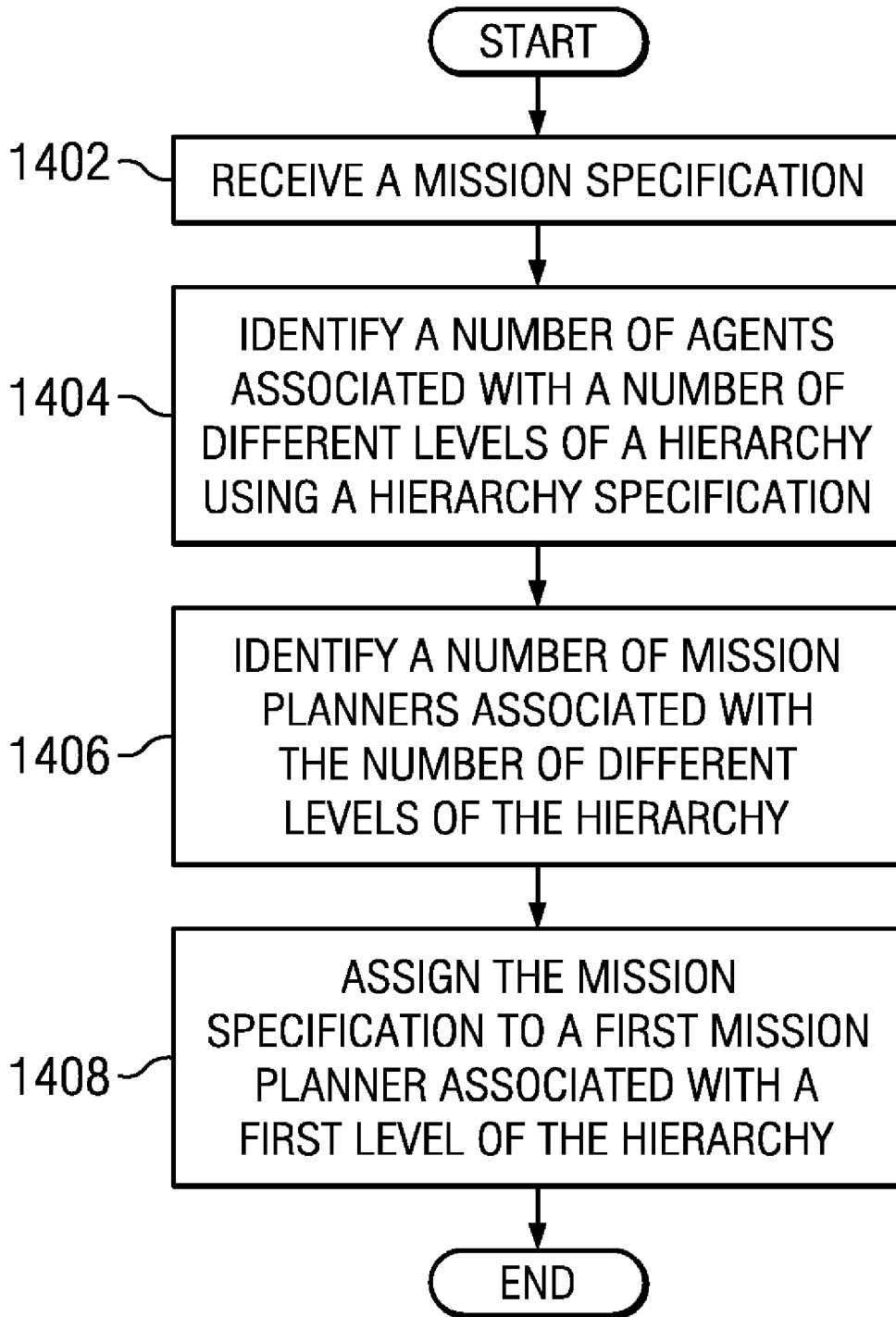


FIG. 14

HIERARCHICAL MISSION MANAGEMENT

BACKGROUND INFORMATION

[0001] 1. Field

[0002] The present disclosure relates generally to mission management and, in particular, to a hierarchical system for planning and executing a mission. Still more particularly, the present disclosure relates to a method and apparatus for planning and executing a mission using a hierarchical mission planning system.

[0003] 2. Background

[0004] Automated mission management systems are typically presented as a single system that populates the same solution for a specific mission or operation. Mission management software requires complete information about the task requirements in order to optimize the resource allocation. General resource allocation methods search an entire population of agents to match agent capabilities with the task requirements provided for a mission. An agent may be any entity that is capable of action, such as, for example, robots, machines, vehicles, sensors, and/or humans. Additionally, the resource allocation algorithm used is run over all agents simultaneously. With a large population of agents, the computational expense of this resource allocation is increased proportionate to the agent population size and to the complexity of the task requirements. Incomplete information provided about the mission environment or task requirements may result in a mismatch between agent capability and the tasks assigned, leading to higher mission cost.

[0005] For example, in the aircraft maintenance field, various inspection techniques may be used to inspect objects, such as aircraft structures, following suspected events or to determine whether scheduled or preventative maintenance may be required. Existing aircraft maintenance operations may vary by owner and/or operator, but many may rely on costly customized manual methods of inspection and maintenance. Other existing operation techniques may rely on semi-autonomous or autonomous systems, which may provide limited solutions specific to the type of operation being performed. Allocating resources for various semi-autonomous or autonomous systems specific to a limited type of operation may be cost-prohibitive, time consuming, and inefficient.

[0006] Therefore, it would be advantageous to have a method and apparatus that takes into account one or more of the issues discussed above, as well as possibly other issues.

SUMMARY

[0007] The different advantageous embodiments provide a method for hierarchical mission management. A mission specification having a number of tasks is received. A number of agents associated with a number of different levels of a hierarchy is identified using a hierarchy specification. A number of mission planners associated with the number of different levels of the hierarchy is identified using the hierarchy specification. The mission specification is assigned to a first mission planner in the number of mission planners associated with a first level of the hierarchy.

[0008] The different advantageous embodiments further provide a system for hierarchical mission management comprising a number of mission planners, a data processing system, and a communication system. The number of mission planners is associated with a number of agent groups. The

data processing system is configured to execute the number of mission planners. The communication system is configured to provide communication between the number of mission planners.

[0009] The different advantageous embodiments yet further provide a method for autonomous mission management. A mission specification is received at a first mission planner associated with a first level agent group. A number of first agents in the first level agent group is assigned to fulfill the mission specification. The number of first agents executing the mission is monitored using a data processing system. A determination is made as to whether the first level agent group will fulfill the mission specification. In response to a determination that the first level agent group will not fulfill the mission specification, the mission specification is communicated to a second mission planner associated with a second level agent group.

[0010] The features, functions, and advantages can be achieved independently in various embodiments of the present disclosure or may be combined in yet other embodiments in which further details can be seen with reference to the following description and drawings.

BRIEF DESCRIPTION OF THE DRAWINGS

[0011] The novel features believed characteristic of the advantageous embodiments are set forth in the appended claims. The advantageous embodiments, however, as well as a preferred mode of use, further objectives and advantages thereof, will best be understood by reference to the following detailed description of an advantageous embodiment of the present disclosure when read in conjunction with the accompanying drawings, wherein:

[0012] FIG. 1 is an illustration of an aircraft manufacturing and service method in accordance with an advantageous embodiment;

[0013] FIG. 2 is illustration of an aircraft in which an advantageous embodiment may be implemented;

[0014] FIG. 3 is an illustration of a mission planning environment in accordance with an advantageous embodiment;

[0015] FIG. 4 is an illustration of a data processing system in accordance with an advantageous embodiment;

[0016] FIG. 5 is an illustration of a mission planning system in accordance with an advantageous embodiment;

[0017] FIG. 6 is an illustration of a number of mission planners in accordance with an advantageous embodiment;

[0018] FIG. 7 is an illustration of an arbitrator in accordance with an advantageous embodiment;

[0019] FIG. 8 is an illustration of a number of agent groups in accordance with an advantageous embodiment;

[0020] FIG. 9 is an illustration of a sensor system in accordance with an advantageous embodiment;

[0021] FIG. 10 is an illustration of a number of mission controls in accordance with an advantageous embodiment;

[0022] FIG. 11 is an illustration of an agent controller in accordance with an advantageous embodiment;

[0023] FIG. 12 is an illustration of a flowchart of a process for hierarchical mission management in accordance with an advantageous embodiment;

[0024] FIG. 13 is an illustration of a flowchart of a process for autonomous hierarchical mission management in accordance with an advantageous embodiment; and

[0025] FIG. 14 is an illustration of a flowchart of a process for hierarchical mission management in accordance with an advantageous embodiment.

DETAILED DESCRIPTION

[0026] Referring more particularly to the drawings, embodiments of the disclosure may be described in the context of the aircraft manufacturing and service method **100** as shown in FIG. 1 and aircraft **200** as shown in FIG. 2. Turning first to FIG. 1, an illustration of an aircraft manufacturing and service method is depicted in accordance with an advantageous embodiment. During pre-production, aircraft manufacturing and service method **100** may include specification and design **102** of aircraft **200** in FIG. 2 and material procurement **104**.

[0027] During production, component and subassembly manufacturing **106** and system integration **108** of aircraft **200** in FIG. 2 may take place. Thereafter, aircraft **200** in FIG. 2 may go through certification and delivery **110** in order to be placed in service **112**. While in service by a customer, aircraft **200** in FIG. 2 may be scheduled for routine maintenance and service **114**, which may include modification, reconfiguration, refurbishment, and other maintenance or service.

[0028] Each of the processes of aircraft manufacturing and service method **100** may be performed or carried out by a system integrator, a third party, and/or an operator. In these examples, the operator may be a customer. For the purposes of this description, a system integrator may include, without limitation, any number of aircraft manufacturers and major-system subcontractors; a third party may include, without limitation, any number of vendors, subcontractors, and suppliers; and an operator may be an airline, leasing company, military entity, service organization, and so on.

[0029] With reference now to FIG. 2, an illustration of an aircraft is depicted in which an advantageous embodiment may be implemented. In this example, aircraft **200** may be produced by aircraft manufacturing and service method **100** in FIG. 1 and may include airframe **202** with a plurality of systems **204** and interior **206**. Examples of systems **204** may include one or more of propulsion system **208**, electrical system **210**, hydraulic system **212**, and environmental system **214**. Any number of other systems may be included. Although an aerospace example is shown, different advantageous embodiments may be applied to other industries, such as the automotive industry. Additionally, different advantageous embodiments may be applied to other infrastructure industries, such as bridges and buildings or other civilian or military applications.

[0030] Apparatus and methods embodied herein may be employed during any one or more of the stages of aircraft manufacturing and service method **100** in FIG. 1. For example, components or subassemblies produced in component and subassembly manufacturing **106** in FIG. 1 may be inspected while aircraft **200** is in maintenance and service **114** in FIG. 1.

[0031] Also, one or more apparatus embodiments, method embodiments, or a combination thereof may be utilized during service stages, such as maintenance and service **114** and in service **112** in FIG. 1, for example, without limitation, by substantially expediting the inspection and/or maintenance of aircraft **200**.

[0032] As used herein, the phrase “at least one of”, when used with a list of items, means that different combinations of one or more of the items may be used and only one of each

item in the list may be needed. For example, “at least one of item A, item B, and item C” may include, for example, without limitation, item A or item A and item B. This example also may include item A, item B, and item C or item B and item C.

[0033] The different advantageous embodiments recognize and take into account a number of different considerations. For example, the different advantageous embodiments take into account and recognize that currently used mission planning systems may not provide continuous and/or periodic data needed to detect and monitor intermittent conditions. The different advantageous embodiments also recognize that existing mission planning methods may not autonomously coordinate multiple missions and/or multiple groups of agents executing heterogeneous operations.

[0034] The different advantageous embodiments further take into account and recognize that currently used resource allocation systems may not be robust enough for dynamically planning and coordinating multiple remote agent groups, each of which may be intermittently dispatched and recalled during a given mission. In addition, significant operator workload is required to maintain operations of such complex coupled systems of systems due to functional failure or other unexpected environmental or mission operating conditions.

[0035] The different advantageous embodiments further take into account and recognize that current mission management systems populate the same solution for a specific mission or operation. Current mission management software requires complete information about the task requirements in order to optimize the resource allocation. General resource allocation methods search an entire population of agents to match agent capabilities with the task requirements provided for a mission. Additionally, the resource allocation algorithm used is run over all agents simultaneously. With a large population of agents, the computational expense of this resource allocation is increased proportionate to the agent population size and to the complexity of the task requirements. Incomplete information provided about the mission environment or task requirements may result in a mismatch between agent capability and the tasks assigned, leading to higher mission cost.

[0036] Thus, one or more of the different advantageous embodiments provide a method for hierarchical mission management. A mission specification having a number of tasks is received. A number of agents associated with a number of different levels of a hierarchy is identified using a hierarchy specification. A number of mission planners associated with the number of different levels of the hierarchy is identified using the hierarchy specification. The mission specification is assigned to a first mission planner in the number of mission planners associated with a first level of the hierarchy.

[0037] The different advantageous embodiments further provide a system for hierarchical mission management comprising a number of mission planners, a data processing system, and a communication system. The number of mission planners are associated with a number of agent groups. The data processing system is configured to execute the number of mission planners. The communication system is configured to provide communication between the number of mission planners.

[0038] The different advantageous embodiments yet further provide a method for autonomous mission management. A mission specification is received at a first mission planner associated with a first level agent group. A number of first agents in the first level agent group is assigned to fulfill the

mission specification. The number of first agents executing the mission is monitored using a data processing system. A determination is made as to whether the first level agent group will fulfill the mission specification. In response to a determination that the first level agent group will not fulfill the mission specification, the mission specification is communicated to a second mission planner associated with a second level agent group.

[0039] With reference now to FIG. 3, an illustration of a mission planning environment is depicted in accordance with an advantageous embodiment. Mission planning environment 300 may be any environment in which missions or operations are planned, executed, and modified using a number of agents and operator 302.

[0040] Mission planning system 304 is an example of a system used to plan an inspection mission to inspect aircraft 200 in FIG. 2 during maintenance and service 114 in FIG. 1, for example. Mission planning system 304 may be implemented in a number of industries for a number of applications. For example, mission planning system 304 may be implemented in the aerospace industry, automotive industry, military, law enforcement, first responders, search and rescue, surveillance, and/or any other suitable industry and/or application that may utilize planning systems.

[0041] Operator 302 may be, without limitation, a human operator, an autonomous machine operator, a robotic operator, or some other external system. Operator 302 may provide mission specification 306 to mission planning system 304. Mission planning system 304 includes data processing system 308, number of agent groups 310, and communication system 312. As used herein, number of agent groups refers to one or more agent groups. Mission planning system 304 includes plurality of databases 314 in the illustrative examples. In one advantageous embodiment, mission specification 306 may be retrieved from plurality of databases 314. Plurality of databases 314 may include a number of databases distributed across a number of network environments that may be accessed by mission planning system 304.

[0042] Data processing system 308 may include operator interface 316, number of devices 318, and number of mission planners 320. As used herein, number of refers to one or more items, such as one or more devices and/or one or more mission planners, for example. Data processing system 308 may be capable of generating information. Information may include, for example, without limitation, commands, data, programs, and/or other suitable types of information.

[0043] Operator 302 may use number of devices 318 to interact with operator interface 316. Number of devices 318 may include devices such as, without limitation, a display, data-glove, a personal digital assistant, a laptop, a joystick, a keyboard, a mouse, a touchscreen, an optical interface, a visual interface, a tactile interface, and/or any other suitable device. Operator 302 may use operator interface 316 to access number of mission planners 320 on data processing system 308. Number of mission planners 320 may plan missions and allocate resources accordingly. A mission may be, for example, without limitation, an inspection of a structure, a search and rescue operation, a surveillance mission, a maintenance operation, an area coverage operation, and/or any other suitable mission or operation. A mission planner is a process that executes on a data processing system, such as data processing system 308, for example.

[0044] In one advantageous embodiment, operator 302 may initiate a mission planning task using operator interface

316 on data processing system 308. For example, operator 302 may identify a specific task or mission for mission planning system 304 to execute. The specific task or mission in this example may be defined by mission specification 306. Operator 302 may be local to number of agent groups 310 or may be very remote from number of agent groups 310. For example, number of agent groups 310 may be in a different location, country, or planet than operator 302, such as a number of agents deployed on the moon and being tasked with mission specification 306 by operator 302 from the earth.

[0045] Number of agent groups 310 includes number of agents 322, number of mission controls 324, and number of levels of hierarchy 326. Number of agents 322 may include, for example, without limitation, robots, machines, vehicles, sensors, humans, and/or any other suitable type of agent. Number of agents 322 may be, without limitation, mobile, static, autonomous, and/or semi-autonomous. Each agent group in number of agent groups 310 includes a different number of agents from number of agents 322. Each agent in number of agents 322 is assigned to one of number of levels of hierarchy 326 based on the capabilities of the agent. In turn, each agent group in number of agent groups 310 corresponds to an individual level of hierarchy of number of levels of hierarchy 326. Each agent group in number of agent groups 310 includes an individual mission control from number of mission controls 324.

[0046] In an advantageous embodiment, number of mission planners 320 generates a mission plan for number of agent groups 310 using mission specification 306. The mission plan generated by number of mission planners 320 may be transmitted to number of mission controls 324 of number of agent groups 310 using communication system 312. Communication system 312 provides communication between number of mission planners 320 and number of agent groups 310. Communication system 312 may provide communications through the use of either or both physical and wireless communications links.

[0047] The illustration of mission planning environment 300 in FIG. 3 is not meant to imply physical or architectural limitations to the manner in which different advantageous embodiments may be implemented. Other components in addition and/or in place of the ones illustrated may be used. Some components may be unnecessary in some advantageous embodiments. Also, the blocks are presented to illustrate some functional components. One or more of these blocks may be combined and/or divided into different blocks when implemented in different advantageous embodiments.

[0048] For example, in one advantageous embodiment, number of mission planners 320 may receive mission specification 306 from plurality of databases 314 initiating a scheduled mission or operation. A scheduled mission or operation may be a routine operation or scheduled mission that is initiated by a date, time, or event recognized by plurality of databases 314. For example, routine maintenance on aircraft 200 in FIG. 2 may be initiated by a date, such as an annual maintenance date for example, stored in plurality of databases 314.

[0049] With reference now to FIG. 4, an illustration of a data processing system is depicted in accordance with an illustrative embodiment. Data processing system 400 may be used to implement different computers and data processing systems within a mission planning environment, such as mission planning system 304 and/or data processing system 308 in FIG. 3.

[0050] In this illustrative example, data processing system 400 includes communications fabric 402, which provides communications between processor unit 404, memory 406, persistent storage 408, communications unit 410, input/output (I/O) unit 412, and display 414. Depending on the particular implementation, different architectures and/or configurations of data processing system 400 may be used.

[0051] Processor unit 404 serves to execute instructions for software that may be loaded into memory 406. Processor unit 404 may be a set of one or more processors or may be a multi-processor core, depending on the particular implementation. Further, processor unit 404 may be implemented using one or more heterogeneous processor systems in which a main processor is present with secondary processors on a single chip. As another illustrative example, processor unit 404 may be a symmetric multi-processor system containing multiple processors of the same type.

[0052] Memory 406 and persistent storage 408 are examples of storage devices 416. A storage device may be any piece of hardware that may be capable of storing information, such as, for example without limitation, data, program code in functional form, and/or other suitable information either on a temporary basis and/or a permanent basis. Memory 406, in these examples, may be, for example, a random access memory or any other suitable volatile or non-volatile storage device. Persistent storage 408 may take various forms depending on the particular implementation. For example, persistent storage 408 may contain one or more components or devices. For example, persistent storage 408 may be a hard drive, a flash memory, a rewritable optical disk, a rewritable magnetic tape, or some combination of the above. The media used by persistent storage 408 also may be removable. For example, a removable hard drive may be used for persistent storage 408.

[0053] Communications unit 410, in these examples, provides for communications with other data processing systems or devices. In these examples, communications unit 410 may be a network interface card. Communications unit 410 may provide communications through the use of either or both physical and wireless communications links. Communications unit 410 may be used to implement communication system 312 in FIG. 3, for example.

[0054] Input/output unit 412 allows for input and output of data with other devices that may be connected to data processing system 400. For example, input/output unit 412 may provide a connection for user input through a keyboard, a mouse, and/or some other suitable input device. Further, input/output unit 412 may send output to a printer. Display 414 provides a mechanism to display information to a user.

[0055] Instructions for the operating system, applications and/or programs may be located in storage devices 416, which are in communication with processor unit 404 through communications fabric 402. In these illustrative examples the instructions are in a functional form on persistent storage 408. These instructions may be loaded into memory 406 for execution by processor unit 404. The processes of the different embodiments may be performed by processor unit 404 using computer implemented instructions, which may be located in a memory, such as memory 406.

[0056] These instructions are referred to as program code, computer usable program code, or computer readable program code that may be read and executed by a processor in processor unit 404. The program code in the different

embodiments may be embodied on different physical or tangible computer readable media, such as memory 406 or persistent storage 408.

[0057] Program code 420 may be located in a functional form on computer readable media 418 that may be selectively removable and may be loaded onto or transferred to data processing system 400 for execution by processor unit 404. Program code 420 and computer readable media 418 form computer program product 422 in these examples. In one example, computer readable media 418 may be in a tangible form, such as, for example, an optical or magnetic disc that may be inserted or placed into a drive or other device that may be part of persistent storage 408 for transfer onto a storage device, such as a hard drive that may be part of persistent storage 408. In a tangible form, computer readable media 418 also may take the form of a persistent storage, such as a hard drive, a thumb drive, or a flash memory that may be connected to data processing system 400. The tangible form of computer readable media 418 may also be referred to as computer recordable storage media. In some instances, computer readable media 418 may not be removable.

[0058] Alternatively, program code 420 may be transferred to data processing system 400 from computer readable media 418 through a communications link to communications unit 410 and/or through a connection to input/output unit 412. The communications link and/or the connection may be physical or wireless in the illustrative examples. The computer readable media also may take the form of non-tangible media, such as communications links or wireless transmissions containing the program code.

[0059] In some illustrative embodiments, program code 420 may be downloaded over a network to persistent storage 408 from another device or data processing system for use within data processing system 400. For instance, program code stored in a computer readable storage medium in a server data processing system may be downloaded over a network from the server to data processing system 400. The data processing system providing program code 420 may be a server computer, a client computer, or some other device capable of storing and transmitting program code 420.

[0060] The different components illustrated for data processing system 400 are not meant to provide architectural limitations to the manner in which different embodiments may be implemented. The different illustrative embodiments may be implemented in a data processing system including components in addition to or in place of those illustrated for data processing system 400. Other components shown in FIG. 4 can be varied from the illustrative examples shown. The different embodiments may be implemented using any hardware device or system capable of executing program code. As one example, the data processing system may include organic components integrated with inorganic components and/or may be comprised entirely of organic components excluding a human being. For example, a storage device may be comprised of an organic semiconductor.

[0061] As another example, a storage device in data processing system 400 may be any hardware apparatus that may store data. Memory 406, persistent storage 408 and computer readable media 418 are examples of storage devices in a tangible form.

[0062] In another example, a bus system may be used to implement communications fabric 402 and may be comprised of one or more buses, such as a system bus or an input/output bus. Of course, the bus system may be imple-

mented using any suitable type of architecture that provides for a transfer of data between different components or devices attached to the bus system. Additionally, a communications unit may include one or more devices used to transmit and receive data, such as a modem or a network adapter. Further, a memory may be, for example, memory 406 or a cache such as found in an interface and memory controller hub that may be present in communications fabric 402.

[0063] With reference now to FIG. 5, an illustration of a mission planning system is depicted in accordance with an advantageous embodiment. Mission planning system 500 may be an illustrative example of one implementation of mission planning system 304 in FIG. 3.

[0064] Operator 502 may provide data 504 to data processing system 506. Data 504 may be an illustrative example of one implementation of mission specification 306 in FIG. 3. Mission planning system 500 may also include plurality of databases 508 in some advantageous embodiments. In one advantageous embodiment, data 510 may be retrieved from plurality of databases 508. Plurality of databases 508 may include a number of databases distributed across a number of network environments that may be accessed by mission planning system 500. In one illustrative example, data 510 may be a mission specification, such as mission specification 306 in FIG. 3.

[0065] In another illustrative example, data 510 may be additional information used to generate a mission plan, such as, for example, without limitation, object identification information, object maintenance information, object reliability and maintainability information, engineering and material management information, object planning and control information, prior mission data, machine control information, mission process information, weather information, resource availability information, geo-location reference information, terrain mapping data, rules of engagement information, and/or any other suitable information.

[0066] Data processing system 506 includes number of devices 512, operator interface 514, hierarchy specification 516, and number of mission planners 518. As used herein, number of refers to one or more items, such as one or more devices and/or one or more mission planners, for example. Operator 502 may use number of devices 512 to interact with operator interface 514. Number of devices 512 may include devices such as, without limitation, a display, data-glove, a personal digital assistant, a laptop, a joystick, a keyboard, a mouse, a touchscreen, an optical interface, a visual interface, a tactile interface, and/or any other suitable device. Display 520 may be an example of one type of device in number of devices 512 used by operator 502 to interact with operator interface 514.

[0067] Hierarchy specification 516 describes the capabilities and assigned hierarchical level of each agent in number of agent groups 522. Hierarchy specification 516 includes information such as, without limitation, the number of levels in the hierarchy, and the number of agents in each level of the hierarchy. Hierarchy specification 516 may also specify what type of information that an agent in a particular level of the hierarchy can access in plurality of databases 508. For example, agents in one level of the hierarchy may not have access to weather information but only have access to area maps, while agents in another level of the hierarchy may have access to a limited subset of area maps. Hierarchy specification 516 may be used by number of mission planners 518 to

generate a mission plan that meets the requirements of a mission specification, such as mission specification 306 in FIG. 3.

[0068] In one advantageous embodiment, operator 502 may initiate a mission planning task using operator interface 514 on data processing system 506. For example, operator 502 may identify a specific task or mission for mission planning system 500 to execute. The specific task or mission in this example may be defined by a mission specification received in data 504. Number of mission planners 518 may receive data 504 and generate a mission plan to be executed by number of agent groups 522.

[0069] Number of agent groups 522 includes number of agents 524, number of mission controls 526, and number of levels of hierarchy 528. Number of agents 524 may be an illustrative example of one implementation of number of agents 322 in FIG. 3. Each agent group in number of agent groups 522 includes a different number of agents from number of agents 524. Each agent in number of agents 524 is assigned to one of number of levels of hierarchy 528 based on the capabilities of the agent, as defined in hierarchy specification 516. Each agent group in number of agent groups 522 also includes an individual mission control from number of mission controls 526. Number of mission controls 526 may represent the individual mission controls for each agent group in number of agent groups 522. Each agent group may have its own individual mission control.

[0070] In this illustrative example, number of agents 524 are assigned to number of levels of hierarchy 528 as number of level-1 agents 530, number of level-2 agents 532, and number of level-3 agents 534. Number of level-1 agents 530 includes mission control-1 536, number of level-2 agents 532 includes mission control-2 538, and number of level-3 agents 534 includes mission control-3 540.

[0071] Number of mission planners 518 may include mission planner-1 542, mission planner-2 544, and mission planner-3 546. Mission planner-1 542 is associated with number of level-1 agents 530. Mission planner-2 544 is associated with number of level-2 agents 532. Mission planner-3 546 is associated with number of level-3 agents 534.

[0072] Number of mission planners 518 may transmit mission plans using communication system 548. Communication system 548 may receive and transmit information 550 between number of mission planners 518 and number of agent groups 522. Information 550 may include commands 552 and programs 554 which are transmitted to a mission control of the designated agent group, such as mission control-1 536 of number of level-1 agents 530. During execution of a mission plan, number of mission controls 526 may send messages 556 to number of mission planners 518.

[0073] Messages 556 may be sent, for example, by mission control-1 536 to mission planner-1 542 if mission control-1 536 can not resolve a conflict in number of level-1 agents 530 that may hinder execution of the mission plan. Mission planner-1 542 may use messages 556 to modify the mission plan in order to resolve the conflict identified by mission control-1 536. Mission planner-1 542 may then send new commands or programs to mission control-1 536 to execute a modified mission plan, or may generate a number of sub-tasks to send to mission planner-2 544 for execution by number of level-2 agents 532, for example.

[0074] In one advantageous embodiment, mission planner-1 542 may receive data 504 from operator 502 using operator interface 514 to initiate a mission or operation. Data

504 may include, without limitation, a mission specification with information about a number of tasks, an objective, a structure, and/or any other suitable information for a mission or operation. Mission planner-1 **542** may receive data **504**, and/or data **510**, and may process the information received to generate a mission plan that allocates a number of tasks to number of level-1 agents **530**. The mission plan generated by mission planner-1 **542** may be transmitted to mission control-1 **536** for number of level-1 agents **530** using communication system **548**. Mission planner-1 **542** may monitor the mission or operation during execution and may modify the mission or operation based on feedback received from number of level-1 agents **530**.

[0075] The illustration of mission planning system **500** in FIG. 5 is not meant to imply physical or architectural limitations in the manner in which different advantageous embodiments may be implemented. Other components in addition and/or in place of the ones illustrated may be used. Some components may be unnecessary in some advantageous embodiments. Also, the blocks are presented to illustrate some functional components. One or more of these blocks may be combined and/or divided into different blocks when implemented in different advantageous embodiments.

[0076] With reference now to FIG. 6, an illustration of a number of mission planners is depicted in accordance with an advantageous embodiment. Number of mission planners **600** may be an illustrative example of one implementation of number of mission planners **320** in FIG. 3 and/or number of mission planners **518** in FIG. 5.

[0077] Number of mission planners **600** are configured to interact with number of agent groups **602**. Number of agent groups **602** may be an illustrative example of one implementation of number of agent groups **310** in FIG. 3 and/or number of agent groups **522** in FIG. 5.

[0078] Number of mission planners **600** may include mission planner-1 **604**, mission planner-2 **606**, and mission planner-3 **608**. Each mission planner in number of mission planners **600** includes a task allocator, a path planner, and an arbitrator. Mission planner-1 **604** may receive mission specification **610** from operator **611** via an operator interface, such as operator interface **514** in FIG. 5, for example. Mission planner-1 **604** includes task allocator **612**, path planner **614**, and arbitrator **616**.

[0079] Arbitrator **616** uses mission specification **610** to generate mission plan **618**. Mission plan **618** includes a number of tasks. As used herein, a number of tasks refers to one or more tasks. Arbitrator **616** sends mission plan **618** to task allocator **612** and path planner **614**. Task allocator **612** allocates the number of tasks for mission plan **618** to a number of agents in level-1 agent group **620**, forming task assignments **622**. Path planner **614** uses mission plan **618** and task assignments **622** to plan a physical path plan for each agent in level-1 agent group **620** executing the number of tasks in mission plan **618**, forming path plans **624**. Each agent in an agent group receives a path plan associated with the number of tasks allocated to that agent. Arbitrator **616** then sends task assignments **622** and path plans **624** to mission control-1 **626** of level-1 agent group **620**.

[0080] Arbitrator **616** monitors level-1 agent group **620** during execution of mission plan **618**. A number of agents of level-1 agent group **620** may provide information about the environment in which mission plan **618** is being executed and/or the individual agents of level-1 agent group **620**. This information provided by level-1 agent group **620** may be used

by arbitrator **616** to make decisions and determine whether mission plan **618** needs to be modified or re-planned. If arbitrator **616** determines that mission plan **618** requires re-planning, arbitrator **616** may generate modified mission plan **628** and/or number of sub-tasks **630**. Modified mission plan **628** is sent to task allocator **612** and path planner **614** to generate modified task assignments and modified path plans, which are then sent to mission-control-1 **626** for execution by level-1 agent group **620**.

[0081] Number of sub-tasks **630** are sent by arbitrator **616** of mission planner-1 **604** to mission planner-2 **606**. Mission planner-2 **606** includes task allocator **632**, path planner **634**, and arbitrator **636**. Arbitrator **636** uses number of sub-tasks **630** to generate mission plan **638**. Mission plan **638** includes a number of tasks. Arbitrator **636** sends mission plan **638** to task allocator **632** and path planner **634**. Task allocator **632** allocates the number of tasks for mission plan **638** to a number of agents in level-2 agent group **640**, forming task assignments **642**. Path planner **634** uses mission plan **638** and task assignments **642** to plan a physical path plan for each agent in level-2 agent group **640** executing the number of tasks in mission plan **638**, forming path plans **644**. Arbitrator **636** then sends task assignments **642** and path plans **644** to mission control-2 **646** of level-2 agent group **640**.

[0082] Arbitrator **636** monitors level-2 agent group **640** during execution of mission plan **638**. A number of agents of level-2 agent group **640** may provide information about the environment in which mission plan **638** is being executed and/or the individual agents of level-2 agent group **640**. This information provided by level-2 agent group **640** may be used by arbitrator **636** to make decisions and determine whether mission plan **638** needs to be modified or re-planned. If arbitrator **636** determines that mission plan **638** requires re-planning, arbitrator **636** may generate modified mission plan **648** and/or number of sub-tasks **650**. Modified mission plan **648** is sent to task allocator **632** and path planner **634** to generate modified task assignments and modified path plans, which are then sent to mission-control-2 **646** for execution by level-2 agent group **640**.

[0083] Number of sub-tasks **650** are sent by arbitrator **636** of mission planner-2 **606** to mission planner-3 **608**. Mission planner-3 **608** includes task allocator **652**, path planner **654**, and arbitrator **656**. Arbitrator **656** uses number of sub-tasks **650** to generate mission plan **658**. Mission plan **658** includes a number of tasks. Arbitrator **656** sends mission plan **658** to task allocator **652** and path planner **654**. Task allocator **652** allocates the number of tasks for mission plan **658** to a number of agents in level-3 agent group **660**, forming task assignments **662**. Path planner **654** uses mission plan **658** and task assignments **662** to plan a physical path plan for each agent in level-3 agent group **660** executing the number of tasks in mission plan **658**, forming path plans **664**. Arbitrator **656** then sends task assignments **662** and path plans **664** to mission control-3 **666** of level-3 agent group **660**.

[0084] Arbitrator **656** monitors level-3 agent group **660** during execution of mission plan **658**. A number of agents of level-3 agent group **660** may provide information about the environment in which mission plan **658** is being executed and/or the individual agents of level-3 agent group **660**. This information provided by level-3 agent group **660** may be used by arbitrator **656** to make decisions and determine whether mission plan **658** needs to be modified or re-planned. If arbitrator **656** determines that mission plan **658** requires re-planning, arbitrator **656** may generate modified mission plan **668**

and/or number of sub-tasks 670. Modified mission plan 668 is sent to task allocator 652 and path planner 654 to generate modified task assignments and modified path plans, which are then sent to mission-control-3 666 for execution by level-3 agent group 660.

[0085] Number of sub-tasks 670 are sent by arbitrator 656 of mission planner-3 608 to a next level mission planner, and so on, until mission specification 610 is completed and/or a determination is made that mission specification 610 cannot be completed by number of agent groups 602.

[0086] The illustration of number of mission planners 600 and number of agent groups 602 in FIG. 6 is not meant to imply physical or architectural limitations to the manner in which different advantageous embodiments may be implemented. Other components in addition and/or in place of the ones illustrated may be used. Some components may be unnecessary in some advantageous embodiments. Also, the blocks are presented to illustrate some functional components. One or more of these blocks may be combined and/or divided into different blocks when implemented in different advantageous embodiments.

[0087] For example, any additional number of mission planners and/or agent groups may be available in a mission planning environment, such as mission planning environment 300 in FIG. 3. The process may iteratively continue down a hierarchy of agents until the mission specification is completed.

[0088] With reference now to FIG. 7, an illustration of an arbitrator is depicted in accordance with an advantageous embodiment. Arbitrator 700 may be an illustrative example of one implementation of arbitrator 616 in FIG. 6.

[0089] Arbitrator 700 may include analysis process 702, agent monitoring process 704, environment monitoring process 706, and sub-task generation process 708. Analysis process 702 may use mission specification 710, received from an operator or database for example, to generate mission plan 712. Mission plan 712 may include number of tasks 714. Arbitrator 700 may send number of tasks 714 to task allocator 716 and path planner 718. Task allocator 716 may be an illustrative example of task allocator 612 in FIG. 6. Path planner 718 may be an illustrative example of path planner 614 in FIG. 6.

[0090] Analysis process 702 may receive task assignments 720 from task allocator 716, and path plans 722 from path planner 718. Arbitrator 700 provides task assignments 720 and path plans 722 to number of agents 724. Arbitrator 700 then uses agent monitoring process 704 and environment monitoring process 706 to monitor number of agents 724 executing task assignments 720 along path plans 722.

[0091] Number of agents 724 may send information, such as, without limitation, sensor data, to agent monitoring process 704 and/or environment monitoring process 706. Agent monitoring process 704 uses information received from number of agents 724 to monitor, for example, without limitation, the agent capability, agent status, agent health, agent power availability, and/or any other suitable agent characteristic of number of agents 724. Environment monitoring process 706 uses information received from number of agents 724 and/or other sources, such as plurality of databases 508 in FIG. 5, to monitor, for example, without limitation, changes in the environment around number of agents 724, discovery of a new task by number of agents 724, and/or any other suitable information that affects the mission performance.

[0092] In an illustrative example, agent monitoring process 704 may use data-clustering to categorize number of agents 724. Likewise, environment monitoring process 706 may use data-clustering to categorize a number of locations in the environment around number of agents 724. Data-clustering may utilize a sensitivity parameter to determine how similar an agent and/or location must be to belong to a given category, for example. For example, for a given level of sensitivity, an update from agent monitoring process 704 may cause an agent in number of agents 724 to change categories. In another example, a new category may be added by environment monitoring process 706. When analysis process 702 receives a category update or addition, analysis process 702 may initiate re-planning process 726 to determine if the changed parameters affect mission plan 712. The sensitivity parameter employed by agent monitoring process 704 and/or environment monitoring process 706 may mitigate small changes caused by observed noise from initiating continual re-planning, thereby conserving computational resources.

[0093] When new information is detected by arbitrator 700 using agent monitoring process 704 and/or environment monitoring process 706, the new information may be transmitted to analysis process 702. Analysis process 702 uses re-planning process 726 to determine whether a re-plan is needed for mission plan 712. In one illustrative example when re-planning is required, re-planning process 726 may generate modified mission plan 728. In another illustrative example when re-planning is required, re-planning process 726 may trigger sub-task generation process 708 to generate a number of sub-tasks for a mission planner at the next level in a hierarchy.

[0094] With reference now to FIG. 8, an illustration of a number of agent groups is depicted in accordance with an advantageous embodiment. Number of agent groups 800 may be an example of one manner in which number of agent groups 310 in FIG. 3 may be implemented.

[0095] Number of agent groups 800 may include number of mission controls 801. Each agent group in number of agent groups 800 may have its own mission control capable of receiving information from an associated mission planner, such as mission control-1 536 associated with mission planner-1 542 in FIG. 5. Level-1 agent group 802 may be an example of one implementation of an agent group in number of agent groups 800. Level-1 agent group 802 may include mission control 803 and number of agents 805. Mission control 803 may receive information directed to level-1 agent group 802 from mission planner-1 807 associated with level-1 agent group 802, and transmit messages from level-1 agent group 802 to mission planner-1 807.

[0096] Mission control-1 803 may monitor the progress of a mission or operation tasked to level-1 agent group 802, the interaction between number of agents 805 within level-1 agent group 802, and the status of each agent in number of agents 805. Mission control-1 803 may gather information while monitoring the progress of a mission or operation and the individual machines. The information gathered may indicate a conflict in the mission plan, which mission control-1 803 may be capable of solving. Mission control-1 803 may run a negotiation algorithm to determine whether a solution is available locally, and if a solution is available locally, may generate a number of commands to number of agents 805 to implement the solution. If a solution is not available locally, mission control-1 803 may send a message to mission planner-1 807 with the information about the conflict in the mis-

sion plan. Mission planner-1 **807** may be an example of one implementation of mission planner-1 **542** in FIG. 5.

[0097] Agent **804** may be an example of one agent in number of agents **805**. Agent **804** may be, for example, without limitation, a robot, machine, vehicle, sensor, human, and/or any other suitable type of agent. Agent **804** may include, without limitation, body **806**, power system **808**, mobility system **810**, sensor system **812**, data processing system **814**, communications unit **816**, and/or other suitable components.

[0098] Body **806** may provide a structure and/or housing for which different components may be located on and/or in agent **804**. Power system **808** may provide power to operate agent **804**. Power system **808** may generate power using power unit **830**. Power unit **830** may be rechargeable, removable and/or replaceable. Power unit **830** may be changed when power unit **830** becomes depleted. Power unit **830** may be, for example, without limitation, a battery and/or some other suitable type of power unit. For example, power unit **830** may be a wireless transfer unit capable of receiving power without using wires.

[0099] Mobility system **810** may provide mobility for agent **804**. Mobility system **810** may take various forms. Mobility system **810** may include, for example, without limitation, propulsion system **818**, steering system **820**, braking system **822**, and mobility components **824**. In these examples, propulsion system **818** may propel or move agent **804** in response to commands from agent controller **832** in data processing system **814**.

[0100] Propulsion system **818** may maintain or increase the speed at which agent **804** moves in response to instructions received from agent controller **832** in data processing system **814**. Propulsion system **818** may be an electrically controlled propulsion system. Propulsion system **818** may be, for example, without limitation, an internal combustion engine, an internal combustion engine/electric hybrid system, an electric engine, or some other suitable propulsion system.

[0101] Steering system **820** may control the direction or steering of agent **804** in response to commands received from agent controller **832** in data processing system **814**. Steering system **820** may be, for example, without limitation, an electrically controlled hydraulic steering system, an electrically driven rack and pinion steering system, a differential steering system, or some other suitable steering system.

[0102] Braking system **822** may slow down and/or stop agent **804** in response to commands received from agent controller **832** in data processing system **814**. Braking system **822** may be an electrically controlled braking system. This braking system may be, for example, without limitation, a hydraulic braking system, a friction braking system, or some other suitable braking system that may be electrically controlled.

[0103] Mobility components **824** may provide agent **804** with the capability to move in a number of directions and/or locations in response to instructions received from agent controller **832** in data processing system **814** and executed by propulsion system **818**, steering system **820**, and braking system **822**. Mobility components **824** may be, for example, without limitation, wheels, tracks, feet, rotors, propellers, wings, and/or other suitable components.

[0104] Sensor system **812** may include number of sensors **826** and sensor data **828**. For example, number of sensors **826** may include, without limitation, a camera, a scanner, an electromechanical fatigue sensor, a microelectromechanical system (MEMS) device, and/or some other suitable type of sen-

sor, as shown in more illustrative detail in FIG. 9. Sensor data **828** may be information collected by number of sensors **826**.

[0105] Data processing system **814** may control the operation of agent **804** using agent controller **832** to execute program **834** and transmit commands **836** in these examples. Program **834** may be received from mission planner-1 **807** through communications unit **816** and/or some other source. In these illustrative examples, communications unit **816** may provide the capability to transfer information, such as program **834** and commands **836**, between agent **804** and other agents within level-1 agent group **802**.

[0106] In one advantageous embodiment, program **834** and commands **836** are illustrative examples of programs **554** and commands **552** in FIG. 5, generated by number of mission planners **518** and transmitted over communications system **548** to number of agent groups **522** in FIG. 5. In another advantageous embodiment, program **834** and commands **836** may be generated by data processing system **814** based on information **838** received through communications unit **816** and/or some other source. Information **838** may be, for example, information about routine operations or planned missions, such as, for example, without limitation, maintenance requirements for a structure.

[0107] Data processing system **814** further receives sensor data **828** from sensor system **812** and generates messages **840**. Messages **840** may be transmitted through communications unit **816** to another agent within level-1 agent group **802** or another component and/or device in mission planning environment **300** in FIG. 3.

[0108] The illustration of number of agent groups **800** in FIG. 8 is not meant to imply physical or architectural limitations to the manner in which different advantageous embodiments may be implemented. Other components in addition and/or in place of the ones illustrated may be used. Some components may be unnecessary in some advantageous embodiments. Also, the blocks are presented to illustrate some functional components. One or more of these blocks may be combined and/or divided into different blocks when implemented in different advantageous embodiments.

[0109] For example, in some advantageous embodiments, agent controller **832** may be unnecessary. Agent controller **832** may be unnecessary if data processing system **814** directly receives programs **834** and commands **836** from mission planner-1 **807**, for example. In yet other advantageous embodiments, agent **804** may include additional systems not depicted here for operations such as, without limitation, inspection, maintenance, surveillance, search and rescue, and/or any other suitable operation or mission.

[0110] With reference now to FIG. 9, an illustration of a sensor system is depicted in accordance with an advantageous embodiment. Sensor system **900** may be an example of one implementation of sensor system **812** in FIG. 8.

[0111] Sensor system **900** may be located on a number of agents, such as number of agents **805** in level-1 agent group **802** of FIG. 8. Sensor system **900** may detect parameters such as, for example, without limitation, visual information, temperature information, humidity information, radiation outside the visual spectrum, structural frequency response information, non-visible light source reflection, air pressure, fluid pressure, gaseous pressures, strain or amount of deflection in a component, environmental factors, agent health, agent status, agent capabilities, and/or any other suitable parameter.

[0112] Sensor system **900** may include wireless camera **902**, pan/tilt/zoom camera **904**, infrared camera **906**, non-

destructive evaluation scanner **908**, electromechanical fatigue sensor **910**, positioning system **912**, microelectromechanical system (MEMS) device **914**, magnetic field sensor **916**, ultraviolet light source and receptor **918**, temperature sensor **920**, pressure sensor **922**, humidity sensor **924**, radio frequency identification reader **926**, fiber optics **928**, radar **930**, laser **932**, ultrasonic sonar **934**, and/or other suitable sensor components.

[0113] Wireless camera **902** may be any type of wireless visible light camera that may capture visual information such as still and/or moving images, for example. Wireless camera **902** may transmit the images over a wireless connection to a computer system. In an illustrative example, wireless camera **902** may be an indoor WiFi 802.11b wireless camera used for remote monitoring and surveillance over either local area networks or the Internet.

[0114] Pan/tilt/zoom camera **904** may be any camera capable of panning, tilting, and zooming in order to capture visual information such as still and/or moving images, for example. Panning may refer to the horizontal movement or rotation of the camera. Tilting may refer to the vertical movement or rotation of the camera. Zooming may refer to the ability to vary the focal length and angle of the lens of the camera.

[0115] Infrared camera **906** may form an image using infrared radiation, rather than visible light. In the illustrative example of an aircraft, infrared camera **906** may be utilized to improve an acquired image contrast ratio based on thermal intensity, thus increase the likelihood of detecting overheated items, such as aircraft brakes, bearings, gears, or components within an engine during an inspection operation, for example. In one illustrative example, infrared camera **906** may detect overheated aircraft brakes by showing a noticeable contrast to nearby and surrounding vehicle structures in relation to the aircraft brakes when viewed in the infrared spectrum. The noticeable contrast may be due to a temperature difference in the aircraft brake materials from the materials of the surrounding structures, for example.

[0116] Non-destructive evaluation scanner **908** may use electromagnetic radiation and microscopy to examine surfaces in detail. Non-destructive evaluation scanner **908** may be used to detect radiation outside the visual spectrum. The examination may often be reasonably obvious, especially when different light sources are used. For example, glancing light on a surface of a structure may reveal details not immediately obvious to sight. Type of electromagnetic radiation used may include, without limitation, X-rays, ultrasound, and/or other suitable electromagnetic radiation.

[0117] Electromechanical fatigue sensor **910** may use piezoelectric devices to provide information about the airplane structural condition that results from long term mechanical loading. Electromechanical fatigue sensor **910** may be used to detect structural frequency response information, for example.

[0118] Positioning system **912** may identify the location of the robotic machine with respect to other objects in the mission planning environment. Positioning system **912** may be any type of vision-based motion capture or radio frequency triangulation scheme based on signal strength and/or time of flight. Examples include, without limitation, the Global Positioning System, Glonass, Galileo, cell phone tower relative signal strength, and/or any other suitable system. Position may be typically reported as latitude and longitude with an error that depends on factors, such as, without limitation,

ionospheric conditions, satellite constellation, signal attenuation from environmental factors, and/or other suitable factors.

[0119] Microelectromechanical system (MEMS) device **914** may be used to sense such parameters as pressure, temperature, humidity, acceleration, and rotation using the small, lightweight, and low-power nature of MEMS technologies. This also includes nanoelectromechanical systems (NEMS) which are similar to MEMS, but smaller and may be used to sense small displacements and forces at the molecular scale.

[0120] Magnetic field sensor **916** may be a sensor used to measure the strength and/or direction of the magnetic field in the vicinity of magnetic field sensor **916**. Magnetic field sensor **916** may also measure variations in magnetic fields near the sensor. In one illustrative example, magnetic field sensor **916** may non-intrusively measure electric current flowing through a nearby electrical circuit.

[0121] Ultraviolet light source and receptor **918** may emit and detect ultraviolet light. Ultraviolet light may be electromagnetic radiation with a wavelength shorter than that of visible light. Ultraviolet light may be used to detect inconsistencies during an inspection operation such as, for example, fluid leaks or other residues that are difficult to identify in a visible light spectrum. Ultraviolet light source and receptor **918** may detect the bounce-back of ultraviolet light wavelengths from the emission of ultraviolet light. Ultraviolet light source and receptor **918** may transform the bounce-back wavelengths into a visible light spectrum viewable by a human eye.

[0122] Temperature sensor **920** may detect the ambient temperature of the operating environment around temperature sensor **920**. In an illustrative example, temperature sensor **920** may be a thermocouple or thermistor.

[0123] Pressure sensor **922** may measure the pressure of force in an operating environment around pressure sensor **922**. Pressure sensor **922** may detect the pressure of force caused by, for example, without limitation, air pressure, fluidic pressure, and/or gaseous pressure. In an illustrative example, pressure sensor **922** may be a fiber optic, mechanical deflection, strain gauge, variable capacitive, or silicon piezoresistive pressure sensor.

[0124] Humidity sensor **924** may measure relative humidity in an operating environment around humidity sensor **924**. In an illustrative example, humidity sensor **924** may be a hygrometer, resistive or capacitive relative humidity sensor.

[0125] Radio frequency identification reader **926** may rely on stored data and remotely retrieve the data using devices such as radio frequency identification (RFID) tags or transponders. Radio frequency identification tags may be located, for example, without limitation, on equipment, on a structure, on a number of robotic machines, on a power source, and/or any other suitable location. In the illustrative example of an aircraft, radio frequency identification tags may be located on required equipment such as, without limitation, life vests, batteries, a black box, and/or other suitable equipment. In this illustrative example, radio frequency identification reader **926** may detect the radio frequency identification tags located on various equipment and retrieve data in order for sensor system to detect whether or not required equipment is found on and/or within the object being inspected during an inspection operation.

[0126] Fiber optics **928** may contain a collection of optical fibers that permit transmission over longer distances and at higher data rates than other forms of communications. Fiber

optics **928** may be used, for example, without limitation, to measure strain and/or detect the amount of deflection in a component. Fiber optics **928** may be immune to electromagnetic interference. In an illustrative example, fiber optics may be used in a borescope to acquire images or video of hard to reach areas within an airplane structure during an inspection operation, for example.

[0127] Radar **930** may use electromagnetic waves to identify the range, altitude, direction, or speed of both moving and fixed objects. Radar **930** is well known in the art, and may be used in a time of flight mode to calculate distance to an object, as well as Doppler mode to calculate the speed of an object.

[0128] Laser **932** may emit light or electromagnetic radiation in a spatially coherent manner. Spatial coherence may refer to light that may either be emitted in a narrow, low-divergence beam, or may be converted into a narrow, low-divergence beam with the help of optical components, such as lenses for example.

[0129] Ultrasonic sonar **934** may use sound propagation on an ultrasonic frequency to measure the distance to an object by measuring the time from transmission of a pulse to reception and converting the measurement into a range using the known speed of sound. Ultrasonic sonar **934** is well known in the art and can also be used in a time of flight mode or Doppler mode, similar to radar **930**.

[0130] The illustration of sensor system **900** in FIG. 9 is not meant to imply physical or architectural limitations to the manner in which different advantageous embodiments may be implemented. Other components in addition to, and/or in place of the ones illustrated, may be used. Some components may be unnecessary in some advantageous embodiments. Also, the blocks are presented to illustrate some functional components. One or more of these blocks may be combined and/or divided into different blocks when implemented in different advantageous embodiments.

[0131] For example, in some advantageous embodiments, additional sensors not shown may be included in sensor system **900**. In another example, in some advantageous embodiments, sensors may be integrated together in a sensor suite, such as electromechanical fatigue sensor **910** and microelectromechanical system device **914**, for example.

[0132] With reference now to FIG. 10, an illustration of a number of mission controls is depicted in accordance with an advantageous embodiment. Number of mission controls **1000** may be an example of one implementation of number of mission controls **324** in FIG. 3 and/or number of mission controls **526** in FIG. 5, for example.

[0133] Mission control-1 **1001** may be an illustrative example of one mission control in number of mission controls **1000**. Mission control-1 **1001** may be an illustrative example of one implementation of mission control-1 **536** in FIG. 5. Mission control-1 **1001** may include communications protocols **1002**, which may query and receive data from other components of a mission planning system, such as mission planner-1 **1004**. Data **1006** may include commands, programs, and/or information. Data **1006** may be an example of information received from mission planner-1 **1004**, such as information including a mission objective and a number of tasks, for example. Mission planner-1 **1004** may send data **1006** to mission control-1 **1001** using communication protocols **1002**. Data **1006** may be used by mission control-1 **1001** to execute a mission using level-1 agent group **1007**. Level-1 agent group **1007** may be the agent group controlled by mission control-1 **1001**. Each agent group has its own mission

control, such as number of agent groups **310** and number of mission controls **324** in FIG. 3. Level-1 agent group **1007** may include number of agents **1013**. Number of agents **1013** may be an example of one implementation of number of agents **805** of level-1 agent group **802** in FIG. 8, for example. Number of agents **1013** may be capable of generating and sending messages **1015** during execution of a mission. Messages **1015** may contain information about the mission and/or number of agents **1013**, such as, for example, without limitation, the status of the mission, the status of number of agents **1013**, potential conflict in the mission, and/or any other suitable information.

[0134] Communications protocols **1002** may route information, such as data **1006** and messages **1015**, to data manipulation module **1008**. Data manipulation module **1008** may include, without limitation, group mission assessment **1010**, local situation assessment **1012**, and agent data assessment **1014**. Group mission assessment **1010** may monitor the progress of a mission being executed by level-1 agent group **1007**. Local situation assessment **1012** may monitor the interactions between number of agents **1013** within level-1 agent group **1007**. In an illustrative example, interactions between number of agents **1013** may be, without limitation, maintaining a relative distance minimum between each agent in number of agents **1013**. Agent data assessment **1014** may monitor the status of each individual agent within number of agents **1013**. Status may refer to, for example, without limitation, the availability, health, functionality, task progress, location, and/or other suitable status of an individual agent.

[0135] Data manipulation module **1008** may process and store the information collected during the monitoring activities of group mission assessment **1010**, local situation assessment **1012**, and agent data assessment **1014**. Data manipulation module **1008** may continuously monitor level-1 agent group **1007** for conflicts, and may send any identified conflict to decision making module **1016**. Decision making module **1016** may gather the information collected by data manipulation module **1008** and may determine whether the mission is executing without conflict or whether a conflict has developed during execution of the mission. If a conflict has developed during execution of the mission, decision making module **1008** may run a negotiation algorithm to identify and generate a local solution to the conflict, such as solution **1018**. If decision making module **1008** is able to generate solution **1018**, decision making module **1008** may send solution **1018** to group action control module **1020**.

[0136] Group action control module **1020** may generate commands **1028** to send to number of agents **1013** in level-1 agent group **1007** based on solution **1018**. Group action control module **1020** may include navigation commands **1022**, guidance commands **1024**, and local path planning **1026**. For example, local situation assessment **1012** may identify one or more agents in number of agents **1013** that may not be maintaining minimum distance separation. Solution **1018** may include instructions used by group action control module **1020** for generating navigation commands **1022** to navigate one or more agents to an appropriate distance separation, for example.

[0137] If decision making module **1016** is not able to identify a solution for the conflict identified, decision making module **1016** may generate report **1032** to send to mission planner-1 **1004**. Mission control-1 **1001** may then wait for

further commands and/or solutions from mission planner-1 **1004** in order to update commands **1028** to level-1 agent group **1007**.

[0138] The illustration of number of mission controls **1000** in FIG. **10** is not meant to imply physical or architectural limitations to the manner in which different advantageous embodiments may be implemented. Other components in addition to, and/or in place of the ones illustrated, may be used. Some components may be unnecessary in some advantageous embodiments. Also, the blocks are presented to illustrate some functional components. One or more of these blocks may be combined and/or divided into different blocks when implemented in different advantageous embodiments. For example, in some advantageous embodiments, additional components not shown may be included in number of mission controls **1000**.

[0139] With reference now to FIG. **11**, an illustration of an agent controller is depicted in accordance with an advantageous embodiment. Agent controller **1100** may be an example of one implementation of agent controller **832** in FIG. **8**.

[0140] Agent controller **1100** may control agent **1101**. Agent controller **1100** may include communications protocol **1102**. Communications protocol **1102** may handle incoming commands **1106**, programs **1108**, and information **1110** coming from mission control **1104**. Communications protocol **1102** may also handle outgoing sensor information **1114** and messages **1126** being sent to mission control **1104**. Data acquisition **1112** may receive sensor information from a sensor system associated with agent **1101**, such as sensor system **812** in FIG. **8**, and send sensor information **1114** to mission control **1104** using communications protocol **1102**. Sensor information **1114** may include, without limitation, information about an operating environment, structure, mission objective, resource, agent state, and/or other suitable sensor information.

[0141] Coordination module **1116** may decode group requirements for agent **1101** sent from mission control **1104** using commands **1106**, programs **1108**, or information **1110**. In an illustrative example, commands **1106** may be instructions to “inspect a wing” of an aircraft structure or “maintain a formation” with other agents in an agent group, for example. Agent objectives module **1118** may decode individual requirements for agent **1101** based on a mission plan. In an illustrative example, individual requirements may be “follow this trajectory or waypoint” or “go from location A to location B” for example.

[0142] Local intelligence module **1120** may detect information from other agents nearby, such as other agents in level-1 agent group **1007** controlled by mission control-1 **1001** for example. Information detected by local intelligence module **1120** may include, without limitation, the proximity of a number of agents to agent **1101**, the direction in which a number of agents are moving, and/or other suitable information. Local intelligence module **1120** may use sensor information **1114** to detect information from other agents. For example, sensor information **1114** may include data from wireless camera **902**, infrared camera **906**, positioning system **912**, and other sensor components of sensor system **900** in FIG. **9**, which may be implemented on agent **1101** for example.

[0143] Agent power management and health monitoring module **1122** may manage the power and health status of agent **1101**. Power and health status may include, for

example, without limitation, measuring and tracking available energy, such as battery state-of-charge for example. Agent power management and health monitoring module **1122** may provide information to decision making module **1124** on when a power source needs recharging or refueling, for example. Agent power management and health monitoring module **1122** may manage health sensors of a sensory system on agent **1101**, such as sensor system **900** in FIG. **9**, for example. Agent power management and health monitoring module **1122** may manage data and use data-driven or model-based prognostic and/or diagnostic algorithms to determine the health status of agent **1101**. Decision making module **1124** may receive information from each of coordination module **1116**, agent objectives module **1118**, local intelligence module **1120**, and agent power management and health monitoring module **1122**. Decision making module **1124** may use the information received to determine whether a given mission, sent by mission control **1104**, may be achieved. Control commands **1128** may include path planning, guidance and actuator control data. Control commands **1128** may provide control of sensors of agent **1101**, such as, without limitation, turning a sensor on or off, controlling the orientation of a pan/tilt/zoom camera, or setting other sensor parameters, for example. Control of sensors associated with agent **1101** may be used to detect environmental information in an environment around agent **1101**, for example. If decision making module **1124** determines a mission can be achieved, decision making module **1124** may send control commands **1128** to agent **1101** with the corresponding commands received from mission control **1104**. If decision making module **1124** determines the mission is not achievable by agent **1101**, decision making module **1124** may send messages **1126** back to mission control **1104** indicating the conflict or issue with the mission sent by mission control **1104**. Agent controller **1100** may then wait for new commands from mission controller **1104** before sending any control commands to agent **1101**.

[0144] The illustration of agent controller **1100** in FIG. **11** is not meant to imply physical or architectural limitations to the manner in which different advantageous embodiments may be implemented. Other components in addition to, and/or in place of the ones illustrated, may be used. Some components may be unnecessary in some advantageous embodiments. Also, the blocks are presented to illustrate some functional components. One or more of these blocks may be combined and/or divided into different blocks when implemented in different advantageous embodiments. For example, in some advantageous embodiments, additional components not shown may be included in agent controller **1100**.

[0145] With reference now to FIG. **12**, an illustration of a flowchart of a process for hierarchical mission management is depicted in accordance with an advantageous embodiment. The process in FIG. **12** may be implemented by a component such as mission planning system **304** in FIG. **3** and/or mission planning system **500** in FIG. **5**.

[0146] The process begins by receiving a mission specification at a mission planner associated with an agent group at the highest level of a hierarchy (operation **1202**). The mission planner may be the mission planner associated with the highest level of hierarchy in a number of agent groups, such as mission planner-1 **604** associated with level-1 agent group **620** in FIG. **6**, for example. The process generates a mission plan to address the mission specification (operation **1204**).

The mission plan may be generated by an arbitrator of the first mission planner, such as mission plan **618** generated by arbitrator **616** in FIG. **6**, for example. The process then assigns the mission plan to a number of agents in the agent group (operation **1206**). The process may transmit the mission plan using a communication system, such as communication system **548** in FIG. **5**, for example. The mission plan may be received by a mission control for the agent group, such as mission control-1 **626** in FIG. **6**, for example.

[**0147**] Next, the process monitors the number of agents executing the mission plan (operation **1208**). The process may monitor the number of agents for agent change, environmental change, new information, and/or any other information that may initiate a determination of whether the current agent group will successfully fulfill the requirements of the mission specification as set forth in the mission plan. The process determines whether the agent group will complete the mission plan (operation **1210**). If the process determines the agent group will not complete the mission plan, the process communicates the uncompleted portion of the mission specification to a next mission planner associated with a next level agent group in the hierarchy (operation **1212**). The next mission planner may be, for example, mission planner-2 **606** associated with level-2 agent group **640** in FIG. **6**. The process generates a mission plan to address the uncompleted portion of the mission specification (operation **1214**) and returns to operation **1206**, iteratively repeating the process in FIG. **12** until the mission specification is fulfilled.

[**0148**] With reference now to FIG. **13**, an illustration of a flowchart of a process for autonomous hierarchical mission management is depicted in accordance with an advantageous embodiment. The process in FIG. **13** may be implemented by a component such as mission planner-1 **604** in FIG. **6**, for example.

[**0149**] The process begins by receiving a mission specification at a first mission planner associated with a first level agent group (operation **1302**). The mission specification may be received from an operator, such as operator **502** in FIG. **5**, or a plurality of databases, such as plurality of databases **508** in FIG. **5**, for example. The process generates a mission plan to address the mission specification (operation **1304**). Next, the process assigns the mission plan to a number of first agents in the first level agent group (operation **1306**). The process then allocates a number of tasks to the number of first agents based on the mission plan to form a number of task assignments (operation **1308**).

[**0150**] Next, the process generates a number of path plans for the number of first agents based on the number of tasks allocated (operation **1310**). A path plan may be generated for each agent in an agent group, and the path plan generated for an agent may be associated with the number of tasks allocated to that agent. The process sends the number of task assignments and the number of path plans to the number of first agents (operation **1312**). The process then monitors the number of first agents executing the number of task assignments and the number of path plans (operation **1314**).

[**0151**] The process detects new information (operation **1316**). The new information may be detected by a sensor system on one or more of the number of first agents or by some other input, such as operator input, for example. The new information may be information about an agent, an environment in which an agent is currently executing a task, and/or any other suitable information. The process then determines whether a re-planning of the mission plan is needed

(operation **1318**). If the determination is made that no re-planning is needed, the process returns to operation **1314**. If the process determines that the re-planning of the mission plan is needed, the process then determines whether the current agent level will complete the mission plan (operation **1320**).

[**0152**] If a determination is made that the current agent level will complete the mission plan, the process generates a modified mission plan (operation **1322**) and returns to operation **1308**. If a determination is made that the current agent level will not complete the mission plan, the process then generates a number of sub-tasks needed to fulfill the mission plan (operation **1324**). The process sends the number of sub-tasks to a second mission planner associated with a second level agent group (operation **1324**), with the process terminating thereafter.

[**0153**] The process illustrated in FIG. **13** may be iteratively executed in each successive mission planner down the hierarchy until the mission specification is fulfilled or until no lower agent level group is available in the hierarchy.

[**0154**] With reference now to FIG. **14**, an illustration of a flowchart of a process for hierarchical mission management is depicted in accordance with an advantageous embodiment. The process in FIG. **14** may be implemented by a component such as mission planning system **304** in FIG. **3**, for example.

[**0155**] The process begins by receiving a mission specification (operation **1402**). The process identifies a number of agents associated with a number of different levels of a hierarchy using a hierarchy specification (operation **1404**). The hierarchy specification includes a description of agent capabilities for each of the number of agents associated with the number of different levels of hierarchy, as well as identifying the level in the hierarchy to which each agent in the number of agents is assigned.

[**0156**] Next, the process identifies a number of mission planners associated with the number of different levels of the hierarchy (operation **1406**). The process then assigns the mission specification to a first mission planner associated with a first level of the hierarchy (operation **1408**), with the process terminating thereafter. In assigning the mission specification to a mission planner, the process may allocate the number of tasks from the mission specification to a number of first agents associated with the first level of the hierarchy, for example.

[**0157**] The flowcharts and block diagrams in the different depicted embodiments illustrate the architecture, functionality, and operation of some possible implementations of apparatus, methods and computer program products. In this regard, each block in the flowchart or block diagrams may represent a module, segment, or portion of computer usable or readable program code, which comprises one or more executable instructions for implementing the specified function or functions. In some alternative implementations, the function or functions noted in the block may occur out of the order noted in the figures. For example, in some cases, two blocks shown in succession may be executed substantially concurrently, or the blocks may sometimes be executed in the reverse order, depending upon the functionality involved.

[**0158**] The different advantageous embodiments can take the form of an entirely hardware embodiment, an entirely software embodiment, or an embodiment containing both hardware and software elements. Some embodiments are

implemented in software, which includes but is not limited to forms, such as, for example, firmware, resident software, and microcode.

[0159] Furthermore, the different embodiments can take the form of a computer program product accessible from a computer-usable or computer-readable medium providing program code for use by or in connection with a computer or any device or system that executes instructions. For the purposes of this disclosure, a computer-usable or computer readable medium can generally be any tangible apparatus that can contain, store, communicate, propagate, or transport the program for use by or in connection with the instruction execution system, apparatus, or device.

[0160] The computer usable or computer readable medium can be, for example, without limitation an electronic, magnetic, optical, electromagnetic, infrared, or semiconductor system, or a propagation medium. Non limiting examples of a computer-readable medium include a semiconductor or solid state memory, magnetic tape, a removable computer diskette, a random access memory (RAM), a read-only memory (ROM), a rigid magnetic disk, and an optical disk. Optical disks may include compact disk-read only memory (CD-ROM), compact disk-read/write (CD-R/W) and DVD.

[0161] Further, a computer-usable or computer-readable medium may contain or store a computer readable or usable program code such that when the computer readable or usable program code is executed on a computer, the execution of this computer readable or usable program code causes the computer to transmit another computer readable or usable program code over a communications link. This communications link may use a medium that is, for example without limitation, physical or wireless.

[0162] A data processing system suitable for storing and/or executing computer readable or computer usable program code will include one or more processors coupled directly or indirectly to memory elements through a communications fabric, such as a system bus. The memory elements may include local memory employed during actual execution of the program code, bulk storage, and cache memories which provide temporary storage of at least some computer readable or computer usable program code to reduce the number of times code may be retrieved from bulk storage during execution of the code.

[0163] Input/output or I/O devices can be coupled to the system either directly or through intervening I/O controllers. These devices may include, for example, without limitation to keyboards, touch screen displays, and pointing devices. Different communications adapters may also be coupled to the system to enable the data processing system to become coupled to other data processing systems or remote printers or storage devices through intervening private or public networks. Non-limiting examples are modems and network adapters are just a few of the currently available types of communications adapters.

[0164] The description of the different advantageous embodiments has been presented for purposes of illustration and description, and is not intended to be exhaustive or limited to the embodiments in the form disclosed. Many modifications and variations will be apparent to those of ordinary skill in the art. Further, different advantageous embodiments may provide different advantages as compared to other advantageous embodiments. The embodiment or embodiments selected are chosen and described in order to best explain the principles of the embodiments, the practical appli-

cation, and to enable others of ordinary skill in the art to understand the disclosure for various embodiments with various modifications as are suited to the particular use contemplated.

What is claimed is:

1. A method for hierarchical mission management, the method comprising:

receiving a mission specification having a number of tasks; identifying a number of agents associated with a number of different levels of a hierarchy using a hierarchy specification;

identifying a number of mission planners associated with the number of different levels of the hierarchy using the hierarchy specification; and

assigning the mission specification to a first mission planner in the number of mission planners associated with a first level of the hierarchy.

2. The method of claim **1**, wherein the hierarchy specification includes a description of agent capabilities for each of the number of agents associated with the number of different levels of the hierarchy.

3. The method of claim **1**, wherein assigning the mission specification further comprises:

allocating the number of tasks to a number of first agents associated with the first level of the hierarchy.

4. The method of claim **1**, wherein task information about the number of tasks is communicated between the number of agents associated with the different levels of the hierarchy using a communication system.

5. A system for hierarchical mission management, the system comprising:

a number of mission planners associated with a number of agent groups, the mission planners configured to plan missions and allocate resources for the missions, and the number of agent groups configured to execute the missions planned by the number of mission planners;

a data processing system configured to execute the number of mission planners; and

a communication system configured to provide communication between the number of mission planners.

6. The system of claim **5**, further comprising:

a hierarchy specification defining a number of hierarchical levels associated with the number of mission planners and the number of agent groups.

7. The system of claim **6**, wherein the hierarchy specification further comprises a description of a number of agents and an associated hierarchy level assigned to each of the number of agents.

8. The system of claim **5**, wherein each mission planner in the number of mission planners further comprises:

an arbitrator configured to generate a mission plan for a number of agents in an associated agent group, the mission plan having a number of tasks;

a task allocator configured to allocate the number of tasks to the number of agents; and

a path planner configured to plan a number of physical paths associated with the number of tasks allocated to the number of agents.

9. The system of claim **8**, wherein the arbitrator is further configured to monitor the number of agents executing the number of tasks.

10. A method for autonomous hierarchical mission management, the method comprising:

receiving a mission specification at a first mission planner associated with a first level agent group;
 generating a mission plan to address the mission specification;
 assigning the mission plan to a number of first agents in the first level agent group;
 monitoring the number of first agents executing the mission plan using a data processing system;
 determining whether the first level agent group will complete the mission plan; and
 responsive to a determination that the first level agent group will not complete the mission plan, sending an uncompleted portion of the mission plan to a second mission planner associated with a second level agent group.

11. The method of claim **10**, wherein assigning the mission plan to the number of first agents further comprises:
 allocating a number of tasks to the number of first agents based on the mission plan to form a number of task assignments; and
 sending the number of task assignments to the number of first agents.

12. The method of claim **11**, wherein assigning the mission plan to the number of first agents further comprises:
 generating a number of path plans for the number of first agents based on the number of tasks allocated to each of the number of first agents;
 sending the number of path plans to the number of first agents, wherein each agent in the number of first agents receives a path plan associated with the number of tasks allocated to the agent.

13. The method of claim **10**, wherein monitoring the number of first agents executing the mission further comprises:
 detecting information about an environment change associated with the mission specification.

14. The method of claim **10**, wherein monitoring the number of first agents executing the mission further comprises:
 detecting information about an agent change in the number of first agents.

15. The method of claim **10**, wherein determining whether the first level agent group will complete the mission plan further comprises:
 determining whether a re-planning of the mission plan is required to accomplish the mission plan based on at least one of detected agent change and detected environmental change.

16. The method of claim **15**, further comprising:
 responsive to a determination that the re-planning of the mission plan is required, determining whether the first level agent group will complete the mission plan;
 responsive to a determination that the first level agent group will complete the mission plan, generating a modified mission plan for the number of first agents based on the re-planning of the mission plan.

17. A method for autonomous hierarchical mission management, the method comprising:
 receiving a mission specification at a mission planner associated with an agent group at the highest level of a hierarchy;
 generating a mission plan to address the mission specification;
 assigning the mission plan to a number of agents in the agent group at the highest level of the hierarchy;
 monitoring the number of agents in the agent group at the highest level of the hierarchy executing the mission plan; and
 determining whether the number of agents in the agent group at the highest level of the hierarchy will complete the mission plan.

18. The method of claim **17**, further comprising:
 responsive to a determination that the number of agents in the agent group at the highest level of the hierarchy will not complete the mission plan, communicating the uncompleted portion of the mission specification to a next mission planner associated with a next agent group in the hierarchy.

19. The method of claim **18**, wherein the next mission planner generates a mission plan to address the uncompleted portion of the mission specification.

20. The method of claim **17**, further comprising:
 determining whether a current agent group associated with a current level of the hierarchy will complete the mission plan; and
 responsive to a determination that the current agent group will not complete the mission plan, iteratively communicating the uncompleted portion of the mission plan to a next mission planner associated with a next agent group at a next level of the hierarchy until the mission plan is completed.

* * * * *