



PAPER • OPEN ACCESS

A novel ppm-precise absolute calibration method for precision high-voltage dividers

To cite this article: O Rest *et al* 2019 *Metrologia* **56** 045007

View the [article online](#) for updates and enhancements.

A novel ppm-precise absolute calibration method for precision high-voltage dividers

O Rest¹, D Winzen¹, S Bauer² , R Berendes¹, J Meisner², T Thümmler³, S Wüstling⁴ and C Weinheimer¹

¹ Institut für Kernphysik, Westfälische Wilhelms-Universität Münster, Wilhelm-Klemm-Str. 9, 48149 Münster, Germany

² Physikalisch-Technische Bundesanstalt, Bundesallee 100, 38116 Braunschweig, Germany

³ Karlsruhe Institute of Technology (KIT), Institute for Nuclear Physics (IKP), Hermann-von-Helmholtz-Platz 1, 76344 Eggenstein-Leopoldshafen, Germany

⁴ Karlsruhe Institute of Technology (KIT), Institute for Data Processing and Electronics (IPE), Hermann-von-Helmholtz-Platz 1, 76344 Eggenstein-Leopoldshafen, Germany

E-mail: o.rest@uni-muenster.de

Received 28 February 2019, revised 15 April 2019

Accepted for publication 13 June 2019

Published 2 July 2019



Abstract

The most common method to measure direct current high voltage (HV) down to the ppm-level is to use resistive high-voltage dividers. Such devices scale the HV into a range where it can be compared with precision digital voltmeters to reference voltages sources, which can be traced back to Josephson voltage standards. So far the calibration of the scale factors of HV dividers for voltages above 1 kV could only be done at metrology institutes and sometimes involves round-robin tests among several institutions to get reliable results. Here we present a novel absolute calibration method based on the measurement of a differential scale factor, which can be performed with commercial equipment and outside metrology institutes. We demonstrate that reproducible measurements up to 35 kV can be performed with relative uncertainties below $1 \cdot 10^{-6}$. This method is not restricted to metrology institutes and offers the possibility to determine the linearity of high-voltage dividers for a wide range of applications.

Keywords: high-voltage divider, high-voltage calibration, HVDC metrology, ppm-level calibration

(Some figures may appear in colour only in the online journal)


1. Introduction

Precision measurements of direct current (DC) high voltage (HV) are important for many applications in physics, e.g. to record an integral spectrum of tritium- β -electrons with the KATRIN neutrino mass experiment [1] or for determining kinetic energies of electrons with electron coolers at ion storage rings [2]. The scope of applications is not limited to fundamental research, but is also important for high-voltage direct current (HVDC) electric power transmission systems, which are currently discussed

and planned as part of the ‘energy transition’ in many European countries. In other countries, e.g. China, Brazil and India, huge HVDC traces and grids are already used for the transmission of large energy amounts [3–7].

The general approach to measure high voltage is to scale it with a HV divider to a range, where it can be compared to a reference voltage source⁵, which is calibrated by a metrology laboratory like the German National Metrology Institute Physikalisch-Technische Bundesanstalt (PTB) with a Josephson voltage standard [8].

Precision HV dividers to the ppm⁶-level are commercially available only for voltages up to 1 kV. One key problem for

 Original content from this work may be used under the terms of the [Creative Commons Attribution 3.0 licence](https://creativecommons.org/licenses/by/3.0/). Any further distribution of this work must maintain attribution to the author(s) and the title of the work, journal citation and DOI.

⁵ E.g. a Fluke 732A 10V reference voltage source.

⁶ Parts per million, $1 \text{ ppm} = 1 \cdot 10^{-6}$

the operation of ppm-precise HV dividers for higher voltages is the lack of traceable calibration methods with the required precision. HV dividers are composed of resistors and therefore generally show a voltage- and time dependent behavior. This is mainly caused by thermal loads and leakage currents with respect to different voltage ranges and powers. Hence, calibration values obtained at low voltages in the order of 1 kV can not be extrapolated for higher voltages without corrections.

Up to now the only possibility to calibrate a HV divider to the ppm-level is to transport the unit under test to a metrology center and compare it to a well-known standard HV divider like the MT100 [9] of PTB for direct voltages up to 100 kV. The voltage dependency of the MT100 is proven at the nominal voltage of each resistor. But the traceable comparison of the entire divider with a known reference is not possible at high voltages. Therefore, the uncertainty budget of the MT100 has a major contribution caused by the linearity extension leading to an overall expanded uncertainty of $2 \cdot 10^{-6}$.

Recently two new methods for an absolute calibration of HV dividers were reported in [10] and [11], where uncertainties in the range of $5 \cdot 10^{-6}$ could be achieved. However, these methods require a complex and partially unique experimental set-up (e.g. an ion beamline with a laser spectroscopy set-up or the 70 m long KATRIN neutrino mass experiment), making these methods very difficult to apply in laboratories with only commercially available equipment.

In this paper we present a newly developed method for absolute calibrations of HV divider to the ppm-level by measuring a traceable differential voltage under HV conditions, which can be performed with commercially available devices. The next section gives an overview over the basic set-up of HV dividers and their former calibration techniques. Subsequently, the newly developed calibration method will be explained and first measurement results with achieved relative uncertainties of less than $1 \cdot 10^{-6}$ will be presented.

2. High-voltage divider characterization

Since high voltages can not be measured directly with ppm-precision, HV dividers are used to scale voltages into the range of typically below 20V. Here precision digital voltmeters (DVM) are calibrated with 10V reference sources, which are traceable to a natural standard at metrology institutes.

Figure 1 shows a schematic overview of a simple HV divider. It consists of a chain of multiple resistors $\sum_{i=1}^n R_i$ and a low voltage resistor R_{LV} connected in series. The output voltage U_{LV} measured over R_{LV} is proportional to the input voltage U_{HV} of the divider. The characteristic observable is the so-called scale factor M :

$$M := \frac{U_{HV}}{U_{LV}} = \frac{\sum_{i=1}^n R_i + R_{LV}}{R_{LV}} = \frac{\sum_{i=1}^n R_i}{R_{LV}} + 1. \quad (1)$$

Depending on the properties of R_{LV} compared to the overall resistance, arbitrary and also—if R_{LV} consists of multiple resistors—numerous scale factors can be realized. Following equation (1), M depends on the ratio of R_{LV} and $\sum_{i=1}^n R_i$. If HV is applied to a voltage divider, its individual resistances

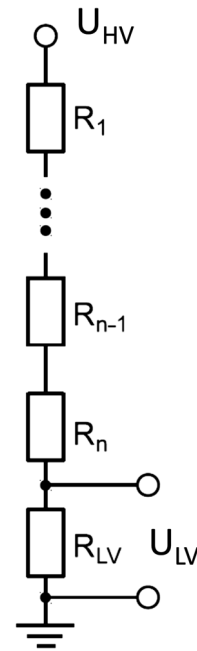


Figure 1. Schematic overview of a simple HV divider. The output voltage U_{LV} measured over a part R_{LV} of the resistor chain R_i is proportional to the input voltage U_{HV} . The proportionality factor is called the scale factor M .

might change due to dissipated power caused by Joule heating. Since the power of heating P scales quadratically with the current I and linearly with a resistance R

$$P \propto I^2 \cdot R = \frac{U^2}{R}, \quad (2)$$

one can conclude, that the resistances R_{LV} and R_i , and thus the scale factor M are voltage dependent:

$$M = M(U_{HV}). \quad (3)$$

To mitigate this effect, the total resistance of precision HV dividers is typically in the M Ω -range or higher, limiting the electrical current through the system to less than 1 mA. Furthermore, usually high-quality resistors (e.g. [12]) with a low temperature coefficient in a closed stabilized thermal environment are used, resulting in low temperature dependency and long term stability of the scale factor in the (sub)-ppm-range [9, 13, 14].

In order to calibrate the scale factor M_A of a HV divider, the general procedure is to apply a calibration input voltage U_{HV} and measure the output voltage U_1 with a precision DVM⁷. The input voltage has to be determined with a reference HV divider with well known scale factor M_B and a second precision DVM measuring its output voltage U_2 :

$$U_{HV} = M_B \cdot U_2. \quad (4)$$

⁷ In the ideal case the input resistance of a DVM is infinitely high. In reality, the input resistance of the DVM $R_{in,DVM}$ (in the 100 G Ω to 1 T Ω range for high-end DVM) has to be more than a million times larger than R_{LV} to determine the scale factor with ppm-precision. Otherwise the scale factor has to be corrected for $R'_{LV} = R_{LV} || R_{in,DVM}$.

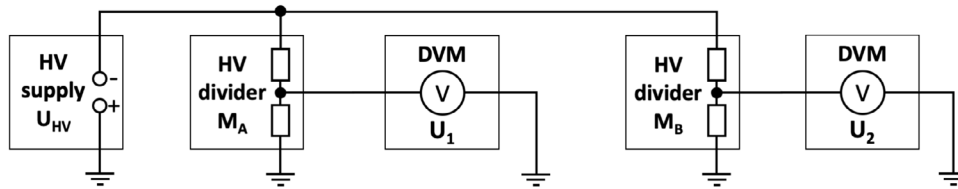


Figure 2. Connection scheme for the calibration of a HV divider with a HV supply (U_{HV}) and a precision DVM to measure the output voltage U_1 of the scale factor M_A . A reference HV divider with well known scale factor M_B is connected to the same HV source. In combination with a second precision DVM (U_2) it is used to determine the input voltage U_{HV} . With commercial equipment this procedure is limited to 1 kV.

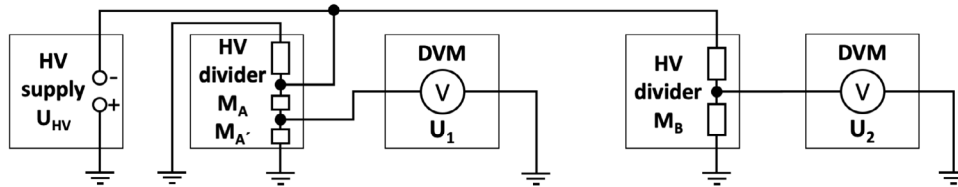


Figure 3. Connection scheme for the calibration of a HV divider with the two scale factors M_A and $M_{A'} > M_A$. Here the voltage created by a HV supply is not connected to the input of the unit under test, but to the scale factor M_A output connection. The scaled voltage U_1 is measured with a precision DVM at $M_{A'}$. A reference HV divider with scale factor M_B and a second DVM (U_2) are used to determine the input voltage.

This set-up is shown schematically in figure 2. Following equations (1) and (4), the scale factor of the unit under test can be calculated to be

$$M_A = \frac{U_2 \cdot M_B}{U_1}. \quad (5)$$

Since commercial reference dividers with ppm-precision are only available for voltages up to 1 kV, the calibration with these devices in such a configuration is limited to 1 kV not probing the full range of $M_A(U_{HV})$. Secondly this arrangement prefers scale factors of 100:1 or smaller to avoid that the output voltage U_1 gets far below the desired 10V. To scale down high voltages well beyond 1 kV into the suitable range of high-precision DVM much higher scale factors are necessary.

For example, for a scale factor of 2000:1 the output voltage measured with a DVM would be 0.5 V. Measuring such a small voltage would mean losing one digit of resolution of the most precise range of the DVM and is therefore not directly traceable to a 10V reference source used to calibrate the DVM.

A standard procedure to avoid this problem is a step-up technique with 1 kV (low voltage) equipment. A prerequisite to apply this method is that the HV divider under test has multiple scale factors, one of them ideally scaling $M_A \approx 100 : 1$. In the first step M_A has to be calibrated with the direct method mentioned above with 1 kV. In a second step the higher scale factor $M_{A'}$ is calibrated by applying U_{HV} not to the regular divider input, but to the M_A output connection. In this arrangement the voltage drop over the low voltage resistors R_{LV} at a calibration voltage $U_{HV} \leq 1\text{kV}$ is comparable to the voltage drop over the resistors at an input HV of $U_{HV} \cdot M_A$. The connection scheme for this calibration method is shown in figure 3. The set-up for the determination of the input voltage is similar to the previous method. For the calculation of $M_{A'}$ one has to multiply the determined input voltage with M_A :

$$M_{A'} = \frac{U_2 \cdot M_B}{U_1} \cdot M_A. \quad (6)$$

One disadvantage of this method is, that the upper part of the divider with the resistors R_i is not loaded with the correct voltage $M_A \cdot U_{HV}$. This means, that the voltage dependency of the scale factor M_A is not determined and included in the analysis properly. For a completely traceable calibration of a HV divider, the voltage dependency of the scale factors has to be taken into account correctly⁸. In order to do so, we developed a novel ppm-precise absolute calibration method for HV dividers, which uses the low voltage equipment described above, elevated on a high-voltage potential.

3. Novel absolute calibration method

The basic idea of the novel absolute calibration method is to determine the voltage dependency of the scale factors of a HV divider by measuring a differential scale factor directly at high voltages with commercially available equipment. This is especially important for scale factors up to 100:1, since they are used in a step-up technique to calibrate higher scale factors (see section 2).

As defined in equation (1) the scale factor is the possibly voltage dependent factor between the input- and output voltage of a HV divider. For a given input voltage the corresponding output voltage can be approximated by a Taylor expansion around $U_{HV} = 0$:

$$U_{LV} = a \cdot U_{HV} + b \cdot U_{HV}^2 + c \cdot U_{HV}^3 + d \cdot U_{HV}^4 + \dots \quad (7)$$

⁸ As described above, the traceability of the single resistors is possible.

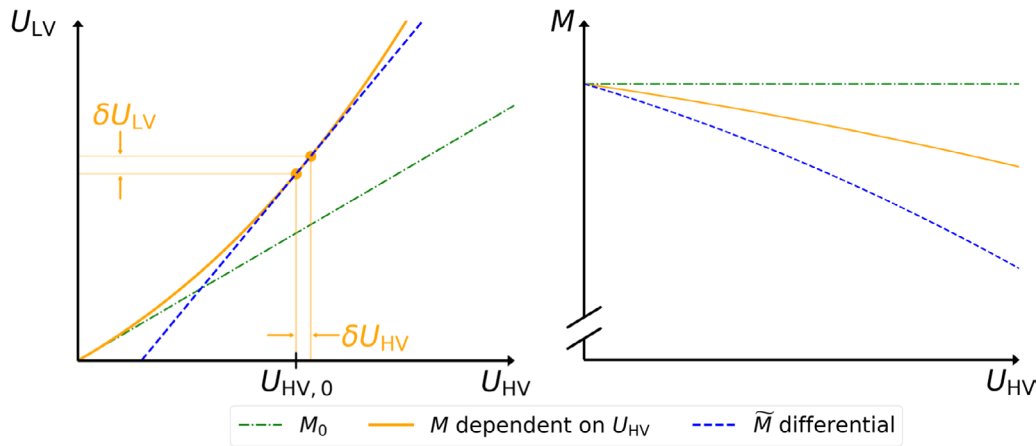


Figure 4. Illustration of scale factors as function of the input- and output voltages. Left: output voltage as function of input voltage. Right: scale factor as function of input voltage. A constant scale factor appears as a straight line. If the scale factor is dependent on the input voltage (see orange solid line), a deviation from the constant case is observed. For each input voltage U_{HV} , the differential scale factor is measured as a change of input- and output voltages. This is illustrated at the left at a certain input voltage $U_{HV,0}$. The differential scale factor \tilde{M} appears as slope of the line through the two points $U_{HV,0}$ and $U_{HV,0} + \delta U_{HV}$ (blue dashed line). M_0 notifies the scale factor derived at $U_{HV} \approx 0$ (green dash dotted line).

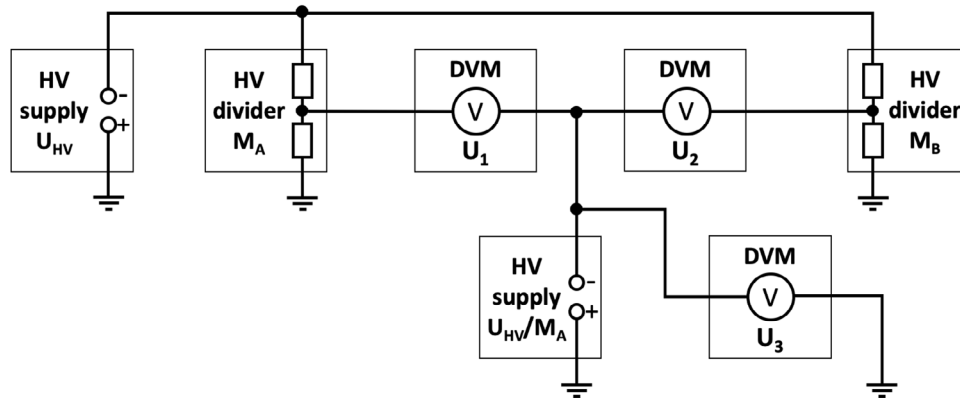


Figure 5. Connection scheme for the measurement of the ratio μ of the scale factors M_A and M_B . A HV U_{HV} is connected to both HV dividers and their output voltages are measured with two DVMs versus a counter voltage as a null volt measurement, which is monitored with a third DVM. The counter voltage labeled U_{HV}/M_A is adjusted such that $U_1 \approx 0$.

with the coefficients a , b , c and d (neglecting higher orders⁹). For the voltage independent case the parameters b , c and d are zero and a is the inverse of the constant part of the scale factor M_0 :

$$a = \frac{1}{M_0}. \quad (8)$$

For the realistic case of a voltage dependent scale factor we can derive from equation (1) and (7):

⁹The thermal heat scales with the electric power P , which scales with U^2 (see equation (2)). The precision resistors of the HV dividers K65 and G35 we used were bulk metal foil resistors which have a zero thermal coefficient at an optimal temperature T_0 . Therefore, the temperature dependence of each resistance near its optimal temperature is close to a quadratic curve. These two effects make a Taylor expansion to fourth power plausible. We expect the thermal control system of our HV dividers to give another reason for a non-linear behavior. In our measurements the Taylor approximation of second (fourth) order was sufficient for the K65 (G35) HV divider (see section 4). The higher orders necessary for the G35 HV divider reflect the fact, that for technical reasons it could not be operated at its optimal thermal point $T_0 = 8^\circ\text{C}$.

$$M = \frac{1}{a + b \cdot U_{HV} + c \cdot U_{HV}^2 + d \cdot U_{HV}^3}. \quad (9)$$

We define a differential scale factor \tilde{M} as the derivative of U_{HV} with respect to U_{LV} at U_{HV} :

$$\begin{aligned} \tilde{M} &= \left. \frac{\delta U_{HV}}{\delta U_{LV}} \right|_{U_{HV}} = \frac{1}{\left. \frac{\partial U_{LV}}{\partial U_{HV}} \right|_{U_{HV}}} \\ &= \frac{1}{a + 2 \cdot b \cdot U_{HV} + 3 \cdot c \cdot U_{HV}^2 + 4 \cdot d \cdot U_{HV}^3}. \end{aligned} \quad (10)$$

The measurement of \tilde{M} at U_{HV} is done with the following procedure: at certain input voltages we increase U_{HV} by a small amount of δU_{HV} and measure the change of the output voltage δU_{LV} . In the ideal case the voltage increase δU_{HV} is infinitesimal small in order to determine the slope of the scale factor curve at U_{HV} . However, due to technical limitations and because of the ambition to trace the voltage measurement back to a 10V reference, this is not possible. Hence, we increase the voltage by $\delta U_{HV} = 1 \text{ kV}$, which can be measured

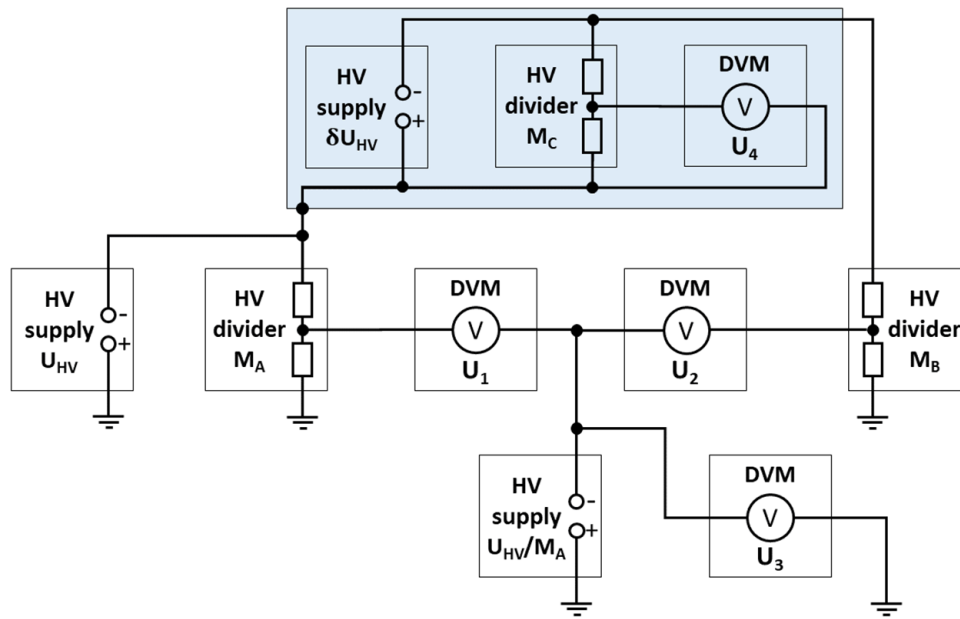


Figure 6. Connection scheme for differential scale factor measurement. On top of a high-voltage potential an additional calibration voltage is created, which is applied to the unit under test. The reference HV divider is unaffected by the calibration voltage. The devices in the blue shaded box are located in a HV cage and read out via an optical link.

with traceable equipment with ppm-precision. Therefore we assume, that the determined scale factor is valid for the input voltage $U_{HV} + \delta U_{HV}/2$. The two cases of the constant and voltage dependent scale factor are sketched in figure 4. Additionally \tilde{M} is illustrated for an exemplary input voltage $U_{HV,0}$. By measuring the differential scale factor for different input voltages the coefficients a, b, c and d can be determined and used to calculate the scale factor M for any given input voltage.

The measurement of \tilde{M} is split into two steps: figure 5 shows the experimental set-up for the first step. A high voltage U_{HV} is connected to the HV divider whose scale factor M_B is to be calibrated. Its output voltage U_2 is measured with a precision DVM versus a very stable counter voltage¹⁰ U_{HV}/M_A as a null volt measurement. By using a counter voltage instead of a measurement versus ground potential it is ensured, that the measured voltage is below 20V, which can be traced back to a 10V reference source. The counter voltage is either directly monitored with a third DVM¹¹ (U_3) or converted via a reference divider¹² into the 0 to 20V range. Additionally a second HV divider (M_A) is needed as reference for the unit under test, which is connected to the same HV source. The output voltage of the reference HV divider is also measured with a DVM (U_1) versus the counter voltage. In this measurement the ratio of the scale factors μ

$$\mu := \frac{M_A}{M_B} = \frac{U_2 + U_3}{U_1 + U_3} \approx 1 + \frac{U_2}{U_3} \quad (11)$$

can be determined applying Kirchhoff's circuit laws. The approximation on the right of equation (11) is only valid for $U_1 \approx 0$ and should only illustrate that μ does not require a

¹⁰ The ppm-stable counter voltage is provided by a Fluke Calibrator 5720A.

¹¹ Since U_3 has to be very stable but does not need to be known such precisely we monitored this voltage with a 6.5 digit DVM of type Fluke 8846A.

¹² For this purpose we used a Fluke reference divider of type 752A.

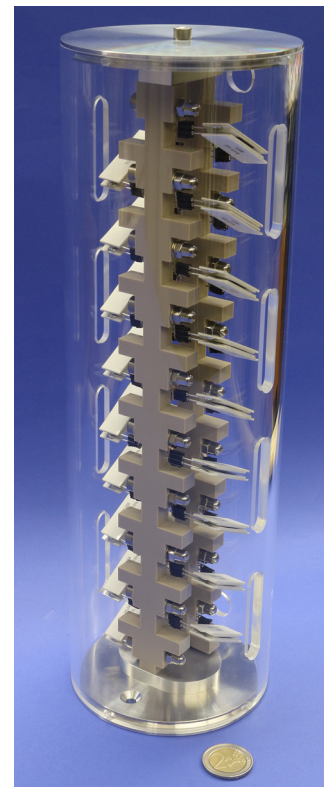


Figure 7. Picture of custom made HV divider consisting of two times 18 precision resistors (30×20 MΩ Caddock type USF 371 and 6×1 MΩ Caddock type USF 370) connected in series. The scale factor $M_A \approx 100$ has a relative uncertainty of about $1 \cdot 10^{-5}$.

precise determination of U_3 . This counter voltage is a key to achieve the ppm-precision for the novel absolute calibration method. The ratio μ can be measured with a short-term precision of the order of below 10^{-7} without knowing the single scale factors M_A and M_B , since it only depends on the

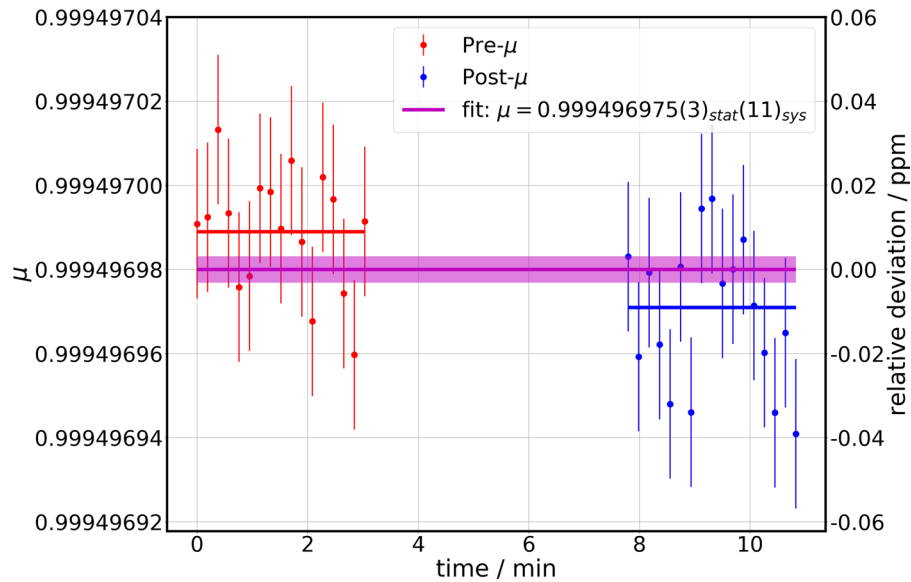


Figure 8. Exemplary measurement of the scale factor ratio μ of the unit under test and a reference HV divider measured at $U_{HV} = -18.6$ kV. As both scale factors are about 100:1, the ratio is close to one. The data has been fitted with a constant in order to determine the mean value. We did not use a polynomial of first order because of the smallness of the effect ($1 \cdot 10^{-8}$ level). Since for short time intervals only transfer uncertainties are known, which are valid for 20 min, we use the measured fluctuations in order to determine the statistical uncertainties for longer periods. Therefore the error bars are scaled such, that the quadratic deviation per number of degrees of freedom is equal to one ($\chi_r^2 = 1$). For the systematic uncertainties we determined the 24 h uncertainties of each DVM with a reference voltage source.

measured voltages $U_{1,2,3}$, which are determined with precision DVMs. Since both null volt measurements U_1 and U_2 are measured with the same counter voltage, both scale factors have to be of similar magnitude in order to not exceed the 20V range of the DVM.

In the second step the input voltage of the HV divider under test is increased by δU_{HV} , which is generated and measured on top of the HV potential U_{HV} (see figure 6). The input voltage of the reference HV divider stays constant as well as the counter voltage, any potential change would be detected by continuously measuring U_1 and U_3 . The DVM, which is used to measure the output voltage of the divider under test, will measure a voltage increase of $\delta U_{HV} / \tilde{M}_B$. For this as well as for all other used DVMs the measurement range has been kept fixed during the whole calibration procedure in order to avoid a change of input resistances and leakage currents.

According to Kirchhoff's circuit- and Ohm's laws the differential scale factor is given by

$$\tilde{M}_B = \frac{U_1 \cdot M_A + U_4 \cdot M_C}{U_2 + (1 - \mu) \cdot U_3}. \quad (12)$$

As denoted in equation (12) the scale factor of the reference HV divider M_A is needed to calculate \tilde{M}_B . However, the term $U_1 \cdot M_A$ is close to zero since U_1 is a null volt measurement against the stable counter voltage adjusted to $U_1 \approx 0$. Hence, the dominant factor of the numerator is $U_4 \cdot M_C$, which means, that the absolute value of M_A needs to be stable but does not have to be known precisely in order to calibrate the unit under test to the ppm-level. The measurements, which are presented in the next section, showed, that an uncertainty of up to $1 \cdot 10^{-4}$ can be allowed for M_A , without changing the calibration result for M_B on the $1 \cdot 10^{-7}$ level. Secondly, the

uncertainty of U_3 is not important since the ratio of the scale factors μ is close to 1. Therefore U_2 and its uncertainty are dominating the denominator for the determination of \tilde{M}_B .

4. Calibration results for 100:1 scale factor

During a measurement campaign in early 2018 numerous calibrations of different HV dividers have been performed. The main goal was to check the reproducibility and long-term stability of the newly developed absolute calibration method as well as its capability to measure the voltage dependency of scale factors. The measurements were performed with two ppm-precise HV dividers K65 [14] and G35 [15], which were also used as reference mutually to crosscheck the results. In addition we built a HV divider with precision resistors [16] with a scale factor $M_A \approx 100 : 1$ and a relative uncertainty of in the order of $1 \cdot 10^{-5}$, which was used as reference unit (see figure 7). Commercial HV dividers¹³ were used to measure the calibration voltage δU_{HV} up to 1 kV. The voltage measurements were performed with 8.5 digit precision DVM¹⁴. Our HV source U_{HV} and HV divider G35 were limited to 35 kV.

As described in section 3 the stability of the ratio-measurement of the scale factors has been investigated. In order to account for the warm-up behavior of the HV dividers, after applying the HV the measurements were not started immediately, but after about 30 min.

Figure 8 shows a single μ determination run consisting of 17 measurements before and 17 measurements after the

¹³ We used Fluke 752A reference dividers, which were calibrated on each measurement day before the novel calibration procedure.

¹⁴ For measuring U_1 , U_2 and U_4 we used the devices Fluke 8508A, Agilent 3458A and Keysight 3458A. The less critical voltage U_3 was monitored with a 6.5 digit DVM of type Fluke 8846A.

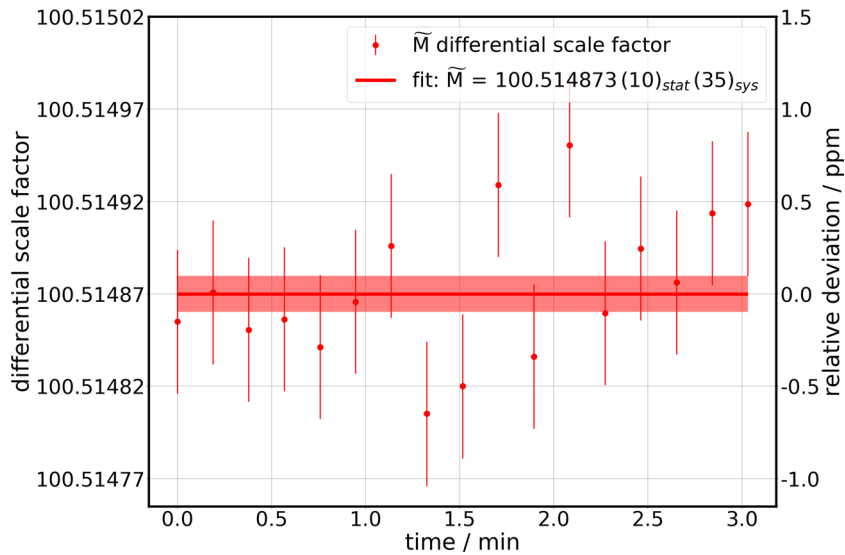


Figure 9. Exemplary measurement of differential scale factor determined with the newly developed absolute calibration method measured at $U_{HV} = -18.6$ kV. The data has been fit with a constant in order to determine the mean value. Since for short time intervals only transfer uncertainties are known, which are valid for 20 min, we use the measured fluctuations in order to determine the statistical uncertainties for longer periods. Therefore the error bars are scaled such, that the quadratic deviation per number of degrees of freedom is equal to one ($\chi_r^2 = 1$). For the systematic uncertainties we determined the 24h uncertainties of each DVM with a reference voltage source.

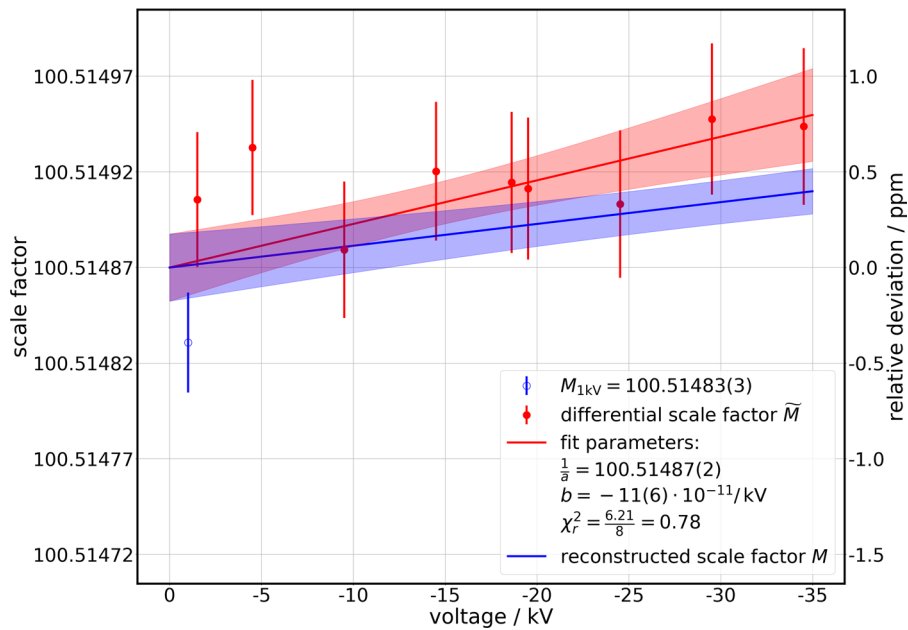


Figure 10. Voltage dependency of the K65 100:1 scale factor determined with the newly developed absolute calibration method. The differential scale factors \tilde{M} measured at different voltages (red points) and the low voltage scale factor M_{1kV} (blue point) are fitted with a polynomial of first order (red line). The error-bars include the statistical and systematic uncertainties. The obtained coefficients are used to calculate the real scale factor M for a voltage range from 0 to 35kV (blue line).

determination of the differential scale factor \tilde{M}_B . In order to determine its mean value, which according to equation (12) is needed to calculate the differential scale factor, the data has been fitted with a constant. As described in the previous section the ratio can be determined without knowing the individual scale factors of both dividers with relative uncertainties smaller than $1 \cdot 10^{-7}$. Subsequently, \tilde{M}_B has been measured according to figure 6. Here the measurement was directly started after δU_{HV} was applied, since the increase of 1kV is considered to be small compared to the absolute applied

voltage and the additional thermal heating is expected to be negligible.

The differential scale factor was derived with equation (12), including the calculated mean μ -value determined directly before and after the calibration measurement. Figure 9 shows a single measurement of the differential scale factor. The standard deviation is below $5 \cdot 10^{-7}$. The differential scale factor, always together with the ratio μ , has been measured multiple times each day during the calibration campaign at different voltages. They agreed very well within uncertainties.

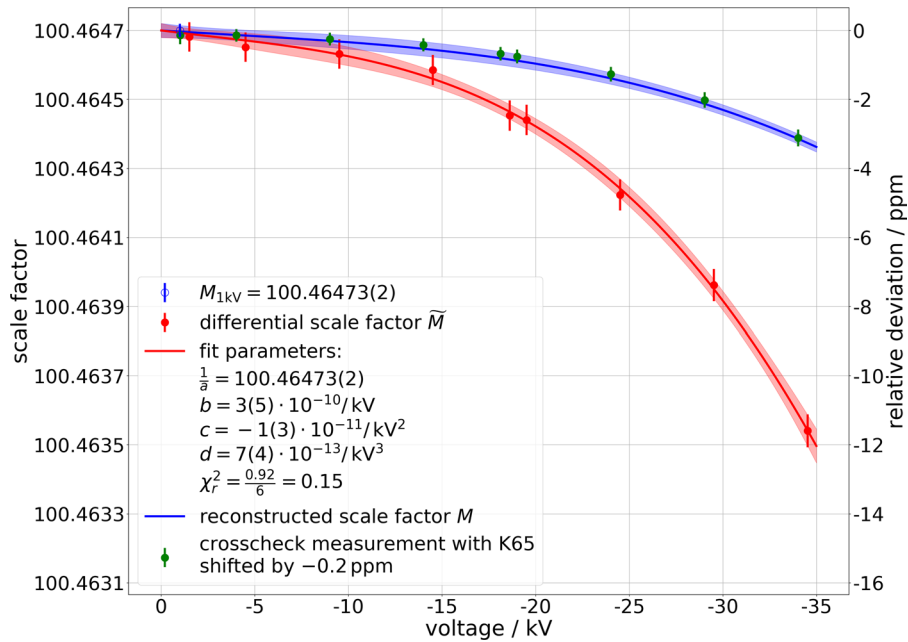


Figure 11. Voltage dependency of the G35 100:1 scale factor determined with the newly developed absolute calibration method. The differential scale factors \tilde{M} measured at different voltages (red points) and the low voltage scale factor $M_{1\text{ kV}}$ (blue point) are fitted with a polynomial of third order (red line). The error-bars include the statistical and systematic uncertainties. The obtained coefficients are used to calculate the real scale factor M for a voltage range from 0 to 35 kV (blue line). In order to verify the result for the G35, the K65 was used to crosscheck the voltage dependency more than two months later (green points). Note that all green datapoints are shifted by $-2 \cdot 10^{-7}$ in y direction (see text).

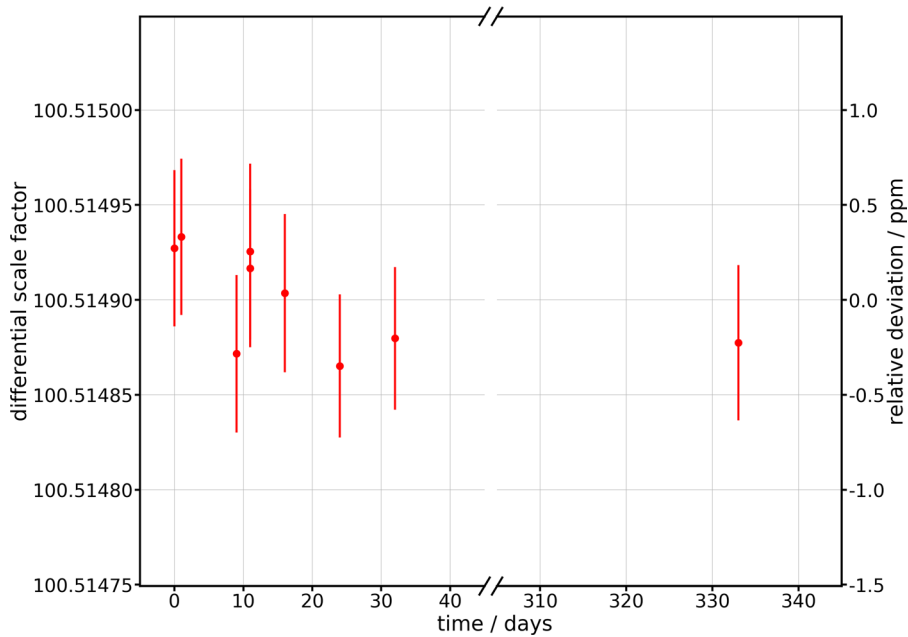


Figure 12. Differential scale factor \tilde{M} of the K65 measured at a voltage of $U_{\text{HV}} = -18.6$ kV. The error-bars include the statistical and systematic uncertainties. Over a time period 333 d all measurements of the differential scale factor show a scattering below $5 \cdot 10^{-7}$.

In order to derive the real scale factor M_B from \tilde{M}_B we measured the differential scale factor for different voltages up to 35 kV (see figure 10 and 11) and fitted the data¹⁵ according to equation (10) to obtain the coefficients a , b , c and d . We also included the low voltage calibration values measured as

described in section 2 (see set-up in figure 2) into the analysis. Since in that measurements the real scale factor is determined, we used a combined fit to describe all data points¹⁶. Subsequently M_B is calculated using equation (9). For the K65

¹⁵ The data was fitted with MINUIT [17]

¹⁶ The fit function is a sum of equations (9) for the data point obtained with the low voltage calibration measurement and (10) for the data points of the differential scale factor determination.

Table 1. Estimated uncertainty budget for the systematic uncertainty of the differential scale factor with most important contributions (shown for an exemplary measurement). For all parameter values p we considered a Gaussian distribution (1σ) for the uncertainty Δp (see section 4 for details about the used devices and their uncertainties). The contribution of each parameter is the product of the sensitivity coefficient ($\frac{\partial \tilde{M}}{\partial p}$) and Δp . The relative importance of each contribution is calculated by $\frac{(\frac{\partial \tilde{M}}{\partial p} \cdot \Delta p)^2}{(\Delta M_{\text{tot}})^2}$.

Parameter	Value p	abs. uncertainty	Unit	Sensitivity coeff.	Contribution	rel. importance (%)
M_C HV divider (see figure 6)	100.000000	0.000017		1.01	0.000017	22.59
U_4 DVM (cal. with 10V)	-10.0000928	0.0000012	V	10.05	0.000012	11.32
U_4 DVM (\tilde{M} , see figure 6)	-10.0027489	0.0000012	V	-10.05	-0.000012	11.32
U_2 DVM (μ , see figure 5)	0.0935306	0.0000011	V	-10.10	-0.000012	10.67
U_2 DVM (\tilde{M} , see figure 6)	-9.8580844	0.0000011	V	10.10	0.000012	10.67
U_2 DVM (cal. offset)	-0.0000067	0.0000011	V	10.05	0.000011	10.57
U_2 DVM (cal. with 10V)	-10.0000948	0.0000011	V	-10.05	-0.000011	10.57
Other uncertainties					0.000012	12.28
Total uncertainty	100.514876	0.000035				100

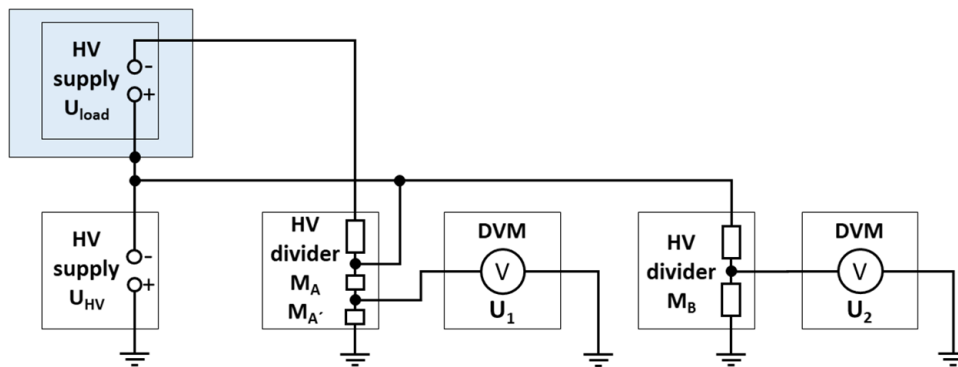


Figure 13. Connection scheme for the corrected determination of M'_A . The input voltage U_{HV} is connected to the scale factor output M_A of the unit under test. The upper part of the HV divider with the resistors R_i is loaded with the voltage $U_{load} = U_{HV} \cdot M_A$ created by an additional HV supply, which is operated on the potential of U_{HV} in a HV cage. A second HV divider with the well known scale factor M_B is used to determine U_{HV} .

HV divider a negligible linearity below $1 \cdot 10^{-6}$ over the whole input range was observed, which is within the uncertainties in agreement with former calibration measurements at PTB [14]. Here a linear voltage dependency ($c = 0 = d$) was assumed for the fit, as indicated by χ^2 -studies of higher orders.

The scale factor M_B derived this way for the G35 HV divider showed deviations of up to $3.3 \cdot 10^{-6}$ at -35 kV compared to the low voltage scale factor $M_{1 \text{ kV}}$. We cross-checked this by comparing the scale factor M_B of G35 with the one measured directly with the help of K65 using a set-up as shown in figure 2 two months later. Thus, we could confirm the result obtained for the linearity measurement with the novel absolute calibration method. To get an excellent agreement the absolute value of the scale factor required a constant offset of $-2 \cdot 10^{-7}$ over the full range of -35 kV. This shift exceeds the combined short-term uncertainties (voltage dependent, average about $1 \cdot 10^{-7}$) for the real scale factor. However, we consider an additional relative uncertainty of $\pm 5 \cdot 10^{-7}$ for the absolute value of the scale factor to be realistic, since all previous low voltage- and high-voltage measurements showed this level of uncertainty, when repeated later on a time scale of weeks or months. Therefore it is reasonable to shift data points of measurements with a significant time difference (here more than 2 months for the comparison

shown in figure 11) with a constant offset, in order to check the voltage dependency. For future HV measurements with the G35 the ppm-precise voltage-dependent scale factor obtained with the presented work in this article can be used considering the corresponding uncertainties.

We investigated also the long term stability of \tilde{M} . Figure 12 shows the differential scale factor of the K65 HV divider measured over a time period of about 330 d. The scattering of the determined values of \tilde{M} is below $\pm 5 \cdot 10^{-7}$. Compared to the stability of the K65 of $2 \cdot 10^{-8}$ per month determined at PTB in 2011 (for the 100:1 scale factor), the results obtained with the newly developed absolute calibration technique are in good agreement, confirming the general principle and functionality of this method.

Our estimated uncertainty budget for the differential scale factor is shown in table 1. The overall relative uncertainties of about $4 \cdot 10^{-7}$ are mainly dominated by the two devices, which are operated on the HV potential (about 50%): the 1 kV reference divider and the corresponding DVM. Accordingly their calibration before the measurement is of crucial importance. Furthermore at this level of precision also the resistances of the cabling becomes relevant. Especially on the HV side of the set-up cable resistances, which can be in the order of 1Ω , can influence the calibration result when they are not

included in the analysis¹⁷. Finally, as described above, an additional uncertainty of about $5 \cdot 10^{-7}$ for the absolute value of the scale factor has to be assumed.

5. Calibration of higher scale factors

For the calibration of scale factors $M_{A'} > 100 : 1$ the procedure similar to the one described in figure 3 can be used, but to load the resistors R_i correctly, the corresponding HV is additionally given to the input of the HV divider under calibration using a HV cage (see figure 13). The wanted scale factor $M_{A'}$ can be calculated according to equation (6). The critical scale factor $M_A \leq 100$ is determined with the novel absolute calibration method. Thus, the issues regarding traceability and the previously neglected voltage dependencies of M_A and M'_A vanish.

6. Conclusion

Precision measurements of DC high voltages are important for different applications in fundamental research and applied sciences. In order to measure HV to the ppm-level precision HV dividers are used to scale the voltage into ranges below 20V, where they can be compared to voltage references traceable to natural standards at metrology institutes. The scale factors of HV dividers usually are voltage- and time dependent and have to be calibrated regularly. Former calibration methods could only consider this by extrapolating the voltage dependency of individual resistors. In this work we presented a newly developed absolute calibration method for HV dividers, which overcomes this issues and allows a traceable calibration by determining a differential scale factor measured directly at high voltages. We have shown that the systematic uncertainty is in the order of less than $1 \cdot 10^{-6}$. This method can be performed with commercially available equipment and therefore is not restricted to metrology institutes, but offers measurements of linearities of HV dividers with ppm-precision for a wide range of applications. A comparison of this work and other, recently developed calibration techniques is given in [18].

There are also investigations to apply this method in order to measure the linearity behaviour of precision compressed gas HV capacitors.

¹⁷The used reference HV divider Fluke 752A has an input resistance of 2 M Ω . This means, that a cable resistance in the order of 1 Ω can influence the calibration result on the ppm-level. However, this is more important for the low voltage calibration described in section 2, since the effect nearly cancels out in the two steps of the differential scale factor measurement of the novel absolute calibration method.

Acknowledgments

This work was supported by Ministry for Education and Research BMBF (05A14PMA and 05A17PM3). We would like to express our special thanks to R Zirpel and C Rohrig of PTB for the calibration of our 10V reference sources. We gratefully acknowledge the support from C Huhmann and H-W Ortjohann of the Institut für Kernphysik at Münster University during the set-up and commissioning of the HV cage and G35 HV divider.

ORCID iDs

S Bauer  <https://orcid.org/0000-0001-6242-2223>

References

- [1] Drexlin G, Hannen V, Mertens S and Weinheimer C 2013 *Adv. High Energy Phys.* **2013** 293986
- [2] Ullmann J et al 2017 *Nat. Commun.* **8** 15484
- [3] Andersen A D 2014 *Environ. Innov. Societal Transit.* **13** 75
- [4] Teichler S L and Levitine I 2010 *Electr. J.* **23** 27
- [5] Humpert C 2012 *Energy* **48** 278 (6th Dubrovnik Conf. on Sustainable Development of Energy Water and Environmental Systems)
- [6] Pierri E, Binder O, Hemdan N G and Kurrat M 2017 *Renew. Sustain. Energy Rev.* **70** 427
- [7] Vestergaard O 2010 *IET Conf. Proc.* p 31 (<https://digital-library.theiet.org/content/conferences/10.1049/cp.2010.0970>)
- [8] Behr R, Kieler O, Kohlmann J, Müller F and Palafox L 2012 *Meas. Sci. Technol.* **23** 124002
- [9] Marx R 2001 *IEEE Trans. Instrum. Meas.* **50** 426
- [10] Krämer J et al 2018 *Metrologia* **55** 268
- [11] Arenz M et al 2018 *Eur. Phys. J. C* **78** 368
- [12] *Hermetically Sealed High Precision Bulk Metal Foil Technology Resistors* (Holon: VISHAY)
- [13] Thümmeler T, Marx R and Weinheimer C 2009 *New J. Phys.* **11** 103007
- [14] Bauer S, Berendes R, Hochschulz F, Ortjohann H W, Rosendahl S, Thümmeler T, Schmidt M and Weinheimer C 2013 *J. Instrum.* **8** P10026
- [15] Rest O, Hannen V, Winzen D and Weinheimer C 2019 *Lecture Notes in Electrical Engineering* (Berlin: Springer) accepted
- [16] Caddock Electronics, Inc. 2017 *Type USF Ultra-Stable Low TC Film Resistors 200 Series, 300 Series* (www.caddock.com/Online_catalog/Mrktg_Lit/TypeUSF.pdf)
- [17] James F 1994 *MINUIT—Function Minimization and Error Analysis* (Geneva: CERN)
- [18] Meisner J, Passon S, Elg A P, König K, Krämer J, Nörtershäuser W, Rest O, Weinheimer C and Winzen D 2019 *Lecture Notes in Electrical Engineering* (Berlin: Springer) accepted