

8-6-2019

Stalk cutter device

Trenton L. Roberts
University of Arkansas, Fayetteville

Chester Eugene Greub
University of Arkansas, Fayetteville, cgreub@uark.edu

Follow this and additional works at: <https://scholarworks.uark.edu/pat>

Citation

Roberts, T. L., & Greub, C. E. (2019). Stalk cutter device. *Patents Granted*. Retrieved from <https://scholarworks.uark.edu/pat/359>

This Patent is brought to you for free and open access by ScholarWorks@UARK. It has been accepted for inclusion in Patents Granted by an authorized administrator of ScholarWorks@UARK. For more information, please contact scholar@uark.edu.



US00D855422S

(12) **United States Design Patent**
Roberts et al.

(10) **Patent No.:** **US D855,422 S**
(45) **Date of Patent:** **** Aug. 6, 2019**

- (54) **STALK CUTTER DEVICE**
- (71) Applicant: **Board of Trustees of the University of Arkansas**, Little Rock, AR (US)
- (72) Inventors: **Trenton Lee Roberts**, Fayetteville, AR (US); **Chester Eugene Greub**, Gower, MO (US)
- (73) Assignee: **Board of Trustees of the University of Arkansas**, Little Rock, AR (US)

1,012,918 A * 12/1911 Roelants B23D 29/023
30/226
2,747,578 A * 5/1956 Karlsson A01D 45/10
460/137
D251,232 S * 3/1979 Yamamoto 30/226
4,188,718 A * 2/1980 Vredenburg, Sr. A01G 3/00
30/121

(Continued)

Primary Examiner — Sandra S Snapp
Assistant Examiner — Ieisha N Price
(74) *Attorney, Agent, or Firm* — Crowe & Dunlevy, P.C.

(**) Term: **15 Years**

(21) Appl. No.: **29/641,440**

(22) Filed: **Mar. 22, 2018**

Related U.S. Application Data

(63) Continuation of application No. 14/987,969, filed on Jan. 5, 2016, now Pat. No. 9,936,633.

(60) Provisional application No. 62/109,917, filed on Jan. 30, 2015.

(51) **LOC (12) Cl.** **08-01**

(52) **U.S. Cl.**

USPC **D8/5**

(58) **Field of Classification Search**

USPC D8/1, 4, 52, 54, 55, 56, 105, 107
CPC B26B 13/00; B26B 13/12; B26B 13/14;
B26B 13/16; B26B 13/20; B26B 13/26;
B26B 17/00; B25G 1/10; A01G 3/00;
A01G 3/02; A01G 3/021; A01G 3/025;
A01G 3/0251; A01G 3/0475; A01D 1/00;
A01D 1/14

See application file for complete search history.

(56) **References Cited**

U.S. PATENT DOCUMENTS

32,827 A * 7/1861 Erans A01G 3/025
30/245
390,166 A * 9/1888 Hall A01G 3/025
30/245

(57) **CLAIM**

The ornamental design for a stalk cutter device, as shown and described.

DESCRIPTION

FIG. 1 is a perspective view of a stalk cutter device showing the design in use in an open position.

FIG. 2 is a perspective view of the stalk cutter device shown in a closed position.

FIG. 3 is a side elevation view of the stalk cutter device, and the opposite side view is a mirror image thereof;

FIG. 4 is a top plan view of the stalk cutter device;

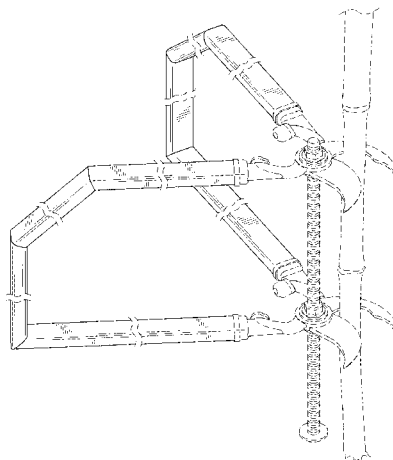
FIG. 5 is a bottom plan view of the stalk cutter device;

FIG. 6 is a front elevation view of the stalk cutter device; and,

FIG. 7 is a rear elevation view of the stalk cutter device.

The ornamental design which is claimed is shown in solid lines in the drawings. The broken lines shown in the figures represent portions of the stalk cutter device that form no part of the claimed design. The broken line showing of the stalk in FIGS. 1 and 2 illustrates the environment of the claimed design and forms no part thereof. The claimed design is shown with a symbolic break in its length. The appearance of any portion of the article between the break lines forms no part of the claimed design.

1 Claim, 5 Drawing Sheets



(56)

References Cited

U.S. PATENT DOCUMENTS

4,236,308 A * 12/1980 Vredenburg, Sr. A01G 3/00
30/121
5,600,891 A * 2/1997 Orgal B26B 13/00
30/226
D813,620 S * 3/2018 Janson D8/5
2013/0047442 A1* 2/2013 Wu A01G 3/0251
30/260
2016/0219785 A1* 8/2016 Roberts A01D 1/00
2017/0086384 A1* 3/2017 Wang A01G 3/0251

* cited by examiner

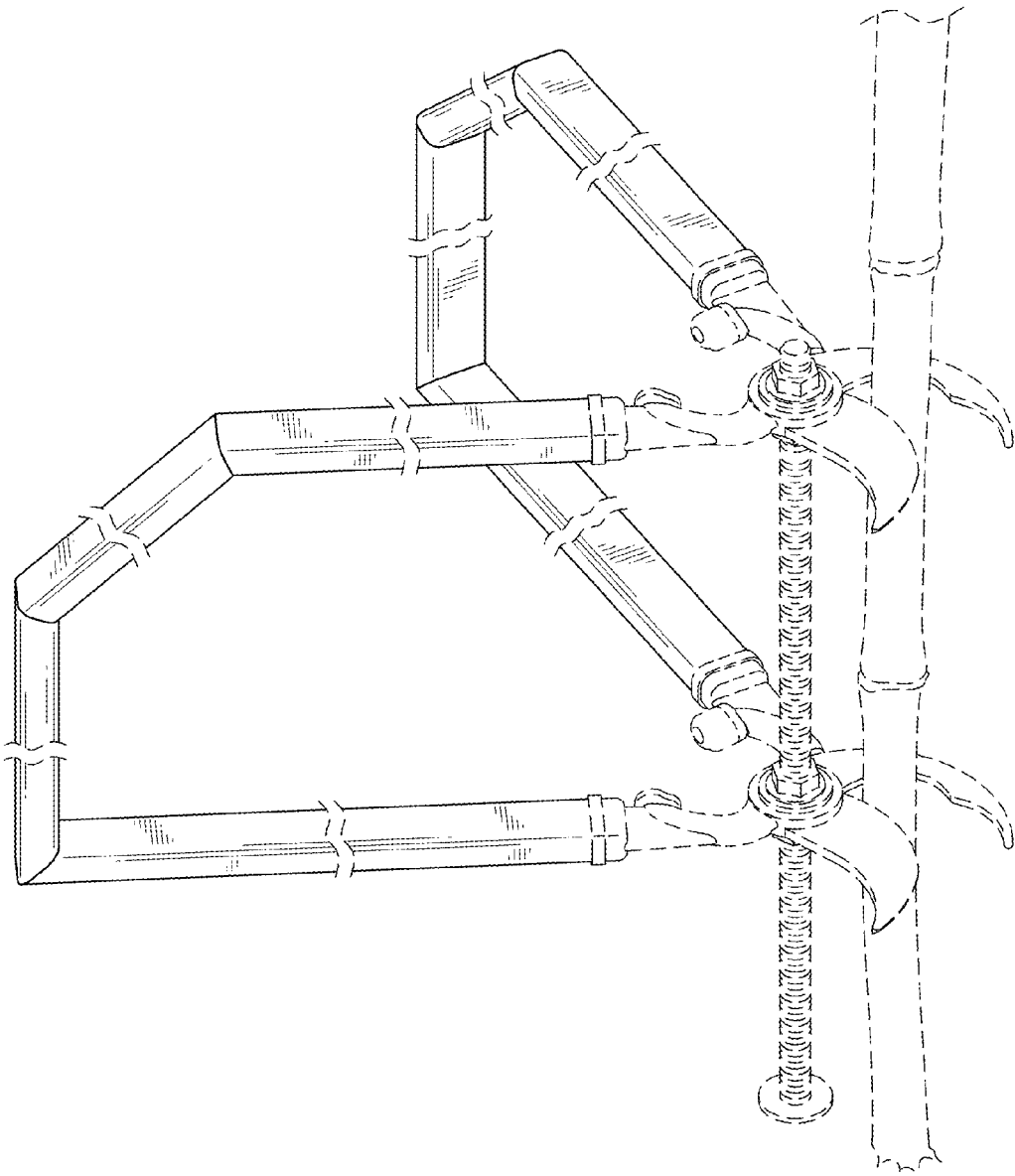


FIG. 1

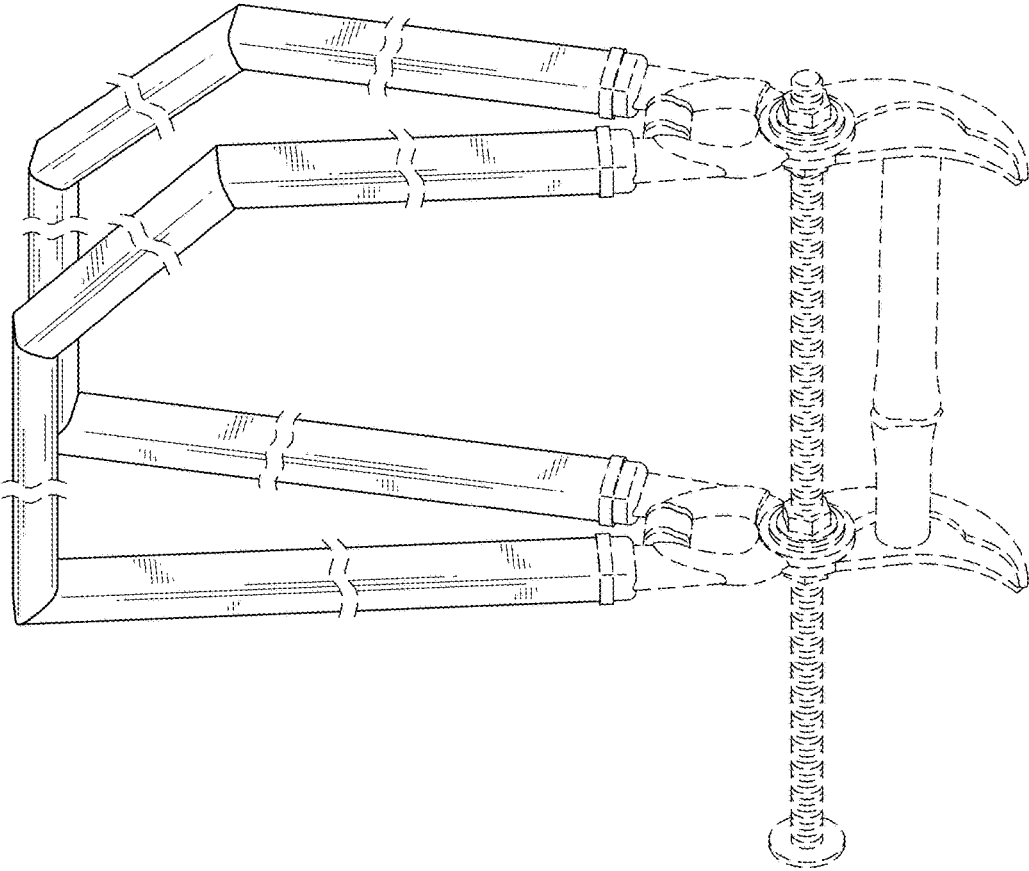


FIG. 2

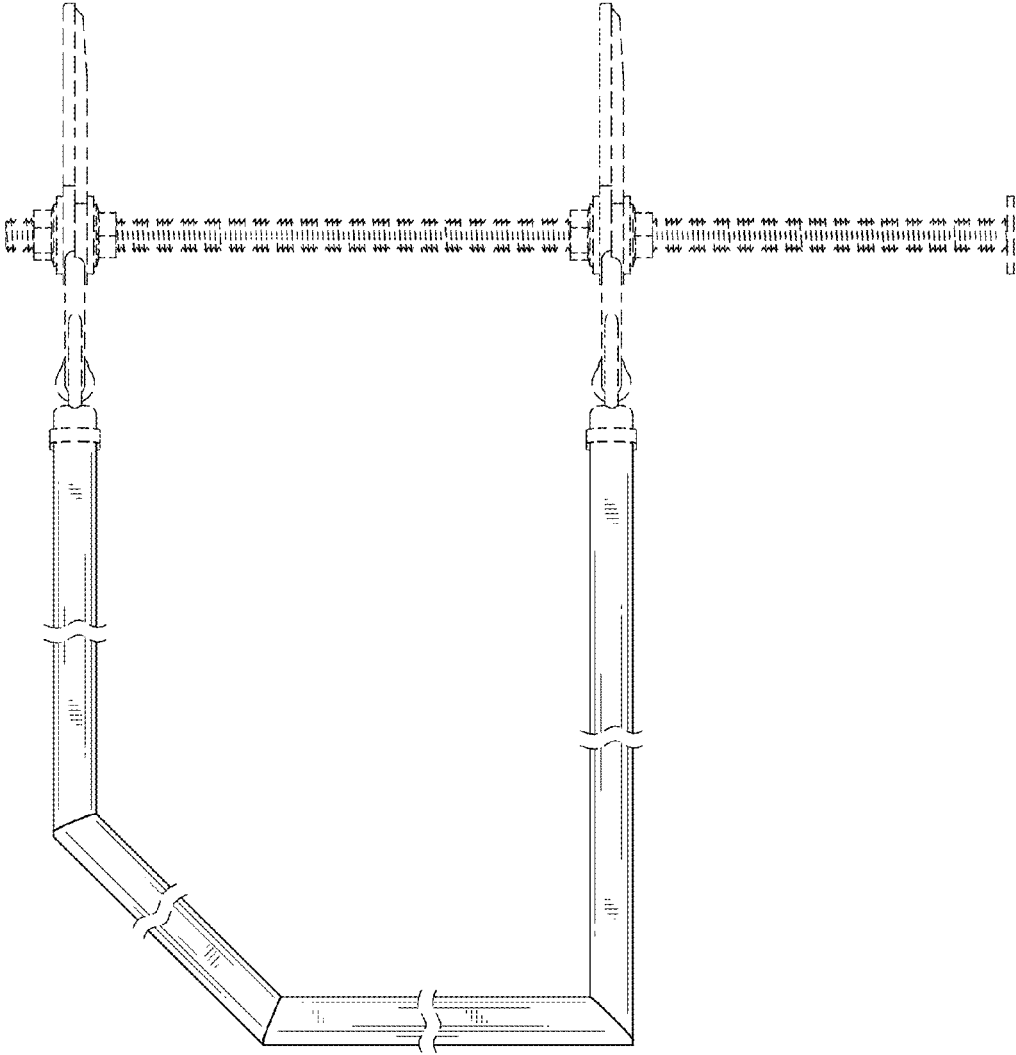


FIG. 3

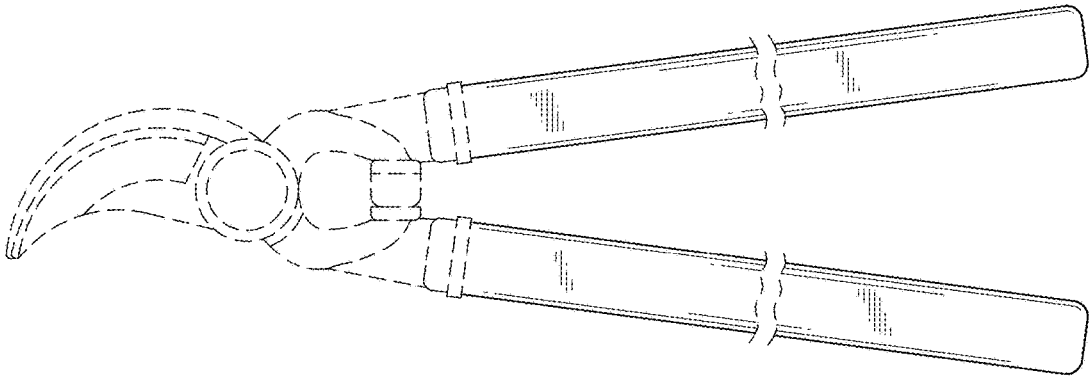


FIG. 5

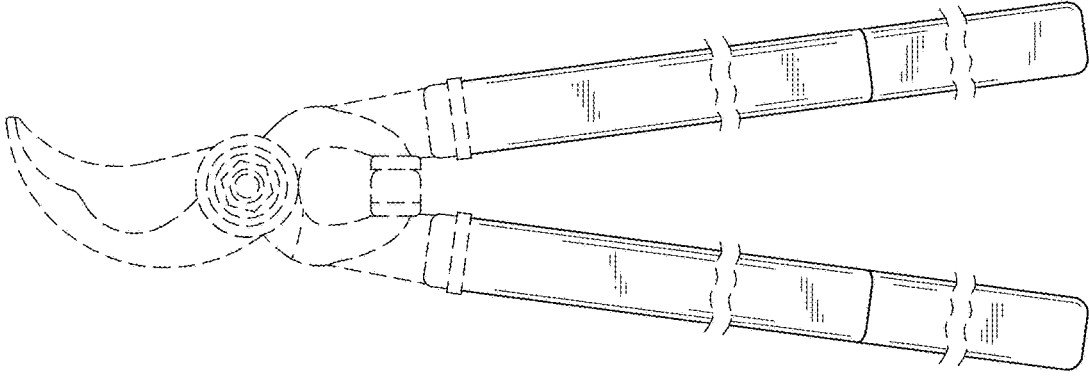


FIG. 4

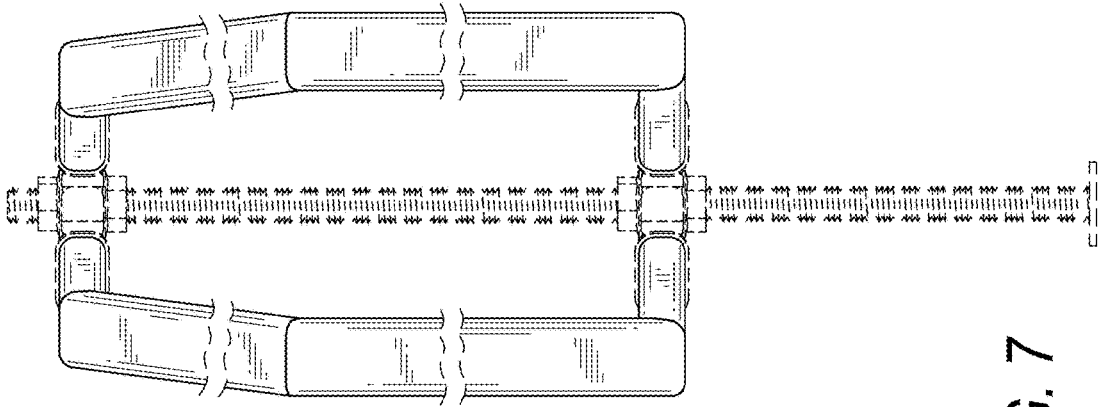


FIG. 7

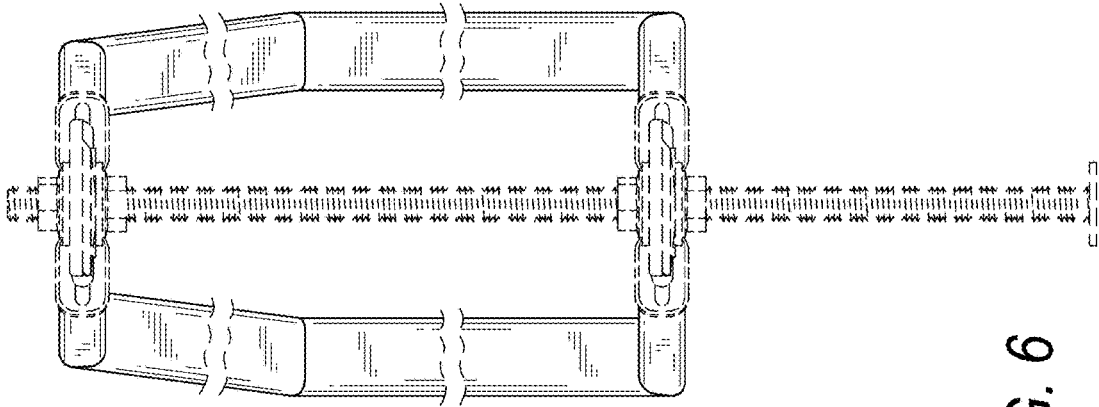


FIG. 6