



DIFFUSELY ADHERING *ESCHERICHIA COLI*

Michał Turniak, Beata Sobieszkańska*

Department of Microbiology, Wrocław Medical University, Wrocław, Poland

Received in January, accepted in March 2019

Abstract: Diffusely adhering *E. coli* strains (DAEC) is one of the seven pathovars of pathogenic *E. coli* causing intestinal infections in humans. DAEC is a diverse group of strains producing fimbrial or afimbrial adhesins that are responsible for their pathogenicity specific diffuse adherence pattern for epithelial cells. DAEC isolates are detected not only in humans, but also in various groups of animals (dogs, calves, cattle, poultry, pigs). A large variation in the genes that encode the adhesins contributes to the omission of DAEC in the routine diagnosis of gastrointestinal and urinary tract infections.

1. Introduction. 2. The Afa/Dr family of adhesins. 3. The division of DAEC strains. 4. Other virulence factors of DAEC. 5. The pathogenicity of DAEC. 5.1. Urinary tract infections. 5.2. Gastrointestinal tract infections. 6. Immunological response in DAEC infections. 7. The pathomechanism of infections caused by DAEC. 7.1. The internalization of DAEC. 8. The epidemiology of DAEC. 9. Diagnosis. 10. Summary

ESCHERICHIA COLI O ROZSIANYM TYPIE ADHEZJI

Streszczenie: Dyfuzyjno-adherentne szczepy *Escherichia coli* (DAEC) są jednym z siedmiu chorobotwórczych patowarów odpowiedzialnych za zakażenia przewodu pokarmowego u ludzi. DAEC są zróżnicowaną grupą szczepów, wytwarzających liczne adhezyny fimbrialne i afimbrialne, które warunkują chorobotwórczość tych szczepów *E. coli* oraz ich specyficzny, rozsiany typ adhezji do komórek nabłonka. Izolaty DAEC są wykrywane nie tylko u ludzi, ale także u różnych grup zwierząt (psów, cieląt, bydła, drobiu, świń). Duże zróżnicowanie genów kodujących adhezyny utrudnia wykrywanie zakażeń wywołanych przez DAEC, co przyczynia się do pomijania tych patogenów w rutynowej diagnostyce zakażeń przewodu pokarmowego i moczowego.

1. Wprowadzenie. 2. Rodzina adhezyn Afa/Dr. 3. Podział szczepów DAEC. 4. Inne czynniki wirulencji DAEC. 5. Chorobotwórczość DAEC. 5.1. Zakażenia układu moczowego. 5.2. Zakażenia przewodu pokarmowego. 6. Odpowiedź immunologiczna z zakażeniami DAEC. 7. Patomechanizm zakażeń DAEC. 7.1. Internalizacja DAEC. 8. Epidemiologia zakażeń szczepami DAEC. 9. Diagnostyka. 10. Podsumowanie

Key words: diffusely adhering *E. coli*, DAEC, *afa/dr/daa* operons, diarrhea, urinary tract infections

Słowa kluczowe: dyfuzyjno-adherentne *E. coli*, DAEC, operony *afa/dr/daa*, biegunka, zakażenia układu moczowego

1. Introduction

Escherichia coli is a facultative anaerobe that is part of the human colon's microbiota. This organism colonizes the intestines of newborns as early as in the first hours of their life. Most *E. coli* rods are harmless and its presence is limited to the digestive tract. Nevertheless, in weakened people, patients suffering from immunosuppression and as a result of damage to the intestinal epithelial layer, even these non-pathogenic strains of *E. coli* may cause extraintestinal infections in humans, e.g. infections of the urinary tract, blood, wounds and other. In addition to the non-pathogenic strains of *E. coli* that colonize the human intestine, a large group of strains is pathogenic to humans and animals [18, 61]. Pathogenic *E. coli* rods include strains associated with infections of the digestive tract, as well as strains which cause extraintestinal infections. *E. coli* strains responsible for intestinal infections are divided into the follow-

ing pathovars depending on the virulence factors they generate: enteropathogenic *E. coli* (EPEC), Shiga toxin-producing *E. coli* (STEC) along with the subgroup of enterohemorrhagic *E. coli* (EHEC), enteroinvasive *E. coli* (EIEC), enteroaggregative *E. coli* (EAEC), enterotoxigenic *E. coli* (ETEC), adherent-invasive *E. coli* (AIEC) and diffusely-adherent *E. coli* (DAEC). Those *E. coli* strains that cause extraintestinal infections (ExPEC; Extraintestinal Pathogenic *Escherichia coli*), comprise uropathogenic *E. coli* strains (UPEC; Uropathogenic *Escherichia coli*) responsible for urinary tract infections, as well as such *E. coli* strains (NMEC; Neonatal Meningitis *Escherichia coli*) that have a K1 capsule and cause meningitis in newborns [20, 38].

DEAC strains are an extremely heterogeneous group of potentially pathogenic *E. coli*, which are characterized by their diffuse adherence to epithelial cells, regardless of the type of adhesins produced from the Afa/Dr family of adhesins (Fig. 1).

* Corresponding author: Beata Sobieszkańska, Department of Microbiology, Wrocław Medical University, 50-368 Wrocław, Chalubinskiego 4 Street, Poland; e-mail: bmsobie@gmail.com

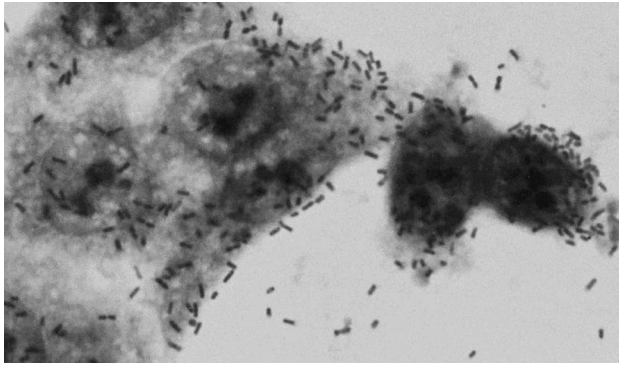


Fig. 1. Diffuse adherence to a human laryngeal carcinoma HEP-2 cells. Giemsa stain. Magnification 100x.

2. The Afa/Dr family of adhesins

The Afa/Dr family of adhesins includes fimbrial adhesins, specific for the DAEC pathotype, i.e. Dr and F1845 fimbriae, as well as adhesins related to adhesins specific for the EAEC pathotype, i.e. AAF-I, AAF-II, AAF-III and HdaA fimbriae, in addition to non-fimbrial adhesins (AfaE-I, AfaE-22, AfaE-III, AfaE-V, AfaE-VII, AfaE-VIII, Dr-II and NFA-1) (Tab. I) [63, 76, 77]. The AfaE-VII adhesin is present in DAEC strains isolated from cattle, while AfaE-VIII, in strains isolated from humans and animals. In turn, the AAF-I, AAF-II and AAF-III aggregative fimbriae typical of the EAEC pathovar constitute distantly related adhesins from the Afa/Dr family. The receptor for many Afa/Dr adhesins is hDAF (CD55) (human Decay-Accelerating Factor). Furthermore, the AfaE-III, Dr and F1845 adhesins bind to human carcinoembryogenic antigens hCEACAM-1 and hCEACAM-6 (human Carcinoembryogenic Antigen related Cell Adherence Molecules), as well as CEA

(Carcinoembryogenic Antigen) which is also a receptor for the NFA-1 adhesin. In addition, the Dr adhesin binds to type IV collagen. Meanwhile, the receptor of the AfaE-VIII adhesin remains unknown [51] (Fig. 2).

The operons encoding the Afa, Dr and F1845 adhesins, i.e. the *afa*, *dra* and *daa* operons, have a similar genetic organization and consist of at least five genes (*a-d*), conservative in the Afa/Dr family of adhesins which encode chaperone proteins and the variable *afaE* gene which encodes the AfaE structural adhesive protein [76]. Thus far, only the AfaE-I, AfaE-III, Dr, Dr-II and F1845 adhesins have been studied thoroughly in terms of their genetic organization, identified receptors and the pathogenesis in humans.

AfaE-I is an afimbrial adhesin of typical DAEC strains which was first described in the K552 *E. coli* strain, isolated from a urinary tract infection case. AfaE-I is also present in DAEC strains responsible for diarrhoea. This adhesin exhibits mannose-resistant haemagglutination and has 32% identity with the Dr adhesin in terms of its sequence of amino acids. Furthermore, an adhesin which has 98% identity to the AfaE-I adhesin in terms of its sequence of amino acids has been described in a prototype strain representing EPEC, defined on the basis of its electrophoretic type as type ET5 which is included among atypical DAEC. The ET5 type includes the O55: H- and O55: H7 *E. coli* serotypes. In addition to the diffuse adherence ability, strains included in the ET5 type have virulence genes typical of EPEC. These are genes associated with the ability to induce histopathological changes in the epithelial cells, the so-called AE (Attaching Effacing), which consists of blurring the structure of microvilli similarly to those induced by EPEC adherence. In

Table I
Family Afa/Dr adhesins

Adhesin	Type	Host	Collagen type IV ¹	hDAF ²	hCEACAM ³ , CEA ⁴
AfaE-I	afimbrial	human	-	+	-
AfaE-II	afimbrial	human	ND	+	ND
AfaE-III	afimbrial	human	-	+	+
AfaE-V	afimbrial	human	ND	+	ND
AfaE-VII	afimbrial	cattle	ND	-	ND
AfaE-VIII	afimbrial	human, animals	ND	-	ND
Dr	fimbria	human	+	+	+
Dr-II	afimbrial	human	-	+	-
F1845	fimbria	human	-	+	+
NFA-1	afimbrial	human	ND	+	ND
AAF-I – AAF-III	fimbria	human	ND	ND	ND
HdaA	fimbria	human	ND	ND	ND

¹ collagen type IV is the basic structural component of the extracellular matrix of the basal lamina on which epithelial cells reside, produced by epithelial cells; ² hDAF (decay accelerating factor); ³ hCEACAM-1 and hCEACAM-6 human carcinoembryogenic antigen related cell adherence molecules-1 and -6; ⁴ CEA, carcinoembryogenic antigen; ND, not determined. Based on [68].

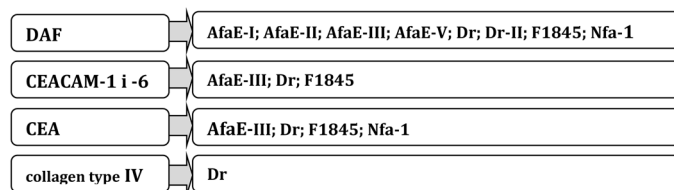


Fig. 2. Receptors for DAEC strains pathogenic to humans.

EPEC, lesions of the AE type confer LA (Localized Adherence), hence type ET5 presents a mixed type of LA-DA adherence [40, 76].

The AfaE-III DAEC afimbrial adhesin was first described in the A30 *E. coli* strain responsible for urinary tract infections [51]. This adhesin shows 98% homology to the Dr adhesin in terms of its sequence of amino acids but, unlike it, it determines adherence to epithelial cells, inhibited by chloramphenicol. Furthermore, the set of genes encoding AfaE-III is closely related to the *daa* operon which encodes the F1845 fimbriae. Products of the *afaA* and *afaF* genes of the *afa-3* operon are homologous to the PapI-PapB UPEC proteins [23].

The Dr adhesin is encoded by a set of genes of the *dra* operon that determines the mannose-resistant adherence of these strains to epithelial cells. A prototype *E. coli* strain in which Dr adhesin has been described is the strain IH11128 (O75: K5: H-). In turn, Dr-II adhesin was first described in an EC7372 *E. coli* strain isolated from a case of glomerulonephritis. The Dr-II adhesin demonstrates only 20% similarity with adhesins from the Afa/Dr family, but as much as 96% homology in terms of the sequence of amino acids with the NFA-1 adhesin, present among *E. coli* strains responsible for urinary tract infections. Nevertheless, despite the low degree of similarity between the Dr-II adhesin and Afa/Dr adhesins, both types of adhesins are characterized by a similar genetic organization of operons encoding these antigens. In addition, strain EC7372 has a PAI (Pathogenicity Island) similar to PAI_{CFT073} specific for UPEC, along with genes encoding the HlyA haemolysin and operons encoding the Pap fimbriae. In contrast to other Afa/Dr-positive *E. coli*, the EC7372 strain induces apoptosis and necrosis of epithelial cells [30, 70, 76].

The F1845 fimbrial adhesin of DAEC strains is responsible for the diffuse adherence of the C1845 *E. coli* strain, which has been isolated from a case of chronic diarrhoea in children. Research on the C1845 strain on an animal model has shown that it induces loss of colonic epithelial cells in piglets [7]. The operon encoding F1845 fimbriae comprises 5 *daaA*, *daaB*, *daaC*, *daaD*, and *daaE* genes located on the plasmid or on the chromosome in DAEC strains similar to the C1845 *E. coli* and responsible for diarrhoea. The F1845 adhesin is 57% identical to the Dr fimbriae in terms of the sequence of amino acids [6, 48]. In 1989, Bilge *et al.*

[7] developed a diagnostic DNA probe for the DAEC pathotype that contains a fragment of the *daaC* gene belonging to the operon encoding fimbriae F1845. This probe, however, only identifies part of DAEC strains, among others, strains producing adhesins that belong to the Afa/Dr family, including the F1845 fimbriae. Furthermore, the *daaC* probe cross-hybridizes with the *aafC* gene which encodes the AAF-II aggregative fimbriae. In addition, a positive cross-hybridization of the *daaC* probe was indicated with a small percentage of strains that did not demonstrate adherence to epithelial cells [7]. Nevertheless, epidemiological studies involving the *daaC* DNA probe shown a relationship between the Afa/Dr DAEC strains and diarrhoea in children of over 2 years of age [76]. Although this probe's specificity is estimated at over 95%, its sensitivity only amounts to approx. 60%. According to studies by Scaletsky *et al.* [73], the sensitivity of the *daaC* probe in a hybridization test involving 185 *E. coli* strains with diffuse adherence amounted to 64.3%. Lozer *et al.* [55], in turn, compared the frequency of detecting strains of the DAEC pathotype using the method of hybridization with the *daaC* probe and in a PCR reaction with genes encoding *afa* adhesins. The DAEC pathotype was confirmed by these researchers in 19.1% of the 560 *E. coli* strains tested using the *daaC* probe and in 25.5% of the strains tested using the PCR reaction.

The AIDA-I adhesin is an autotransporter protein of the external membrane with a molecular mass of 100 kDa, which was first described in the O126:H27 *E. coli* strain, isolated from a case of infant diarrhoea by Benz *et al.* [5]. The AIDA-I protein is a three-component antigen consisting of a functional α -domain that mediates in the specific binding of *E. coli* with the host cell and the β translocator (AIDA^C) [42, 43, 44, 62]. The expression of AIDA-I depends on the activity of two plasmid genes, i.e. *aidA*, which encodes the precursor protein with a molecular mass of 132 kDa, post-translationally modified by a product of the *aah* gene (autotransporter adhesin heptosyltransferase) into a mature AIDA-I glycoprotein [44]. After secretion, AIDA-I remains non-covalently bound to the surface of the bacterium. The ability of AIDA-I to self-associate into aggregates caused this protein to be included in a new group of autotransporter proteins labeled as SAATs (self-associating autotransporters) which, apart

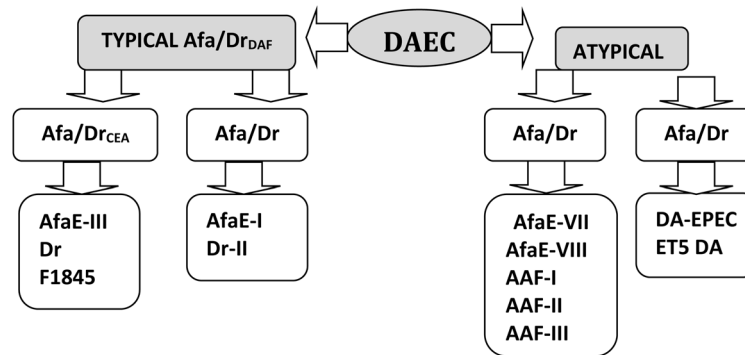


Fig. 3. Diagram of the division of *E. coli* strains with diffuse type of adhesion.

from AIDA-I, includes the Ag43 antigen responsible for the autoaggregation of numerous, pathogenic and non-pathogenic *E. coli* strains and TibA, an ETEC adhesin/Invasin [16]. In addition to adherence to epithelial cells, AIDA-I is involved in the formation of a biofilm by *E. coli* rods [78].

Besides the DAEC pathovar, the AIDA-I adhesin was detected in other pathogenic *E. coli* strains, among others, in ETEC that produce the STb heat-stable enterotoxin and, in strains of the STEC pathotype, i.e. Stx2 Shiga toxin and the F18 fimbriae-producing strains. The presence of AIDA-I was also found among atypical EPEC strains [22, 76, 80]. The receptor for the AIDA-I adhesin is the N-glycosylated glycoprotein pg19, present on many types of human and animal cells [44]. AIDA-I-positive DAEC strains are responsible for diarrhoea in infants. Adherence to intestinal epithelial cells by via of AIDA-I stimulates synthesis and secretion of the EspA, EspB and EspD effector proteins into the cytosol of the host cell that induce the reorganization of a cell's cytoskeleton combined with the accumulation of actin underneath the adherent *E. coli*. The resulting histopathological changes in epithelial cells resemble A/E changes induced by EPEC adherence, hence strains which have this adhesin are included in the EPEC pathovar [76, 77].

3. The division of DAEC strains

On the basis of the presented adhesins and their receptors, DAEC strains have been divided into two basic groups, i.e. typical DAEC, which bind to the hDAF receptor, and atypical DAEC, which do not bind the hDAF factor. Each of these groups is divided into two subclasses. Typical DAEC of the 1st subclass include strains that have Afa/Dr adhesins which bond to the CEA antigen (Afa/Dr_{CEA}) i.e. the Afa-III, Dr and F1845 strains. The second subclass of typical DAECs includes strains that do not bond to the CEA antigen, i.e. the AfaE-I and Dr-II strains. Atypical DAECs of the 1st subclass include strains that demonstrate the presence of the AfaE-VII, AfaE-VIII, AAF-I, AAF-II

and AAF-III adhesins. The second subclass of atypical DAEC has Afa/Dr adhesins and other ones that demonstrate diffuse adherence. This group comprises DA-EPEC strains that demonstrate the presence of the AIDA-I adhesin and have a pathogenicity island homologous to the LEE pathogenicity island (locus of enterocyte effacement) EPEC, as well as the ET5 type, which also possesses the LEE pathogenicity island and the AfaE-I adhesin [76] (Fig. 3).

4. Other virulence factors of DAEC

Many strains of the DEAC pathovar contain numerous genes encoding uptake systems of iron ions. Almost half of these strains demonstrate the presence of the *irp2* gene which belongs to the operon encoding yersiniabactin, i.e. a siderophore specific of rods from the *Yersinia* genus. Furthermore, among DAEC isolates, the *icuB* gene has been found, which is part of the operon that encodes aerobactin, i.e. a siderophore synthesized by some *E. coli* and *Shigella* strains, followed by the *shuA* gene of the operon enabling the use of haem, which is specifically present in *Shigella* and the *iroN* gene encoding the catechol siderophore salmochelin, common among *E. coli* responsible for blood and urinary tract infections. In addition, some DAEC strains have the *modD* gene which belongs to the operon encoding the molybdenum transport system [9, 22, 76]. Many DAEC strains also demonstrate the ability to synthesize the Sat toxin which belongs to the sub-family of serine protease autotransporters of *Enterobacteriaceae* SPATE (Secreted Autotransporter Toxin of *Enterobacteriaceae*) [31].

5. The pathogenicity of DAEC

5.1. Urinary tract infections

Afa/Dr DAEC are responsible for 25–50% of cases of cystitis in children and 30% of cases of pyelonephritis in adults, especially pregnant women [76, 77]. Furthermore, *E. coli* strains demonstrating the presence of Dr adhesins are associated with twice as high a risk

of a recurring infection of the urinary tract, which suggests their involvement in recurrent or chronic infections of this system [51].

5.2. Gastrointestinal tract infections

Afa/Dr-positive *E. coli* cause diarrhoea in children of between 2 and 5 years of age. The occurrence of diarrhoea being limited to this age group may be the result of the structural and functional immaturity of the intestinal epithelial layer, as well as the lack of defence mechanisms [77]. These strains do not cause diarrhoea in adults, even in volunteers to whom the wild, pathogenic C1845 strain was orally administered. Nevertheless, *E. coli* which have the *daaC* and *afaBC* genes are isolated more often from people suffering from Crohn's disease or colon cancer than from healthy individuals [72]. The *afa-1*-positive strains isolated from these patients demonstrate adherence and invasion into various epithelial cells, and also induce the increased mRNA expression of VEGF (Vascular Endothelial Growth Factor) which promotes neoangiogenesis in cancerous tumors. Furthermore, some *afaC*-positive strains possess a genotoxic *pks* pathogenicity island that brings with it genes encoding the ability of synthesize colibactin, i.e. a genotoxin that damages the DNA of host cells. In addition, these strains often demonstrate the presence of LpfA fimbriae (Long polar fimbriae), that enable the translocation of intact bacteria through the M cells of the intestinal mucosa as well as genes which encode the HtrA and DsbA stress proteins that enable *E. coli* to survive in macrophages. Both of these genes are specifically associated with the AIEC pathotype present in people suffering from Crohn's disease [13, 14, 58, 64].

6. Immunological response in DAEC infections

Infection with DAEC strains induces a strong immune response. In their *in vitro* studies, Betis *et al.* [64] demonstrated that the adherence of Afa/Dr DAEC strains to polarized intestinal epithelial cells by means of the hDAF receptor stimulates the release of IL-8 into basolateral spaces, which induces the migration of PMNL (Polymorphonuclear Leukocytes) through the intestinal epithelium [75]. The migration of PMNL through the epithelial layer is associated with the secretion of TNF α and IL-1 β cytokines by enterocytes. In turn, the secreted pro-inflammatory cytokines increase the expression of the hDAF factor on the surface of enterocytes, thus enhancing DAEC adherence. Hardin *et al.* [34] demonstrated that IL-1 β contributes to physiological changes in the intestinal epithelium under the influence of inflammation induced by an infection. That is because this cytokine stimulates the secretion of anions, inhibits the absorption of Na⁺ and Cl⁻ ions and

the transport of glucose, dependent on the SGLT-1 transporter of sodium and glucose ions (Sodium-Glucose Transport protein-1), which ultimately contributes to the development of diarrhoea. However, Brest *et al.* [12] demonstrated that although DAEC strains induce the inflow of neutrophil in the intestinal mucosa, they are phagocytosed by leukocytes to a much smaller extent compared to the non-pathogenic DH5 α control *E. coli* strain. Infection of MNL with Afa/Dr strains induces a spontaneous apoptosis of most of the leukocytes, one that is characterized by morphological changes in a cell nucleus, DNA fragmentation, activation of caspases and high expression of annexin V. Recombinant *E. coli* strains into which Afa/Dr adhesin genes (Afa-1, Afa-III, Dr and F1845) have been introduced, although they adhere to neutrophils, they are not engulfed. These studies suggest that the interaction of Afa/Dr *E. coli* with PMNL increases the virulence of these strains by inducing the apoptosis of leukocytes and decreasing their phagocytic capacities [12]. Tieng *et al.* [82] presented evidence of the influence of DAEC adherence and their interaction with the hDAF receptor on triggering a non-specific immune response using MICA particles (MHC class I polypeptide-related sequence). MICA are homologues of class I histocompatibility antigens (MHC-I) that are present on cells of the intestinal epithelium and constitute ligands for cell receptors involved in a non-specific, innate immune response, i.e. T γ δ lymphocytes, CD8⁺ cells, T α β lymphocytes and NK cells. The interaction of DAEC with the hDAF receptor increases the expression of MICA particles, which, in turn, stimulates the secretion of the interferon γ (IFN γ) by NK (natural killer) cells, increasing the inflammation of the intestinal epithelium. By binding to hDAF, Afa/Dr DAEC strains activate signalling pathways that engage Erk/MAP protein kinases, which stimulates epithelial cells to synthesize and secrete IL-8 [15]. In addition, the interaction of DAEC strains with the hDAF receptor induces an increase in the expression and synthesis of the VEGF bioactive endothelial growth factor by epithelial cells. Epidemiological studies indicate that Afa/Dr strains often colonize the intestinal mucosa of patients suffering from inflammatory bowel disease and patients diagnosed with adenocarcinoma of the colon, although their role in the development of these chronic intestinal diseases remains unexplained [57].

7. The pathomechanism of infections caused by DAEC

Yamamoto *et al.* [85] were the first to observe changes in the cytoskeleton of human epithelial cells (HeLa) under the influence of DAEC adherence. Subsequently, Peiffer *et al.* [69] demonstrated that the interaction of the C1845 strain with the hDAF receptor on

the surface of epithelial cells promotes the extension of microvilli and this process is accompanied by an increased epithelial permeability and changes in the distribution of tight junction proteins. A DAF particle contains four SCR domains, a serine/threonine region and a glycosylphosphatidylinositol portion anchoring hDAF in the cell membrane. The SCR-3 domain, which is responsible for the protective effect of hDAF against the toxic effects of the complement cascade on cells, is also the receptor that binds Dr adhesins. The interaction between DAEC and hDAF induces the accumulation of hDAF particles underneath the adjacent bacteria, which activates a cascade of signals that engage tyrosine kinases, C γ phospholipase, phosphatidylinositol 3-kinase (PI3K), kinase C, as well as leads to an intracellular increase in the concentration of calcium ions. The increase in the concentration of calcium ions modulates the conformation of proteins in the cytoskeleton of the brush border through calcium-dependent proteins binding actin fibres, namely villin and fimbrin. Villin is involved in organizing the actin and binds actin filaments at a low concentration of calcium ions. However, an increase in the concentration of calcium ions induces villin fragmentation which, in turn, leads to the depolymerization of F-actin in the uppermost part of microvilli. The redistribution of proteins in the cellular cytoskeleton is accompanied by a decrease in the expression of the digestive enzymes of the brush border, i.e. sucrase-isomaltase (SI), dipeptidyl peptidase IV (DPP-IV), as well as glucose (SGLT-1) and fructose (GLUT-5) transporters, which may lead to the development of diarrhoea [4, 28, 51, 68, 69]. According to researchers, the change in the electrochemical gradient of the intestinal epithelium resulting in the development of diarrhoea or the induction of an immune response may be a pathophysiological consequence of the observed phenomena. Studies by Taddei *et al.* [81] demonstrated that the responsibility for the rearrangement of tight junction proteins, i.e. ZO-1, ZO-3 and occludin, which plays a key role in sealing the junction between epithelial cells, lies with the serine group of the Sat toxin. Guignot *et al.* [31] demonstrated that the majority, namely 88%, of the DAEC strains associated with urinary tract infections, as well as about 46% of the DAEC strains responsible for diarrhoea in children carry the *sat* gene encoding this toxin [31]. However, these researchers failed to demonstrate the gene encoding the Sat toxin in the DAEC strains isolated from healthy children.

In turn, studies by Selvarangan *et al.* [74] on a mouse model demonstrated that DAEC binding to collagen is of vital importance in the pathomechanism of chronic glomerulonephritis. Isogenic mutants lacking the DraE antigen and, therefore, the ability to bind to collagen, although still capable of binding the hDAF factor, are

rapidly removed from the animals' kidneys, in contrast to the wild parental DraE-positive strain. Dr-positive strains demonstrate tropism to the basal membranes of glomeruli and the ability to cause chronic nephritis. Nowicki *et al.* [63] demonstrated that an infection of the urinary tract with the Afa/Dr IH11128 strain led to significant histopathological changes, corresponding to renal tubule atrophy, interstitial nephritis and renal parenchymal fibrosis. Urinary tract infections caused by DAEC strains can be particularly dangerous for pregnant women. In an experimental mouse model of chronic glomerulonephritis caused by Dr-positive strains, Kaul *et al.* [39] demonstrated that almost 90% of pregnant female mice infected with a Dr-positive strain bore offspring prematurely compared to 10% of mice infected with *E. coli* strains which did not have the Dr adhesin.

7.1. The internalization of DAEC

The Afa/Dr operon encodes, among others, the AfaD and DraD adhesins which simultaneously occupy the role of invasins important in the process of DAEC internalization by epithelial cells independently of the hDAF and CEACAM5 cellular receptors but engaging caveolins, dynamic microtubules, as well as an interaction with the $\alpha 5 \beta 1$ integrin [9]. The virulence factors involved in the internalization of DAEC have only partially been discovered. The results of studies indicate that besides the AfaD invasin, the DraE adhesin of the Dr fimbriae also plays an important role in the process of DAEC internalization by epithelial cells [63]. Purified Dr fimbriae coated on small polystyrene balls stimulate the clusterization of receptors and accumulation of actin in areas where the Dr antigen carrier adheres to an epithelial cell, prior to their internalization. The internalization of carriers coated with the Dr antigen is inhibited by IgG antibodies directed against the Dr antigen. In addition, it has been observed that intracellular *E. coli* which have the Dr antigen do not influence the functional differentiation of enterocytes. According to studies by Guingot *et al.* [32], intracellular Dr-positive strains form aggregations inside vacuoles, in which bacteria survive in a "dormant" state. Such intracellular aggregations probably constitute a reservoir of *E. coli* in recurrent and chronic urinary tract infections [32].

A different invasin described in Afa/Dr strains is the AfaD protein, conservative among human Afa-positive *E. coli* strains. Similarly to AfaE, the AfaD protein is exposed on the surface of a bacterial cell but, in contrast to AfaE, it may flake off the surface of the bacterium and be internalized by the host cells. The role of AfaD in the invasiveness of Afa/Dr strains has been confirmed by studies using a polycarbonate carrier coated with an AfaD antigen, which was internalized by epithelial cells.

AfaD was recognized as a prototype of the invasins family, which also includes the AggB protein synthesized by EAEC strains [24].

8. The epidemiology of DAEC

The epidemiology of DAEC strains responsible for diarrhoeas remains poorly understood due to the lack of commonly available laboratory methods for the identification of these strains. Nevertheless, DAEC strains have been identified as the aetiological factor of diarrhoea in children in Chile [45], Mexico [25], Brazil [54], Peru [65], Iran [1], Colombia [29] and the United States [17]. Furthermore, DAEC strains have been detected in children suffering from diarrhoea in Thailand [21], Bangladesh [3], Japan [59, 84], China [52], New Caledonia [26], Australia [33] and in African [66, 67, 83] and European countries, e.g. in the United Kingdom [41] and France [37, 71]. DAEC strains are isolated from healthy children and adults as often as from children suffering from diarrhoea, which makes it difficult to unequivocally determine their role as an aetiological factor of digestive tract infections. So far, the reservoir of DAEC strains and the routes of their transmission also remain unknown. In a small number of studies, the presence of DAEC strains was confirmed in drinking water samples [36] and samples containing water from irrigation systems [2]. There is also a paucity of data on the incidence of DAEC strains demonstrating the presence of the AfaE-I adhesin – AfaE-III, Dr and F1845 in animals. Meanwhile, DEAC strains carrying genes the AfaE-VII and AfaE-VIII afimbrial adhesins have been detected in calves with diarrhoea or sepsis [47, 48]. *Afa-8*-positive strains and strains which had genes associated with the *afa/dr* operon have been identified among *E. coli* isolates from pigs, poultry and cattle [26, 35, 49, 50, 56], but there is no evidence of their transmission from animals to humans.

9. Diagnosis

Although the relationship between DAEC strains and infections, particularly those of the urinary tract, has been known for a long time, DAEC are omitted in the routine diagnosis of infections of the digestive tract and the urinary tract. This is related to the huge genotypic diversity of these strains. Phenotypically, the vast majority of DAEC strains manifests a mannose-resistant, diffuse adherence to epithelial cells [10, 60, 61]. However, an *in vitro* adherence test is time-consuming and quite expensive, which is why it is not used in routine diagnostics. Besides, diffuse adherence may also be manifested by other *E. coli* pathotypes [11, 46],

which disqualifies its use in routine diagnostics. Due to the exceptional diversity of adhesins present among DEAC strains, molecular test also seem to be of little use in routine diagnostics. Nevertheless, epidemiological studies and studies on the pathogenic potential of DAEC strains are being undertaken as part of scientific research around the world. Numerous probes and primers have been developed for the purposes of genetic research on DAEC that make it possible to detect adhesins from the Afa/Dr family which are common among these strains, e.g. *daaC*, *daaE*, *afaB* and *afaC* [7, 50]. Unfortunately, recent research has shown that some of the developed probes, e.g. the *daaC* probe, commonly used for detection of Afa/Dr strains, cross-reacts with EAEC strains that also cause diarrhoea, which limits its use [54, 79]. An additional difficulty in diagnosing infections caused by DAEC strains is their prevalence among healthy individuals.

10. Summary

DAEC strains are associated with diarrhoea in babies and with urinary tract infections. The pathogenesis and diffuse adherence of this group of *E. coli* is determined by specific fimbrial and afimbrial adhesins, reacting with a wide range of receptors on the surface of host epithelial cells. Numerous studies have confirmed the pro-inflammatory effect of DEAC adhesins on intestinal epithelium. The latest data indicate a possible contribution of DAEC strains in the process of the development of colorectal cancer and Crohn's disease. On the other hand, DAEC strains are isolated from patients as often as they are isolated from healthy people, which suggests that the pathogenic potential of this group of *E. coli* depends to a large extent on the virulence factors produced by them and the age of infected individuals. The lack of commonly available diagnostic methods hinders the correct identification of infections caused by DAEC, and therefore, the possibility of treatment which, in the case of some infections, e.g. infections of the urinary tract, may lead to serious clinical consequences.

Acknowledgements

The article was translated by EURO-ALPHABET from Polish into English under agreement 659/P-DUN/2018 and funded by the Ministry of Science and Higher Education.

References

1. Abbasi P, Kargar M., Doosi A., Mardareh J., Ghorbani-Dalini S., Dehyadegari M.A.: Molecular detection of diffusely adherent *Escherichia coli* strains associated with diarrhea in Shiraz, Iran. *Arch. Pediatr. Infect. Dis.* 5, e37629 (2017)

2. Aijuka M., Santiago A.E., Giron J.A., Nataro J.P., Buys E.M.: Enterotoxigenic *Escherichia coli* is the predominant diarrheagenic *E. coli* pathotype among irrigation water and food sources in South Africa. *Int. J. Food Microbiol.* **278**, 44–51 (2018)
3. Baqui A.H., Sack R.B., Black R.E., Haider K., Hossain A., Alim A.R., Yunus M., Chowdhury H.R., Siddique A.K.: Enteropathogens associated with acute and persistent diarrhea in Bangladeshi children less than 5 years of age. *J. Infect. Dis.* **166**, 792–796 (1992)
4. Bernet-Camard M.F., Coconnier M.H., Hudault S., Servin A.L.: Pathogenicity of the diffusely adhering strain *Escherichia coli* C1845: F1845 adhesin-decay accelerating factor interaction, brush border microvillus injury, and actin disassembly in cultured human intestinal epithelial cells. *Infect. Immun.* **64**, 1918–1928 (1996)
5. Benz I., Schmidt M.A.: Isolation and serologic characterization of AIDA-I, the adhesin mediating the diffuse adherence phenotype of the diarrhea-associated *Escherichia coli* strain 2787 (O126:H27). *Infect. Immun.* **60**, 13–18 (1992).
6. Bétis F., Brest P., Hofman V., Guignot J., Bernet-Camard M.F., Rossi B., Servin A., Hofman P.: The Afa/Dr adhesins of diffusely adhering *Escherichia coli* stimulate interleukin-8 secretion, activate mitogen activated protein kinases, and promote polymorphonuclear transepithelial migration in T84 polarized epithelial cells. *Infect. Immun.* **71**, 1068–1074 (2003)
7. Bilge S.S., Clausen C.R., Lau W., Moseley S.L.: Molecular characterization of a fimbrial adhesin, F1845, mediating diffuse adherence of diarrhea-associated *Escherichia coli* to HEp-2 cells. *J. Bacteriol.* **171**, 4281–4289 (1989)
8. Bilge S.S., Apostol J.M., Fullner K.J., Moseley S.L.: Transcriptional organization of the F1845 fimbrial adhesin determinant of *Escherichia coli*. *Mol. Microbiol.* **7**, 993–1006 (1993)
9. Blanc-Potard A.B., Tinsley C., Scaletsky I., Le Bouguenec C., Guignot J., Servin A.L., Nassif X., Bernet-Camard M.F.: Representational difference analysis between Afa/Dr diffusely adhering *Escherichia coli* and nonpathogenic *E. coli* K12. *Infect. Immun.* **70**, 5503–5551 (2002)
10. Bouzari S., Jafari A., Farhodi-Moghaddam A.A., Shokouhi F., Parsi M.: Adherence of non-enteropathogenic *Escherichia coli* to HeLa cells. *J. Med. Microbiol.* **40**, 95–97 (1994)
11. Bouzari S., Jafari M.N., Shokouhi F., Parsi M., Jafari A.: Virulence-related sequences and adherence patterns in strains of enteropathogenic *Escherichia coli*. *FEMS Microbiol. Lett.* **185**, 89–93 (2000)
12. Brest P., Bétis F., Cuburu N., Selva E., Herrant M., Servin A., Auberger P., Hofman P.: Increased rate of apoptosis and diminished phagocytic ability of human neutrophils infected with Afa/Dr diffusely adhering *Escherichia coli* strains. *Infect. Immun.* **72**, 5741–5749 (2004)
13. Bringer M.A., Barnich N., Glasser A.L., Bardot O., Darfeuille-Michaud A.: HtrA stress protein is involved in intramacrophagic replication of adherent, invasive *Escherichia coli* strain LF82 isolated from a patient with Crohn's disease. *Infect. Immun.* **73**, 712–721 (2005)
14. Bringer M.A., Rolhion N., Glasser A.L., Darfeuille-Michaud A.: The oxidoreductase DsbA plays a key role in the ability of the Crohn's disease-associated adherent-invasive *Escherichia coli* strain LF82 to resist macrophage killing. *J. Bacteriol.* **189**, 4860–4871 (2007)
15. Cane G., Ginouves A., Marchetti S., Busca R., Pouyssegur J., Berra E., Hofman P., Vouret-Craviari V.: HIF-1 α mediates the induction of IL-8 and VEGF expression on infection with Afa/Dr diffusely adhering *E. coli* and promotes EMT-like behavior. *Cell. Microbiol.* **12**, 640–653 (2010)
16. Charbonneau M.E., Mourez M.: Functional organization of the autotransporter adhesin involved in diffuse adherence. *J. Bacteriol.* **189**, 9020–9029 (2007)
17. Cohen M.B., Nataro J.P., Bernstein D.I., Hawkins J., Roberts N., Staat M.A.: Prevalence of diarrheagenic *Escherichia coli* in acute childhood enteritis: a prospective controlled study. *J. Pediatr.* **146**, 54–61 (2005)
18. Croxen M.A., Law R.J., Scholz R., Keeney K.M., Wlodarska M., Finlay B.B.: Recent advances in understanding enteric pathogenic *Escherichia coli*. *Clin. Microbiol. Rev.* **26**, 822–880 (2013)
19. Cruz Spano L., da Cunha K.F., Monfardini M.V., de Cassia Bergamashi Fonesca R., Scaletsky I.C.: High prevalence of diarrheagenic *Escherichia coli* carrying toxin-encoding genes isolated from children and adults in Southeastern Brazil. *BMC Infect. Dis.* **17**, 773 (2017)
20. Darfeuille-Michaud A., Boudeau J., Bulois P., Neut C., Glasser A.L., Barnich N., Bringer M.A., Swidsinski A., Beaugerie L., Colombel J.E.: High prevalence of adherent-invasive *Escherichia coli* associated with ileal mucosa in Crohn's disease. *Gastroenterol.* **127**, 412–421 (2004)
21. Echeverria P., Serichantalerg O., Changchawalit S., Baudry B., Levine M.M., Orskov F., Orskov I.: Tissue culture-adherent *Escherichia coli* in infantile diarrhea. *J. Infect. Dis.* **165**, 141–143 (1992)
22. Escobar-Parameo P., Clermont O., Blanc-Potard A.B., Bui H., Le Bouguenec C., Denamur E.: A specific genetic background is required for acquisition and expression of virulence factors in *Escherichia coli*. *Mol. Biol. Evol.* **21**, 1085–1094 (2004)
23. Garcia M.I., Labigne A., Le Bouguenec C.: Nucleotide sequence of the afimbrial-adhesin-encoding *afa-3* gene cluster and its translocation via flanking IS1 insertion sequences. *J. Bacteriol.* **176**, 7601–7613 (1994).
24. Garcia M.I., Jouve M., Nataro J.P., Gounon P., Le Bouguenec C.: Characterization of the AfaD-like family of invasins encoded by pathogenic *Escherichia coli* associated with intestinal and extra-intestinal infections. *FEBS Lett.* **479**, 111–117 (2000)
25. Girón J.A., Jones T., Millán-Velasco F., Castro-Muñoz E., Zárate L., Fry J., Frankel G., Moseley S.L., Baudry B., Kaper J.B.: Diffuse-adhering *Escherichia coli* (DAEC) as a putative cause of diarrhea in Mayan children in Mexico. *J. Infect. Dis.* **163**, 507–513 (1991)
26. Gerardin J., Lalioui L., Jacquemin E., Le Bouguenec C., Mainil J.G.: The *afa*-related gene cluster in necrototoxic and other *Escherichia coli* from animals belongs to the *afa-8* variant. *Vet. Microbiol.* **76**, 175–184 (2000)
27. Germani Y., Begaud E., Duval P., Le Bouguenec C.: Prevalence of enteropathogenic, enterotoxigenic, and diffusely adherent *Escherichia coli* among isolates from children with diarrhea in New Caledonia. *J. Infect. Dis.* **174**, 1124–1126 (1996)
28. Goluszko P., Selvarangan R., Popov V., Pham T., Wen J.W., Singhal J.: Decay-accelerating factor and cytoskeleton redistribution pattern in HeLa cells infected with recombinant *Escherichia coli* strains expressing Dr family of adhesins. *Infect. Immun.* **67**, 3989–3997 (1999)
29. Gómez-Duarte O.G., Arzuza O., Urbina D., Bai J., Guerra J., Montes O., Puello M., Mendoza K., Castro G.Y.: Detection of *Escherichia coli* enteropathogens by multiplex polymerase chain reaction from children's diarrheal stools in two Caribbean-Colombian cities. *Foodborne Pathog. Dis.* **7**, 199–206 (2010)
30. Guignot J., Peiffer I., Bernet-Camard M.F., Lublin D.M., Carnoy C., Moseley S.L., Servin A.L.: Recruitment of CD55 and CD66e brush border-associated glycosylphosphatidylinositol-anchored proteins by members of the Afa/Dr diffusely adhering family of *Escherichia coli* that infect the human polarized intestinal Caco-2/TC7 cells. *Infect. Immun.* **68**, 3554–3563 (2000).

31. Guignot J, Chaplais C, Cocounier-Polter M.H., Servin A.L.: The secreted autotransporter toxin, Sat, function as a virulence factor in Afa/Dr diffusely adhering *Escherichia coli* by promoting lesions in tight junction of polarized epithelial cells. *Cell. Microbiol.* **9**, 204–221 (2007)
32. Guignot J, Hudault S, Kansau I, Chau I, Servin A.L.: Human decay-accelerating factor and CEACAM receptor-mediated internalization and intracellular lifestyle of Afa/Dr diffusely adhering *Escherichia coli* in epithelial cells. *Infect. Immun.* **77**, 517–531 (2009)
33. Gunzburg S.T., Chang B.J., Elliott S.J., Burke V., Gracey M.: Diffuse and enteroaggregative patterns of adherence of enteric *Escherichia coli* isolated from aboriginal children from the Kimberley region of Western Australia. *J. Infect. Dis.* **167**, 755–758 (1993)
34. Hardin J, Kroeker K, Chung B, Gall D.G.: Effect of proinflammatory interleukins on jejunal nutrient transport. *Gut*, **47**, 184–191 (2000)
35. Hur J, Jeon B.W., Kim Y.J., Oh I.G., Lee J.H.: *Escherichia coli* isolates from calf diarrhea in Korea and their virulent genetic characteristics. *J. Vet. Med. Sci.* **75**, 519–522 (2013)
36. Igwaran A., Iweriebor B.C., Okoh A.I.: Molecular characterization and antimicrobial resistance pattern of *Escherichia coli* recovered from wastewater treatment plants in Eastern Cape South Africa. *Int. J. Environ. Res. Public Health*, **15**, 1237 (2018)
37. Jallat C., Livrelli V., Darfeuille-Michaud A., Rich C., Joly B.: *Escherichia coli* strains involved in diarrhea in France: high prevalence and heterogeneity of diffusely adhering strains. *J. Clin. Microbiol.* **31**, 2031–2037 (1993)
38. Kaper J.B., Nataro J.P., Mobley H.L.: Pathogenic *Escherichia coli*. *Nat. Rev. Microbiol.* **2**, 123–140 (2004)
39. Kaul A.K., Kumar D., Nagamani M., Goluszko P., Nowicki S., Nowicki B.J.: Rapid cyclic changes in density and accessibility of endometrial ligands for *Escherichia coli* Dr fimbriae. *Infect. Immun.* **64**, 611–615 (1996)
40. Keller R., Ordonez J.G., de Oliveira R.R., Trabulsi L.R., Baldwin T.J., Knutton S.: Afa, a diffuse adherence fibrillar adhesin associated with enteropathogenic *Escherichia coli*. *Infect. Immun.* **70**, 2681–2689 (2002)
41. Knutton S., Shaw R., Phillips A.D., Smith H.R., Willshaw G.A., Watson P., Price E.: Phenotypic and genetic analysis of diarrhea-associated *Escherichia coli* isolated from children in the United Kingdom. *J. Pediatr. Gastroenterol. Nutr.* **33**, 32–40 (2001)
42. Konieczny M.P., Suhr M., Noll A., Autenrieth I.B., Schmidt M.A.: Cell surface presentation of recombinant (poly-) peptides inducing functional epitopes by the AIDA autotransporter system. *Pathog. Dis.* **27**, 321–332 (2000)
43. Konieczny M.P., Benz I., Hollinderbaumer B., Beinke C., Niederweis H., Schmidt M.A.: Molecular organization of the AIDA autotransporter translocator: the N-terminal β 1-domain is surface-exposed and stabilizes the transmembrane β 2-domain. *Antonie von Leeuwenhoek*, **80**, 19–34 (2001)
44. Laarmann S., Schmidt M.A.: The *Escherichia coli* AIDA autotransporter adhesion recognizes an integral membrane glycoprotein as receptor. *Microbiology*, **149**, 1871–188 (2003)
45. Levine M.M., Ferreccio C., Prado V., Cayazzo M., Abrego P., Martinez J., Maggi L., Baldini M.M., Martin W., Maneval D.: Epidemiologic studies of *Escherichia coli* diarrheal infections in a low socioeconomic level peri-urban community in Santiago, Chile. *Am. J. Epidemiol.* **138**, 849–869 (1993)
46. Labigne-Roussel A.F., Lark D., Schoolnik G., Falkow S.: Cloning and expression of an afimbrial adhesin (AFA-I) responsible for P blood group-independent, mannose-resistant hemagglutination from a pyelonephritic *Escherichia coli* strain. *Infect. Immun.* **46**, 251–259 (1984)
47. Lalioui L., Jouve M., Gounon P., Le Bouguenec C.: Molecular cloning and characterization of the *afa-7* and *afa-8* gene clusters encoding afimbrial adhesins in *Escherichia coli* strains associated with diarrhea or septicemia in calves. *Infect. Immun.* **67**, 5048–5059 (1999)
48. Lalioui L., Le Bouguenec C.: *Afa-8* gene cluster is carried by a pathogenicity island inserted into the tRNA(Phe) of human and bovine pathogenic *Escherichia coli* isolates. *Infect. Immun.* **69**, 937–948 (2001)
49. Le Bouguenec C.: Diarrhea-associated diffusely adherent *Escherichia coli*. *Clin. Microbiol. Rev.* **12**, 180–181 (1999)
50. Le Bouguenec C., Garcia M.I. et al. Characterization of AfaE adhesins produced by extraintestinal and intestinal human *Escherichia coli* isolates: PCR assays for detection of Afa adhesins that do or do not recognize Dr blood group antigens. *J. Clin. Microbiol.* **39**, 1738–1745 (2001)
51. Le Bouguenec C., Servin A.L.: Diffusely adherent *Escherichia coli* strains expressing Afa/Dr adhesins (Afa/Dr DAEC): hitherto unrecognized pathogens. *FEMS Microbiol. Lett.* **256**, 185–194 (2006)
52. Li D., Shen M., Xu Y., Liu C., Wang W., Wu J., Luo X., Jia X., Ma Y.: Virulence gene profiles and molecular genetic characteristics of diarrheagenic *Escherichia coli* from a hospital in Western China. *Gut Pathog.* **10**, 35 (2018)
53. Loomis W.P., Moseley S.L.: Translational control of mRNA processing in the F1845 fimbrial operon of *Escherichia coli*. *Mol. Microbiol.* **30**, 843–853 (1998)
54. Lopes L.M., Fabbriotti S.H., Ferreira A.J., Kato M.A., Michalski J., Scaletsky I.C.: Heterogeneity among strains of diffusely adherent *Escherichia coli* isolated in Brazil. *J. Clin. Microbiol.* **43**, 1968–1972 (2005)
55. Lozer D.M., Souza T.B., Monfardari M.V., Vincentini F., Kitagawa S.S., Scaletsky I.C., Spano L.C.: Genotypic and phenotypic analysis of diarrheagenic *Escherichia coli* strains isolated from Brazilian children living in low socioeconomic level communities. *BMC Infect. Dis.* **13**, 418 (2013)
56. Mainil J.G., Jacquemin E., Herault F., Oswald E.: Presence of *pap-*, *sfa-*, and *afa-* related sequences in necrotogenic *Escherichia coli* isolates from cattle: evidence for new variants of the AFA family. *Can. J. Vet. Res.* **61**, 193–199 (1997)
57. Martin H.M., Campbell B.J., Hart C.A., Mpfu C., Nayar H., Singh R., Englyst H., Williams H.F., Rhodes J.M.: Enhanced *Escherichia coli* adherence and invasion in Crohn's disease and colon cancer. *Gastroenterol.* **127**, 80–93 (2004)
58. Martinez-Medina M., Garcia-Gil L.J.: *Escherichia coli* in chronic inflammatory bowel disease: an update on adherent-invasive *Escherichia coli* pathogenicity. *World J. Gastrointest. Pathophysiol.* **5**, 213–227 (2014)
59. Meraz I.M., Arikawa K., Nakamura H., Ogasawara J., Hase A., Nishikawa Y.: Association of IL-8-inducing strains of diffusely adherent *Escherichia coli* with sporadic diarrheal patients with less than 5 years of age. *Braz. J. Infect. Dis.* **11**, 44–49 (2007)
60. Nataro J.P., Kaper J.B., Robins-Browne R., Prado V., Vial P., Levine M.M.: Patterns of adherence of diarrheagenic *Escherichia coli* to HEp-2 cells. *Pediatr. Infect. Dis. J.* **6**, 829–831 (1987)
61. Nataro J.P., Kaper J. B.: Diarrheagenic *Escherichia coli*. *Clin. Microbiol. Rev.* **11**, 142–201 (1998)
62. Niewerth U., Voss T., Frey A., Le Bouguenec C., Baljer G., Franke S., Schmidt M.A.: The AIDA autotransporter system is associated with F18 and Stx2e in *E. coli* isolates derived from pigs suffering from edema disease and postweaning diarrhea. *Clin. Diagn. Lab. Immunol.* **8**, 143–149 (2001).
63. Nowicki B., Svanborg-Eden C., Hull R., Hull S.: Molecular analysis and epidemiology of the Dr hemagglutinin of uropathogenic *Escherichia coli*. *Infect. Immun.* **57**, 446451 (1989)

64. O'Brien C.L., Bringer M.-A., Holt K.E., Gordon D.M., Dubois A.L., Barnich N., Darfeuille-Michaud A., Pavoli P.: Comparative genomics of Crohn's disease-associated adherent-invasive *Escherichia coli*. *Gut*, **66**, 1382–1389 (2016)
65. Ochoa T.J., Lanata C.F. *et al.* Detection of the CS20 colonization factor antigen in diffuse-adhering *Escherichia coli* strains. *FEMS Immunol. Med. Microbiol.* **60**, 186–189 (2010)
66. Okeke I.N., Lamikanra A., Steinruck H., Kaper J.B.: Characterization of *Escherichia coli* strains from cases of childhood diarrhea in provincial southwestern Nigeria. *J. Clin. Microbiol.* **38**, 7–12 (2000)
67. Okeke I.N.: Diarrheagenic *Escherichia coli* in sub-Saharan Africa: status, uncertainties and necessities. *J. Infect. Dev. Ctries.* **3**, 817–842 (2009)
68. Peiffer I., Servin A.L., Bernet-Camard M.F.: Piracy of decay accelerating factor (CD55) signal transduction by the diffusely adhering strain *Escherichia coli* C1845 promotes cytoskeletal F-actin rearrangements in cultured human intestinal INT407 cells. *Infect. Immun.* **66**, 4036–4042 (1998)
69. Peiffer I., Blanc-Potard A.B., Bernet-Camard M.F., Guignot J., Barbat A., Servin A.L.: Afa/Dr diffusely adhering *Escherichia coli* C1845 infection promotes selective injuries in the junctional domain of polarized human intestinal Caco-2/TC7 cells. *Infect. Immun.* **68**, 3431–3442 (2000)
70. Pham T.Q., Goluszko P., Popov V., Nowicki S., Nowicki B.J.: Molecular cloning and characterization of Dr-II, a nonfimbrial adhesin-I-like adhesin isolated from gestational pyelonephritis-associated *Escherichia coli* that binds to decay-accelerating factor. *Infect. Immun.* **65**, 4309–4318 (1997)
71. Poirineau P., Forestier C., Meyer M., Jallat C., Rich C., Malpuech G., De Champs C.: Retrospective case-control study of diffusely adhering *Escherichia coli* and clinical features in children with diarrhea. *J. Clin. Microbiol.* **33**, 1961–1962 (1995)
72. Prorok-Hamon M., Campbell B.J. *et al.* Colonic mucosa-associated diffusely adherent *afaC+* *Escherichia coli* expressing *lpfA* and *pks* are increased in inflammatory bowel disease and colon cancer. *Gut*, **63**, 761–770 (2014)
73. Scaletsky I.C., Michalski J., Torres A.G., Deuguer M.V., Kaper J.B.: Identification and characterization of the locus for diffuse adherence, which encodes a novel afimbrial adhesin found in atypical enteropathogenic *Escherichia coli*. *Infect. Immun.* **73**, 4753–4765 (2005)
74. Selvarangan R., Goluszko P., Singhal J., Carnoy C., Moseley S., Hudson B., Nowicki S., Nowicki B.: Interaction of Dr adhesin with collagen type IV is a critical step in *Escherichia coli* renal persistence. *Infect. Immun.* **72**, 4827–4835 (2004)
75. Semiramoth N., Gleizes A., Turbica I., Sandre C., Martin-Esteban V., Gorges R., Servin A., Choller-Matin S.: Afa/Dr-expressing, diffusely adhering *Escherichia coli* strain C1845 triggers F1845 fimbria-dependent phosphatidyserine externalization on neutrophil-like differentiated PLB-985 cells through an apoptosis-independent mechanism. *Infect. Immun.* **78**, 2974–2983 (2010)
76. Servin A.L.: Pathogenesis of Afa/Dr diffusely adhering *Escherichia coli*. *Clin. Microbiol. Rev.* **18**, 264–292 (2005).
77. Servin A.L.: Pathogenesis of human diffusely adhering *Escherichia coli* expressing Afa/Dr adhesins (Afa/Dr DAEC): current insights and future challenges. *Clin. Microbiol. Rev.* **27**, 823–869 (2014).
78. Sherlock O., Schembri M.A., Reisner A., Klemm A.: Novel roles for the AIDA adhesin from diarrheagenic *Escherichia coli*: cell aggregation and biofilm formation. *J. Bacteriol.* **186**, 8058–8065 (2004)
79. Snelling A.M., Macfarlane-Smith L.R., Fletcher J.N., Okeke I.N.: The commonly-used DNA probe for diffusely-adherent *Escherichia coli* cross-reacts with a subset of enteroaggregative *E. coli*. *BMC Microbiol.* **9**, 269 (2009)
80. Spano L.C., Sadovsky A.D., Segui P.N., Saick K.W., Kitagawa S.M., Pereira F.E., Fagundes-Neto U., Scaletsky I.C.: Age-specific prevalence of diffusely adherent *Escherichia coli* in Brazilian children with acute diarrhea. *J. Med. Microbiol.* **57**, 359–363 (2008)
81. Taddei C.R., Fasano A., Ferreria A.J., Trabulsi L.R., Martinez M.B.: Secreted autotransporter toxin produced by a diffusely adhering *Escherichia coli* strain causes intestinal damage in animal model assays. *FEMS Microbiol. Lett.* **250**, 263–269 (2005)
82. Tieng V., Le Bouguéneq C., du Merle L., Bertheau P., Desreumaux P., Janin A., Charron D., Toubert A.: Binding of *Escherichia coli* adhesin AfaE to CD55 triggers cell-surface expression of the MHC class I-related molecule MICA. *Proc. Natl. Acad. Sci. USA*, **99**, 2977–2982 (2002)
83. Valentiner-Branth P., Steinsland H., Fischer T.K., Perch M., Scheutz F., Dias F., Aaby P., Molbak K., Sommerfelt H.: Cohort study of Guinean children: incidence, pathogenicity, conferred protection, and attributable risk for enteropathogens during the first 2 years of life. *J. Clin. Microbiol.* **41**, 4238–4245 (2003)
84. Wang L., Zhang S., Zheng D., Fuijkara S., Wakabayashi A., Okahata K., Suzuki M., Saeki A., Nakamura H., Hara-Kudo Y., Kage-Nakadai E., Nishikawa Y.: Prevalence of diarrheagenic *Escherichia coli* in food and fecal specimens obtained from cattle, pigs, chickens, asymptomatic carriers, and patients in Osaka and Hyogo, Japan. *Jpn. J. Infect. Dis.* **70**, 464–469 (2017)
85. Yamamoto T., Koyama Y., Matsumoto M., Sonoda E., Nakayama S., Uchimura M., Paveenkittiporn W., Tamura K., Yokota T., Echeverria P.: Localized, aggregative, and diffuse adherence to HeLa cells, plastic, and human small intestines by *Escherichia coli* isolated from patients with diarrhea. *J. Infect. Dis.* **166**, 1295–1310 (1992)

ESCHERICHIA COLI O ROZSIANYM TYPIE ADHEZJI

Michał Turniak, Beata Sobieszkańska*

Katedra i Zakład Mikrobiologii, Uniwersytet Medyczny we Wrocławiu

Wpłynęło w styczniu, zaakceptowano w marcu 2019 r.

Streszczenie: Dyfuzyjno-adherentne szczepy *Escherichia coli* (DAEC) są jednym z siedmiu chorobotwórczych patowarów odpowiedzialnych za zakażenia przewodu pokarmowego u ludzi. DAEC są zróżnicowaną grupą szczepów, wytwarzających liczne adhezyny fimbrialne i afimbrialne, które warunkują chorobotwórczość tych szczepów *E. coli* oraz ich specyficzny, rozsiany typ adhezji do komórek nabłonka. Izolaty DAEC są wykrywane nie tylko u ludzi, ale także u różnych grup zwierząt (psów, cieląt, bydła, drobiu, świń). Duże zróżnicowanie genów kodujących adhezyny utrudnia wykrywanie zakażeń wywołanych przez DAEC, co przyczynia się do pomijania tych patogenów w rutynowej diagnostyce zakażeń przewodu pokarmowego i moczowego.

1. Wprowadzenie. 2. Rodzina adhezyn Afa/Dr. 3. Podział szczepów DAEC. 4. Inne czynniki wirulencji DAEC. 5. Chorobotwórczość DAEC. 5.1. Zakażenia układu moczowego. 5.2. Zakażenia przewodu pokarmowego. 6. Odpowiedź immunologiczna z zakażeniami DAEC. 7. Patomechanizm zakażeń DAEC. 7.1. Internalizacja DAEC. 8. Epidemiologia zakażeń szczepami DAEC. 9. Diagnostyka. 10. Podsumowanie

DIFFUSELY ADHERING ESCHERICHIA COLI

Abstract: Diffusely adhering *E. coli* strains (DAEC) is one of the seven pathovars of pathogenic *E. coli* causing intestinal infections in humans. DAEC is a diverse group of strains producing fimbrial or afimbrial adhesins that are responsible for their pathogenicity specific diffuse adherence pattern to epithelial cells. DAEC isolates are detected not only in humans, but also in various groups of animals (dogs, calves, cattle, poultry, pigs). Large variation of genes encoding adhesins contributes to the omission of DAEC in the routine diagnosis of gastrointestinal and urinary tract infections.

1. Introduction. 2. Afa/Dr family of adhesins. 3. Division of DAEC strains. 4. Other virulence factors of DAEC. 5. Pathogenicity of DAEC. 5.1. Urinary tract infections. 5.2. Gastrointestinal tract infections. 6. Immunological response in DAEC infections. 7. Pathomechanism of infections caused by DAEC. 7.1. Internalization of DAEC. 8. Epidemiology of DAEC. 9. Diagnosis. 10. Summary

Słowa kluczowe: dyfuzyjno-adherentne *E. coli*, DAEC, operony *afa/dr/daa*, biegunka, zakażenia układu moczowego
Key words: diffusely adhering *E. coli*, DAEC, *afa/dr/daa* operons, diarrhea, urinary tract infection

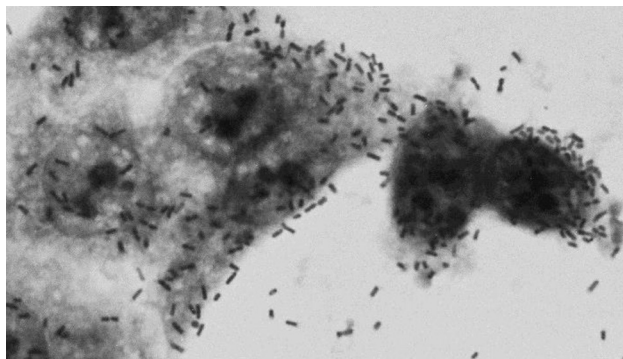
1. Wprowadzenie

Pałeczka okrężnicy – *Escherichia coli* jest fakultatywnym beztlenowcem wchodzącym w skład mikrobiota okrężnicy człowieka. Organizm ten kolonizuje jelita noworodków już w pierwszych godzinach życia. Większość pałeczek *E. coli* jest nieszkodliwa a jej występowanie ogranicza się do przewodu pokarmowego. Tym nie mniej, u osób osłabionych, u chorych z immunosupresją, a także w wyniku naruszenia bariery nabłonka jelita nawet te niepatogenne szczepy *E. coli* mogą powodować pozajelitowe zakażenia u ludzi np. zakażenia dróg moczowych, krwi, ran i inne. Obok niepatogennych szczepów *E. coli* kolonizujących jelito człowieka, duża grupa szczepów jest patogenna dla ludzi i zwierząt [18, 61]. Patogenne pałeczki *E. coli* obejmują szczepy związane z zakażeniami przewodu pokarmowego oraz szczepy wywołujące zakażenia poza przewodem pokarmowym. Szczepy *E. coli* odpowiedzialne za zakażenia jelit w zależności od wytwarzanych przez nie czynników

wirulencji podzielone zostały na następujące patowary: enteropatogenne *E. coli* (EPEC), *E. coli* wytwarzające toksynę Shiga (STEC) wraz podgrupą enterokrwotocznych *E. coli* (EHEC), enteroinwazyjne *E. coli* (EIEC), enteroagregacyjne *E. coli* (EAEC), enterotoksynogenne *E. coli* (ETEC), adherentno-inwazyjne *E. coli* (AIEC) oraz dyfuzyjno-adherentne *E. coli* (DAEC). Szczepy *E. coli* wywołujące zakażenia pozajelitowe (ExPEC; Extraintestinal Pathogenic *Escherichia coli*), obejmują uropatogenne szczepy *E. coli* (UPEC; Uropathogenic *Escherichia coli*) odpowiedzialne za zakażenia układu moczowego oraz szczepy *E. coli* (NMEC; Neonatal Meningitis *Escherichia coli*), posiadające otoczkę K1, które wywołują zapalenie opon mózgowo-rdzeniowych u noworodków [20, 38].

Szczepy DEAC są niezwykle heterogenną grupą potencjalnie patogennych *E. coli*, które cechuje rozsiany typ adhezji DA (Diffuse Adherence) do komórek nabłonka, niezależnie od typu wytwarzanych adhezyn należących do rodziny adhezyn Afa/Dr (Ryc. 1).

* Autor korespondencyjny: prof. dr hab. Beata Sobieszkańska; Katedra i Zakład Mikrobiologii; Wydział Lekarski; Uniwersytet Medyczny im. Piastów Śląskich we Wrocławiu; ul. Chałubińskiego 4; 50-367 Wrocław; tel. 71 784 13 08; e-mail: beata.sobieszkańska@umed.wroc.pl



Ryc. 1. Dyfuzyjny typ adhezji do komórek nabłonka raka krtani HEP-2. Preparat barwiony metodą Giemsa. Powiększenie 100x.

2. Rodzina adhezyn Afa/Dr

Rodzina adhezyn Afa/Dr obejmuje adhezyny fimbrialne, swoiste dla patotypu DAEC tj. fimbrie Dr i F1845, a także adhezyny spokrewnione z adhezynami swoistymi dla patotypu EAEC tj. fimbrie AAF-I, AAF-II, AAF-III i HdaA oraz adhezyny niefimbrialne (AfaE-I, AfaE-22, AfaE-III, AfaE-V, AfaE-VII, AfaE-VIII, Dr-II i NFA-1) (Tab. I) [63, 76, 77]. Adhezyna AfaE-VII występuje u szczepów DAEC izolowanych od bydła, natomiast AfaE-VIII u szczepów izolowanych od ludzi i zwierząt. Z kolei fimbrie agregacyjne AAF-I, AAF-II i AAF-III typowe dla patowaru EAEC stanowią daleko spokrewnione adhezyny rodziny Afa/Dr. Receptorem dla wielu adhezyn Afa/Dr jest czynnik przyspieszający rozpad hDAF (CD55) (human Decay-Accelerating Factor). Ponadto, adhezyny AfaE-III, Dr i F1845 łączą się z ludzkimi cząstkami antygenów rakowo- płodowych hCEACAM-1 i hCEACAM-6 (human Carcinoembryo-

genic Antigen related Cell Adherence Molecules) oraz CEA (Carcinoembryogenic Antigen), który również jest receptorem dla adhezyny NFA-1. Dodatkowo, adhezyna Dr łączy się z kolagenem typu IV. Nieznany jest natomiast receptor dla adhezyny AfaE-VIII [51] (Ryc. 2).

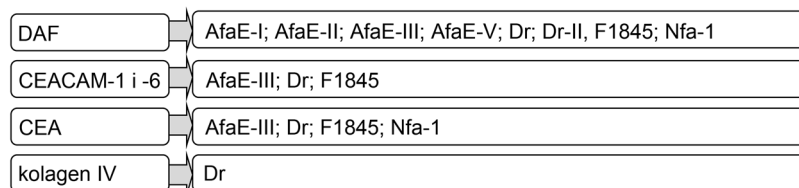
Operony kodujące adhezyny Afa, Dr i F1845 tj. operony *afa*, *dra* i *daa* mają podobną organizację genetyczną i składają się z co najmniej pięciu, konserwatywnych w rodzinie adhezyn Afa/Dr genów (*a-d*), które kodują białka pomocnicze oraz zróżnicowanego genu *afaE*, który koduje właściwe białko adhezyjne AfaE [76]. Dotychczas zostały szczegółowo przebadane pod kątem organizacji genetycznej, rozpoznawanych receptorów i roli w patogenezie zakażeń wywoływanych u ludzi tylko adhezyny AfaE-I, AfaE-III, Dr, Dr-II oraz F1845.

AfaE-I jest afimbrialną adhezyną typowych szczepów DAEC, którą po raz pierwszy opisano u szczepu *E. coli* KS52 izolowanego z przypadku zakażenia układu moczowego. AfaE-I występuje również u szczepów DAEC odpowiedzialnych za biegunki. Adhezyna ta wykazuje mannozo-oporną hemaglutynację i jest w 32% identyczna pod względem sekwencji aminokwasów z adhezyną Dr. Adhezynę identyczną w 98% pod względem sekwencji amonikowasów z adhezyną AfaE-I opisano ponadto u prototypowego szczepu reprezentującego EPEC, określonego na podstawie typu elektroforetycznego jako typ ET5, który zaliczono do atypowych DAEC. Typ ET5 obejmuje serotypy *E. coli* O55:H-i O55:H7. Poza zdolnością dyfuzyjnej adhezji, szczepy należące do typu ET5 mają geny wirulencji typowe dla EPEC. Są to geny związane ze zdolnością do indukowania zmian histopatologicznych w komórkach nabłonka tzw. AE (Attaching Effacing), polegających na zatarciu struktury mikrokosmków, które są podobne

Tabela I
Rodzina adhezyn Afa/Dr

Adhezyna	Typ	Gospodarz szczepów	Kolagen typu IV ¹	hDAF ²	hCEACAM ³ , CEA ⁴
AfaE-I	afimbrialna	człowiek	-	+	-
AfaE-II	afimbrialna	człowiek	nie określono	+	nie określono
AfaE-III	afimbrialna	człowiek	-	+	+
AfaE-V	afimbrialna	człowiek	nie określono	+	nie określono
AfaE-VII	afimbrialna	bydło	nie określono	-	nie określono
AfaE-VIII	afimbrialna	ludzie, zwierzęta	nie określono	-	nie określono
Dr	fimbrie	człowiek	+	+	+
Dr-II	afimbrialna	człowiek	-	+	-
F1845	fimbrie	człowiek	-	+	+
NFA-1	afimbrialna	człowiek	nie określono	+	nie określono
AAF-I – AAF-III	fimbrie	człowiek	nie określono	nie określono	nie określono
HdaA	fimbrie	człowiek	nie określono	nie określono	nie określono

¹ kolagen typu IV jest podstawowym składnikiem strukturalnym macierzy pozakomórkowej blaszki podstawnej, na której rezydują komórki nabłonka, wytwarzanych przez komórki nabłonka; ² hDAF (ang. decay accelerating factor) czynnik przyspieszający rozpad; ³ hCEACAM-1 i hCEACAM-6 antygeny rakowo- płodowe (ang. human carcinoembryogenic antigen related cell adherence molecules) oraz ⁴ CEA (ang. carcinoembryogenic antigen). Na podstawie [68].



Ryc. 2. Receptory dla adhezyn szczepów DAEC patogennych dla ludzi

do tych indukowanych adhezją EPEC. U EPEC zmiany typu AE warunkują zlokalizowany typ adhezji LA (Localized Adherence), stąd typ ET5 prezentuje mieszany typ adhezji LA-DA [40, 76].

Afimbrialna adhezyna AfaE-III DAEC po raz pierwszy opisana została u szczepu *E. coli* A30 odpowiedzialnego za zakażenie układu moczowego [51]. Adhezyna ta wykazuje 98% homologii pod względem sekwencji aminokwasów z adhezyną Dr, ale w przeciwieństwie do niej warunkuje adhezję do komórek nabłonka, hamowaną przez chloramfenikol. Ponadto, zespół genów kodujących AfaE-III jest blisko spokrewniony z operonem *daa*, kodującym fimbrie F1845. Produkty genów *afaA* oraz *afaF* operonu *afa-3* są homologiczne z białkami PapI-PapB UPEC [23].

Dr adhezyna kodowana jest przez zespół genów operonu *dra*, który warunkuje mannozo-oporną adhezję tych szczepów do komórek nabłonka. Prototypowym szczepem *E. coli*, u którego opisano adhezynę Dr jest szczep IH11128 (O75:K5:H-). Z kolei adhezynę Dr-II opisano po raz pierwszy u szczepu *E. coli* EC7372 izolowanego z przypadku kłębuszkowego zapalenia nerek. Adhezyna Dr-II wykazuje tylko 20% podobieństwo z adhezynami rodziny Afa/Dr, ale aż 96% homologię sekwencji aminokwasów z adhezyną NFA-1, występującą wśród szczepów *E. coli* odpowiedzialnych za zakażenie układu moczowego. Tym niemniej, pomimo niskiego stopnia podobieństwa adhezyny Dr-II i adhezyn Afa/Dr, oba typy adhezyn cechuje podobna organizacja genetyczna operonów kodujących te antygeny. Dodatkowo, szczep EC7372 posiada wyspę patogenności PAI (Pathogenicity Island) podobną do PAI_{CF1073} swoistej dla UPEC wraz z genami kodującymi hemolizynę HlyA oraz operony kodujące fimbrie Pap. W przeciwieństwie do innych *E. coli* Afa/Dr-dodatnich, szczep EC7372 indukuje apoptozę i nekrozę komórek nabłonka [30, 70, 76].

Adhezyna fimbrialna F1845 szczepów DAEC odpowiada za rozsiały typ adhezji szczepu *E. coli* C1845, który izolowano z przypadku dziecięcej, przewlekłej biegunki. Badania szczepu C1845 na modelu zwierzęcym wykazały, że indukuje on zanik komórek nabłonka okrężnicy u prosiąt [7]. Operon kodujący fimbrie F185 obejmuje 5 genów *daaA*, *daaB*, *daaC*, *daaD* i *daaE* zlokalizowanych na plazmidzie lub na chromosomie u szczepów DAEC podobnych do *E. coli* C1845 a odpowiedzialnych za biegunki. Adhezyna F1845 jest w 57% identyczna pod

względem sekwencji aminokwasów z fimbriami Dr [6, 48]. W 1989 r. Bilge i wsp. [7] opracowali diagnostyczną sondę DNA dla patotypu DAEC, która zawiera fragment genu *daaC*, należącego do operonu kodującego fimbrie F1845. Sonda ta jednakże identyfikuje tylko część szczepów DAEC, a min. szczepy wytwarzające adhezyny należące do rodziny Afa/Dr, m.in. fimbrie F1845. Ponadto, sonda *daaC* hybryduje krzyżowo z genem *aafC*, kodującym fimbrie agregacyjne AAF-II. Dodatkowo, wykazano dodatnią hybrydyzację sondy *daaC* z niewielkim odsetkiem szczepów niewykazujących adhezji do komórek nabłonka [7]. Tym niemniej, badania epidemiologiczne z sondą DNA *daaC* wykazały związek szczepów Afa/Dr DAEC z biegunkami u dzieci powyżej 2 roku życia [76]. Pomimo, że swoistość tej sondy jest oceniana na ponad 95%, jej czułość wynosi tylko ok. 60%. Według badań Scaletsky i wsp. [73] czułość sondy *daaC* w teście hybrydyzacji 185 szczepów *E. coli* o rozsiały typ adhezji wynosiła 64,3%. Z kolei Lozer i wsp. [55] porównali częstość wykrywania szczepów patotypu DAEC metodą hybrydyzacji z sondą *daaC* oraz w reakcji PCR z genami kodującymi adhezyny *afa*. Patotyp DAEC badacze ci potwierdzili u 19,1% spośród 560 badanych szczepów *E. coli* za pomocą sondy *daaC* oraz u 25,5% szczepów w reakcji PCR.

Adhezyna AIDA-I jest autotransportowym białkiem błony zewnętrznej o m.c. 100 kDa, które po raz pierwszy zostało opisane u szczepu *E. coli* O126:H27, izolowanego z przypadku biegunki niemowlęcej przez Benz i wsp. [5]. Białko AIDA-I jest antygenem trójskładnikowym, złożonym z funkcjonalnej α -domeny, która pośredniczy w swoistym wiązaniu *E. coli* z komórką gospodarza oraz translokatora β (AIDA^c) [42, 43, 44, 62]. Ekspresja AIDA-I zależy od aktywności dwóch plazmidowych genów tj. *aida*, który koduje białko prekursorowe o m.c. 132 kDa potranslacyjnie modyfikowane przez produkt genu *aah* (autotransporter adhesin heptosyltransferase) do dojrzałej glikoproteiny AIDA-I [44]. Po sekrecji AIDA-I pozostaje niekovalentnie związana z powierzchnią bakterii. Zdolność AIDA-I do samoskupiania się w agregaty spowodowała, że białko to zaliczono do nowej grupy białek autotransportowych oznaczonych jako SAATs (self-associating autotransporters), która poza AIDA-I obejmuje antygen ag43 odpowiedzialny za autoagregację licznych, patogennych i niepatogennych szczepów *E. coli* oraz

TibA, adhezyne-inwazyjne ETEC [16]. Poza adhezją do komórek nabłonka AIDA-I zaangażowana jest w formowanie biofilmu przez pałeczki *E. coli* [78].

Poza patowarem DAEC adhezyne AIDA-I wykryto u innych, patogennych szczepów *E. coli* m.in. ETEC, wytwarzających enterotoksynę ciepłostalą STb oraz u szczepów patotypu STEC, wytwarzających toksynę shiga Stx2 i fimbrie F18. Obecność AIDA-I stwierdzono także wśród atypowych szczepów EPEC [22, 76, 80]. Receptorem dla adhezyny AIDA-I jest N-glikozylowana glikoproteina pg119, obecna na wielu typach komórek ludzkich i zwierzęcych [44]. Szczepy DAEC AIDA-I-dodatnie odpowiedzialne są za biegunki u niemowląt. Adhezja do komórek nabłonka jelita za pośrednictwem AIDA-I stymuluje u bakterii syntezę i sekrecję do cytozolu komórki gospodarza białek efektorowych EspA, EspB i EspD, które indukują reorganizację białek cytoszkieletu komórki połączoną z akumulacją aktywny pod przylegającymi *E. coli*. Powstałe zmiany histopatologiczne w komórkach nabłonka przypominają zmiany A/E indukowane adhezją EPEC, stąd szczepy posiadające tę adhezyne zaliczane są do patowaru EPEC [76, 77].

3. Podział szczepów DAEC

Na podstawie prezentowanych adhezyn oraz ich receptorów szczepy DAEC podzielone zostały na dwie podstawowe grupy tj. typowe DAEC, które wiążą się z receptorem hDAF oraz atypowe DAEC, które nie wiążą czynnika hDAF. Każda z tych grup jest podzielona na dwie podklasy. Typowe DAEC podklasy 1, obejmują szczepy posiadające adhezyny Afa/Dr, które wiążą się z antygenem CEA (Afa/Dr_{CEA}) tj. szczepy Afa-III, Dr oraz F1845. Druga podklasa typowych DAEC obejmuje szczepy nie wiążące się z antygenem CEA tj. szczepy AfaE-I oraz Dr-II. Atypowe DAEC podklasy 1 obejmują szczepy prezentujące adhezyny AfaE-VII, AfaE-VIII, AAF-I, AAF-II oraz AAF-III. Druga podklasa atypowych DAEC posiada adhezyny Afa/Dr oraz

inne, które prezentują rozsiały typ adhezji DA. Do tej grupy zaliczane są szczepy DA-EPEC, prezentujące adhezyne AIDA-I oraz posiadające wyspę patogenności homologiczną do wyspy patogenności LEE (locus of enterocyte effacement) EPEC oraz typ ET5, który również posiada wyspę patogenności LEE i adhezyne AfaE-I [76]. (Ryc. 3.)

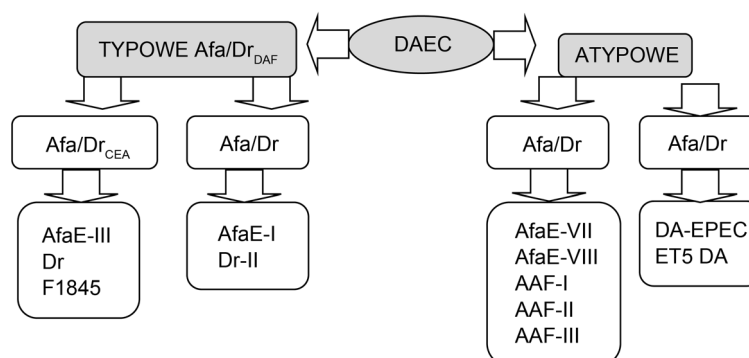
4. Inne czynniki wirulencji szczepów DAEC

Wiele szczepów patowaru DEAC posiada liczne geny kodujące systemy wychwyty jonów żelaza. Prawie połowa tych szczepów wykazuje obecność genu *irp2* należącego do operonu kodującego jersiniobaktyne tj. siderofor swoisty dla pałeczek z rodzaju *Yersinia*. Ponadto, wśród izolatów DAEC wykazano gen *icuB*, który jest częścią operonu kodującego aerobaktyne tj. siderofor syntetyzowany przez niektóre szczepy *E. coli* oraz pałeczki *Shigella*, następnie gen *shuA* operonu umożliwiającego wykorzystywanie hemu, który swoiście występuje u pałeczek *Shigella* oraz gen *iroN*, kodujący siderofor katecholowy salmochelinę, powszechny wśród pałeczek *E. coli* odpowiedzialnych za zakażenia krwi oraz zakażenia układu moczowego. Dodatkowo, niektóre szczepy DAEC posiadają gen *modD* należący do operonu kodującego system transportu molibdenu [9, 22, 76]. Wiele szczepów DAEC wykazuje ponadto zdolność syntezy toksyny Sat, należącej do podrodziny autotransportowych proteaz serynowych rodziny *Enterobacteriaceae* SPATE (Secreted Autorporter Toxin of *Enterobacteriaceae*) [31].

5. Chorobotwórczość szczepów DAEC

5.1. Zakażenia układu moczowego

Afa/Dr DAEC odpowiadają za 25–50% przypadków zapalenia pęcherza moczowego u dzieci i 30% przypadków odmiedniczkowego zapalenia nerek u dorosłych,



Ryc. 3. Schemat podziału szczepów *E. coli* o rozsiałym typie adhezji

szczególnie kobiet w ciąży [76, 77]. Ponadto, szczepy *E. coli* prezentujące adhezyny Dr związane są z dwukrotnie wyższym ryzykiem nawrotu zakażenia układu moczowego, co sugeruje ich udział w nawracających lub chronicznych zakażeniach tego układu [51].

5.2. Zakażenia przewodu pokarmowego

Afa/Dr-dodatnie *E. coli* wywołują biegunki u dzieci między 2 a 5 rokiem życia. Ograniczenie występowania biegunek do tej grupy wiekowej może być spowodowane strukturalną i funkcjonalną niedojrzałością jelitowej bariery nabłonka i brakiem mechanizmów obronnych [77]. Szczepy te nie powodują biegunek u osób dorosłych, nawet u ochotników, którym podano doustnie dziki, patogenny szczep C1845. Tym niemniej, *E. coli* posiadające geny *daaC* i *afaBC* izolowane są częściej niż od osób zdrowych od osób z chorobą Crohna oraz rakiem okrężnicy [72]. Szczepy *afa-1*-dodatnie izolowane od tych chorych wykazują adhezję i inwazję do zróżnicowanych komórek nabłonka, a także indukują zwiększoną ekspresję mRNA czynnika wzrostu komórek śródbłonka VEGF (Vascular Endothelial Growth Factor), promującego neoangiogenezę w guzach nowotworowych. Ponadto, część szczepów *afaC*-dodatnich posiada genotoksyczną wyspę patogenności *pks*, niosącą geny kodujące zdolność syntezy kolibaktyny tj. genotoksyny uszkadzającej DNA komórek gospodarza. Dodatkowo szczepy te nierzadko prezentują fimbrie LpfA (Long polar fimbria), umożliwiające translokację bakterii w stanie nietkniętym przez komórki M błony śluzowej jelit oraz geny kodujące białka stresu HtrA i DsbA, które umożliwiają *E. coli* przeżywanie w makrofagach. Oba te geny są swoiście związane z patotypem AIEC występującym u osób z chorobą Crohna [13, 14, 58, 64].

6. Odpowiedź immunologiczna w zakażeniach DAEC

Zakażenie szczepami DAEC indukuje silną odpowiedź immunologiczną. Betis i wsp. [64] w badaniach *in vitro* wykazali, że adhezja szczepów Afa/Dr DEAC do spolaryzowanych komórek nabłonka jelita za pośrednictwem receptora hDAF stymuluje uwalnianie IL-8 do przestrzeni podstawno-bocznych, co indukuje migrację leukocytów wielojądrzastych PMNL (Polymorphonuclear Leukocytes) przez nabłonek jelita [75]. Migracja PMNL przez warstwę nabłonka związana jest z sekrecją cytokin TNF α oraz IL-1 β przez enterocyty. Wydzielane cytokiny prozapalne zwiększają z kolei ekspresję czynnika hDAF na powierzchni enterocytów, wzmagając w ten sposób adhezję DAEC. Hardin i wsp. [34] wykazali, że IL-1 β przyczynia się do zmian fizjologicznych nabłonka jelita pod wpływem zapale-

nia indukowanego zakażeniem. Cytokina ta bowiem stymuluje sekrecję anionów, hamuje absorpcję jonów Na⁺ i Cl⁻ oraz zależy od transportera jonów sodu i glukozy SGLT-1 (Sodium-Glucose Transport protein-1) transport glukozy, co ostatecznie przyczynia się do rozwoju biegunki. Brest i wsp. [12] wykazali natomiast, że choć szczepy DAEC indukują napływ neutrofilów w błonie śluzowej jelit, są znacznie słabiej fagocytowane przez leukocyty w porównaniu z niepatogennym, kontrolnym szczepem *E. coli* DH5 α . Zakażenie PMNL szczepami Afa/Dr indukuje spontaniczną apoptozę większości leukocytów, charakteryzującą się zmianami morfologicznymi jądra komórkowego, fragmentacją DNA, aktywacją kaspaz oraz wysoką ekspresją aneksyny V. Rekombinowane szczepy *E. coli*, którym wprowadzono geny kodujące adhezyny Afa/Dr (Afa-I, Afa-III, Dr i F1845), choć przylegają do neutrofilów nie są przez nie pochłaniane. Badania te sugerują, że interakcja *E. coli* Afa/Dr z PMNL zwiększa wirulencję tych szczepów poprzez indukcję apoptozy leukocytów i obniżanie ich zdolności fagocytarnych [12]. Tieng i wsp. [82] przedstawili dowody na wpływ adhezji DAEC i ich interakcji z receptorem hDAF na pobudzenie nieswoistej odpowiedzi immunologicznej za pośrednictwem cząstek MICA (MHC class I polypeptide-related sequence). MICA są homologami antygenów zgodności tkankowej klasy I (MHC-I), występującymi na komórkach nabłonka jelita i stanowią ligandy dla receptorów komórek zaangażowanych w nieswoistą, wrodzoną odpowiedź immunologiczną tj. limfocytów T $\gamma\delta$, komórek CD8+, limfocytów T $\alpha\beta$ oraz komórek NK. Interakcja DAEC z receptorem hDAF zwiększa ekspresję cząstek MICA, co z kolei pobudza sekrecję interferonu γ (IFN γ) przez komórki NK (natural kiler), zwiększając stan zapalny nabłonka jelita. Łącząc się z hDAF szczepy Afa/Dr DAEC aktywują szlaki sygnałowe angażujące kinazy białkowe Erk/MAP, co pobudza komórki nabłonka do syntezy i sekrecji IL-8 [15]. Dodatkowo, interakcja szczepów DEAC z receptorem hDAF indukuje wzrost ekspresji i syntezy bioaktywnego czynnika wzrostu komórek śródbłonka VEGF przez komórki nabłonka. Badania epidemiologiczne wskazują, iż szczepy Afa/Dr często kolonizują błonę śluzową jelita chorych na nieswoiste zapalenie jelit oraz chorych z gruczolakorakiem okrężnicy, choć ich rola w rozwoju tych chronicznych chorób jelit pozostaje niewyjaśniona [57].

7. Patomechanizm zakażeń szczepami DAEC

Yamamoto i wsp. [85] po raz pierwszy zaobserwowali zmiany w cytoszkieletcie komórek nabłonka Hela, zachodzące pod wpływem adhezji DAEC. Następnie Peiffer i wsp. [69] wykazali, że interakcja szczepu C1845

z receptorem hDAF na powierzchni komórek nabłonka promuje wydłużanie mikrokosmków a procesowi temu towarzyszy wzrost przepuszczalności nabłonka i zmiany dystrybucji białek ciasnych połączeń. Część DAF zawiera cztery domeny SCR, region seryna/treonina oraz część glikozylofosfatydyloinozytolową zakotwiczącą hDAF w błonie komórkowej. Domena SCR-3, która odpowiada za ochronne działanie hDAF przed toksycznym działaniem kaskady dopełniacza wobec komórek, jest również receptorem wiążącym adhezyny Dr. Interakcja z DAEC z hDAF indukuje akumulację cząstek hDAF pod przylegającymi bakteriami, co aktywuje kaskadę sygnałów angażujących kinazy tyrozynowe, fosfolipazę C γ , 3-kinazę 3 fosfotydyloinozytolu (PI3K), kinazę C oraz prowadzi do wewnątrzkomórkowego wzrostu stężenia jonów wapnia. Wzrost stężenia jonów wapnia moduluje konformację białek cytoszkieletu rąbka szczoteczki poprzez zależne od wapnia białka wiążące włókna aktyny tj. wilinę i fimbrinę. Wilina jest zaangażowana w organizację aktyny i przy niskim stężeniu jonów wapnia wiąże filamenty aktyny. Jednak, wzrost stężenia jonów wapnia indukuje fragmentację wiliny, co z kolei prowadzi do depolimeryzacji F-aktyny w szczytowej części mikrokosmków. Redystrybucji białek cytoszkieletu komórkowego towarzyszy obniżenie ekspresji aktywności enzymów trawiennych rąbka szczoteczki tj. sacharozy-izomaltazy (SI), dipeptydylopeptydazy IV (DPPIV) oraz transporterów glukozy (SGLT-1) i fruktozy (GLUT-5), mogące prowadzić do rozwoju biegunki [4, 28, 51, 68, 69]. Zdaniem badaczy konsekwencją patofizjologiczną obserwowanych zjawisk może być zmiana gradientu elektrochemicznego nabłonka jelita skutkująca rozwojem biegunki lub indukcją odpowiedzi immunologicznej. Badania Taddei i wsp. [81] wykazały, że za reorganizację białek ciasnych połączeń tj. ZO-1, ZO-3 oraz okludyny, pełniące kluczową rolę w uszczelnianiu połączenia między komórkami nabłonka odpowiada ugrupowanie serynowe toksyny Sat. Guignot i wsp. [31] wykazali, że większość, bo 88% szczepów DAEC związanych z zakażeniami układu moczowego, a także około 46% szczepów DAEC odpowiedzialnych za biegunki u dzieci posiada gen *sat*, kodujący tą toksynę [31]. Genu kodującego toksynę Sat badacze ci nie wykazali jednak u szczepów DAEC izolowanych od dzieci zdrowych.

Z kolei badania Selvarangan i wsp. [74] na modelu mysim wykazały, że wiązanie DAEC z kolagenem ma zasadnicze znaczenie w patomechanizmie chronicznego zapalenia kłębuszków nerkowych. Mutanty izogeniczne pozbawione antygeny DraE, a tym samym zdolności wiązania z kolagenem, choć nadal zdolne do wiązania czynnika hDAF, są szybko usuwane z nerek zwierząt, w przeciwieństwie do dzikiego szczepu rodzicielskiego DraE-dodatniego. Szczepy Dr-dodatnie wykazują tropizm do błon podstawnych kłębuszków nerkowych

i zdolność wywoływania przewlekłego zapalenia nerek. Nowicki i wsp. [63] wykazali, że zakażenie dróg moczowych szczepem Afa/Dr IH11128 prowadziło do znacznych zmian histopatologicznych, odpowiadających atrofii kanalików nerkowych, śródmiąższowemu zapaleniu nerek oraz włóknieniu mięszu nerek. Zakażenia układu moczowego wywoływane przez szczepy DAEC mogą być szczególnie niebezpieczne dla kobiet w ciąży. Na eksperymentalnym modelu mysim chronicznego zapalenia kłębuszków nerkowych wywołanym przez szczepy Dr-dodatnie, Kaul i wsp. [39] wykazali, że prawie 90% ciężarnych samic myszy zakażonych szczepem Dr-dodatnim rodziła potomstwo przedterminowo w porównaniu do 10% myszy zakażonych szczepami *E. coli* nie posiadającymi adhezyny Dr.

7.1. Internalizacja DAEC

Operon Afa/Dr koduje m.in. adhezyny AfaD i DraD, pełniące równocześnie rolę inwazyjnych w procesie internalizacji DAEC przez komórki nabłonka na drodze niezależnej od receptorów komórkowych hDAF oraz CEACAM5, ale angażującej kalweoliny, dynamiczne mikrotubule oraz interakcję z integryną $\alpha 5\beta 1$ [9]. Czynniki wirulencji biorące udział w internalizacji DAEC zostały poznane jedynie częściowo. Wyniki badań wskazują, że poza inwazyjną AfaD, ważną rolę w procesie internalizacji DAEC przez komórki nabłonka odgrywa adhezyna DraE fimbrii Dr [63]. Oczyszczone fimbrie Dr opłaszczony na polistyrenowych kulkach pobudzają klasteryzację receptorów i akumulację aktyny w miejscach adhezji nośnika antygeny Dr do komórki nabłonka, poprzedzając ich internalizację. Internalizację nośników opłaszczonych antygenem Dr hamują przeciwciała IgG skierowane przeciwko antygenowi Dr. Dodatkowo zaobserwowano, że wewnątrzkomórkowe *E. coli* posiadające antygen Dr nie wpływają na funkcjonalne różnicowanie się enterocytów. Według badań Guignot i wsp. [32] wewnątrzkomórkowe szczepy Dr-dodatnie tworzą skupiska wewnątrz wakuoli, w których bakterie przeżywiają w stanie „uśpienia”. Takie wewnątrzkomórkowe skupiska prawdopodobnie stanowią rezerwuuar *E. coli* w nawracających i chronicznych zakażeniach układu moczowego [32].

Inną inwazyjną opisaną u szczepów Afa/Dr jest konserwatywne wśród ludzkich szczepów *E. coli* Afa-dodatnich białko AfaD. Podobnie jak AfaE, białko AfaD jest ekspozowane na powierzchni komórki bakteryjnej, ale w przeciwieństwie do AfaE, może złuszczać się z powierzchni bakterii i podlegać internalizacji przez komórki gospodarza. Rolę AfaD w procesie inwazji szczepów Afa/Dr potwierdziły badania z zastosowaniem poliwęglowego nośnika opłaszczony antygenem AfaD, który był internalizowany przez komórki

nabłonka. AfaD uznana została za prototyp rodziny inwazyj, która obejmuje także białko AggB syntetyzowane przez szczepy EAEC [24].

8. Epidemiologia zakażeń szczepami DAEC

Epidemiologia szczepów DAEC odpowiedzialnych za biegunki pozostaje słabo poznana z uwagi na brak powszechnie dostępnych laboratoryjnych metod identyfikacji tych szczepów. Tym niemniej, szczepy DAEC zidentyfikowano jako czynnik etiologiczny biegunki u dzieci w Chile [45], Meksyku [25], Brazylii [54], Peru [65], Iranie [1], Kolumbii [29], Stanach Zjednoczonych [17]. Ponadto, szczepy DAEC wykryto u dzieci z biegunką w Tajlandii [21], Bangladeszu [3], Japonii [59, 84], Chinach [52], Nowej Kaledonii [26], Australii [33] oraz w krajach afrykańskich [66, 67, 83] i europejskich np. w Wielkiej Brytanii [41] i Francji [37, 71]. Szczepy DAEC równie często jak od dzieci z biegunką izolowane są od zdrowych dzieci i dorosłych, co utrudnia jednoznaczne ustalenie ich roli jako czynnika etiologicznego zakażeń przewodu pokarmowego. Dotychczas nieznanym jest także rezerwuuar szczepów DAEC i drogi ich transmisji. W nielicznych badaniach obecność szczepów DAEC potwierdzono w próbkach wody pitnej [36] oraz próbkach wody z systemów irygacyjnych [2]. Brak także danych na temat częstości występowania szczepów DAEC prezentujących adhezyny AfaE-I – AfaE-III, Dr oraz F1845 u zwierząt. Szczepy DEAC posiadające adhezyny afimbrialne AfaE-VII i AfaE-VIII wykryto natomiast u cieląt z biegunką lub posocznicą [47, 48]. Szczepy *afa-8*-dodatnie oraz szczepy posiadające geny powiązane z operonem *afa/dr* zidentyfikowano wśród izolatów *E. coli* od świń, drobiu i bydła [26, 35, 49, 50, 56], ale brak dowodów wskazujących na ich transmisję od zwierząt na człowieka.

9. Diagnostyka

Pomimo, że związek szczepów DAEC z zakażeniami, szczególnie dróg moczowych, znany jest od dawna, DAEC są pomijane w rutynowej diagnostyce zakażeń przewodu pokarmowego i moczowego. Jest to związane z ogromną różnorodnością genotypową tych szczepów. Fenotypowo znakomita większość szczepów DAEC prezentuje mannozo-oporny, rozsiany typ adhezji do komórek nabłonka [10, 60, 61]. Jednakże test adhezji *in vitro* jest czasochłonny oraz dość kosztowny, stąd nie jest stosowany w rutynowej diagnostyce. Poza tym, rozsiany typ adhezji mogą prezentować także inne patotypy *E. coli* [11, 46], co wyklucza jego zastosowanie w rutynowej diagnostyce. Testy molekularne z uwagi na niezwykłą różnorodność adhe-

zyn prezentowanych wśród szczepów DEAC również wydają się mało przydatne w rutynowej diagnostyce. Tym niemniej, badania epidemiologiczne oraz badania potencjału chorobotwórczego szczepów DAEC są podejmowane w ramach badań naukowych na całym świecie. Do badań genetycznych DAEC opracowano liczne sondy i startery pozwalające na wykrywanie powszechnych wśród tych szczepów adhezyn rodziny Afa/Dr np. *daaC*, *daaE*, *afaB* i *afaC* [7, 50]. Niestety, ostatnie badania dowodzą, że niektóre z opracowanych sond np. sonda *daaC*, powszechnie wykorzystywana do wykrywania szczepów Afa/Dr, reaguje krzyżowo ze szczepami EAEC, które również wywołują biegunkę, co ogranicza jej zastosowanie [54, 79]. Dodatkowym utrudnieniem diagnostyki zakażeń szczepami DAEC jest ich rozpowszechnienie wśród osób zdrowych.

10. Podsumowanie

Szczepy DAEC związane są z biegunkami u małych dzieci oraz zakażeniami układu moczowego. Chorobotwórczość oraz rozsiany typ adhezji tej grupy *E. coli* dyktują swoiste adhezyny fimbrialne i afimbrialne, reagujące z szerokim wachlarzem receptorów na powierzchni komórek nabłonka gospodarza. W licznych badaniach potwierdzono prozapalny wpływ adhezji DEAC na nabłonek jelita. Najnowsze dane wskazują na możliwy udział szczepów DAEC w procesie rozwoju raka jelita grubego oraz chorobie Leśniowskiego-Crohna. Z drugiej strony, szczepy DAEC są równie często jak od osób chorych, izolowane od osób zdrowych, co sugeruje, że potencjał patogenny tej grupy *E. coli* w dużym stopniu zależy od wytwarzanych przez nie czynników wirulencji oraz wieku zakażonych osób. Brak powszechnie dostępnych metod diagnostycznych utrudnia prawidłowe rozpoznawanie zakażeń wywoływanych przez DAEC, a tym samym możliwość leczenia, co w przypadku niektórych zakażeń np. układu moczowego, może prowadzić do poważnych następstw klinicznych.

Piśmiennictwo

1. Abbasi P., Kargar M., Doosi A., Mardareh J., Ghorbani-Dalini S., Dehyadegari M.A.: Molecular detection of diffusely adherent *Escherichia coli* strains associated with diarrhea in Shiraz, Iran. *Arch. Pediatr. Infect. Dis.* 5, e37629 (2017)
2. Aijuka M., Santiago A.E., Giron J.A., Nataro J.P., Buys E.M.: Enteroaggregative *Escherichia coli* is the predominant diarrheagenic *E. coli* pathotype among irrigation water and food sources in South Africa. *Int. J. Food Microbiol.* 278, 44–51 (2018)
3. Baqui A.H., Sack R.B., Black R.E., Haider K., Hossain A., Alim A.R., Yunus M., Chowdhury H.R., Siddique A.K.: Enteropathogens associated with acute and persistent diarrhea in Bangladeshi children less than 5 years of age. *J. Infect. Dis.* 166, 792–796 (1992)

4. Bernet-Camard M.F., Coconnier M.H., Hudault S., Servin A.L.: Pathogenicity of the diffusely adhering strain *Escherichia coli* C1845: F1845 adhesin-decay accelerating factor interaction, brush border microvillus injury, and actin disassembly in cultured human intestinal epithelial cells. *Infect. Immun.* **64**, 1918–1928 (1996)
5. Benz I., Schmidt M.A.: Isolation and serologic characterization of AIDA-I, the adhesin mediating the diffuse adherence phenotype of the diarrhea-associated *Escherichia coli* strain 2787 (O126: H27). *Infect. Immun.* **60**, 13–18 (1992).
6. Bétis F., Brest P., Hofman V., Guignot J., Bernet-Camard M.F., Rossi B., Servin A., Hofman P.: The Afa/Dr adhesins of diffusely adhering *Escherichia coli* stimulate interleukin-8 secretion, activate mitogen activated protein kinases, and promote polymorphonuclear transepithelial migration in T84 polarized epithelial cells. *Infect. Immun.* **71**, 1068–1074 (2003)
7. Bilge S.S., Clausen C.R., Lau W., Moseley S.L.: Molecular characterization of a fimbrial adhesin, F1845, mediating diffuse adherence of diarrhea-associated *Escherichia coli* to HEp-2 cells. *J. Bacteriol.* **171**, 4281–4289 (1989)
8. Bilge S.S., Apostol J.M., Fullner K.J., Moseley S.L.: Transcriptional organization of the F1845 fimbrial adhesin determinant of *Escherichia coli*. *Mol. Microbiol.* **7**, 993–1006 (1993)
9. Blanc-Potard A.B., Tinsley C., Scaletsky I., Le Bouguenec C., Guignot J., Servin A.L., Nassif X., Bernet-Camard M.F.: Representational difference analysis between Afa/Dr diffusely adhering *Escherichia coli* and nonpathogenic *E. coli* K12. *Infect. Immun.* **70**, 5503–5511 (2002)
10. Bouzari S., Jafari A., Farhodi-Moghaddam A.A., Shokouhi F., Parsi M.: Adherence of non-enteropathogenic *Escherichia coli* to HeLa cells. *J. Med. Microbiol.* **40**, 95–97 (1994)
11. Bouzari S., Jafari M.N., Shokouhi F., Parsi M., Jafari A.: Virulence-related sequences and adherence patterns in strains of enteropathogenic *Escherichia coli*. *FEMS Microbiol. Lett.* **185**, 89–93 (2000)
12. Brest P., Bétis F., Cuburu N., Selva E., Herrant M., Servin A., Auberger P., Hofman P.: Increased rate of apoptosis and diminished phagocytic ability of human neutrophils infected with Afa/Dr diffusely adhering *Escherichia coli* strains. *Infect. Immun.* **72**, 5741–5749 (2004)
13. Bringer M.A., Barnich N., Glasser A.L., Bardot O., Darfeuille-Michaud A.: HtrA stress protein is involved in intramacrophagic replication of adherent, invasive *Escherichia coli* strain LF82 isolated from a patient with Crohn's disease. *Infect. Immun.* **73**, 712–721 (2005)
14. Bringer M.A., Rolhion N., Glasser A.L., Darfeuille-Michaud A.: The oxidoreductase DsbA plays a key role in the ability of the Crohn's disease-associated adherent-invasive *Escherichia coli* strain LF82 to resist macrophage killing. *J. Bacteriol.* **189**, 4860–4871 (2007)
15. Cane G., Ginouves A., Marchetti S., Busca R., Pouyssegur J., Berra E., Hofman P., Vouret-Craviari V.: HIF-1 α mediates the induction of IL-8 and VEGF expression on infection with Afa/Dr diffusely adhering *E. coli* and promotes EMT-like behavior. *Cell. Microbiol.* **12**, 640–653 (2010)
16. Charbonneau M.E., Mourez M.: Functional organization of the autotransporter adhesin involved in diffuse adherence. *J. Bacteriol.* **189**, 9020–9029 (2007)
17. Cohen M.B., Nataro J.P., Bernstein D.I., Hawkins J., Roberts N., Staat M.A.: Prevalence of diarrheagenic *Escherichia coli* in acute childhood enteritis: a prospective controlled study. *J. Pediatr.* **146**, 54–61 (2005)
18. Croxen M.A., Law R.J., Scholz R., Keeney K.M., Wlodarska M., Finlay B.B.: Recent advances in understanding enteric pathogenic *Escherichia coli*. *Clin. Microbiol. Rev.* **26**, 822–880 (2013)
19. Cruz Spano L., da Cunha K.F., Monfardini M.V., de Cassia Bergamashi Fonesca R., Scaletsky I.C.: High prevalence of diarrheagenic *Escherichia coli* carrying toxin-encoding genes isolated from children and adults in Southeastern Brazil. *BMC Infect. Dis.* **17**, 773 (2017)
20. Darfeuille-Michaud A., Boudeau J., Bulois P., Neut C., Glasser A.L., Barnich N., Bringer M.A., Swidsinski A., Beaugerie L., Colombel J.F.: High prevalence of adherent-invasive *Escherichia coli* associated with ileal mucosa in Crohn's disease. *Gastroenterol.* **127**, 412–421 (2004)
21. Echeverria P., Serichantalerg O., Changchawalit S., Baudry B., Levine M.M., Orskov F., Orskov I.: Tissue culture-adherent *Escherichia coli* in infantile diarrhea. *J. Infect. Dis.* **165**, 141–143 (1992)
22. Escobar-Paramo P., Clermont O., Blanc-Potard A.B., Bui H., Le Bouguenec C., Denamur E.: A specific genetic background is required for acquisition and expression of virulence factors in *Escherichia coli*. *Mol. Biol. Evol.* **21**, 1085–1094 (2004)
23. Garcia M.I., Labigne A., Le Bouguenec C.: Nucleotide sequence of the afimbrial-adhesin-encoding *afa-3* gene cluster and its translocation via flanking IS1 insertion sequences. *J. Bacteriol.* **176**, 7601–7613 (1994).
24. Garcia M.I., Jouve M., Nataro J.P., Gounon P., Le Bouguenec C.: Characterization of the AfaD-like family of invasins encoded by pathogenic *Escherichia coli* associated with intestinal and extra-intestinal infections. *FEBS Lett.* **479**, 111–117 (2000)
25. Girón J.A., Jones T., Millán-Velasco F., Castro-Muñoz E., Zárate L., Fry J., Frankel G., Moseley S.L., Baudry B., Kaper J.B.: Diffuse-adhering *Escherichia coli* (DAEC) as a putative cause of diarrhea in Mayan children in Mexico. *J. Infect. Dis.* **163**, 507–513 (1991)
26. Gerardin J., Lalioui L., Jacquemin E., Le Bouguenec C., Mainil J.G.: The *afa*-related gene cluster in necrotogenic and other *Escherichia coli* from animals belongs to the *afa-8* variant. *Vet. Microbiol.* **76**, 175–184 (2000)
27. Germani Y., Begaud E., Duval P., Le Bouguenec C.: Prevalence of enteropathogenic, enteroaggregative, and diffusely adherent *Escherichia coli* among isolates from children with diarrhea in New Caledonia. *J. Infect. Dis.* **174**, 1124–1126 (1996)
28. Goluszko P., Selvarangan R., Popov V., Pham T., Wen J.W., Singhal J.: Decay-accelerating factor and cytoskeleton redistribution pattern in HeLa cells infected with recombinant *Escherichia coli* strains expressing Dr family of adhesins. *Infect. Immun.* **67**, 3989–3997 (1999)
29. Gómez-Duarte O.G., Arzuza O., Urbina D., Bai J., Guerra J., Montes O., Puello M., Mendoza K., Castro G.Y.: Detection of *Escherichia coli* enteropathogens by multiplex polymerase chain reaction from children's diarrheal stools in two Caribbean-Colombian cities. *Foodborne Pathog. Dis.* **7**, 199–206 (2010)
30. Guignot J., Peiffer I., Bernet-Camard M.F., Lublin D.M., Carnoy C., Moseley S.L., Servin A.L.: Recruitment of CD55 and CD66e brush border-associated glycosylphosphatidylinositol-anchored proteins by members of the Afa/Dr diffusely adhering family of *Escherichia coli* that infect the human polarized intestinal Caco-2/TC7 cells. *Infect. Immun.* **68**, 3554–3563 (2000).
31. Guignot J., Chaplais C., Cocounier-Polter M.H., Servin A.L.: The secreted autotransporter toxin, Sat, function as a virulence factor in Afa/Dr diffusely adhering *Escherichia coli* by promoting lesions in tight junction of polarized epithelial cells. *Cell. Microbiol.* **9**, 204–221 (2007)
32. Guignot J., Hudault S., Kansau I., Chau I., Servin A.L.: Human decay-accelerating factor and CEACAM receptor-mediated internalization and intracellular lifestyle of Afa/Dr diffusely adhering *Escherichia coli* in epithelial cells. *Infect. Immun.* **77**, 517–531 (2009)

33. Gunzburg S.T., Chang B.J., Elliott S.J., Burke V., Gracey M.: Diffuse and enteroaggregative patterns of adherence of enteric *Escherichia coli* isolated from aboriginal children from the Kimberley region of Western Australia. *J. Infect. Dis.* **167**, 755–758 (1993)
34. Hardin J., Kroeker K., Chung B., Gall D.G.: Effect of pro-inflammatory interleukins on jejunal nutrient transport. *Gut*, **47**, 184–191 (2000)
35. Hur J., Jeon B.W., Kim Y.J., Oh I.G., Lee J.H.: *Escherichia coli* isolates from calf diarrhea in Korea and their virulent genetic characteristics. *J. Vet. Med. Sci.* **75**, 519–522 (2013)
36. Igwaran A., Iweriebor B.C., Okoh A.I.: Molecular characterization and antimicrobial resistance pattern of *Escherichia coli* recovered from wastewater treatment plants in Eastern Cape South Africa. *Int. J. Environ. Res. Public Health* **15**, 1237 (2018)
37. Jallat C., Livrelli V., Darfeuille-Michaud A., Rich C., Joly B.: *Escherichia coli* strains involved in diarrhea in France: high prevalence and heterogeneity of diffusely adhering strains. *J. Clin. Microbiol.* **31**, 2031–2037 (1993)
38. Kaper J.B., Nataro J.P., Mobley H.L.: Pathogenic *Escherichia coli*. *Nat. Rev. Microbiol.* **2**, 123–140 (2004)
39. Kaul A.K., Kumar D., Nagamani M., Goluszko P., Nowicki S., Nowicki B.J.: Rapid cyclic changes in density and accessibility of endometrial ligands for *Escherichia coli* Dr fimbriae. *Infect. Immun.* **64**, 611–615 (1996)
40. Keller R., Ordóñez J.G., de Oliveira R.R., Trabulsi L.R., Baldwin T.J., Knutton S.: Afa, a diffuse adherence fibrillar adhesin associated with enteropathogenic *Escherichia coli*. *Infect. Immun.* **70**, 2681–2689 (2002)
41. Knutton S., Shaw R., Phillips A.D., Smith H.R., Willshaw G.A., Watson P., Price E.: Phenotypic and genetic analysis of diarrhea-associated *Escherichia coli* isolated from children in the United Kingdom. *J. Pediatr. Gastroenterol. Nutr.* **33**, 32–40 (2001)
42. Konieczny M.P., Suhr M., Noll A., Autenrieth I.B., Schmidt M.A.: Cell surface presentation of recombinant (poly-) peptides inducing functional epitopes by the AIDA autotransporter system. *Pathog. Dis.* **27**, 321–332 (2000)
43. Konieczny M.P., Benz I., Hollinderbaumer B., Beinke C., Niederweis H., Schmidt M.A.: Molecular organization of the AIDA autotransporter translocator: the N-terminal β 1-domain is surface-exposed and stabilizes the transmembrane β 2-domain. *Antonie van Leeuwenhoek*, **80**, 19–34 (2001)
44. Laarmann S., Schmidt M.A.: The *Escherichia coli* AIDA autotransporter adhesion recognizes an integral membrane glycoprotein as receptor. *Microbiol.* **149**, 1871–188 (2003)
45. Levine M.M., Ferreccio C., Prado V., Cayazzo M., Abrego P., Martinez J., Maggi L., Baldini M.M., Martin W., Maneval D.: Epidemiologic studies of *Escherichia coli* diarrheal infections in a low socioeconomic level peri-urban community in Santiago, Chile. *Am. J. Epidemiol.* **138**, 849–869 (1993)
46. Labigne-Roussel A.F., Lark D., Schoolnik G., Falkow S.: Cloning and expression of an afimbrial adhesin (AFA-I) responsible for P blood group-independent, mannose-resistant hemagglutination from a pyelonephritic *Escherichia coli* strain. *Infect. Immun.* **46**, 251–259 (1984)
47. Lalioui L., Jouve M., Gounon P., Le Bouguenec C.: Molecular cloning and characterization of the *afa-7* and *afa-8* gene clusters encoding afimbrial adhesins in *Escherichia coli* strains associated with diarrhea or septicemia in calves. *Infect. Immun.* **67**, 5048–5059 (1999)
48. Lalioui L., Le Bouguenec C.: *Afa-8* gene cluster is carried by a pathogenicity island inserted into the tRNA(Phe) of human and bovine pathogenic *Escherichia coli* isolates. *Infect. Immun.* **69**, 937–948 (2001)
49. Le Bouguenec C.: Diarrhea-associated diffusely adherent *Escherichia coli*. *Clin. Microbiol. Rev.* **12**, 180–181 (1999)
50. Le Bouguenec C., Garcia M.I. i wsp. Characterization of AfaE adhesins produced by extraintestinal and intestinal human *Escherichia coli* isolates: PCR assays for detection of Afa adhesins that do or do not recognize Dr blood group antigens. *J. Clin. Microbiol.* **39**, 1738–1745 (2001)
51. Le Bouguenec C., Servin A.L.: Diffusely adherent *Escherichia coli* strains expressing Afa/Dr adhesins (Afa/Dr DAEC): hitherto unrecognized pathogens. *FEMS Microbiol. Lett.* **256**, 185–194 (2006)
52. Li D., Shen M., Xu Y., Liu C., Wang W., Wu J., Luo X., Jia X., Ma Y.: Virulence gene profiles and molecular genetic characteristics of diarrheagenic *Escherichia coli* from a hospital in Western China. *Gut Pathog.* **10**, 35 (2018)
53. Loomis W.P., Moseley S.L.: Translational control of mRNA processing in the F1845 fimbrial operon of *Escherichia coli*. *Mol. Microbiol.* **30**, 843–853 (1998)
54. Lopes L.M., Fabbriotti S.H., Ferreira A.J., Kato M.A., Michalski J., Scaletsky I.C.: Heterogeneity among strains of diffusely adherent *Escherichia coli* isolated in Brazil. *J. Clin. Microbiol.* **43**, 1968–1972 (2005)
55. Lozer D.M., Souza T.B., Monfardini M.V., Vincentini F., Kitagawa S.S., Scaletsky I.C., Spano L.C.: Genotypic and phenotypic analysis of diarrheagenic *Escherichia coli* strains isolated from Brazilian children living in low socioeconomic level communities. *BMC Infect. Dis.* **13**, 418 (2013)
56. Mainil J.G., Jacquemin E., Hérault F., Oswald E.: Presence of *pap*-, *sfa*-, and *afa*-related sequences in necrotizing *Escherichia coli* isolates from cattle: evidence for new variants of the AFA family. *Can. J. Vet. Res.* **61**, 193–199 (1997)
57. Martin H.M., Campbell B.J., Hart C.A., Mpofo C., Nayar H., Singh R., Englyst H., Williams H.F., Rhodes J.M.: Enhanced *Escherichia coli* adherence and invasion in Crohn's disease and colon cancer. *Gastroenterol.* **127**, 80–93 (2004)
58. Martínez-Medina M., García-Gil L.J.: *Escherichia coli* in chronic inflammatory bowel disease: an update on adherent-invasive *Escherichia coli* pathogenicity. *World J. Gastrointest. Pathophysiol.* **5**, 213–227 (2014)
59. Meraz I.M., Arikawa K., Nakamura H., Ogasawara J., Hase A., Nishikawa Y.: Association of IL-8-inducing strains of diffusely adherent *Escherichia coli* with sporadic diarrheal patients with less than 5 years of age. *Braz. J. Infect. Dis.* **11**, 44–49 (2007)
60. Nataro J.P., Kaper J.B., Robins-Browne R., Prado V., Vial P., Levine M.M.: Patterns of adherence of diarrheagenic *Escherichia coli* to HEP-2 cells. *Pediatr. Infect. Dis. J.* **6**, 829–831 (1987)
61. Nataro J.P., Kaper J. B.: Diarrheagenic *Escherichia coli*. *Clin. Microbiol. Rev.* **11**, 142–201 (1998)
62. Niewerth U., Voss T., Frey A., Le Bouguenec C., Baljer G., Franke S., Schmidt M.A.: The AIDA autotransporter system is associated with F18 and Stx2e in *E. coli* isolates derived from pigs suffering from edema disease and postweaning diarrhea. *Clin. Diagn. Lab. Immunol.* **8**, 143–149 (2001)
63. Nowicki B., Svanborg-Eden C., Hull R., Hull S.: Molecular analysis and epidemiology of the Dr hemagglutinin of uropathogenic *Escherichia coli*. *Infect. Immun.* **57**, 446451 (1989)
64. O'Brien C.L., Bringer M.-A., Holt K.E., Gordon D.M., Dubois A.L., Barnich N., Darfeuille-Michaud A., Pavoli P.: Comparative genomics of Crohn's disease-associated adherent-invasive *Escherichia coli*. *Gut* **0**, 1–8 (2016)
65. Ochoa T.J., Lanata C.F. i wsp. Detection of the CS20 colonization factor antigen in diffuse-adhering *Escherichia coli* strains. *FEMS Immunol. Med. Microbiol.* **60**, 186–189 (2010)
66. Okeke I.N., Lamikanra A., Steinruck H., Kaper J.B.: Characterization of *Escherichia coli* strains from cases of childhood

- diarrhea in provincial southwestern Nigeria. *J. Clin. Microbiol.* **38**, 7–12 (2000)
67. Okeke I.N.: Diarrheagenic *Escherichia coli* in sub-Saharan Africa: status, uncertainties and necessities. *J. Infect. Dev. Ctries.* **3**, 817–842 (2009)
 68. Peiffer I., Servin A.L., Bernet-Camard M.F.: Piracy of decay accelerating factor (CD55) signal transduction by the diffusely adhering strain *Escherichia coli* C1845 promotes cytoskeletal F-actin rearrangements in cultured human intestinal INT407 cells. *Infect. Immun.* **66**, 4036–4042 (1998)
 69. Peiffer I., Blanc-Potard A.B., Bernet-Camard M.F., Guignot J., Barbat A., Servin A.L.: Afa/Dr diffusely adhering *Escherichia coli* C1845 infection promotes selective injuries in the junctional domain of polarized human intestinal Caco-2/TC7 cells. *Infect. Immun.* **68**, 3431–3442 (2000)
 70. Pham T.Q., Goluszko P., Popov V., Nowicki S., Nowicki B.J.: Molecular cloning and characterization of Dr-II, a nonfimbrial adhesin-I-like adhesin isolated from gestational pyelonephritis-associated *Escherichia coli* that binds to decay-accelerating factor. *Infect. Immun.* **65**, 4309–4318 (1997)
 71. Poirineau P., Forestier C., Meyer M., Jallat C., Rich C., Malpuech G., De Champs C.: Retrospective case-control study of diffusely adhering *Escherichia coli* and clinical features in children with diarrhea. *J. Clin. Microbiol.* **33**, 1961–1962 (1995)
 72. Prorok-Hamon M., Campbell B.J. i wsp.: Colonic mucosa-associated diffusely adherent *afaC+* *Escherichia coli* expressing *lpfA* and *pks* are increased in inflammatory bowel disease and colon cancer. *Gut*, **63**, 761–770 (2014)
 73. Scaletsky I.C., Michalski J., Torres A.G., Deuguer M.V., Kaper J.B.: Identification and characterization of the locus for diffuse adherence, which encodes a novel afimbrial adhesin found in atypical enteropathogenic *Escherichia coli*. *Infect. Immun.* **73**, 4753–4765 (2005)
 74. Selvarangan R., Goluszko P., Singhal J., Carnoy C., Moseley S., Hudson B., Nowicki S., Nowicki B.: Interaction of Dr adhesin with collagen type IV is a critical step in *Escherichia coli* renal persistence. *Infect. Immun.* **72**, 4827–4835 (2004)
 75. Semiramo N., Gleizes A., Turbica I., Sandre C., Martin-Esteban V., Gorges R., Servin A., Choller-Matin S.: Afa/Dr-expressing, diffusely adhering *Escherichia coli* strain C1845 triggers F1845 fimbria-dependent phosphatidyserine externalization on neutrophil-like differentiated PLB-985 cells through an apoptosis-independent mechanism. *Infect. Immun.* **78**, 2974–2983 (2010)
 76. Servin A.L.: Pathogenesis of Afa/Dr diffusely adhering *Escherichia coli*. *Clin. Microbiol. Rev.* **18**, 264–292 (2005).
 77. Servin A.L.: Pathogenesis of human diffusely adhering *Escherichia coli* expressing Afa/Dr adhesins (Afa/Dr DAEC): current insights and future challenges. *Clin. Microbiol. Rev.* **27**, 823–869 (2014)
 78. Sherlock O., Schembri M.A., Reisner A., Klemm A.: Novel roles for the AIDA adhesin from diarrheagenic *Escherichia coli*: cell aggregation and biofilm formation. *J. Bacteriol.* **186**, 8058–8065 (2004)
 79. Snelling A.M., Macfarlane-Smith L.R., Fletcher J.N., Okeke I.N.: The commonly-used DNA probe for diffusely-adherent *Escherichia coli* cross-reacts with a subset of enteroaggregative *E. coli*. *BMC Microbiol.* **9**, 269 (2009)
 80. Spano L.C., Sadovsky A.D., Segui P.N., Saick K.W., Kitagawa S.M., Pereira F.E., Fagundes-Neto U., Scaletsky I.C.: Age-specific prevalence of diffusely adherent *Escherichia coli* in Brazilian children with acute diarrhea. *J. Med. Microbiol.* **57**, 359–363 (2008)
 81. Taddei C.R., Fasano A., Ferreria A.J., Trabulsi L.R., Martinez M.B.: Secreted autotransporter toxin produced by a diffusely adhering *Escherichia coli* strain causes intestinal damage in animal model assays. *FEMS Microbiol. Lett.* **250**, 263–269 (2005)
 82. Tieng V., Le Bouguéne C., du Merle L., Bertheau P., Desreumaux P., Janin A., Charron D., Toubert A.: Binding of *Escherichia coli* adhesin AfaE to CD55 triggers cell-surface expression of the MHC class I-related molecule MICA. *Proc. Natl. Acad. Sci. USA*, **99**, 2977–2982 (2002)
 83. Valentiner-Branth P., Steinsland H., Fischer T.K., Perch M., Scheutz F., Dias F., Aaby P., Molbak K., Sommerfelt H.: Cohort study of Guinean children: incidence, pathogenicity, conferred protection, and attributable risk for enteropathogens during the first 2 years of life. *J. Clin. Microbiol.* **41**, 4238–4245 (2003)
 84. Wang L., Zhang S., Zheng D., Fujikara S., Wakabayashi A., Okahata K., Suzuki M., Saeki A., Nakamura H., Hara-Kudo Y., Kage-Nakadai E., Nishikawa Y.: Prevalence of diarrheagenic *Escherichia coli* in food and fecal specimens obtained from cattle, pigs, chickens, asymptomatic carriers, and patients in Osaka and Hyogo, Japan. *Jpn. J. Infect. Dis.* **70**, 464–469 (2017)
 85. Yamamoto T., Koyama Y., Matsumoto M., Sonoda E., Nakayama S., Uchimura M., Paveenkittiporn W., Tamura K., Yokota T., Echeverria P.: Localized, aggregative, and diffuse adherence to HeLa cells, plastic, and human small intestines by *Escherichia coli* isolated from patients with diarrhea. *J. Infect. Dis.* **166**, 1295–1310 (1992)